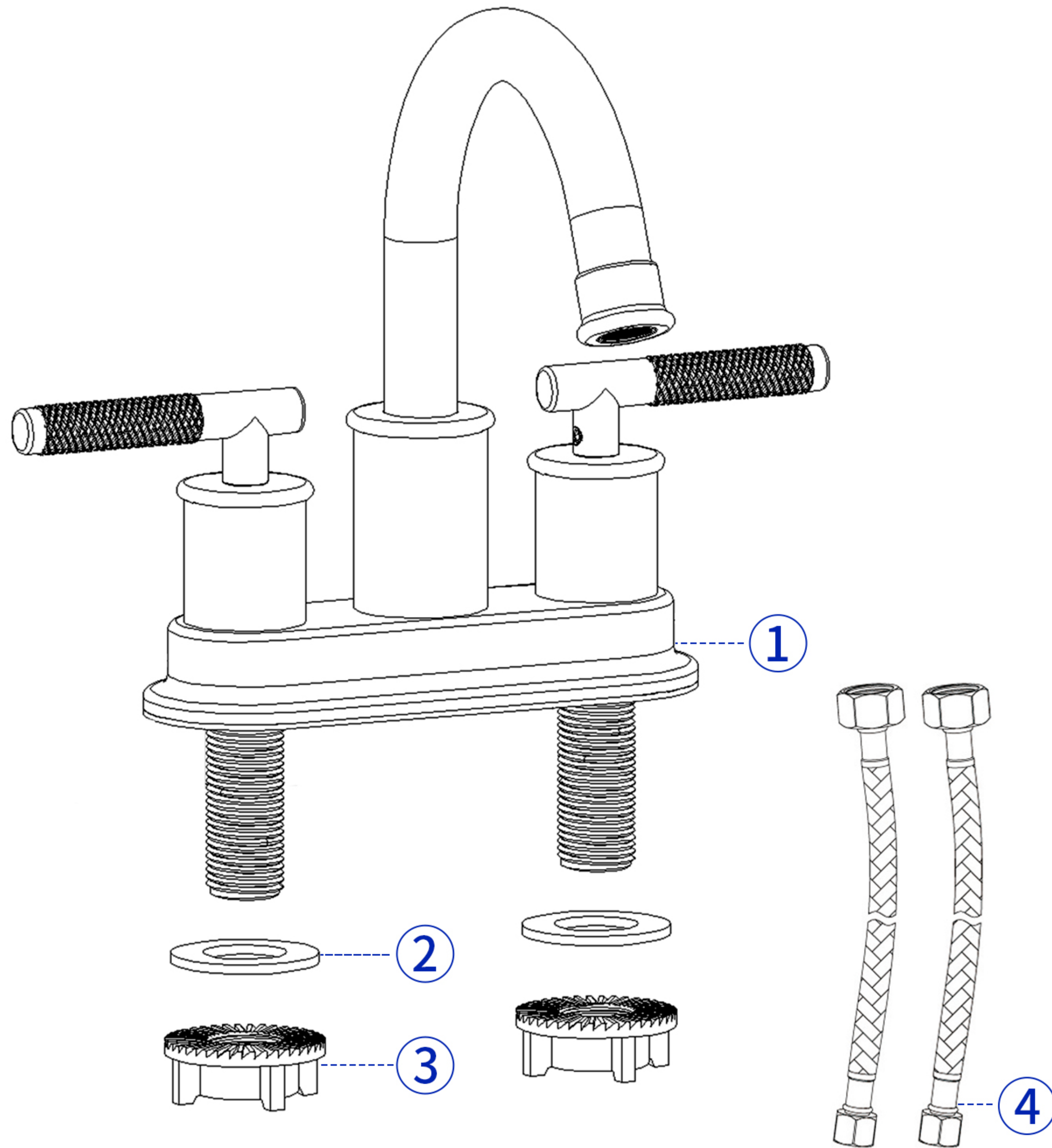
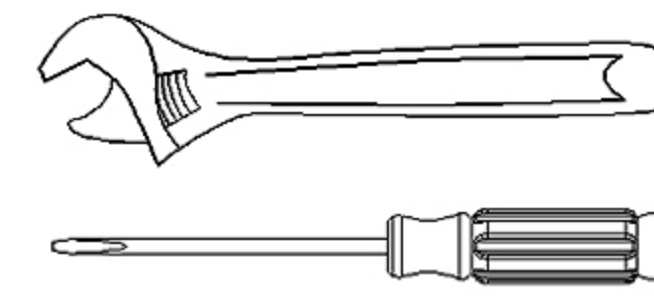


Double Handle Bathroom Faucet Installation Manual



- ① Bathroom Faucet ② O-Ring
- ③ Lock Nut ④ Cold&Hot Hose

DIY Tools:

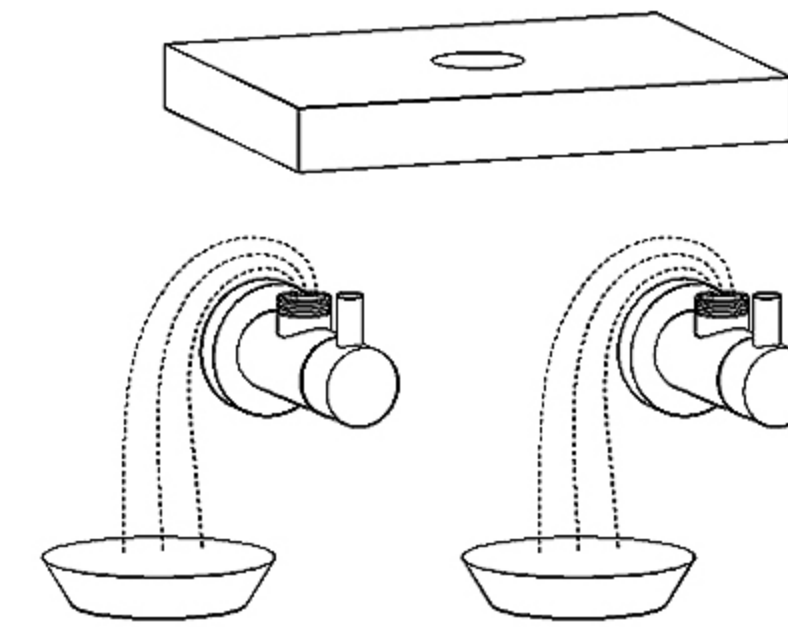


adjustable Wrench

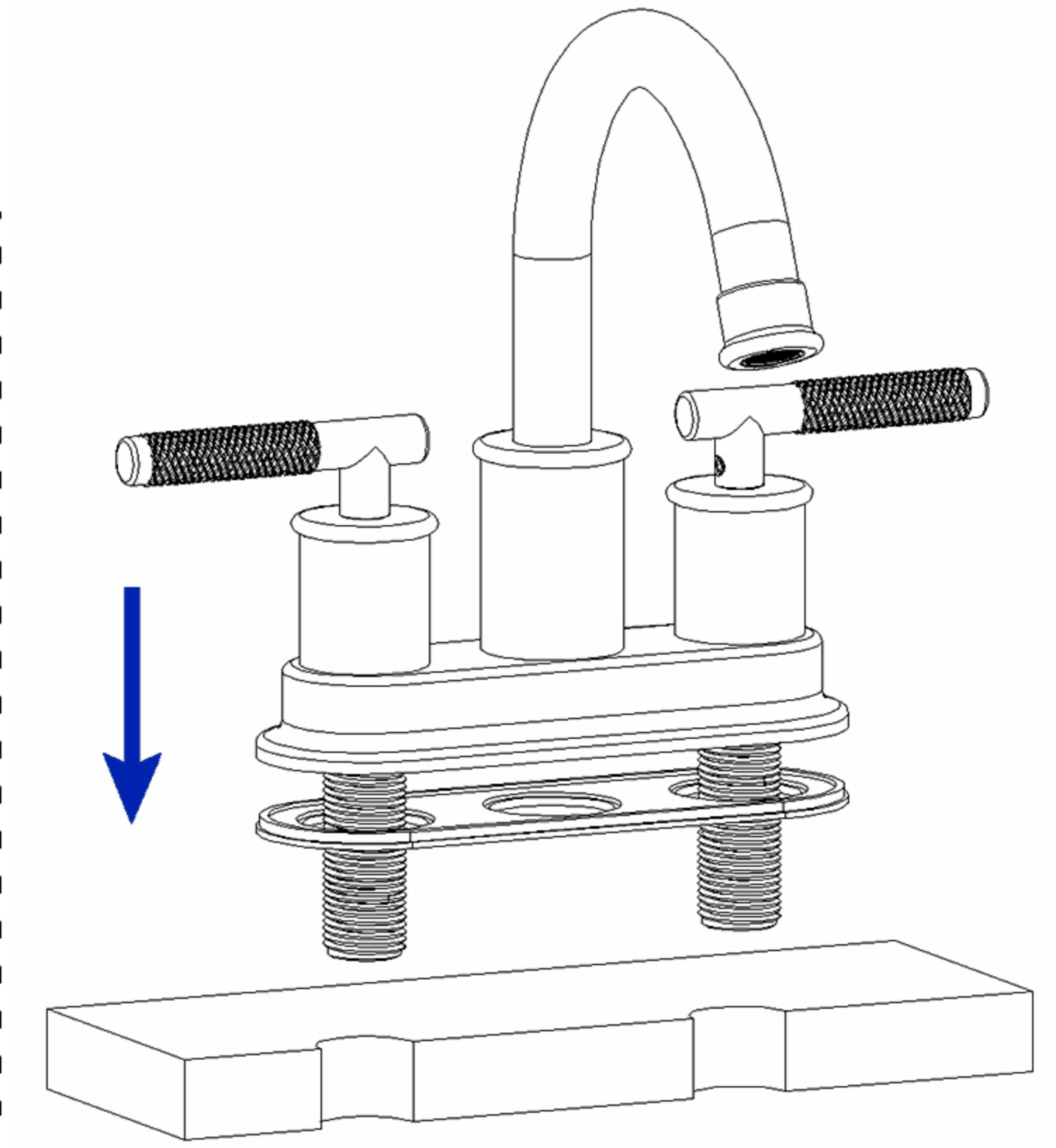


Gloves

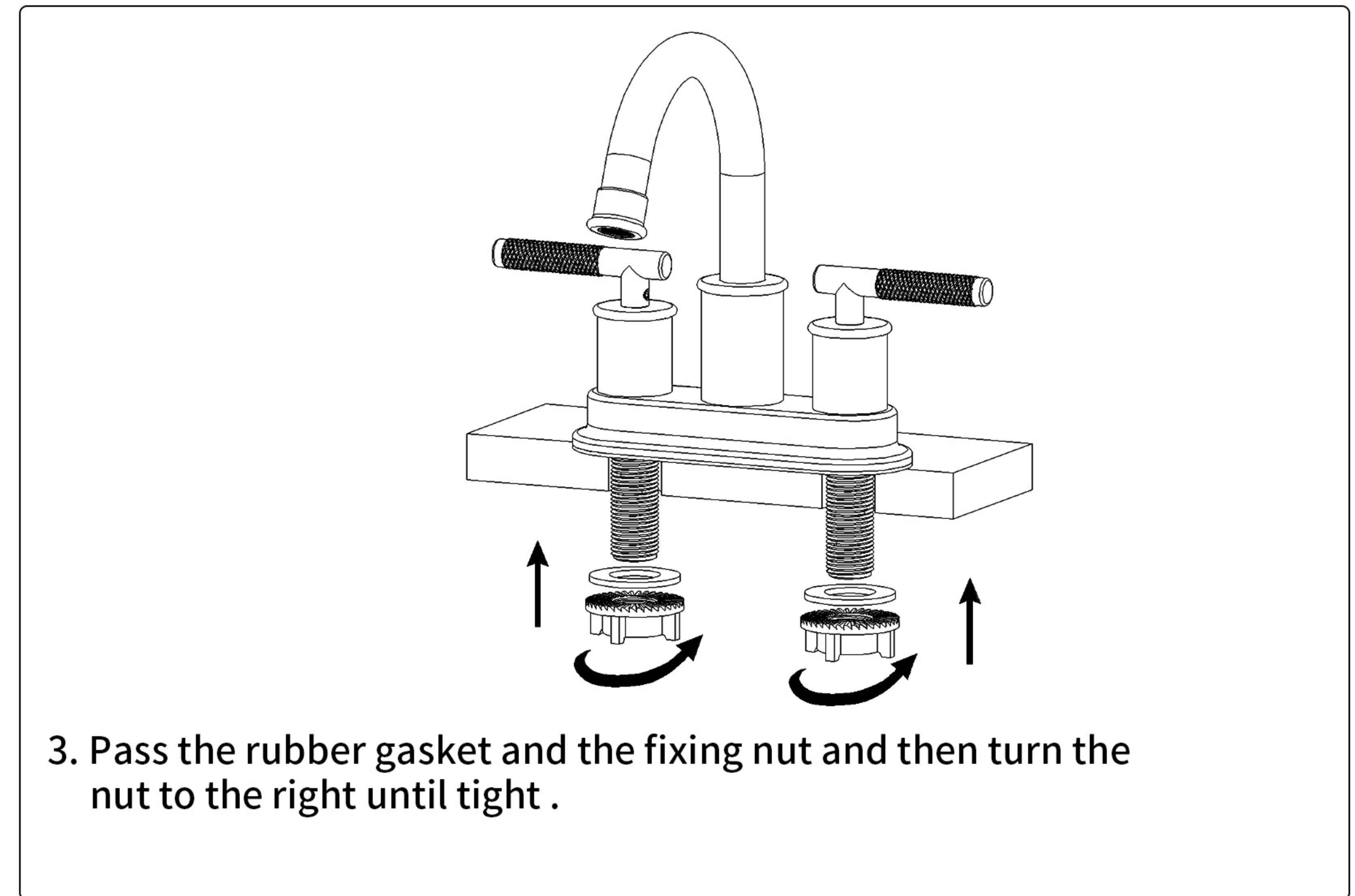
Prepare wrenches and gloves before installation. The wrench is used to tighten the nut and gloves are used to protect hands.



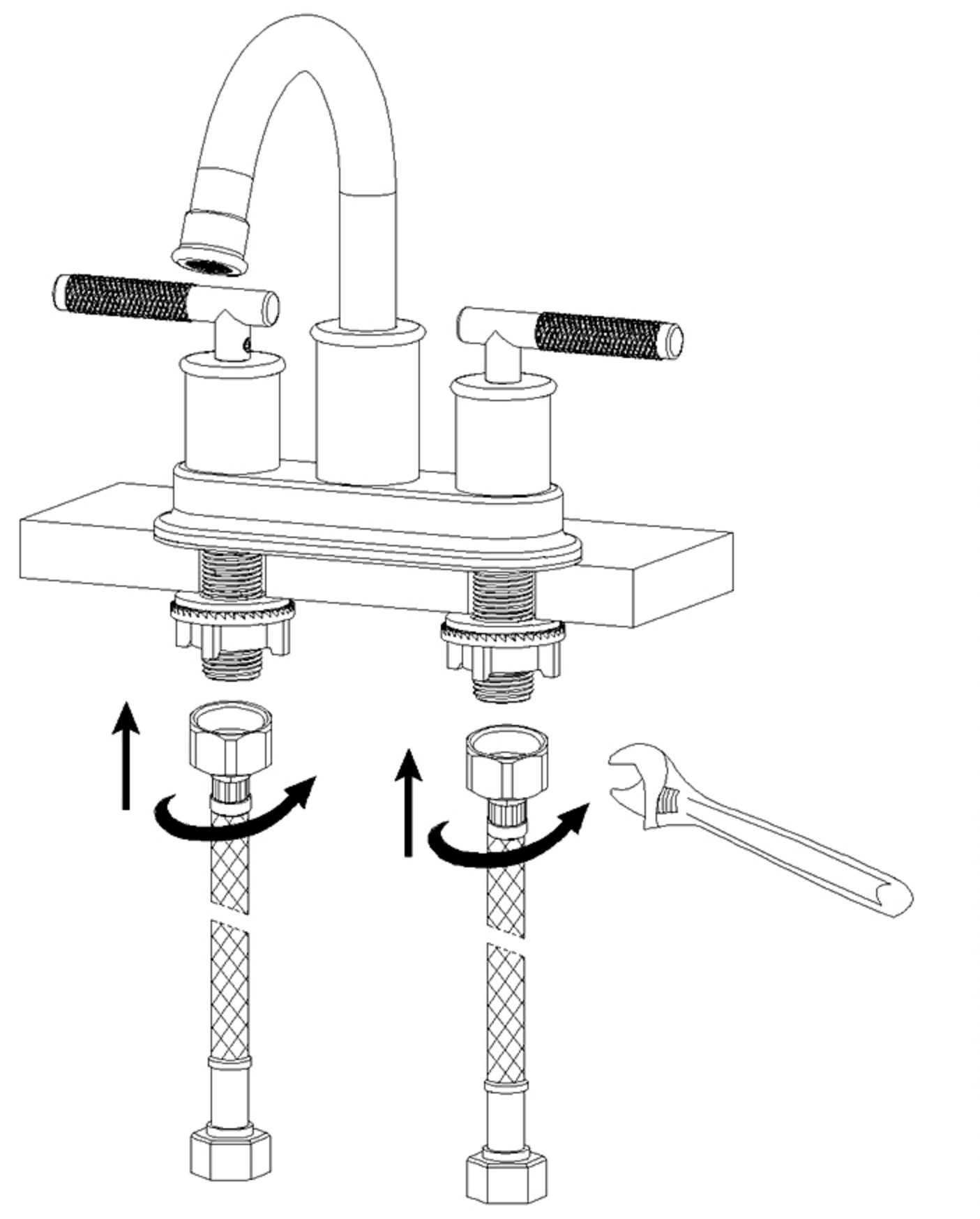
1. Flush any contaminants in your supply lines for 30-60 seconds until water is clean.



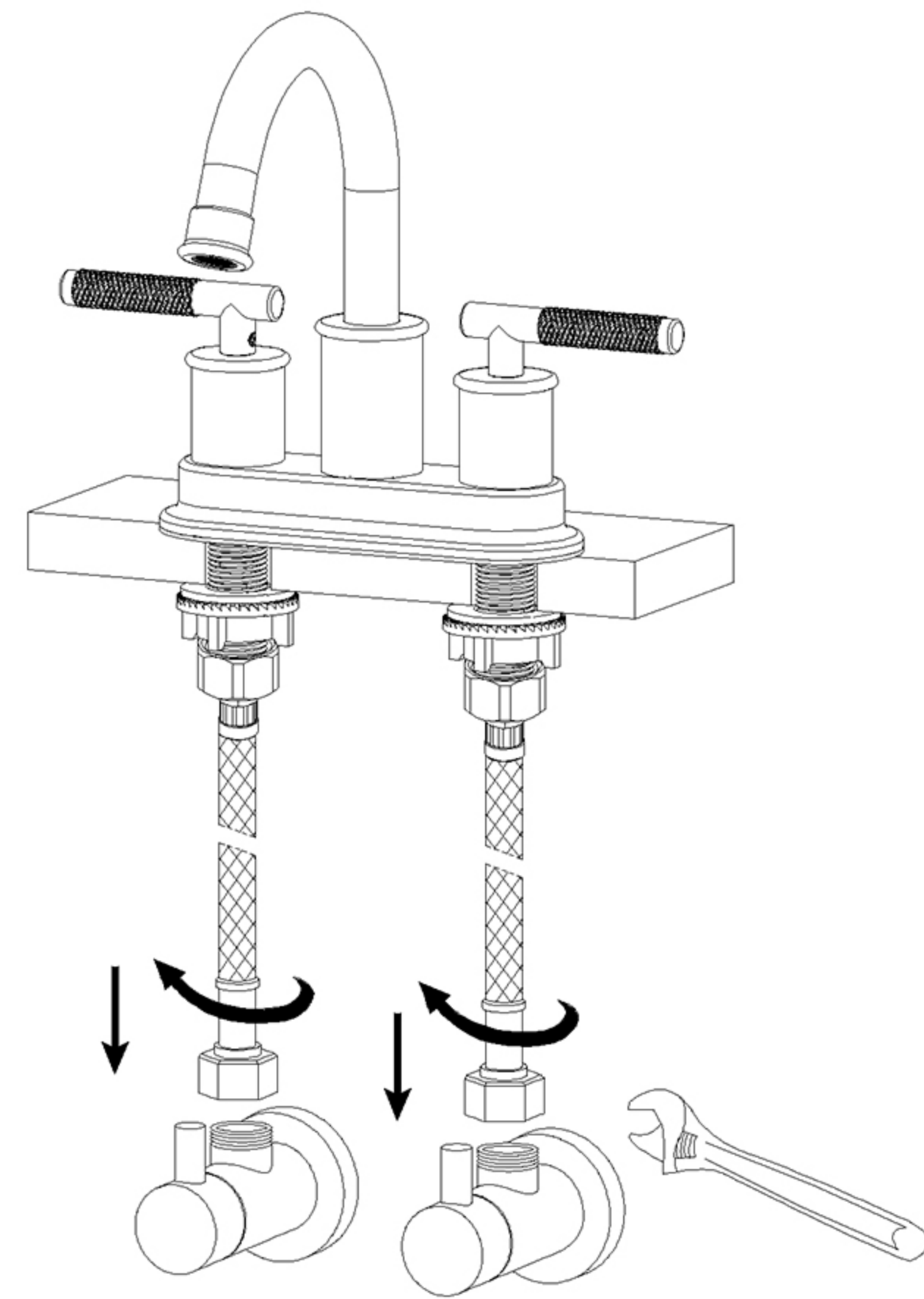
2. Insert the faucet into counter top.



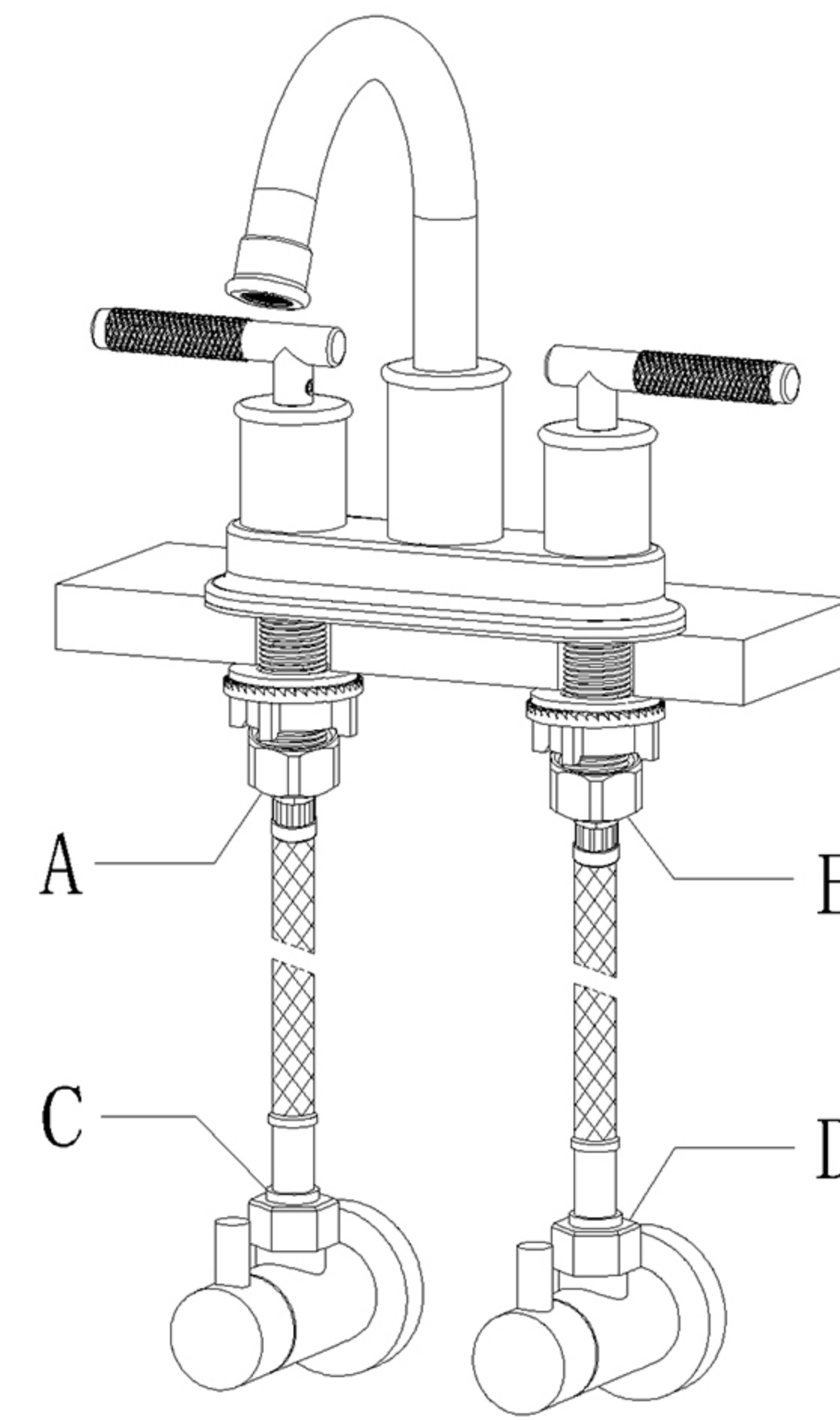
3. Pass the rubber gasket and the fixing nut and then turn the nut to the right until tight.



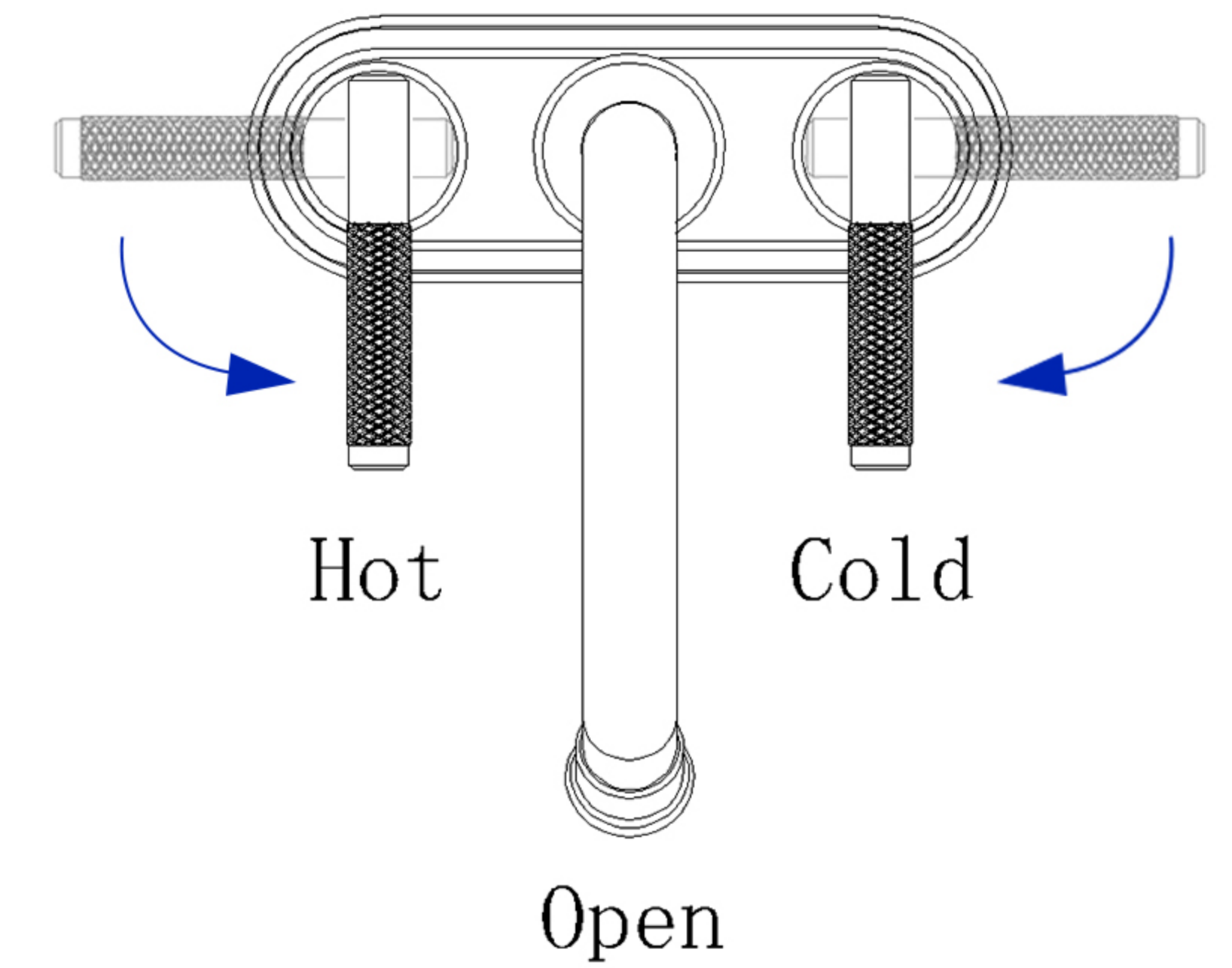
4. Connect and tighten the supply hoses.



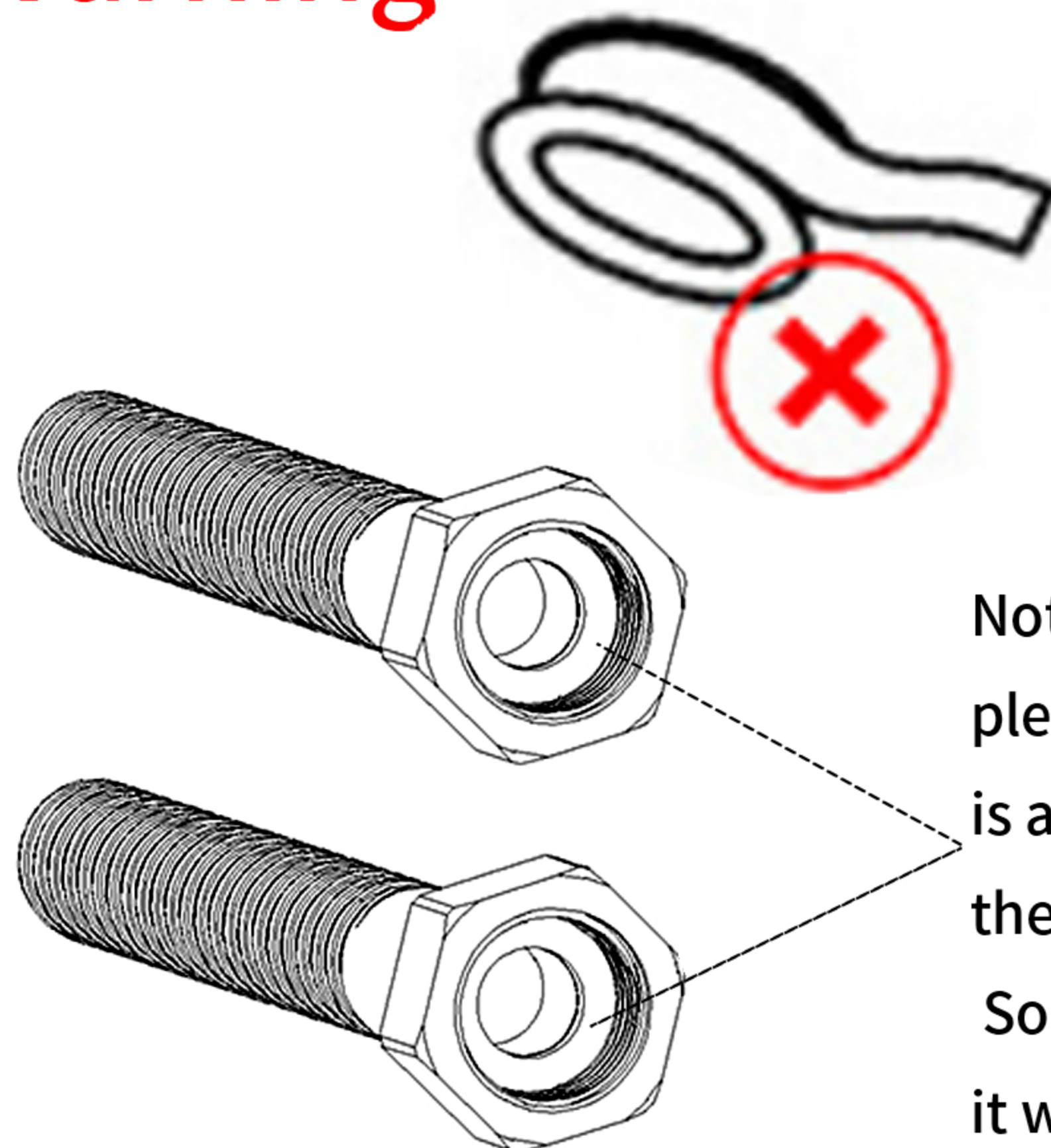
5. Connect hot and cold water lines to the water supply by wrench.



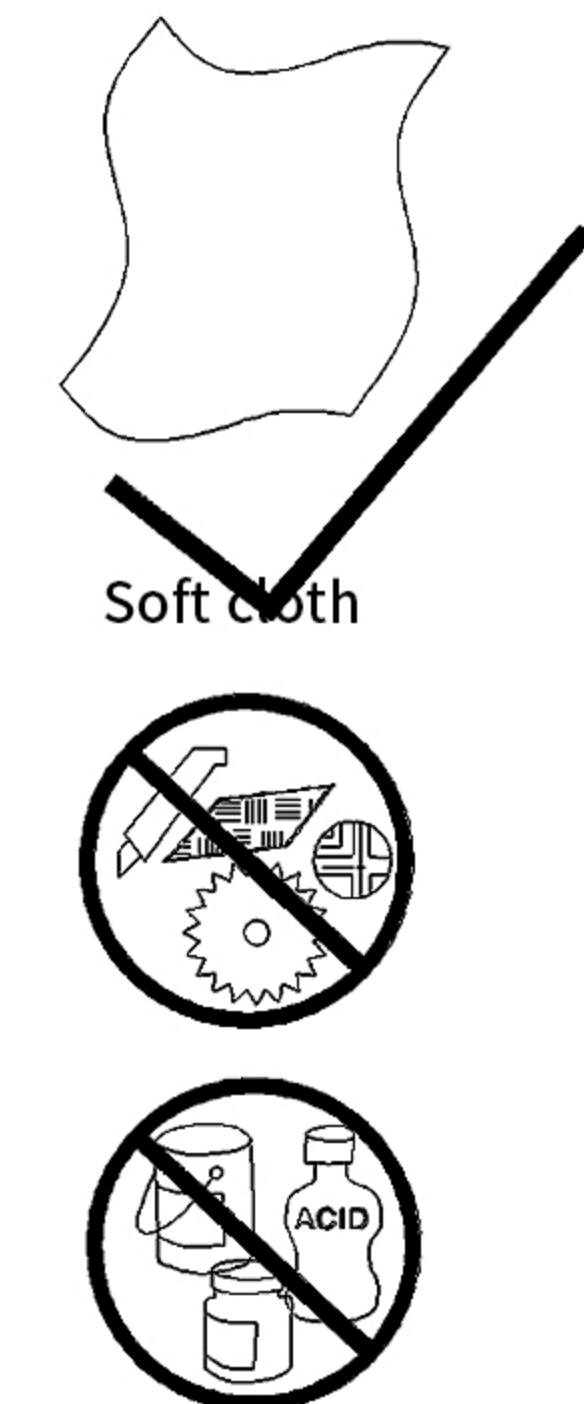
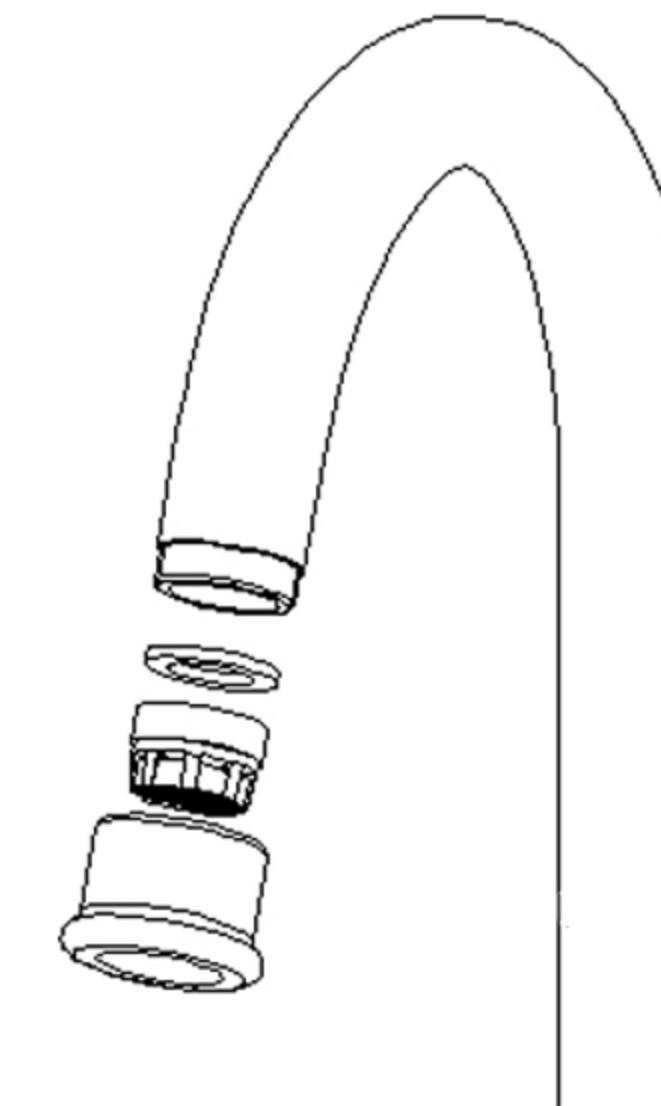
6. Check for leaks at the (A,B,C,D) connections. Retighten if necessary.



Warning



Note: Before installation, please check whether there is a rubber inside the pipe, the rubber can prevent leakage. So do not install with tape, it will cause leakage.



Maintenance:

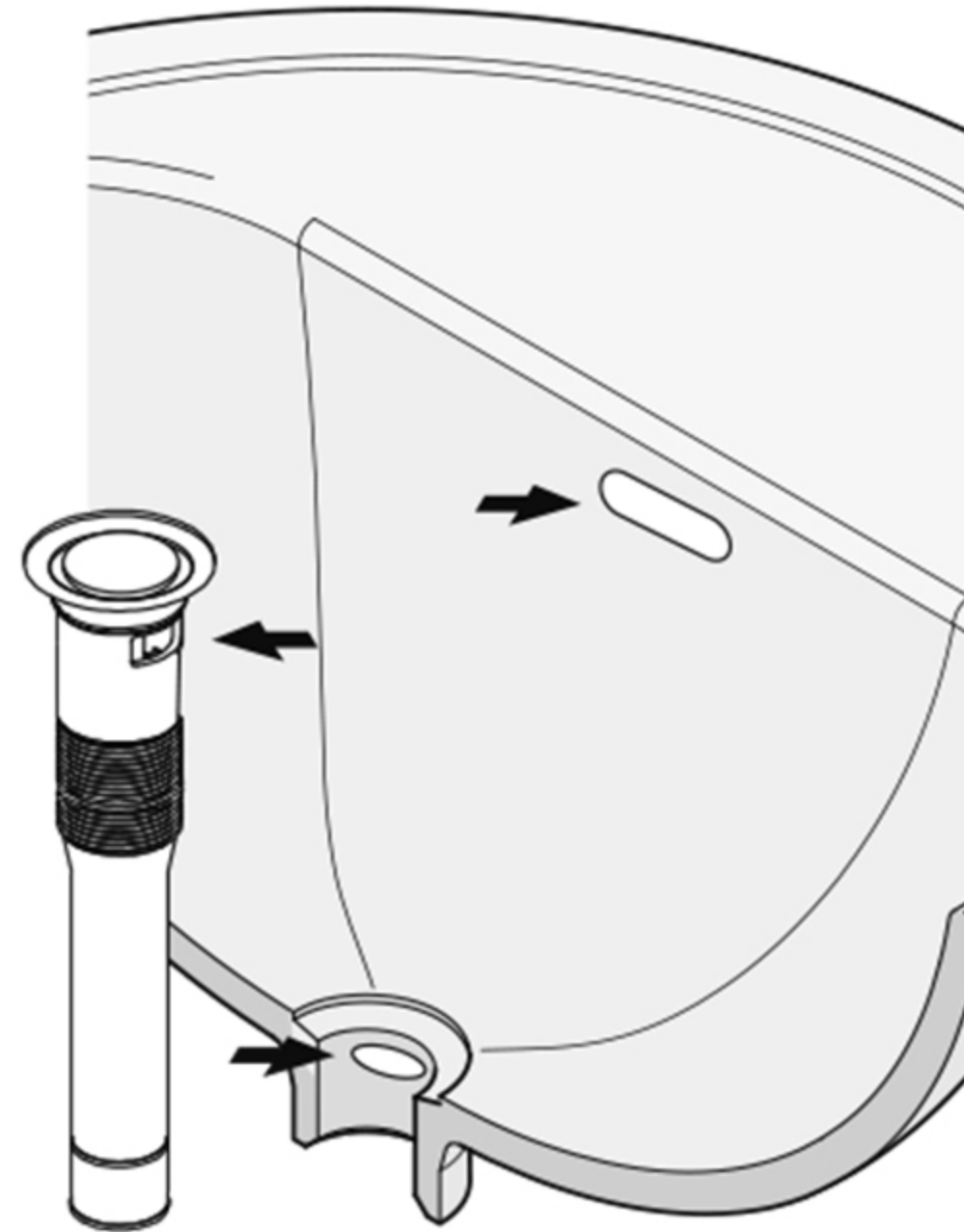
1. The water flow becomes smaller because impurities in the water clog the sprayer bubbler. Please turn on the spray head and clean the sprayer bubbler.
2. We suggest that you clean the surface of your faucet and the washer as shown often. Do not use strong detergents or harsh cleansers.

Pop-up Drain with Overflow Installation Guide

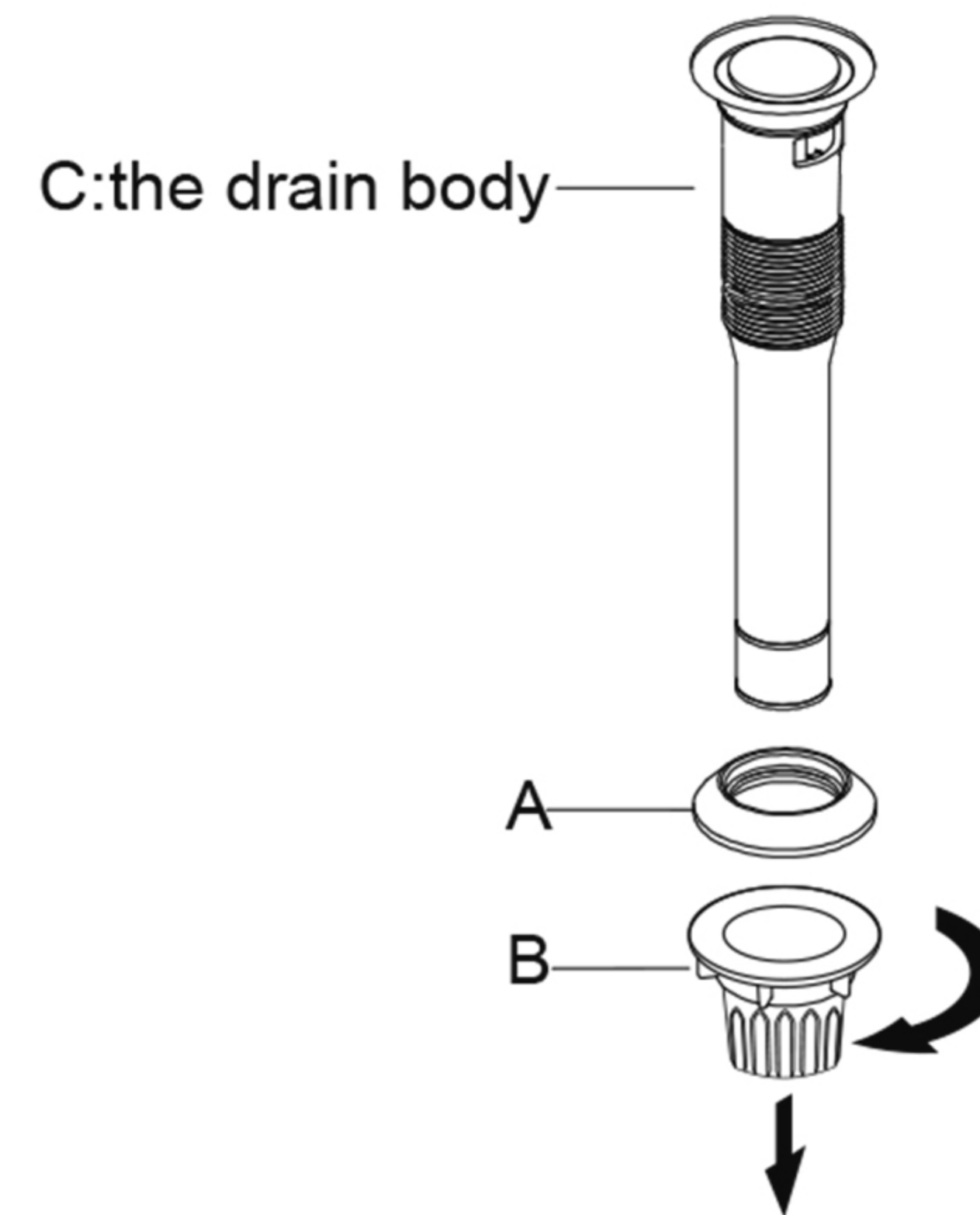


NOTES:

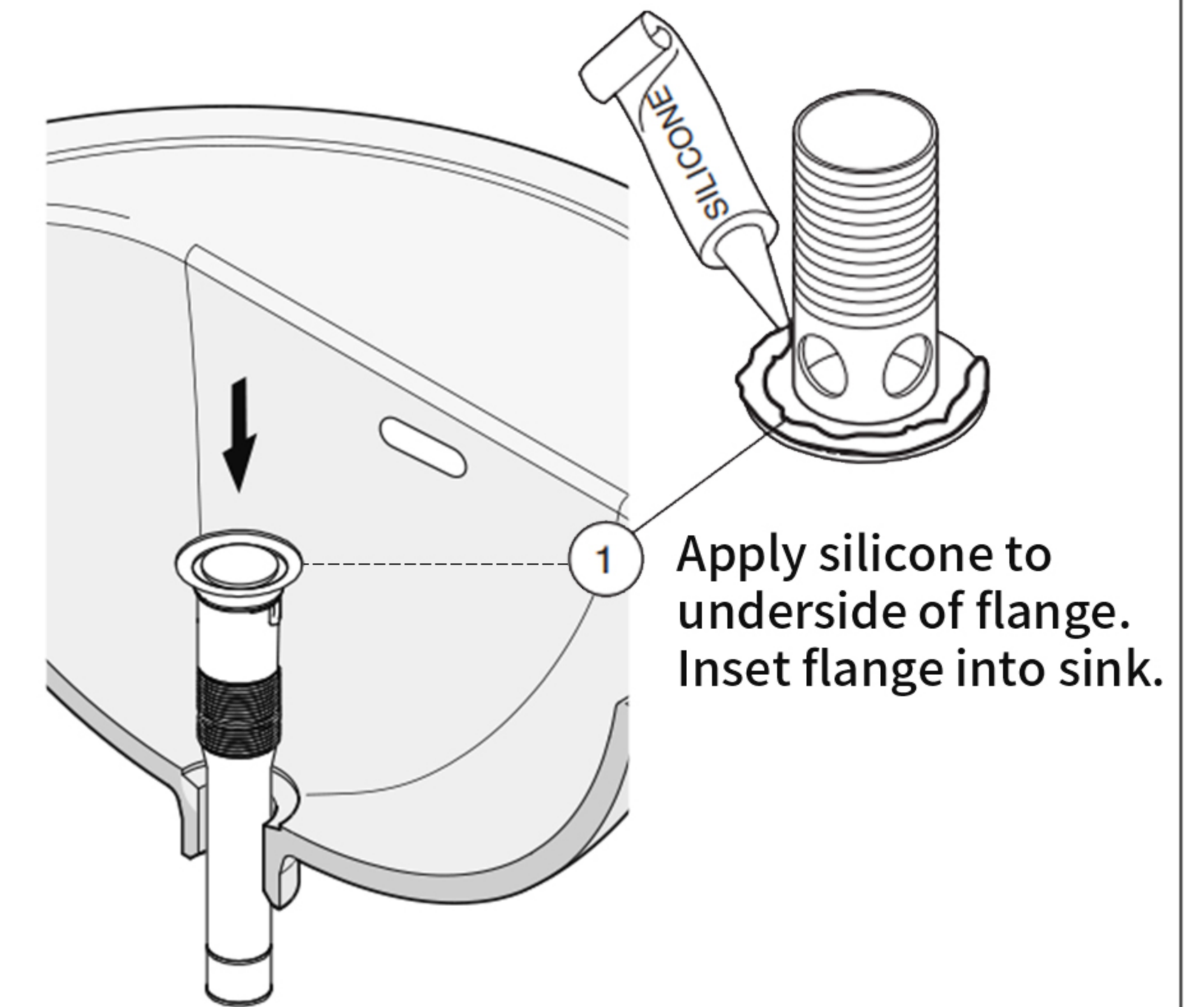
- Fits for sink WITH overflow hole.
- Clean the sink hole, make sure to remove debris.
- Please avoid using plumber's putty. The seal on top is leak-free. Plumber's putty might cause damage.
- Silicone and plumbing tape can be use for sealing requirement.



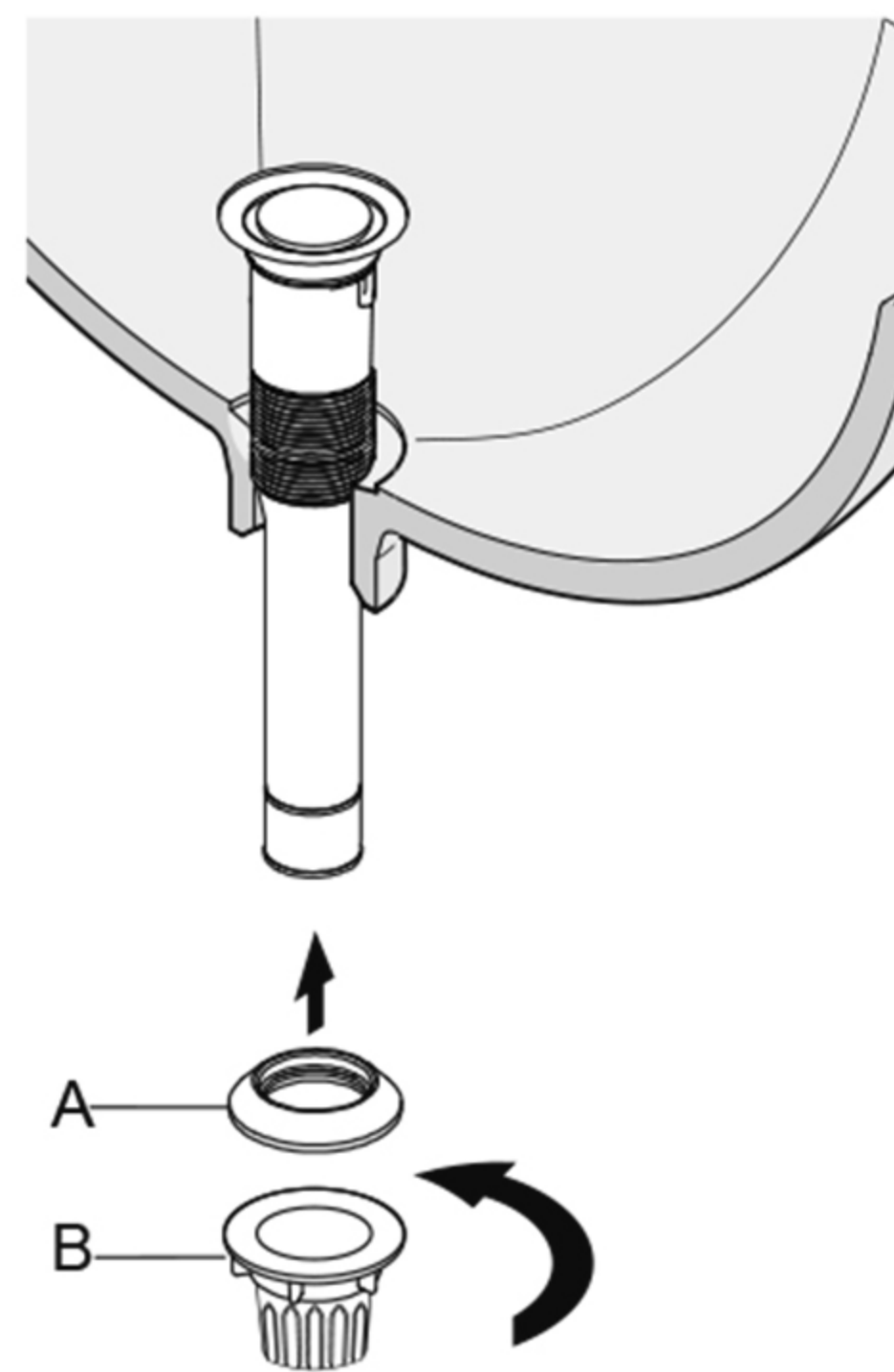
1 Unscrew components A & B to the seal.



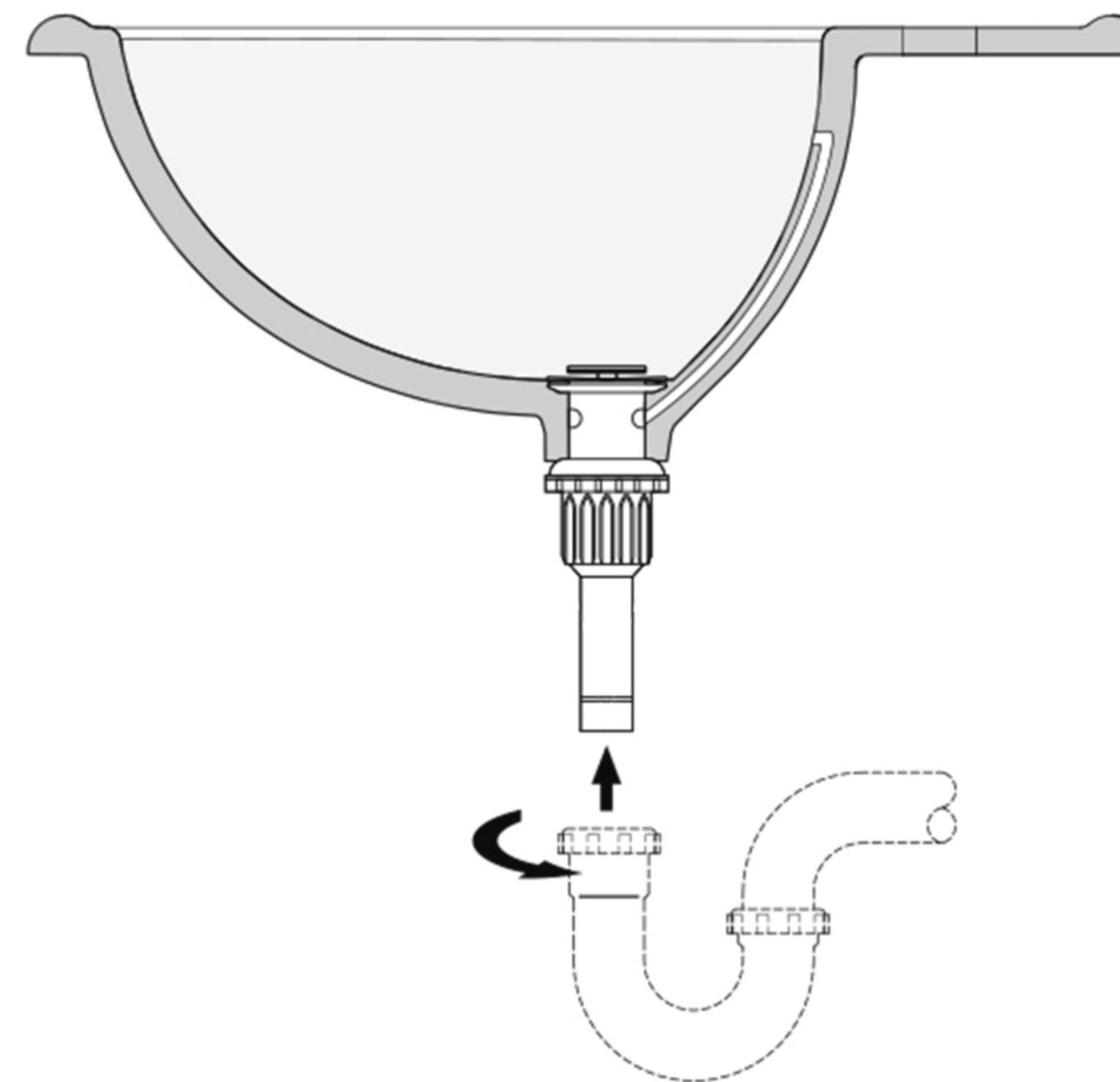
2 Slide the drain body C through the hole in the sink.



3 Screw components A & B back on as shown.



4 Connect the rear end of the drain to the Drain Pipe.



5 Push to activate.

