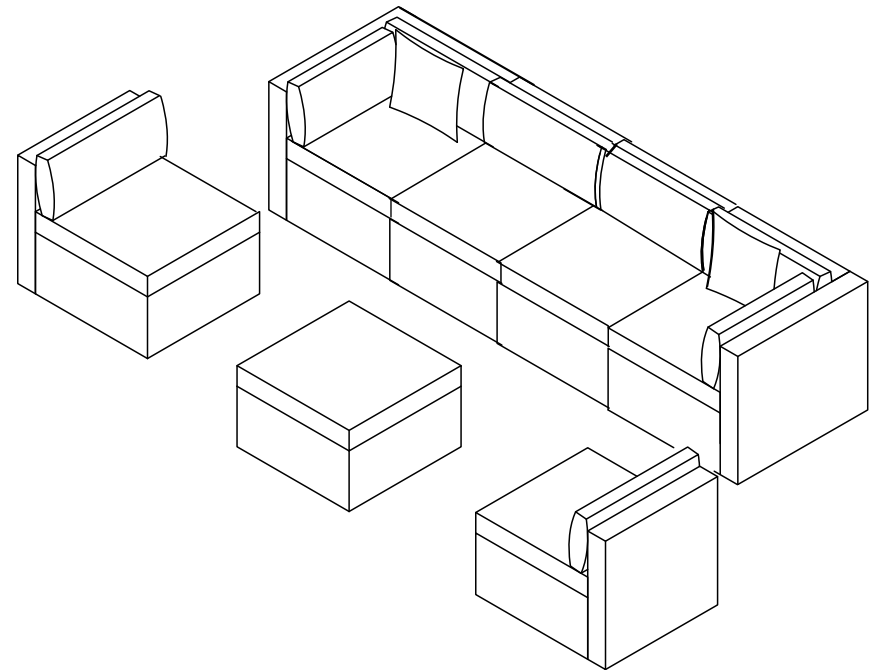
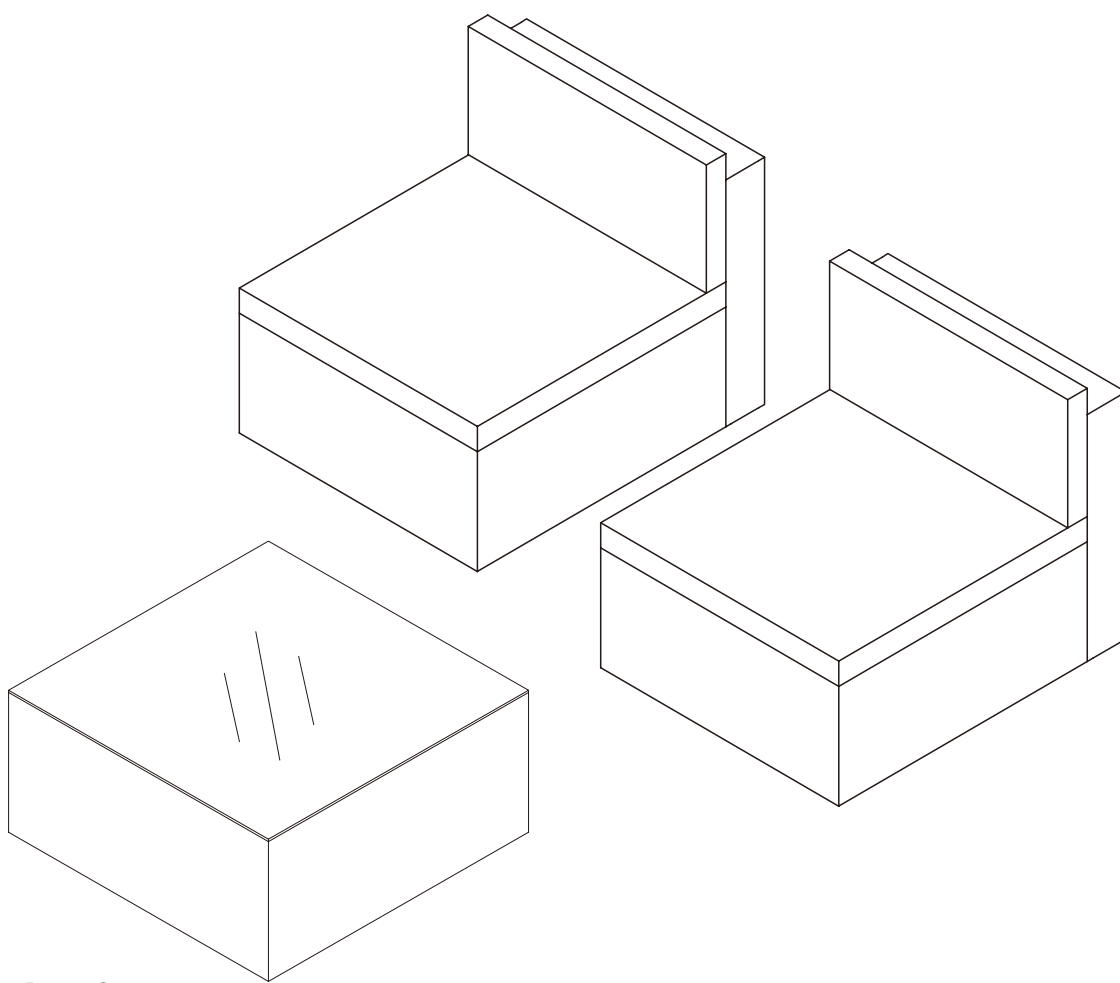


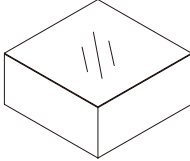
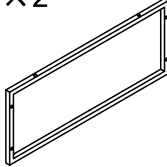
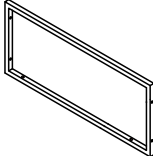
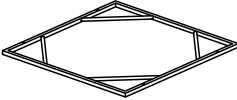
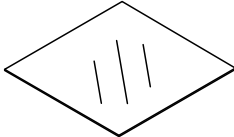
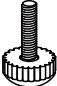


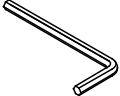
# 7PCS RATTAN SOFA SET









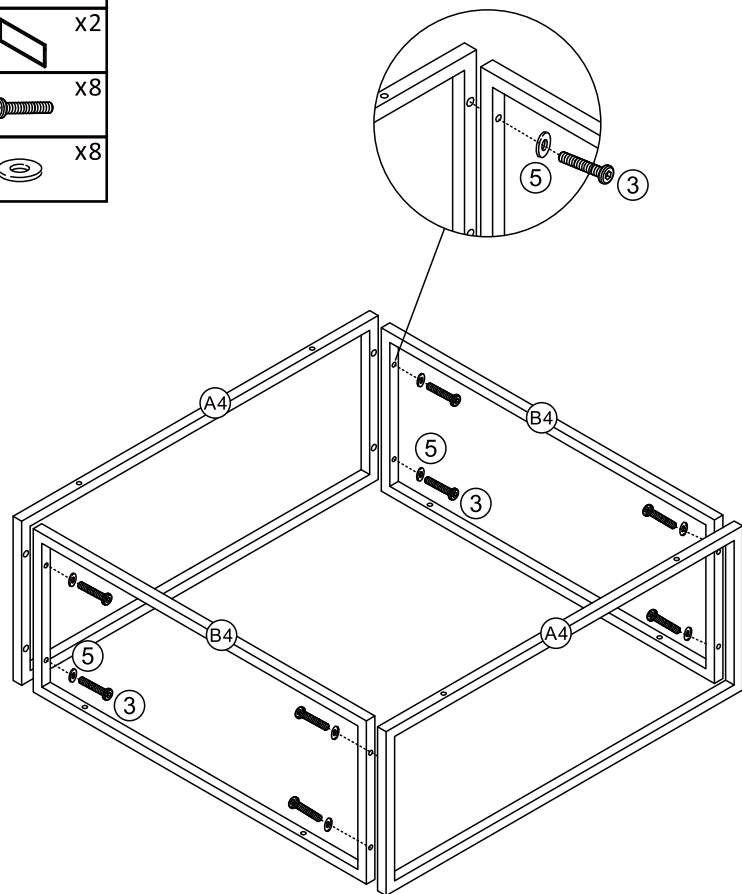
**Dear Customers,**

Thank you for purchasing our product. Please read this instruction manual carefully before attempting to install.




 <b>COFFEE TABLE</b> <b>X1</b>		
<b>(A4) X 2</b> 	<b>(B4) X 2</b> 	<b>(C4) X 1</b> 
<b>(I) X 1</b> 	<b>(1) X 4</b> 	<b>(3) X 12</b>  35mm
<b>(5) X 12</b> 	<b>(7) X 1</b> 	

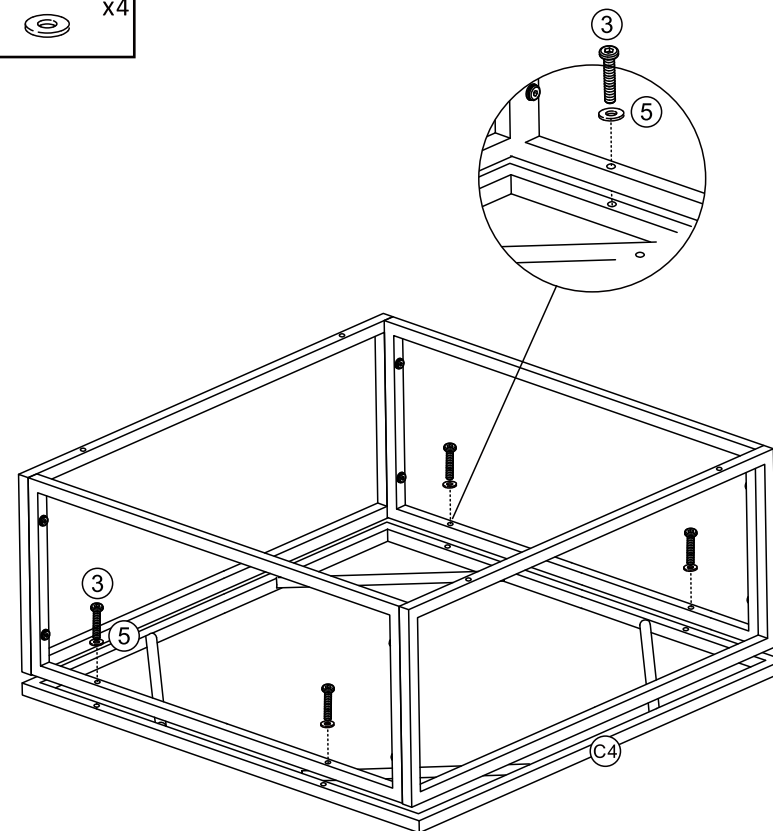
1

(A4)		x2
(B4)		x2
(3)		x8
(5)		x8



2

(C4)		x1
(3)		x4
(5)		x4



**Note:** During the assembly, please first half-tighten all the screws into the holes. After all the screws are set, fully tighten them.

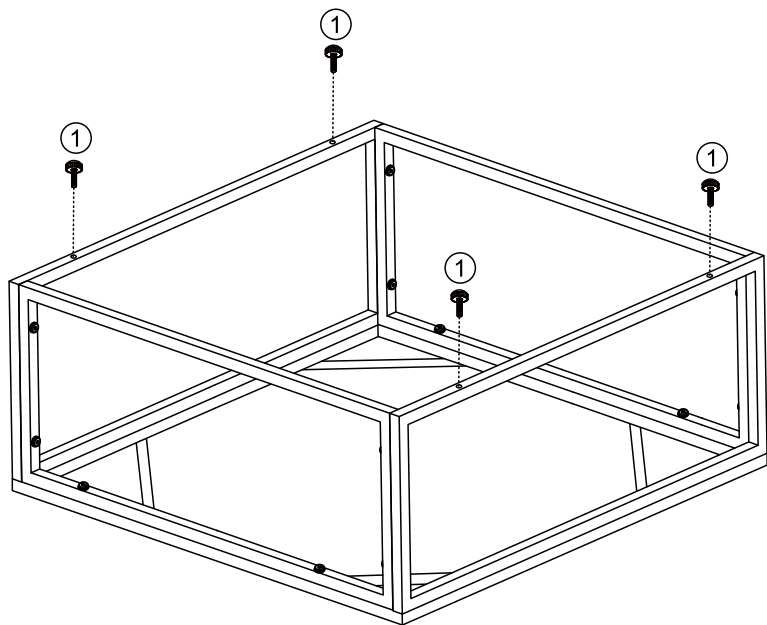
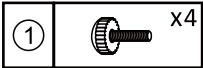
EN



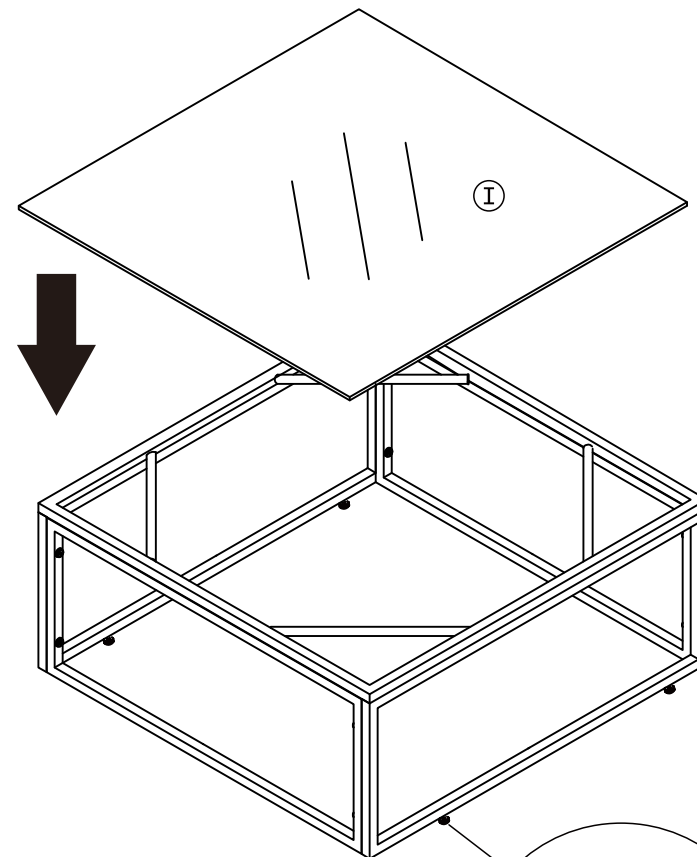
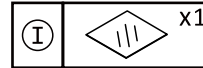
**Note:** During the assembly, please first half-tighten all the screws into the holes. After all the screws are set, fully tighten them.


EN

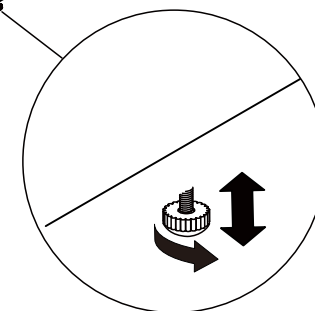
3

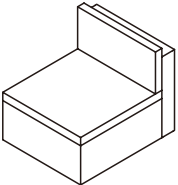
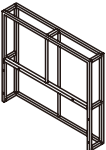
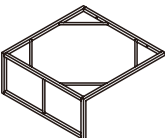
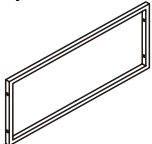
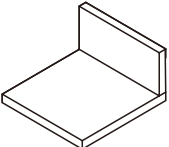
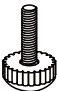






4








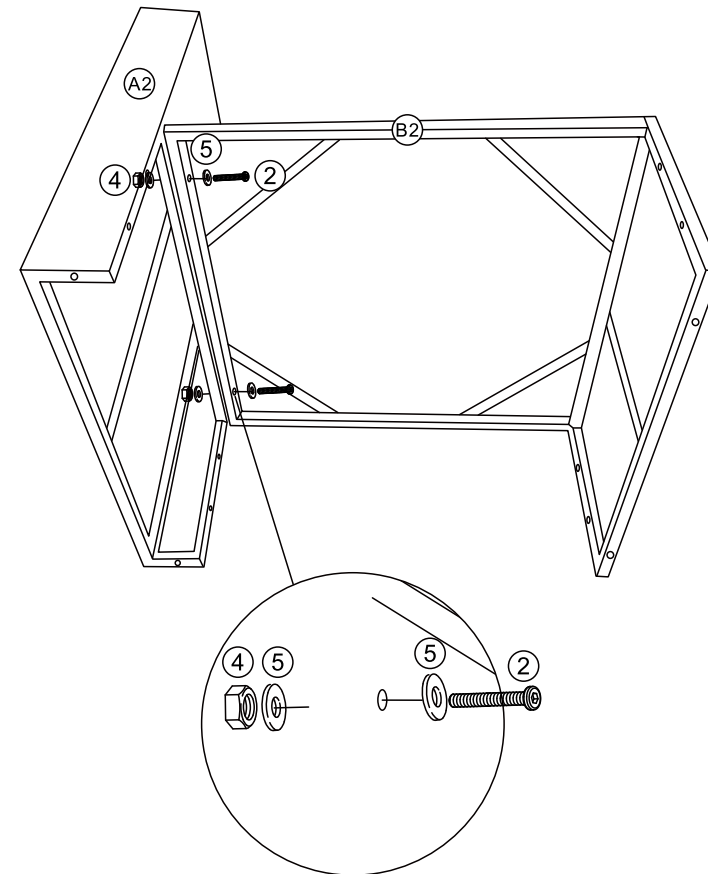
 **Note:** Screw in the adjustable feet to keep the table balanced.



 <h2 style="text-align: center;">ARMLESS SECTION</h2> <h3 style="text-align: center;">x2</h3>		
<p>Ⓐ2 x 2</p> 	<p>Ⓑ2 x 2</p> 	<p>Ⓓ x 4</p> 
<p>Ⓒ x 2</p> 	<p>① x 8</p> 	<p>② x 12</p>  <p>55mm</p>
<p>③ x 8</p>  <p>35mm</p>	<p>④ x 12</p> 	<p>⑤ x 32</p> 

1

Ⓐ2		x1	Ⓑ2		x1	②		x2	④		x2
⑤		x4									



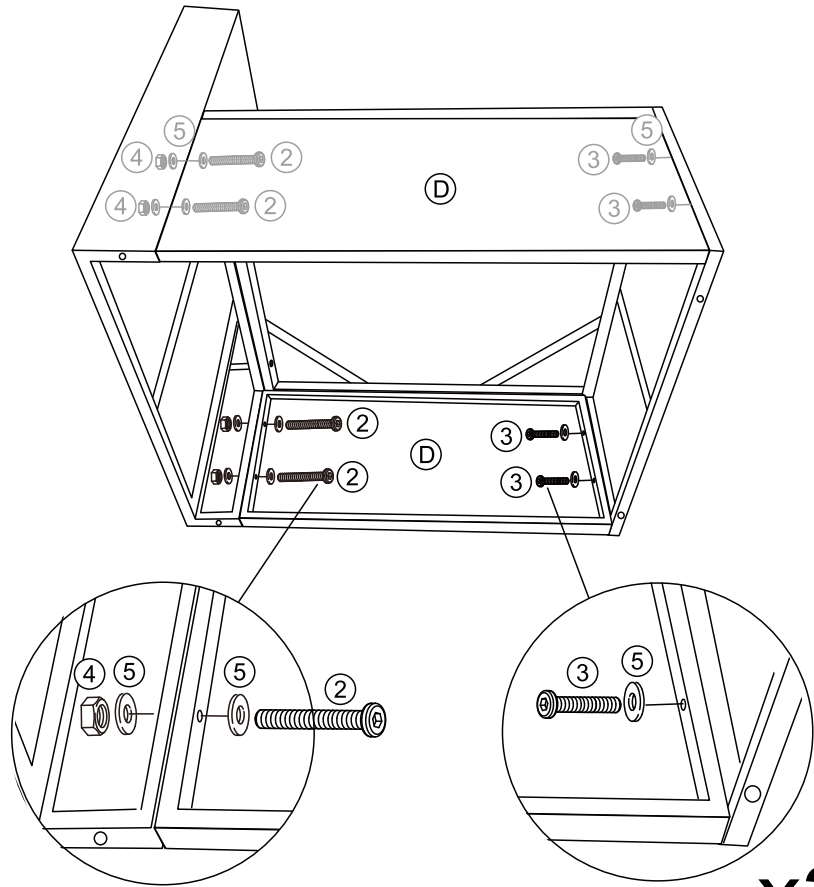
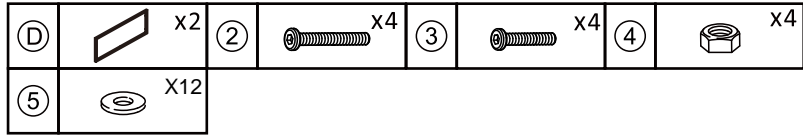
x2



**Note:** During the assembly, please first half-tighten all the screws into the holes. After all the screws are set, fully tighten them.

EN

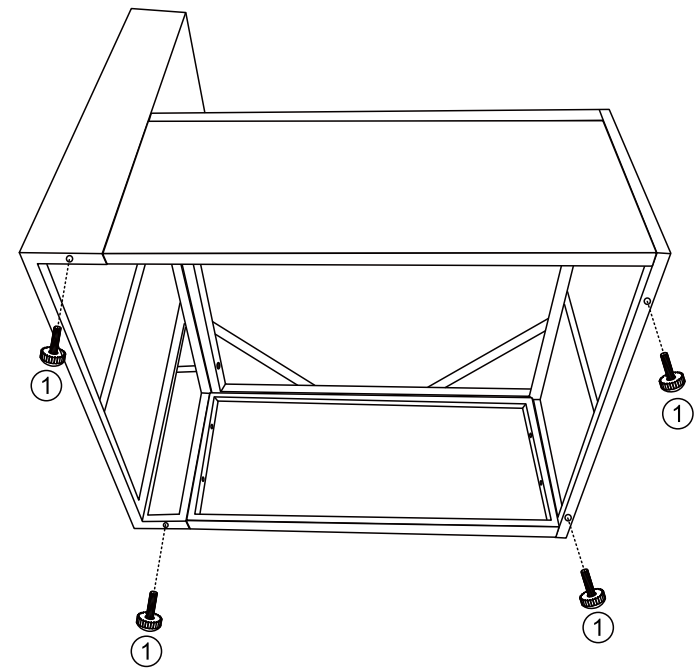
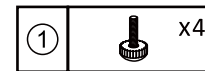
2



**Note:** During the assembly, please first half-tighten all the screws into the holes. After all the screws are set, fully tighten them.

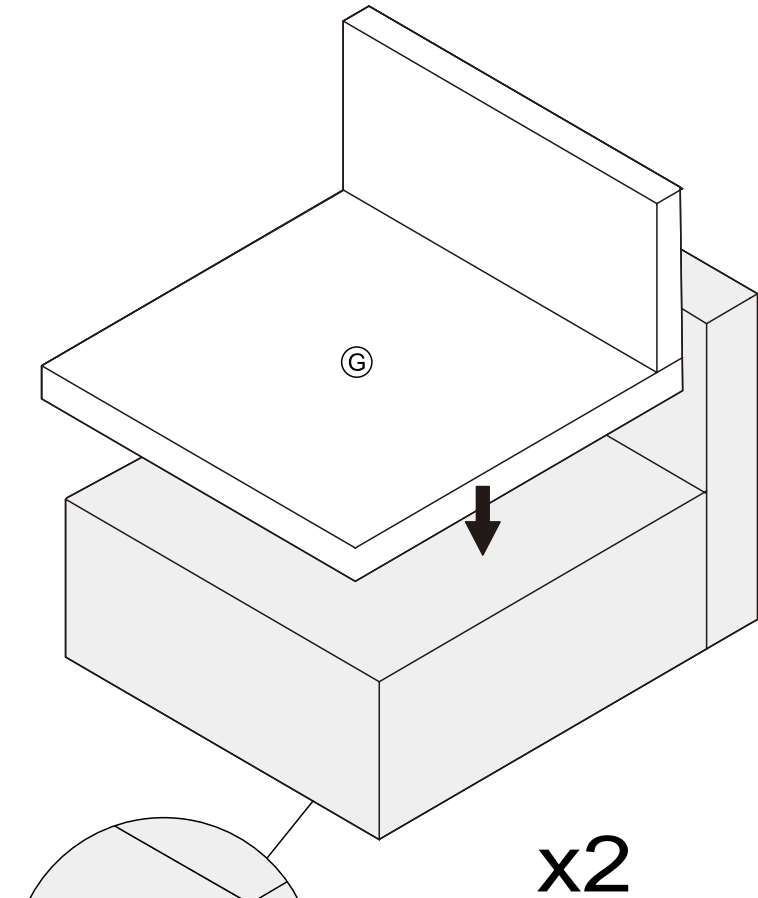
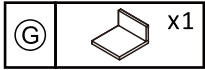
EN


3




x2

4



 **Note:** Screw in the adjustable feet to keep the chair balanced. EN

5

 **Note:** Please use the provided fasteners clip to fix the bottom of adjacent seats. EN

