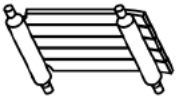





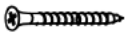
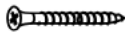



WOODEN CHAIR INSTRUCTION

| | | | | |
|---|---|---|---|---|
|  |  |  |  |  |
| A 1 PC | B 1 PC | C 2 PCS | D 2 PCS | E 2 PCS |
|  |  |  |  | |
| F 2 PCS | G 4x45MM 4 PCS | H 3.5x35MM 18 PCS | I 8x150MM 2 PCS | |

