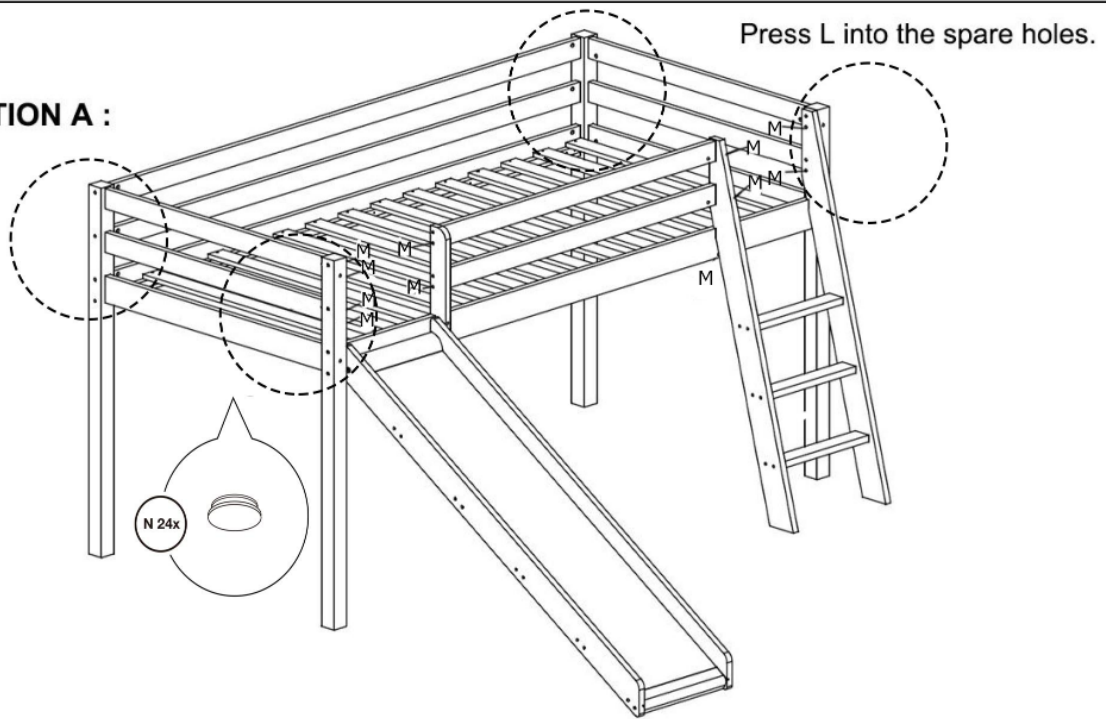



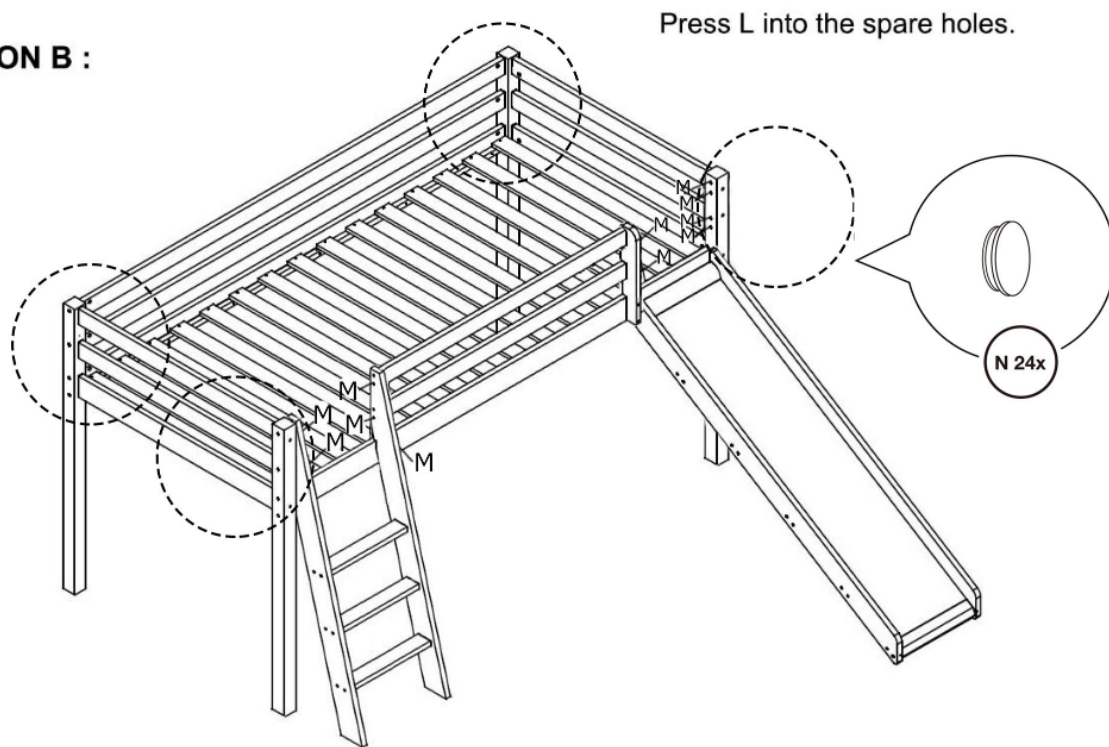





**OPTION A :**



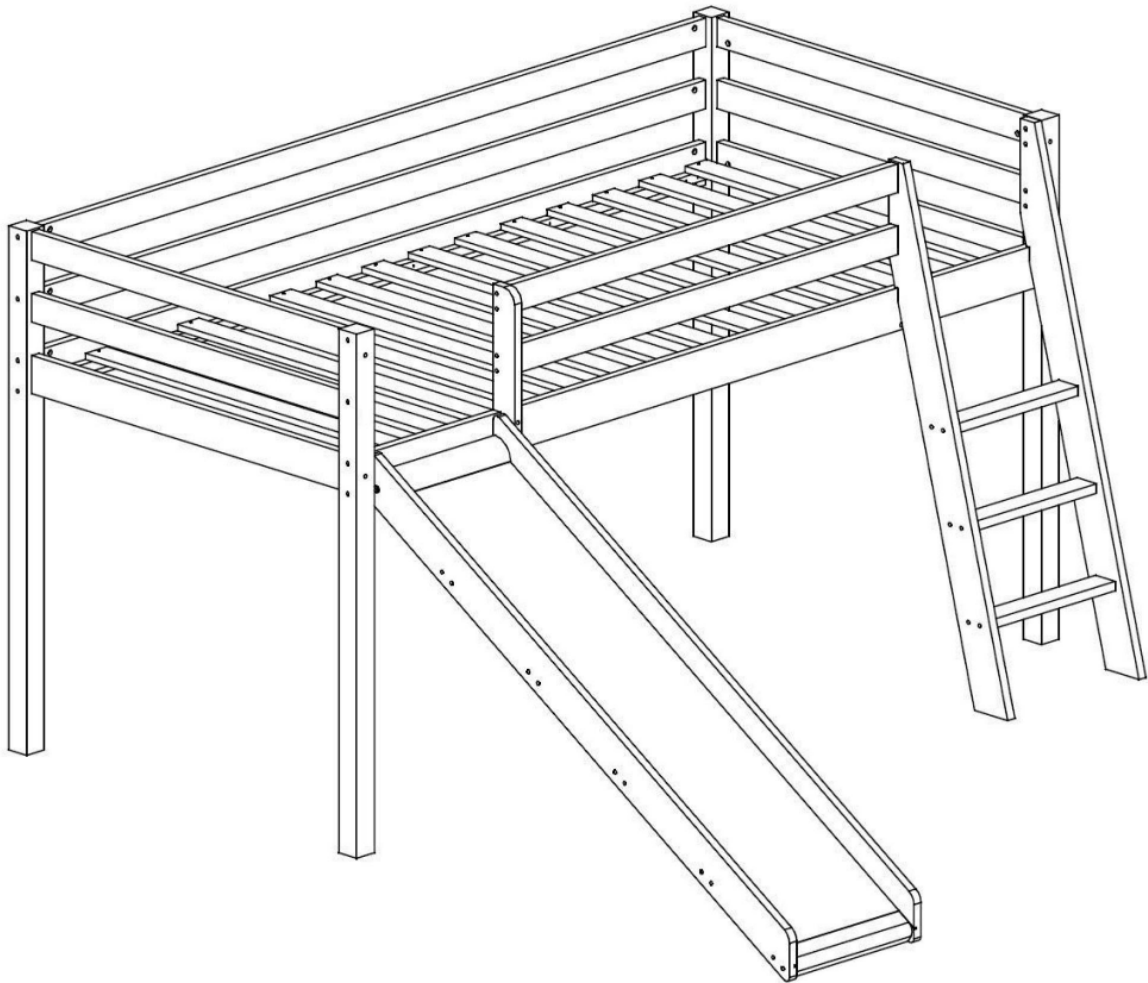
N		Ø10mm	24	M			Ø8mm	11
---	---	-------	----	---	---	---	------	----

**OPTION B :**

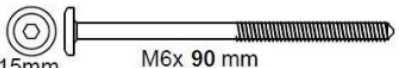

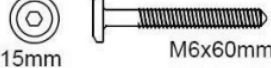
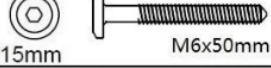
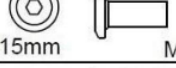
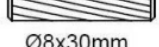




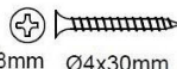
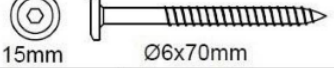

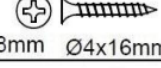

N		Ø10mm	24	M			Ø8mm	11
---	---	-------	----	---	---	---	------	----

# Slide Mid Sleeper

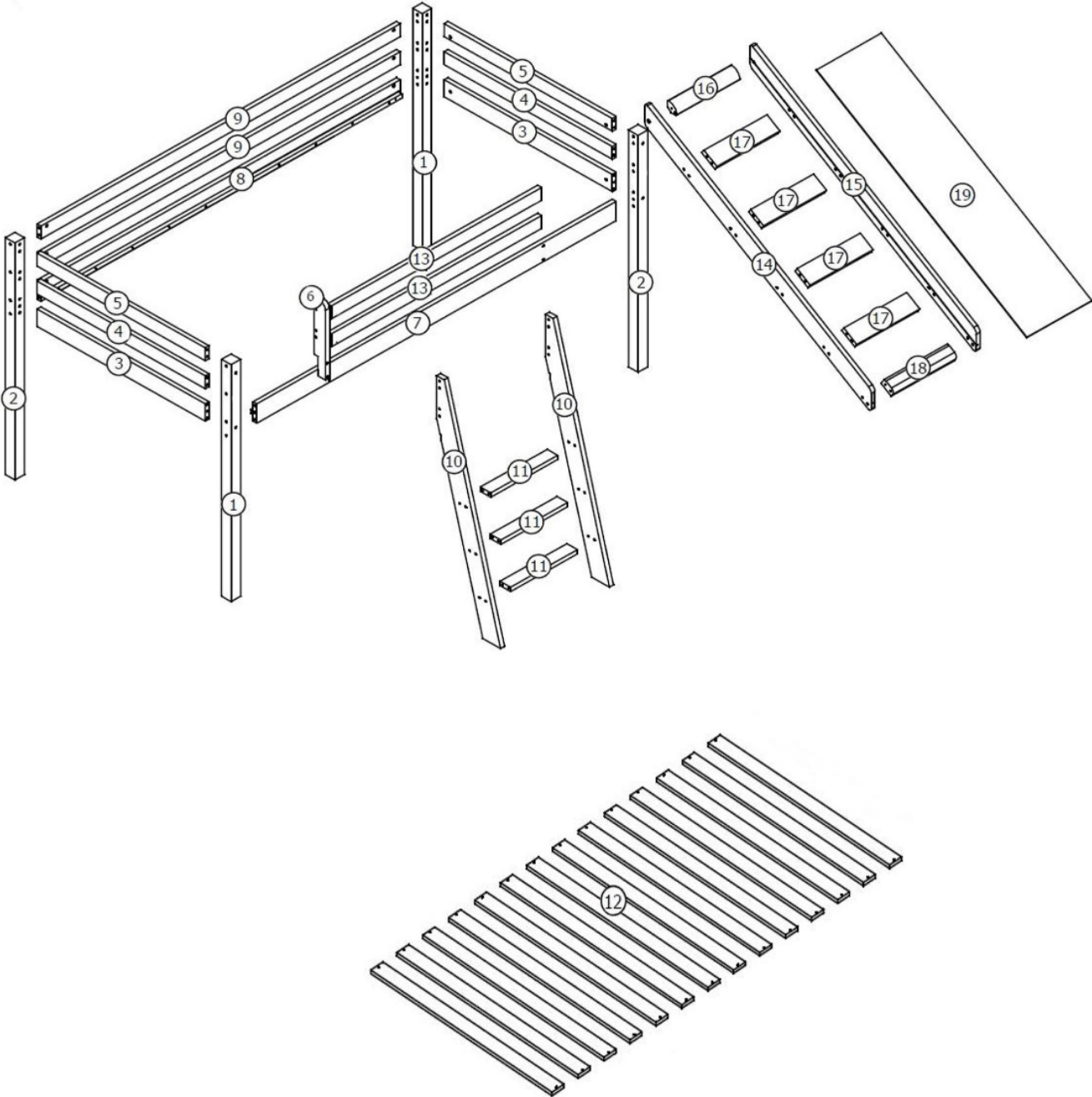


## HARDWARE

A	 15mm M6x 90 mm	20
B		24
C	 15mm M6x60mm	04
D	 15mm M6x50mm	04
E	 15mm M8x20mm	04
F	 Ø8x30mm	34
N	 Ø15mm	24

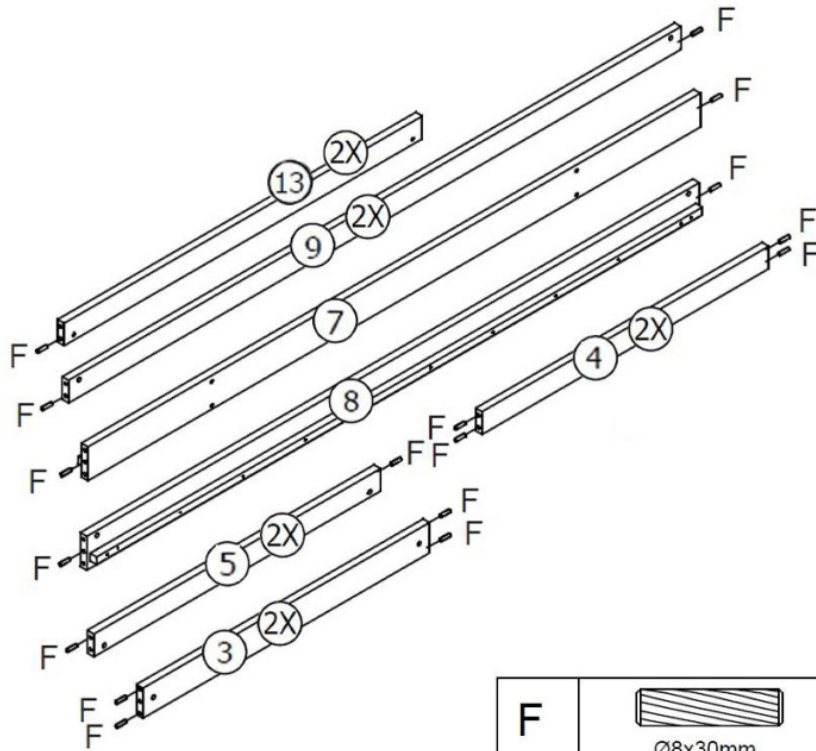
G		02
H	 8mm Ø4x30mm	30
I	 15mm Ø6x70mm	35
J		02
K	 8mm Ø4x16mm	08
M	 Ø8mm	11

# COMPONENTS



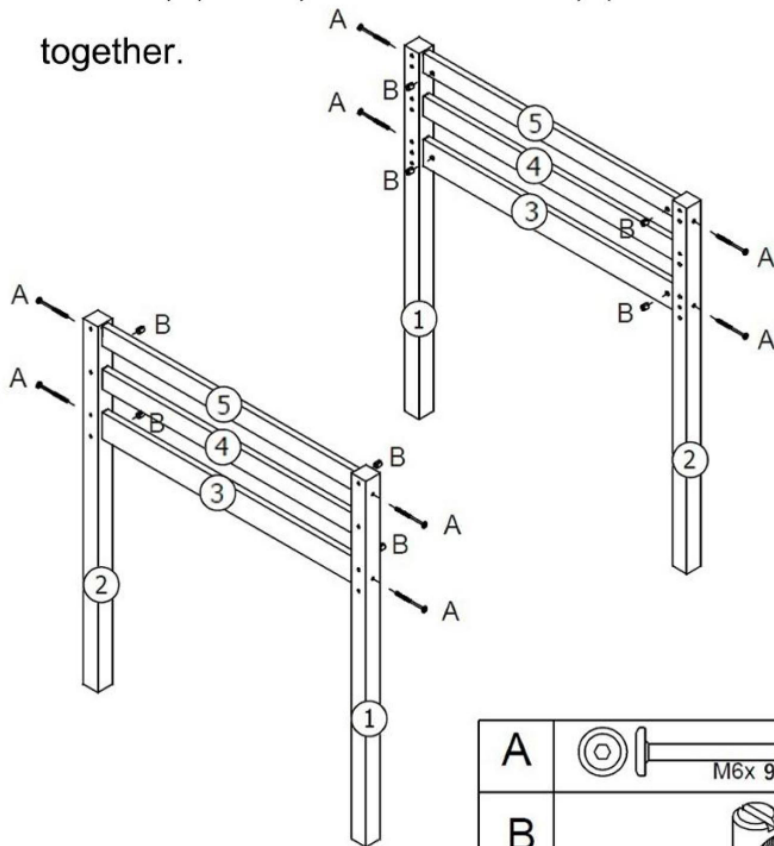
Insert F into those holes.

**01**



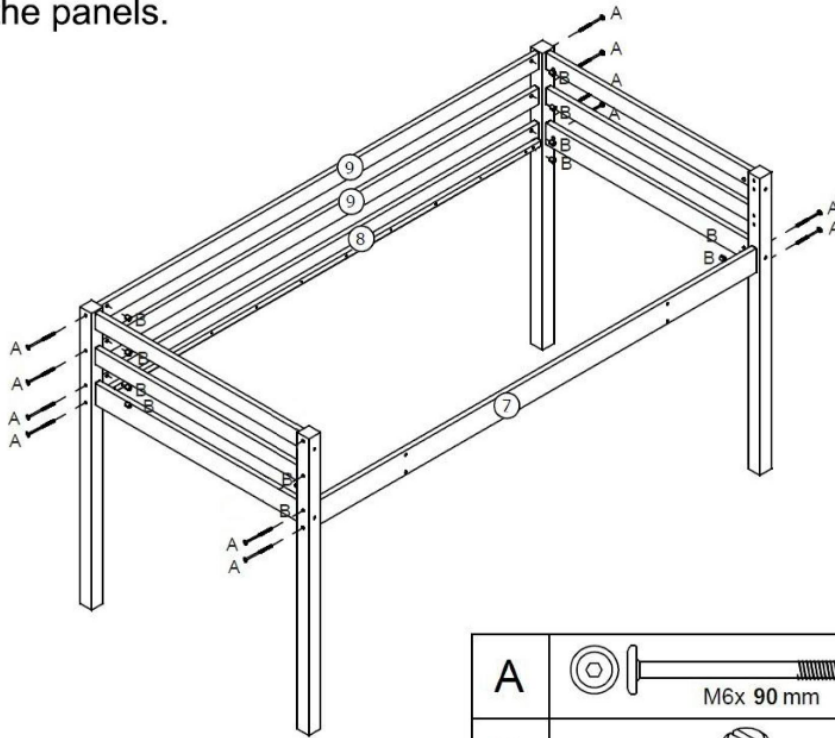
**02**

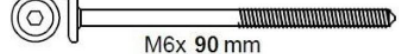

Attach 3,4,5 to 1,2. Insert B into 3,5, then screw B and A together.



**03**

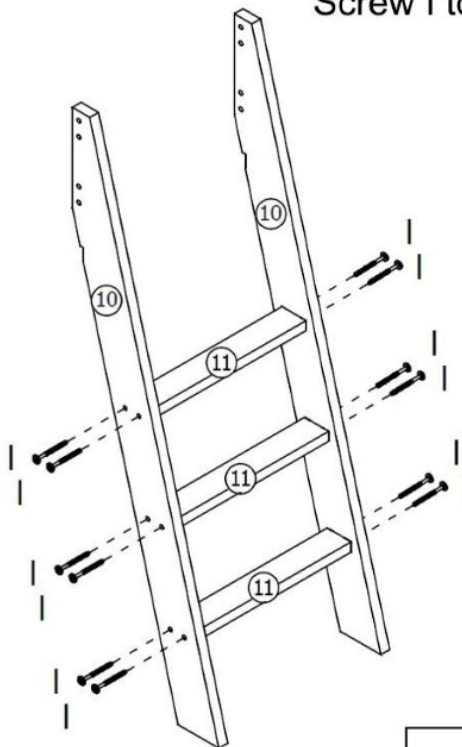
Attach 8,9 to bed legs. Insert B into 8,9 and screw A to tighten the panels.

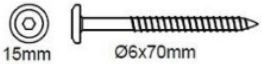


A	 M6x 90 mm	12
B		14

**04**

Screw I to install 10 and 11 together.

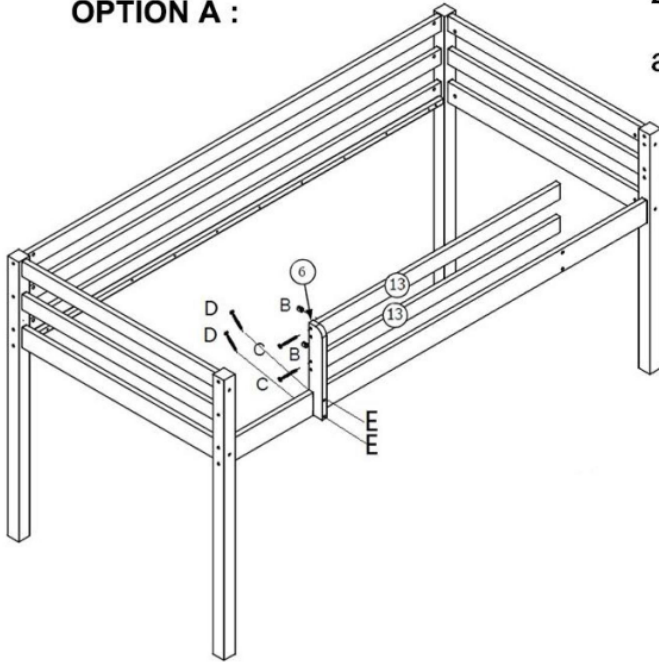


I	 15mm    Ø6x70mm	12
---	--	----

# 05

1.If you need ladder on right, please install 6 on left. Use one G to fix D and use the other G to screw E.

## OPTION A :

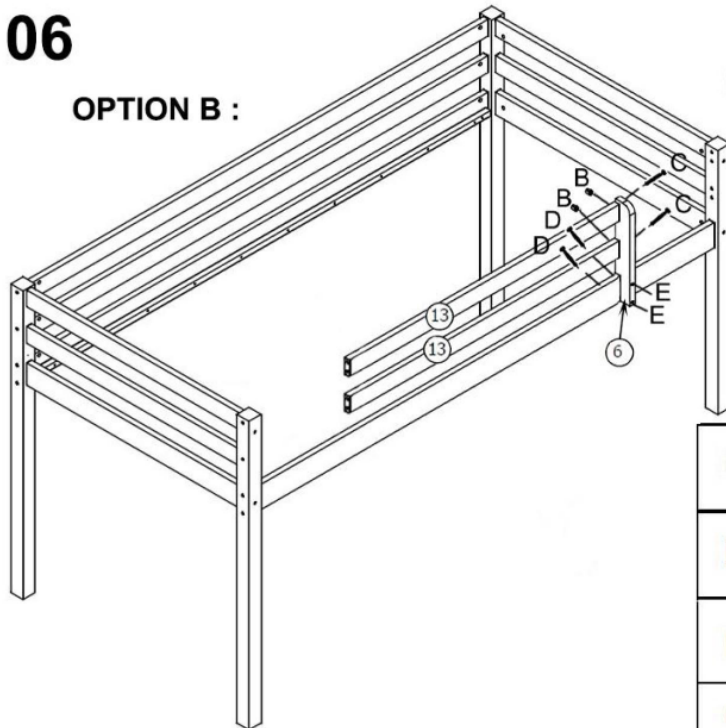


2.Insert B into 13, then screw C and B together.

G		02
E	 15mm M8x20mm	02
B		02
C	 15mm M6x60mm	02
D	 15mm M6x50mm	02

# 06

## OPTION B :



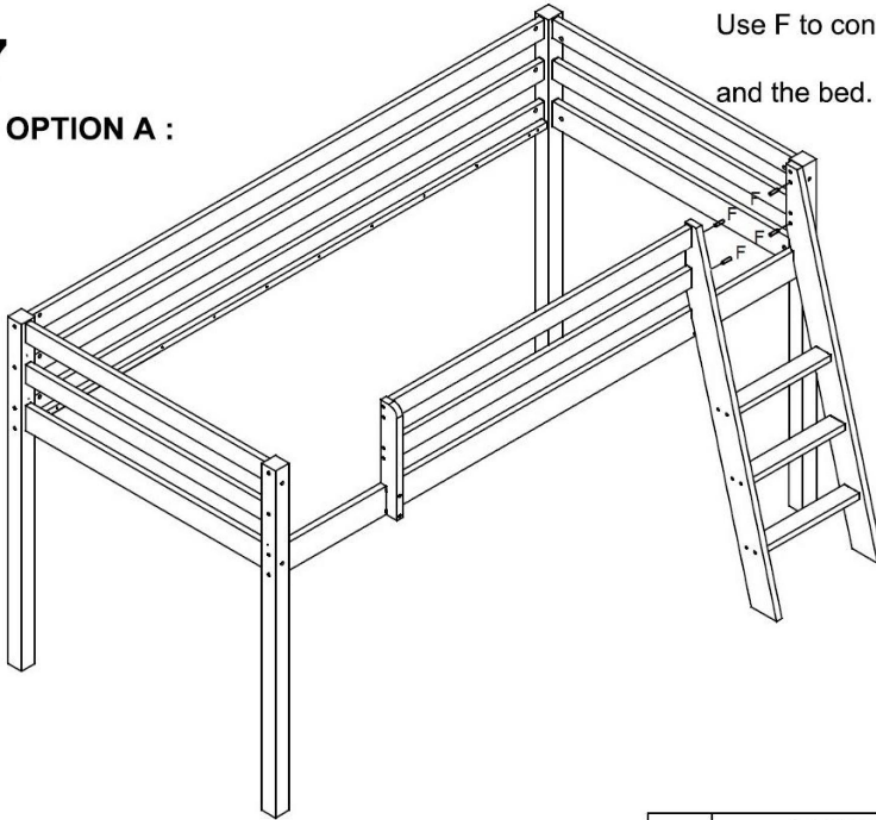
1.If you need ladder on left, please install 6 on right. Use one G to fix D and use the other G to screw E.

2.Insert B into 13, then screw C and B together.


G		02
E	 15mm M8x20mm	02
B		02
C	 15mm M6x60mm	02
D	 15mm M6x50mm	02

# 07

## OPTION A :

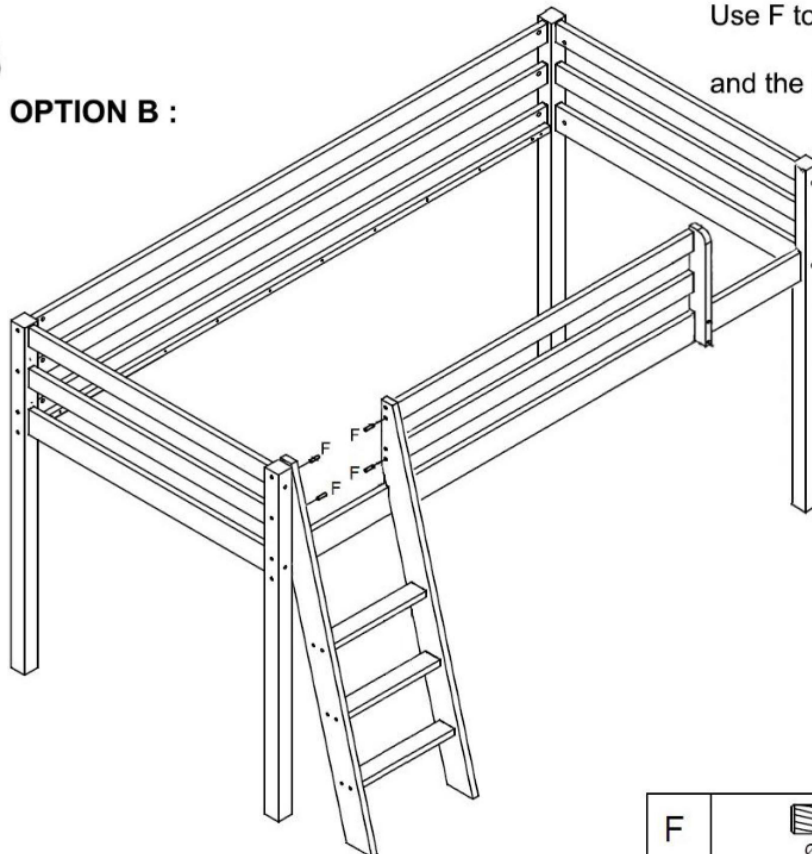


Use F to connect the ladder and the bed.


F	 Ø8x30mm	04
---	--	----

# 08

## OPTION B :



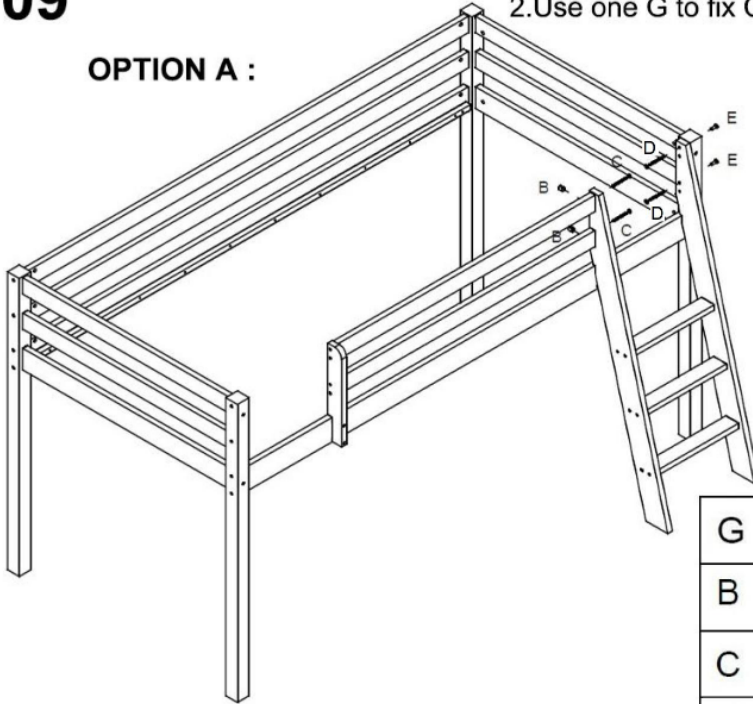
Use F to connect the ladder and the bed.

F	 Ø8x30mm	04
---	--	----

# 09

**OPTION A :**

1. Insert B into the holes.Screw B and C together .
- 2.Use one G to fix C and use the other G to screw E.

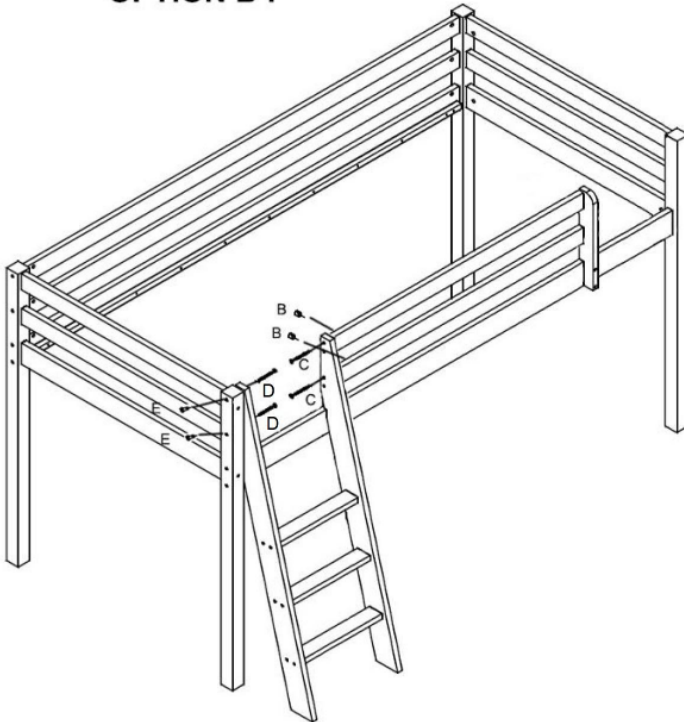


G		02
B		02
C	 15mm M6x60mm	02
D	 15mm M6x50mm	02
E	 15mm	02

# 10

**OPTION B :**

1. Insert B into the holes.Screw B and C together .
- 2.Use one G to fix C and use the other G to screw E.

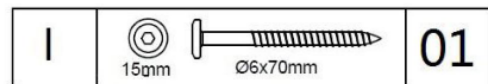
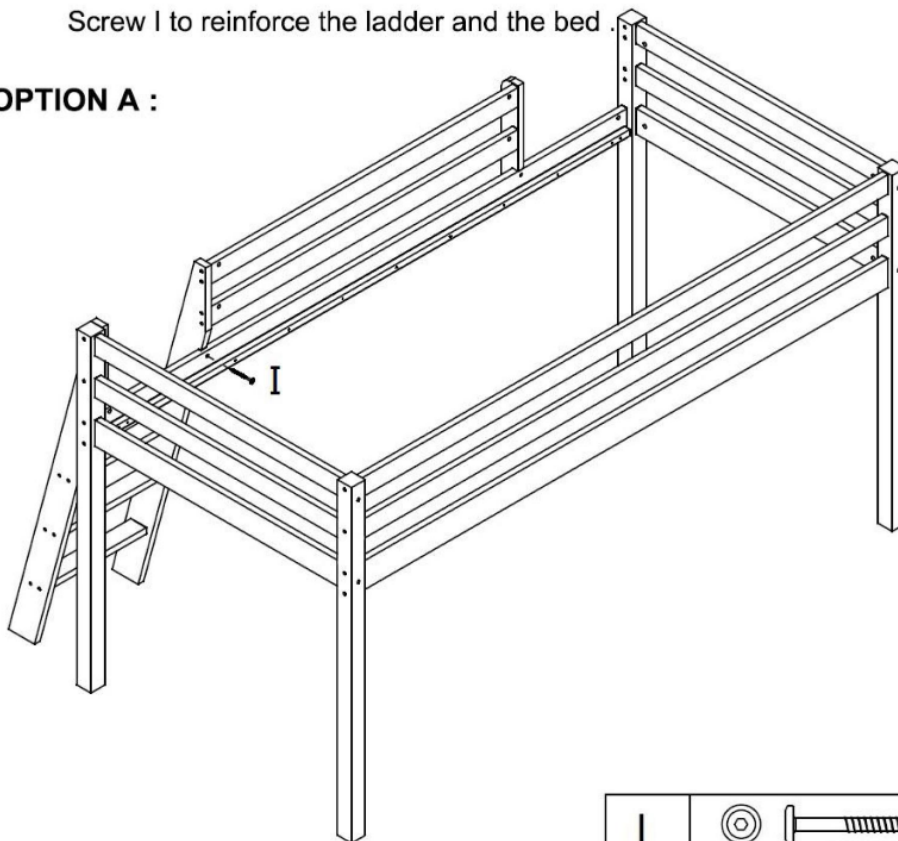


G		02
B		02
C	 15mm M6x60mm	02
D	 15mm M6x50mm	02
E	 15mm	02

# 11

Screw I to reinforce the ladder and the bed

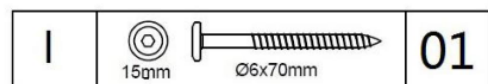
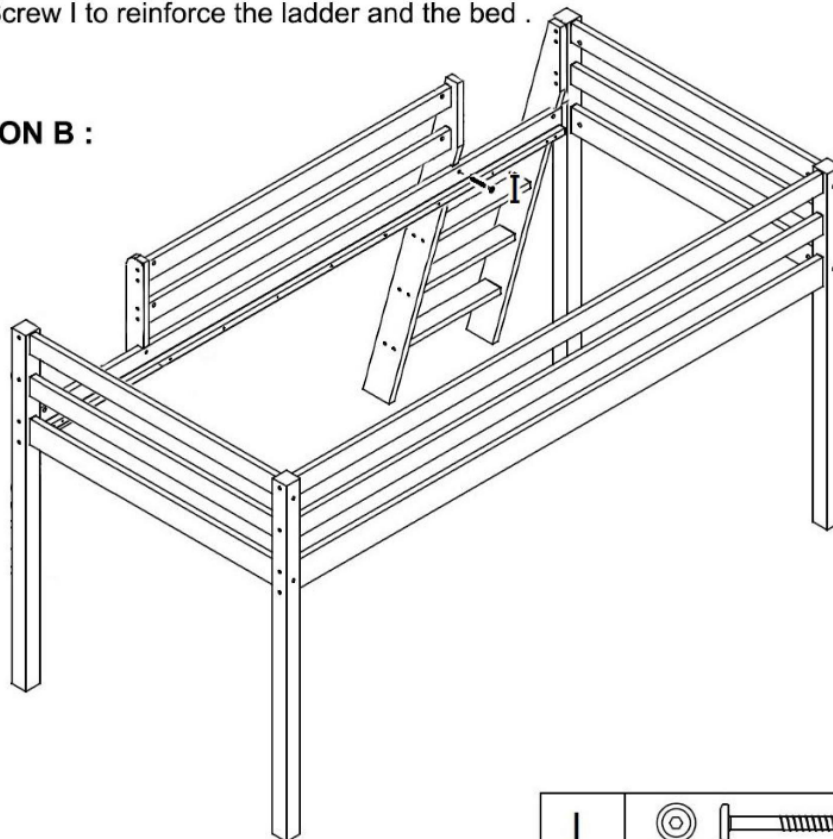
OPTION A :



# 12

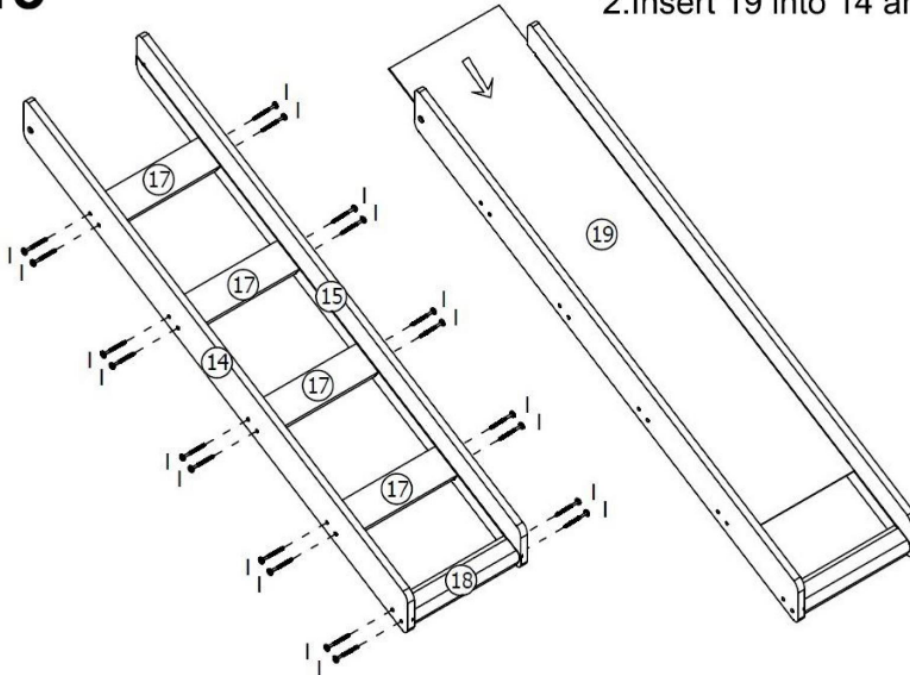
Screw I to reinforce the ladder and the bed .


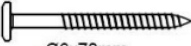
OPTION B :



# 13

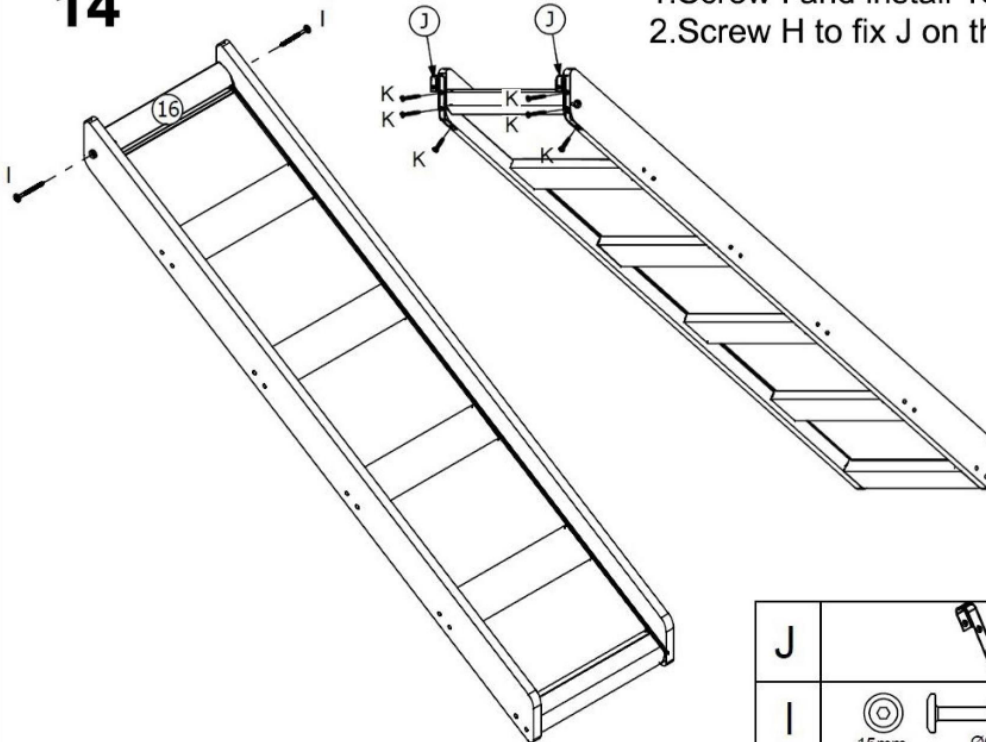
- 1.Screw I to install 14,15,17,18 together.
- 2.Insert 19 into 14 and 15.





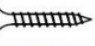


I	 15mm	 Ø6x70mm	20
---	---	--	----

# 14

- 1.Screw I and install 16 to the slider.
- 2.Screw H to fix J on the slider.

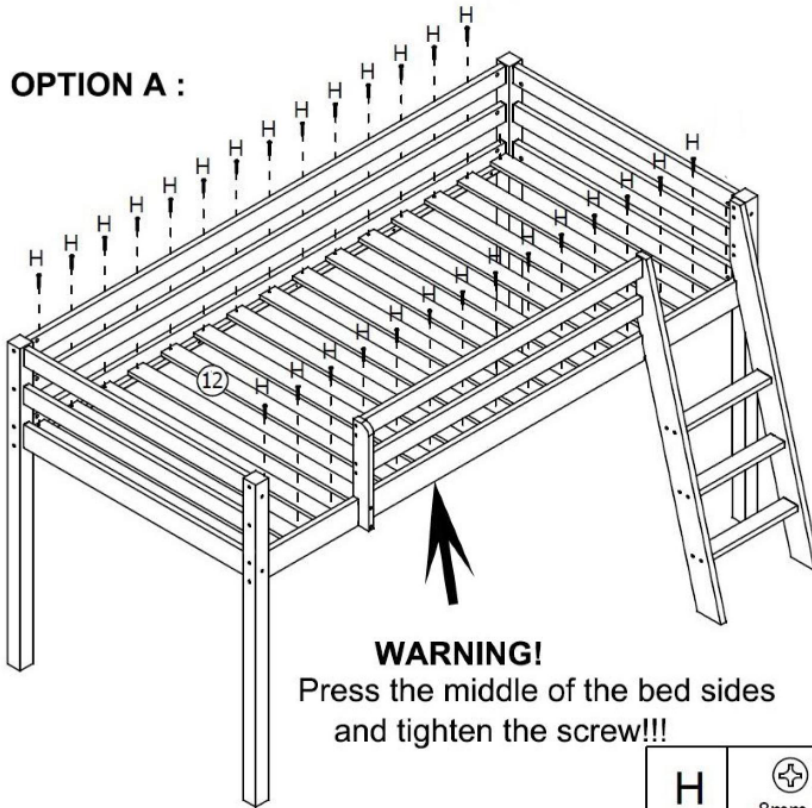


J		02	
I	 15mm	 Ø6x70mm	02
K	 8mm	 Ø4x16mm	06

15

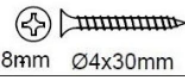
Put slats on the bedside strips, and screw H one by one.

OPTION A :



**WARNING!**  
Press the middle of the bed sides  
and tighten the screw!!!

H

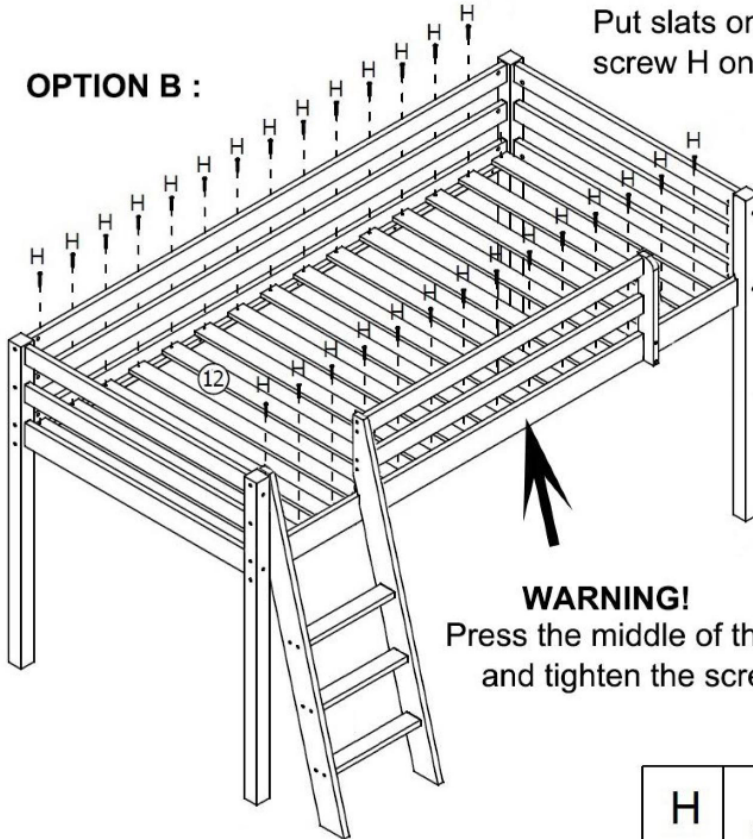


30

16

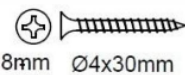
Put slats on the bedside strips, and screw H one by one.

OPTION B :



**WARNING!**  
Press the middle of the bed sides  
and tighten the screw!!!

H

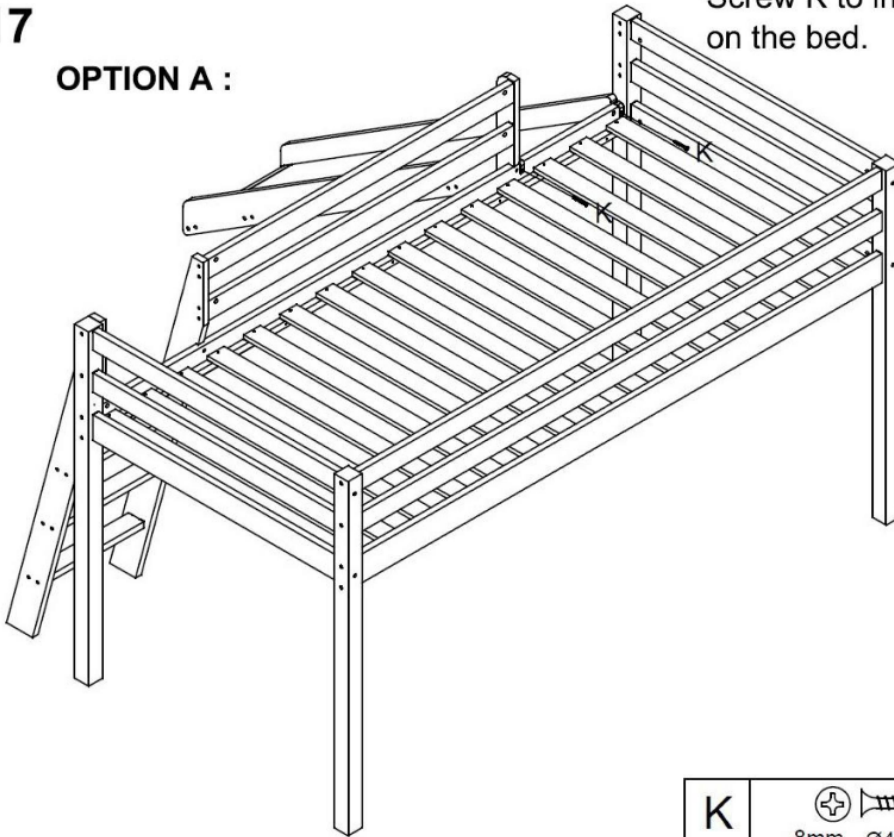



30

**17**

**OPTION A :**

Screw K to install the slider  
on the bed.

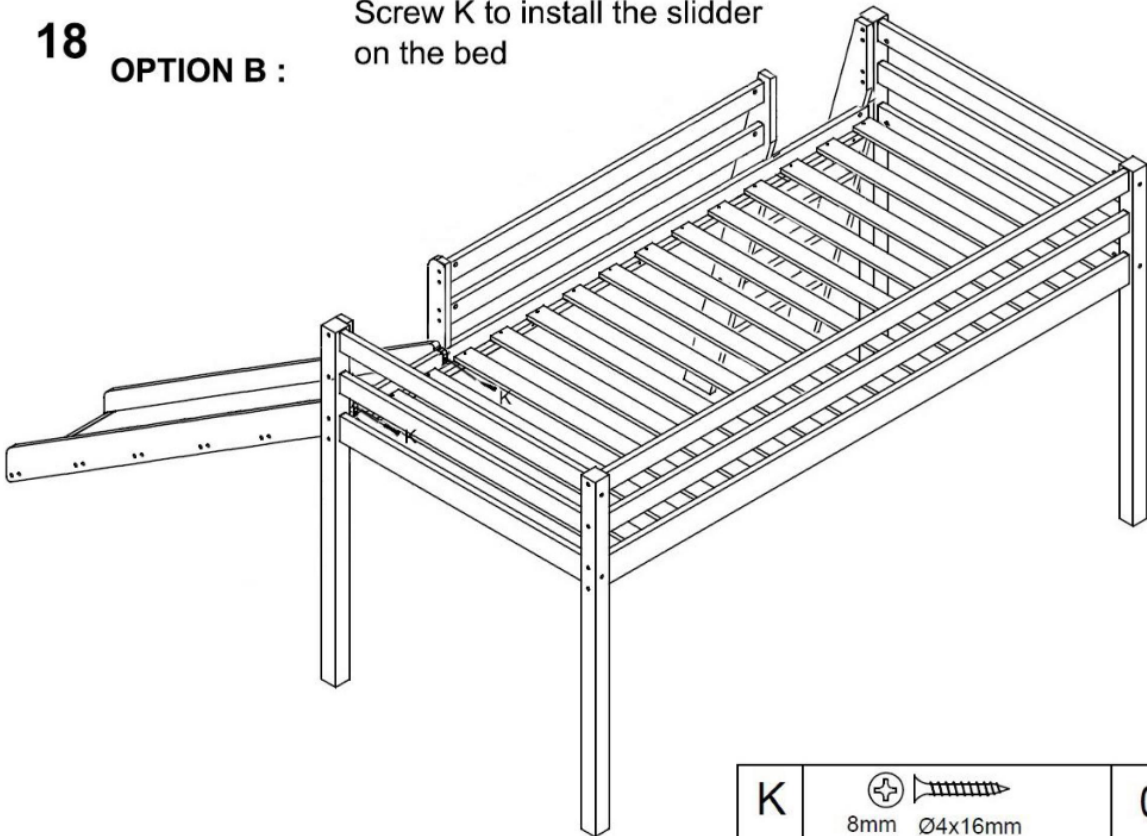


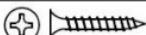
<b>K</b>	 8mm Ø4x16mm	<b>02</b>
----------	--	-----------

**18**

**OPTION B :**

Screw K to install the slider  
on the bed



<b>K</b>	 8mm Ø4x16mm	<b>02</b>
----------	--	-----------