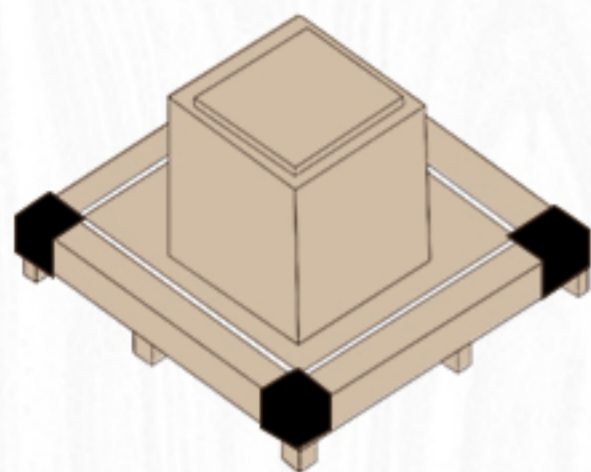
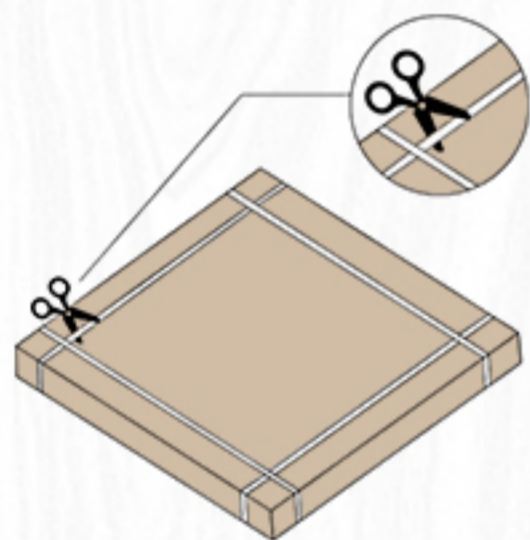


INSTALLATION INSTRUCTION



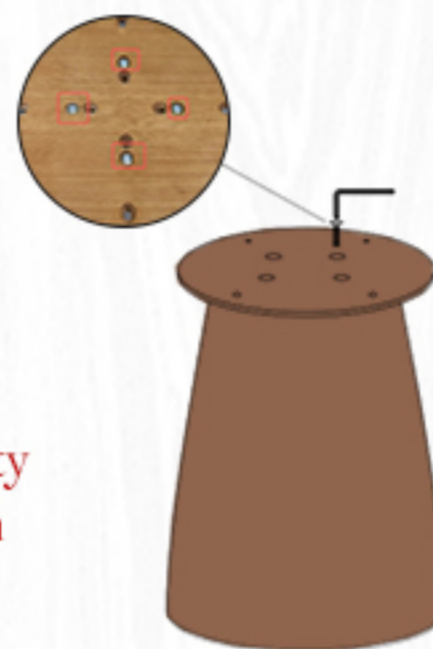
- ① Check the integrity of the outer box after receiving the package.

Please note: There is a corner safety protection on the package, you can cut the tape directly to remove.

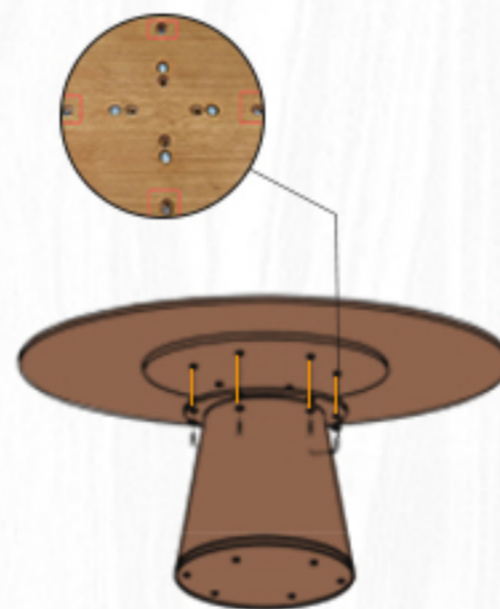


- ② Then let us start unpacking the boxes.

Note: Need to unpack and inspect all items: tabletop, connecting plate, and base.



- ④ Place the connecting plate on the base and secure the connecting plate and base with screws.



- ⑤ Flip the coffee table, align the holes on the connecting plate with those on the table, and use a screwdriver to install the screws.

(Plz handle with care when flipping.)



- ③ Install adjusting screws into the corresponding holes at the bottom.



Note: Part D is a height adjustment screw for leveling the base.



- ⑥ Assembly completed.