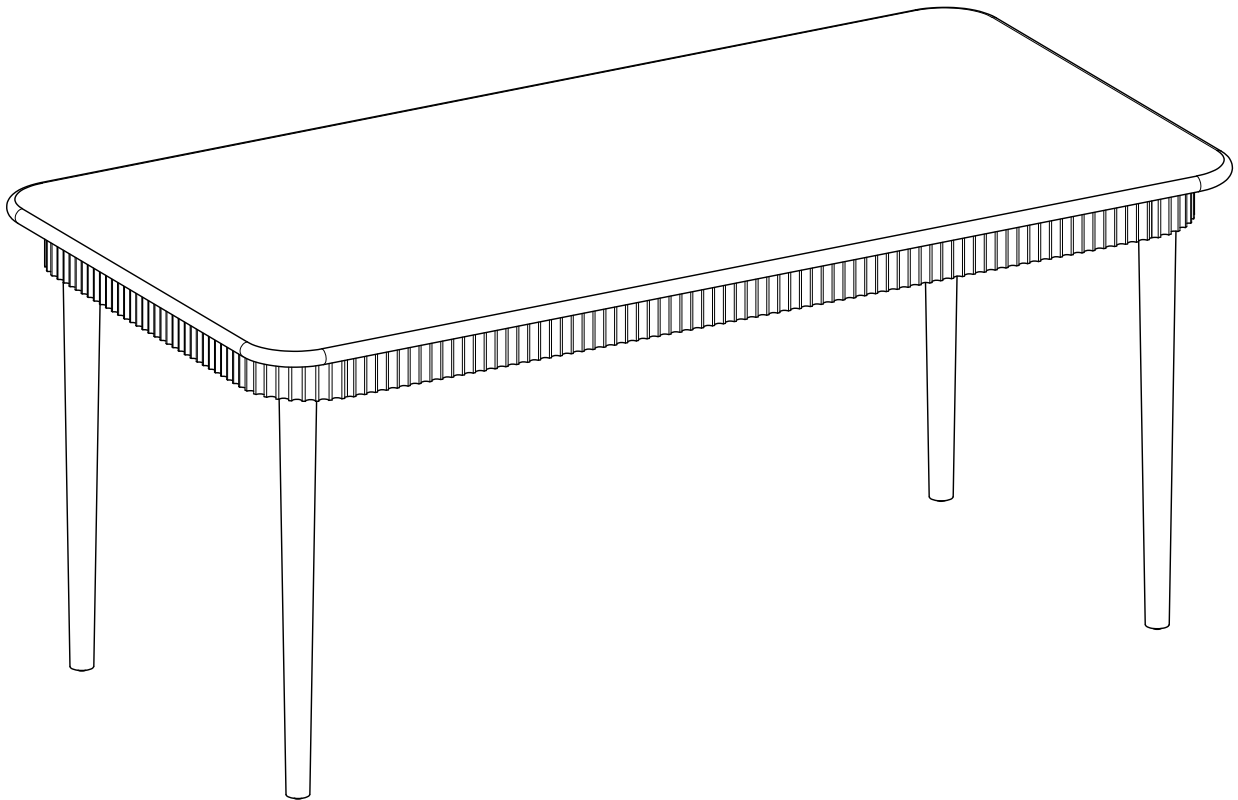


**WALKER EDISON**  
TM

## Samantha Rectangle Dining Table

SKU# WESAM12704



**For Residential Use Only**

Please visit our website for the most current instructions, assembly tips, report damage, or request parts. [www.walker-edison.com](http://www.walker-edison.com)

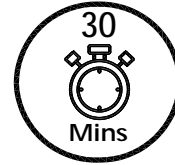


# Time to get started

Set up a clean and soft workplace to get started and avoid damage during the assembly. It also helps to double-check that you've got all the pieces and parts before diving in to assembly.

---

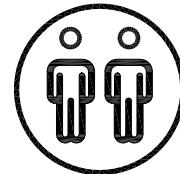
## Estimated time for assembly



---

## People recommended for assembly

Make it a team effort! Grab a friend for quicker, easier assembly.

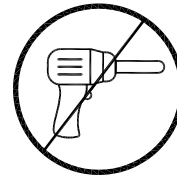


2 People Build

---

## Use power tools with caution

You can cause cracking or damage to the material and easily strip the hardware. If you choose to use a power tool, your product will no longer be covered under Walker Edison's warranty.

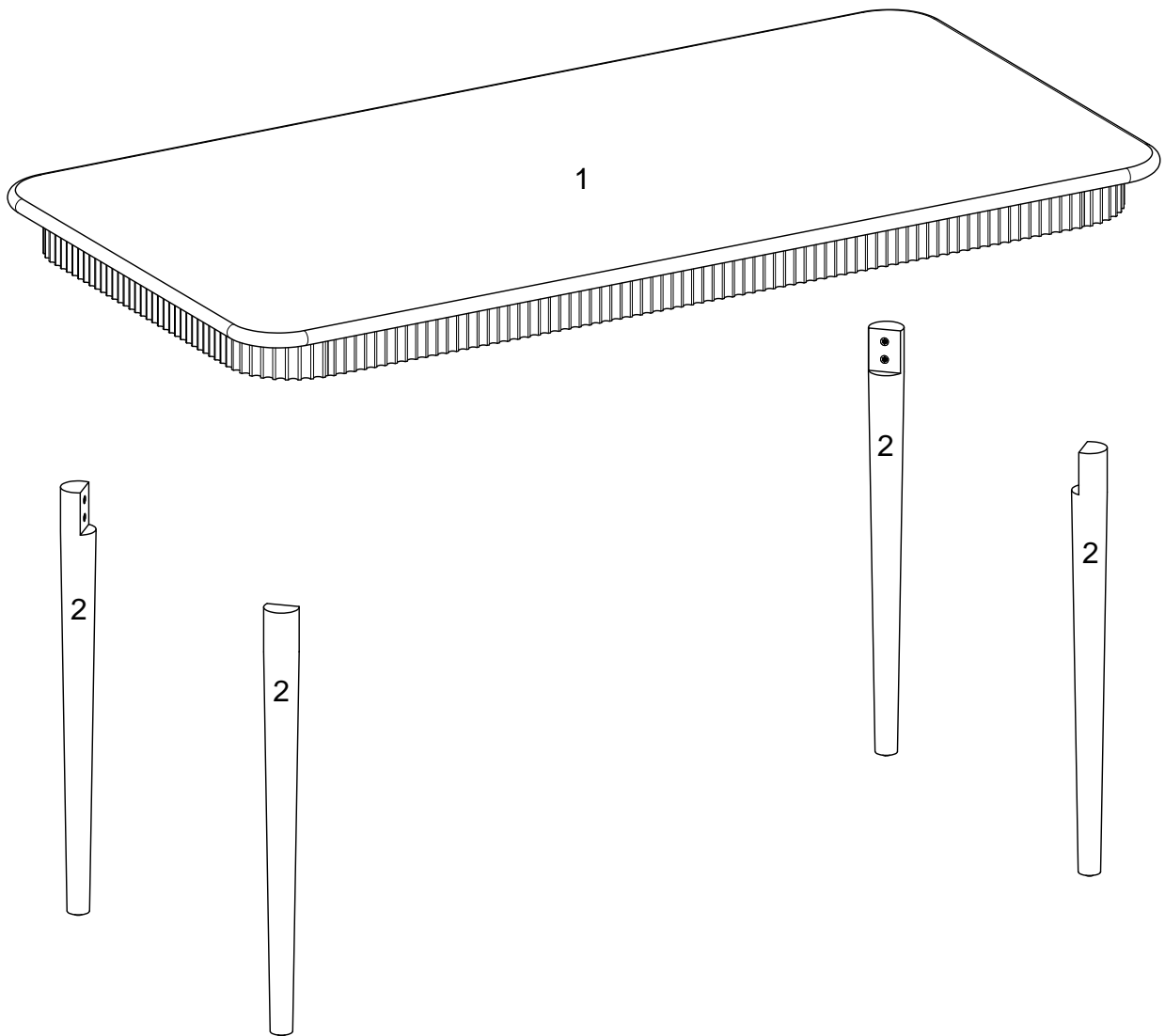


Samantha





**Scan to get assembly tips and help!**

# WE Parts List

Part Number	Description	Quantity
1	Tabletop	1
2	Legs	4



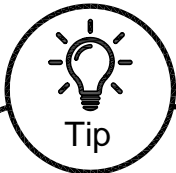
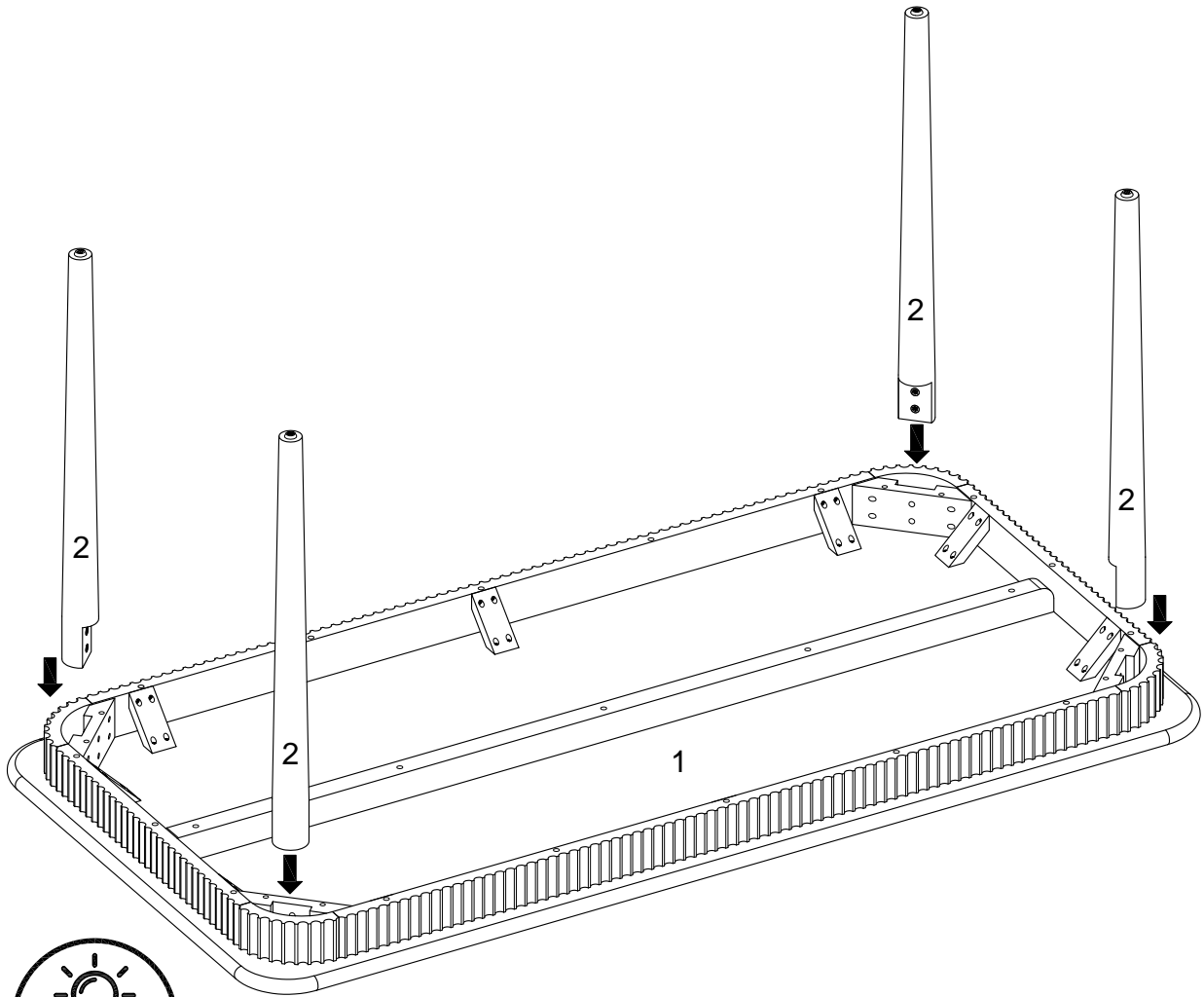
# Hardware List

	Part	Size	Name	Quantity
A		5/16"x45mm	Bolt	8
B		5/16"x13mm	Spring washer	8
C		5/16"x19mm	Washer	8
D		M4	Hex key	1

The hardware quantities listed above are required for proper assembly.  
Extra hardware pieces may be included.

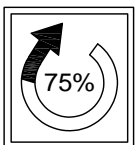
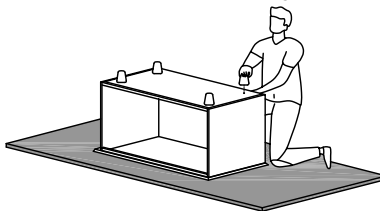
# Step 1

Let's begin! Insert the Legs (2) into their designated slots on the underside of the Tabletop (1).



Tip

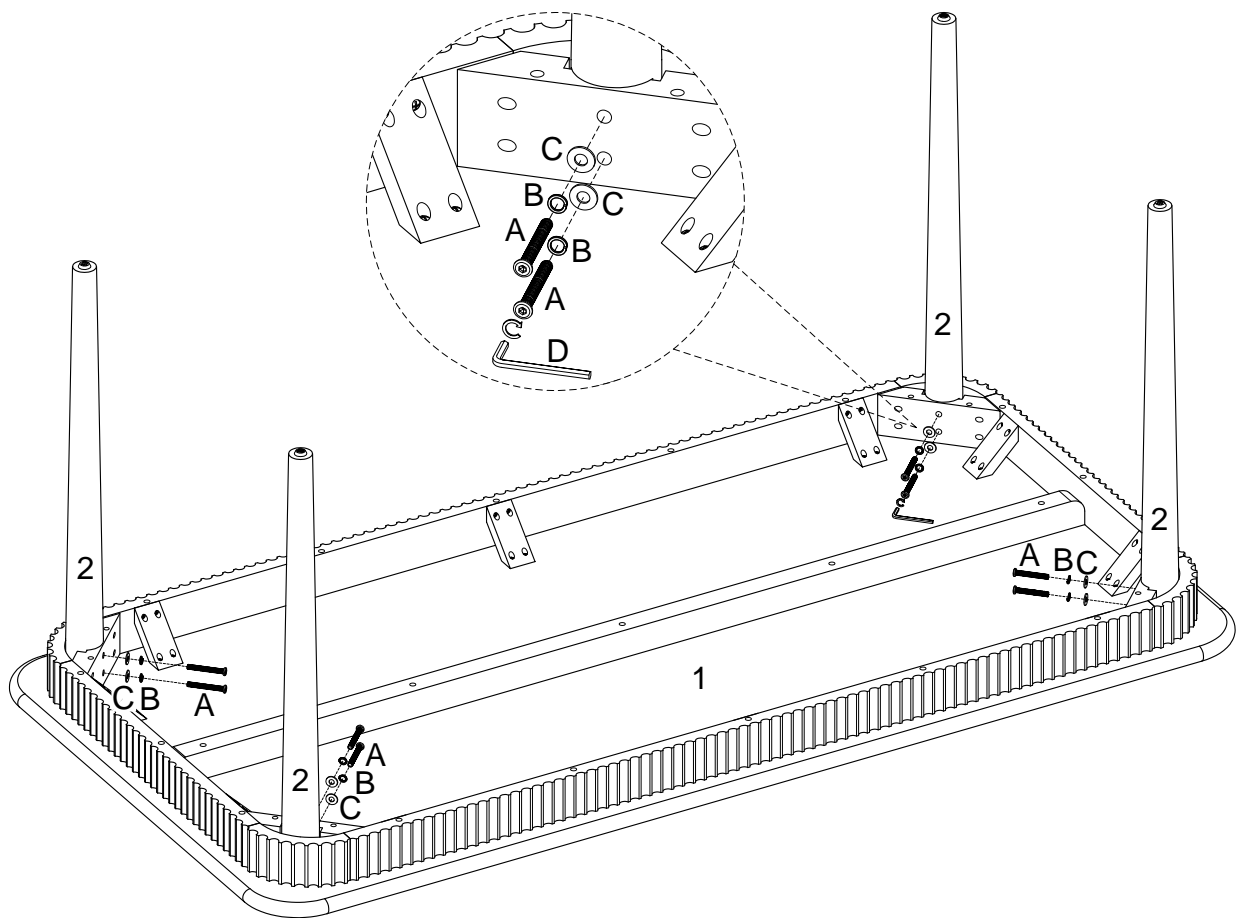
To keep your product looking its best and scratch-free, try assembling it on a soft surface like carpet or a blanket. This helps prevent any accidental scratches and keeps your furniture in top shape!



Do not tighten bolts / screws completely until all bolts / screws are lined up and inserted into holes. Tighten only to 75% for now.

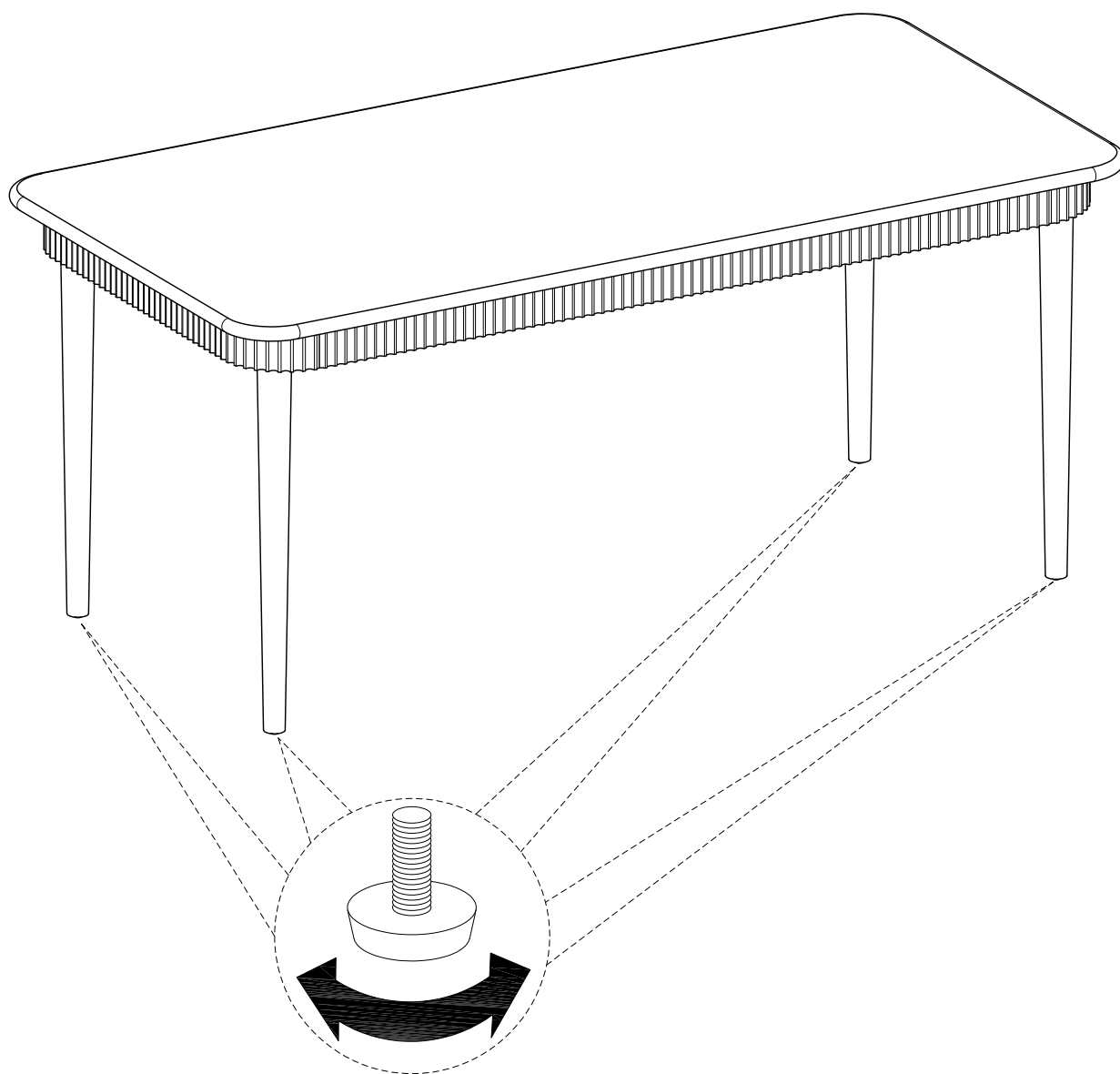
# Step 2

Secure the Legs (2) to the Tabletop (1) using the (A) bolt, (B) spring washer, and (C) washer. Tighten with the provided hex key (D).

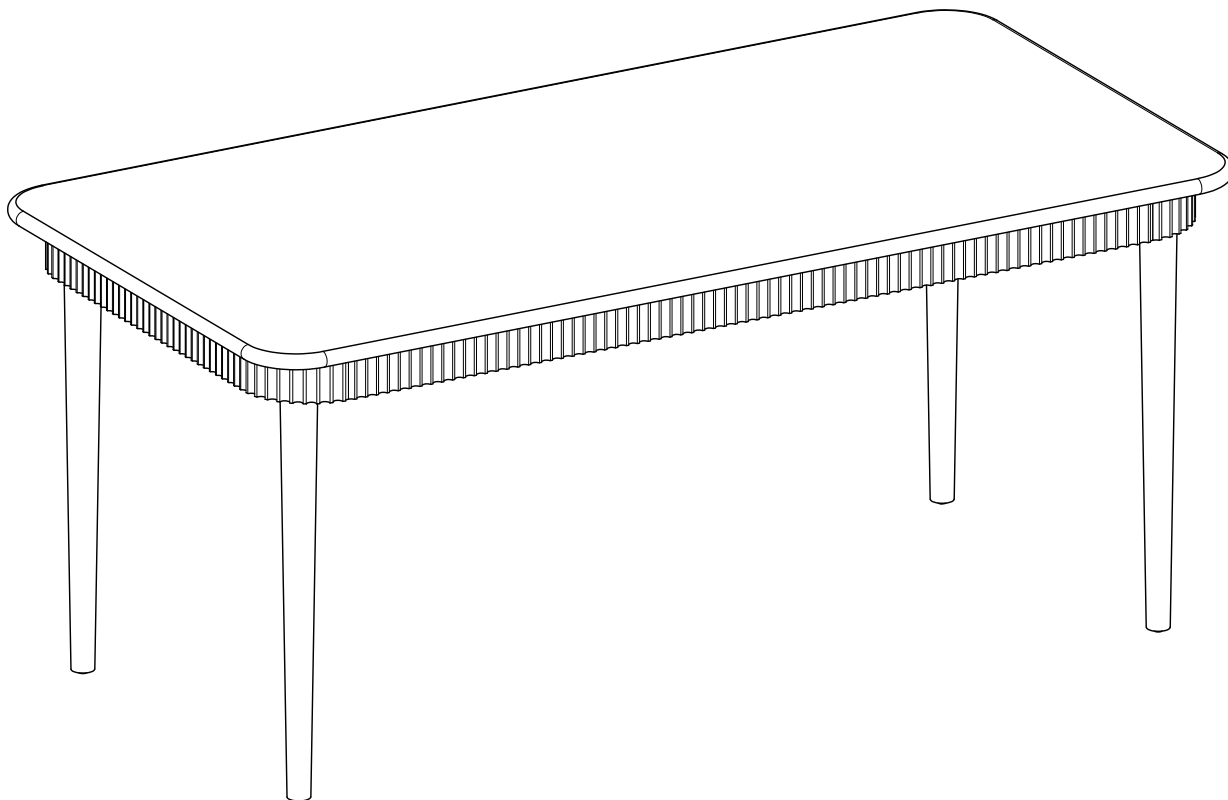


# Step 3

Adjust the feet at the base of the legs to ensure the piece is level.



# Final Assembly



**Congratulations on your new piece of furniture!**

We would love to hear about it and see it.  
Please leave us a review or post a picture with  
**#mywalkeredisonhome**

# Assembling furniture can be tricky sometimes.

Our customer service team, located in Utah, is here for product information, help assembling a product, or for any other customer support issue

Call us at **801-433-3008**

Email us at [service@walkeredison.com](mailto:service@walkeredison.com)

Visit our Customer Service website at  
[walkeredison.com/pages/customer-service](http://walkeredison.com/pages/customer-service)

We are available to help Monday -Thursday 8am-5pm, Friday  
8am-3pm MST

For details on Assembly Videos, Assembly Instructions,  
Replacement Parts, and Customer service,  
**SCAN HERE**

