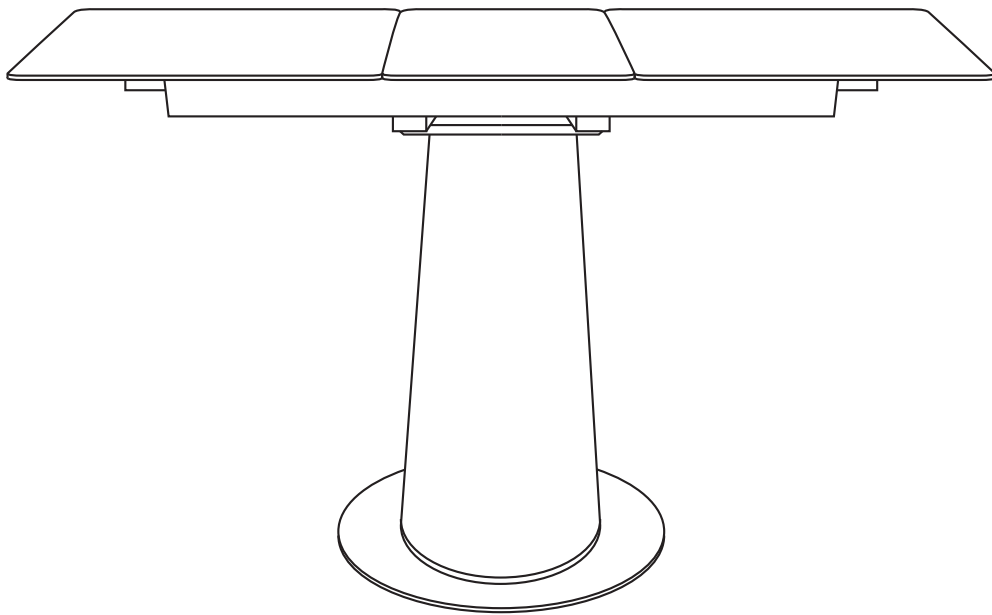


# Assembly instructions

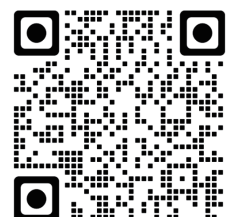


**IMPORTANT:**

PLEASE READ INSTRUCTION BEFORE STARING THE ASSEMBLY

Scan this QR code and watch our assembly tutorials

Or go to: <https://youtu.be/bxGB5rDqAAA>



**PLEASE DO NOT RETURN TO STORE**



**Please do not return this product to the retailer!!  
We are able to assist you in ANY way**

If you find that you have any trouble with assembly or missing or damaged parts please contact the seller.

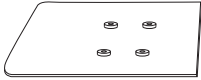
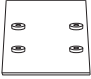
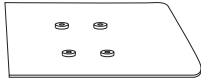
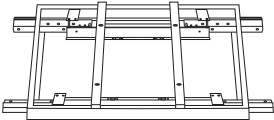
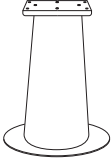
# Before Installation

**Important-Please read these instructions fully before starting the assembly**


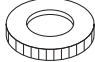
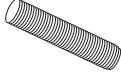
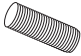
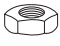

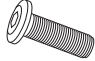


Thank you for purchasing this quality product. Be sure to check all packing materials carefully for small parts, which may have come loose inside the carton during shipment. Identify and count all items according to the PARTS LIST and/or HARDWARE LIST shown below. Check you have all the components and tools listed on the following pages.

- We recommend that you assemble this product with the assistance of another person; this will make the assembly easier, and will help eliminate damage to the product or injury to persons during assembly.
  - Please do not over tighten screws or bolts until the assembly is completed.
  - Keep children and animal away from the work area, small parts could choke if swallowed.
- Please put all parts on a non-abrasive floor before assembly, and follow the assembly steps to assemble your newly purchased product correctly and efficiently.

## Parts List

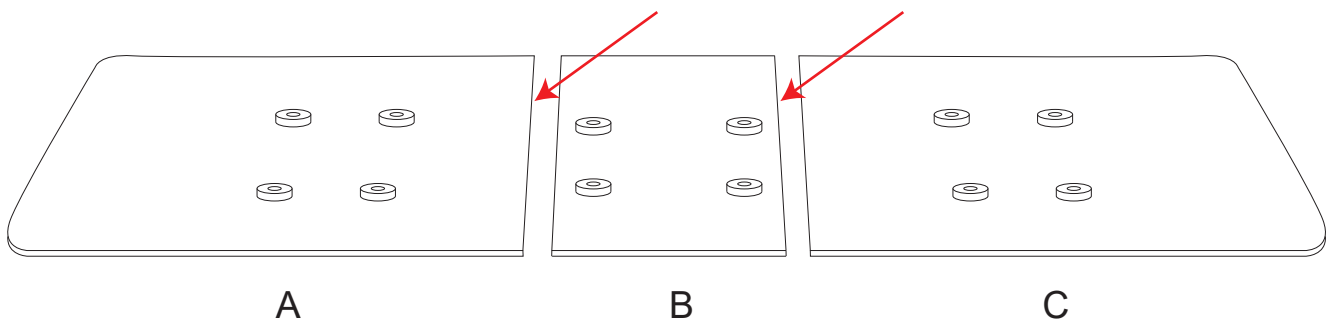
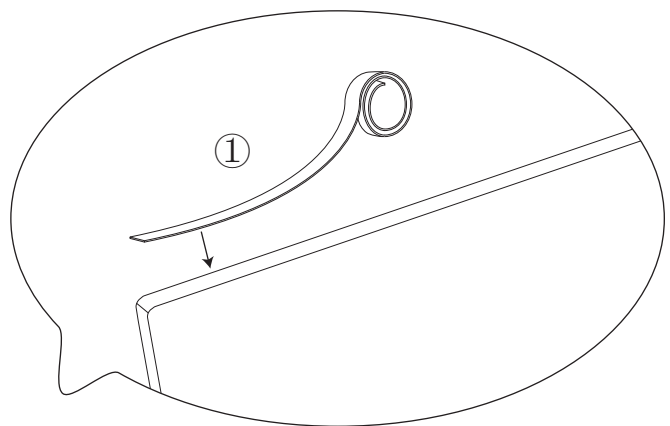
No.	Sketch	Qty
A		1
B		1
C		1
D		1
E		1

## Hardware List

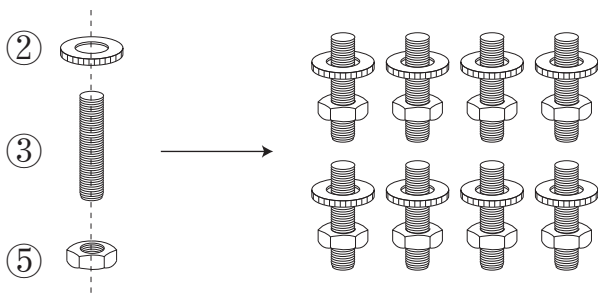
No.	Sketch	Qty
①		2
②		8
③		8
④		4
⑤		24
⑥		16
⑦		4
⑧		1
⑨		1

### Step 1:

· Stick the anti-collision sticker onto the edge of the desktop as indicated by the arrow.

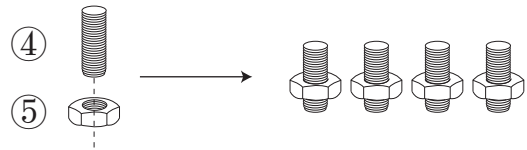


## Step 2:



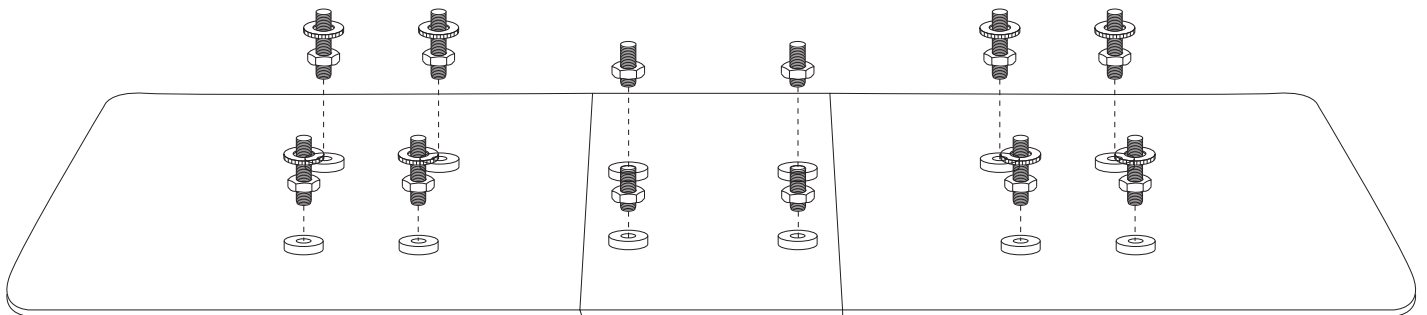
- Tighten the 8 screw sets in order and install them on two large tabletops respectively.

## Step 3:



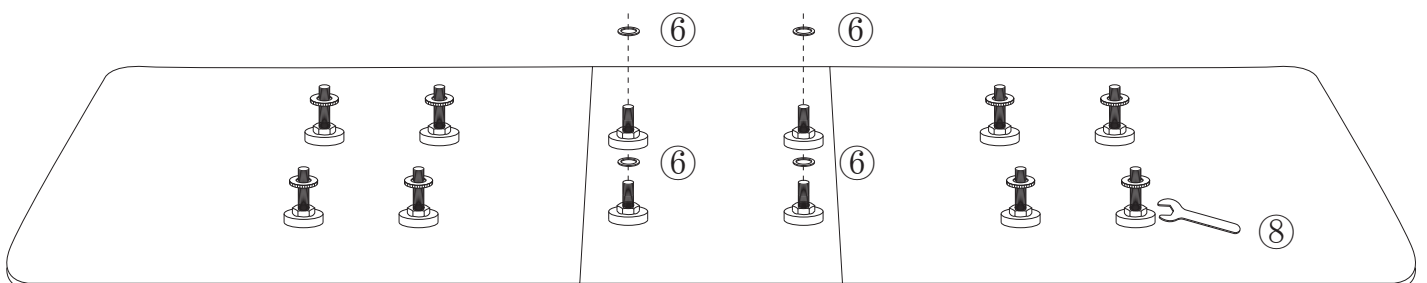
- Tighten the 4 screw sets in order and install them on the small desktop in the middle.

## Step 4:



- Screw the assembled screw sets onto the corresponding tabletops.

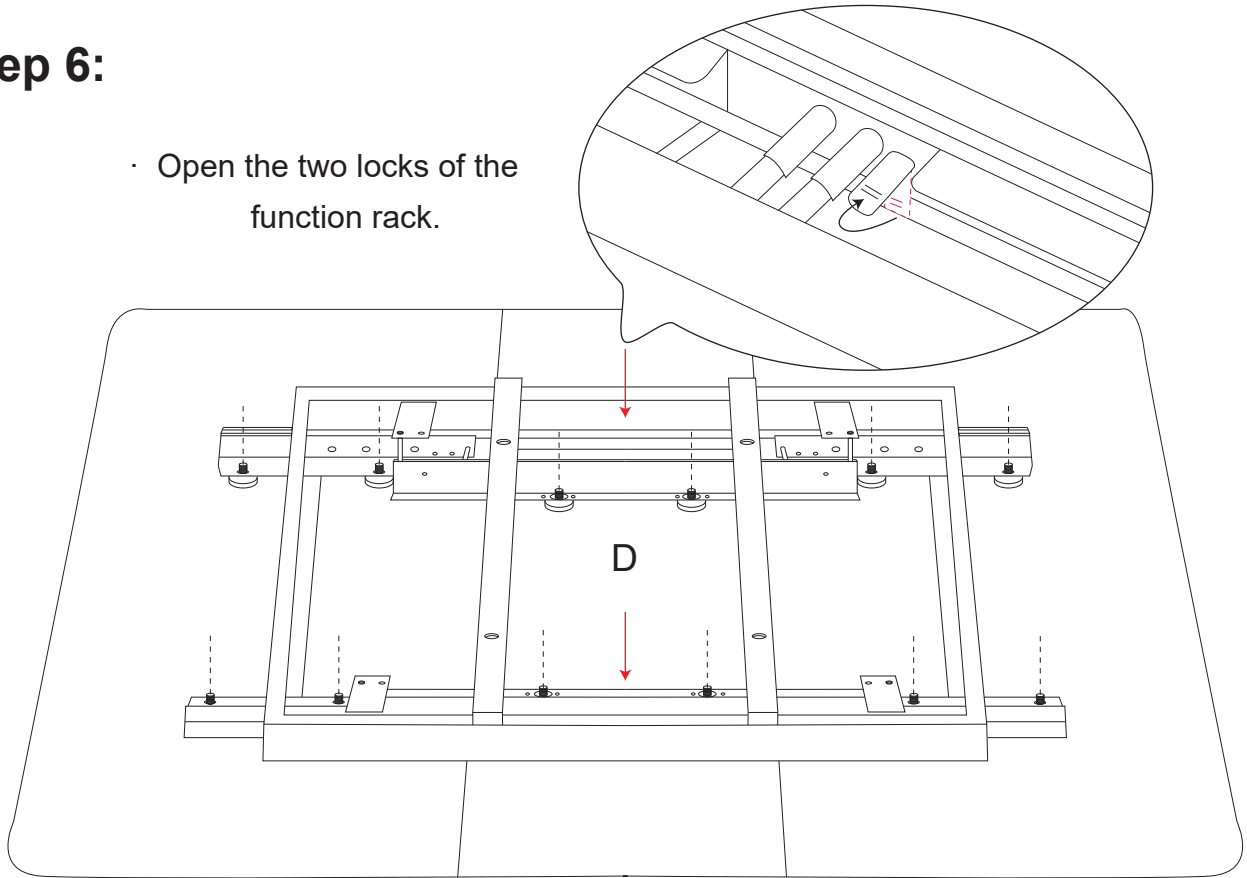
## Step 5:



- Tighten all the nuts “⑤” at the bottom of the screws with a wrench.
- Place washers on the 4 screws on the small desktop.

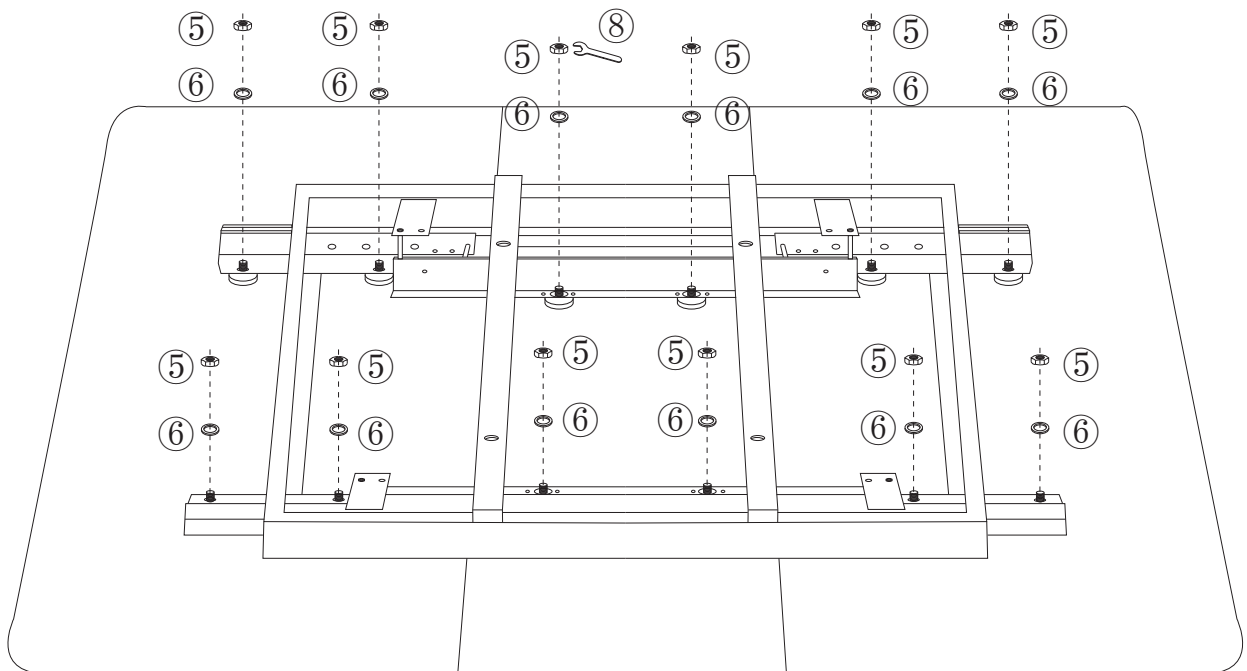
## Step 6:

- Open the two locks of the function rack.



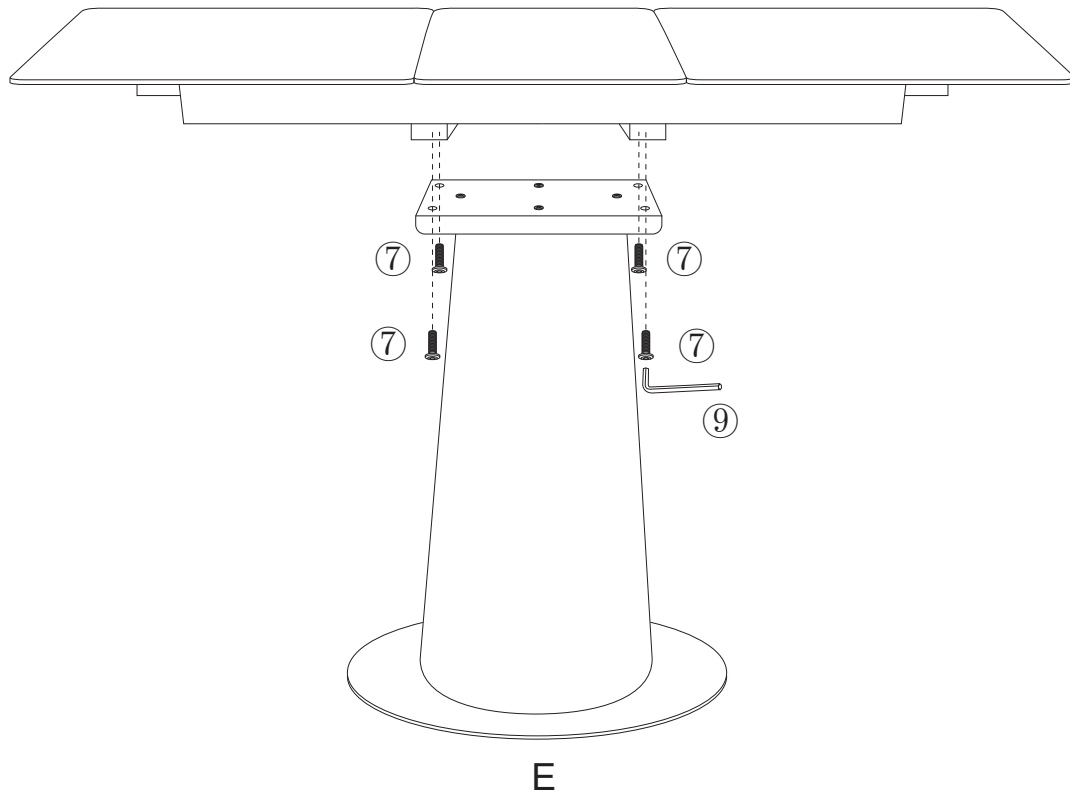
- After the function rack is fully unfolded, align it with the screw opening and invert it onto the table.

## Step 7:

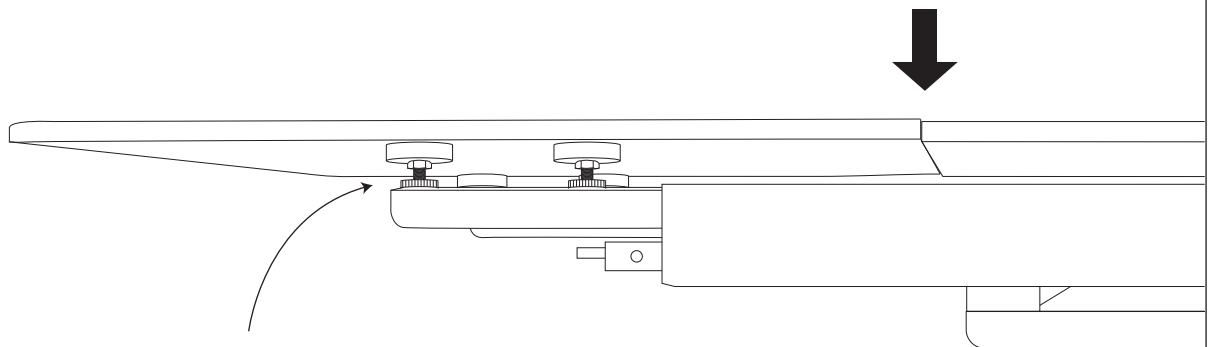


- Place small washers on all screws in sequence and tighten nuts.

## Step 8:



## Step 9:



- If the desktop is uneven, you can loosen the bottom nut slightly and adjust the adjuster “②” to adjust the desktop. After ensuring that the desktop is flat, tighten the small nut again.