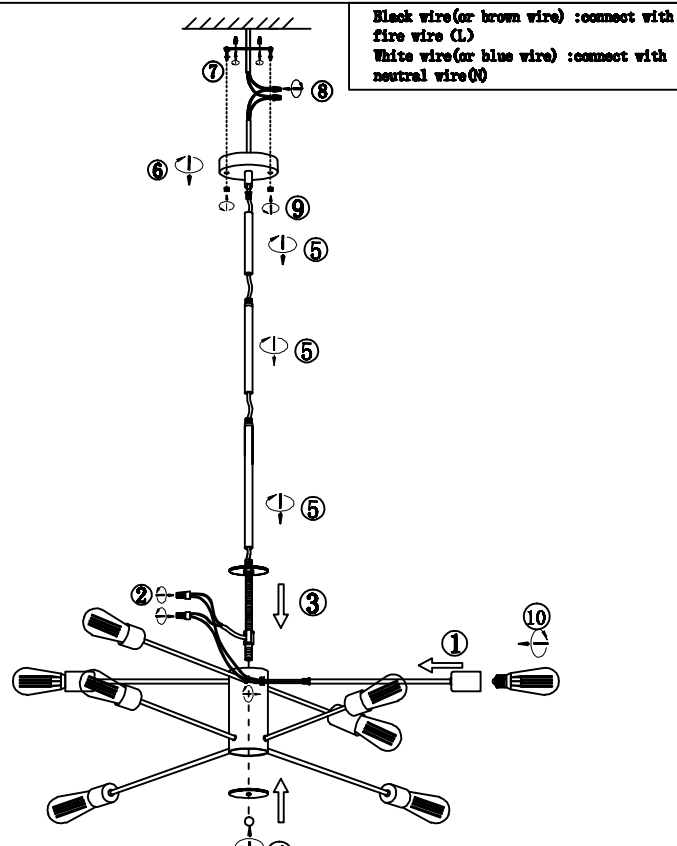


Installation diagram

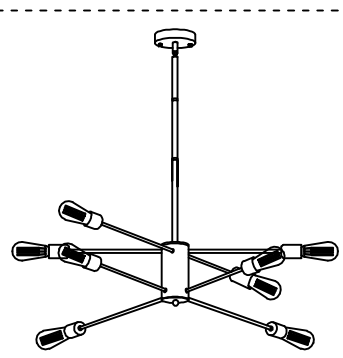


Black wire (or brown wire) : connect with fire wire (L)
 White wire (or blue wire) : connect with neutral wire (N)

(1) Connect all white wires to main white wire with an electrician cap.

(2) Connect all black wires to main black wire with an electrician cap.

(3) Wrap the electrician cap tightly with electrical tape to prevent leakage.



Installation steps

First open the outer case, find the various accessories, and carefully place them in the clean
 On the platform, prevent scratch, collision light body.

- 1: Install all lamp head tubes on the lamp and fix them firmly with nuts
- 2: (1) Connect all white wires to main white wire with an electrician cap.
 (2) Connect all black wires to main black wire with an electrician cap.
 (3) Wrap the electrician cap tightly with electrical tape to prevent leakage.
- 3: Put the wired wire and metal cover on the lamp
- 4: Cover the metal cover and fix it firmly with a ball nut
- 5: Screw on the metal pipe
- 6: Screw on the top plate
- 7: Remove the hanging plate and fix the hanging plate with screws on the position to be installed
- 8: Connect the light wire and the power cord. Please turn off the power first when wiring. And connected in the correct polarity.
- 9: Align the top plate with the two screws on the mounting plate and lock it with nuts
- 10: Screw on the bulb