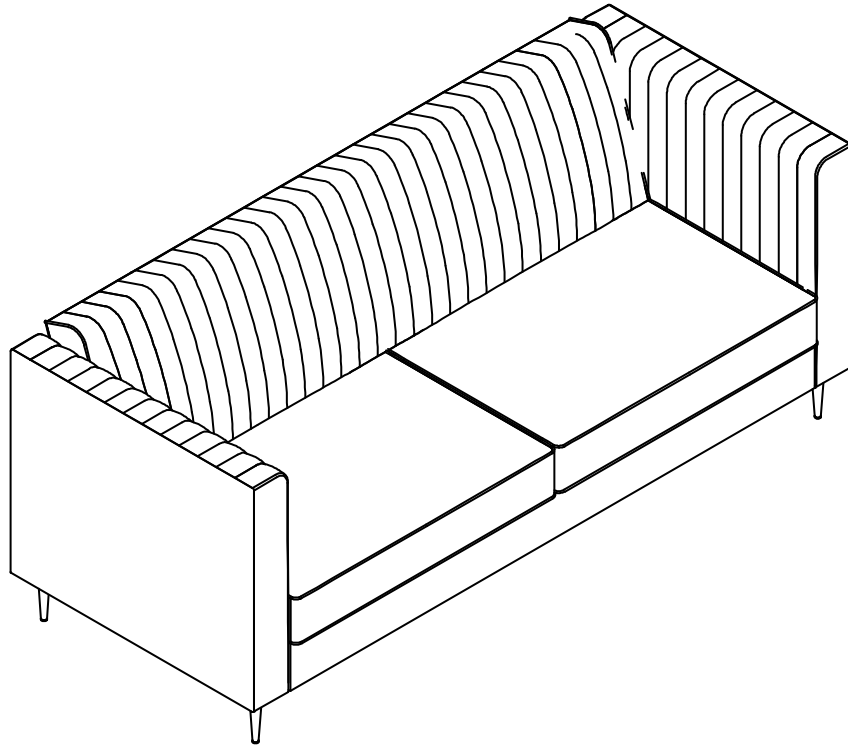
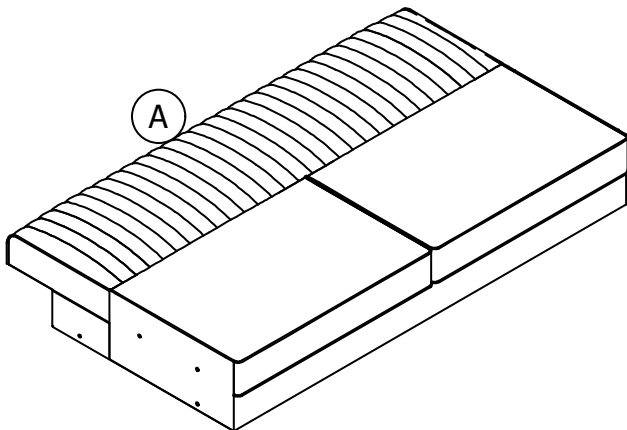


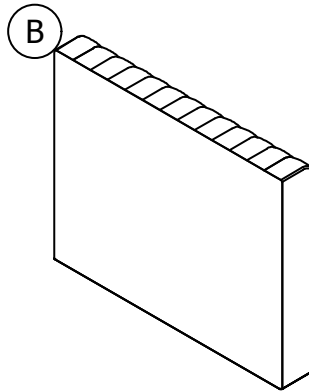
Assembly Instruction



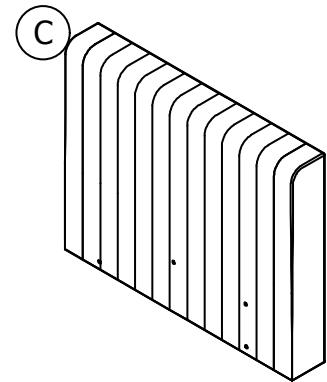
PART



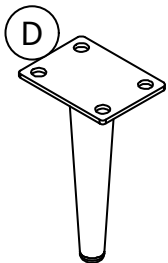
Seat X 1PC



Arm X 1PC



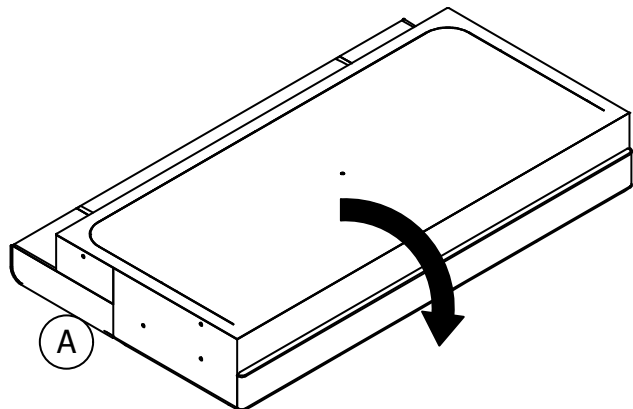
Arm X 1PC



Leg X 4PCS

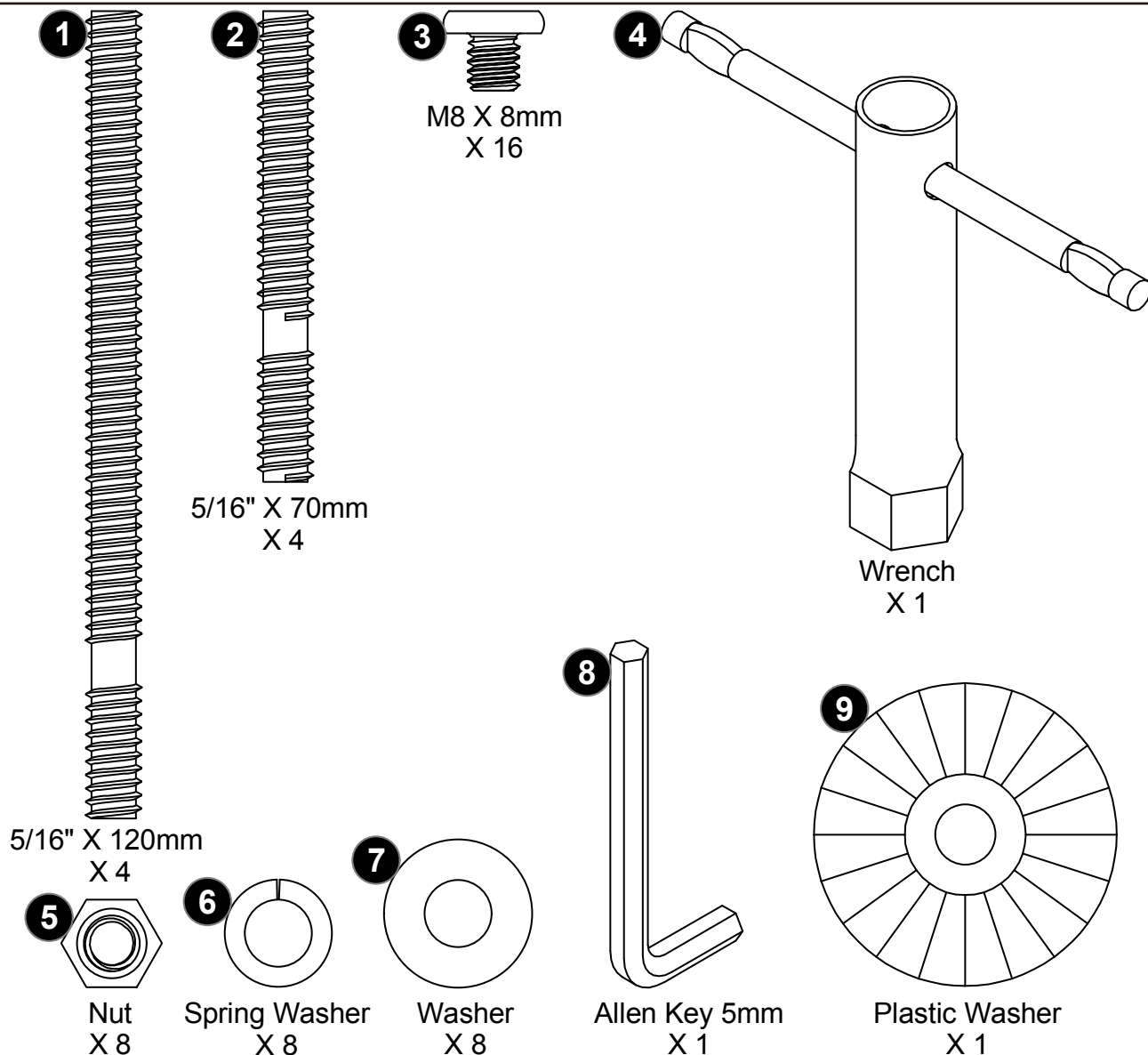


Middle Leg X 1PC

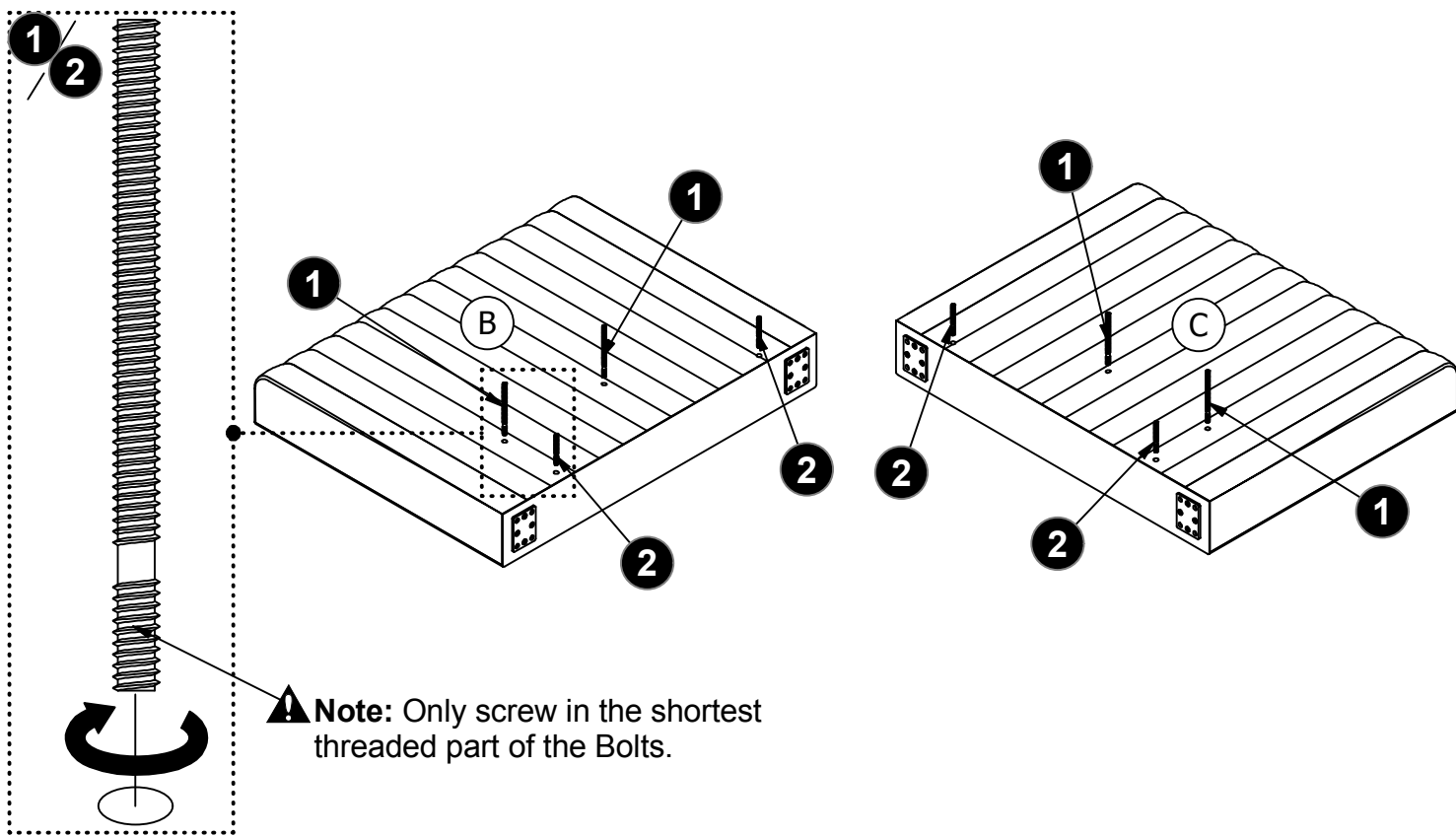


⚠ Some of the parts can be located in the compartment underneath the seating as shown.

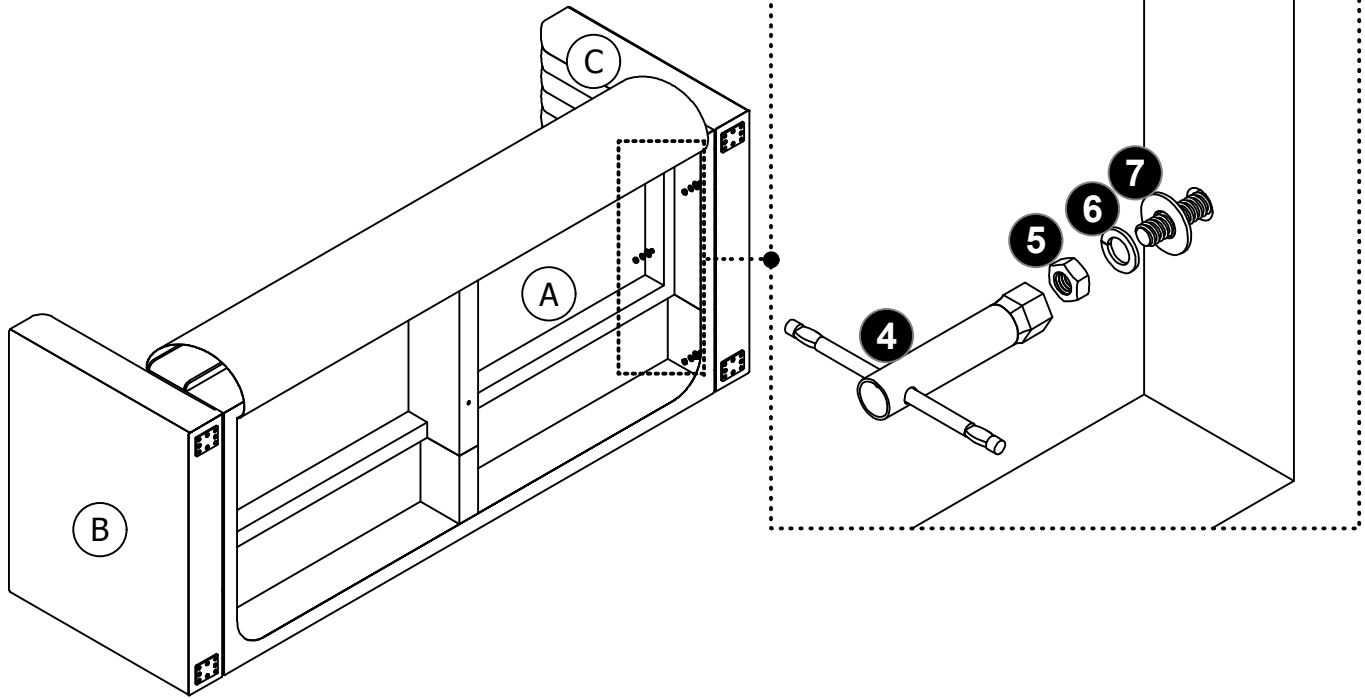
HARDWARE PART



STEP 1: Hand tighten **1** & **2** into **B** & **C**, as shown.



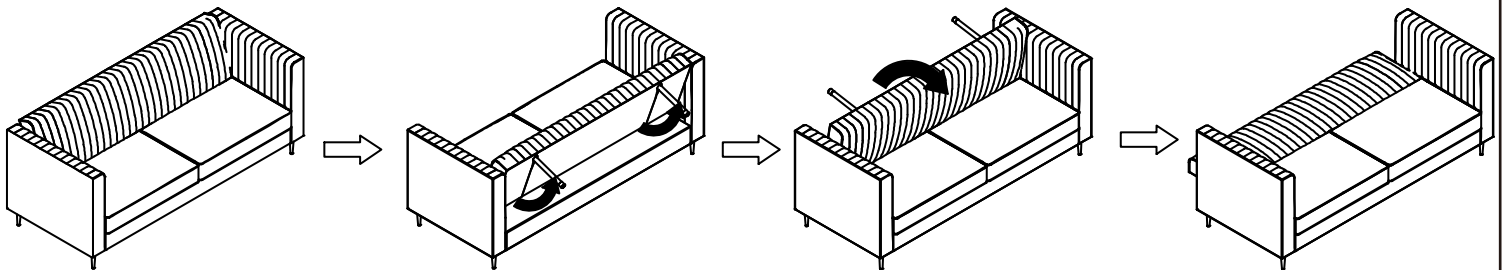
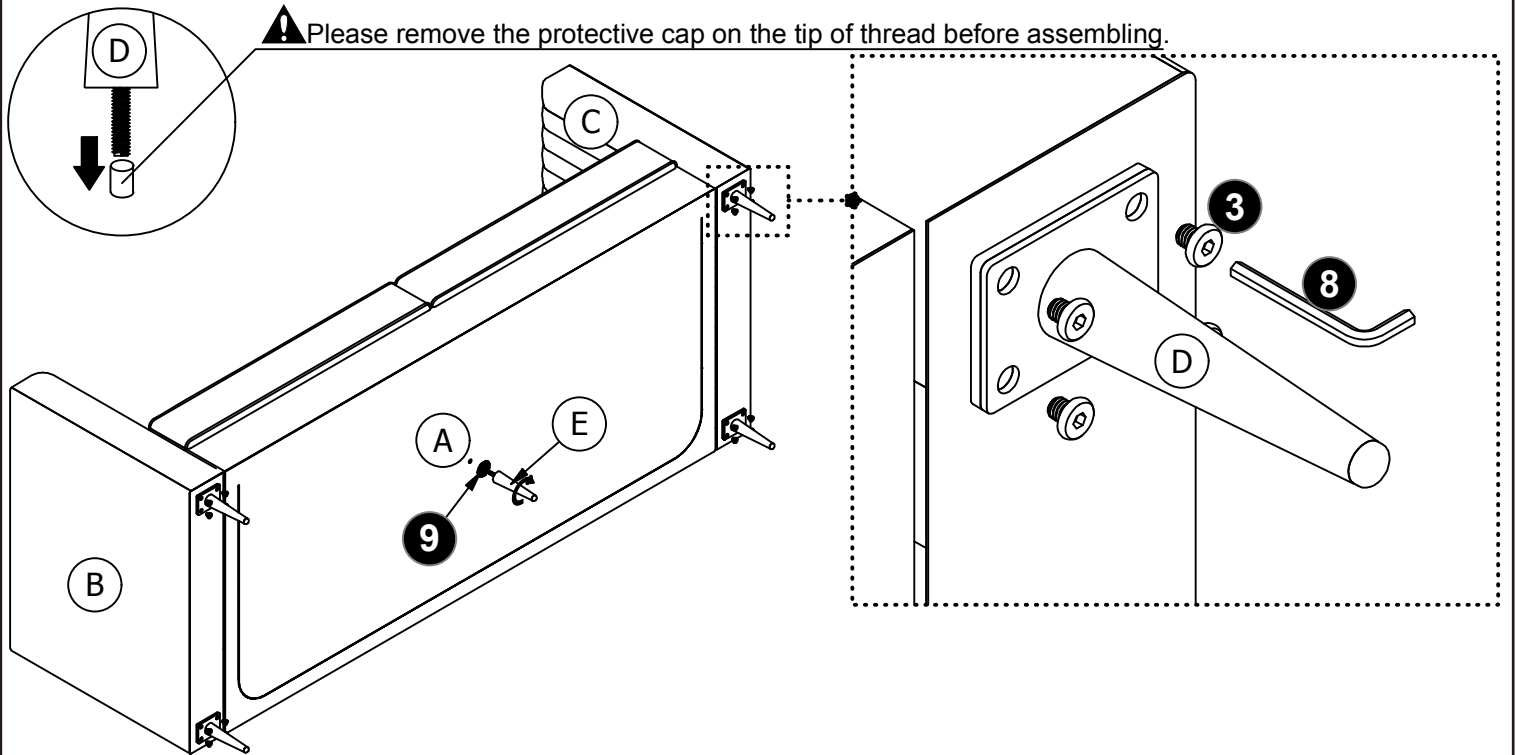
STEP 2: Attach **B** & **C** to **A** with **5**, **6**, and **7**, as shown.



STEP 3:

3.1 Attach **D** x 4 to **B** & **C** with **3**,

3.2 Manually screw **E** to **A** with **9**, as shown.



⚠ Your futon can transform between a Sofa and a Bed.

Please pull out both hidden legs behind the backrest before lowering the backrest to the bed position.