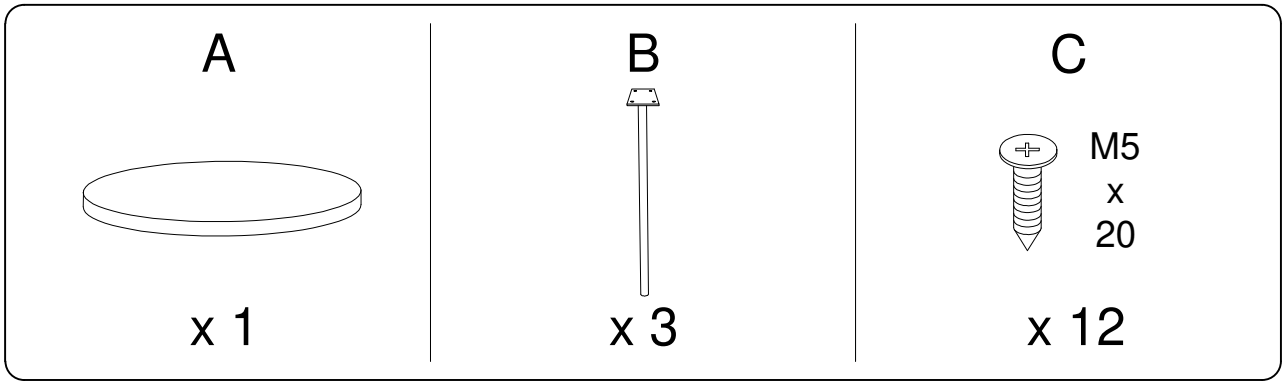


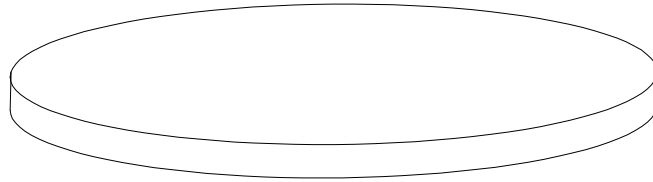
15'



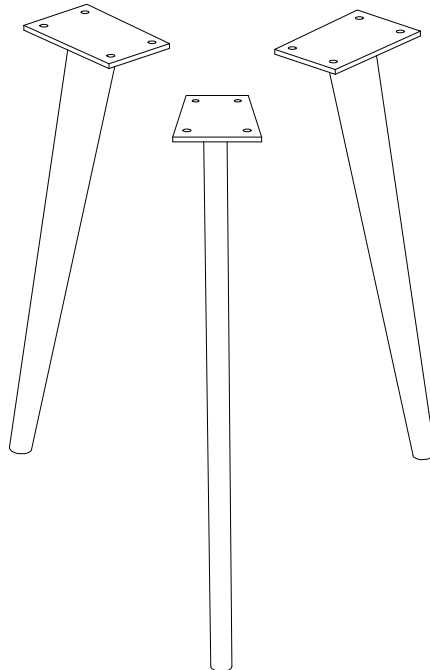
1



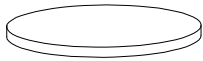


A



B x 3



1

<p>A</p>  <p>x 1</p>	<p>B</p>  <p>x 3</p>	<p>C</p>  <p>M5 x 20 x 12</p>
---	---	--

