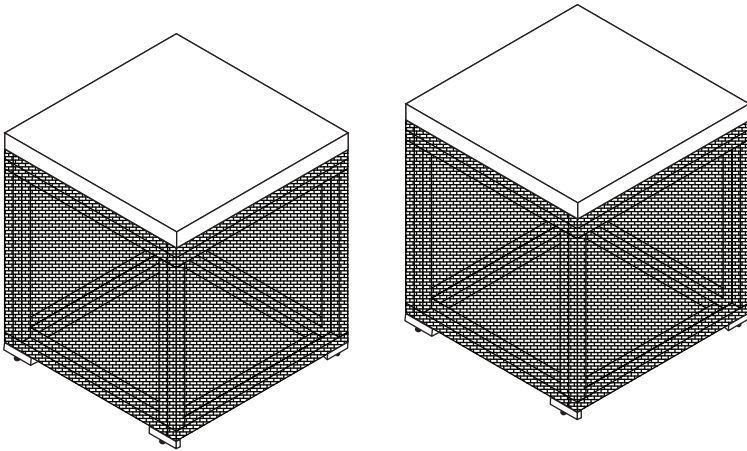


# INSTRUCTION MANUAL



**Wicker Footrest Stool**

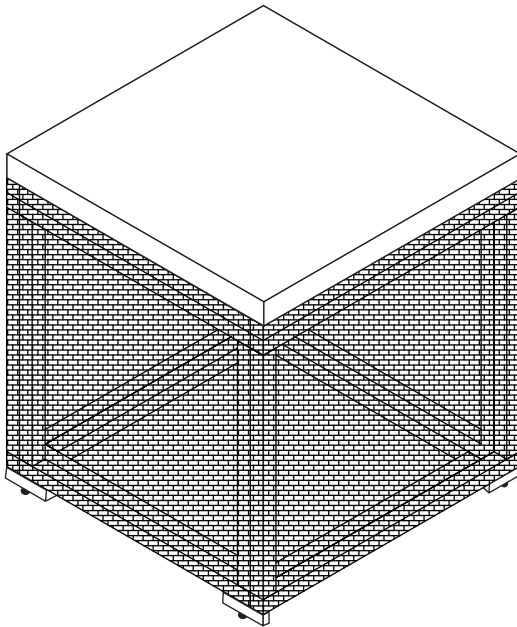
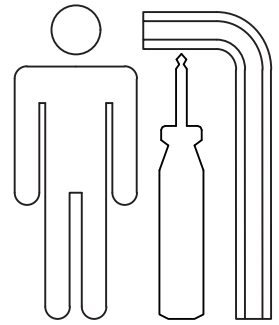
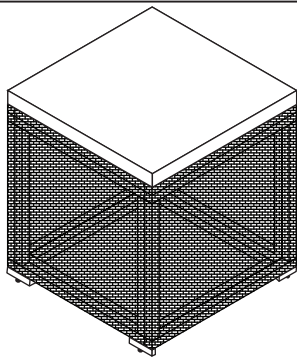
## **INTRODUCTION**

Thank you for purchasing and trusting our furniture products for your home décor plans. This product is a piece of furniture designed and manufactured by our company.

We are committed to research, development, and innovation, aiming to create high-quality and diverse outdoor furniture collections.

After unpacking and before each use, please check whether the item shows any damage. In addition, ensure that all parts and hardware are included before assembly. If any damage is found, do not use the product.

This furniture item is intended for both indoor and outdoor use. Please take time to read and follow the instructions carefully. Use this item only as described in this manual. We are not responsible for any damage caused by improper use.



Part Number	Images and Sizes	Qty.
A		4
B		4
C		2
D		2
E		2
1	M6*35	24

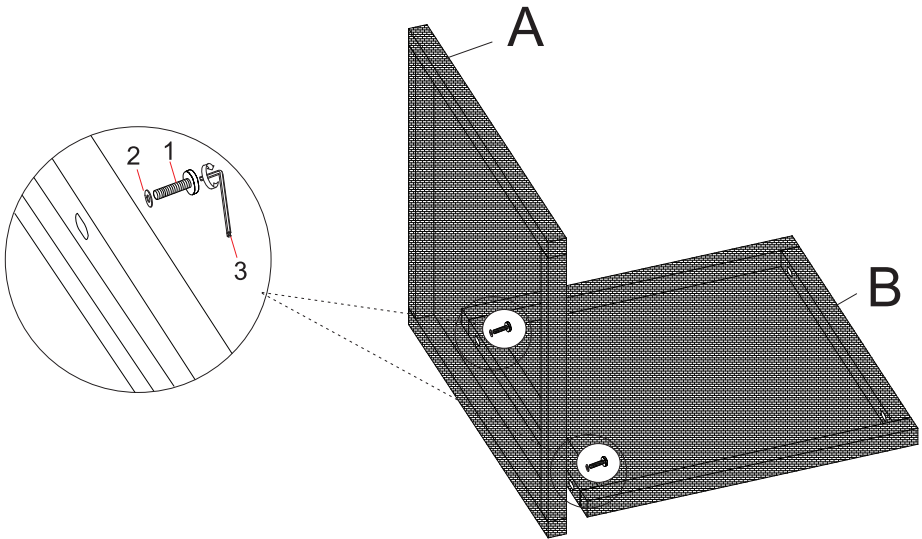
6		1	4		4	2		24
7		8	5	M4*25	40	3		2

## ASSEMBLY INSTRUCTIONS



### CAVEAT

Note: Please only tighten any bolts once all bolts are placed correctly and the product is lying flat. If you tighten one bolt, it may cause other bolts to get out of position.



### STEP 1

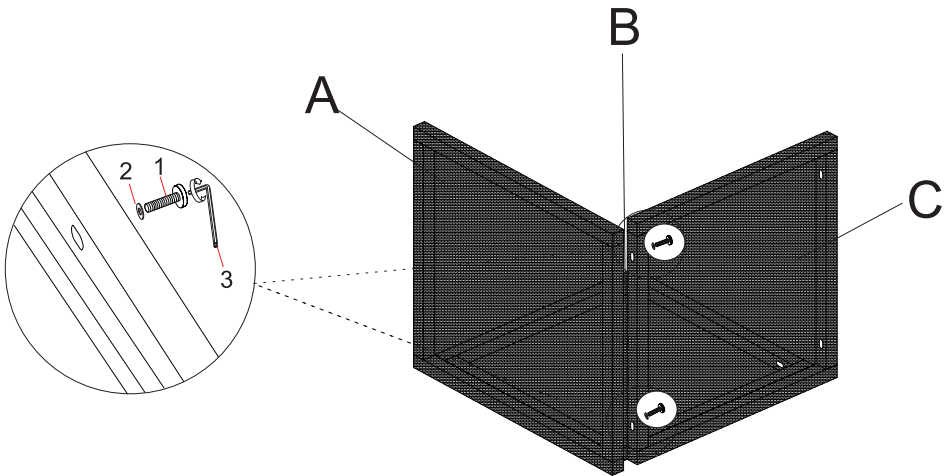
Attach side panel (A) to side panel (B) using 2 bolts (1) and 2 washers (2). Do not over-tighten them.

## ASSEMBLY INSTRUCTIONS



### CAVEAT

Note: Please only tighten any bolts once all bolts are placed correctly and the product is lying flat. If you tighten one bolt, it may cause other bolts to get out of position.



### STEP 2

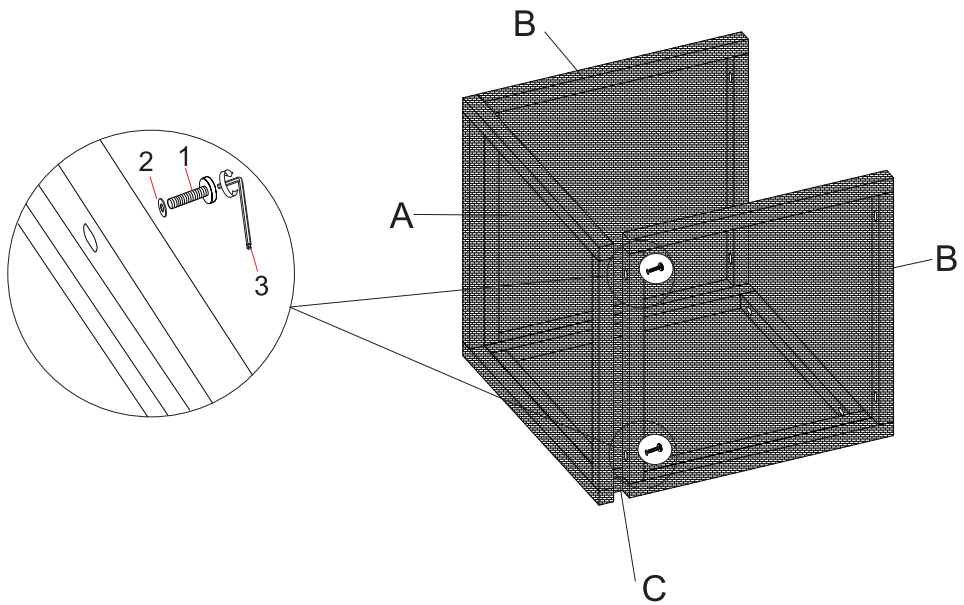
Attach base panel (C) to side panel (A) using 2 bolts (1) and 2 washers (2). Do not over-tighten them.

## ASSEMBLY INSTRUCTIONS



### CAVEAT

Note: Please only tighten any bolts once all bolts are placed correctly and the product is lying flat. If you tighten one bolt, it may cause other bolts to get out of position.



### STEP 3

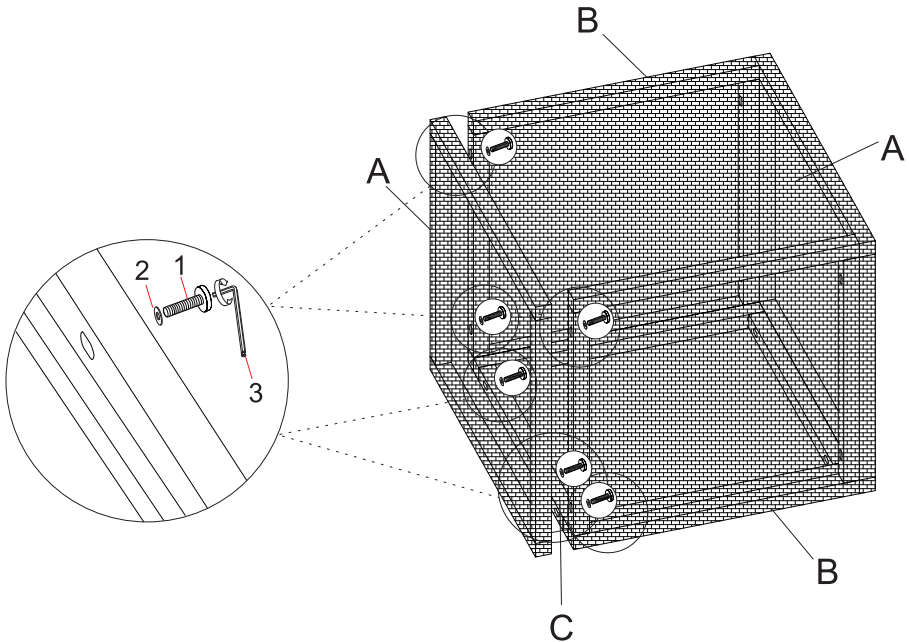
Attach side panel (B) to side panel (A) using 2 bolts (1) and 2 washers (2). Do not over-tighten them.

## ASSEMBLY INSTRUCTIONS



### CAVEAT

Note: Please only tighten any bolts once all bolts are placed correctly and the product is lying flat. If you tighten one bolt, it may cause other bolts to get out of position.



### STEP 4

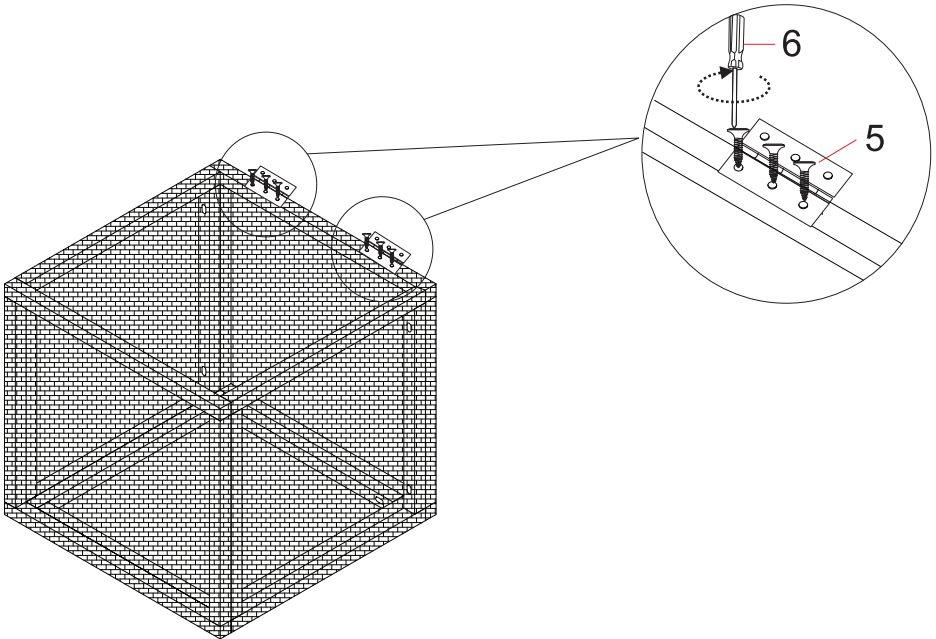
Attach side panel (A) to side panel and base panel (B&C) using 6 bolts (1) and 6 washers (2). Do not over-tighten them.

## ASSEMBLY INSTRUCTIONS



### CAVEAT

Note: Please only tighten any bolts once all bolts are placed correctly and the product is lying flat. If you tighten one bolt, it may cause other bolts to get out of position.



### STEP 5

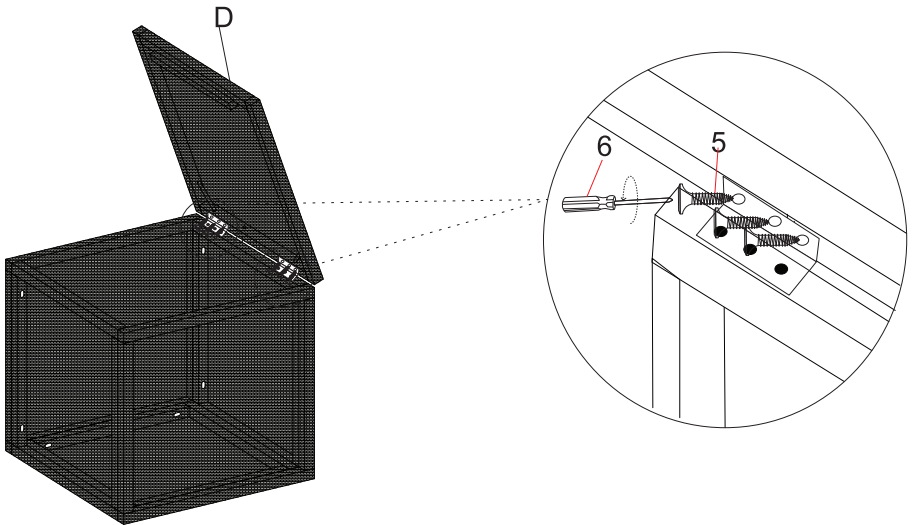
Install metal hinges (4) with 6 screws (5). Do not over-tighten them.

## ASSEMBLY INSTRUCTIONS



### CAVEAT

Note: Please only tighten any bolts once all bolts are placed correctly and the product is lying flat. If you tighten one bolt, it may cause other bolts to get out of position.



### STEP 6

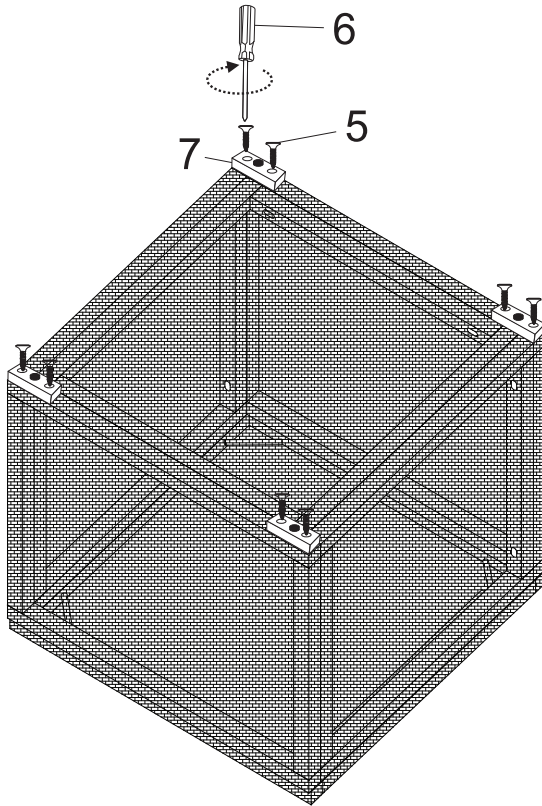
Install cover panel (D) with 6 screws (5). Do not over-tighten them.

## ASSEMBLY INSTRUCTIONS



### CAVEAT

Note: Please only tighten any bolts once all bolts are placed correctly and the product is lying flat. If you tighten one bolt, it may cause other bolts to get out of position.



### STEP 7

Install floor mats (7) with 8 screws (5). Do not over-tighten them.

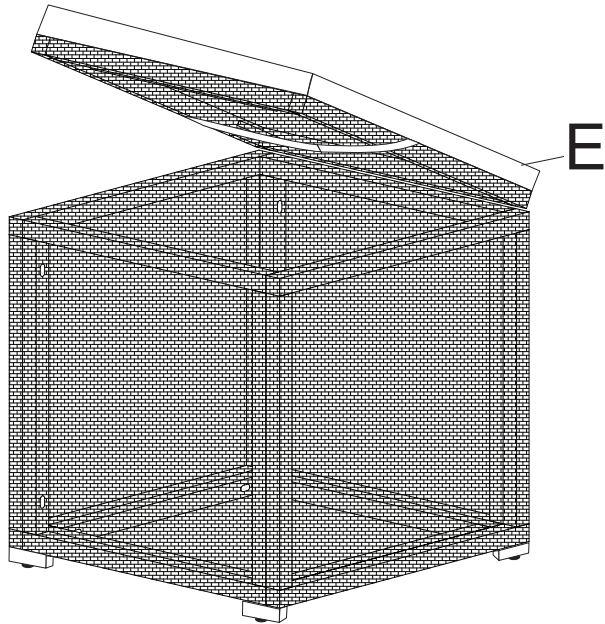
Upon completing the entire assembly and bolting up, you can tighten down all screws.

## ASSEMBLY INSTRUCTIONS



### CAVEAT

Note: Please only tighten any bolts once all bolts place correctly and the product is lying flat. If you tighten one bolt, it may cause other bolts to get out of position.



### STEP 8

Place the cushion down.

## **CARE AND MAINTENANCE**

Follow the instructions for the product's material to ensure it stays in the best shape as long as possible. The information below is a general guideline.

Don't hesitate to get in touch with us to learn more.

- Only rinse it thoroughly with clean water to wash away dirt and grime. Never use abrasive cleansers on the furniture since they can attack the surface and leave behind scratch marks.
- For stubborn grime and stains, use a soft sponge and mild soapy water. Then dry it with a cloth or paper towel.
- Check the stability of the screws, nuts, and nut caps before each use. Then, tighten them up after one to two months' use whenever required.
- Avoid improper use, and be careful not to scratch or damage the surface with sharp objects.
- When you move your furniture, lift it rather than pulling or pushing it to avoid damaging the floor, legs, and mounting.