

INSTRUCTION MANUAL ENCLOSED

ATTENTION

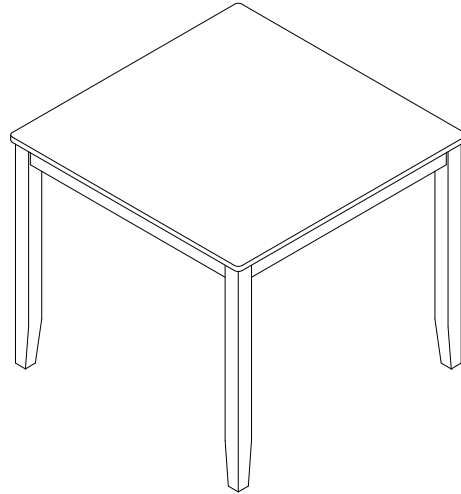
IF YOU HAVE ANY PROBLEMS OR QUESTIONS, EMAIL OR CALL CUSTOMER SERVICE BEFORE YOU RETURN THIS PRODUCT TO THE STORE WHERE IT WAS PURCHASED.

****When emailing Customer Service, please include your **Order Number** and **platform of purchase** in the email subject for quicker assistance.**

INSTRUCTION MANUAL ENCLOSED

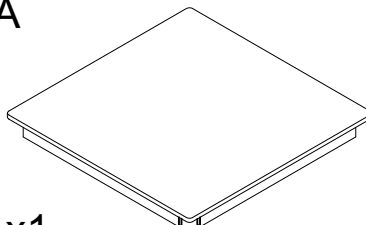
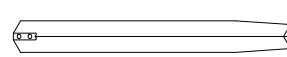
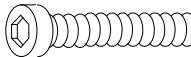
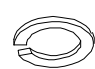


INDOOR DINING TABLE

ASSEMBLY INSTRUCTION



PARTS LIST

Parts	Description	Quantity
PARTS		
A	Table Top	1
B	Leg	4
HARDWARE		
C	ALLEN BOLT 5/16" x 2-1/4"	8
D	SPRING WASHER 5/16 "	8
E	FLAT WASHER 5/16 "	8
F	ALLEN KEY #M5	1
SPARE PART		
C	ALLEN BOLT 5/16" x 2-1/4"	1
D	SPRING WASHER 5/16 "	1
E	FLAT WASHER 5/16 "	1

<p>A</p>  <p>x1</p>	<p>B</p>  <p>x4</p>	<p>C</p>  <p>x8 Ø5/16*2 1/4"</p>
<p>D</p>  <p>x8 Ø5/16</p>	<p>E</p>  <p>x8 Ø5/16</p>	<p>F</p>  <p>x1 #M5</p>

PLEASE READ AND FOLLOW ALL SAFETY TIPS

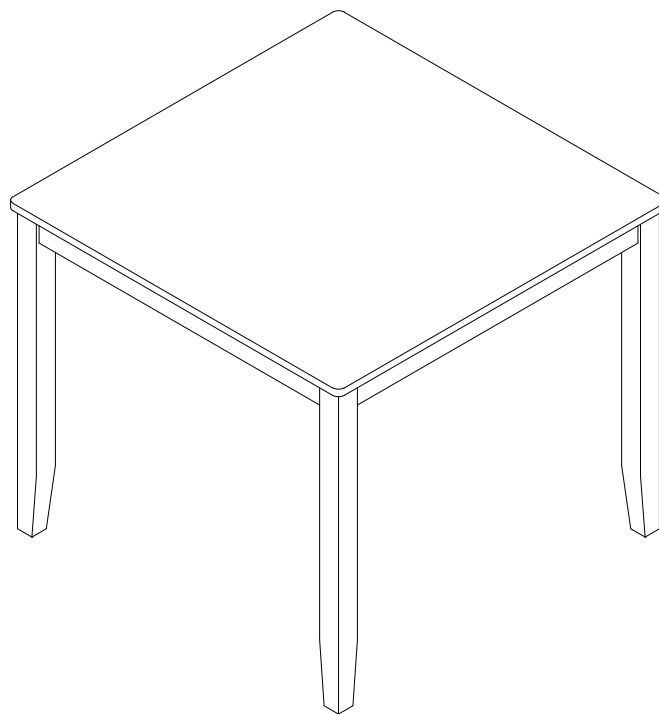
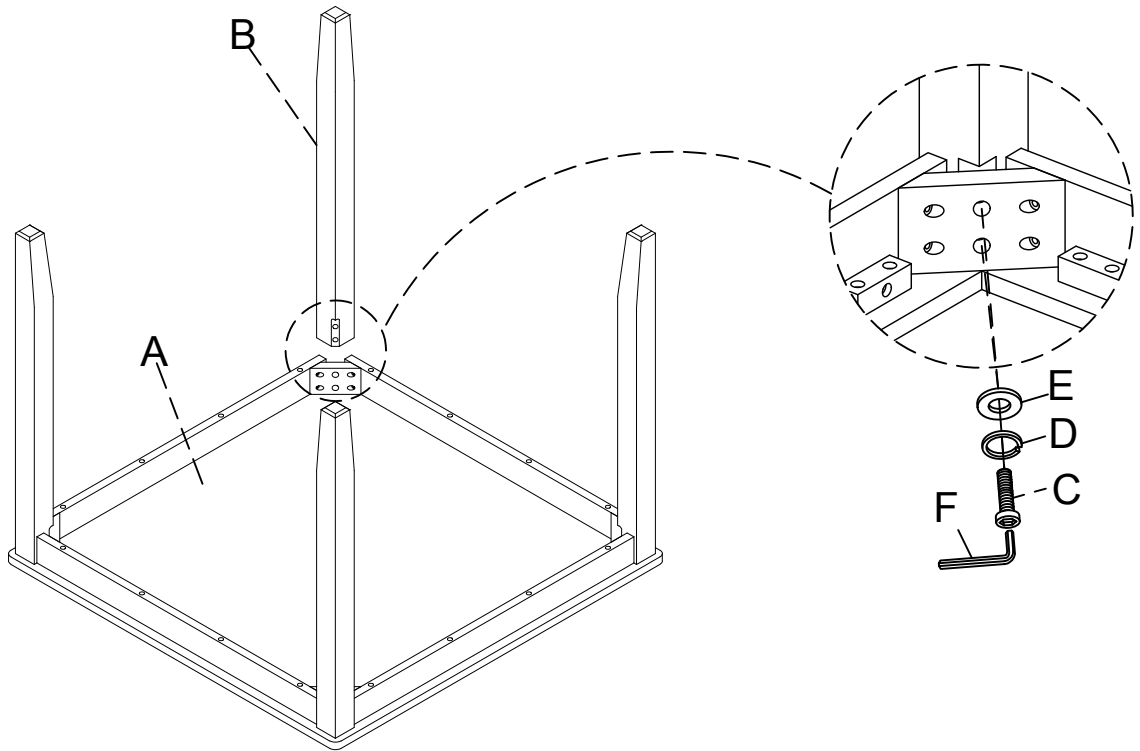
GETTING STARTED

1. Before assembly, CAREFULLY use scissors or utility knife to cut and unwrap all parts. Make sure you do not discard the hardware.
2. Make sure that you have all the parts listed. If you are missing any parts, please email us. Please identify the parts you need and model number. Make sure to include your name and address.
3. Please include your **Order Number** and **platform of purchase** in the email subject, and one of our customer service representative will get back to you.

Warm Tips:

1. The plastic covers on some metal parts are just for product protection. Please remove it before assembly.
2. Please follow the sequence of AI during assembly.
3. Do not tighten the screws until all of them are in right positions.

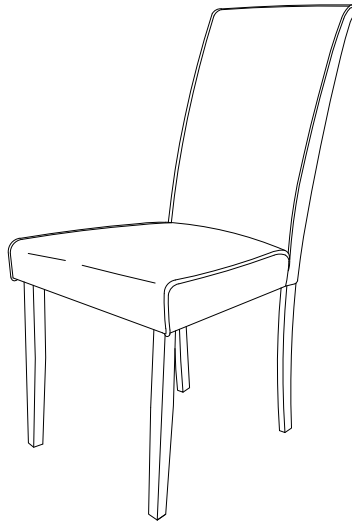
- 1 Place the table top (A) upside down on a soft and flat surface. Assemble table leg (B) by using Allen Key (F) with hardware C, D, and E.



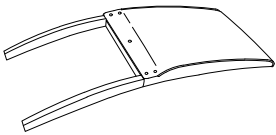
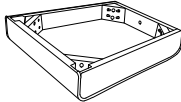
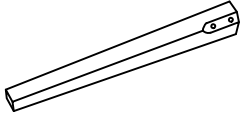






You have completed assembling the furniture - enjoy!

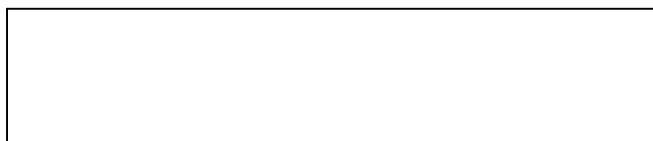
INSTRUCTION MANUAL ENCLOSED

INDOOR DINING CHAIR ASSEMBLY INSTRUCTION



Parts	DESCRIPTION	Quantity
PARTS LIST		
Description		
PARTS		
A	BACK FRAME WITH CUSHION	1
B	SEAT FRAME WITH CUSHION	1
C	FRONT LEG	2
HARDWARE		
D	ALLEN BOLT 1/4" x 3-1/4"	4
E	ALLEN BOLT 1/4" x 2-1/4"	4
F	ALLEN BOLT 1/4" x 1-1/2"	1
G	SPRING WASHER 1/4 "	9
H	FLAT WASHER 1/4 "	9
I	ALLEN KEY #M4	1
SPARE PART		
D	ALLEN BOLT 1/4" x 3-1/4"	1
E	ALLEN BOLT 1/4" x 2-1/4"	1
F	ALLEN BOLT 1/4" x 1-1/2"	1
G	SPRING WASHER 1/4 "	3
H	FLAT WASHER 1/4 "	3

<p>A</p>  <p>x1</p>	<p>B</p>  <p>x1</p>	<p>C</p>  <p>x2</p>
<p>D</p>  <p>x4 1/4" x 3-1/4"</p>	<p>E</p>  <p>x4 1/4" x 2-1/4"</p>	<p>F</p>  <p>x1 1/4" x 1-1/2"</p>
<p>G</p>  <p>x9 Ø1/4</p>	<p>H</p>  <p>x9 Ø1/4</p>	<p>I</p>  <p>x1 #M4</p>



PLEASE READ AND FOLLOW ALL SAFETY TIPS

GETTING STARTED

1. Before assembly, CAREFULLY use scissors or utility knife to cut and unwrap all parts. Make sure you do not discard the hardware.
2. Make sure that you have all the parts listed. If you are missing any parts, please email us. Please identify the parts you need and model number. Make sure to include your name and address.
3. Please include your **Order Number** and **platform of purchase** in the email subject, and one of our customer service representative will get back to you.

Warm Tips:

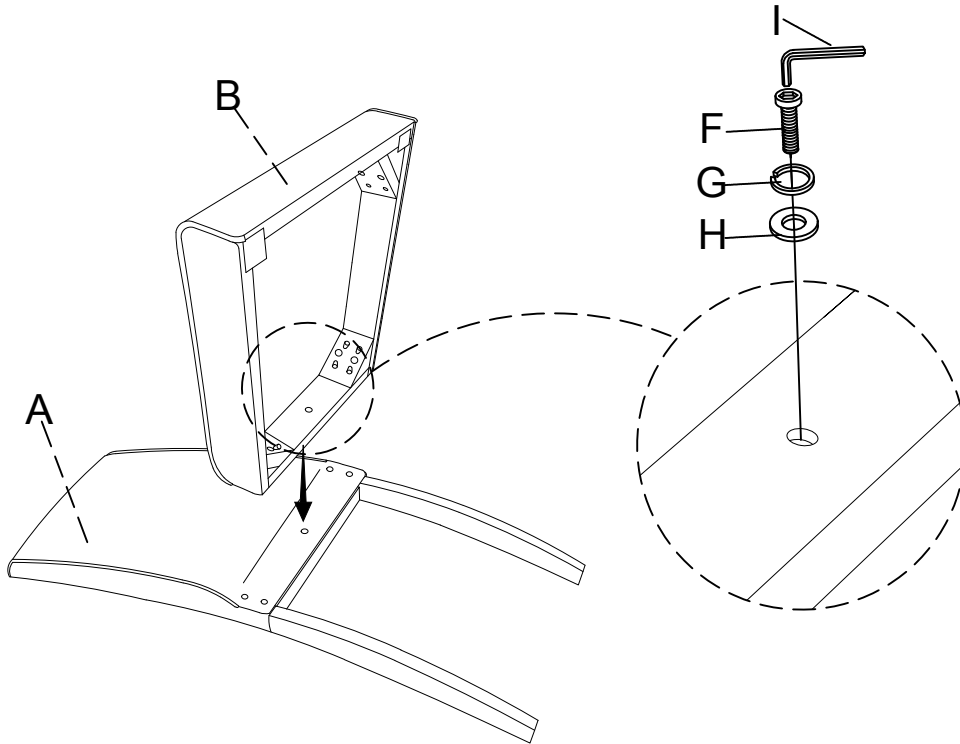
1. The plastic covers on some metal parts are just for product protection. Please remove it before assembly.
2. Please follow the sequence of AI during assembly.
3. Do not tighten the screws until all of them are in right positions.

1

Place the chairback (A) on a soft and clean surface.

Assemble the cushion seat (B) with the chairback (A) by using Allen Key (I) with hardware F,G, and H.

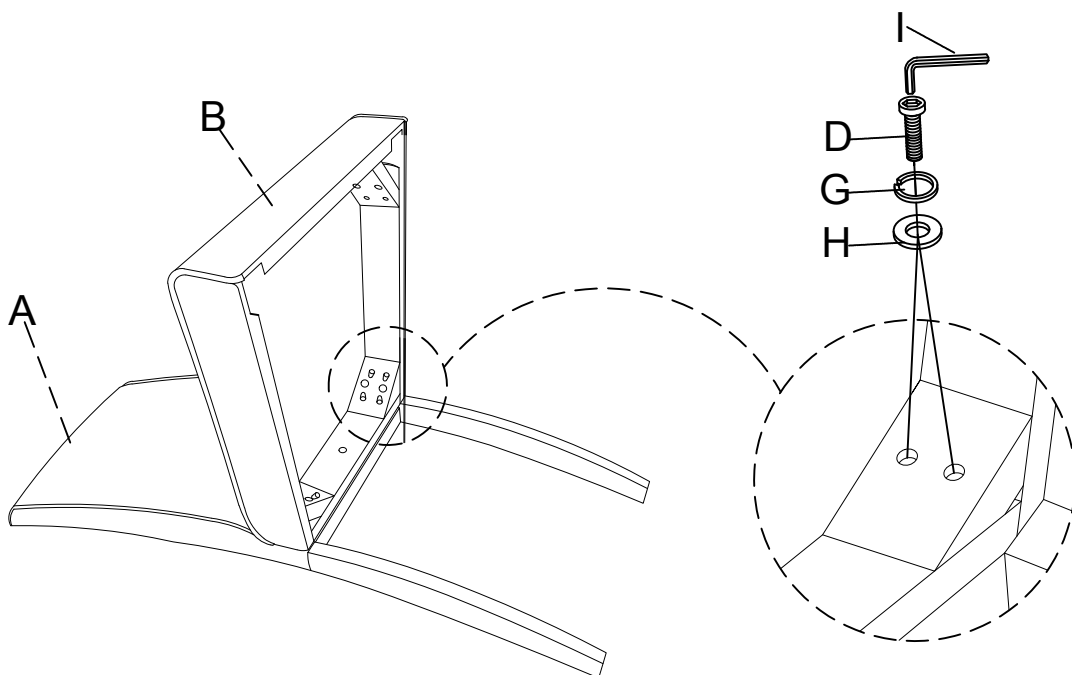
****Attention: DO NOT TIGHTEN THE BOLTS.**



2

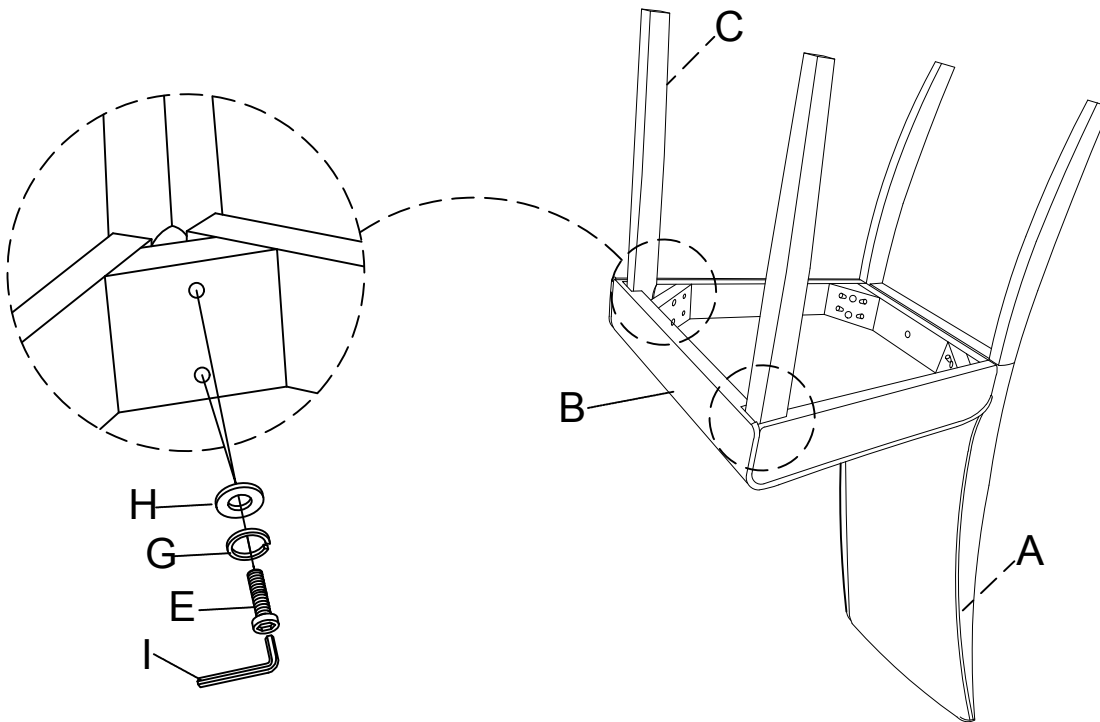
Assemble the cushion seat (B) with the back legs of the chairback (A) by using Allen Key (I) with hardware D, G, and H.

****Attention: DO NOT TIGHTEN THE BOLTS.**

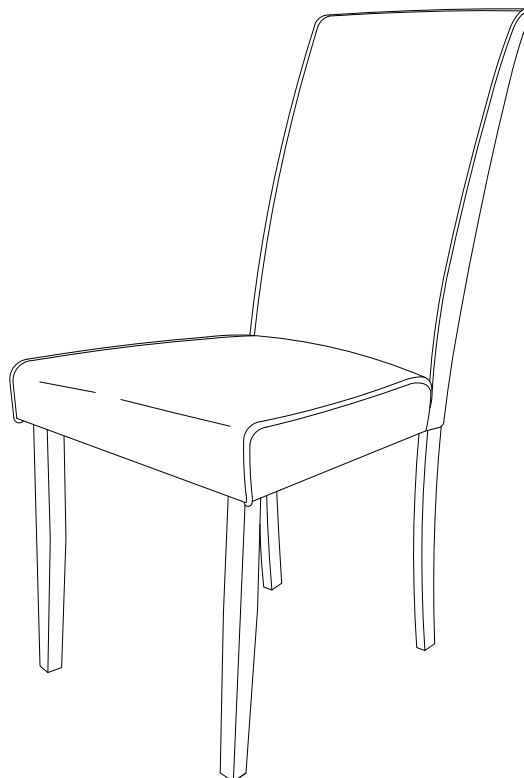


3 Assemble the front legs (C) with the Cushion Seat (B) by using Allen Key (I) with hardware E, G, and H.

****Attention: DO NOT TIGHTEN THE BOLTS**



To level the chair, stand the chair up on a flat surface and tighten all the bolts by using Allen Key (I) .



You have completed assembling the furniture - enjoy!