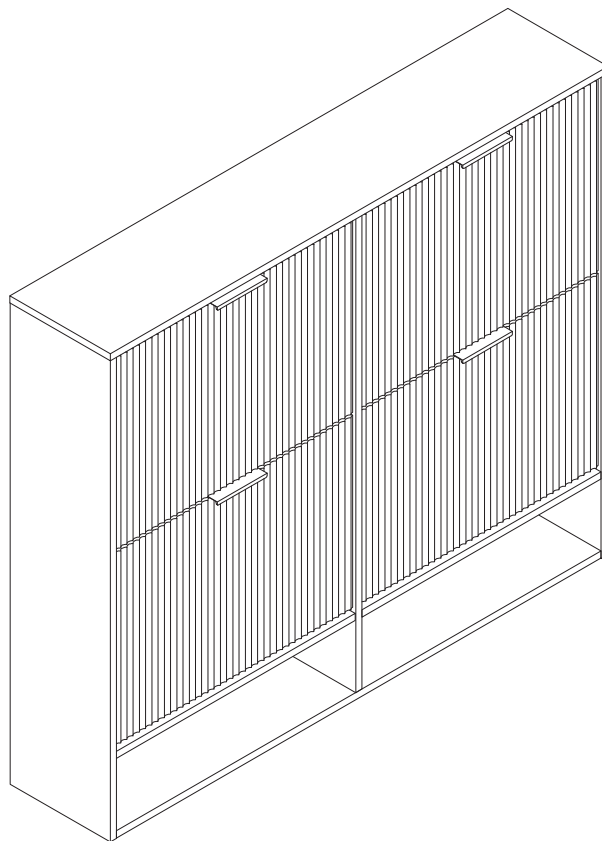
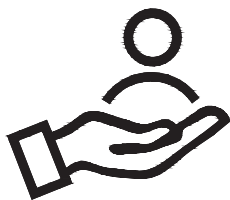


# Assembly Instruction



“



## Warm Reminder

If you experience any issues with our product (including missing parts, damage, or not meeting expectations), please contact us. We'll ensure satisfactory assistance within 24hours.

”

## General Guidelines

- Please read the following instructions carefully and use the product accordingly.
- Please keep this manual and hand it over when you transfer the product.
- This summary may not include every detail of all variations and considered steps. Please contact us if further information or assistance is needed.

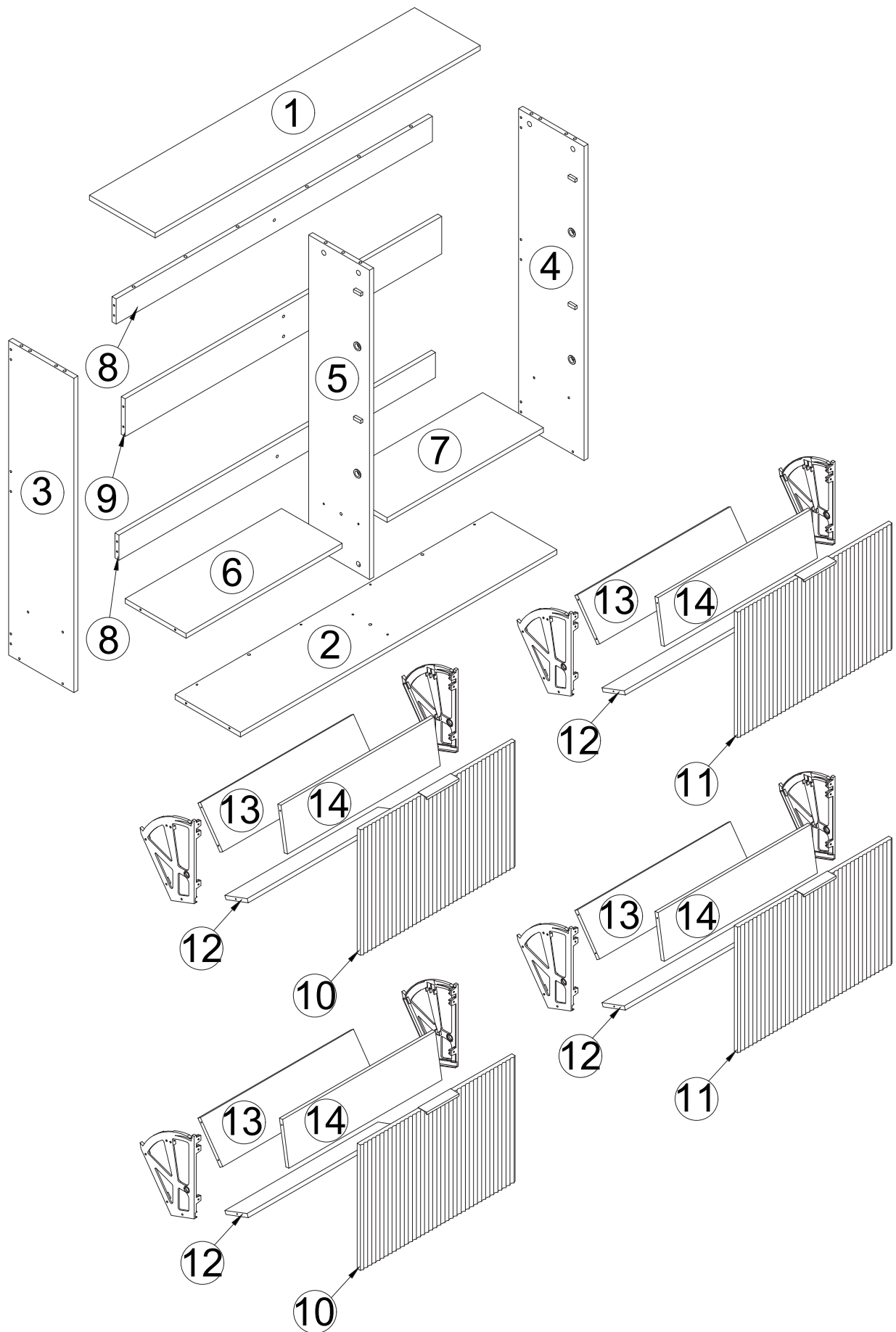
## Notes

- The product is intended for indoor use only. It must be assembled and used in accordance with the provisions of the manual. Personal injury and/or damage to the product may occur if the product is used outside of its intended purpose and/or if it has been changed/modified from its original design. The seller does not assume any responsibility or liability for injury or damage caused by incorrect assembly or improper use.
- Avoid long-term exposure to humid environments to prevent mildew.
- Keep the product away from fire sources and high temperatures. Do not expose the product to direct sunlight.
- Do not place any hot objects on the surface of the product.
- If there are any defective or missing parts after unpacking, please cease assembly immediately and contact us.
- Assemble the item on a spacious surface and avoid placing the unwrapped product directly on the ground to prevent damage.
- Do not stand or sit on the wooden boards.
- Wear gloves during the assembly and/or disassembly process to avoid scratches from any sharp edges.
- Match each part and fitting based on the part number in the manual.
- If a part does not match the fitting, please check the manual for clarification.
- During assembly, first loosely align all screws with the corresponding pre-drilled holes, then tighten them one by one.
- Periodically inspect the screw tightness while the product is in use. Retighten if necessary to ensure structural integrity.
- If you accidentally spill water or any other liquid on the surface, immediately wipe it clean with a dry towel.
- Keep the product away from sharp, pointed objects and corrosive substances to prevent damage.
- Place the item on level, solid ground during use.

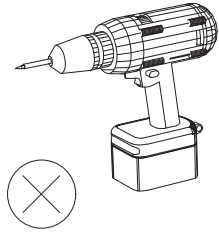
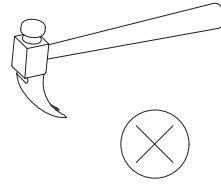
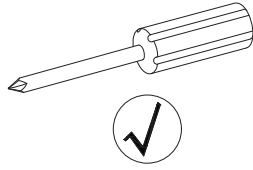
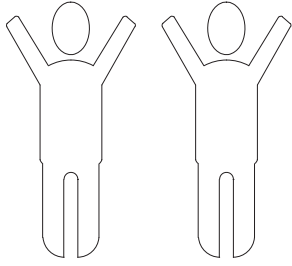
## Warnings

- During assembly, keep all small parts out of the reach of children, as they may be fatal if swallowed or inhaled.
- Children should not climb or play on the product to avoid tipping over and causing serious injury.
- To avoid the potential danger of suffocation, keep all packaging materials (film, plastic bags, foam, etc.) away from babies and children.
- Do not shake or move the product violently during use to avoid tipping over.

# Parts List (EN)



# Parts List (EN)



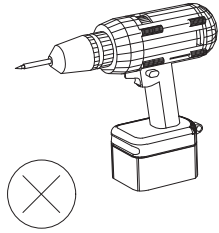
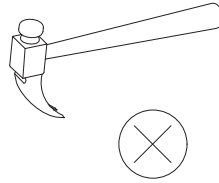
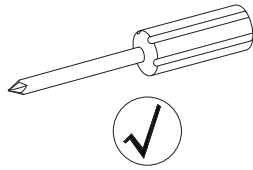
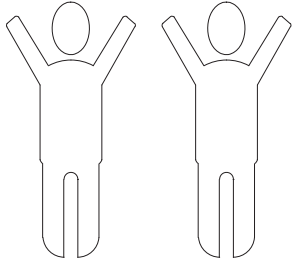
<p><b>1</b></p> <p>1PCS</p>	<p><b>2</b></p> <p>1PCS</p>	<p><b>3</b></p> <p>1PCS</p>	<p><b>4</b></p> <p>1PCS</p>
-----------------------------	-----------------------------	-----------------------------	-----------------------------



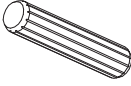

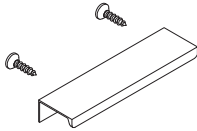
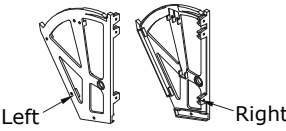

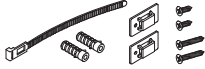

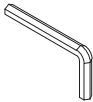
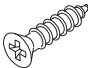
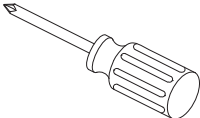
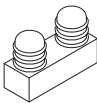



<p><b>5</b></p> <p>1PCS</p>	<p><b>6</b></p> <p>1PC</p>	<p><b>7</b></p> <p>1PC</p>	<p><b>8</b></p> <p>2PCS</p>
-----------------------------	----------------------------	----------------------------	-----------------------------

<p><b>9</b></p> <p>1PC</p>	<p><b>10</b></p> <p>2PCS</p>	<p><b>11</b></p> <p>2PCS</p>	<p><b>12</b></p> <p>4PCS</p>
----------------------------	------------------------------	------------------------------	------------------------------

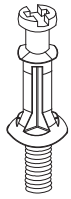
<p><b>13</b></p> <p>4PCS</p>	<p><b>14</b></p> <p>4PCS</p>		
------------------------------	------------------------------	--	--

# Parts List (EN)



<p><b>No. A</b> Quantity: 20+2 Pcs Cam Lock Dowel 6*40mm</p> 	<p><b>No. B</b> Quantity: 20+2 Pcs Cam φ15</p> 	<p><b>No. C</b> Quantity: 12+1 Pcs Dowel 8*30mm</p> 	<p><b>No. D</b> Quantity: 4 Pcs Foot Pad Ø15*5</p> 
<p><b>No. E</b> Quantity: 4 Sets Handle</p> 	<p><b>No. F</b> Quantity: 4 Sets Flip cover accessories</p> 	<p><b>No. G</b> Quantity: 48 Pcs Sticker Ø20</p> 	<p><b>No. H</b> Quantity: 2 Sets Anti-falling Parts</p> 
<p><b>No. I</b> Quantity: 24+2 Pcs Screw M5*40mm</p> 	<p><b>No. J</b> Quantity: 1 Pcs Allen Key 3#</p> 	<p><b>No. K</b> Quantity: 56+4 Pcs Screw M3.5*14mm</p> 	<p><b>No. L</b> Quantity: 1 Pcs Screwdriver</p> 
<p><b>No. M</b> Quantity: 8 Pcs Flip cover accessories 26*17*9</p> 	<p><b>No. N</b> Quantity: 8 Pcs Flip cover accessories Ø26*11</p> 	<p><b>No. O</b> Quantity: 8 Pcs Flip cover accessories Ø19*11</p> 	<p><b>NO.P</b> Quantity: 8+2Pcs Screw M4*10mm</p> 

# Instructions For Fastening CAM-BOLT and CAM-LOCK

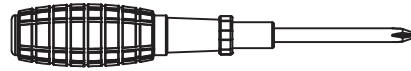


CAM-BOLT

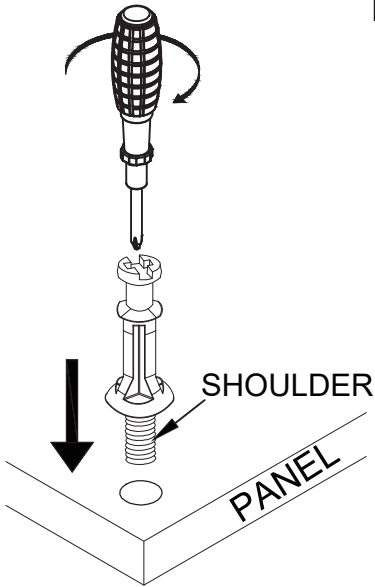


CAM-LOCK

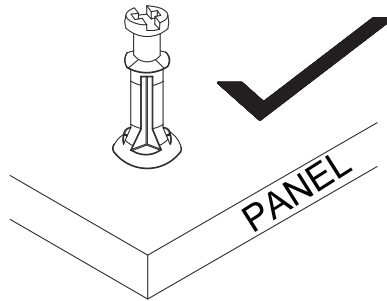
Tools Required



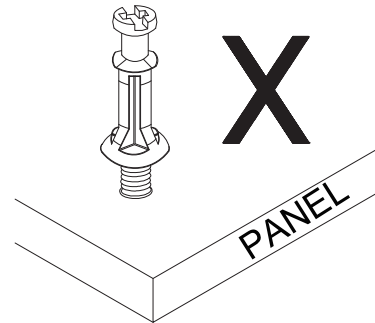
## INSERTING AND TIGHTENING CAM-BOLT



Place Cam-bolt on pre-drilled hole and screw in vertically



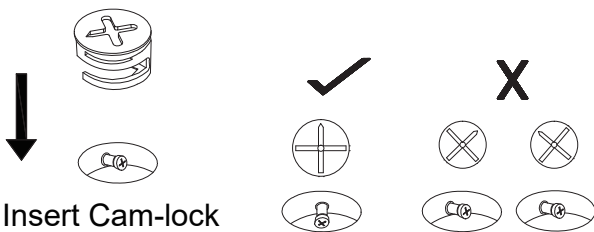
Shoulder is flushed (on the same level) with the panel.



Shoulder is above the panel.

Place Cam-bolt on the designated pre-drilled holes on the panel. Use a Phillips Screwdriver to screw-in Cam-bolt vertically until shoulder is flushed (on the same level) with panel.

## INSERTING CAM-LOCK

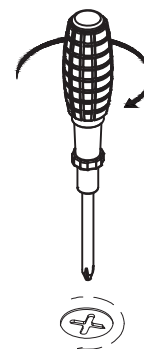


Insert Cam-lock with arrow align to Cam-bolt head

CORRECT

WRONG

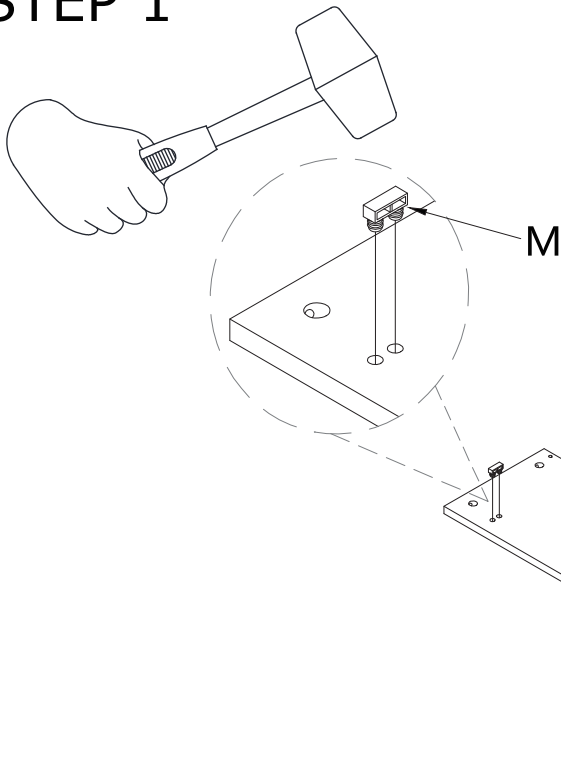
## TIGHTENING CAM-LOCK



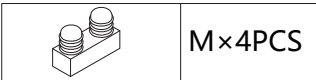
Align the arrow on the Cam-lock to the Cam-bolt head and insert the Cam-lock. Ensure Cam-lock is fully inserted.

Use a Flat-head Screwdriver to turn Camlock clockwise so it locks onto the head of the Cam-bolt. Turn until it is snug (about 3/4ths of a turn) -- over-tightening could damage Cam-lock or/and Cam-bolt.

# STEP 1

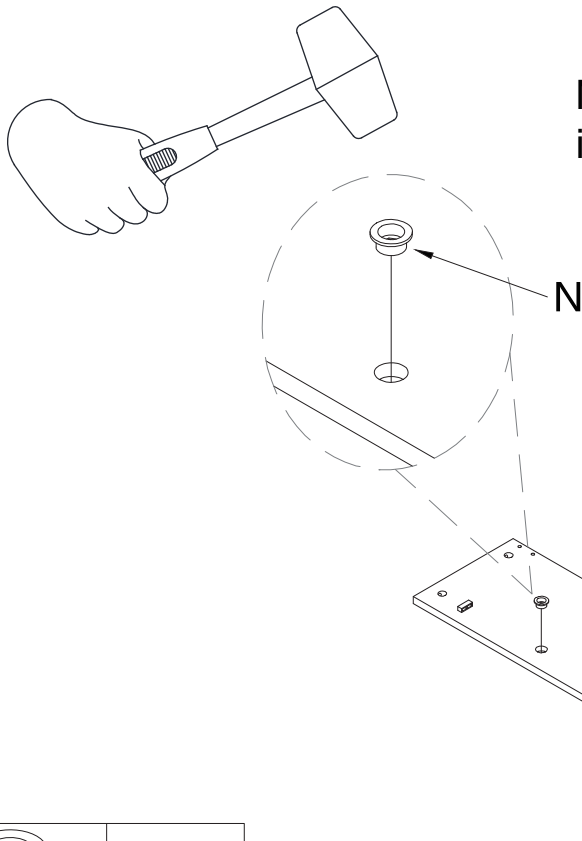


Note: The "M" accessory needs to be distinguished from top to bottom, with the holed side facing down!!!



Note: Please knock the accessory into the groove of the board.

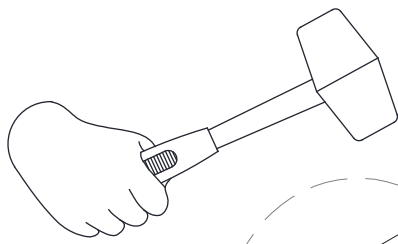
# STEP 2



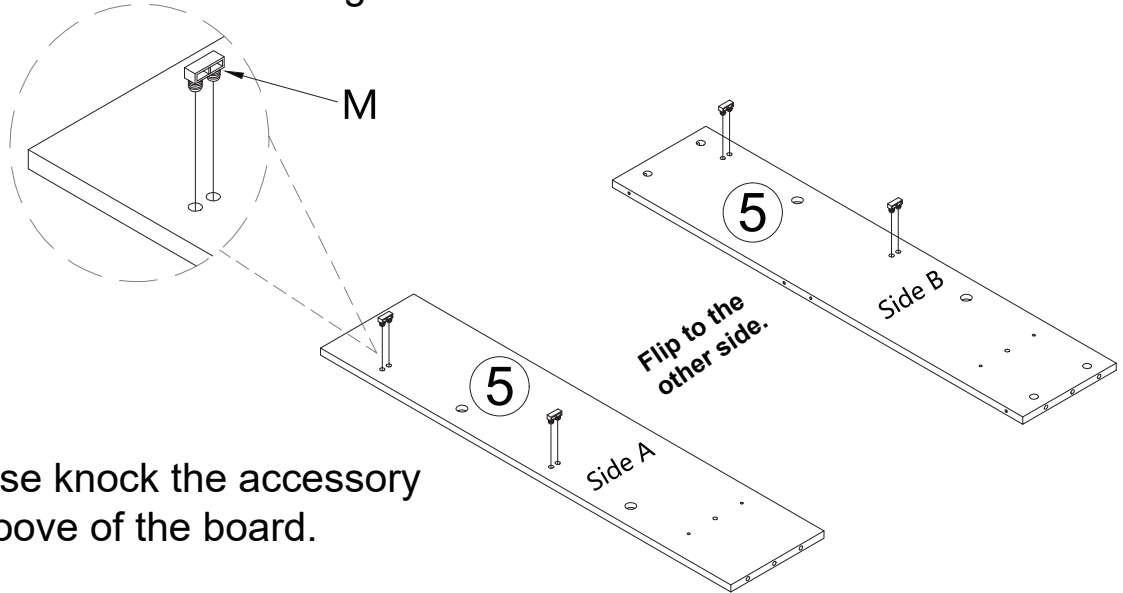
Note: Please knock the accessory into the groove of the board.



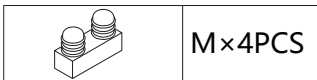
## STEP 3



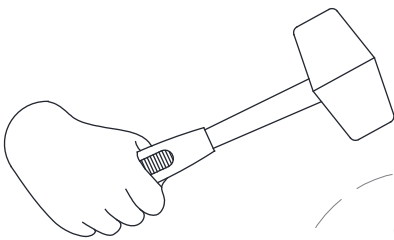
Note: The "M" accessory needs to be distinguished from top to bottom, with the holed side facing down!!!



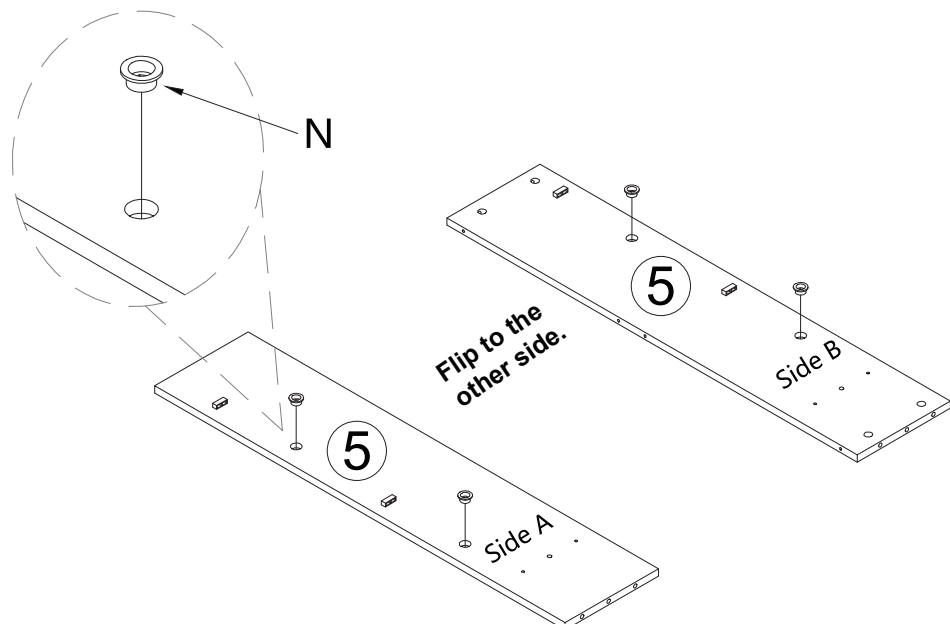
Note: Please knock the accessory into the groove of the board.



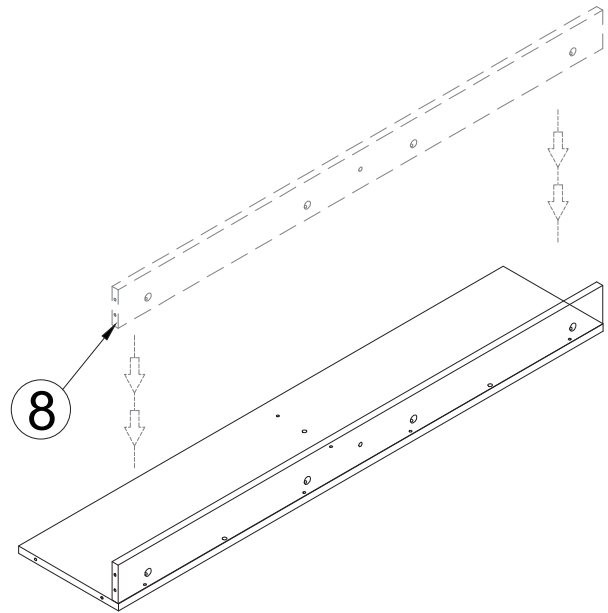
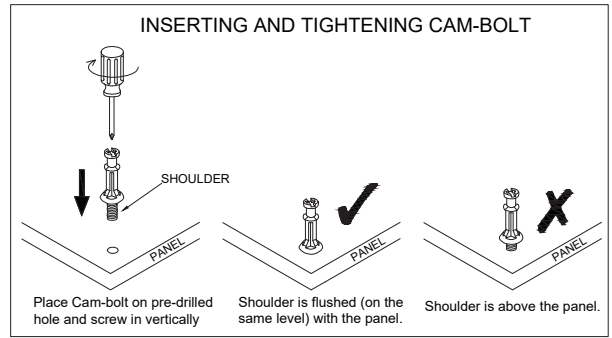
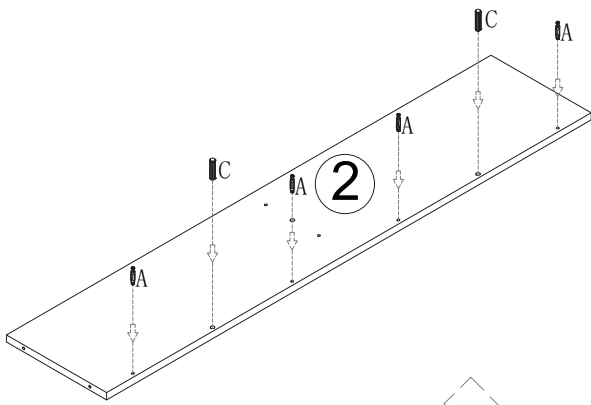
## STEP 4




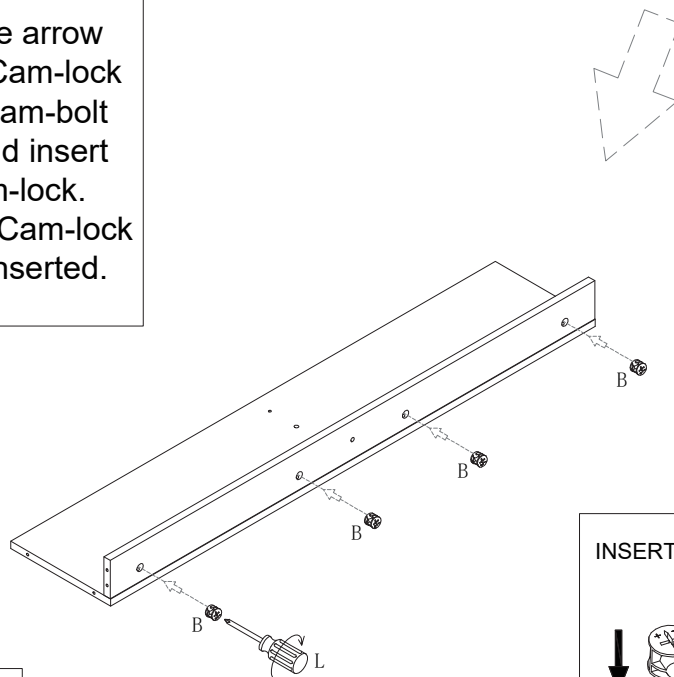
Note: Please knock the accessory into the groove of the board.






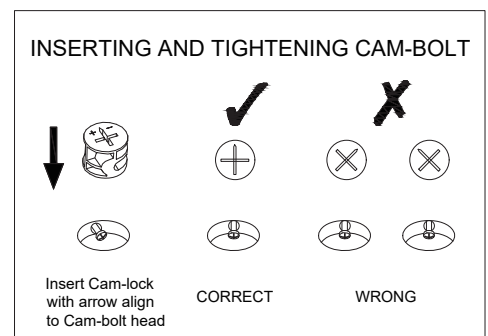
# STEP 5



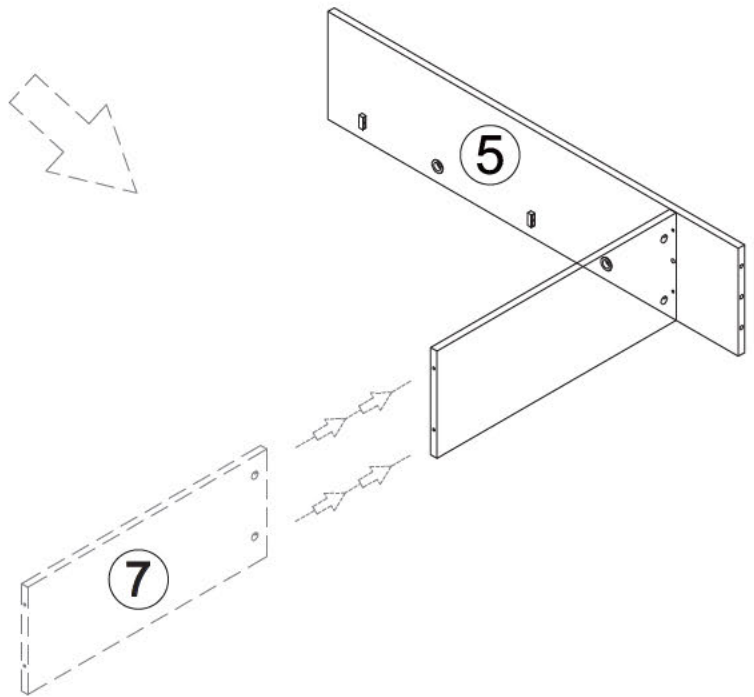
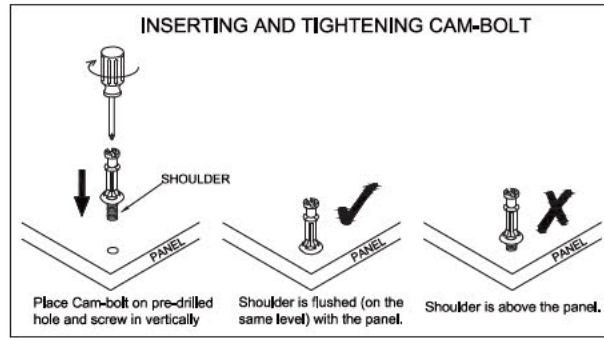
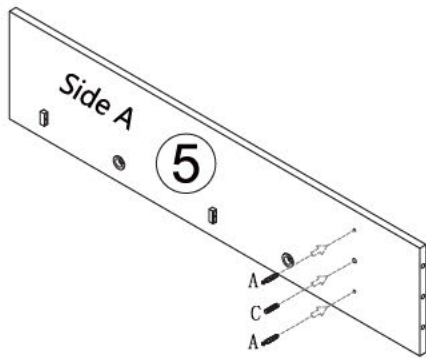
 Align the arrow on the Cam-lock to the Cam-bolt head and insert the Cam-lock. Ensure Cam-lock is fully inserted.



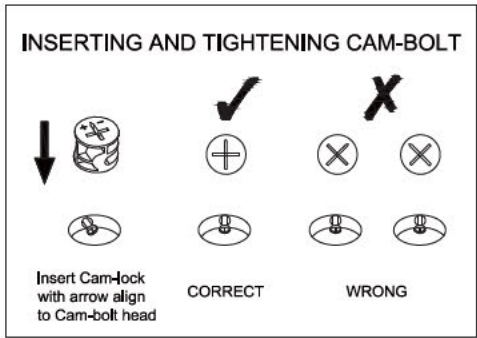
	A×4PCS
	B×4PCS
	C×2PCS



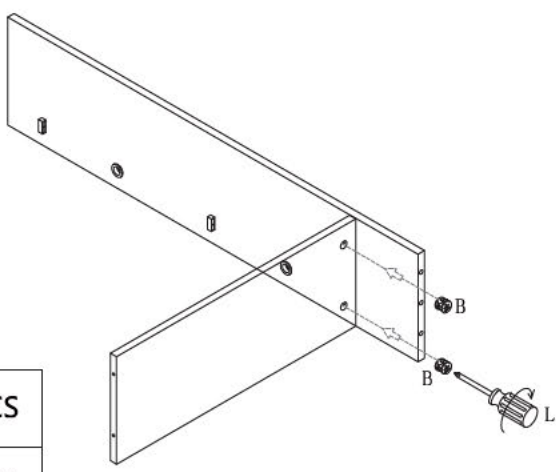
# STEP 6



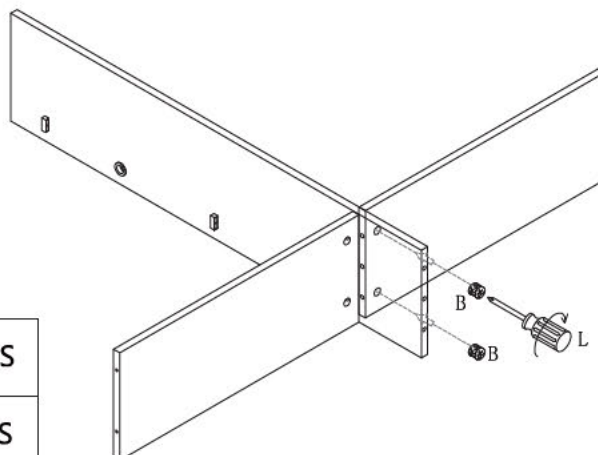
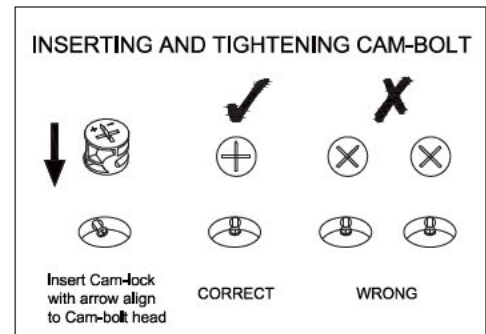
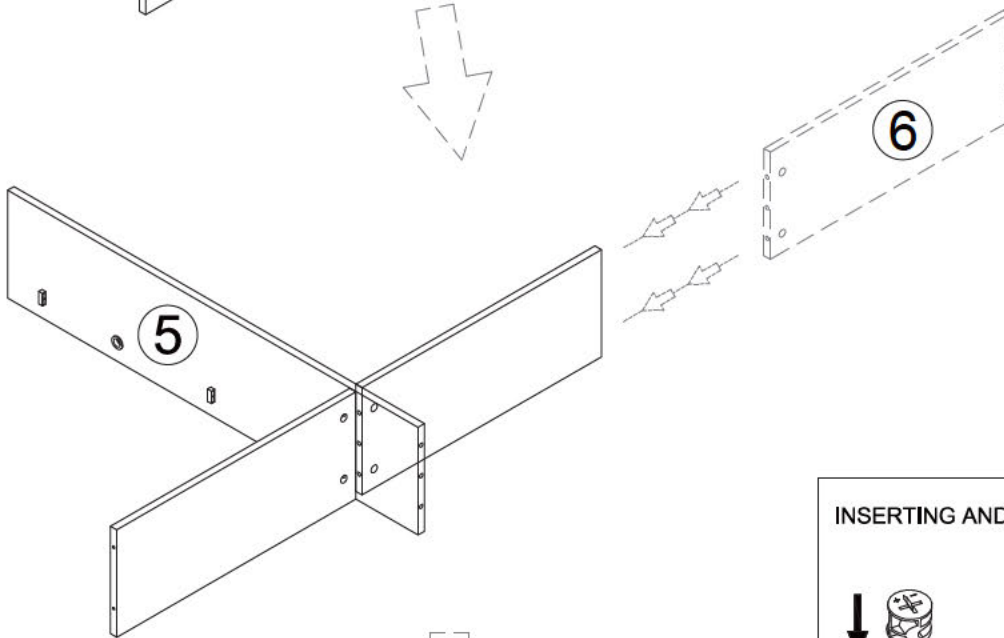
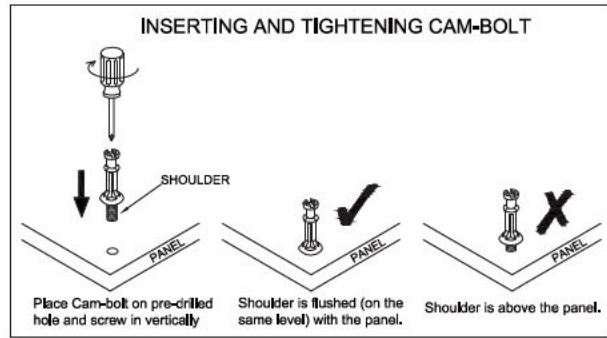
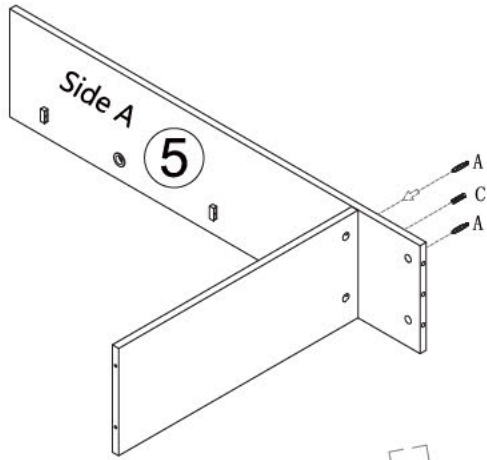
**!** Align the arrow on the Cam-lock to the Cam-bolt head and insert the Cam-lock. Ensure Cam-lock is fully inserted.



	A×2PCS
	B×2PCS
	C×1PCS



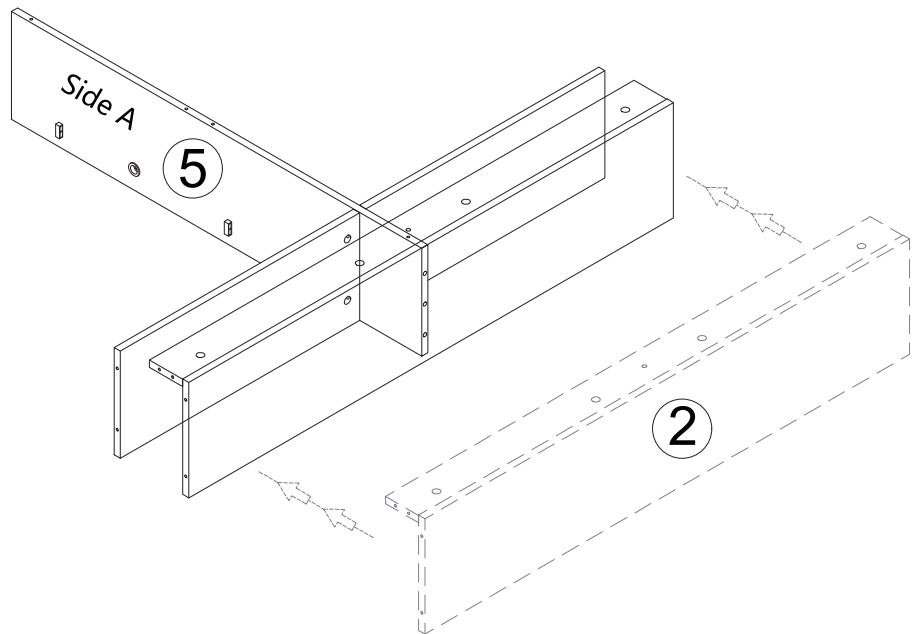
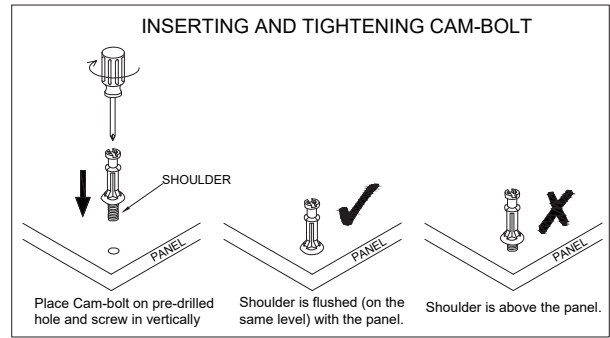
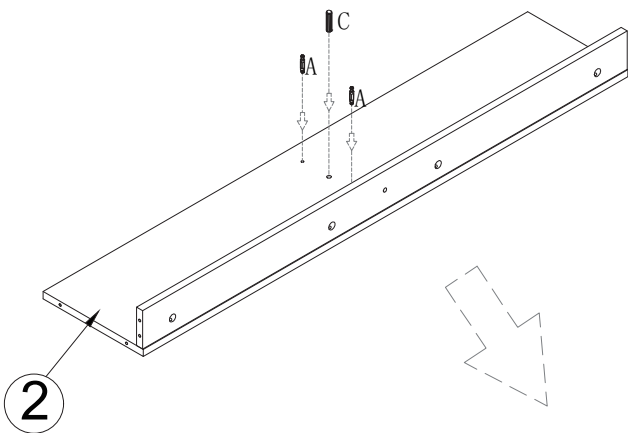
# STEP 7




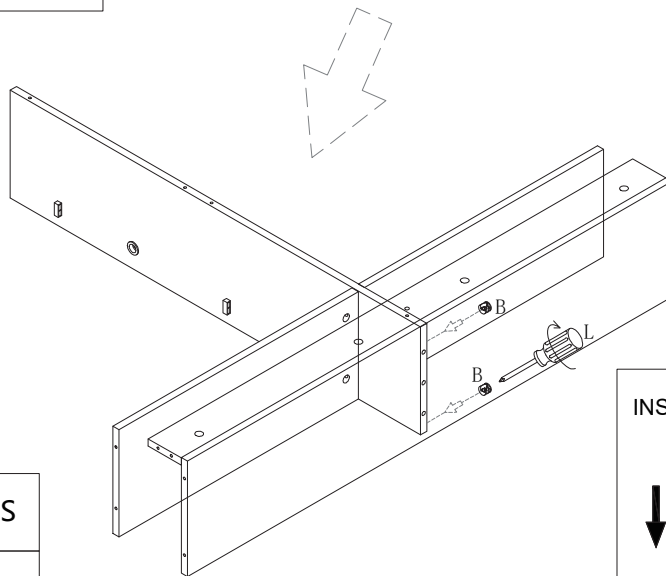
**!** Align the arrow on the Cam-lock to the Cam-bolt head and insert the Cam-lock. Ensure Cam-lock is fully inserted.



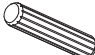
	A×2PCS
	B×2PCS
	C×1PCS

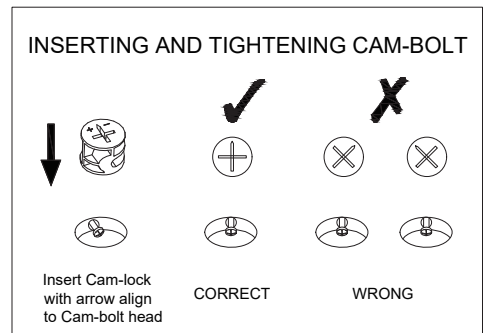
# STEP 8



 Align the arrow on the Cam-lock to the Cam-bolt head and insert the Cam-lock. Ensure Cam-lock is fully inserted.

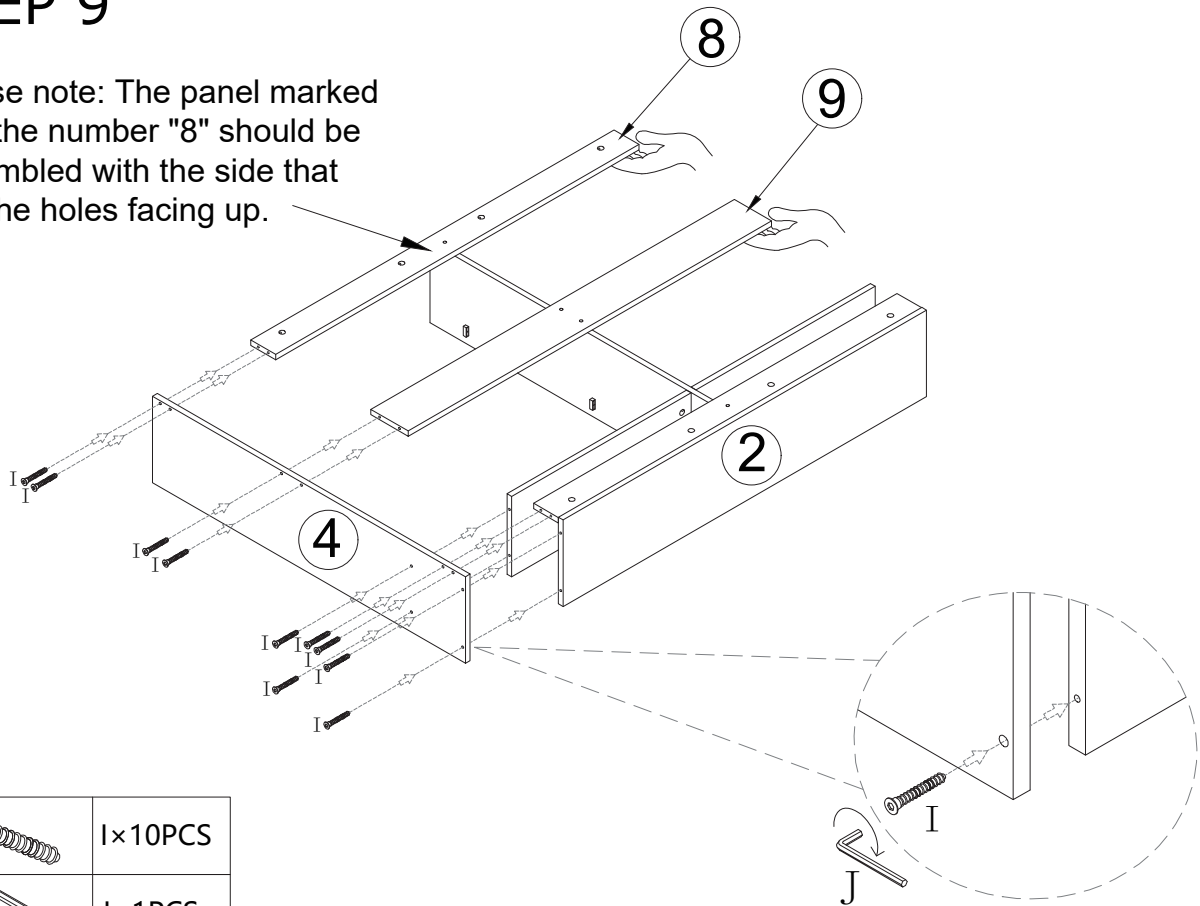




	A×2PCS
	B×2PCS
	C×1PCS



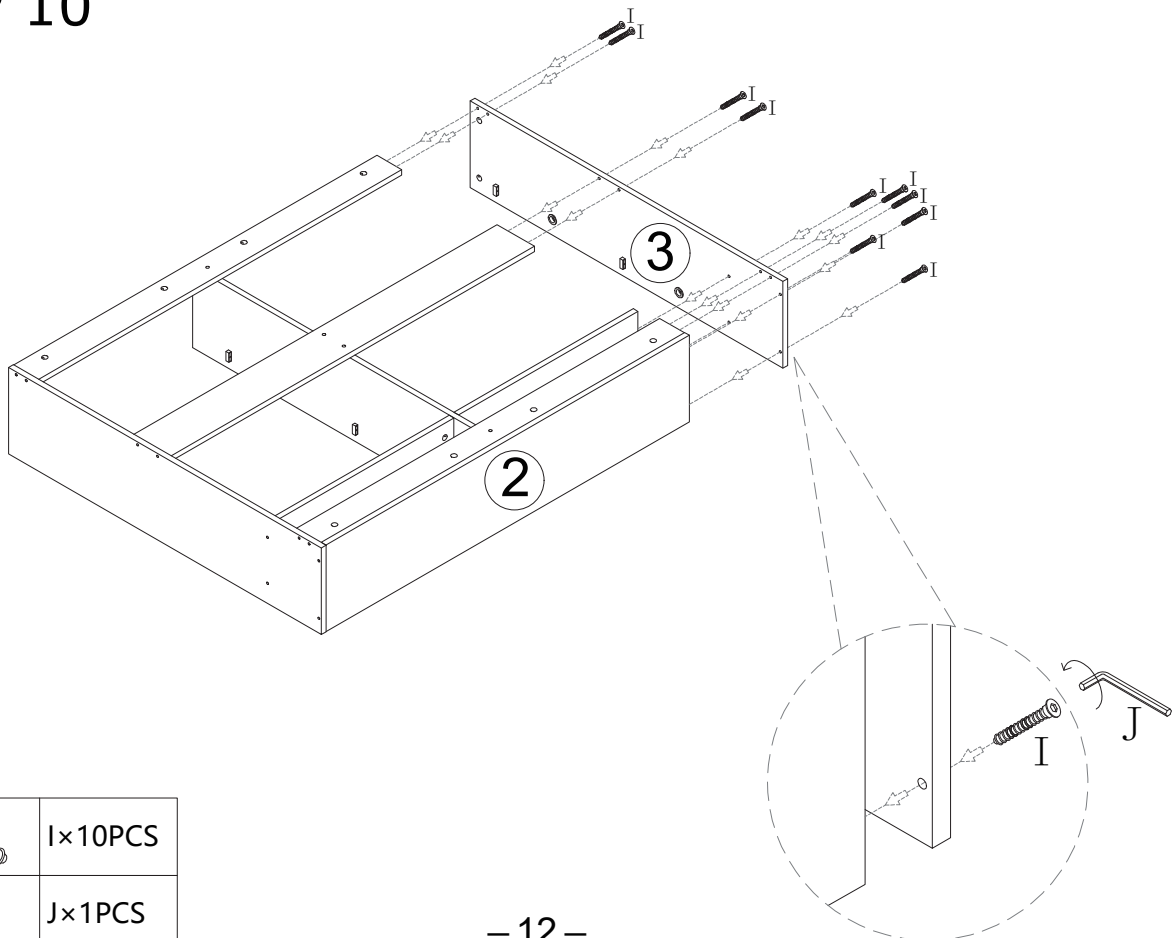
## STEP 9


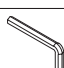
Please note: The panel marked with the number "8" should be assembled with the side that has the holes facing up.



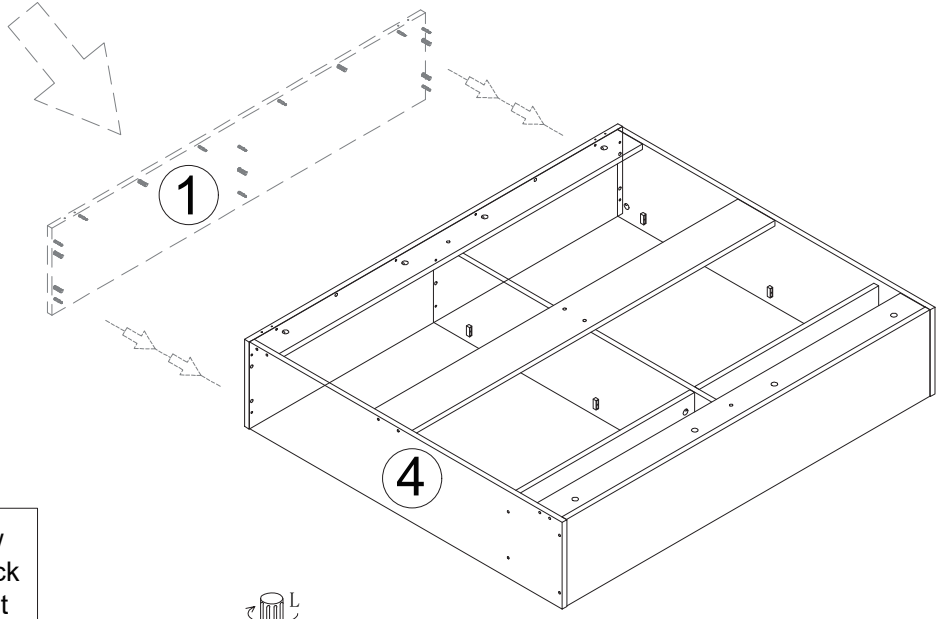
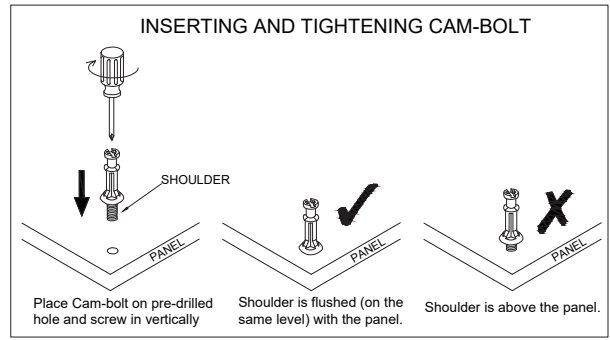
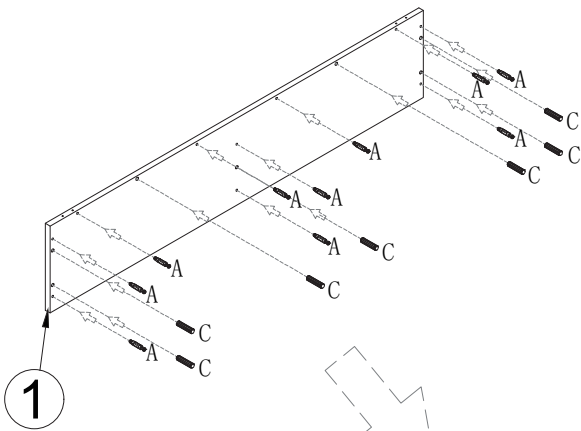
	I × 10 PCS
	J × 1 PCS

## STEP 10

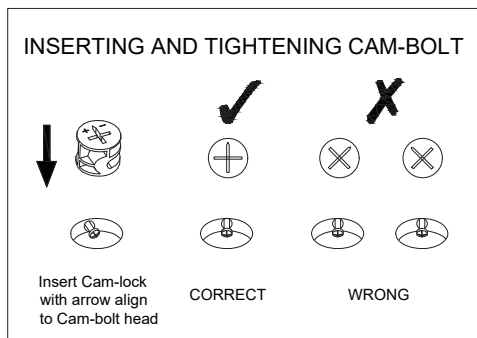
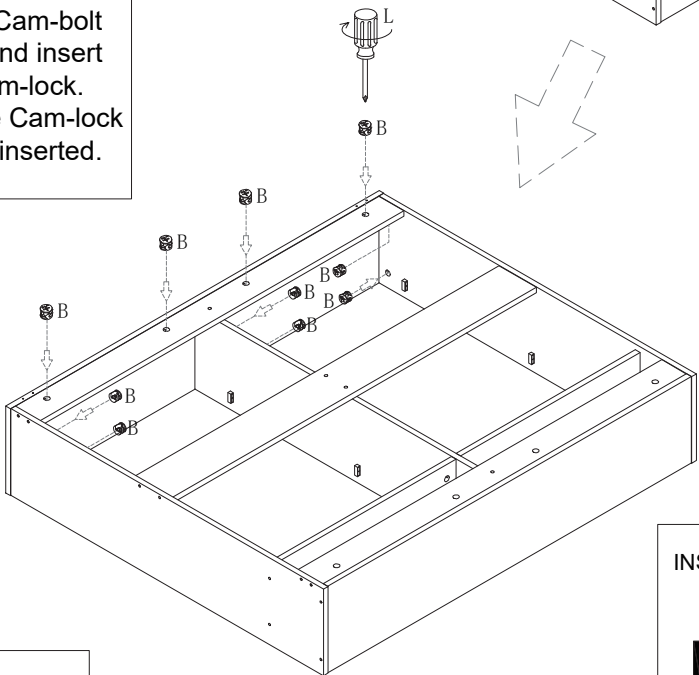


	I × 10 PCS
	J × 1 PCS

# STEP 11

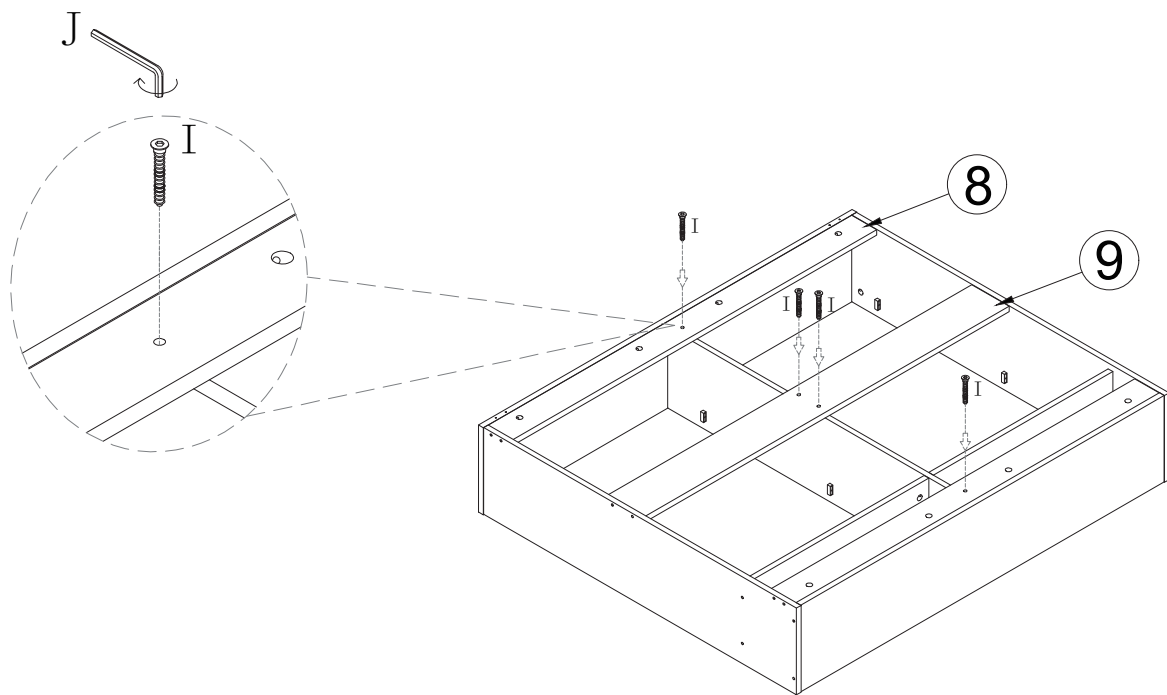




**!** Align the arrow on the Cam-lock to the Cam-bolt head and insert the Cam-lock. Ensure Cam-lock is fully inserted.



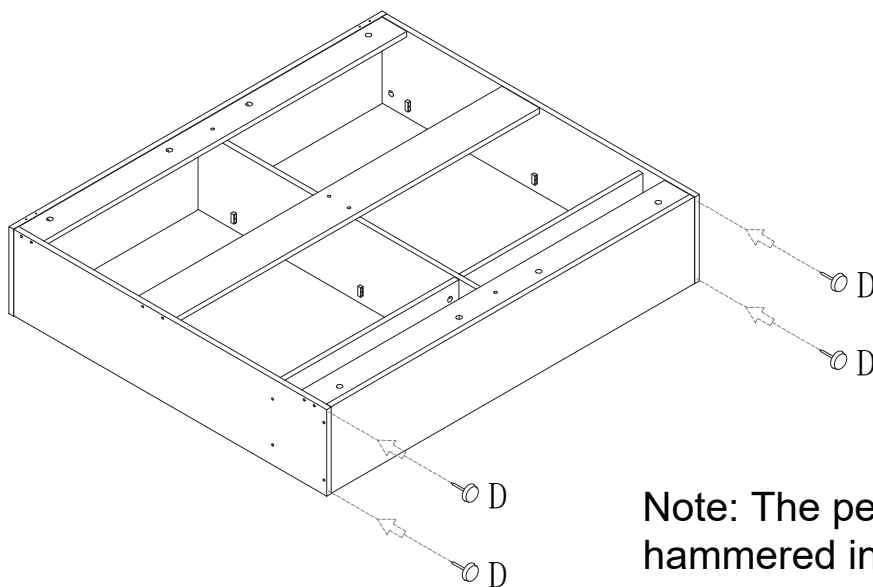
	A×10PCS
	B×10PCS
	C×7PCS

# STEP 12



	I×4PCS
	J×1PCS

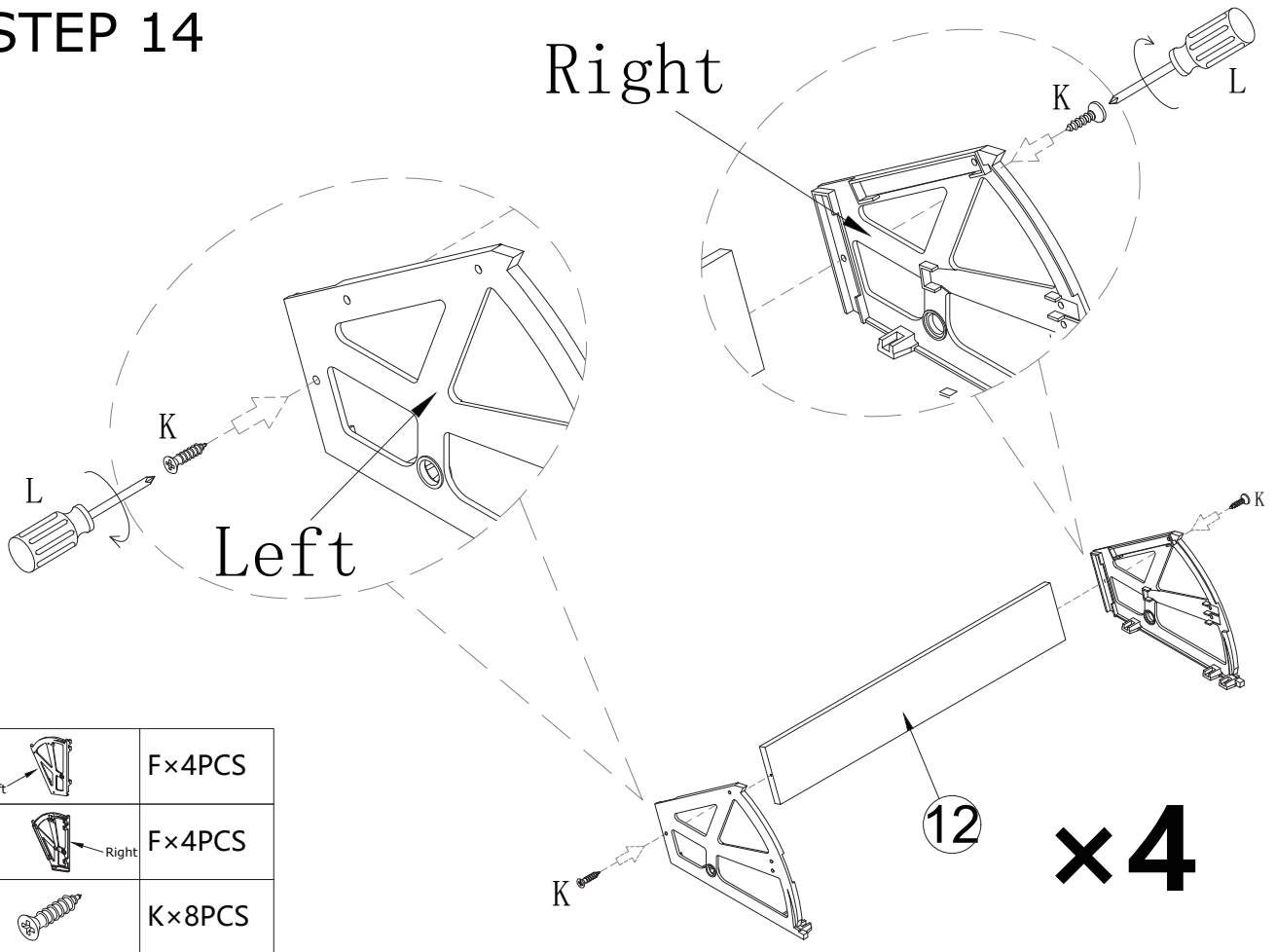
# STEP 13






Note: The pegs can be directly hammered into the board.

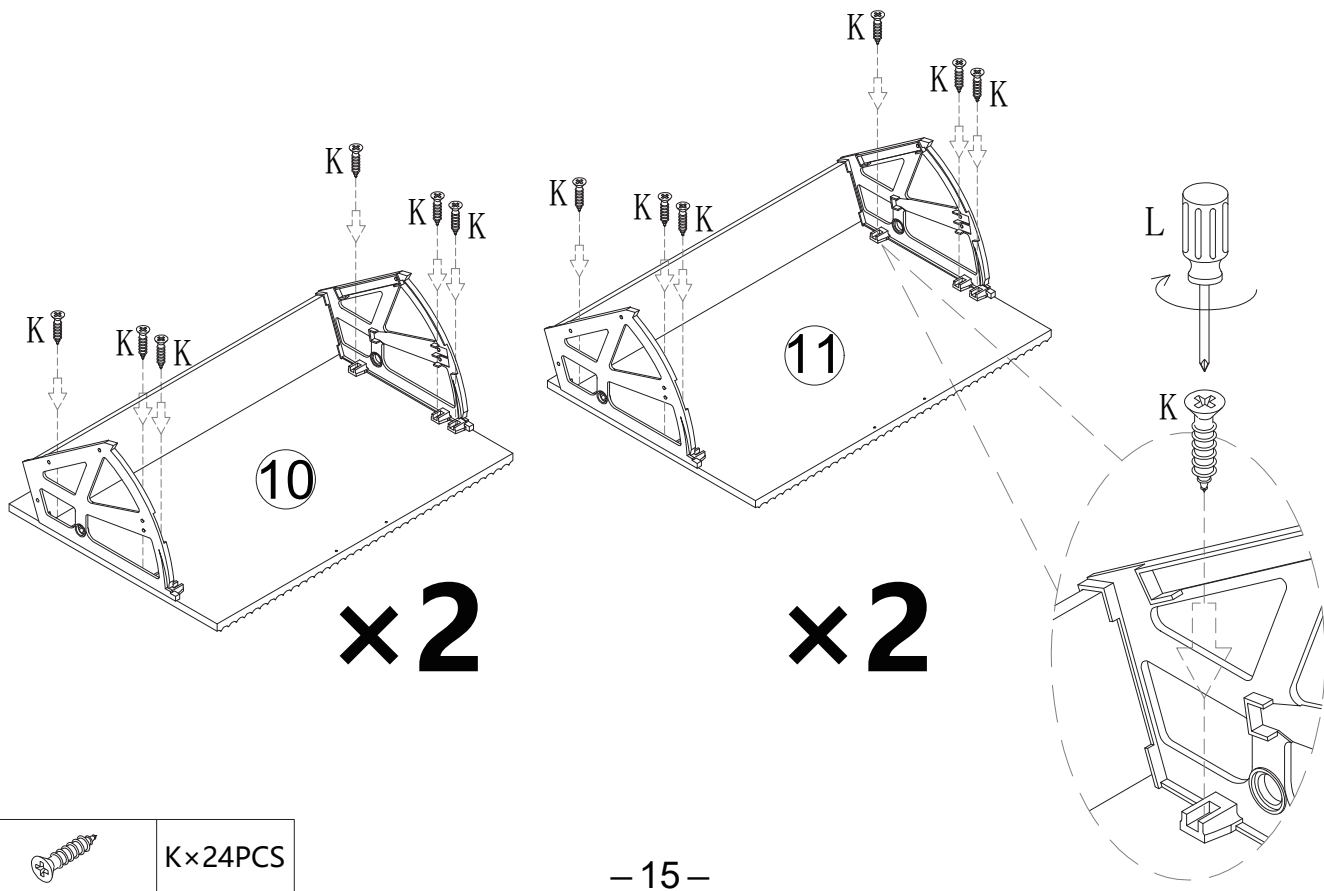
	D×4PCS
---	--------


# STEP 14



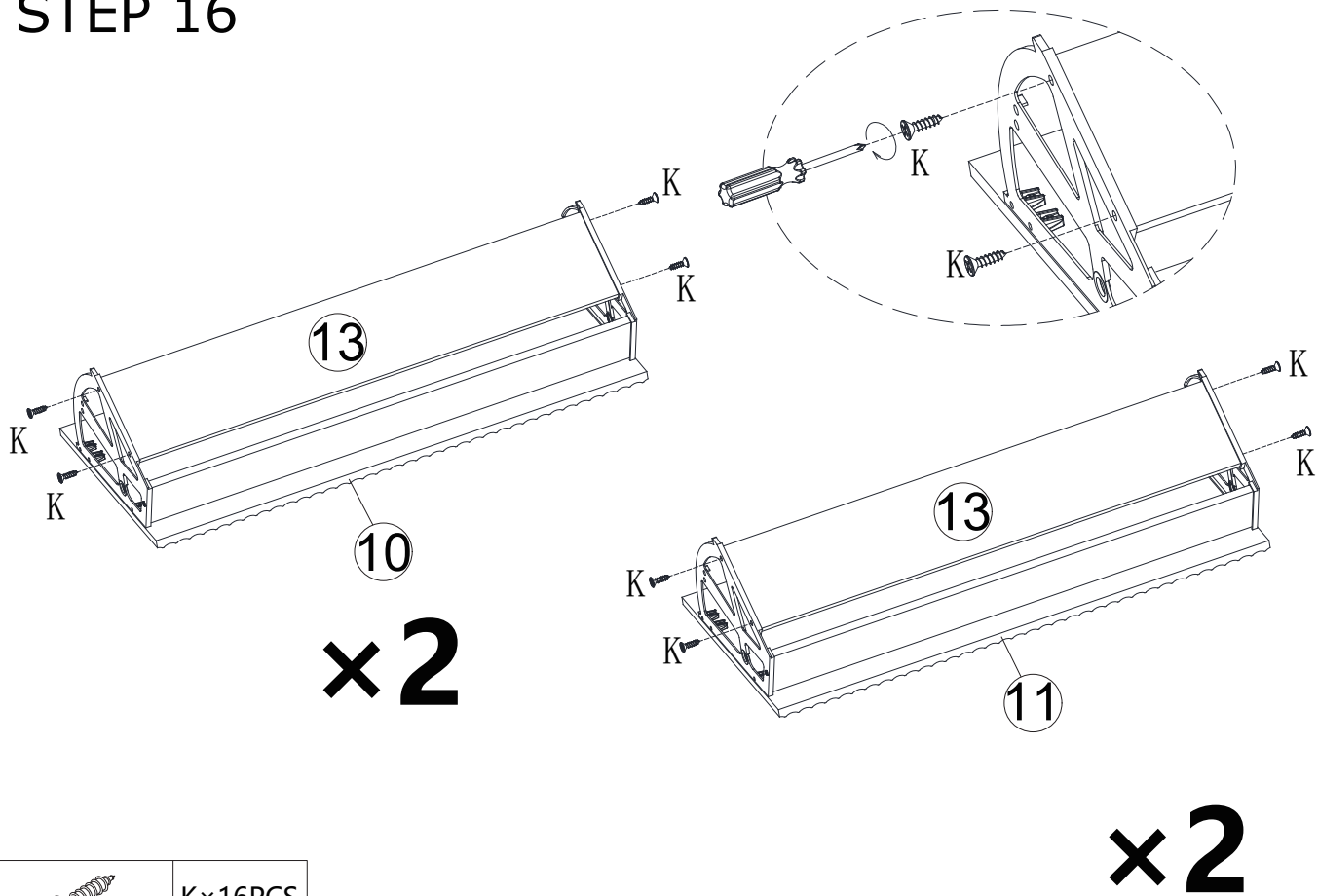
 Left	F×4PCS
 Right	F×4PCS
	K×8PCS


# STEP 15



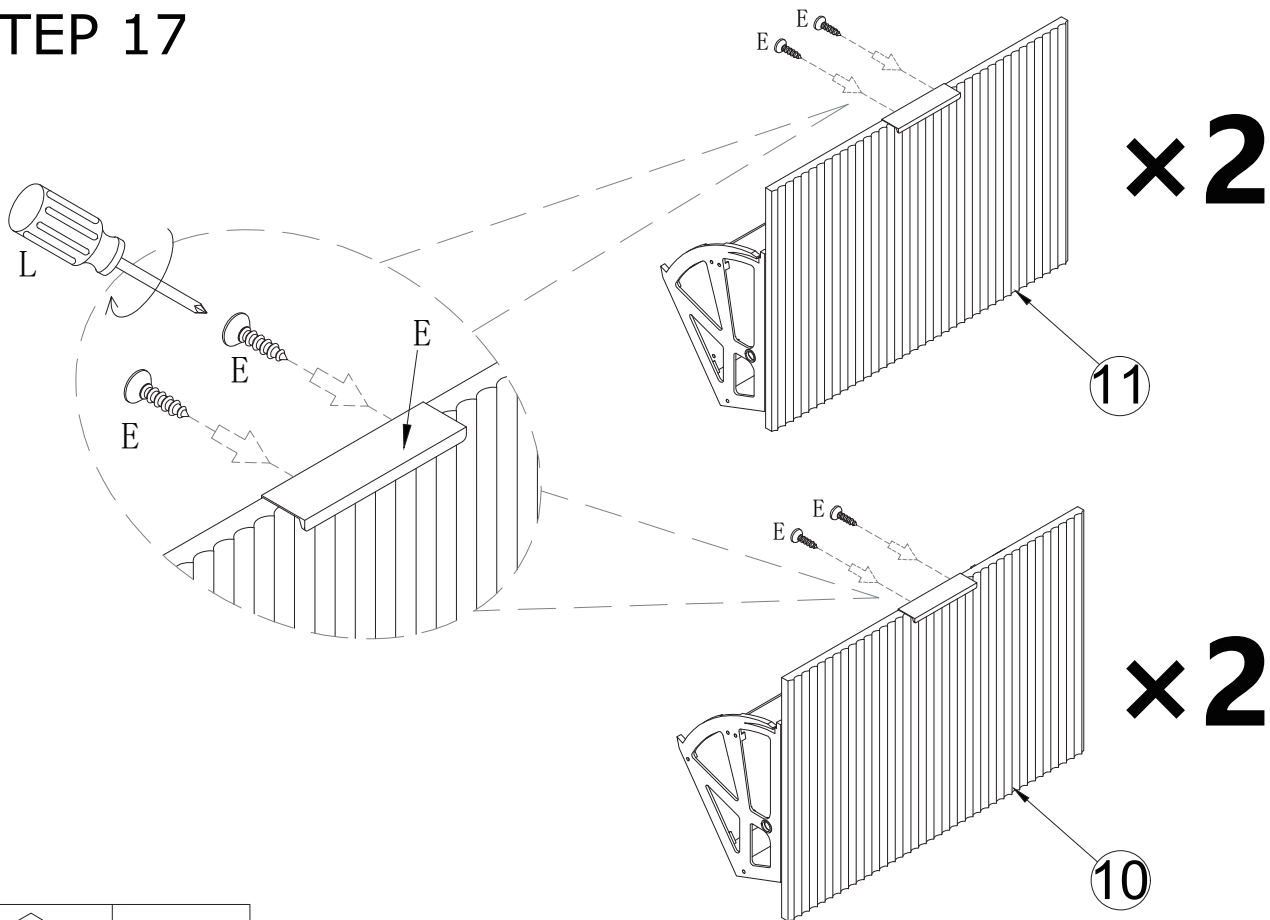
	K×24PCS
---	---------

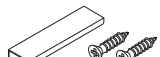
# STEP 16



	Kx16PCS
---	---------

# STEP 17

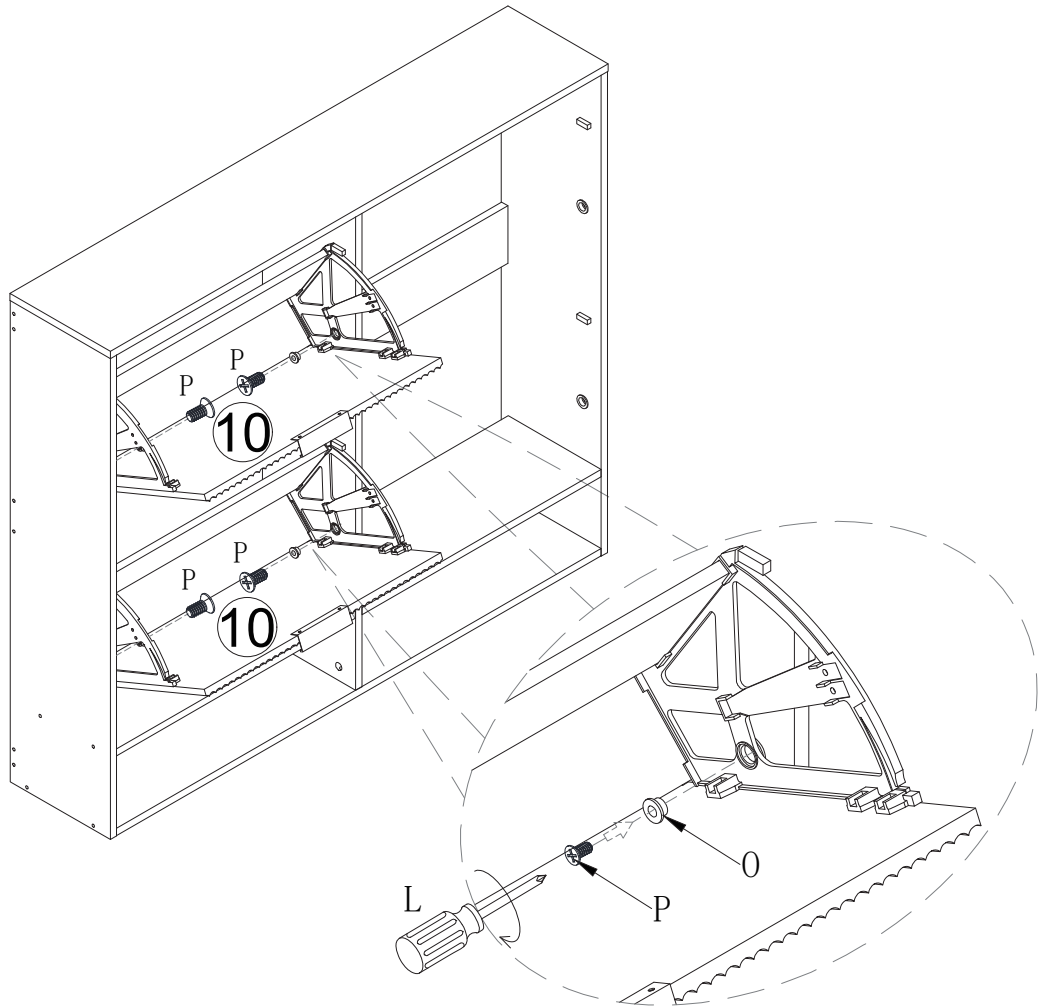




	Ex4PCS
---	--------

# STEP 18

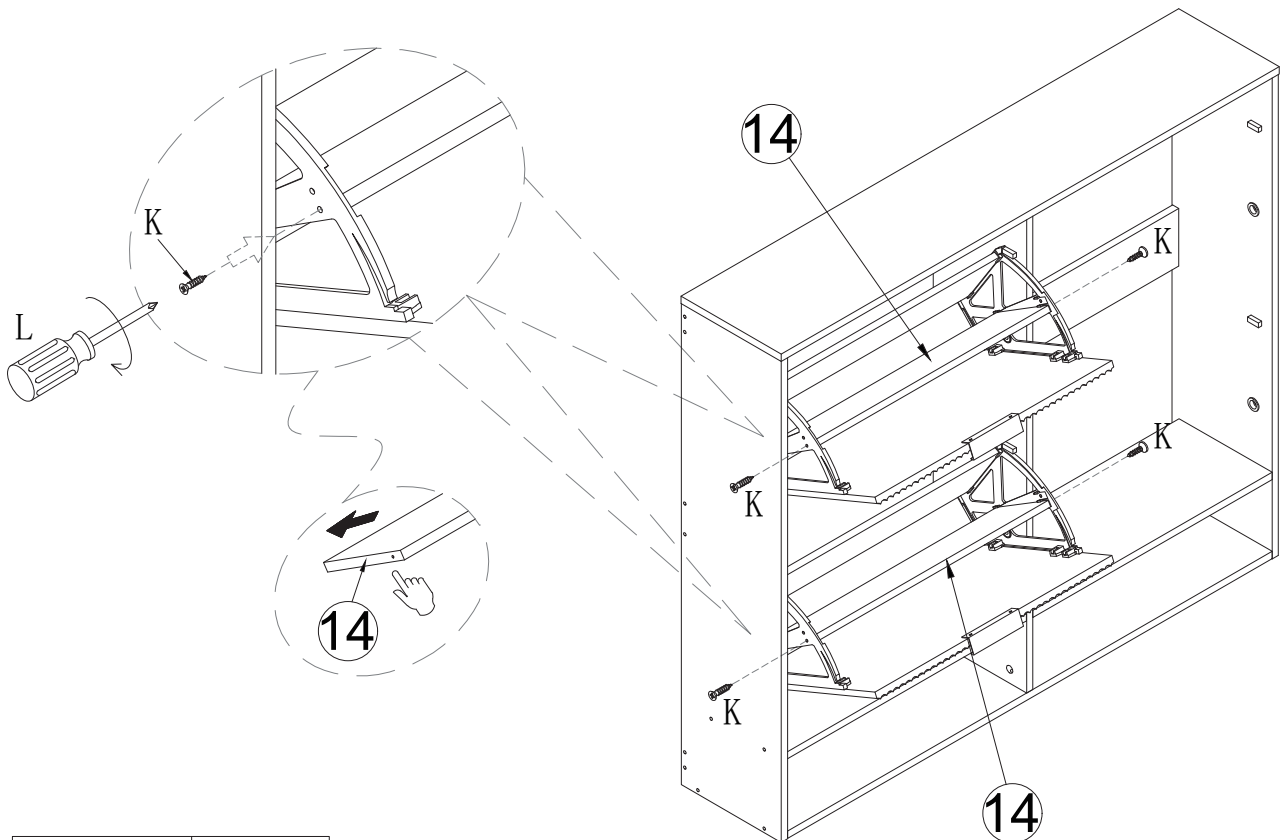



Note: When installing this step, it is necessary for two people to work together, one person to hold the door panel and the other person to tighten the screws.



	O×4PCS
	P×4PCS

# STEP 19

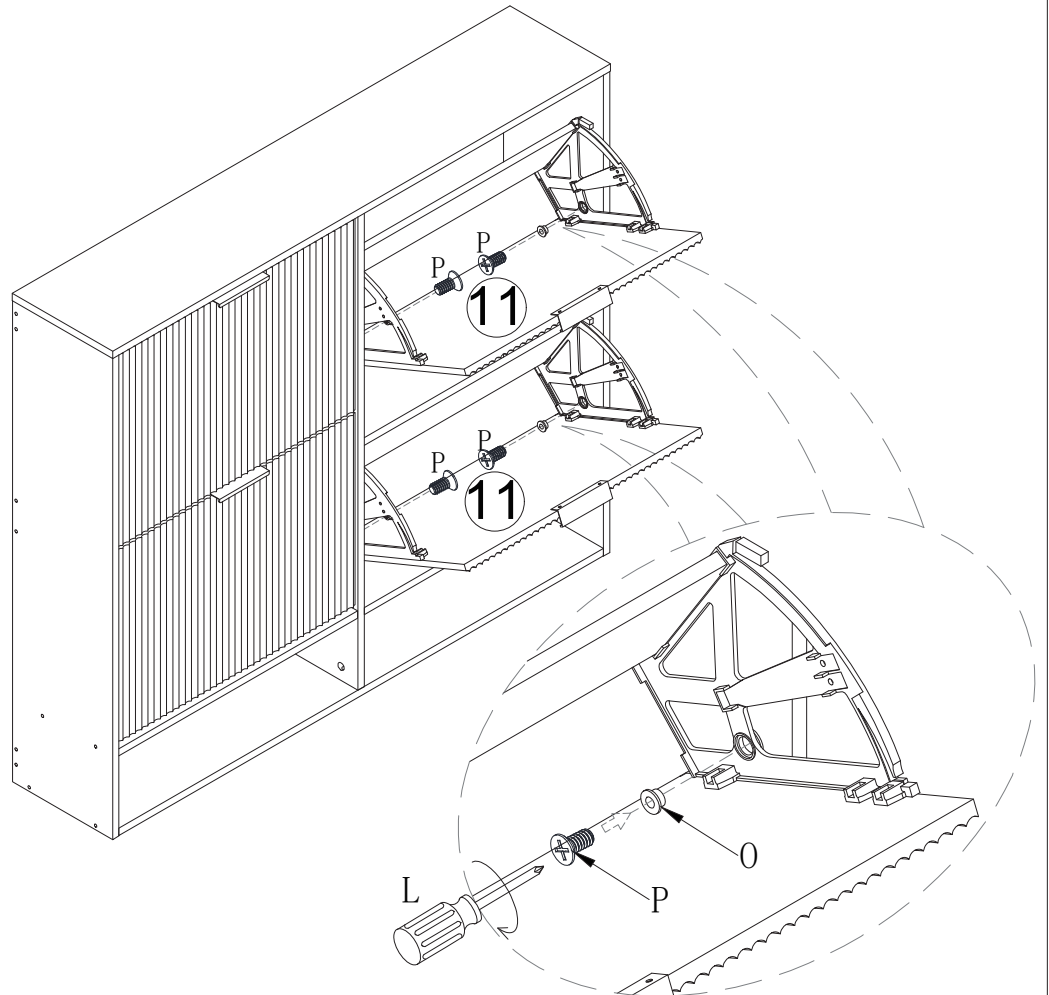




	K×4PCS
---	--------

# STEP 20

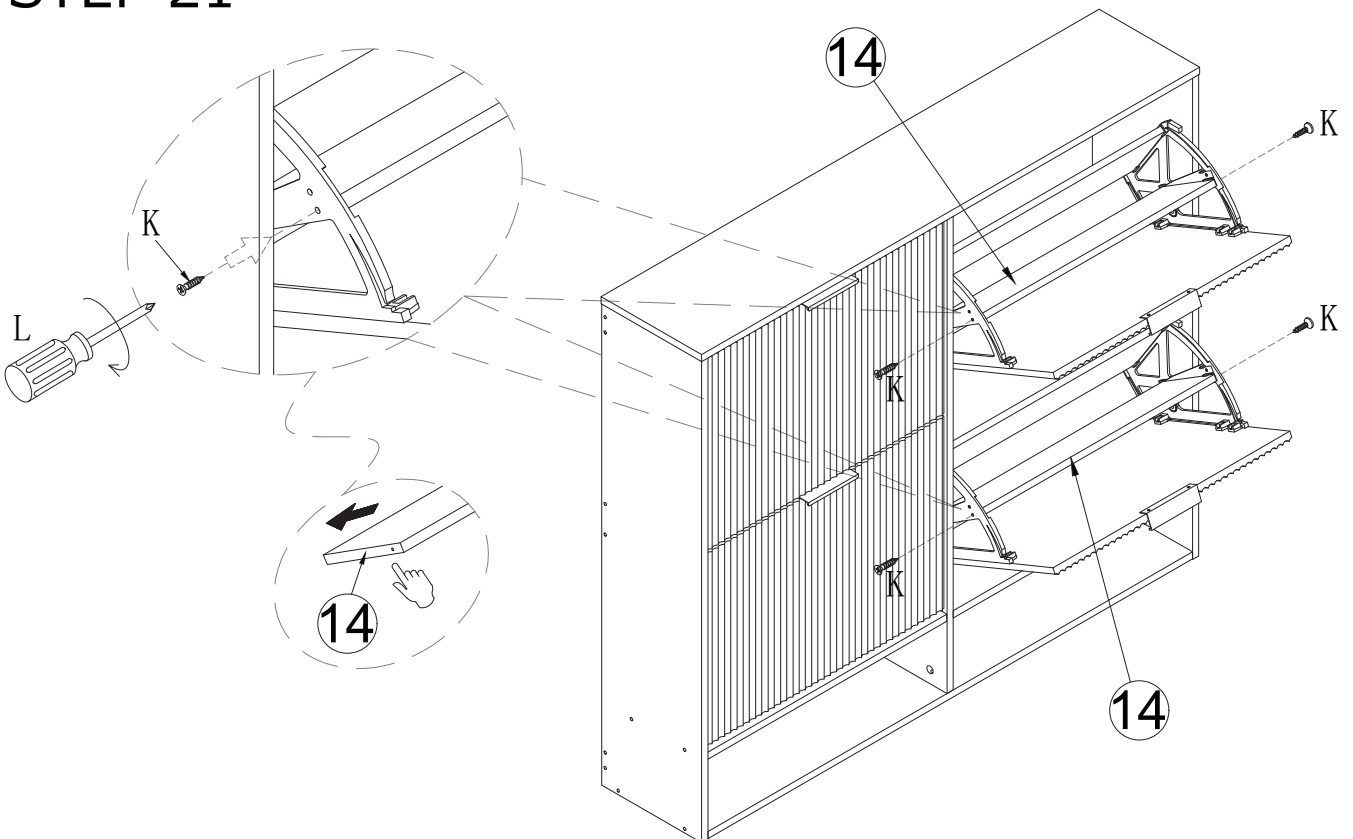


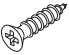
Note: When installing this step, it is necessary for two people to work together, one person to hold the door panel and the other person to tighten the screws.



	O×4PCS
	P×4PCS

# STEP 21



	K×4PCS
---	--------

