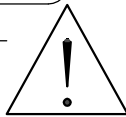
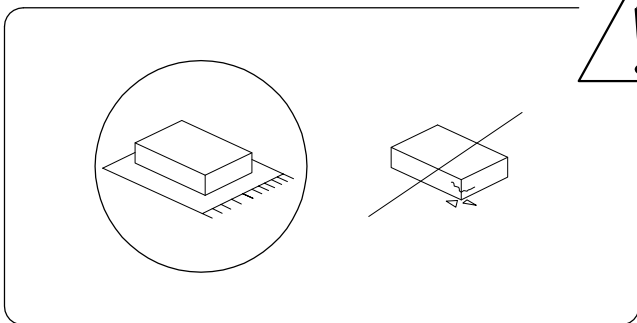
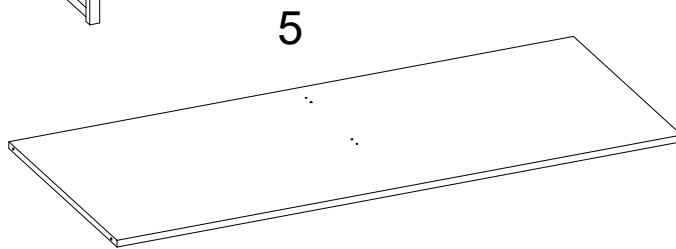
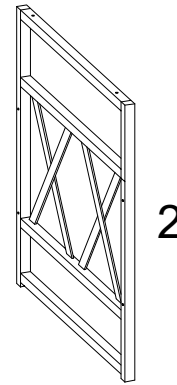
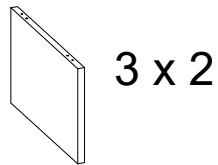
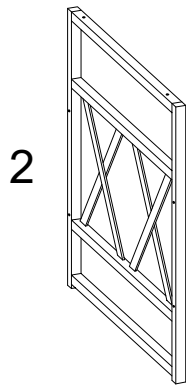
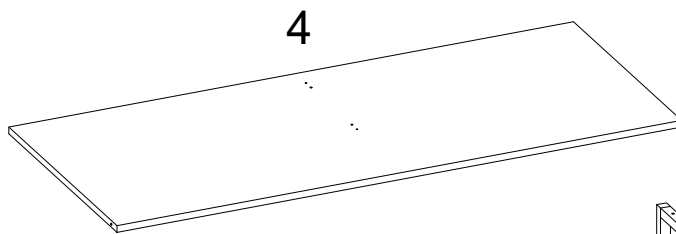
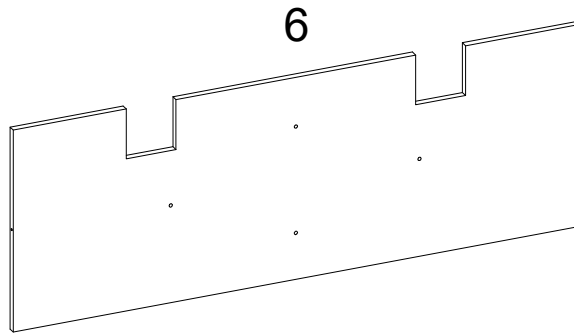
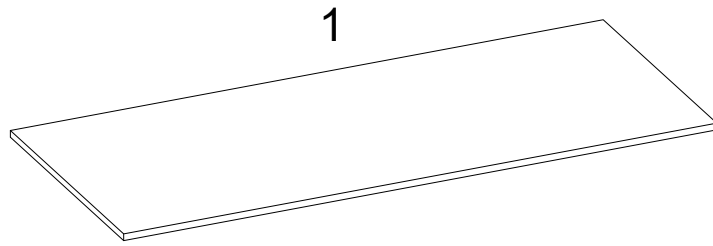


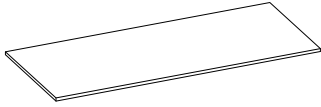
45'



1

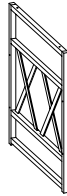


1



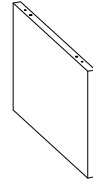
x 1

2



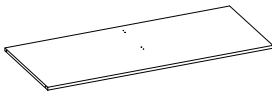
x 2

3



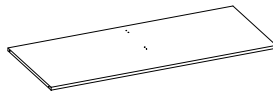
x 2

4



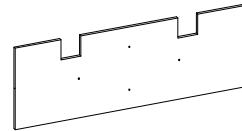
x 1

5



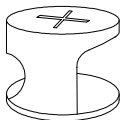
x 1

6



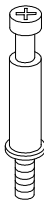
x 1

A



x 4

B



x 4

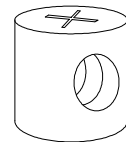
C



Ø6
x
30

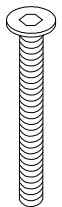
x 8

D



x 8

E



M6
x
50

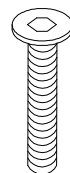
x 8

F



x 1

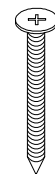
G



M6
x
30

x 4

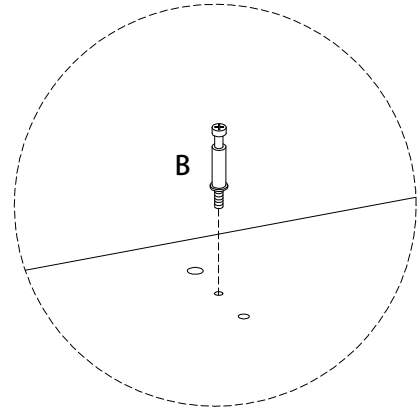
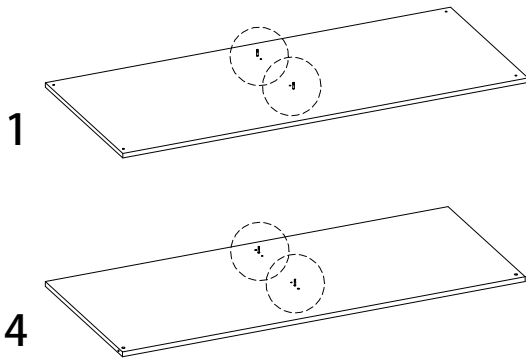
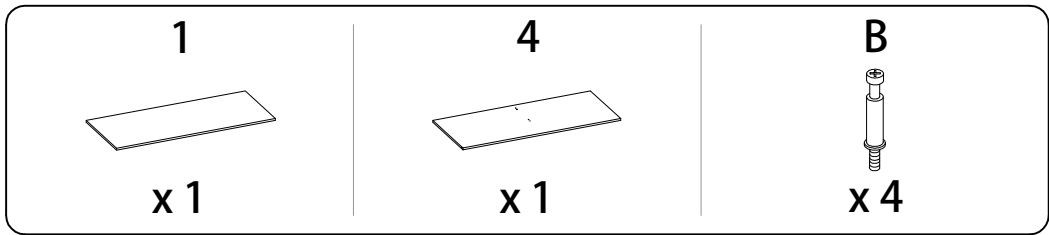
H



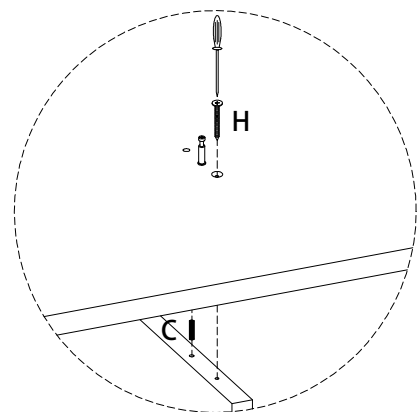
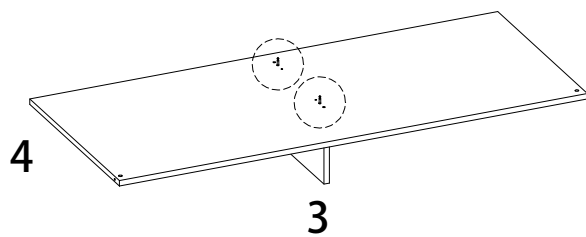
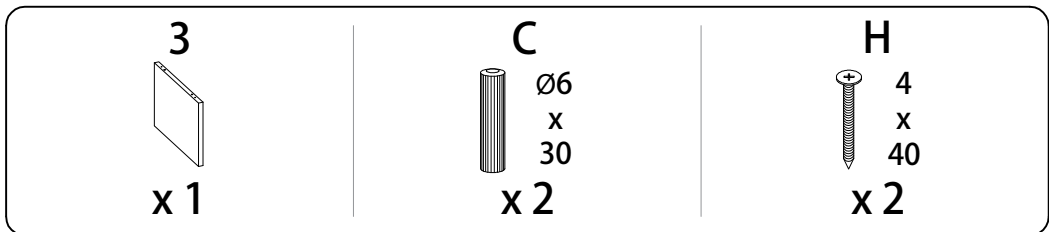
4
x
40

x 8

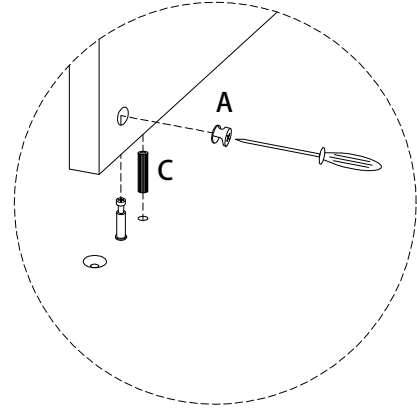
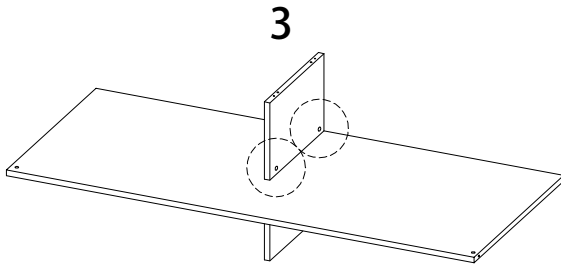
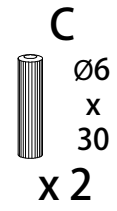
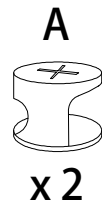
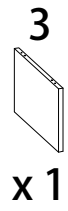
1



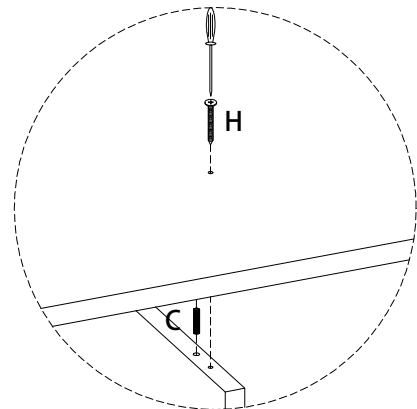
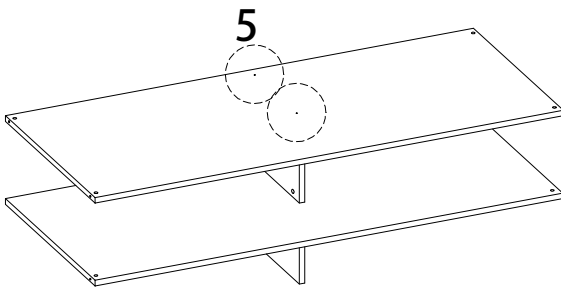
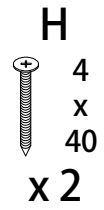
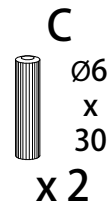
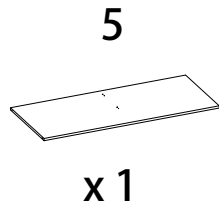
2



3



4



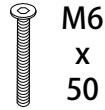
5

D



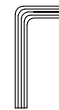
x 6

E

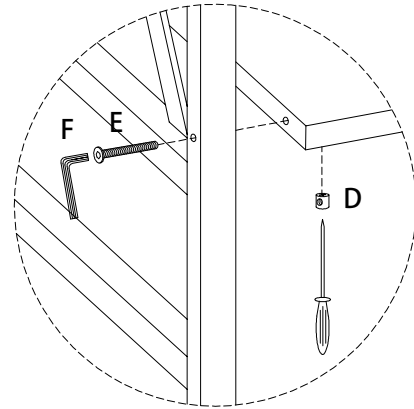
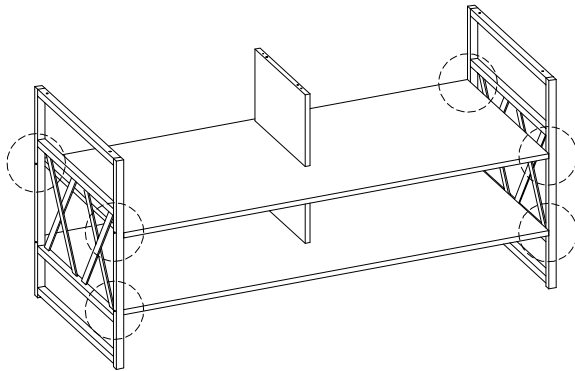


x 6

F

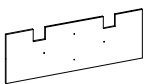


x 1



6

6



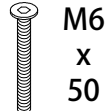
x 1

D



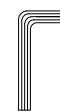
x 2

E



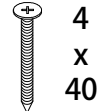
x 2

F

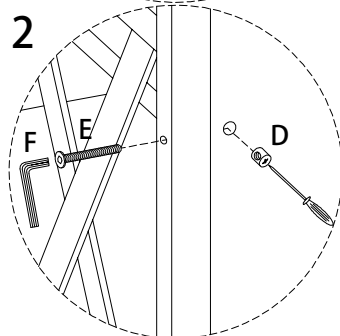
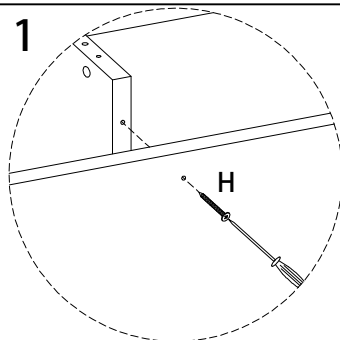
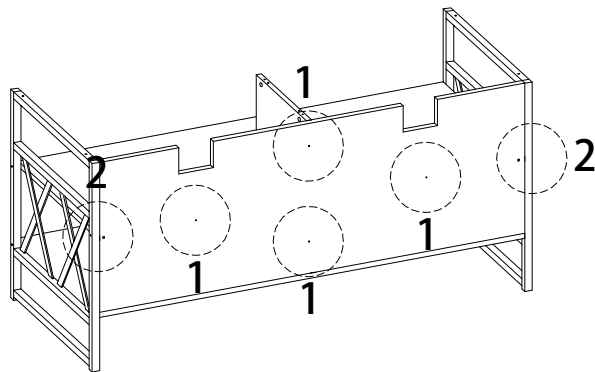


x 1

H



x 4



7

