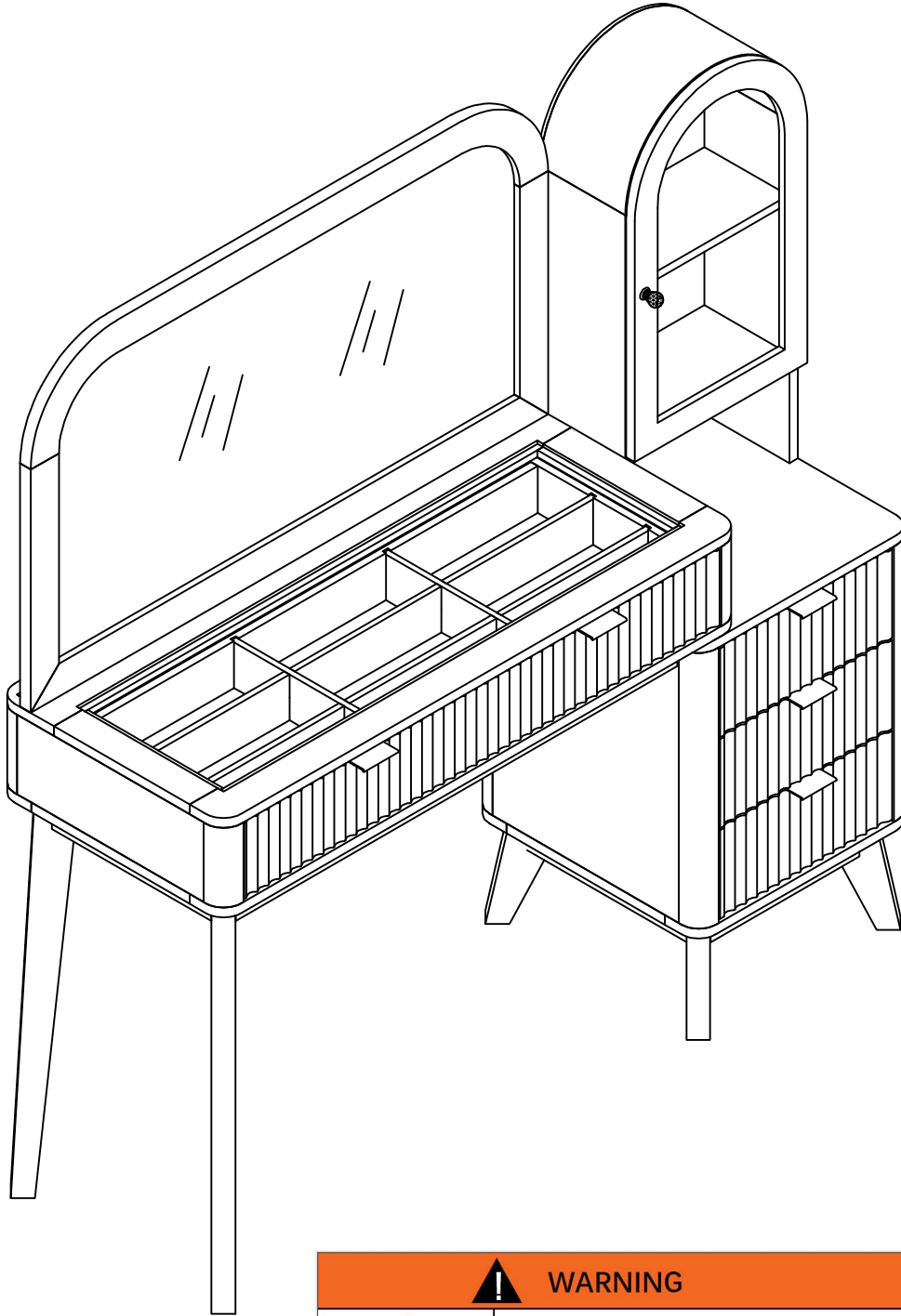


# ASSEMBLY INSTRUCTION

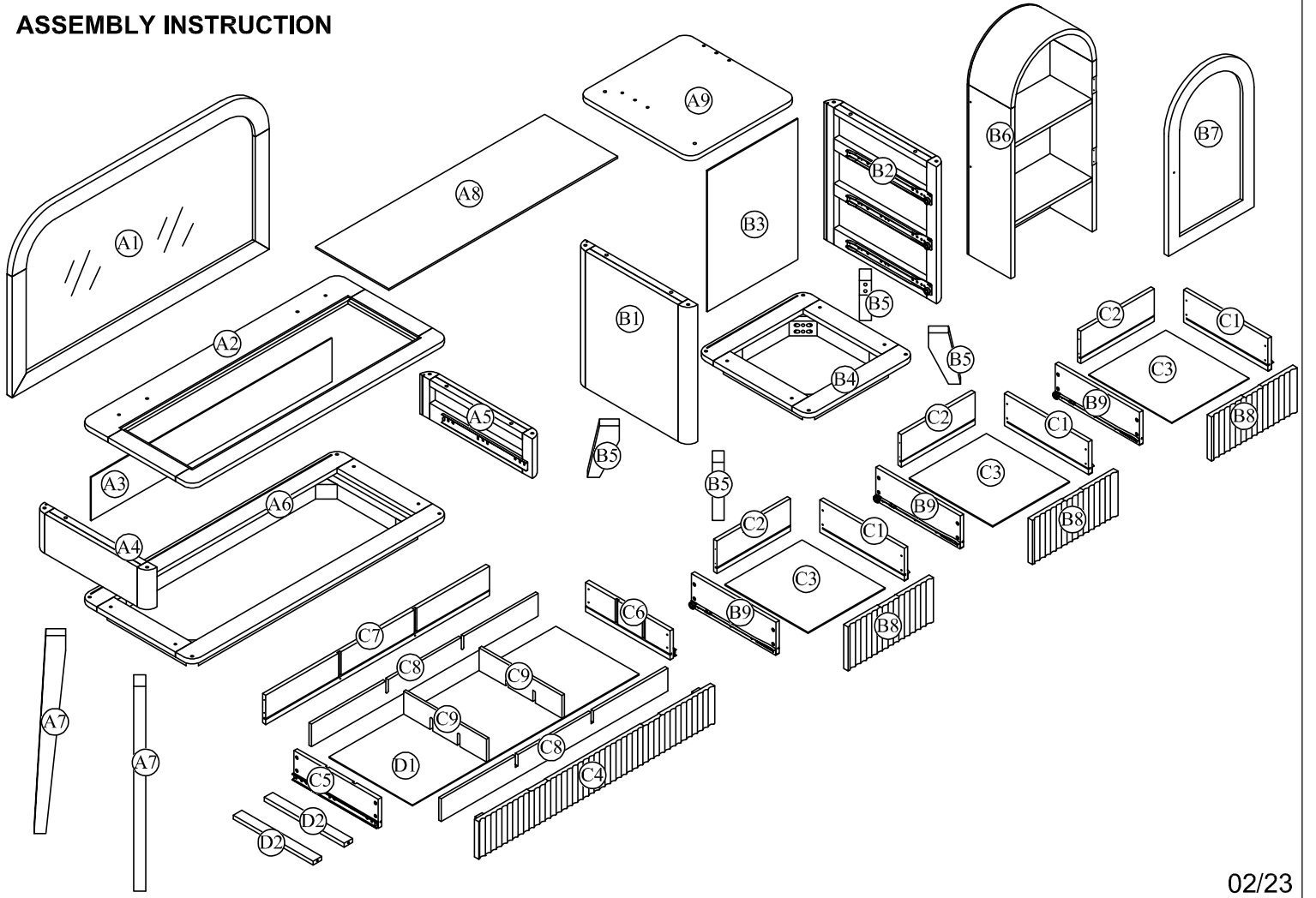


## WARNING



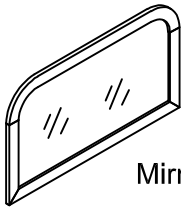
This product is NOT a Clothing Storage Unit (CSU).  
DO NOT use it for clothing storage.  
Improper use may cause furniture tipover.

# ASSEMBLY INSTRUCTION



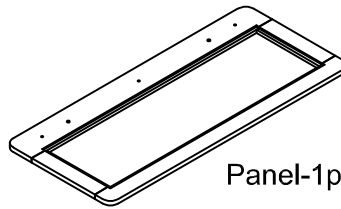
# Part List

A1



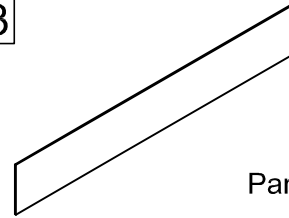
Mirror frame-1pc

A2



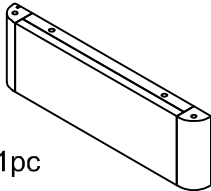
Panel-1pc

A3



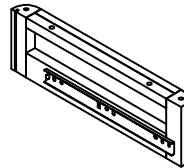
Panel-1pc

A4



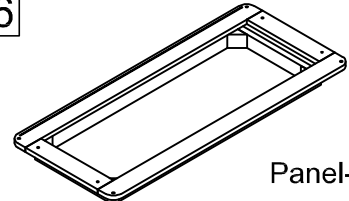
Panel-1pc

A5



Panel-1pc

A6



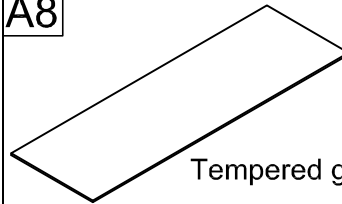
Panel-1pc

A7



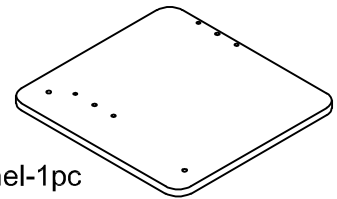
Leg-2pcs

A8



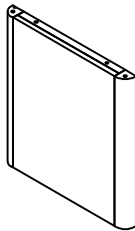
Tempered glass-1pc

A9



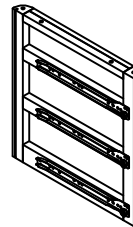
Panel-1pc

B1



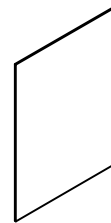
Panel-1pc

B2



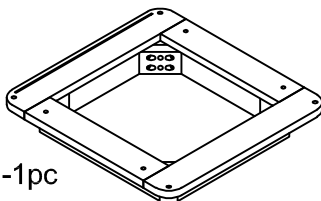
Panel-1pc

B3



Panel-1pc

B4



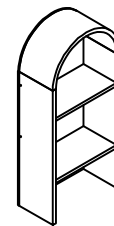
Panel-1pc

B5



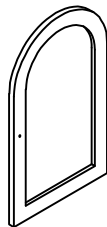
Leg-4pcs

B6



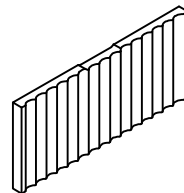
Panel-1pc

B7



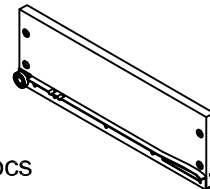
Panel-1pc

B8



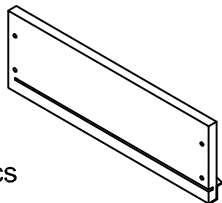
Panel-3pcs

B9



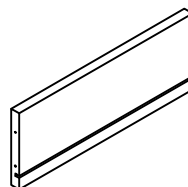
Panel-3pcs

C1



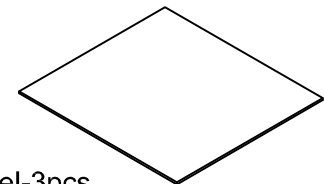
Panel-3pcs

C2



Panel-3pcs

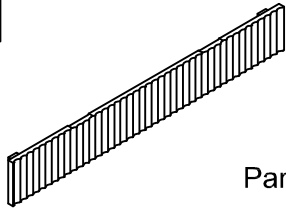
C3



Panel-3pcs

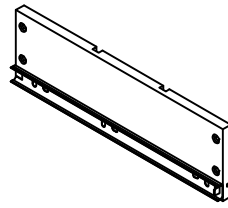
# Part List

C4



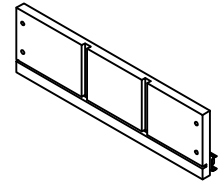
Panel-1pc

C5



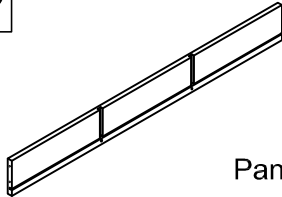
Panel-1pc

C6



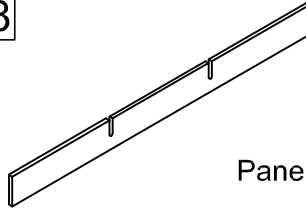
Panel-1pc

C7



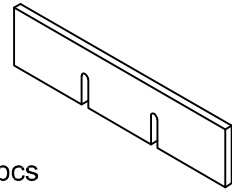
Panel-1pc

C8



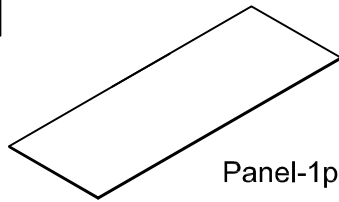
Panel-2pcs

C9



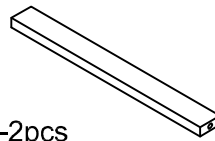
Panel-2pcs

D1



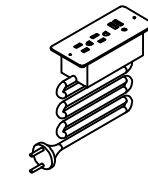
Panel-1pc

D2



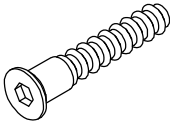
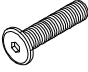
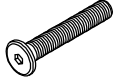
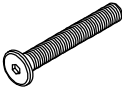
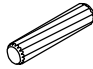
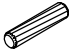
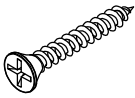
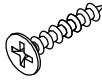
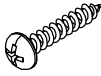
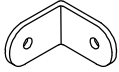
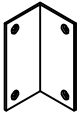
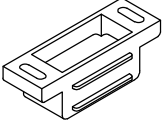


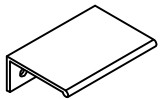
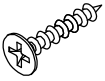

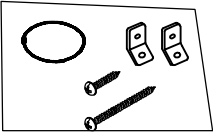
WoodBar-2pcs

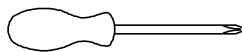
D3



USB 1PC

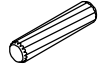
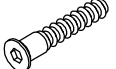
# Hardware List

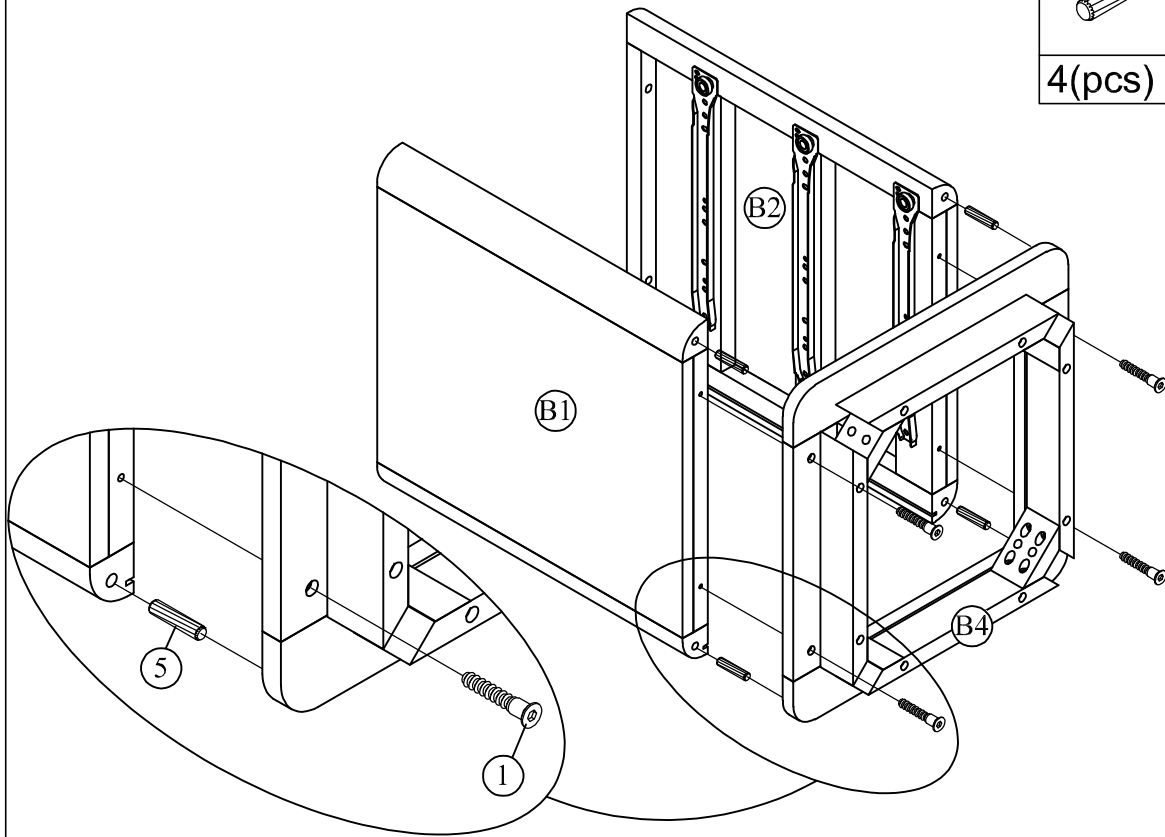
<p>1</p>  <p>Screws 1/4" x 45 mm - 15pcs</p>	<p>2</p>  <p>Bolts Ø1/4" x 25 mm - 2pcs</p>	<p>3</p>  <p>Bolts Ø1/4" x 30 mm - 8pcs</p>
<p>4</p>  <p>Bolts Ø1/4" x 35 mm - 12pcs</p>	<p>5</p>  <p>Wood dowel Ø8 x 30 mm - 20pcs</p>	<p>6</p>  <p>Wood dowel Ø6 x 30 mm -2pcs</p>
<p>7</p>  <p>Wood Screws M4 x 30mm-36pcs</p>	<p>8</p>  <p>Wood Screws M3 x 15mm-6pcs</p>	<p>9</p>  <p>Wood Screws M4 x 15mm-20pcs</p>
<p>10</p>  <p>Angle Metal 2pcs</p>	<p>11</p>  <p>Angle Metal 2pcs</p>	<p>12</p>  <p>Magnet Door Catcher 1pc</p>
<p>13</p>  <p>Bolts Ø1/6" x 15 mm - 1pc</p>	<p>14</p>  <p>Handle 1pc</p>	<p>15</p>  <p>Handle 5pcs</p>
<p>16</p>  <p>Wood Screws M3 x 12mm-6pcs</p>	<p>17</p>  <p>Allen Key - 1pc</p>	<p>18</p>  <p>Anti-tipping kit -2Sets</p>



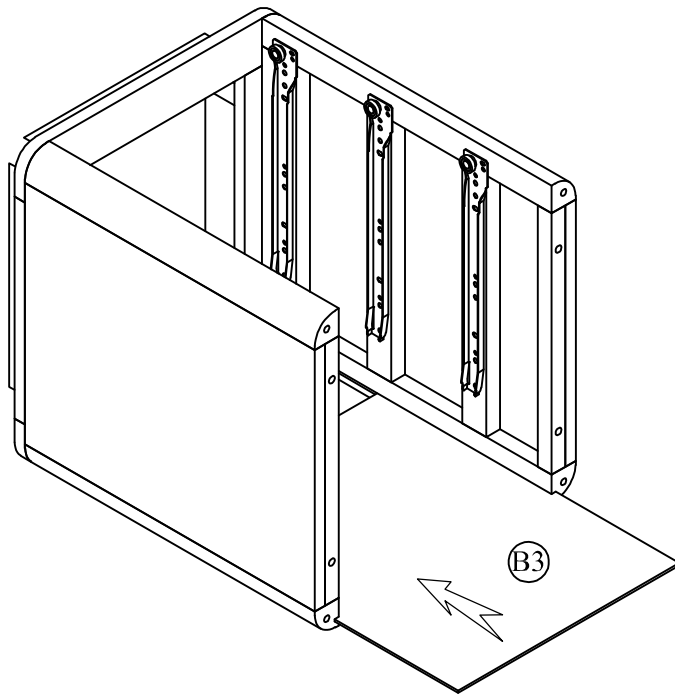
**Assembly Tools Required (Not Included)**

# STEP 1:

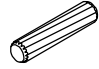
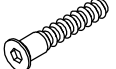
5		1	
4(pcs)		4(pcs)	

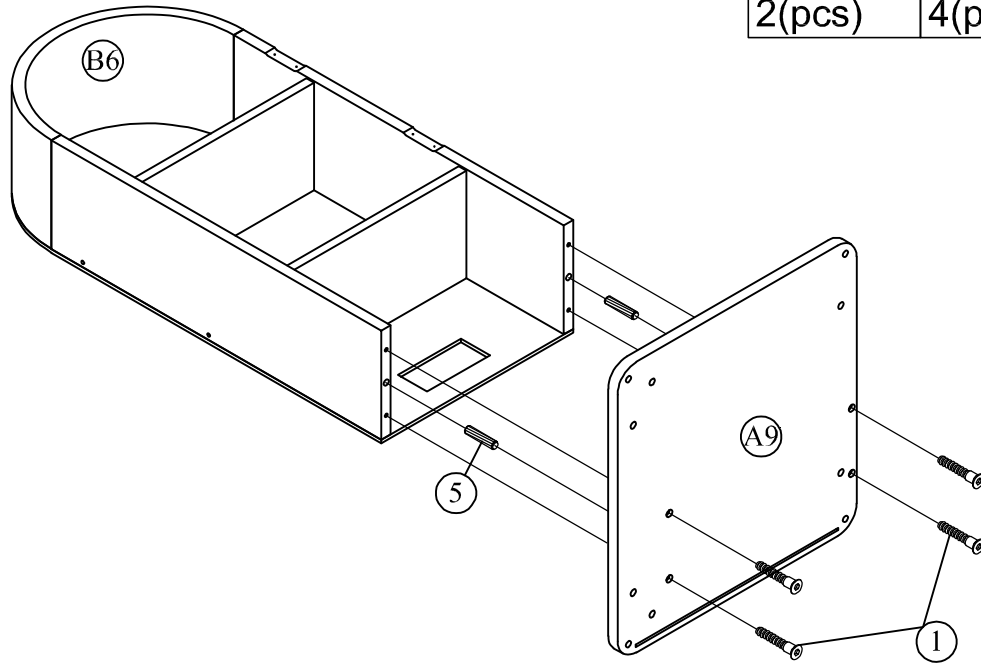


# STEP 2:

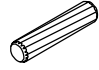
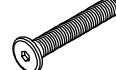


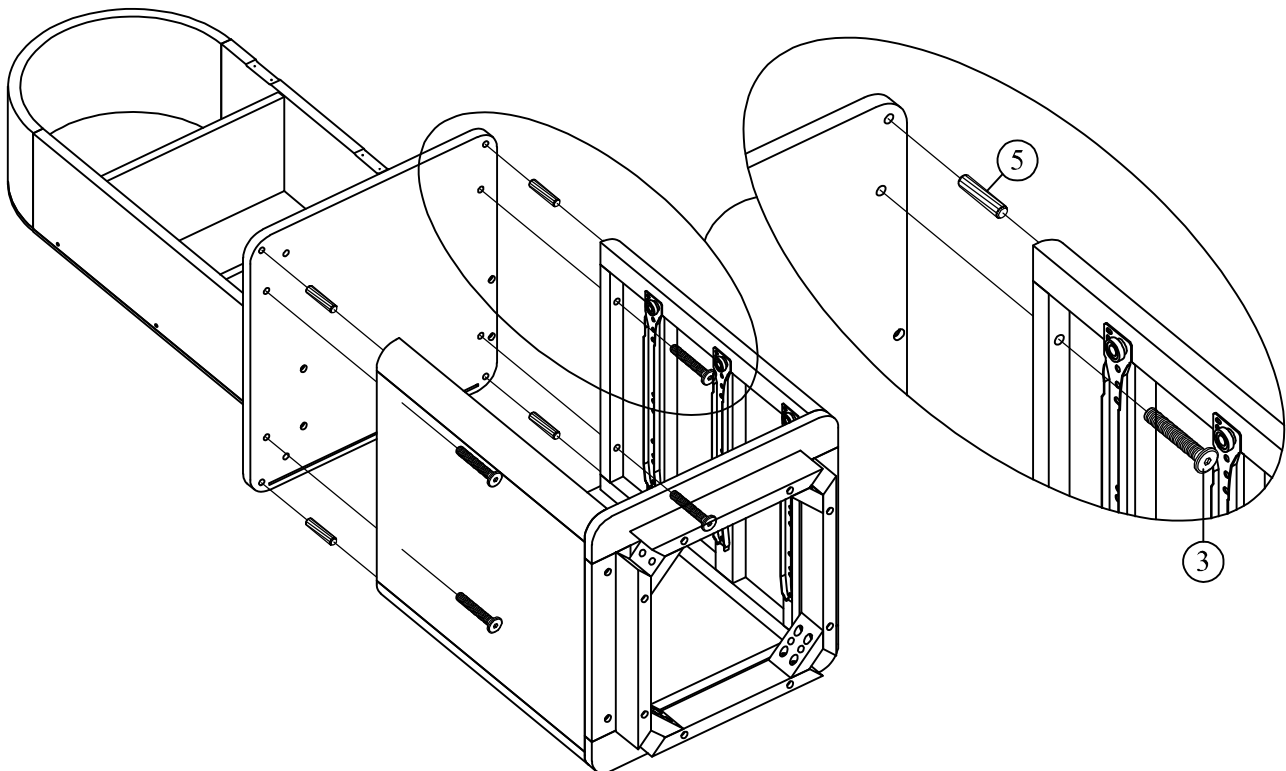
### STEP 3:

5	1
	
2(pcs)	4(pcs)



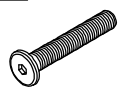
### STEP 4:

5	3
	
4(pcs)	4(pcs)

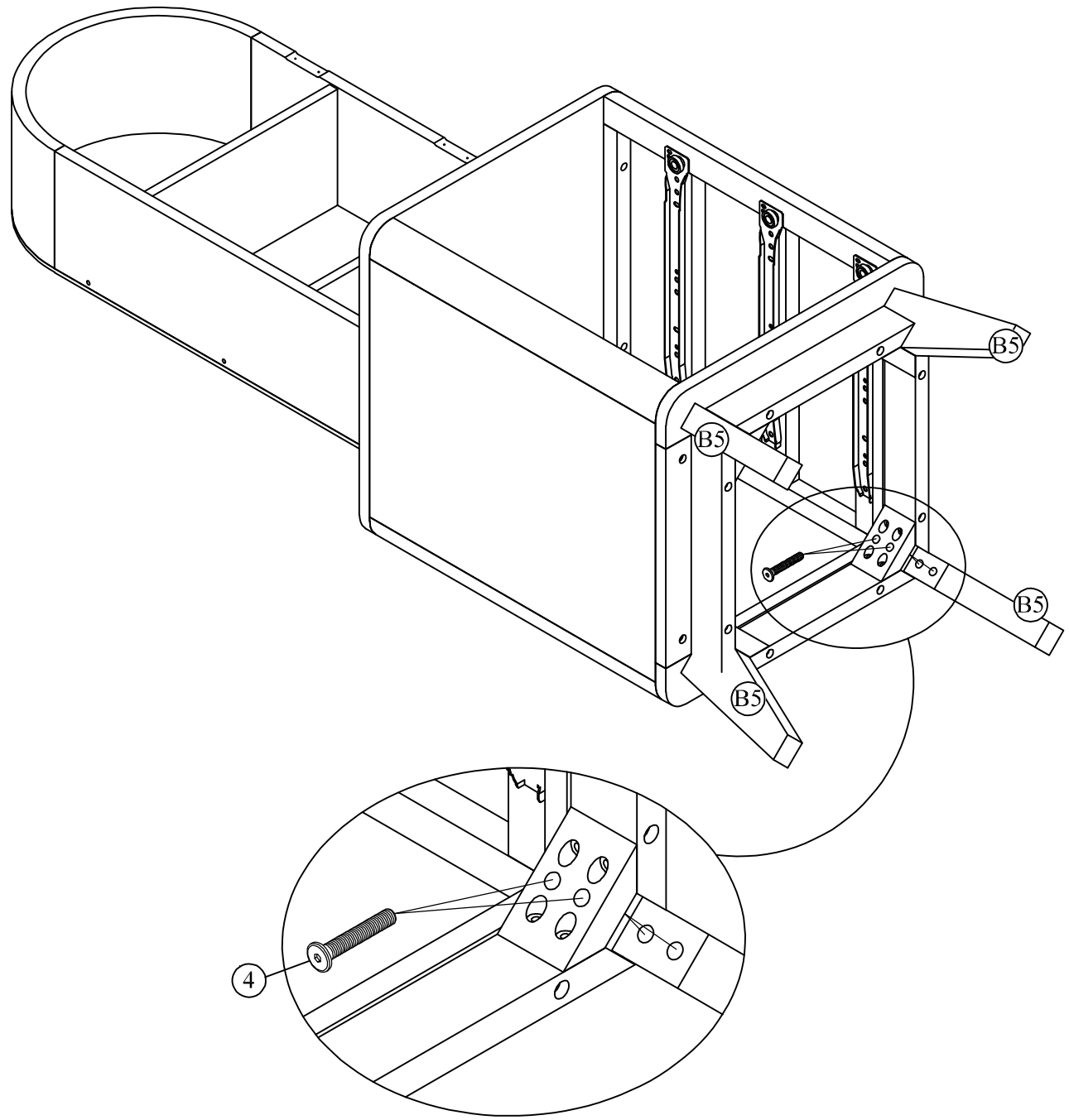


# STEP 5:

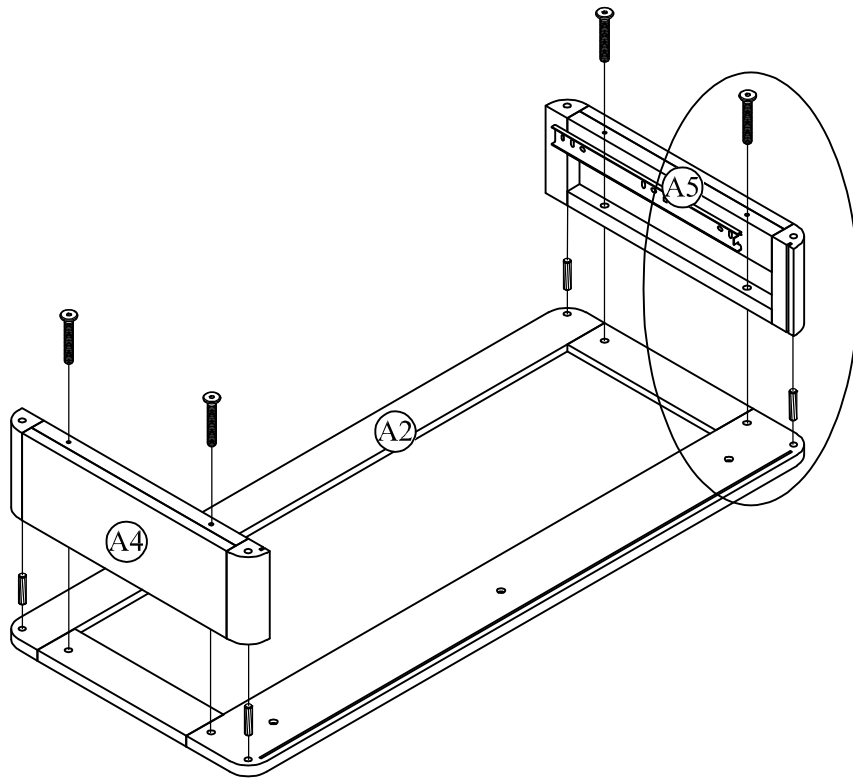
4



8(pcs)

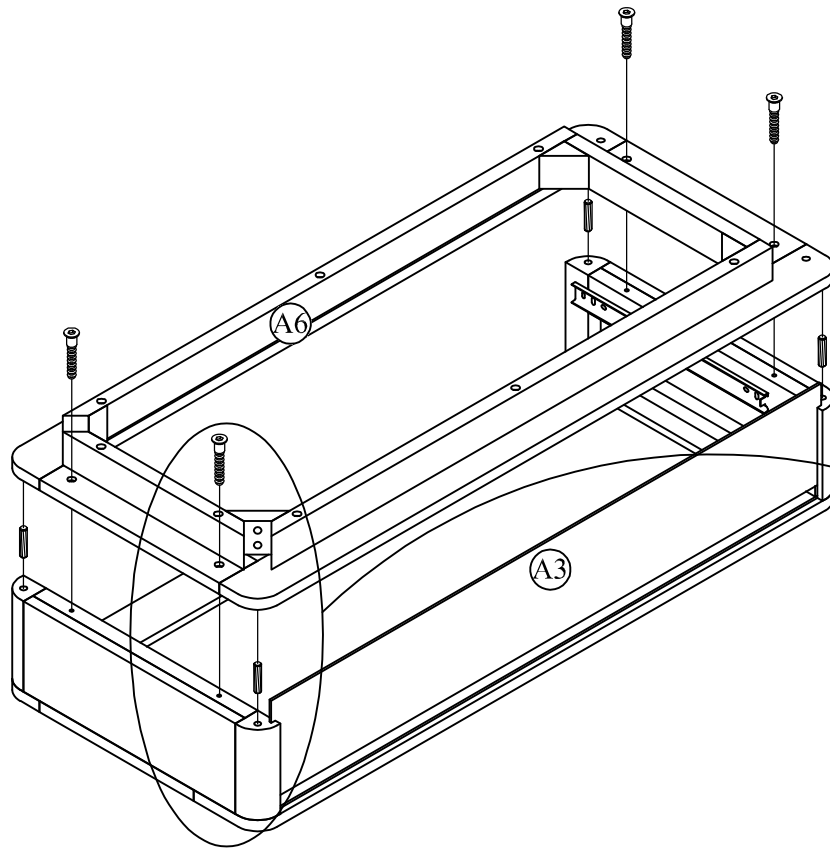


# STEP 6:



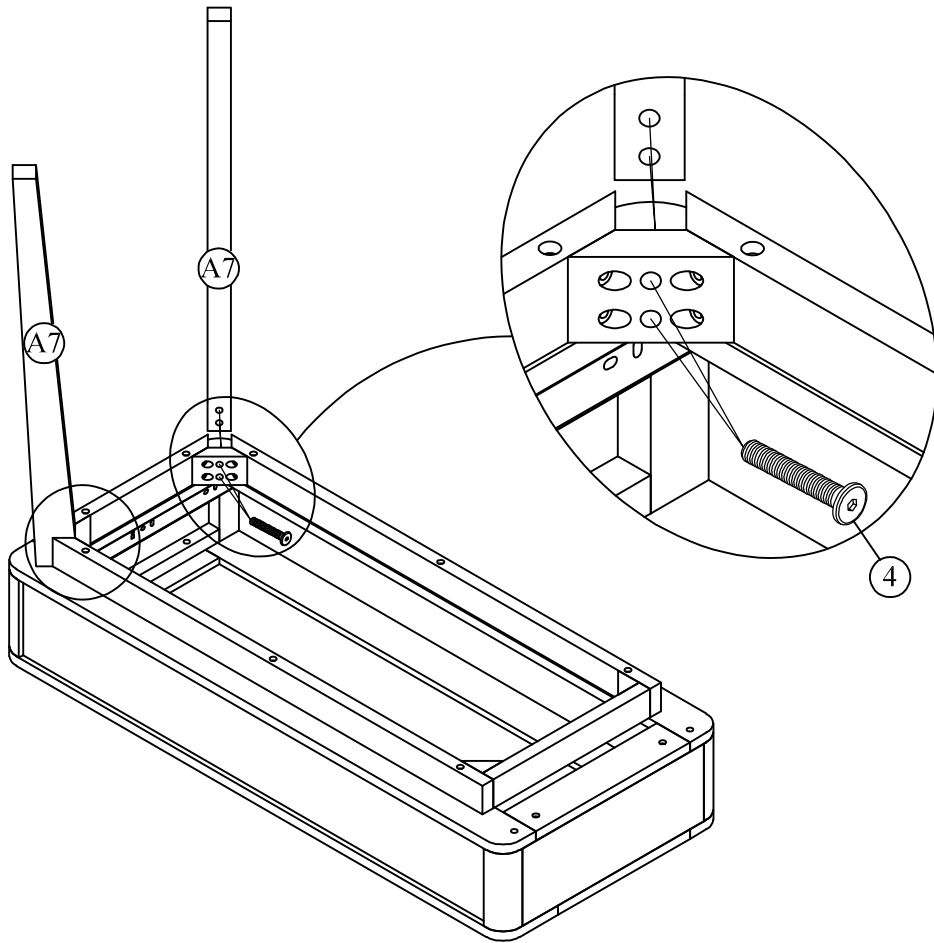
5	3
4(pcs)	4(pcs)

# STEP 7:

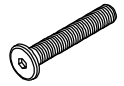


5	1
4(pcs)	4(pcs)

# STEP 8:

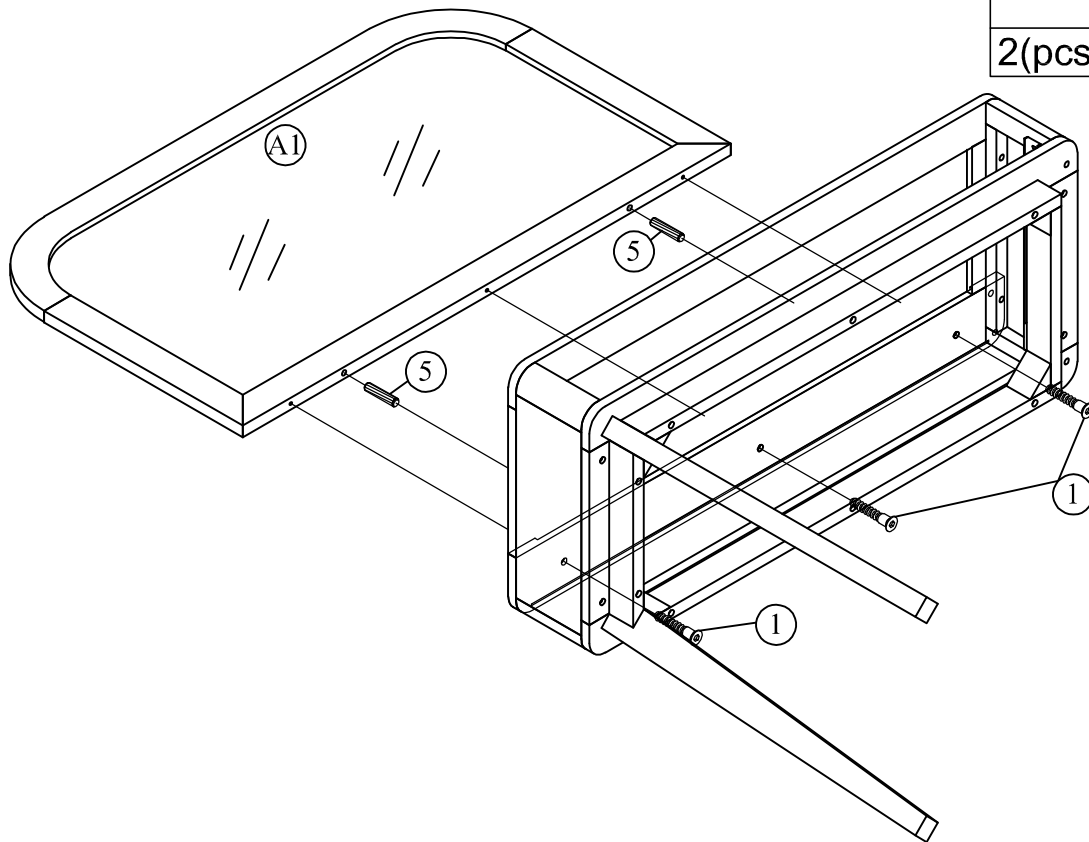


4



4(pcs)

# STEP 9:

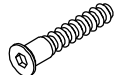


5



2(pcs)

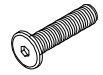
1



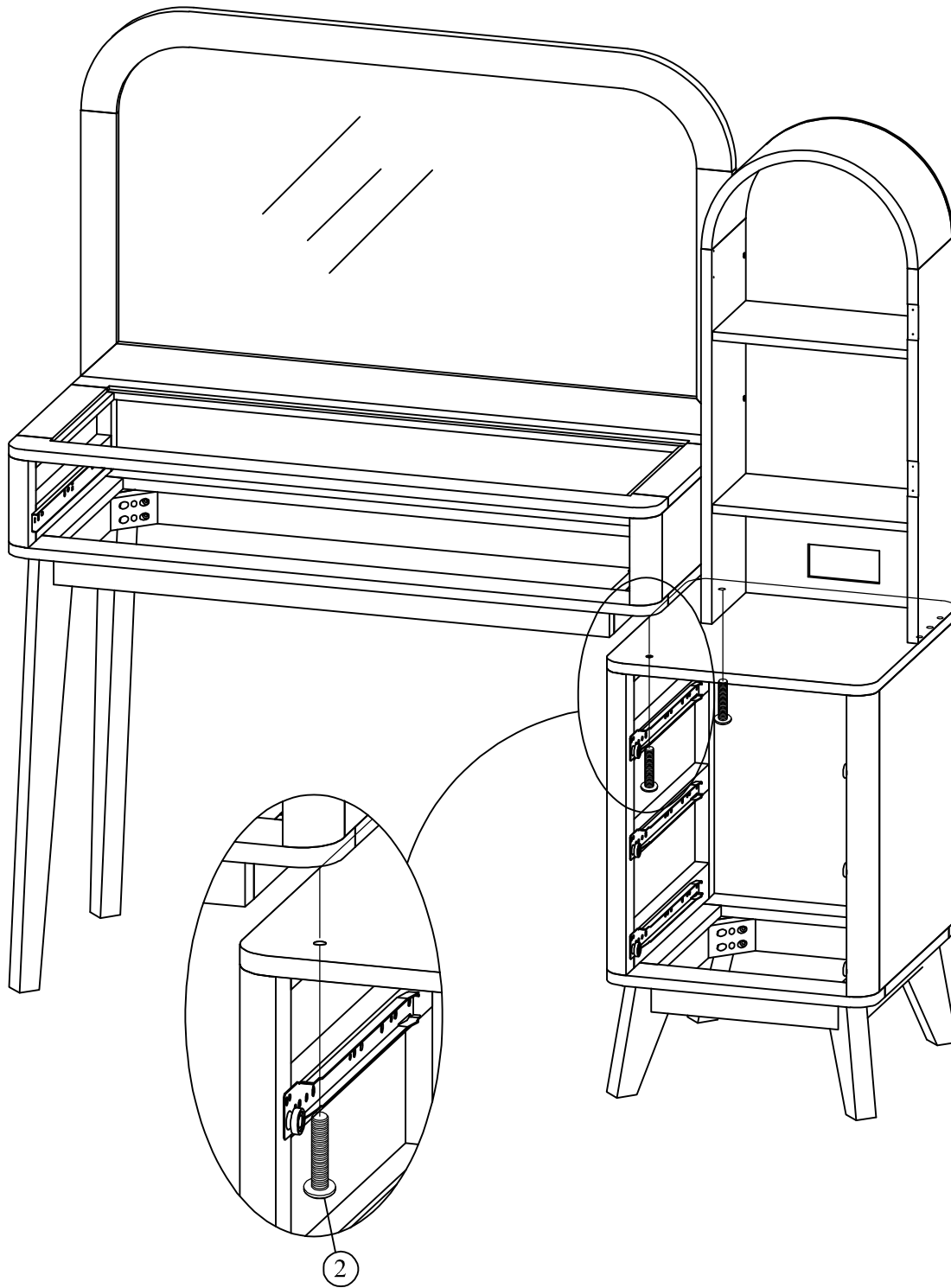
3(pcs)

STEP 10:

2

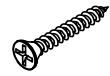


2(pcs)

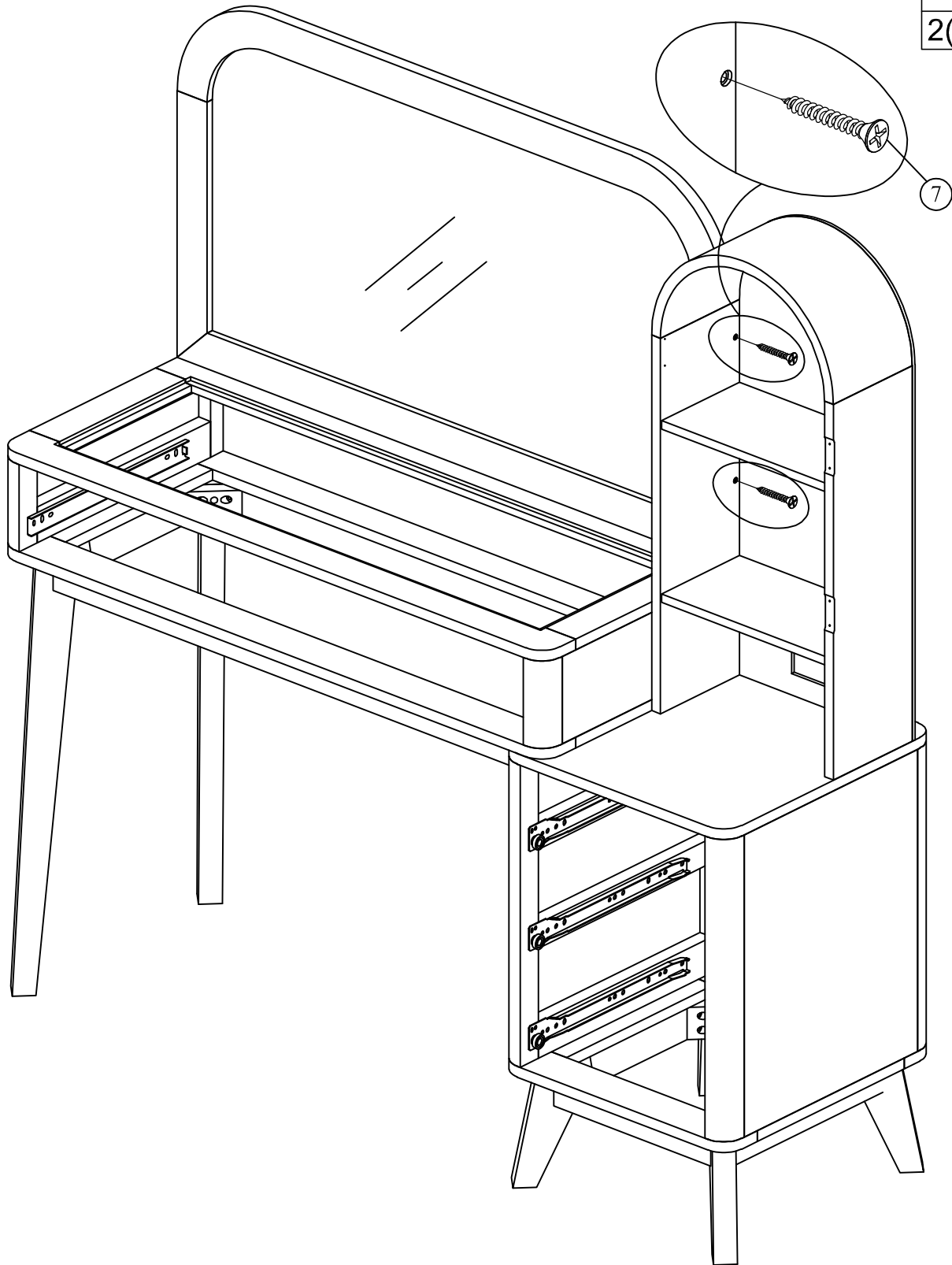


STEP 11:

7

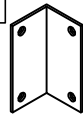


2(pcs)

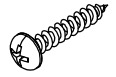


# STEP 12:

11

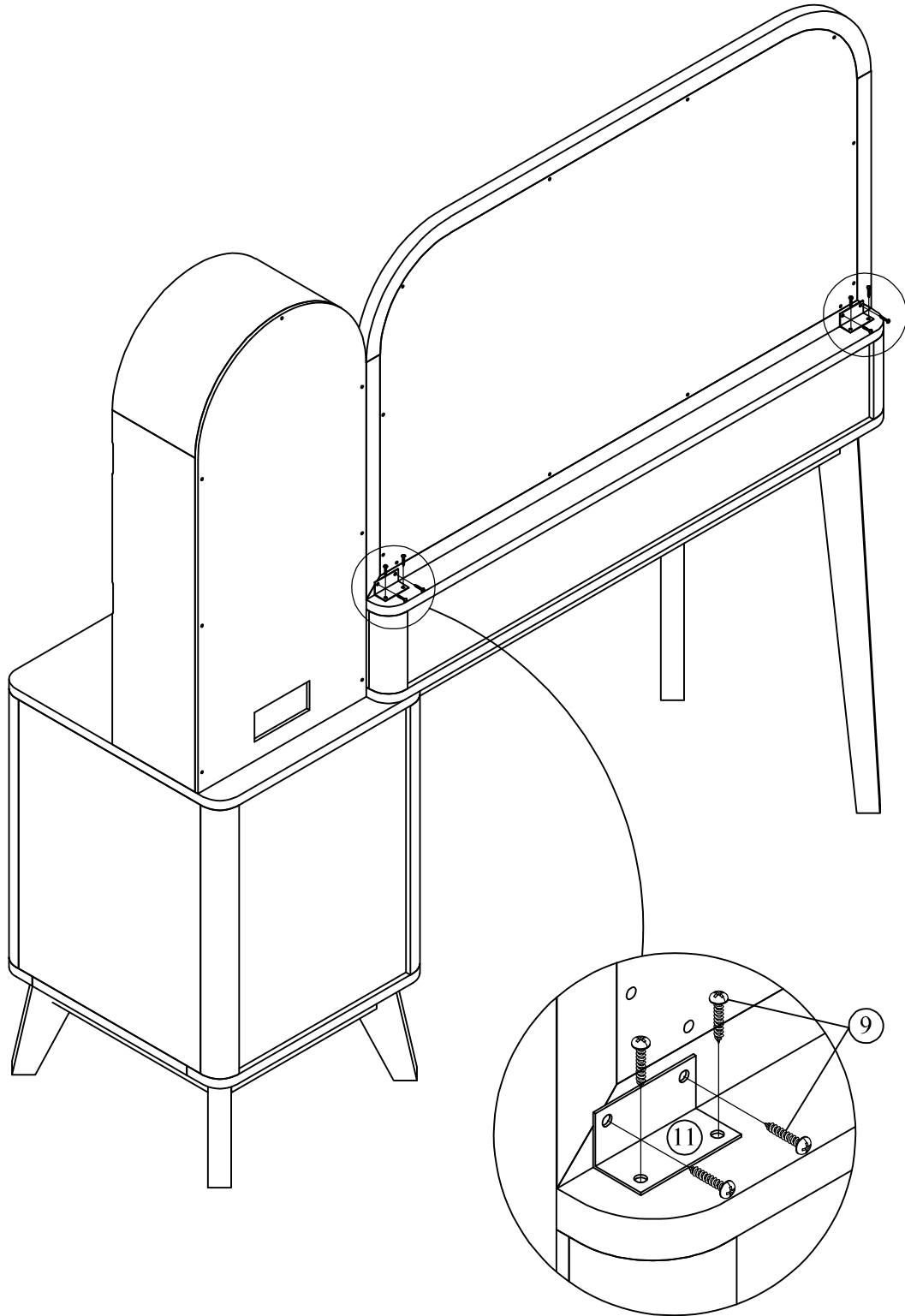


9


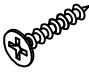


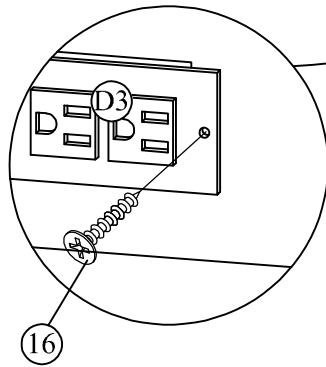
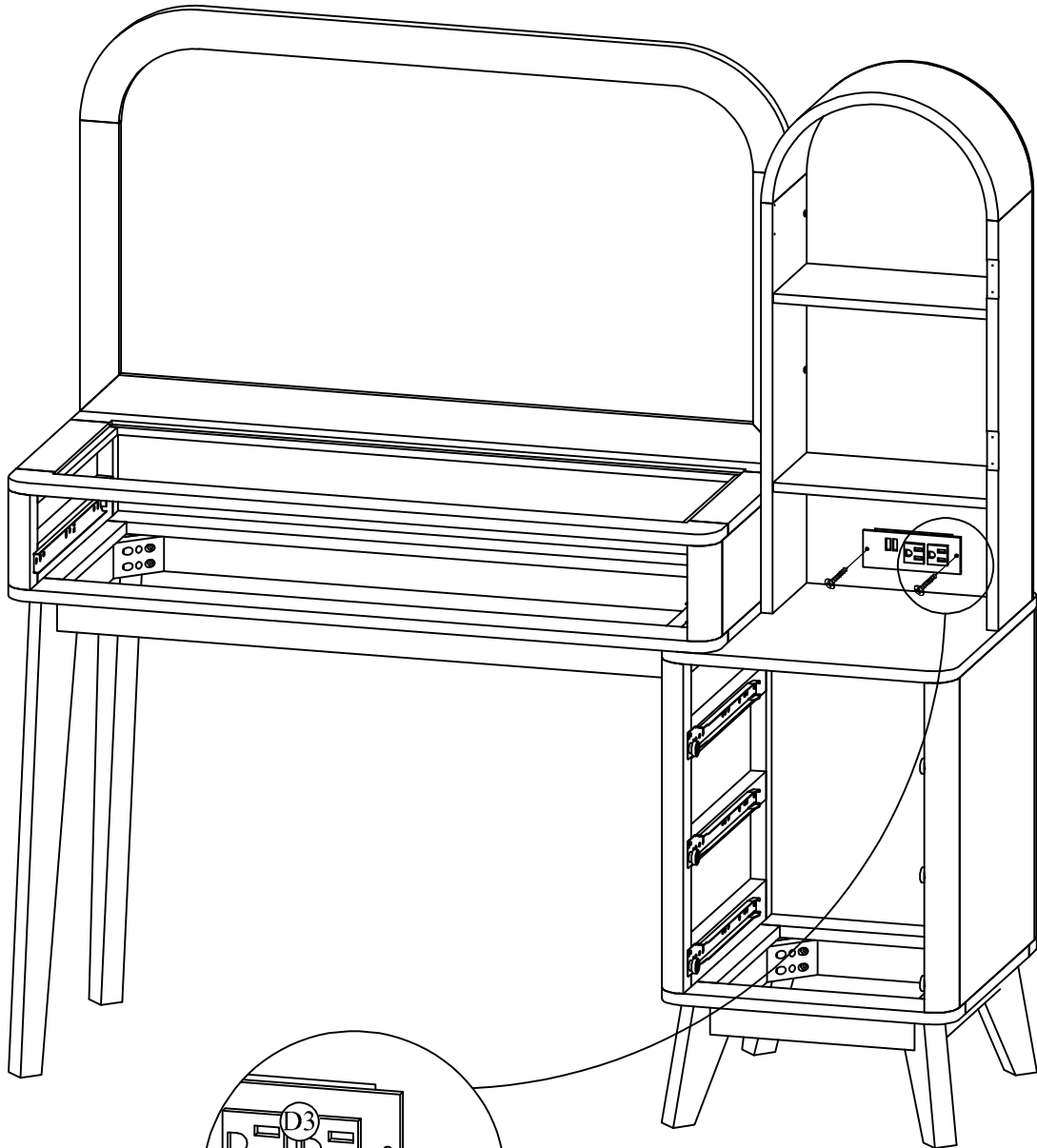
2(pcs)

8(pcs)

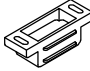
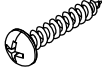


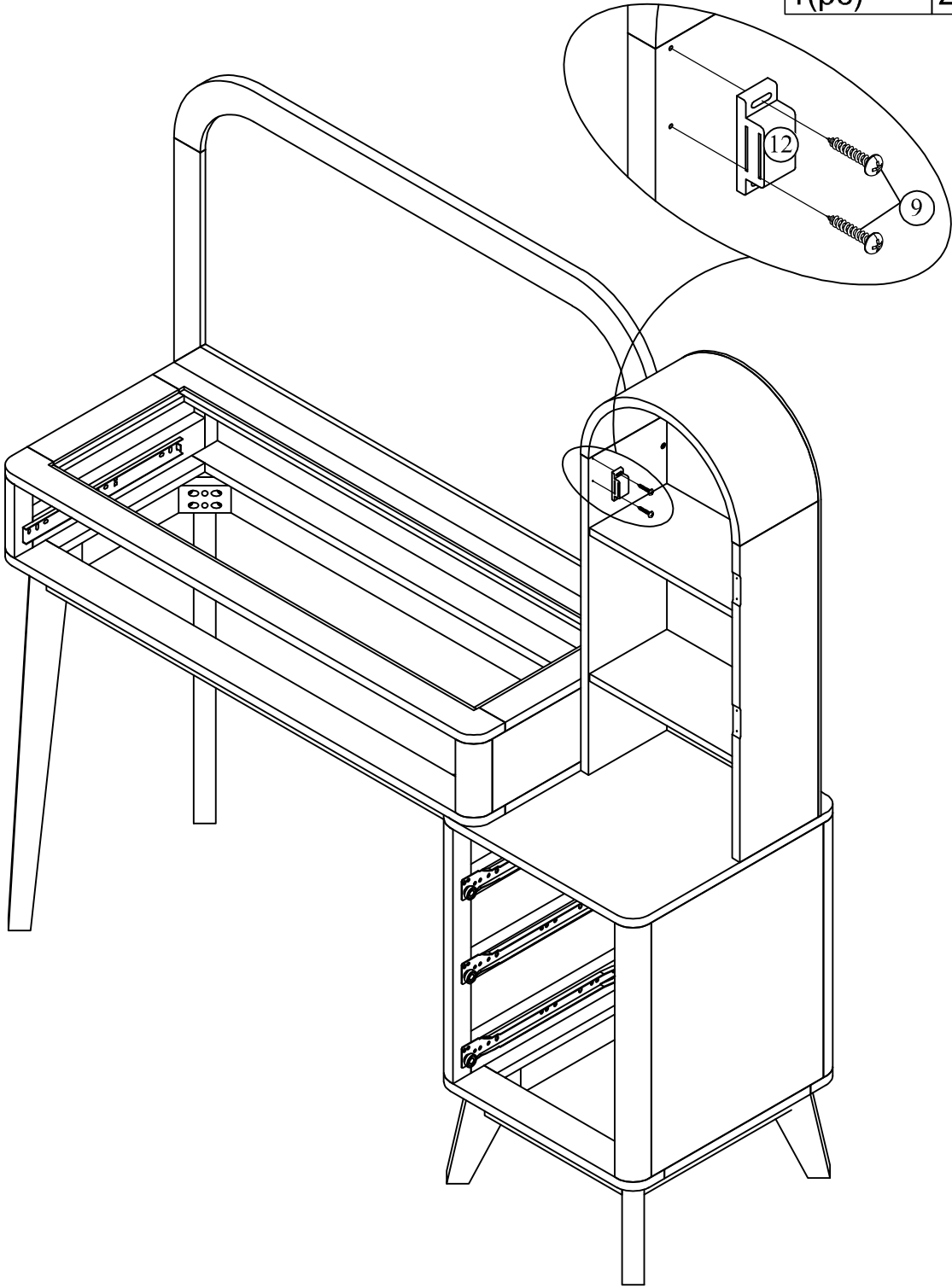
# STEP 13:

D3	16
	
1(pc)	2(pcs)






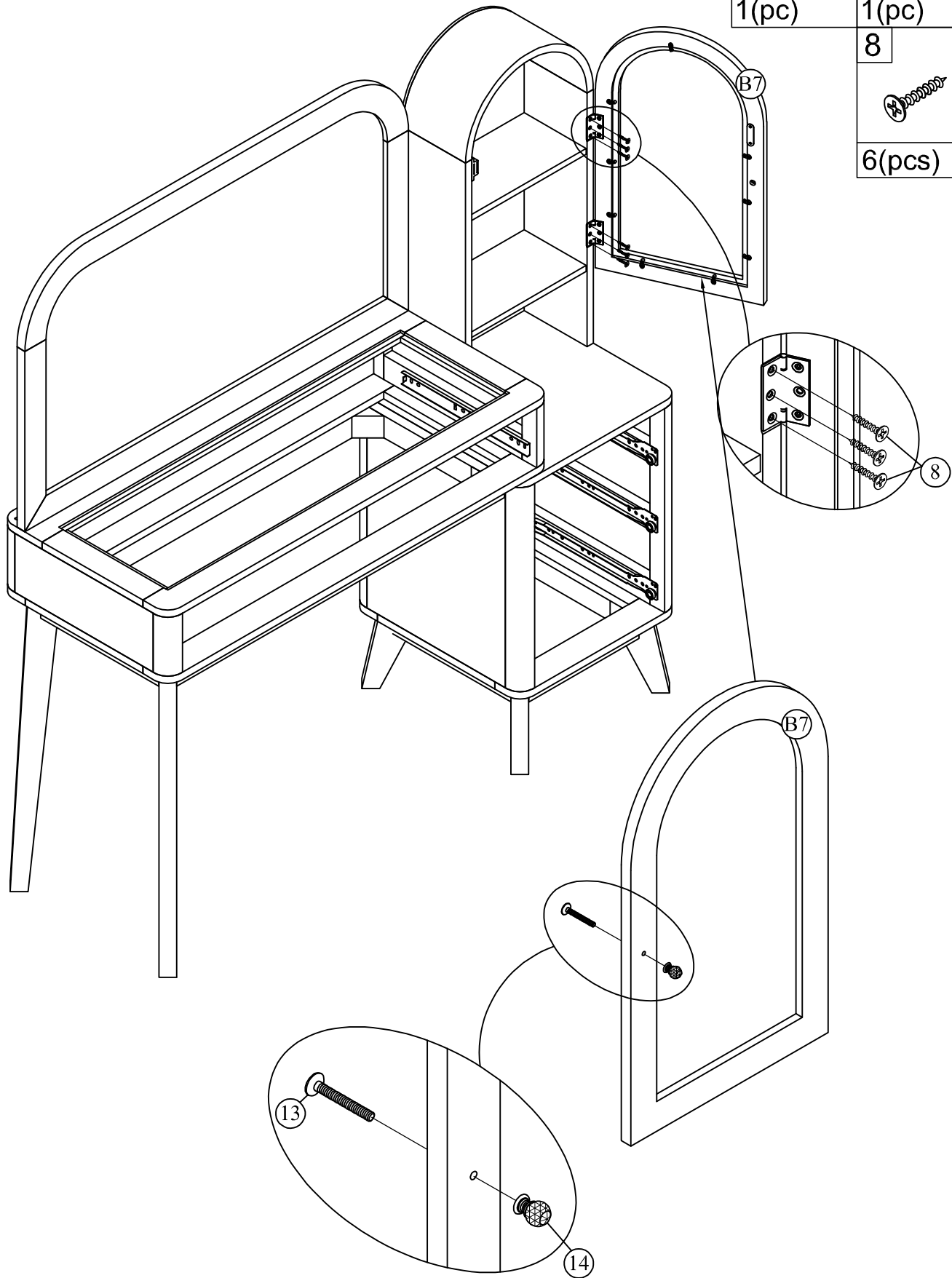
STEP 14:

12	9
	
1(pc)	2(pcs)

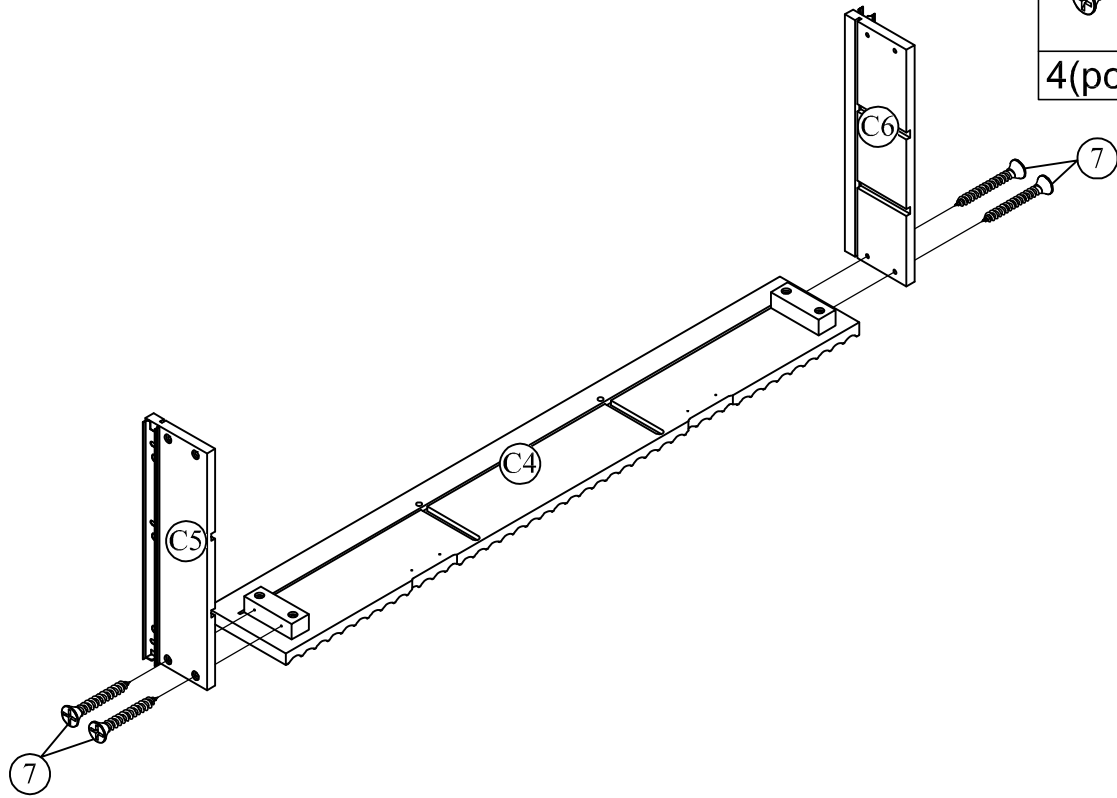


# STEP 15:

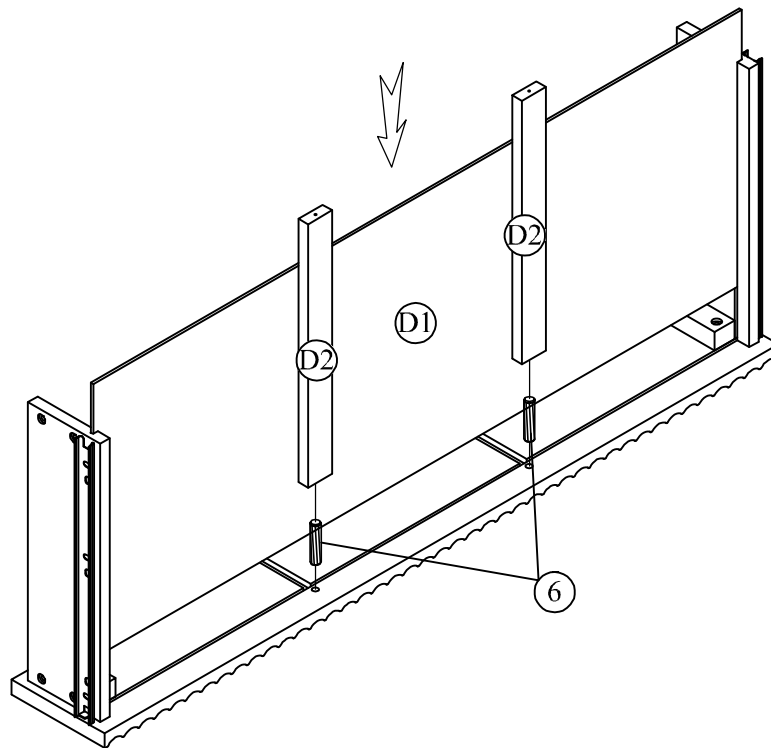
14	13
	
1(pc)	1(pc)
	8
	
	6(pcs)



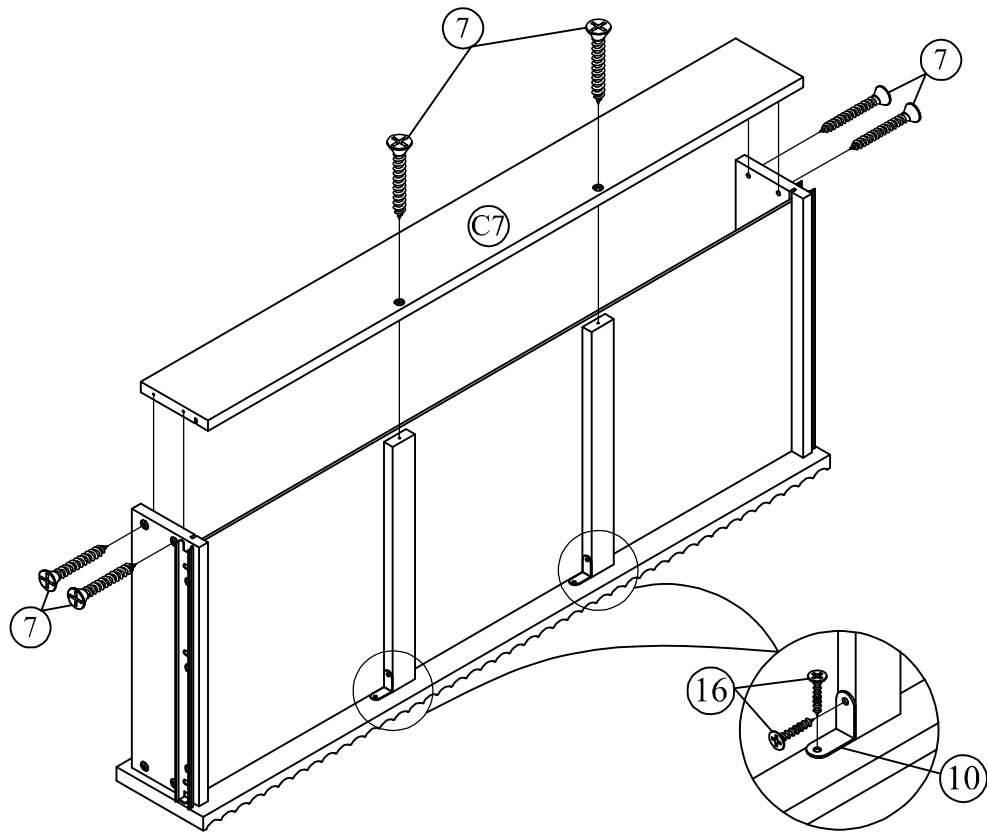
STEP 16:



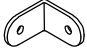


STEP 17:

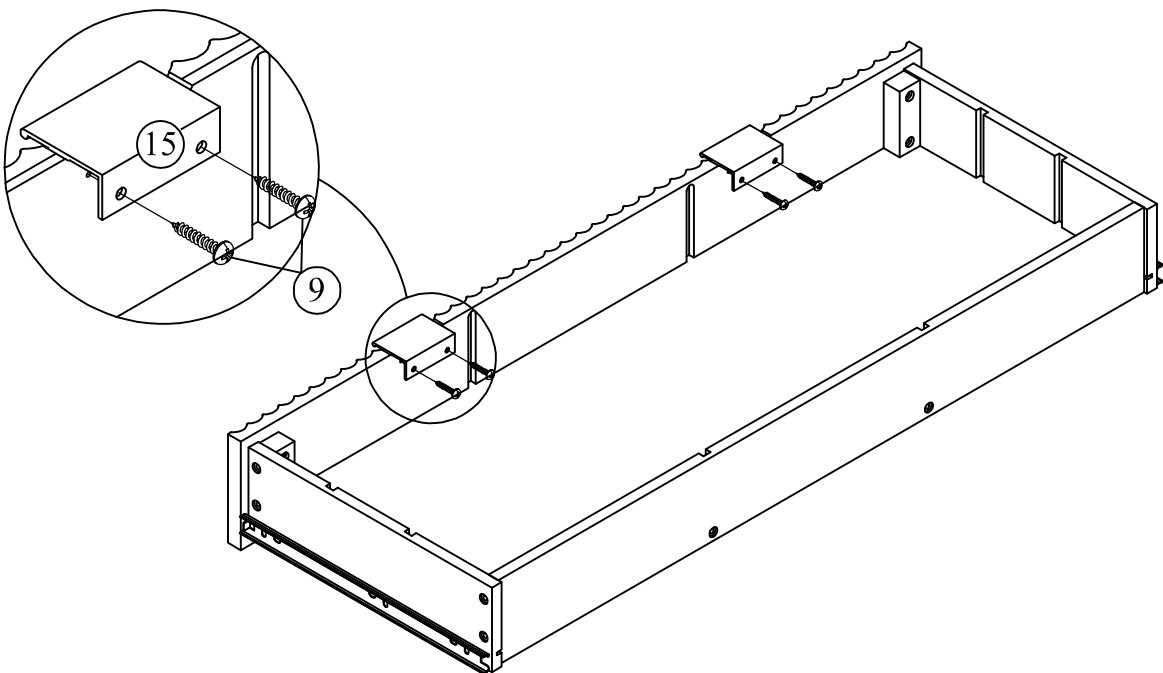



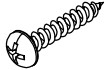
# STEP 18:



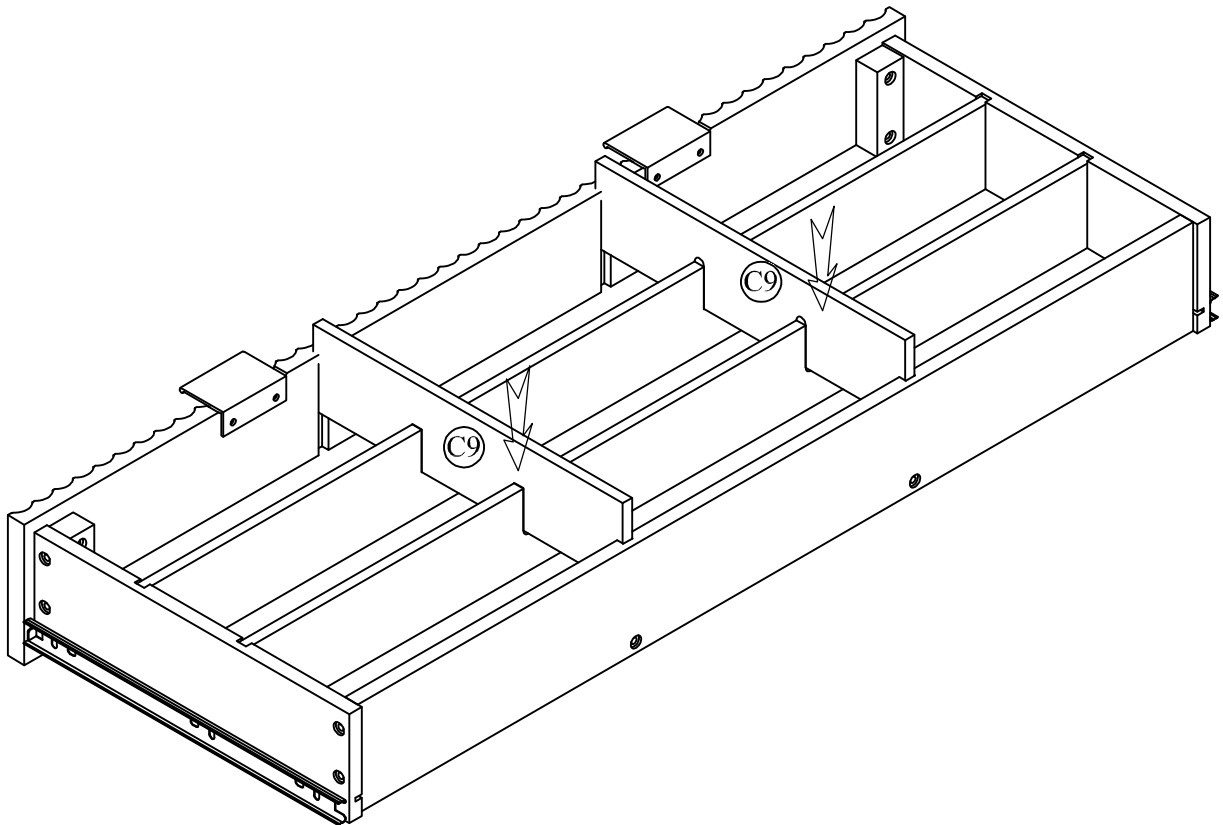
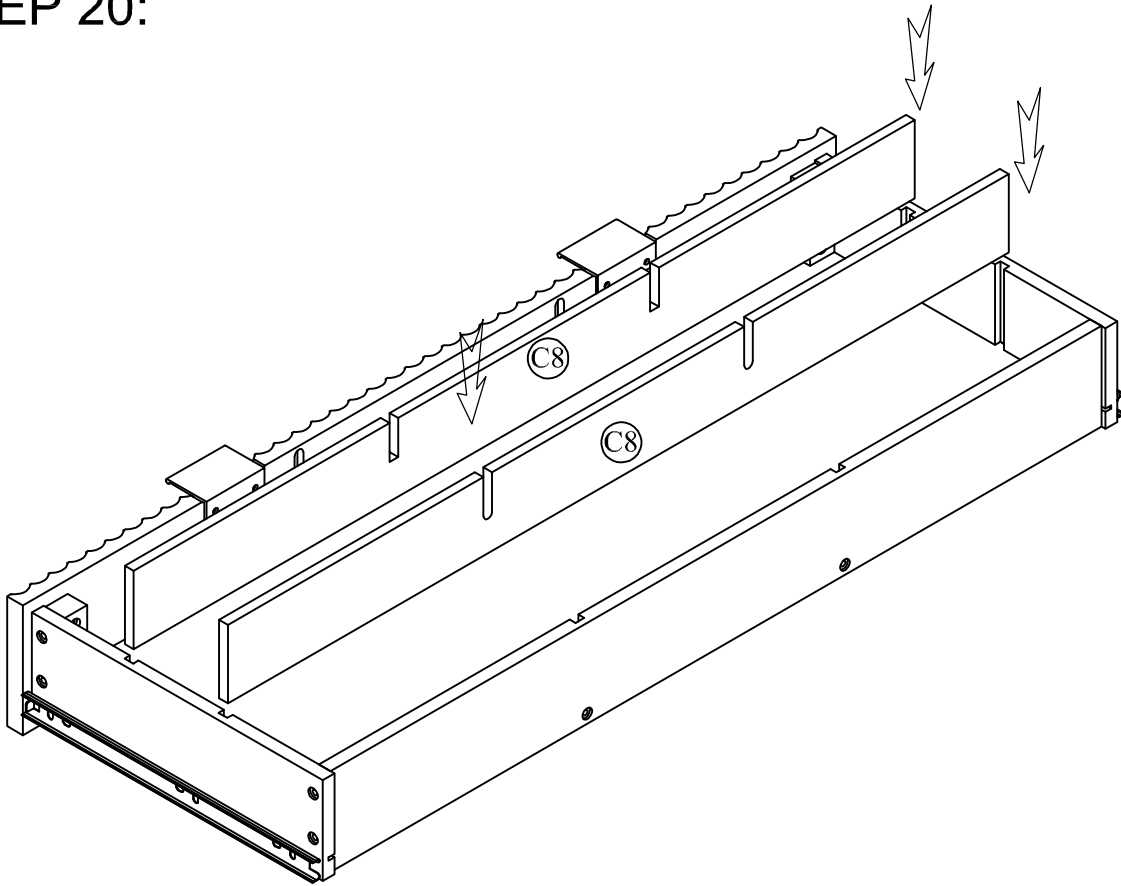
7	
6(pcs)	
16	
4(pcs)	
10	
2(pcs)	

# STEP 19:



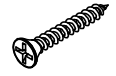
15	9
	
2(pcs)	4(pcs)

STEP 20:

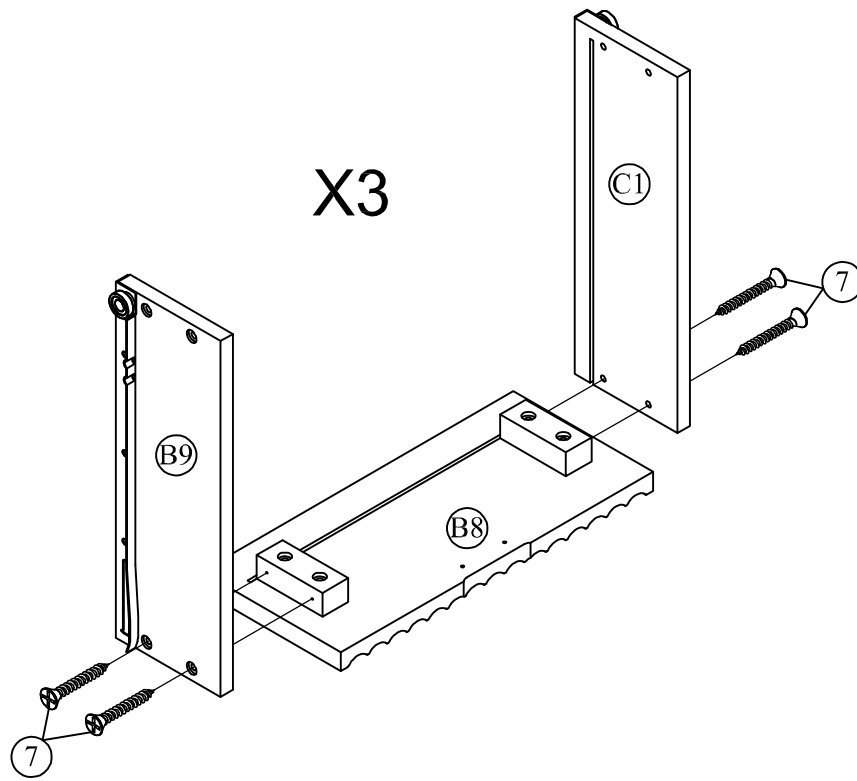


STEP 21:

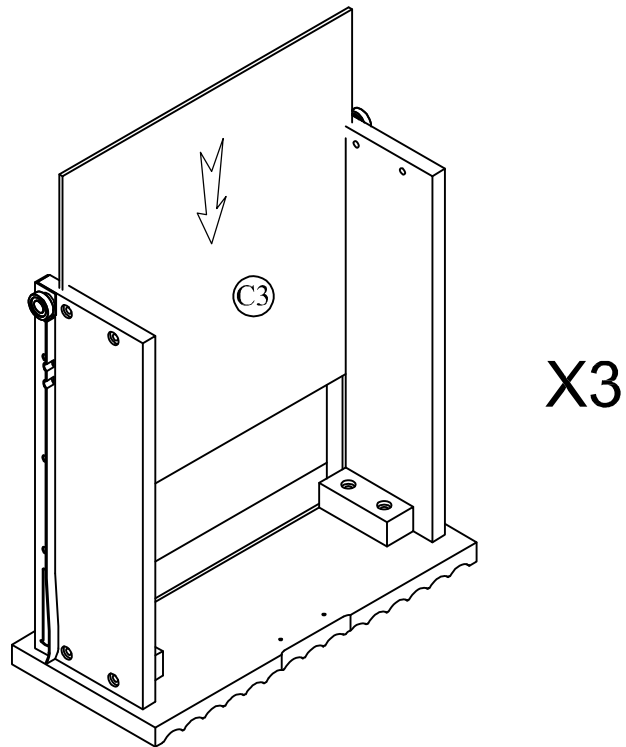
7



12(pcs)

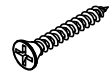


STEP 22:

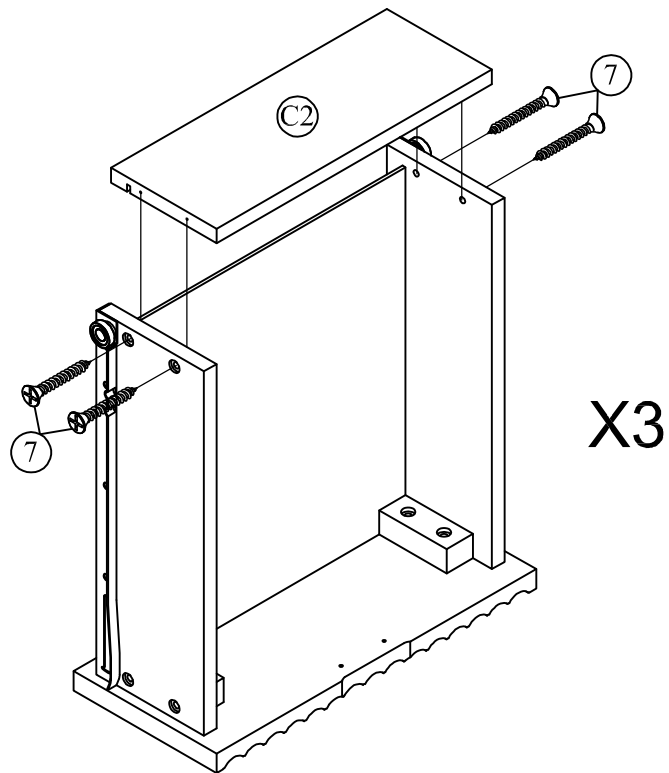


# STEP 23:

7

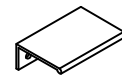


12(pcs)



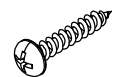
# STEP 24:

15

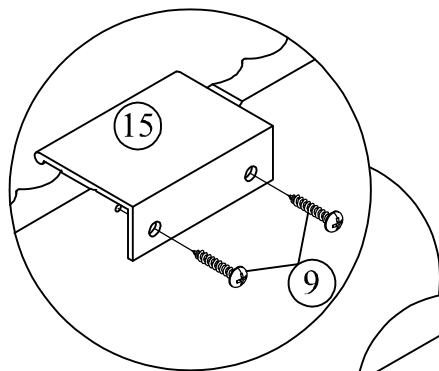


3(pcs)

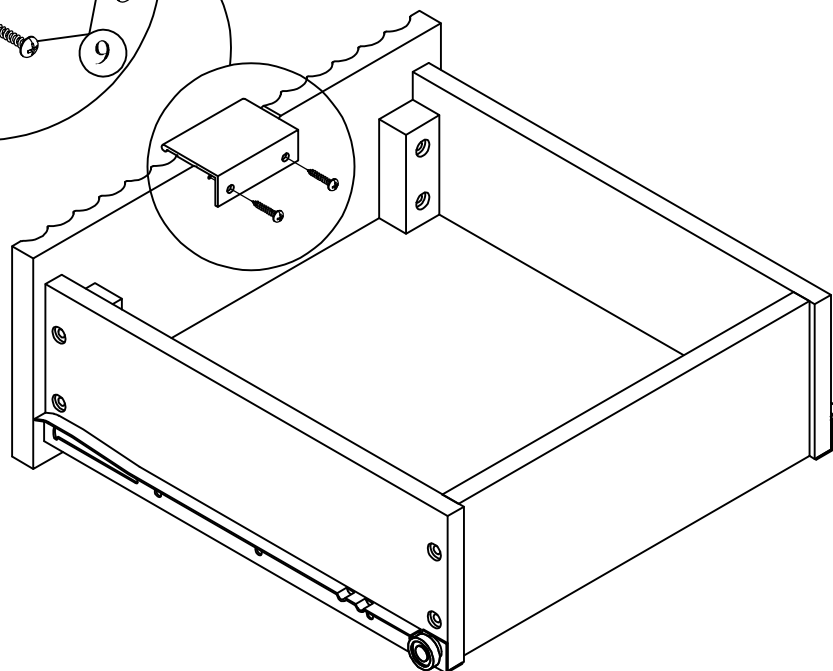
9



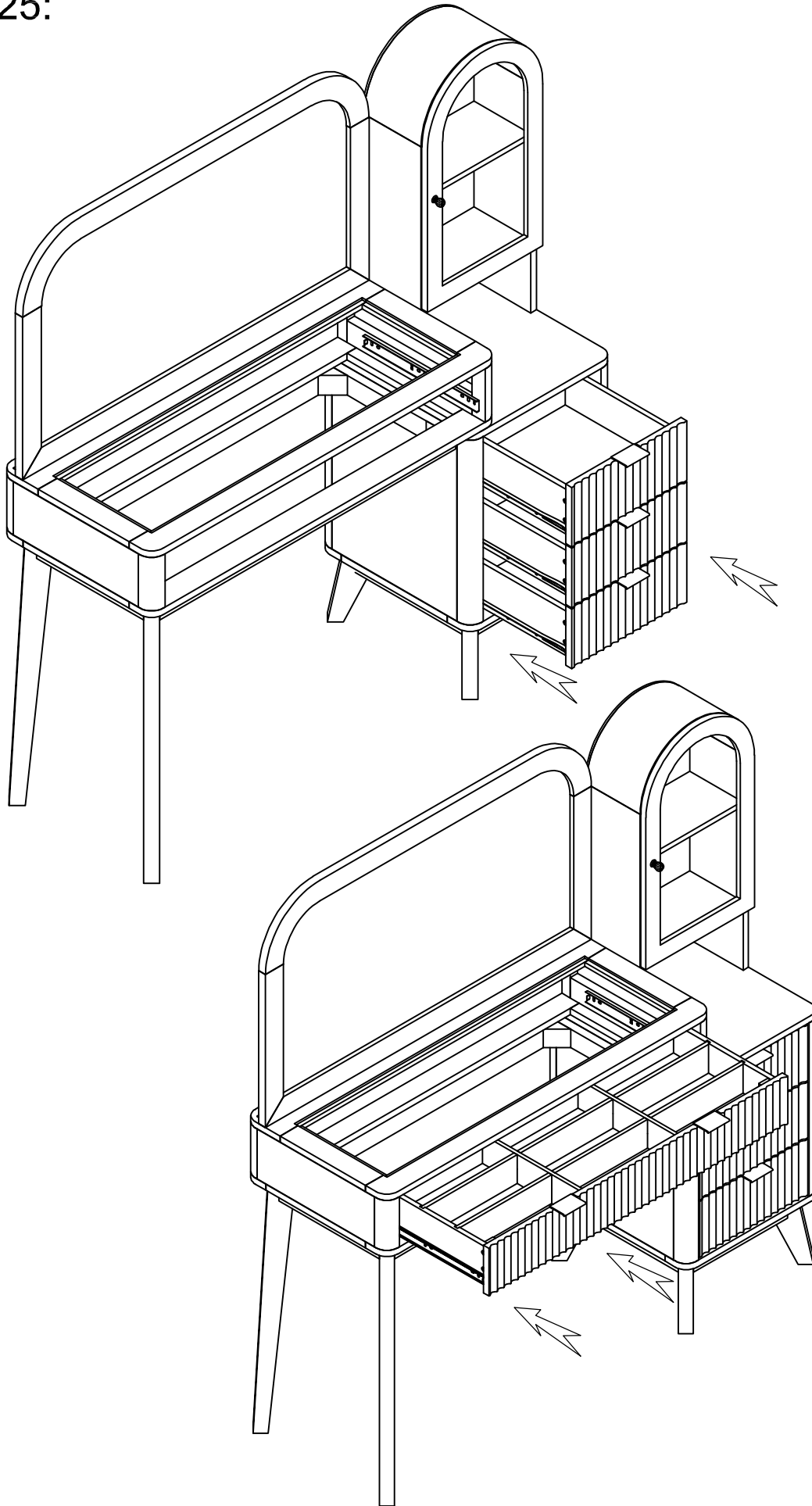
6(pcs)



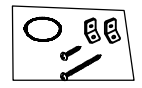
X3



STEP 25:



18



2 Sets

WALL

