



**10' × 13' LOUVERED PERGOLA  
WITH ALUMINUM ROOF  
ASSEMBLY MANUAL**



**MODEL#: LGMF1606C**

Missing part? Damaged? Contact us via email at

[service@domioutdoorliving.com](mailto:service@domioutdoorliving.com)

[www.domioutdoorliving.com](http://www.domioutdoorliving.com)

© Copyright 2023–2025 domioutdoorliving LLC. All Rights Reserved.

# READ ALL INSTRUCTIONS BEFORE USE

## Warning & Attention

-This gazebo is not a toy. Children are not allowed to assemble or disassemble. Please take care of children, do not let them play around when assemble or disassemble.

-Adults only for assemble or disassemble this product.

-This product is constructed with heavy duty frame, please do not lean or climb before it finish assembling.

-Even though our hardtop gazebo is sturdy, please do not stand under the gazebo during a lightning storm.

-DO NOT use this gazebo if any parts show signs of instability or damage.

-Maximum weight capacity is 1000 pounds.

-If moderate to heavy snow is forecast, open the lovers to avoid snow accumulating.



Three or more people are needed for assembly.



Find out and use the hex keys in the box.



One or more ladders are necessary.



A phillips screwdriver is required.



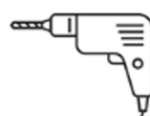
Please wear protective glove before assembly.



Please don't fully tighten the screws prior to complete assembly.

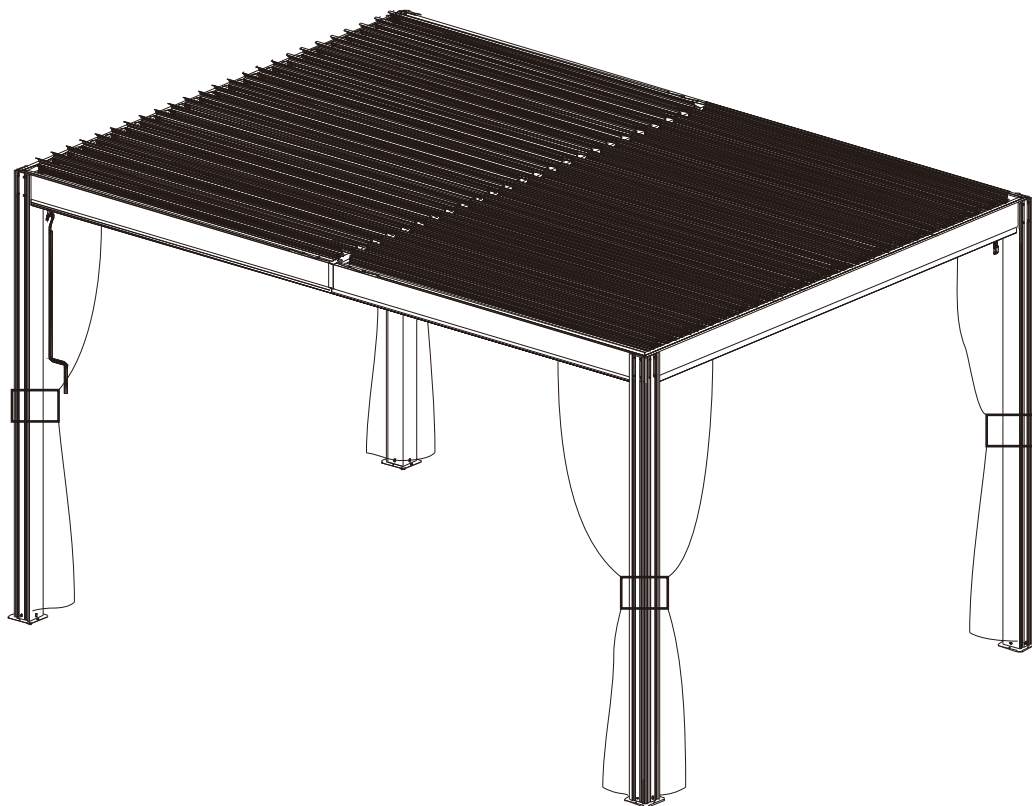
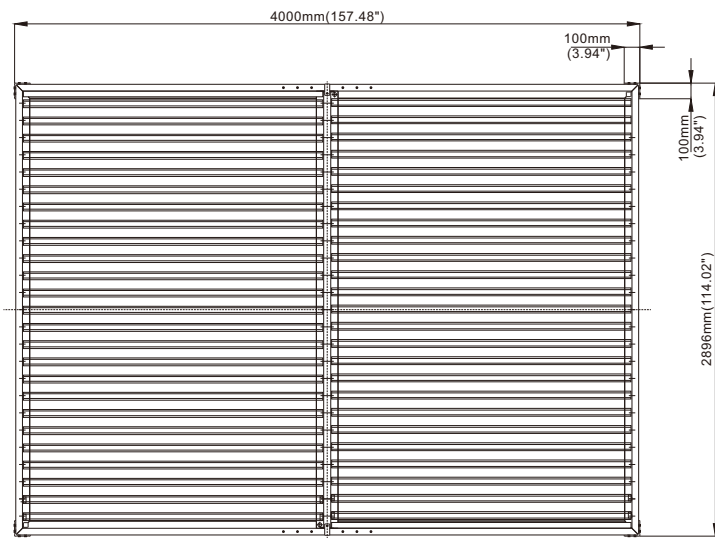
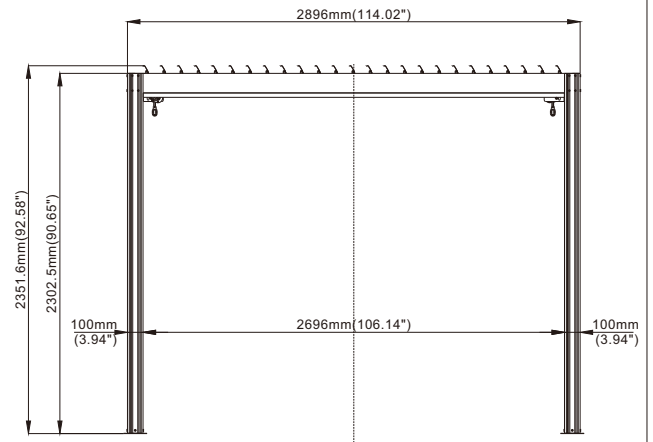
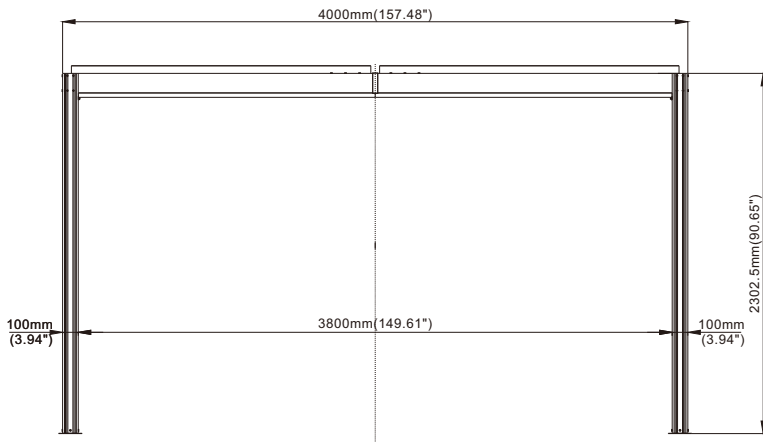


Please wear a safety hat.

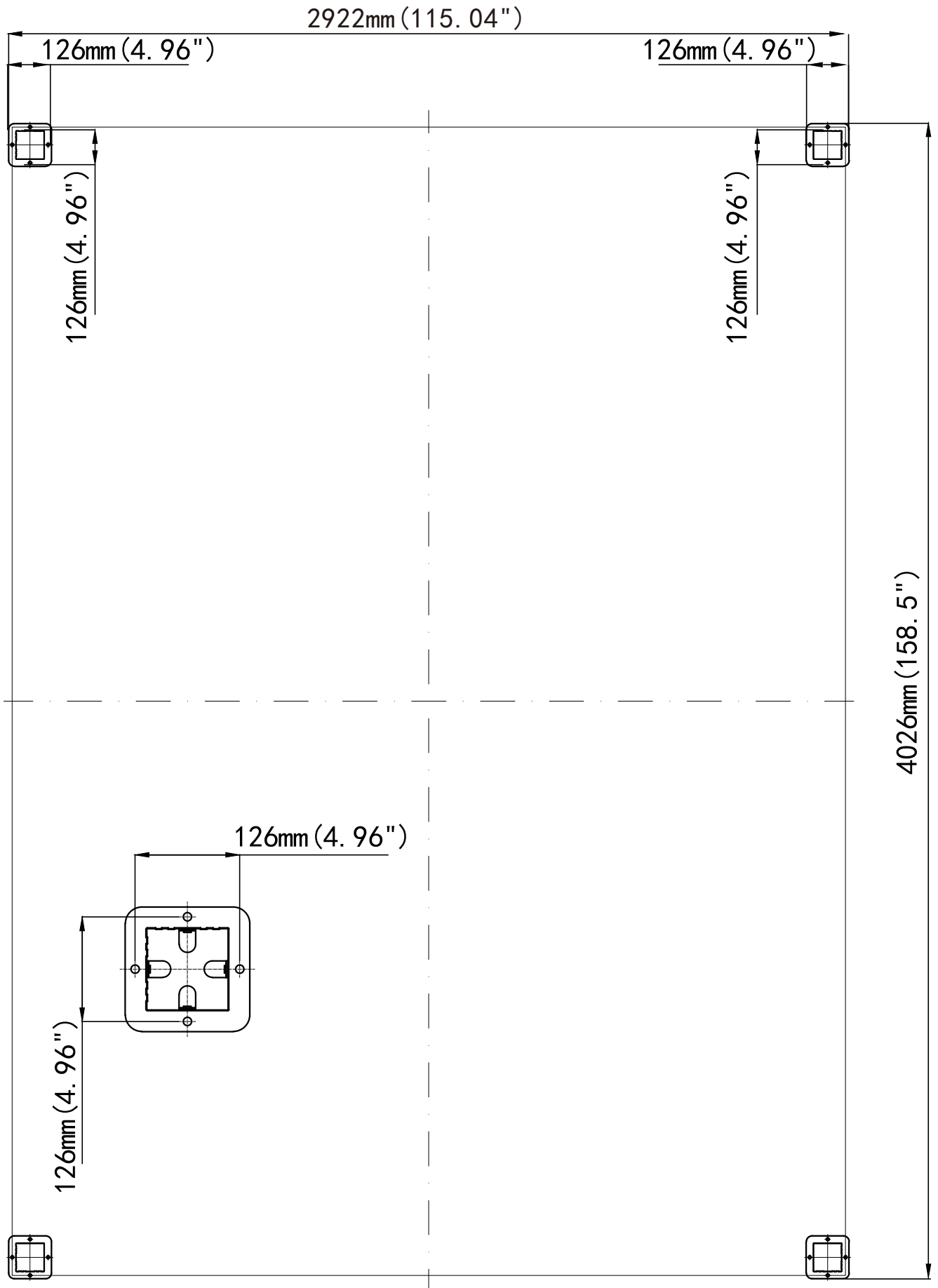


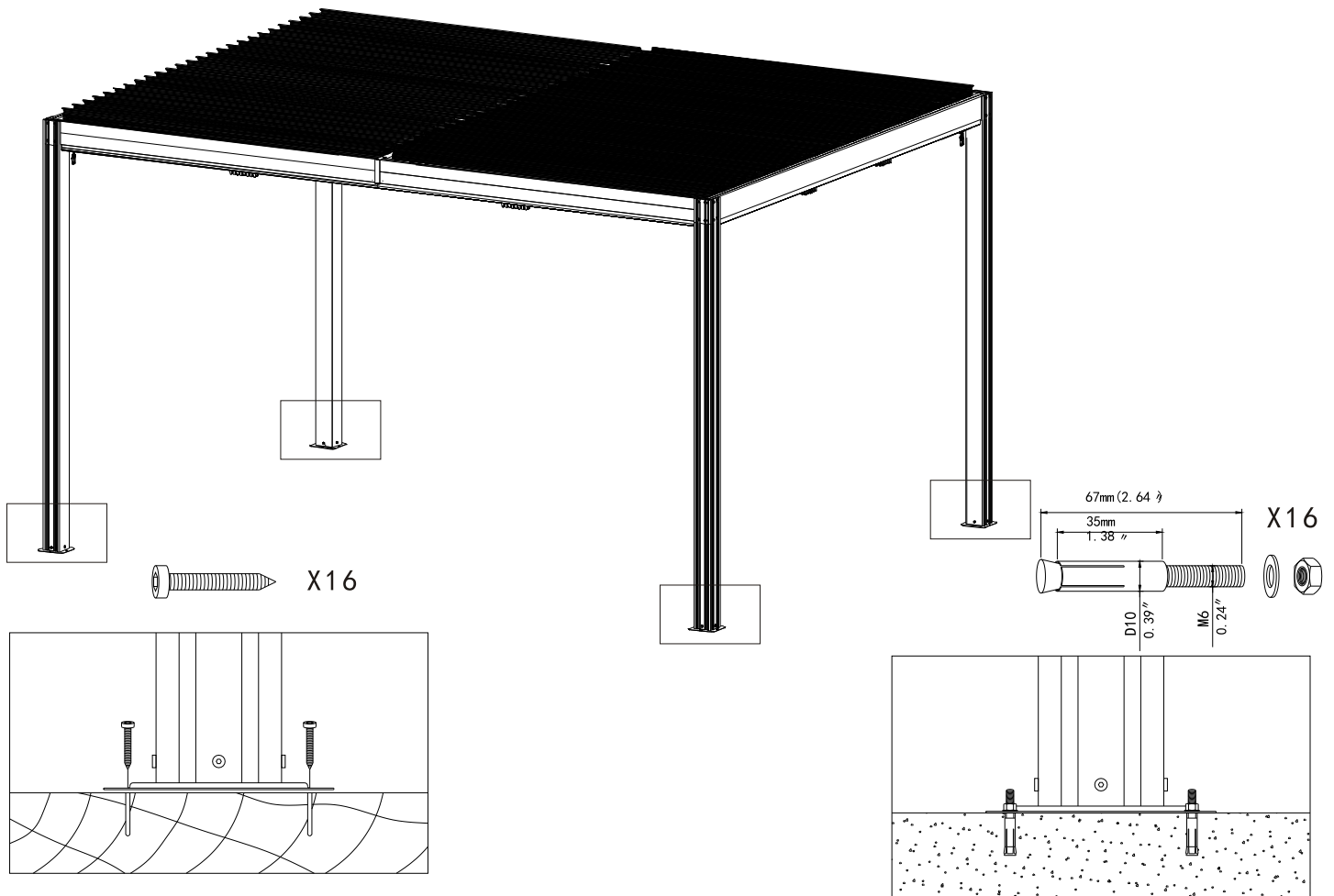
You may need prepare a drill.

# 10' x 13' Louvered Pergola Dimension



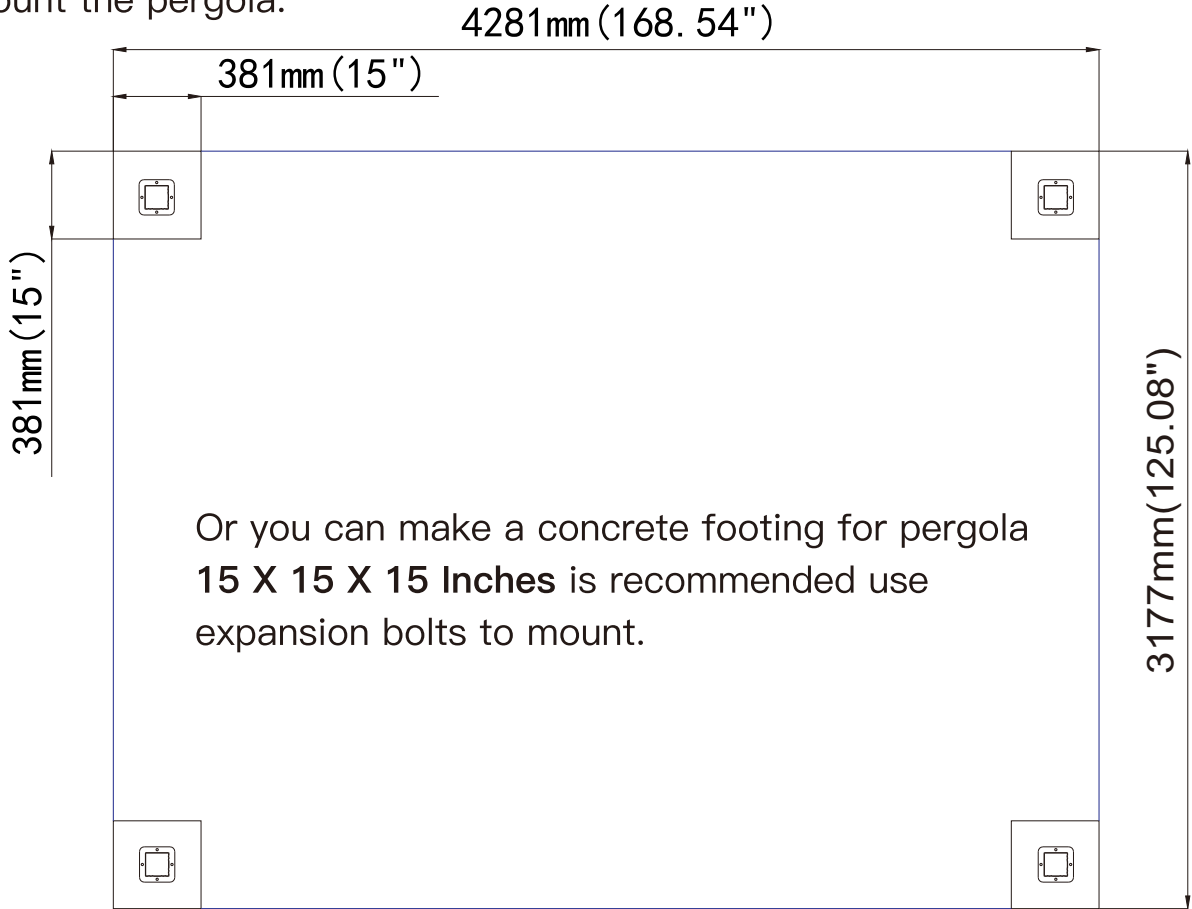
# MOUNTING BLUEPRINT Pergola 10' x 13'



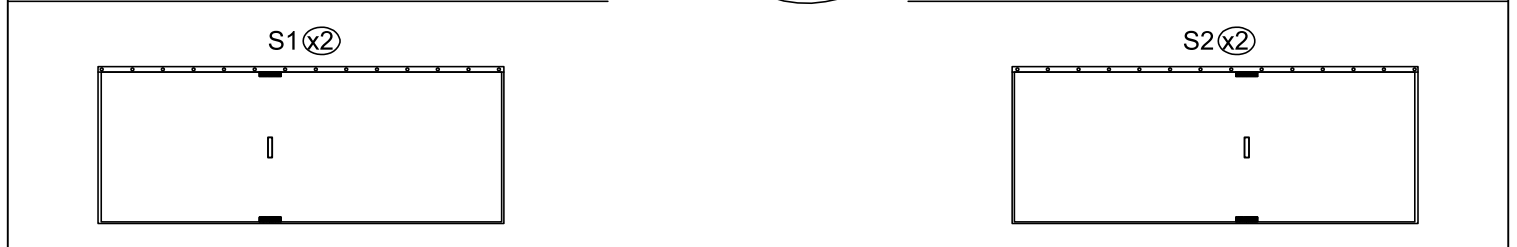
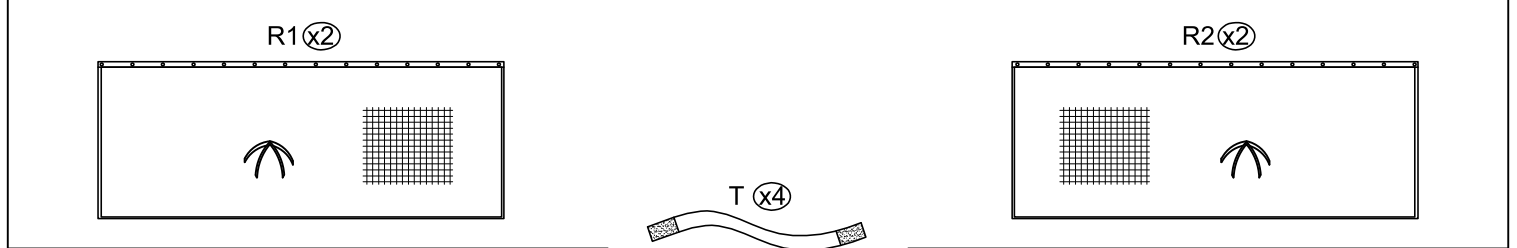
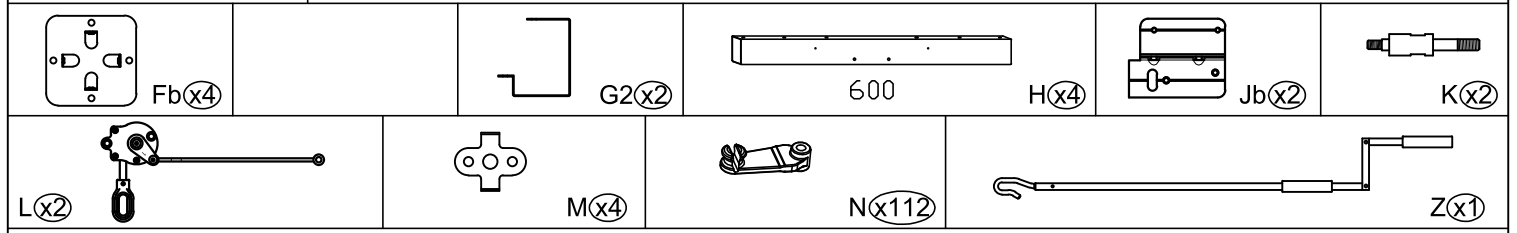
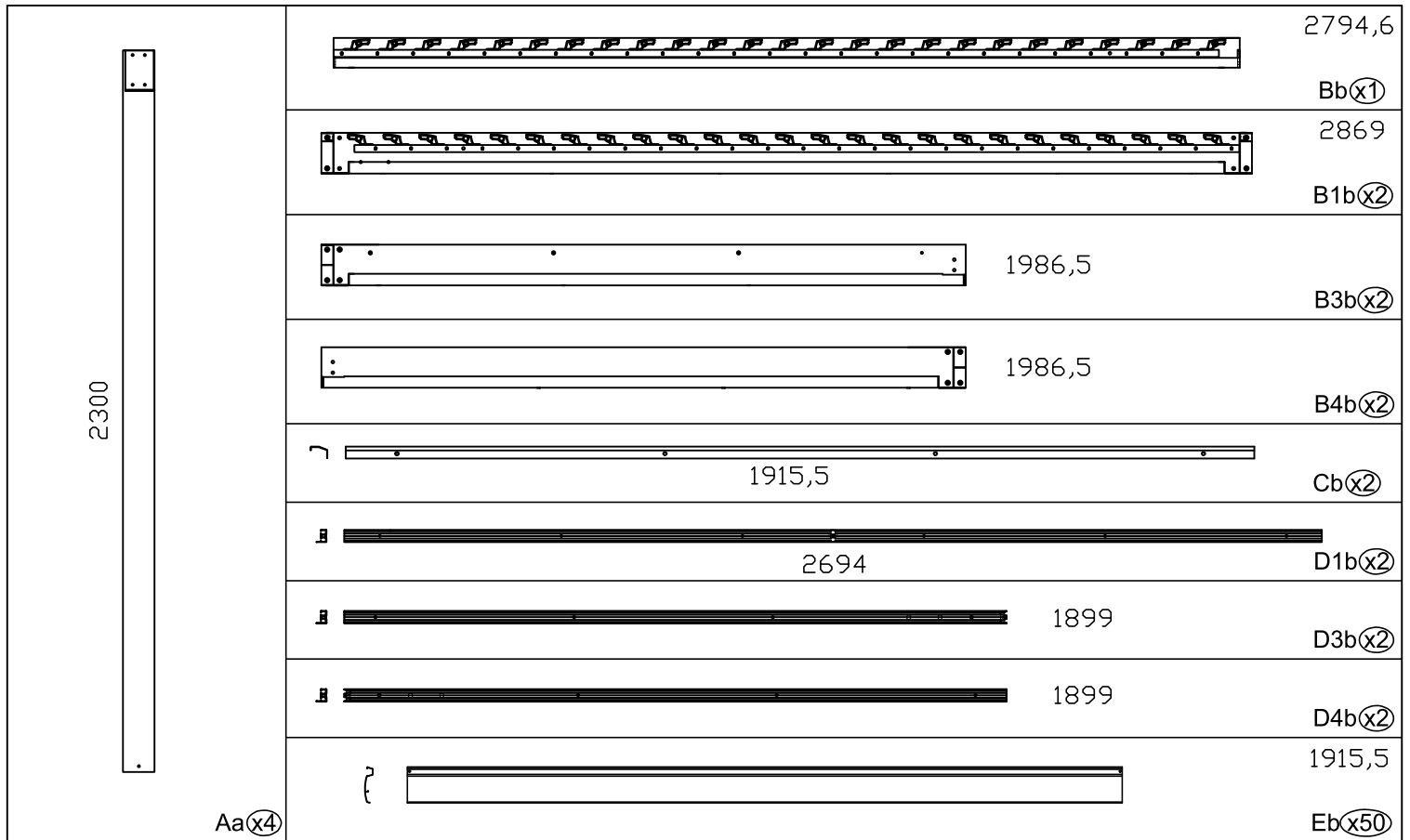


If the deck is hard wood and the depth of it is over 3 inch you can use **5/16 in. x4 in. Structural Wood Screw** to mount the pergola.

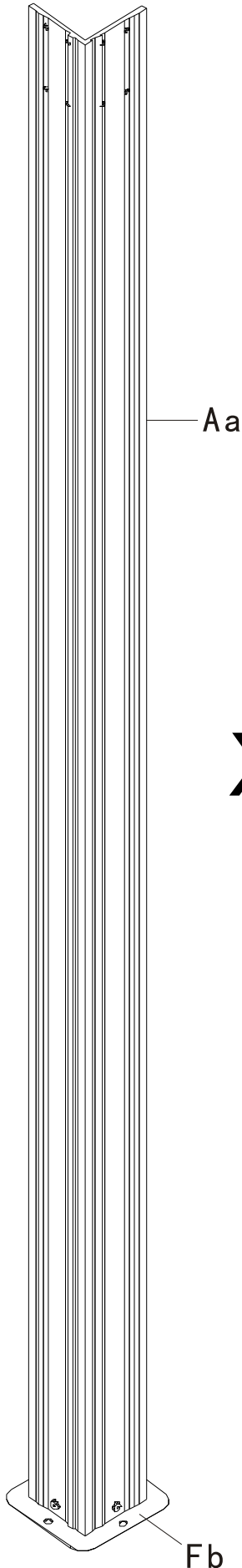
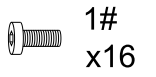
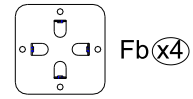
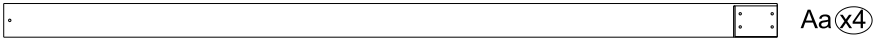
If the ground is concreted and the depth of it is over 3 inch you can use 1/4 inch expansion bolts to mount the pergola.



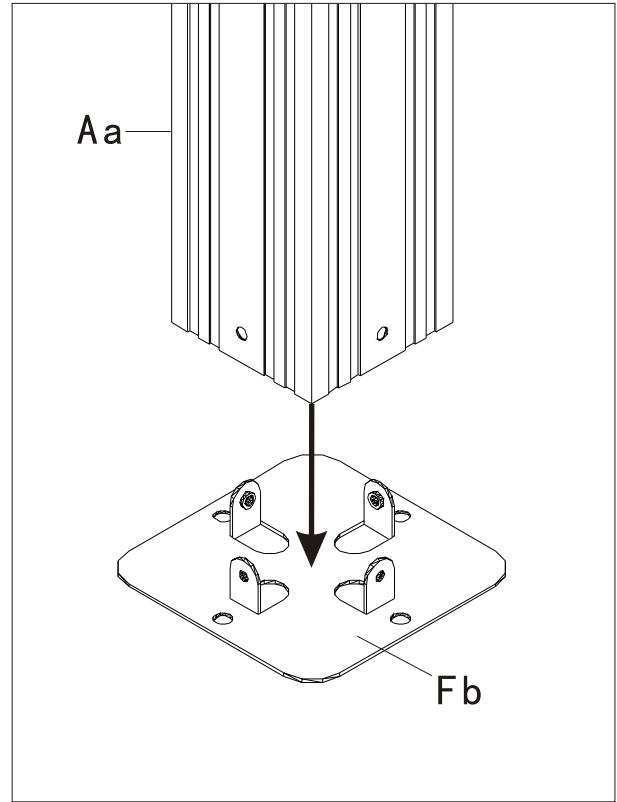
Or you can make a concrete footing for pergola **15 X 15 X 15 Inches** is recommended use expansion bolts to mount.



M6x16	1# x48	M6x30	5# x4	M8x36	8# x4
M6x20	2# x32	M6	6# x2	M6x16	9# x4
M5x16	3# x8	M8	7# x2	ST4.2x16	10# x112
M5x30	4# x24	S6 x1	S4 x1	S10 x1	S13 x2
				x1	

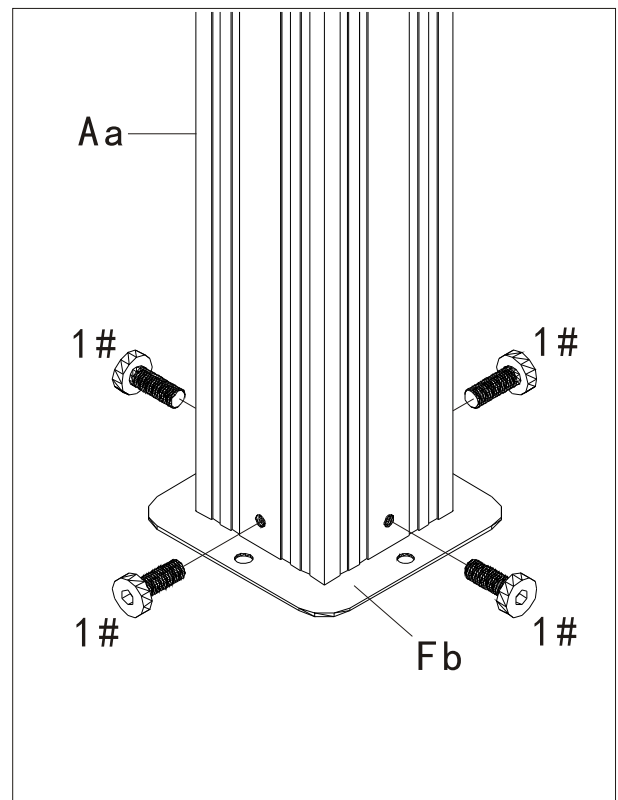


**X4**



**Step 1:**

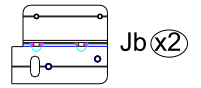
Connect Part #Aa and Part #Fb with 4 Bolts 1# as shown. ↓



Repeat the above procedures to assemble the other 3 posts.

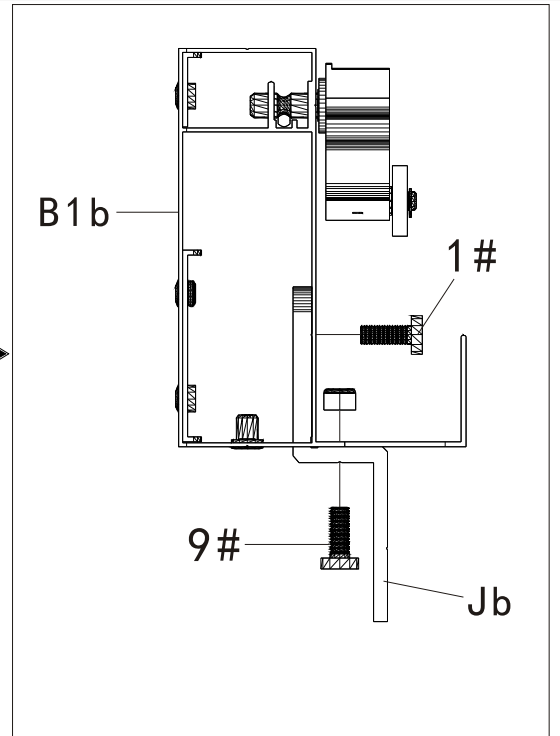
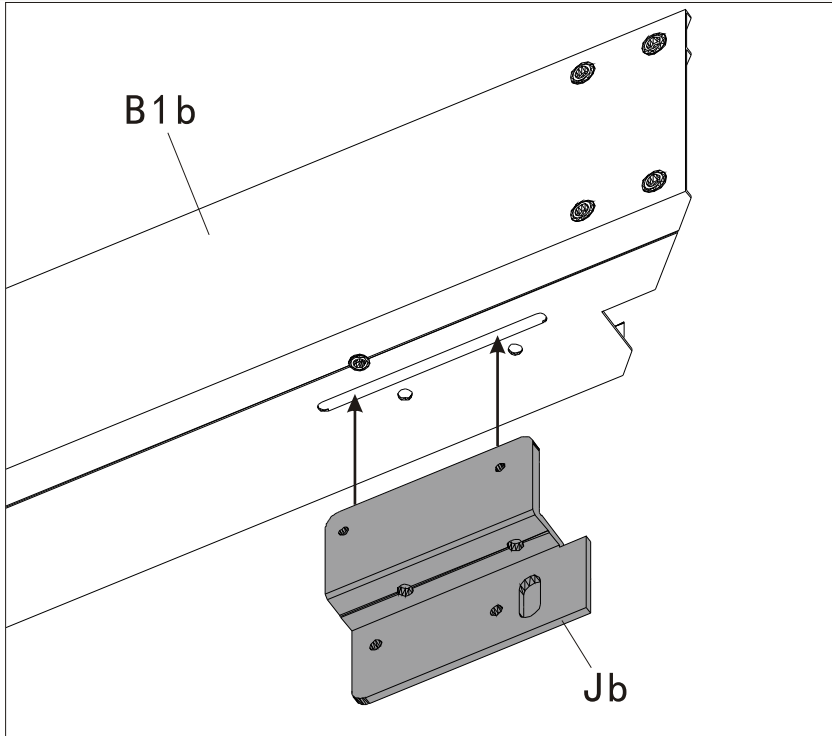


B1b(x2)



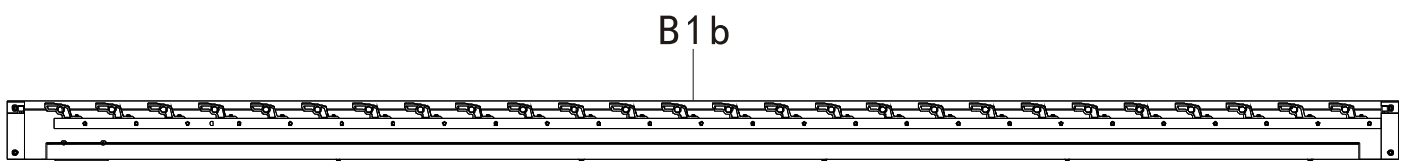
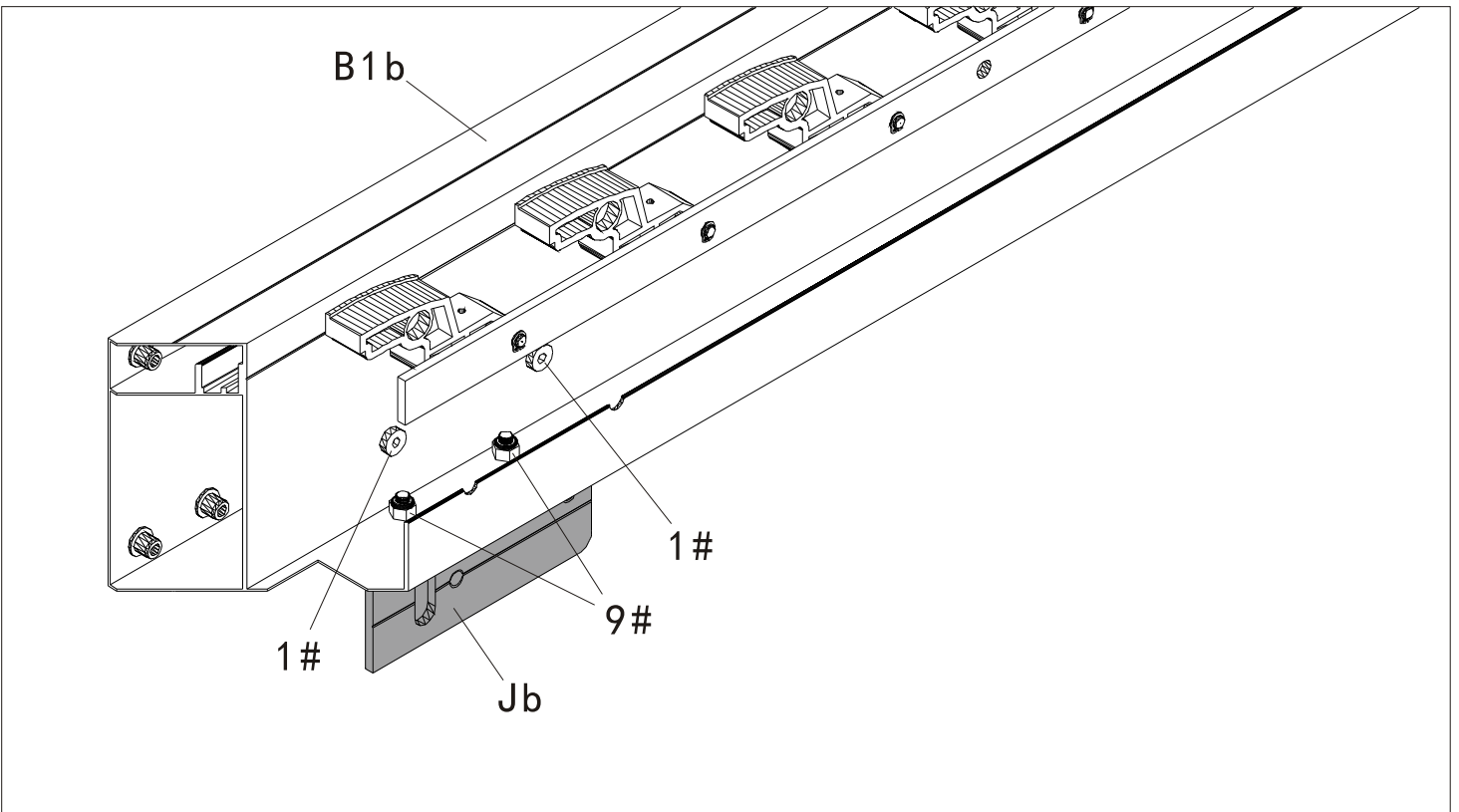
1#  
x4

9#  
x4



### Step 2:

Insert Part #Jb into Part #B1. Secure with 2 Bolts 1# and 2 Bolts 9# as shown. 



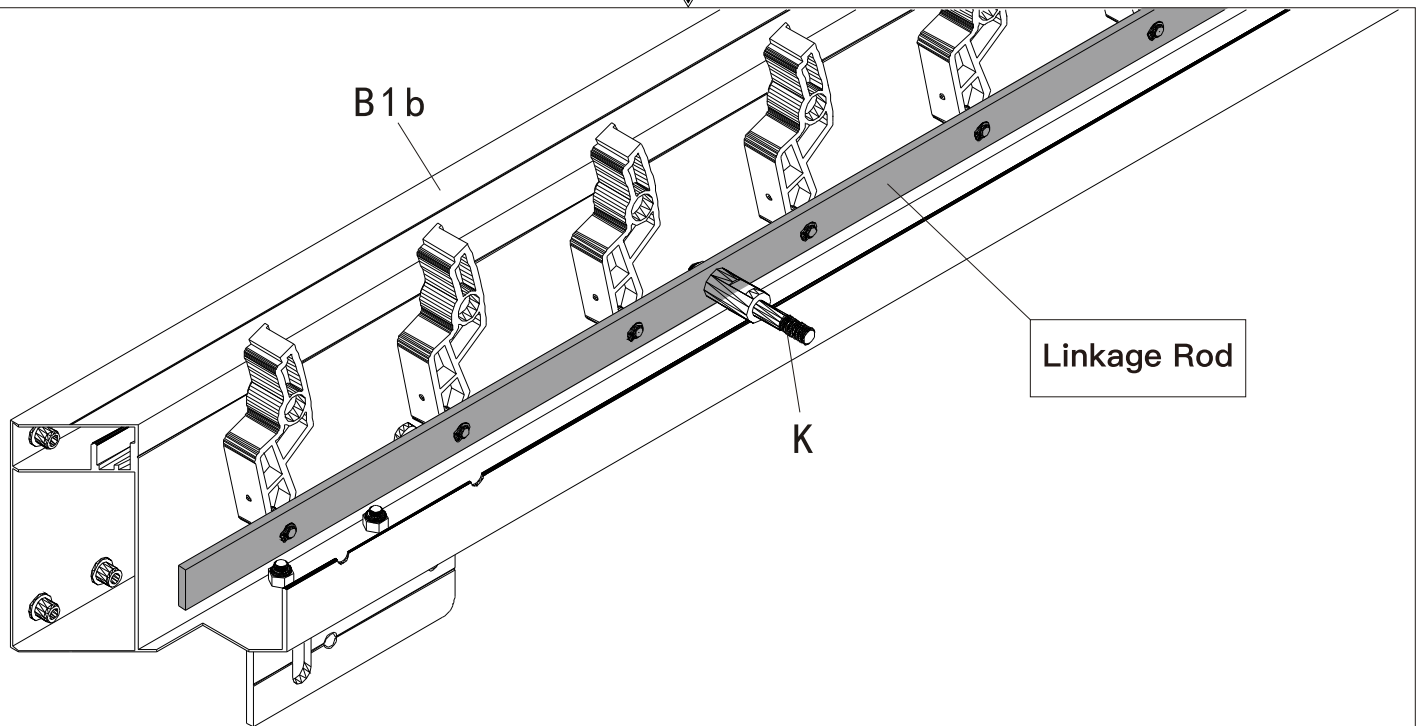
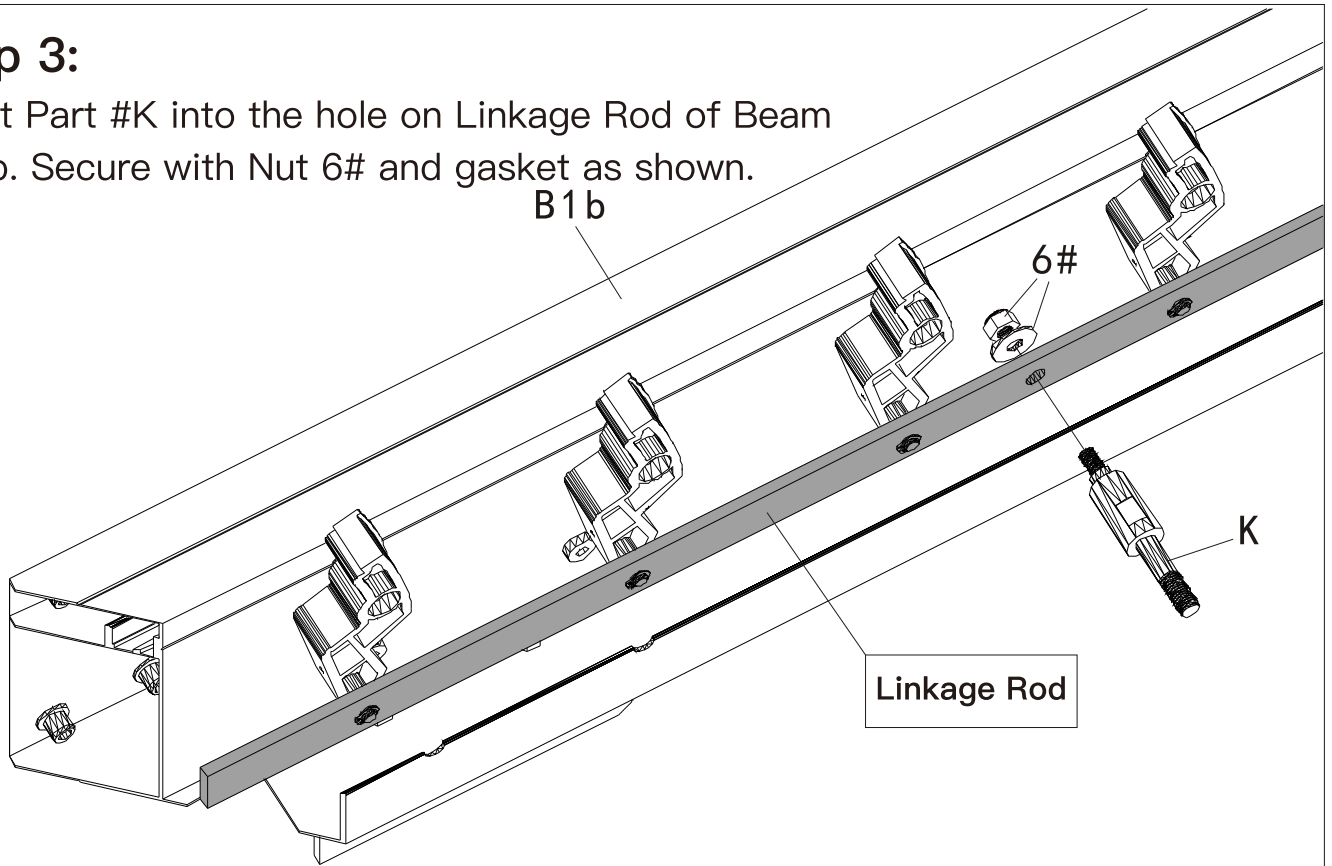
Jb Repeat the above procedures to assemble another beam.

K(x2)

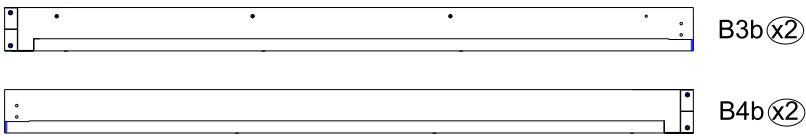
6#  
x2

### Step 3:

Insert Part #K into the hole on Linkage Rod of Beam #B1b. Secure with Nut 6# and gasket as shown.

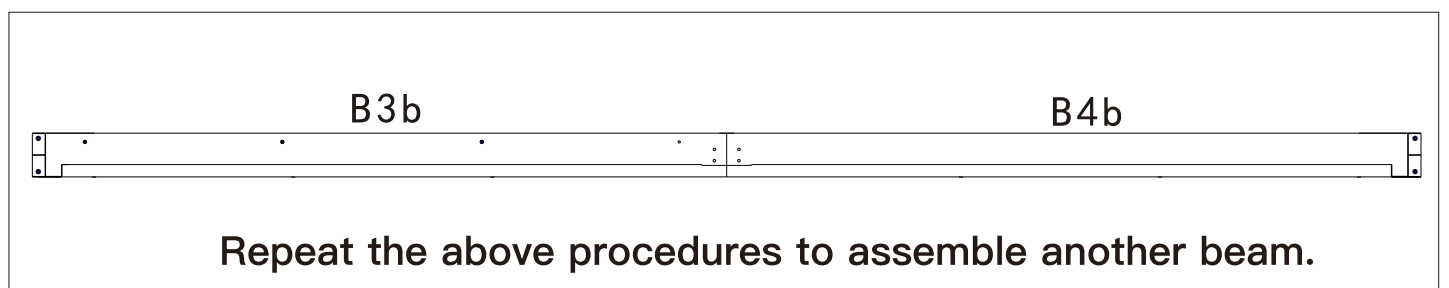
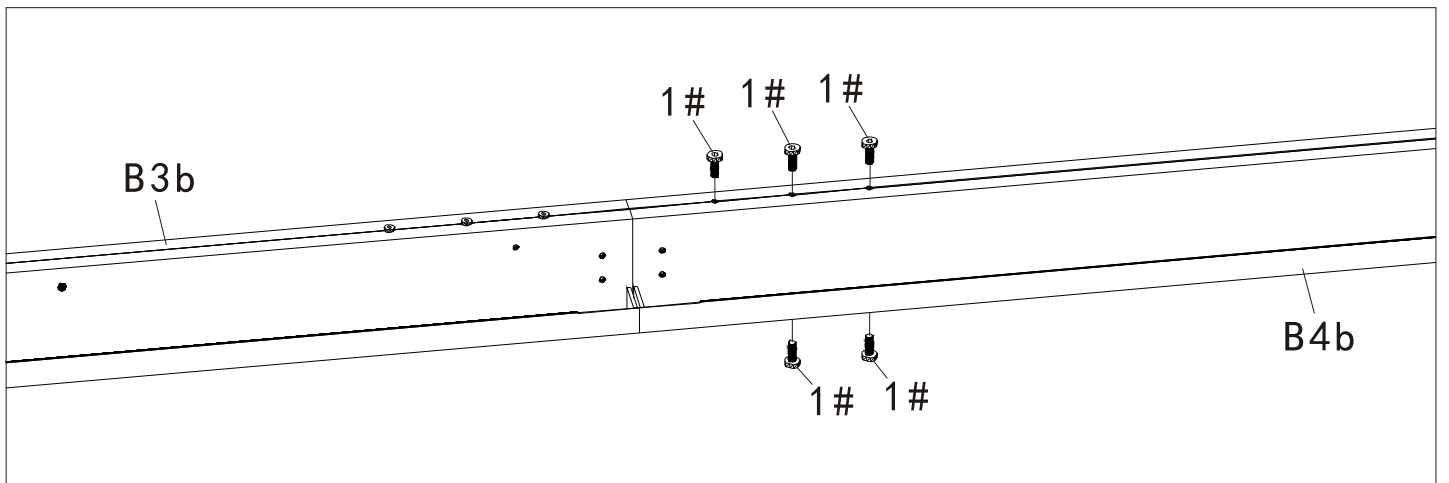
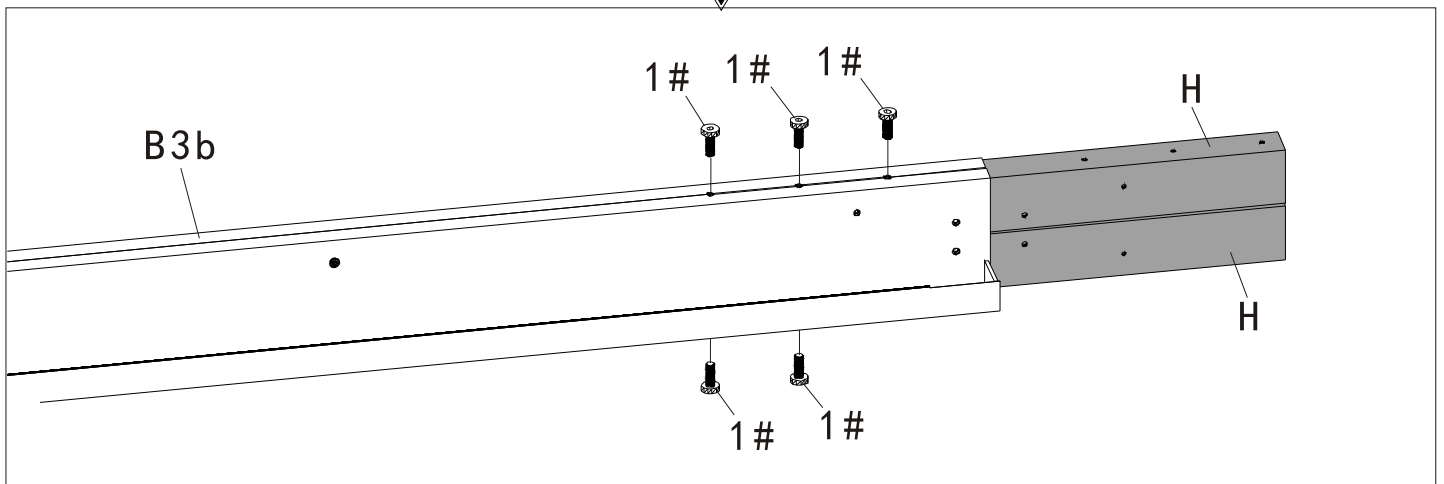
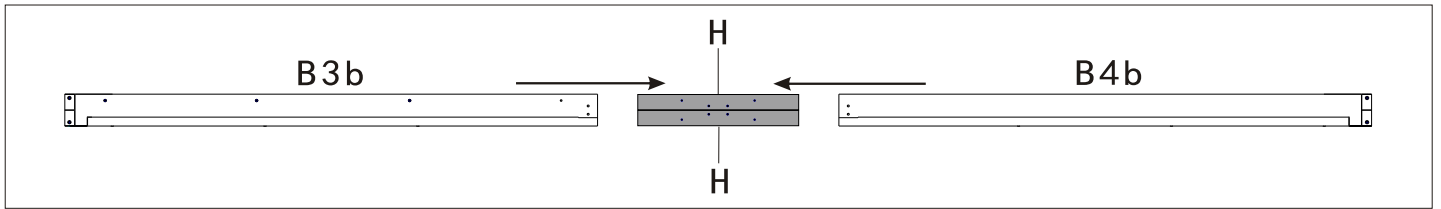


Repeat the above procedures to assemble another beam.



### Step 4:

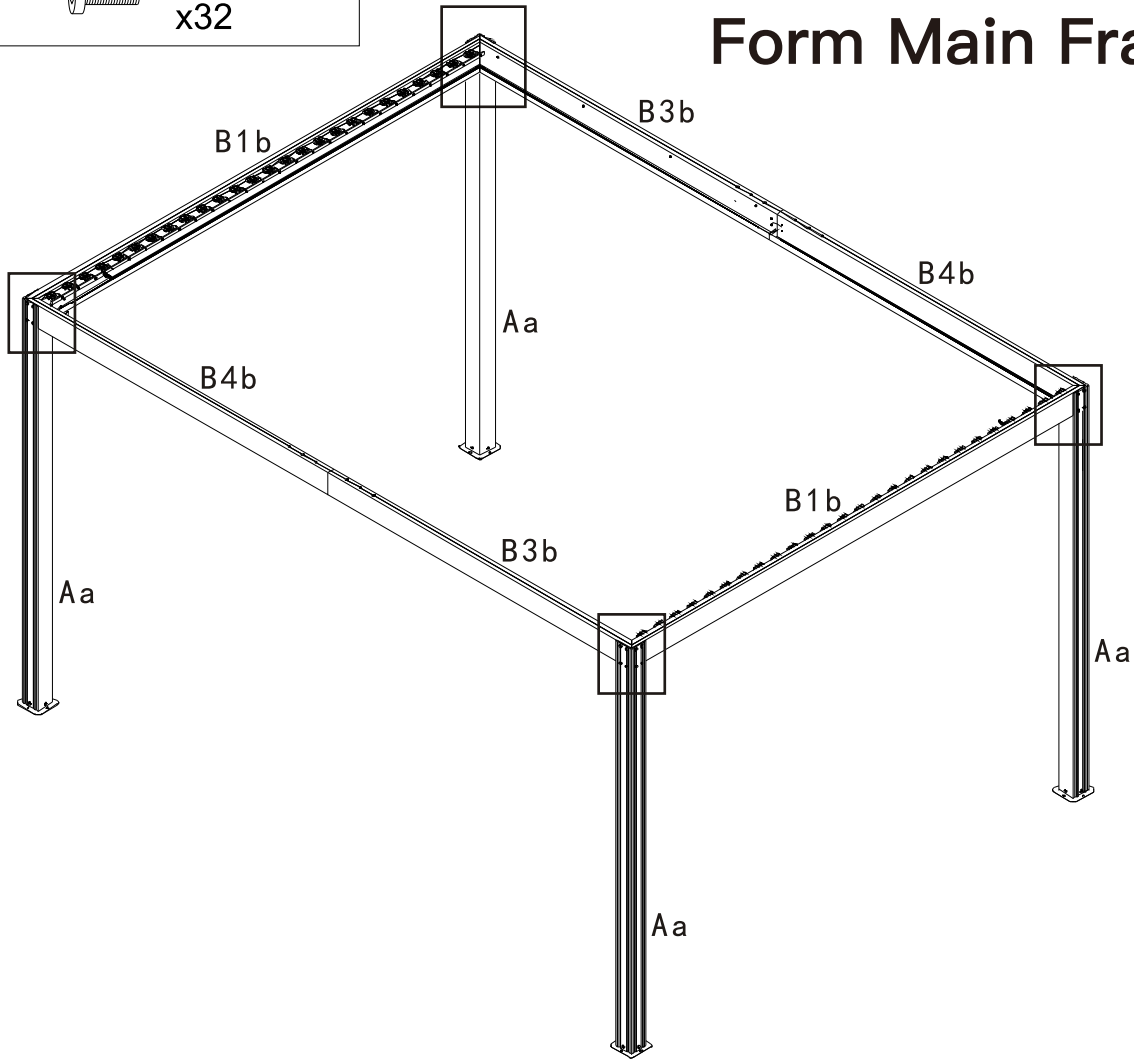
Insert 2 Part# H into Part #B3b and Part #B4b with 10 Bolts 1# as shown.





2#  
x32

# Form Main Framework

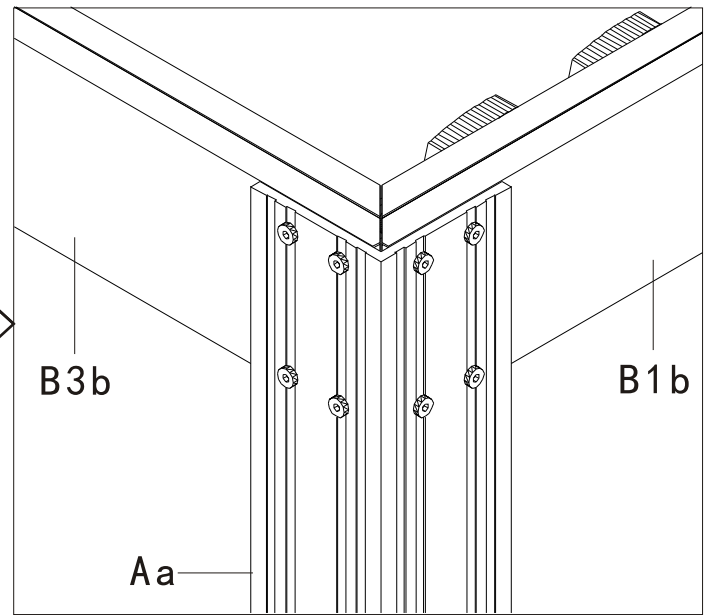
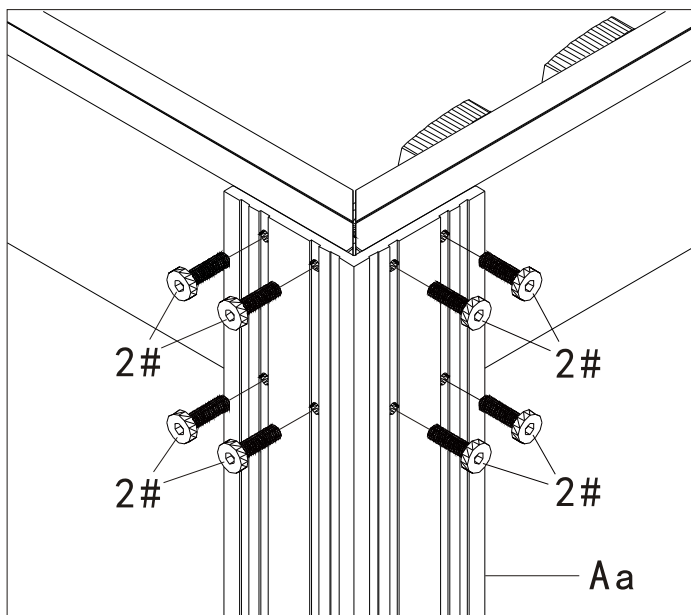


## Step 5:

Install 8 Bolts 2# to secure Beam #B1b and Beam #B3b/B4b with Post #Aa as shown.

Repeat the above procedures to assemble the other three sides.

**⚠ ATTENTION:** Don't tighten the bolts before all bolts are in the correct place.



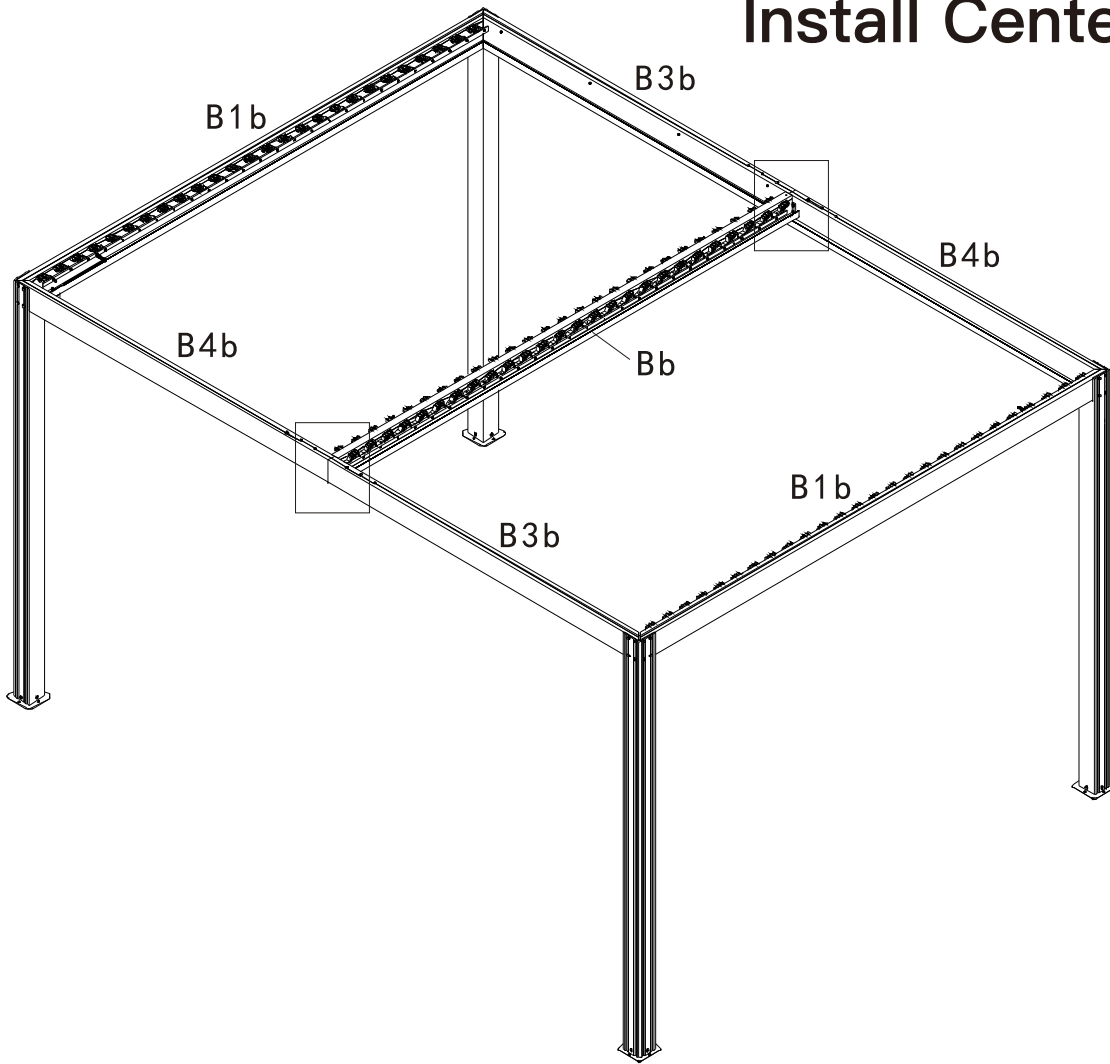


Bb(x1)



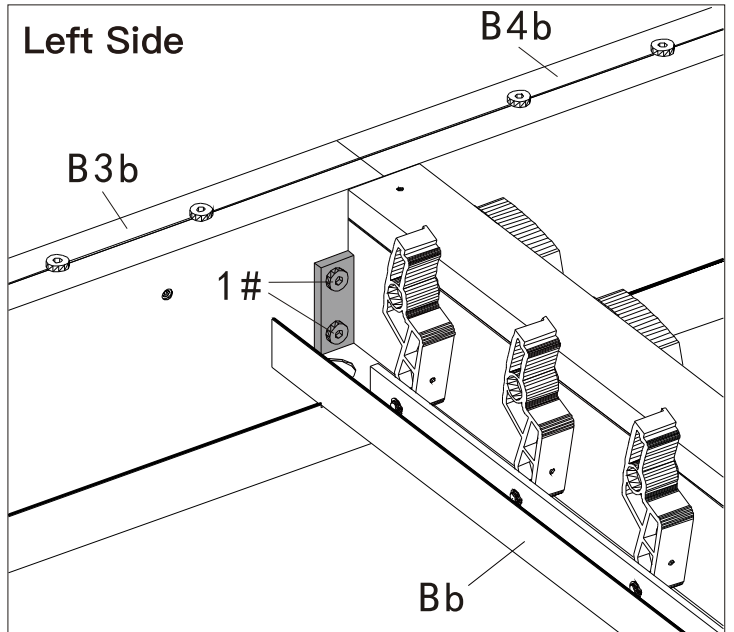
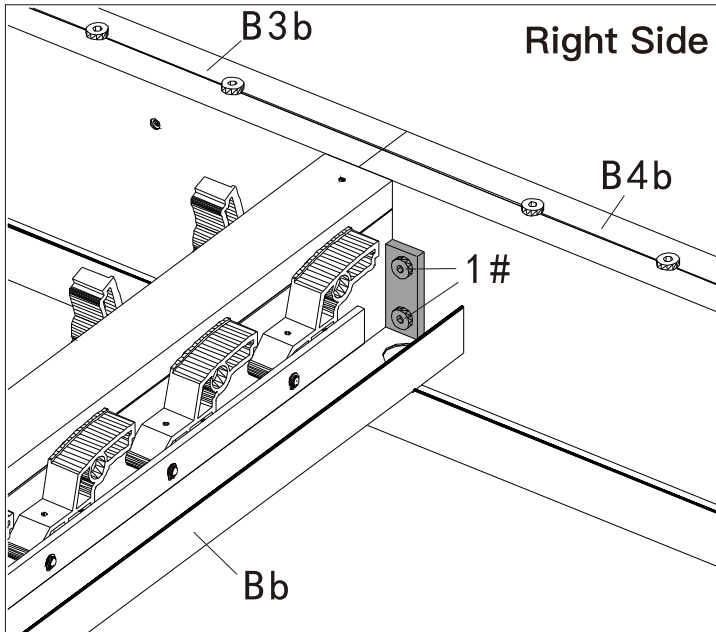
1#  
x8

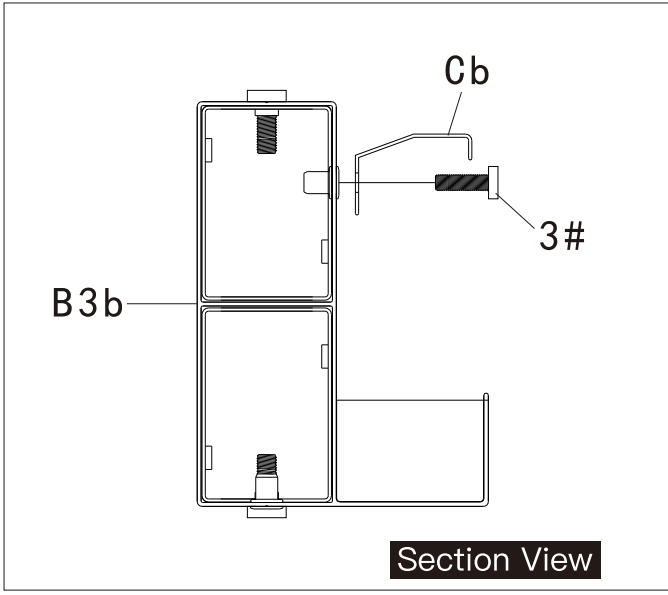
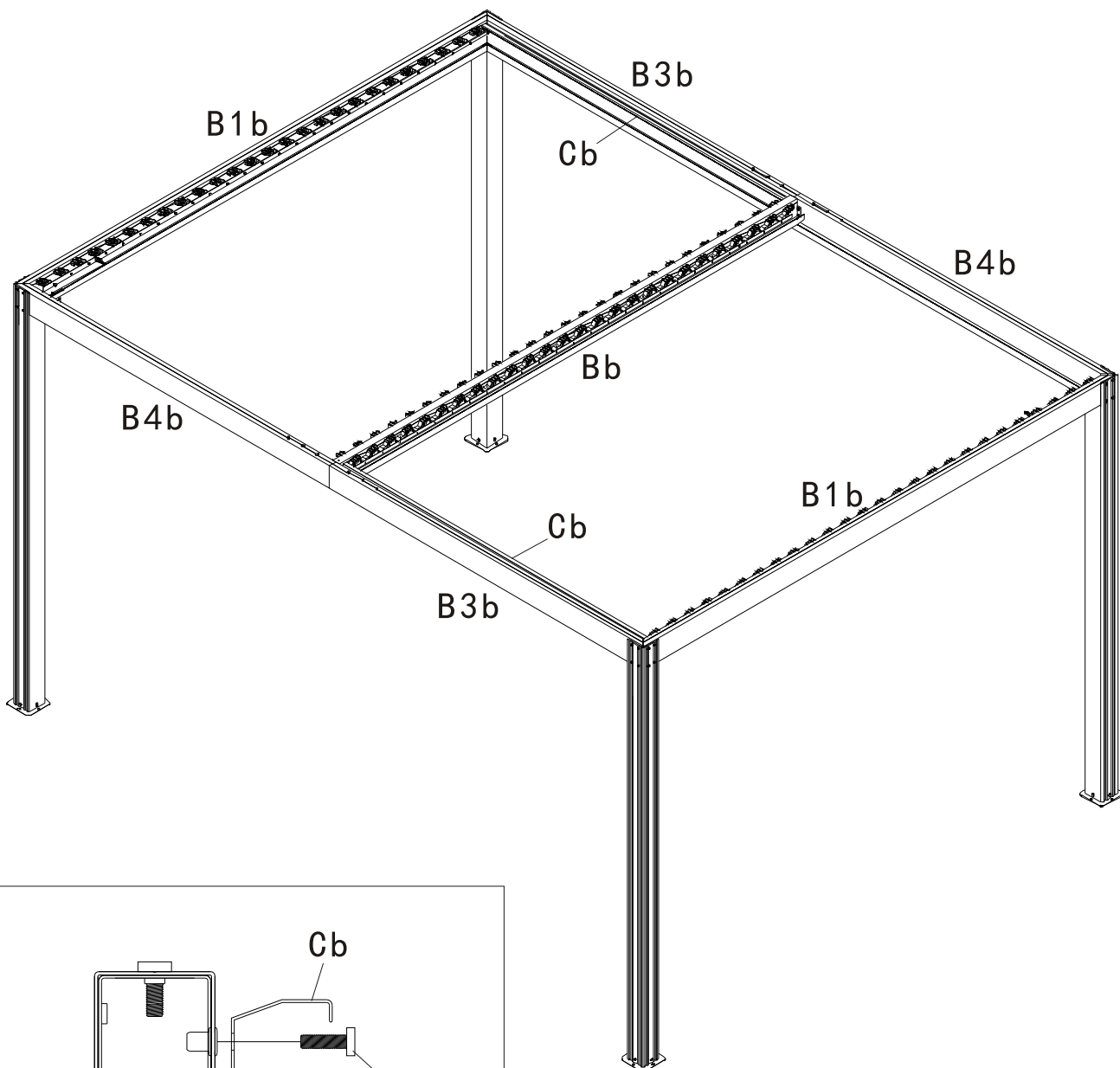
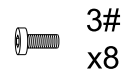
# Install Center Beam



## Step 6:

Place Part #Bb on the middle joint of Part #B3b and Part #B4b with 4 Bolts 1# as shown. Repeat the above procedures to assemble another side.

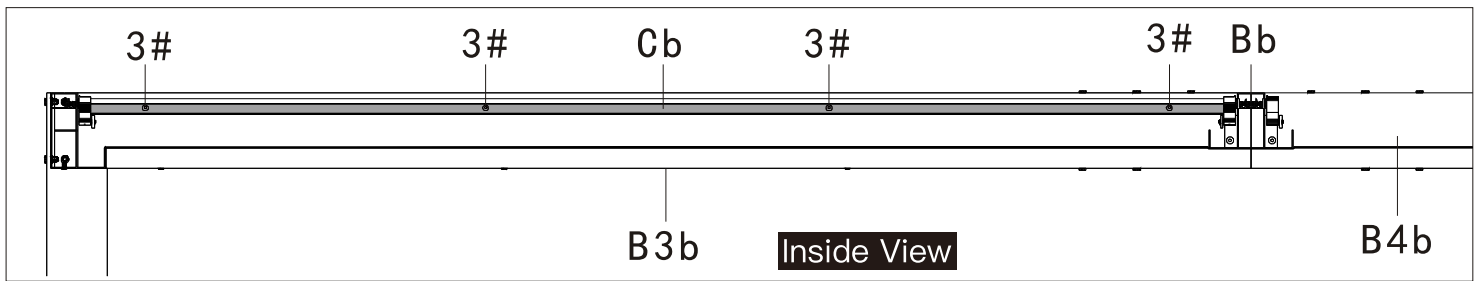


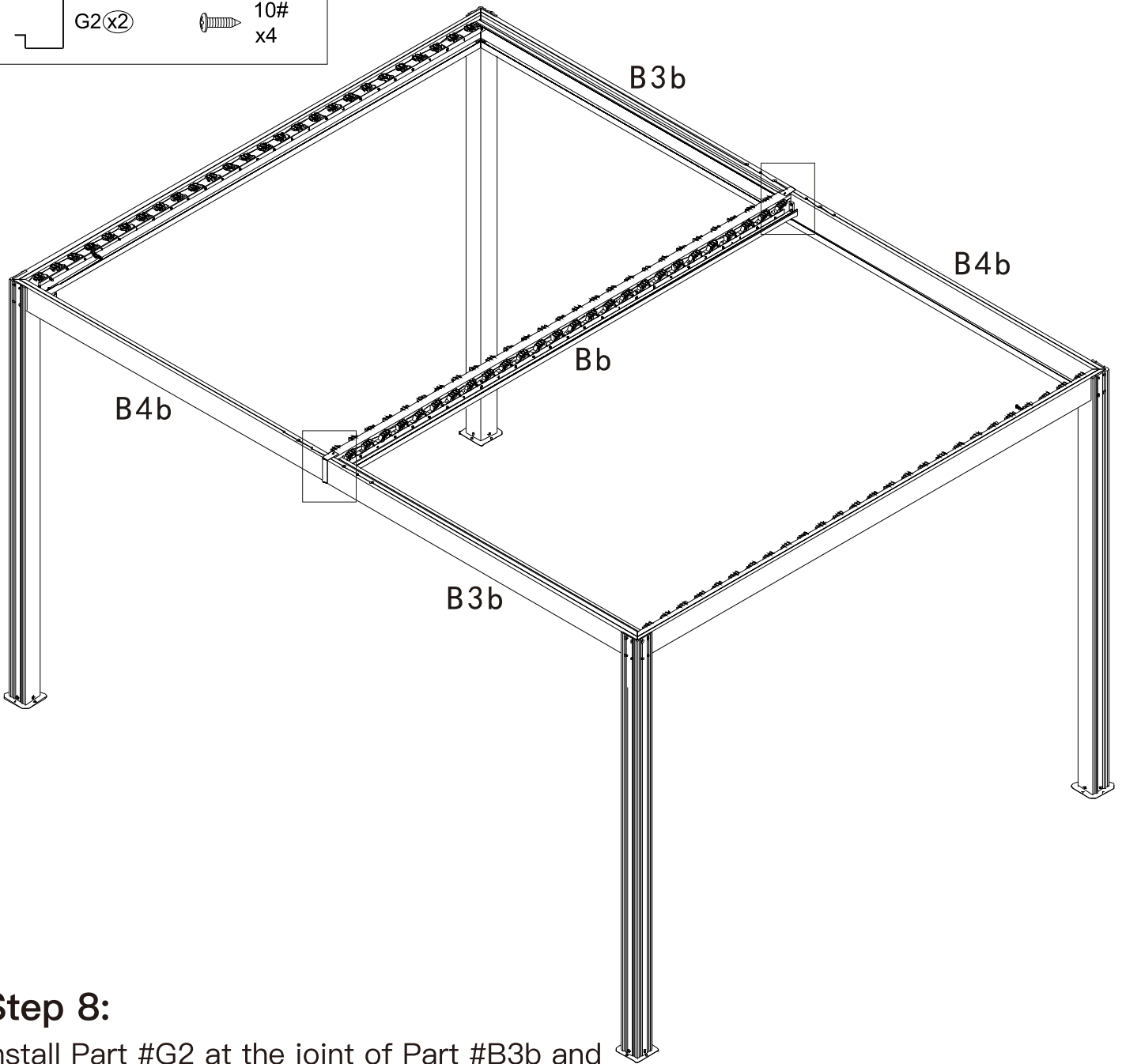
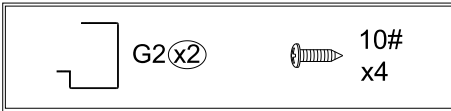


**Step 7:**

Install Part #Cb on the inside of Part #B3b with 4 Bolts 3# as shown.

Repeat the above procedures to assemble another side.

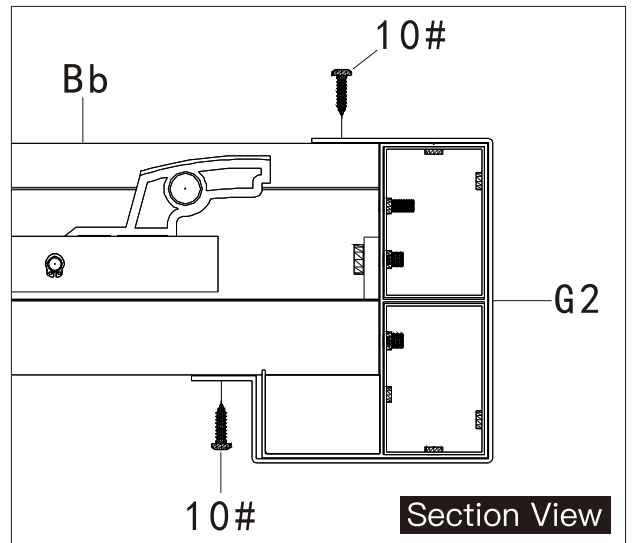
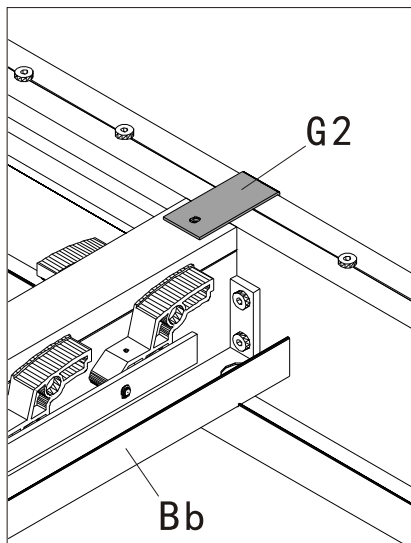
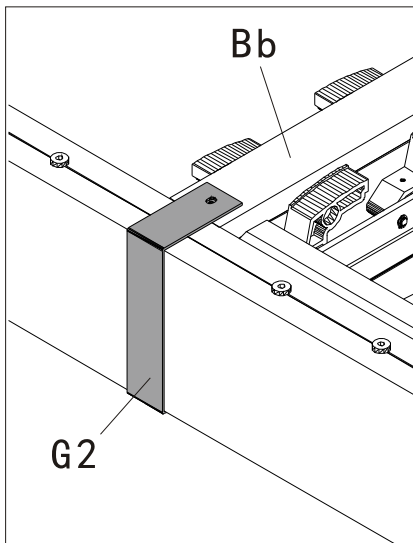




**Step 8:**

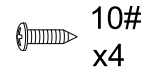
Install Part #G2 at the joint of Part #B3b and Part #B4b with 2 Bolts 10# as shown.

Repeat the above procedures to assemble another side.



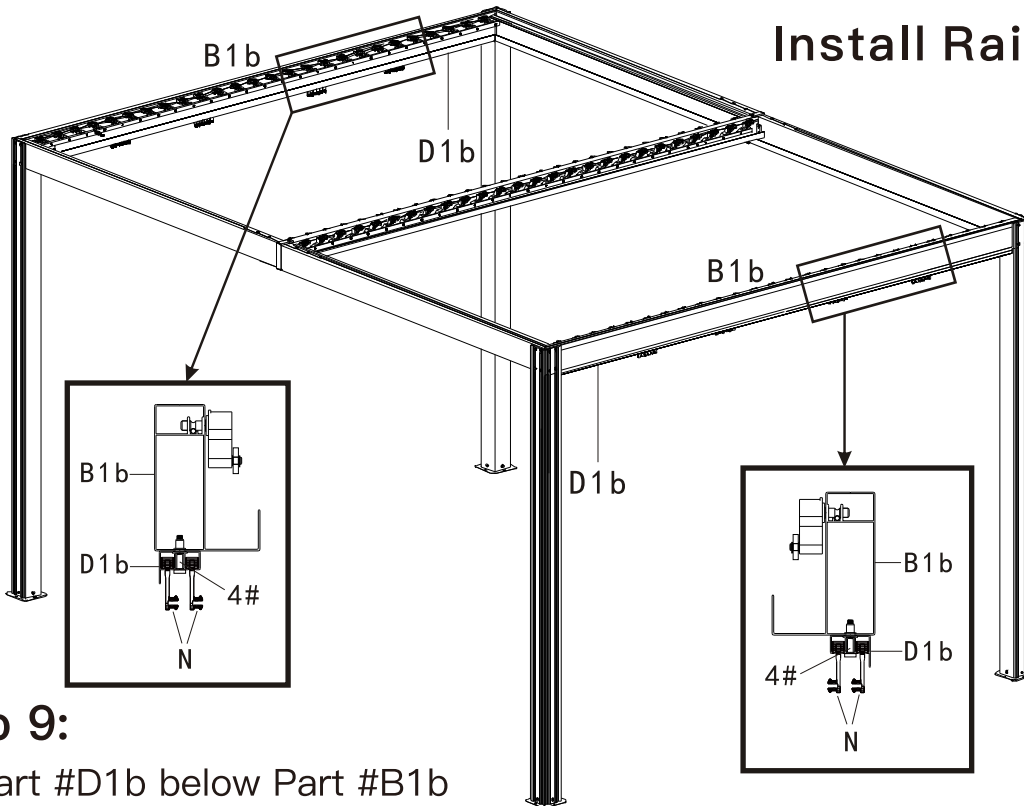


D1b(x2)



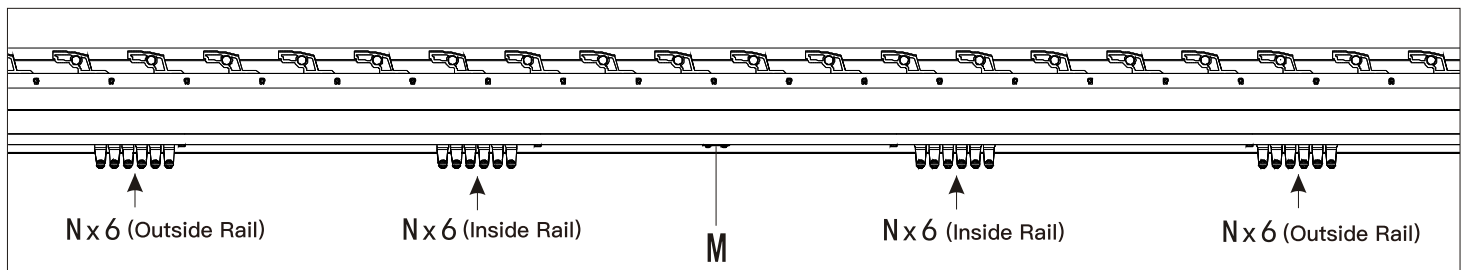
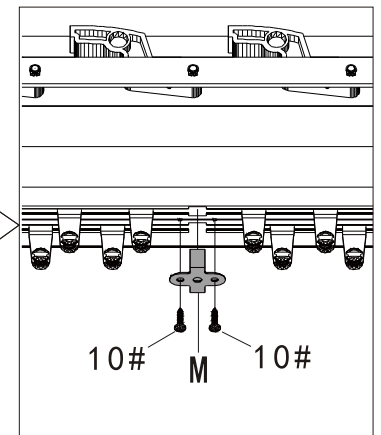
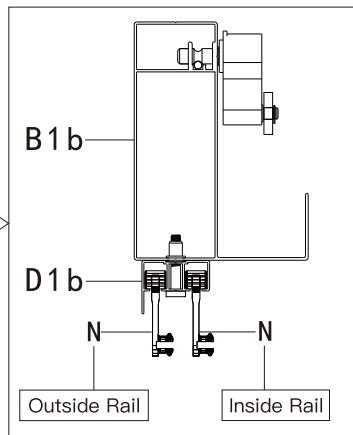
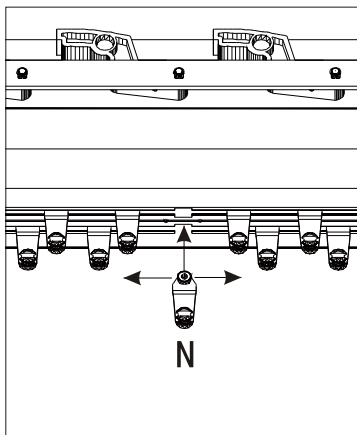
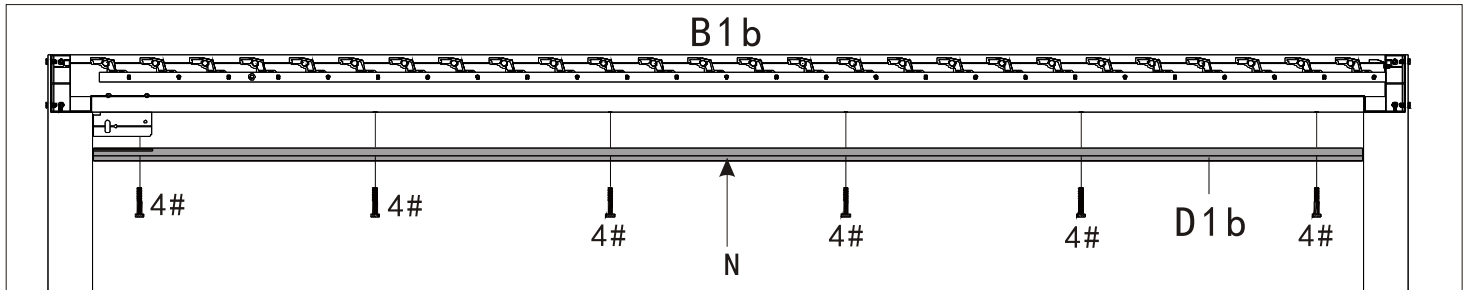
4#  
x12

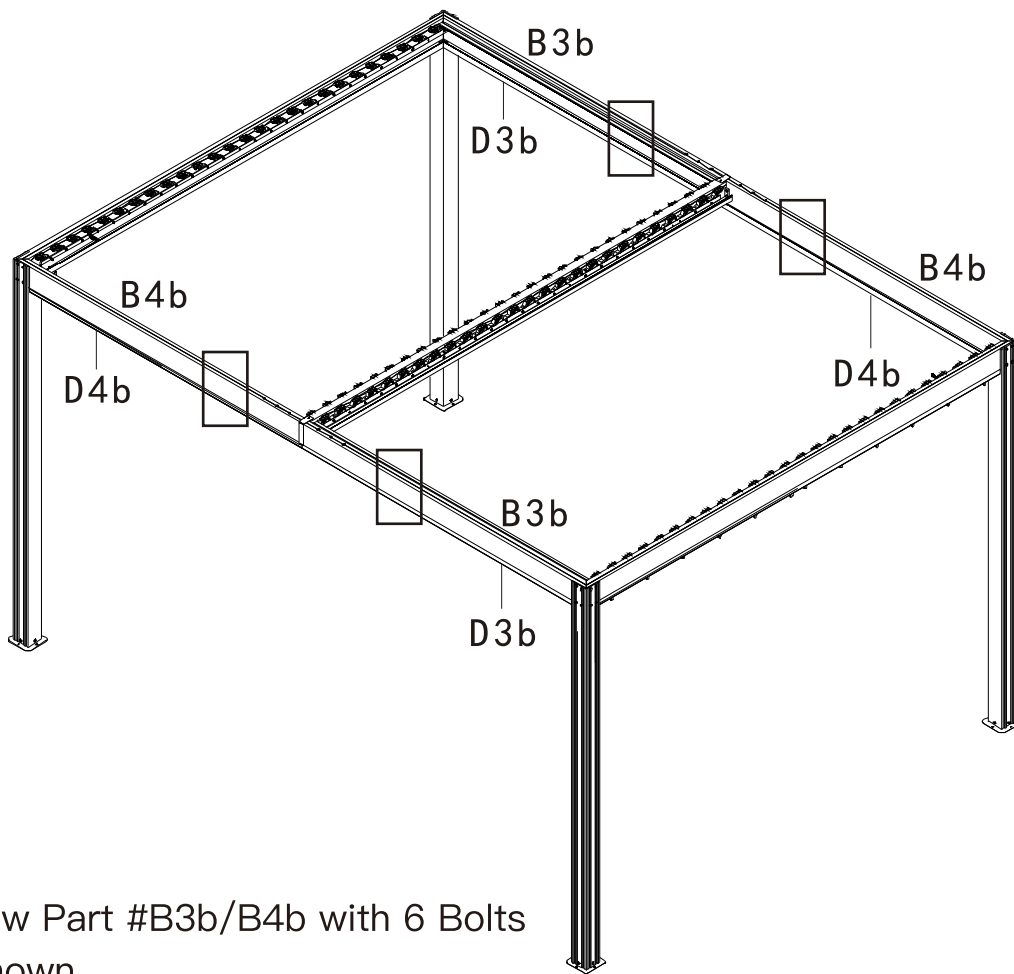
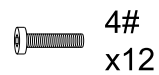
# Install Rails and Hooks



## Step 9:

Fix Part #D1b below Part #B1b with 6 Bolts 4#; Then slide Hooks #N to the inside&outside rail; Finally install Part#M with 2 Bolts 10# to block the entrance as shown. Repeat the above procedures to assemble another side.

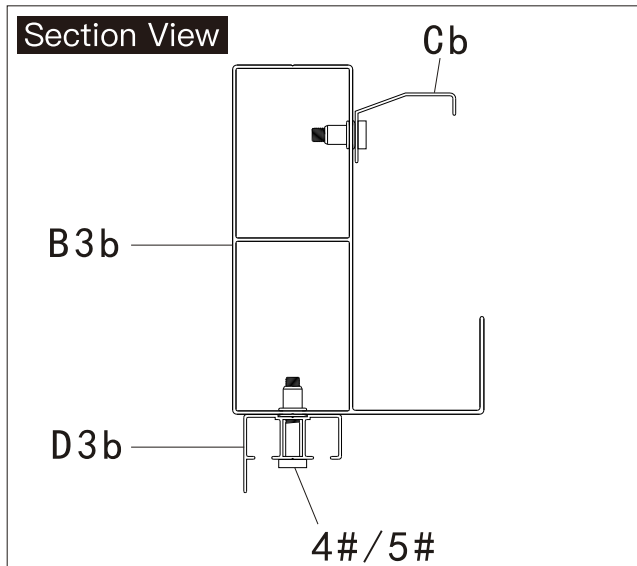
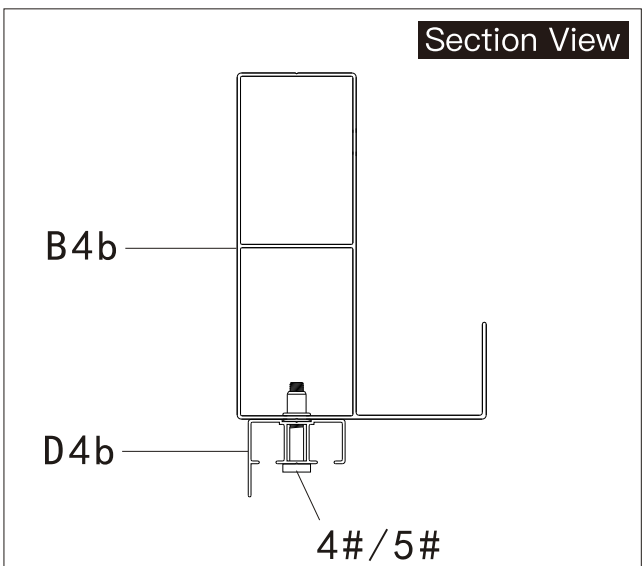
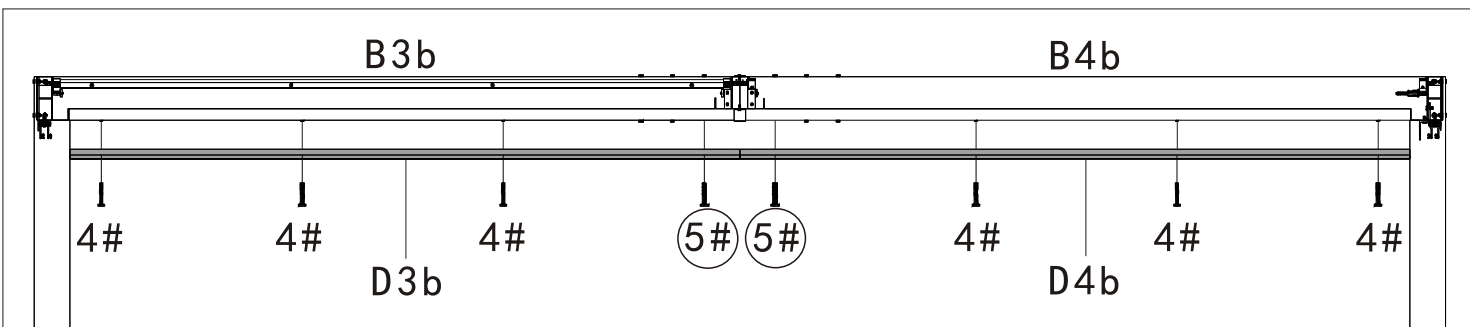


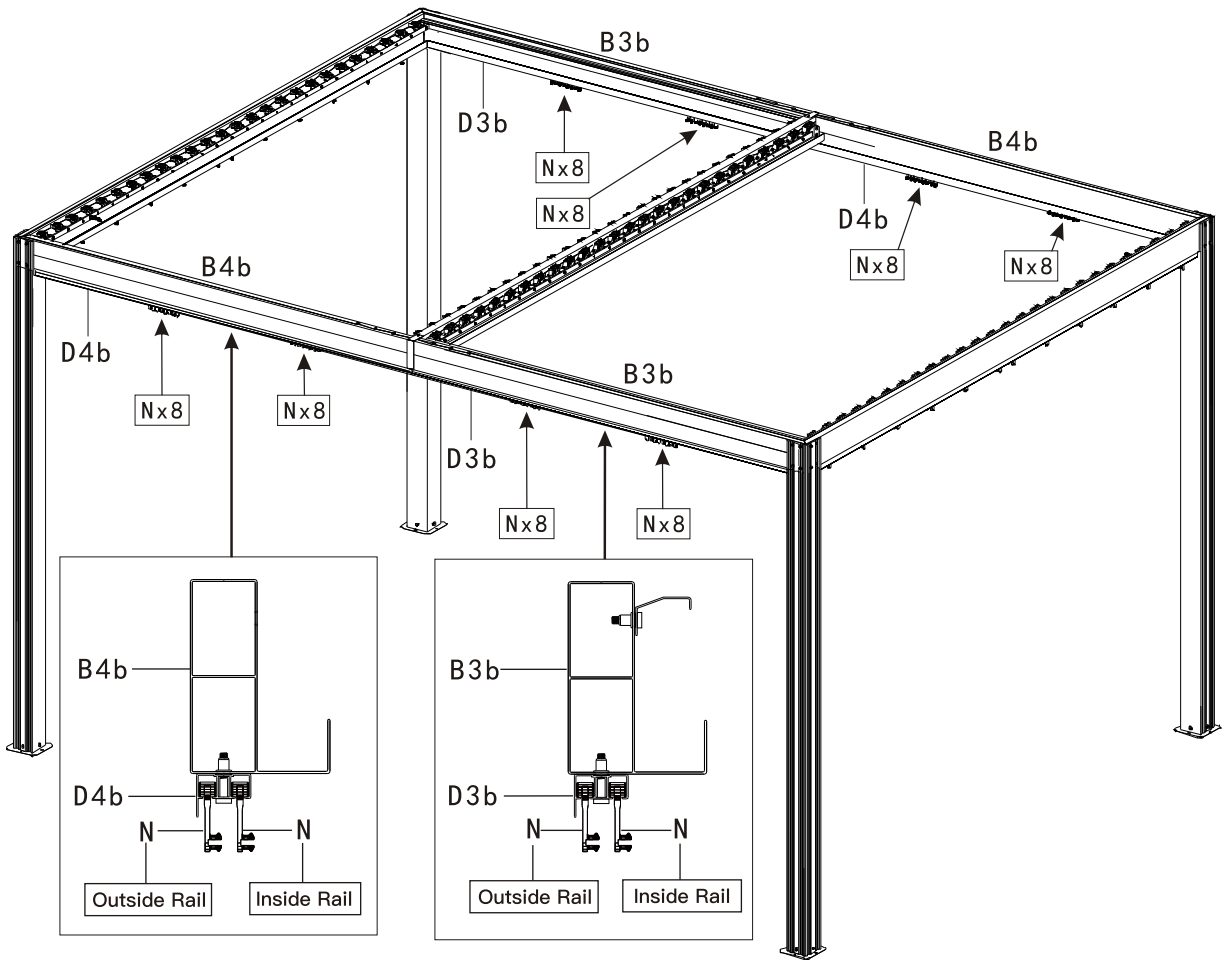
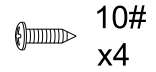


**Step 10:**

Fix Part #D3b/D4b below Part #B3b/B4b with 6 Bolts 4# and 2 Bolts 5# as shown.

Repeat the above procedures to assemble the another side.



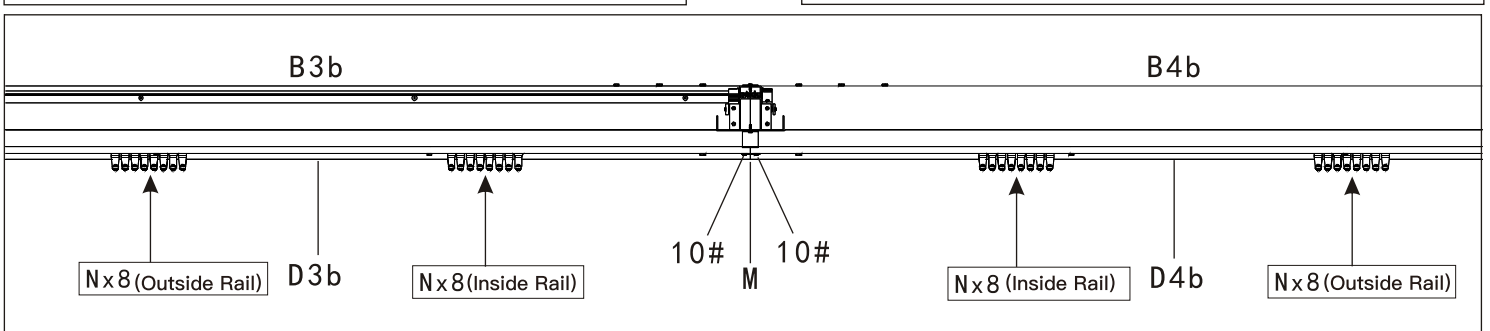
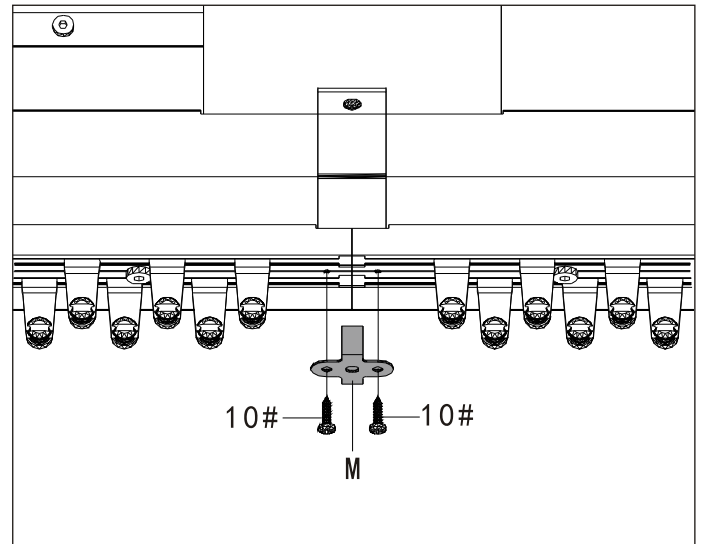
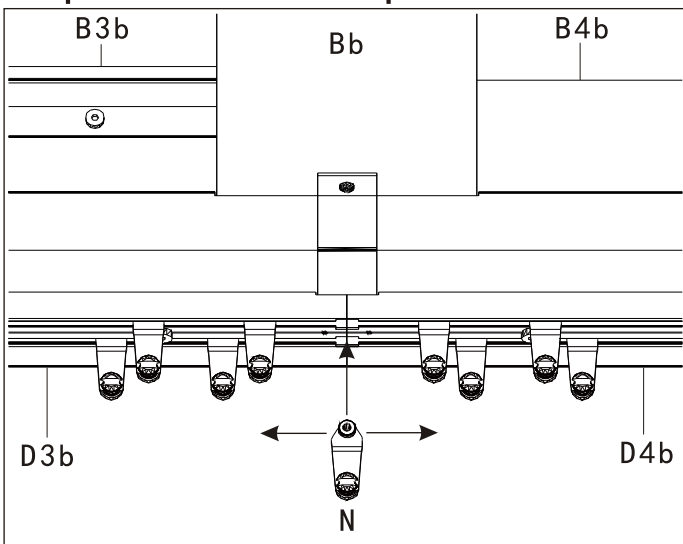


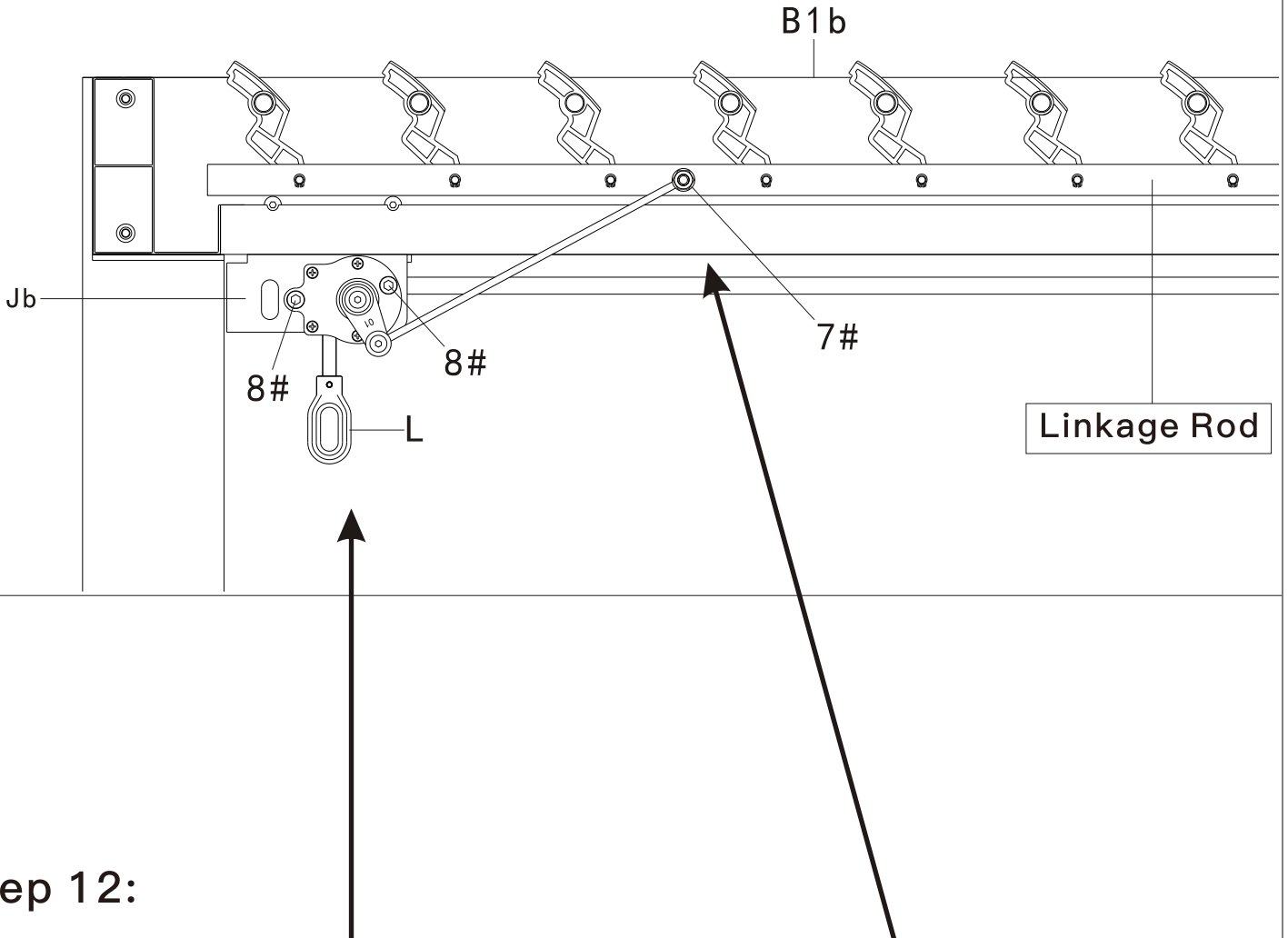
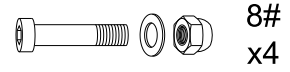
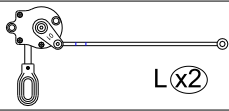
### Step 11:

Then slide Hooks #N to the inside&outside rail;

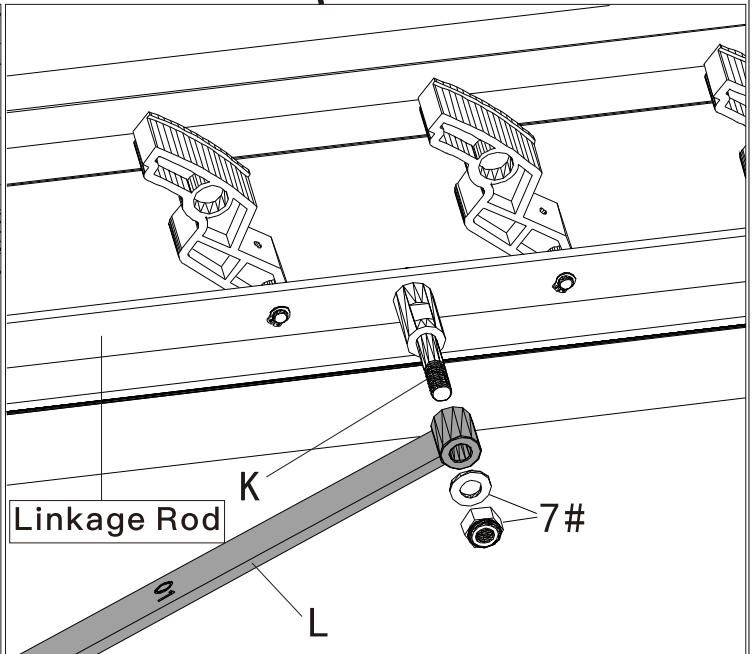
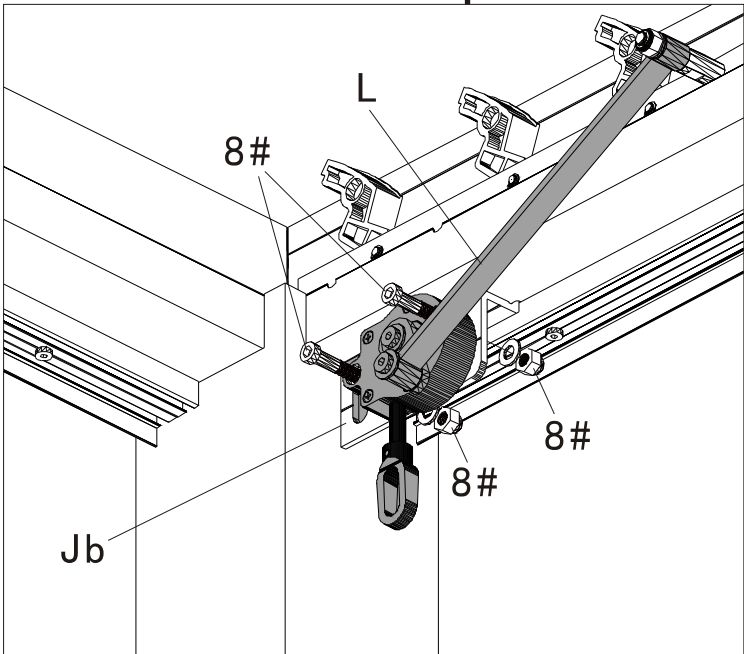
Then install Part#M with 2 Bolts 10# to block the entrance as shown.

Repeat the above procedures to assemble another side.





**Step 12:**



② Fix another part of Part #L on Part #Jb with 2 Bolts 8#, nuts and gaskets.

① Insert the connecting rod end of Part #L into Part #K and secure with 1 Nut 7# and gasket.

**Repeat the above procedures to assemble another side.**



Eb x50

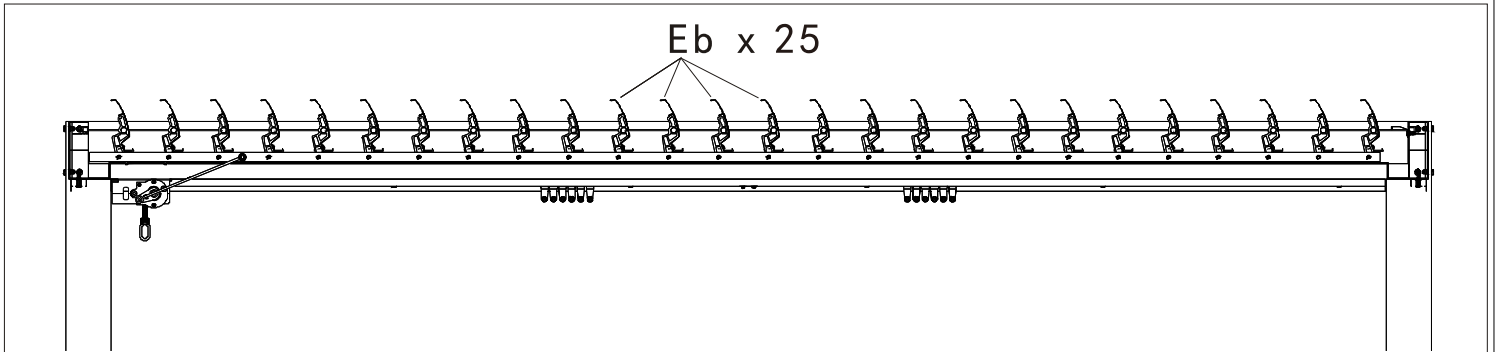
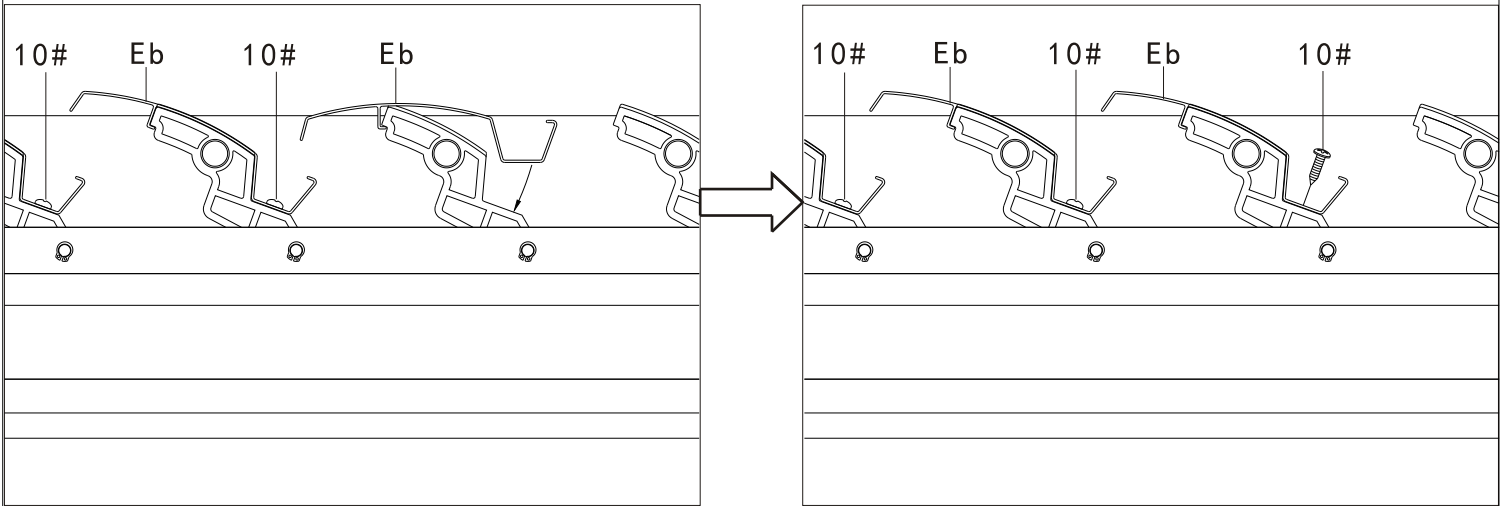


10#  
x100

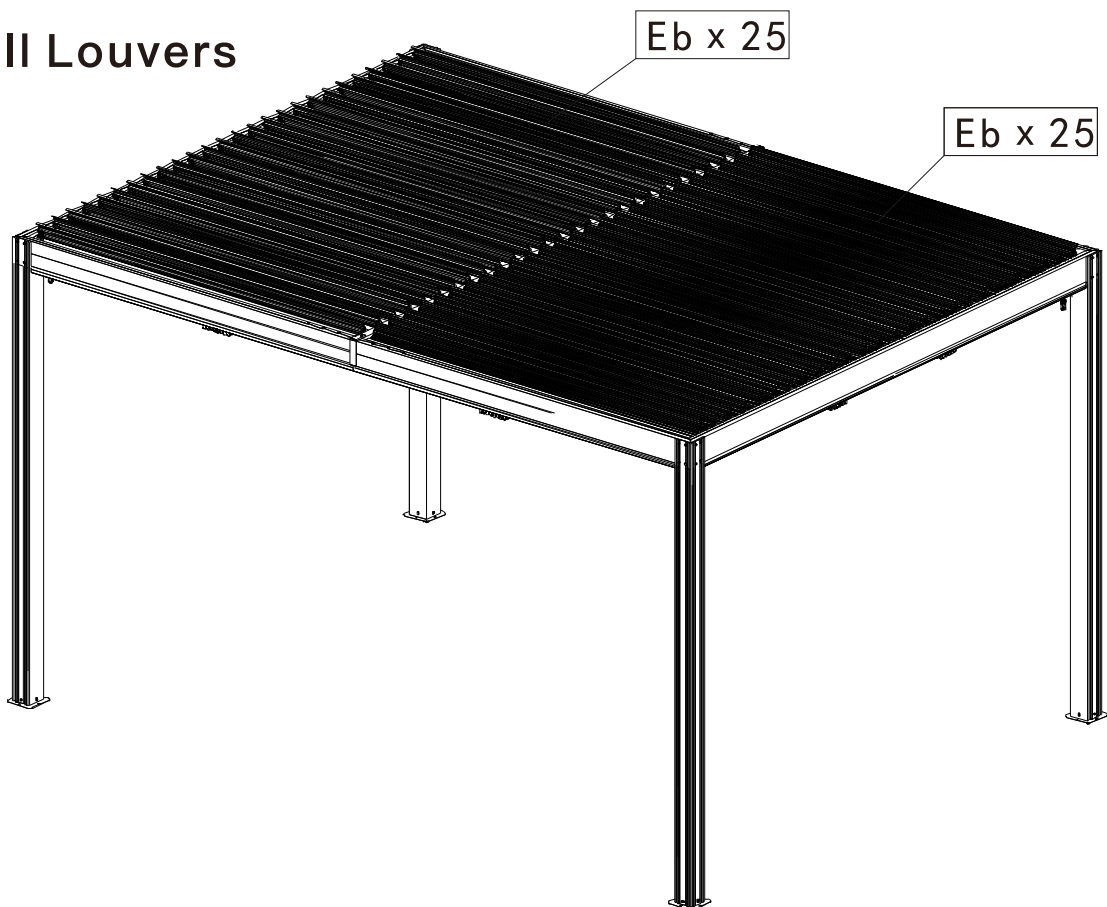
## Step 13:

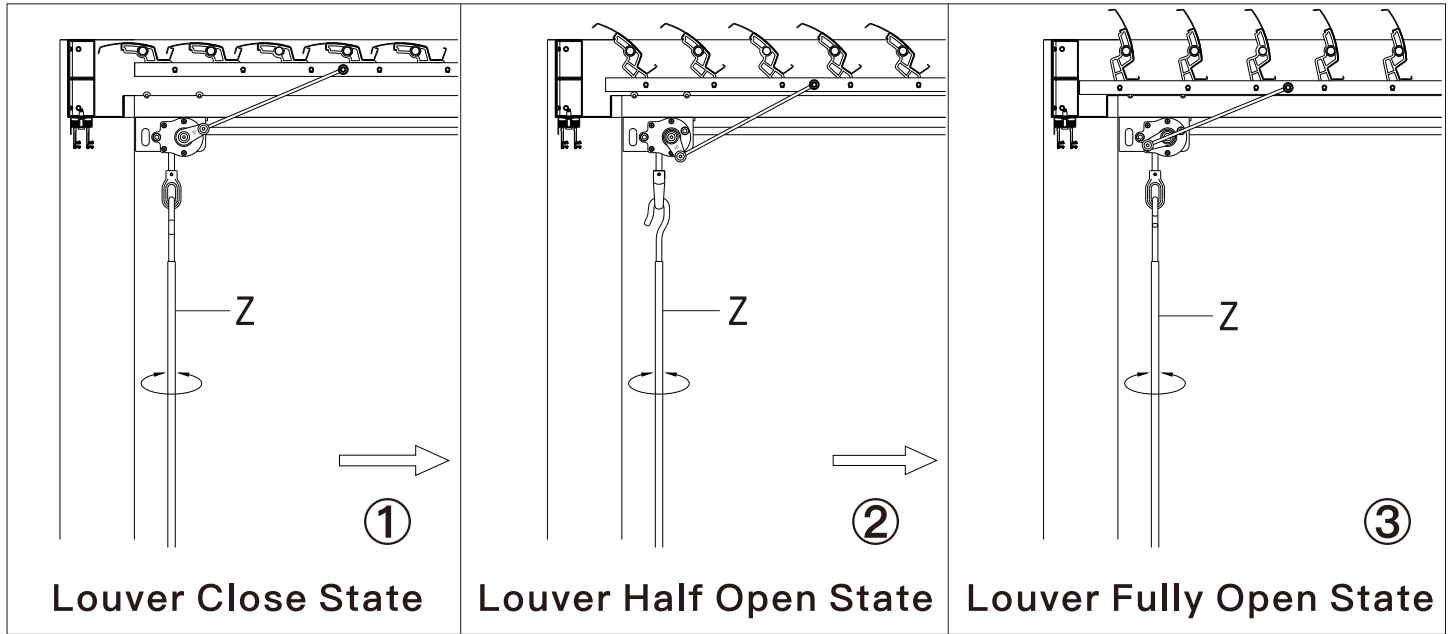
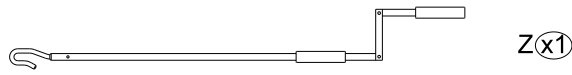
Install Part #Eb with Bolts 10# as shown.

※ If moderate to heavy snow is forecast, pls open the louvers to avoid snow accumulating.



## Install Louvers

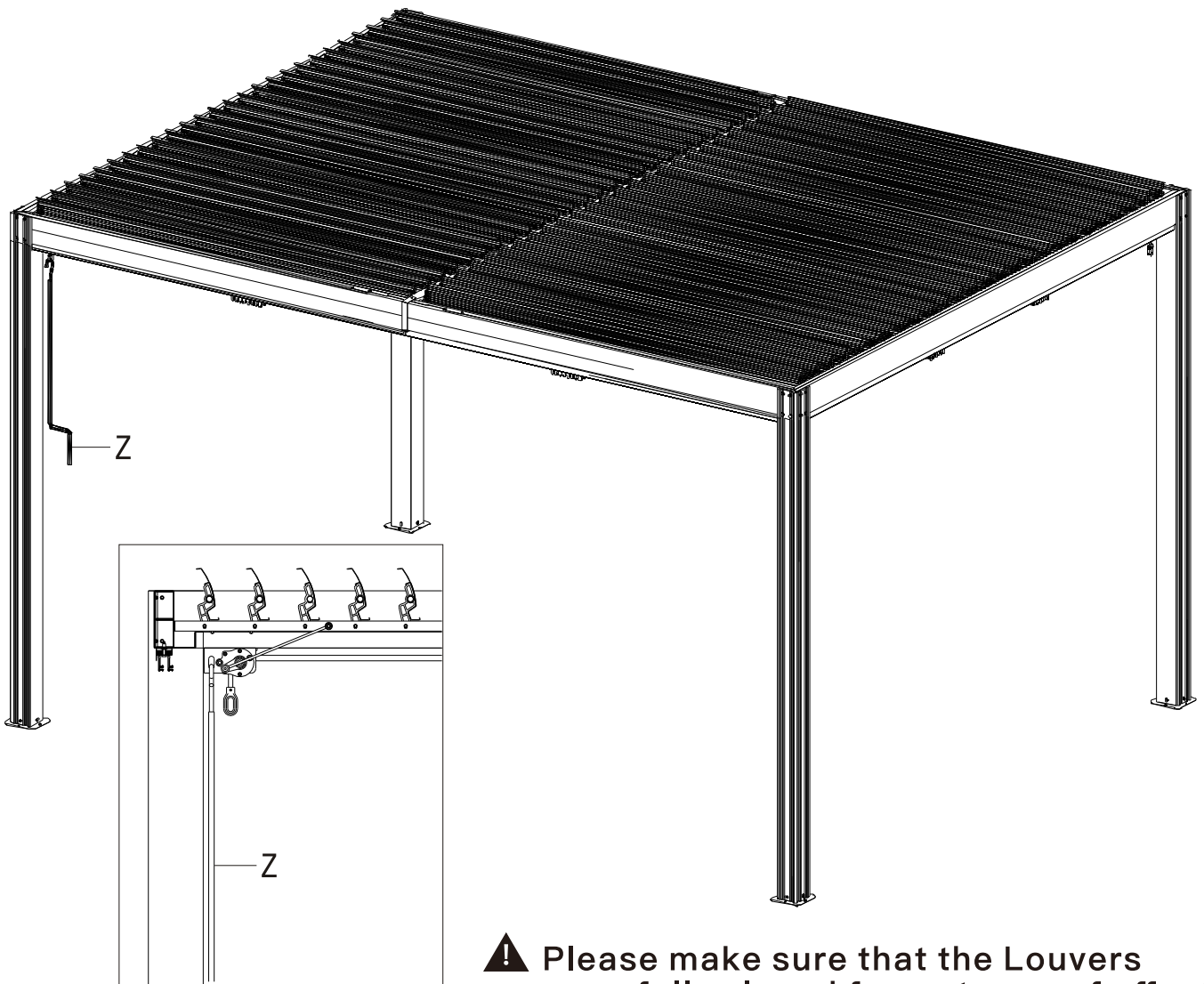




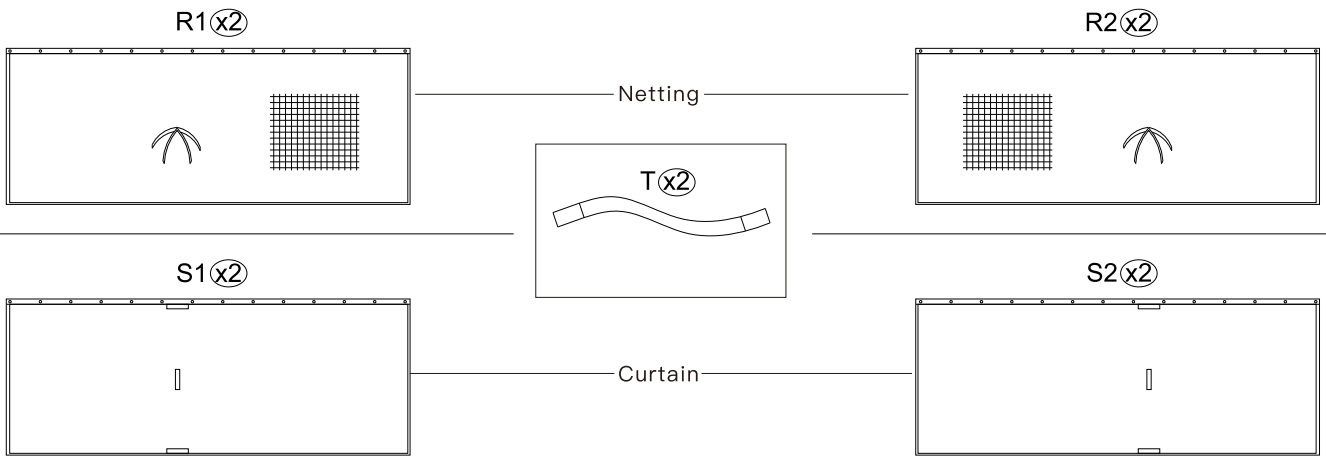
### Step 14:

Just shake the roller rod anytime you want let the sun in or block the sunray.

**▲ (ATTENTION: Louvers can be opened and closed in cycles.)**

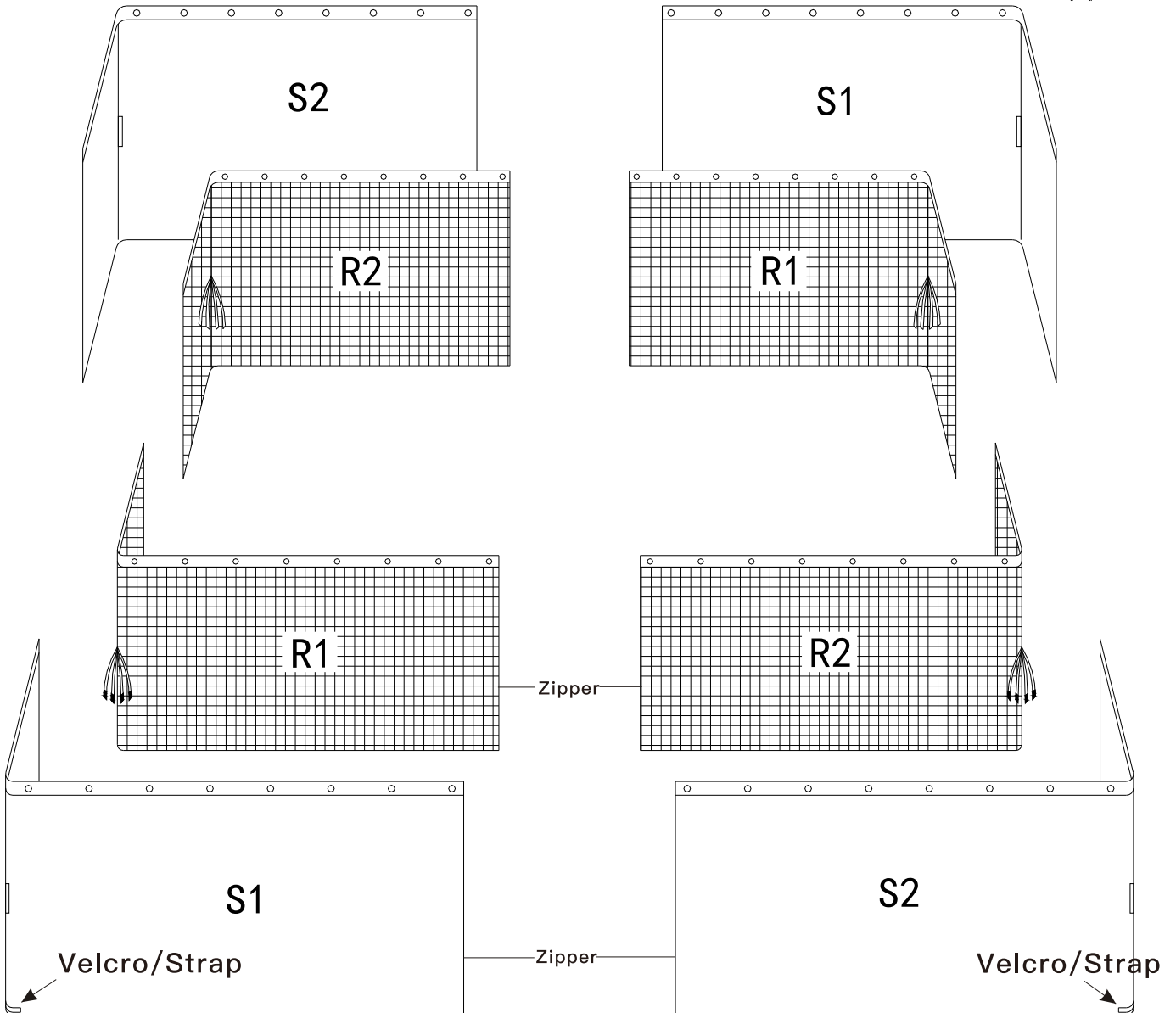
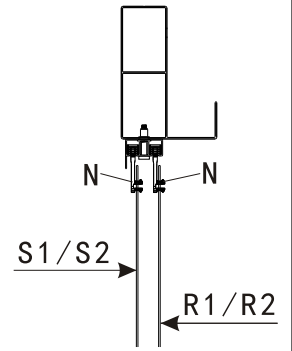


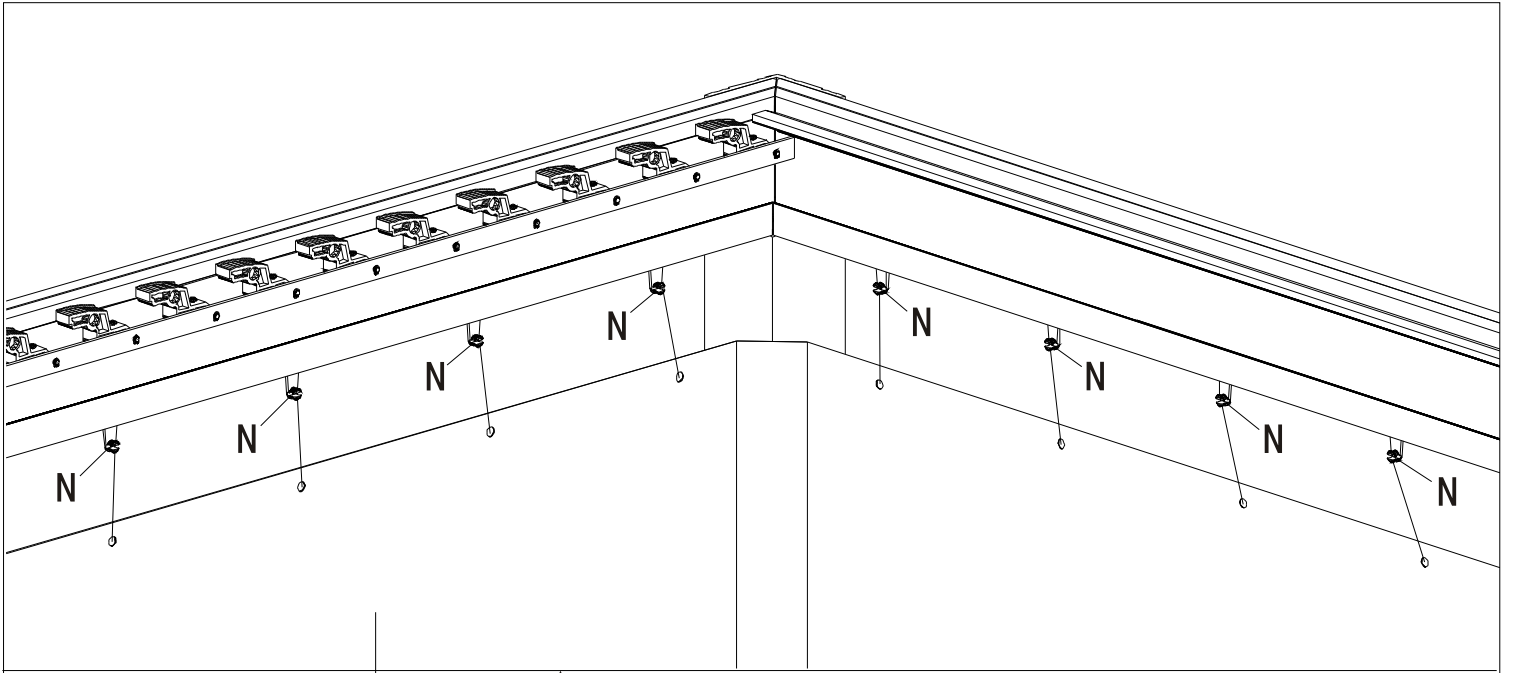
**▲ Please make sure that the Louvers were fully closed for waterproof effect.**



### Step 15:

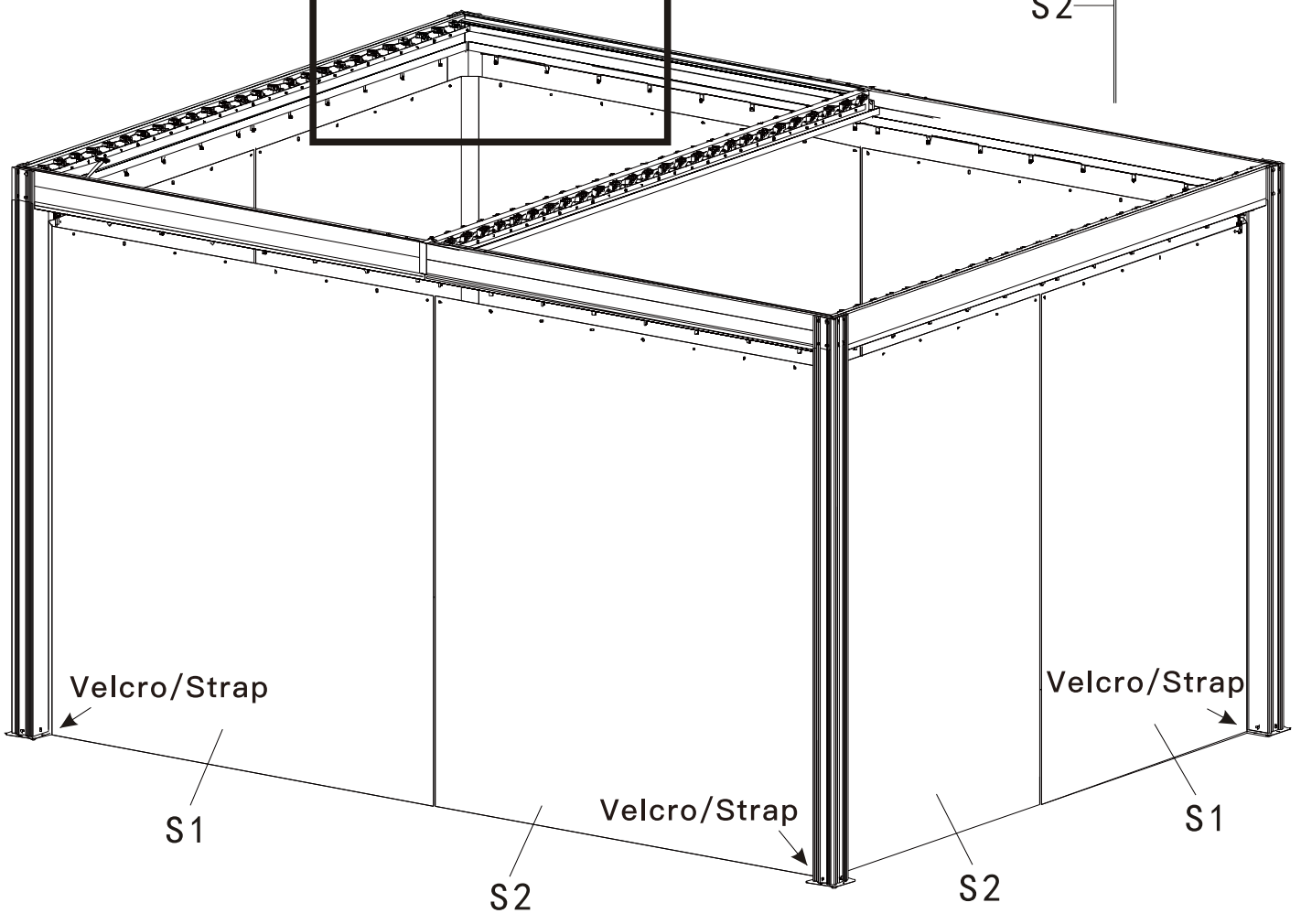
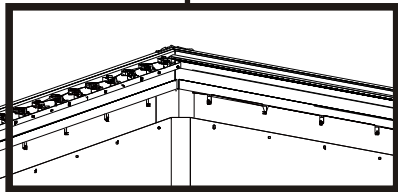
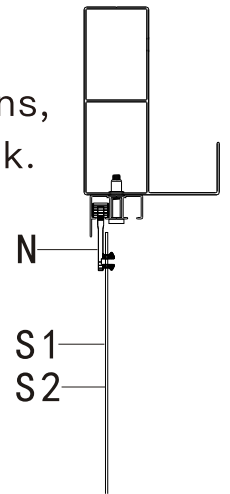
Install Part S1, S2 and R1, R2 as shown.

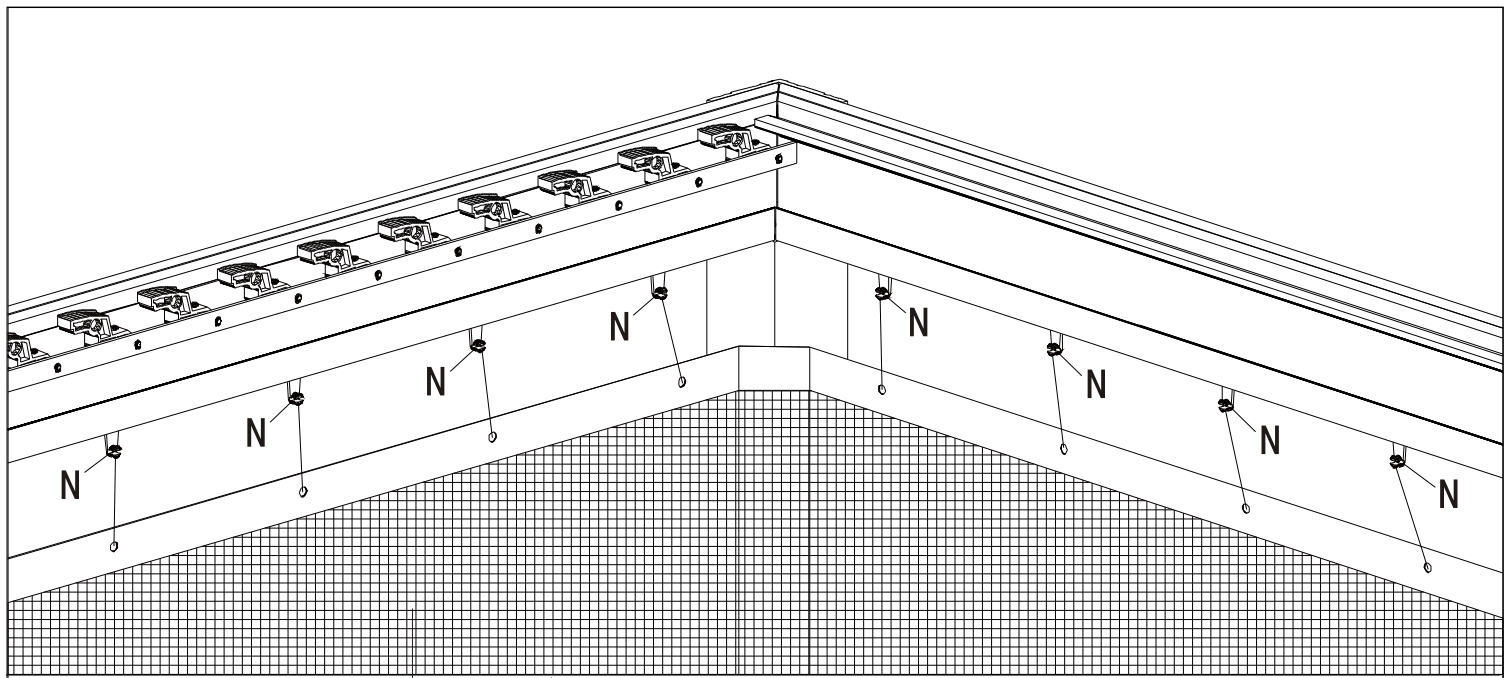




S2

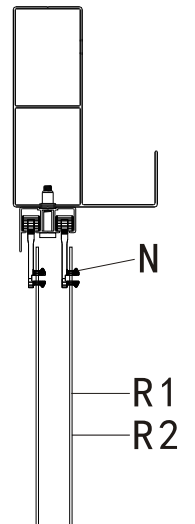
Pictures below indicate the number of holes on the curtains, each hole is match to one hook.



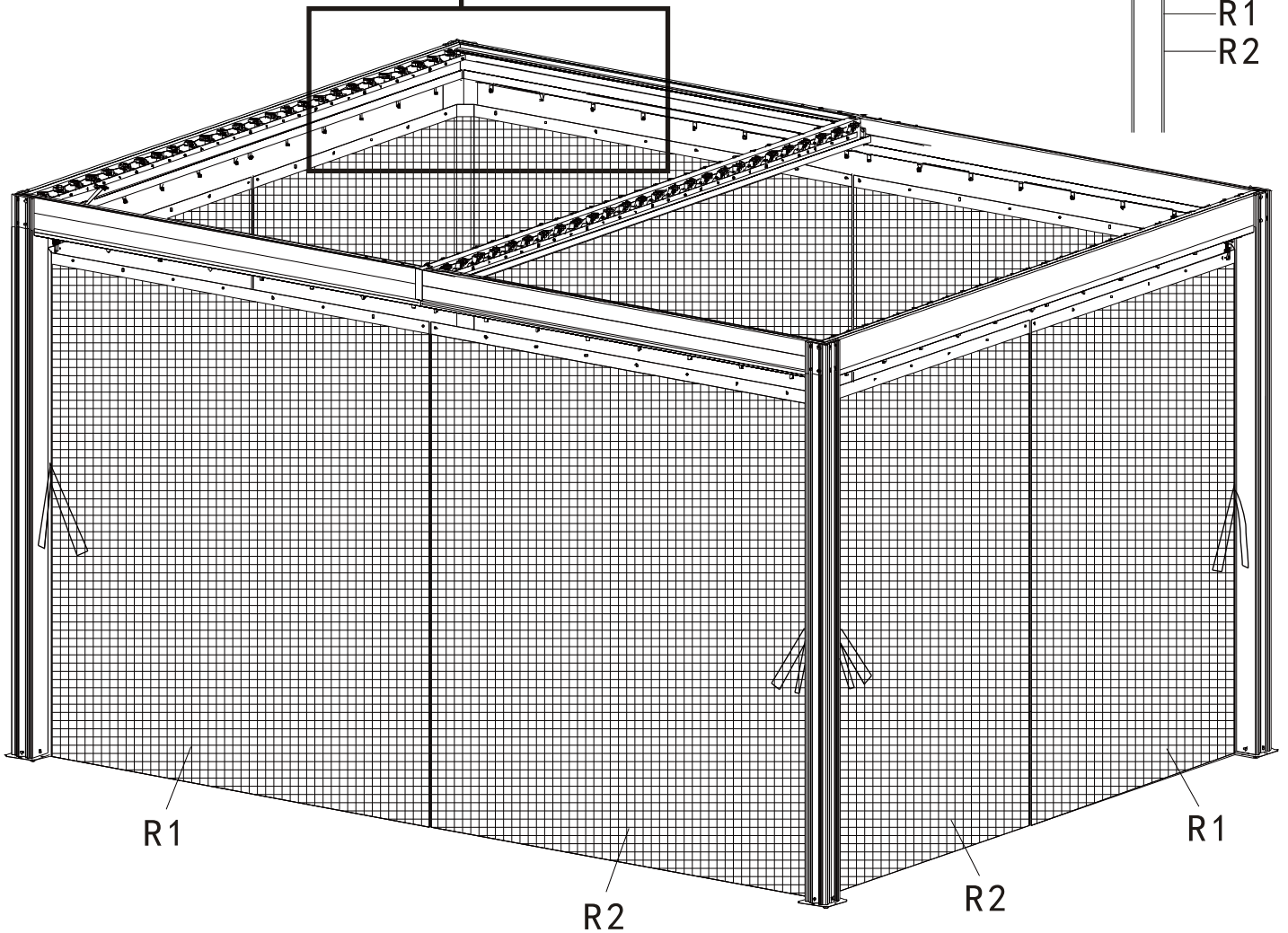


R2

Pictures below indicate the number of holes on the netting, each hole is match to one hook.



R1  
R2

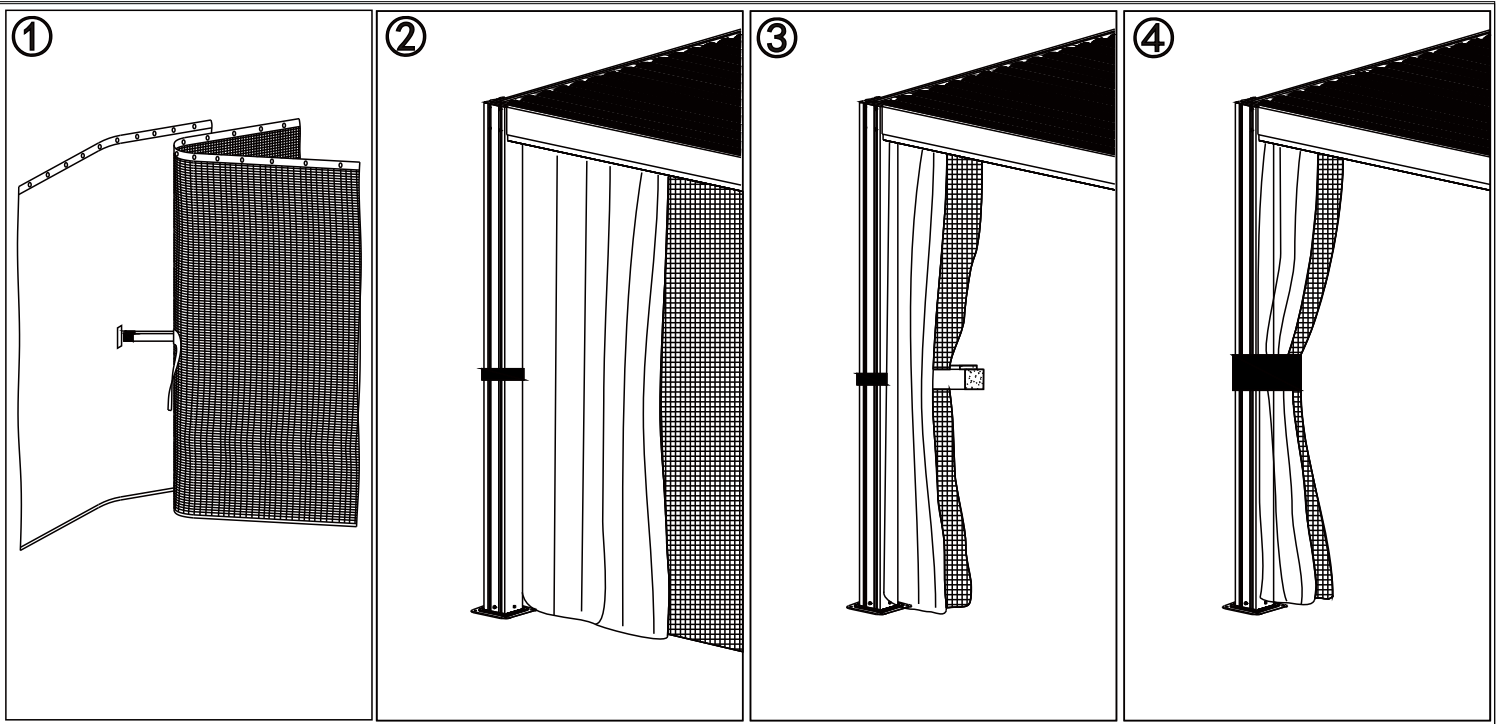


R1

R2

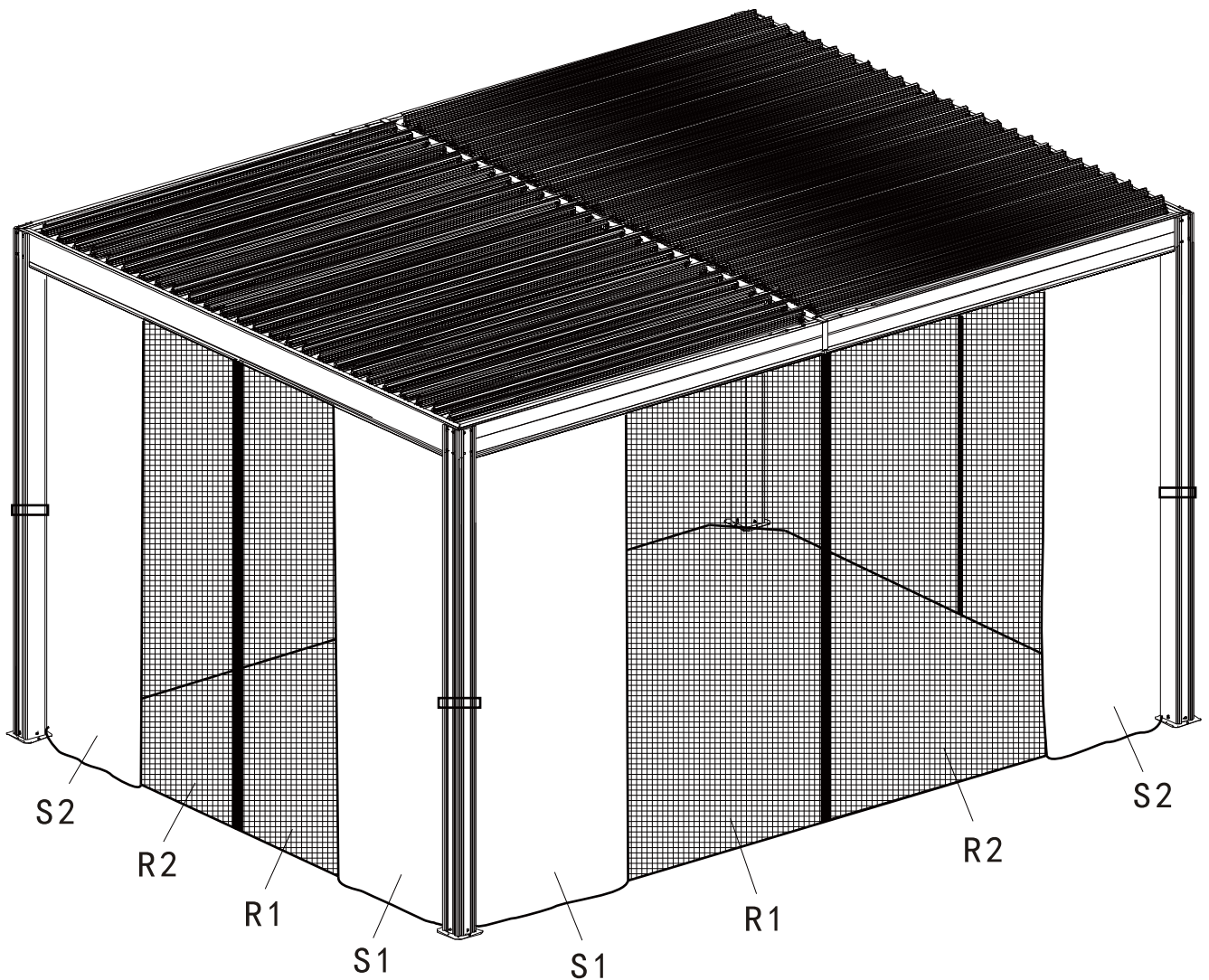
R2

R1



The small netted straps on the netting are needed to cross the hole on the curtains, then tie the small netted strap on each post. Finally tie the big strap on each post.

**※ If the wind and rain is too heavy, please close the curtains and netting.**





## Thanks for your purchase.

At domi outdoor living, we believe in our products.

That's why we provide a 12-month warranty and friendly, easy-to-reach after-sales service. So, if you have any questions about our product or assembly, please feel free to contact us. We are here for you.

**Support:**  

**After-sales contact email:**

[service@domioutdoorliving.com](mailto:service@domioutdoorliving.com)

**Business cooperation contact email:**

[marketing@domioutdoorliving.com](mailto:marketing@domioutdoorliving.com)

Please have your order ID available if you reach out for support.

If you have damaged parts or product, please send us photos for an immediate response.