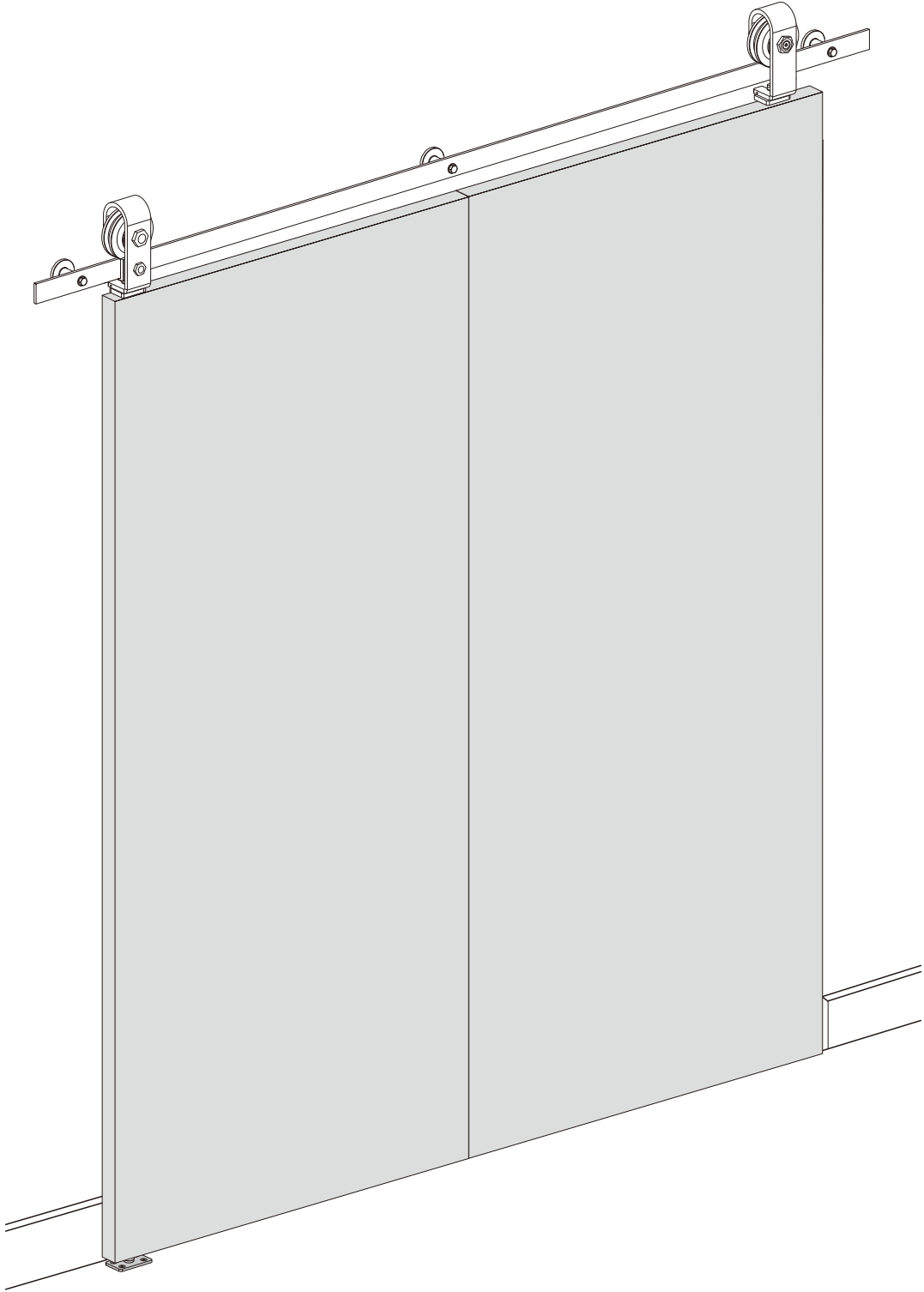


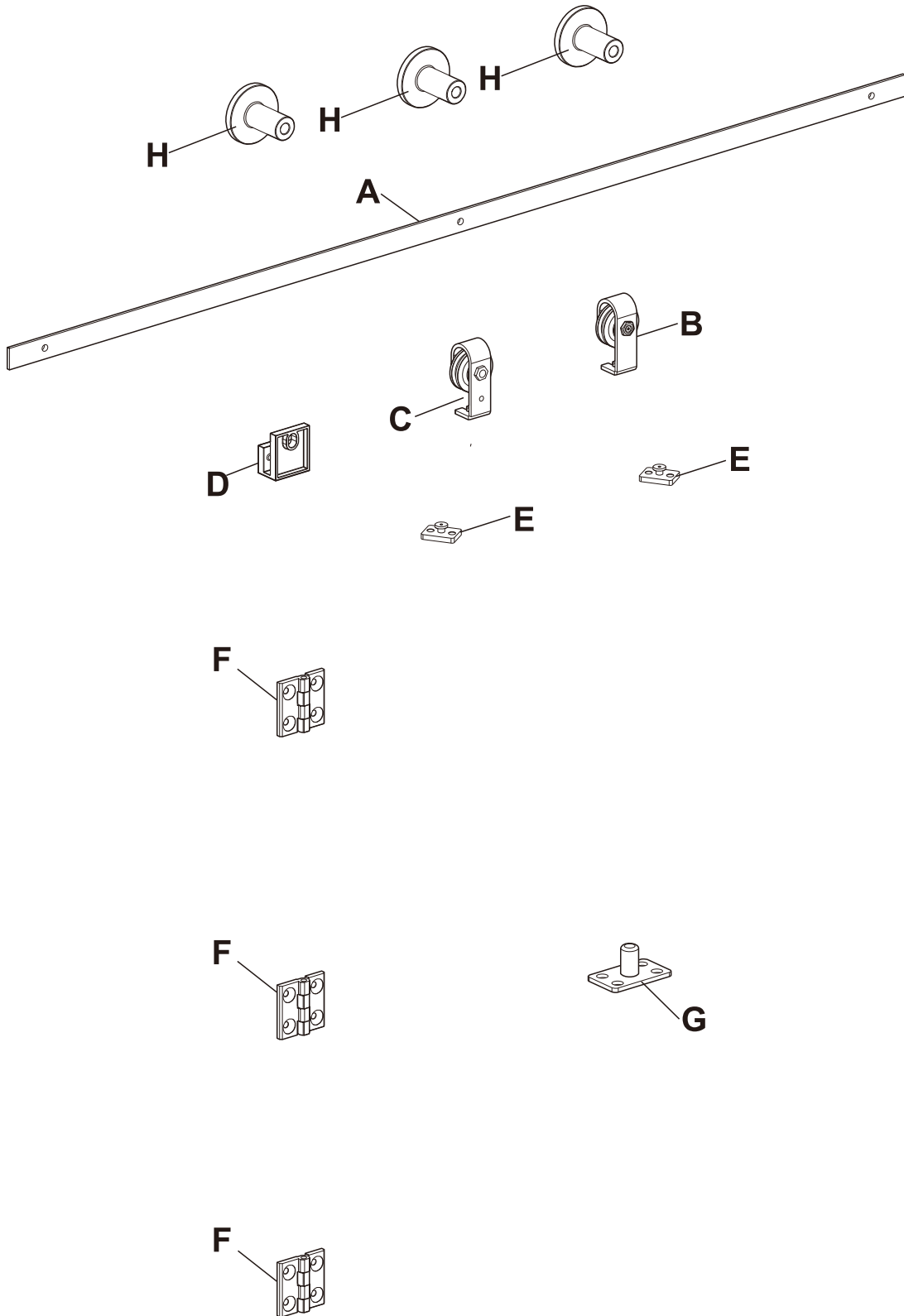


# Installation Manual

---

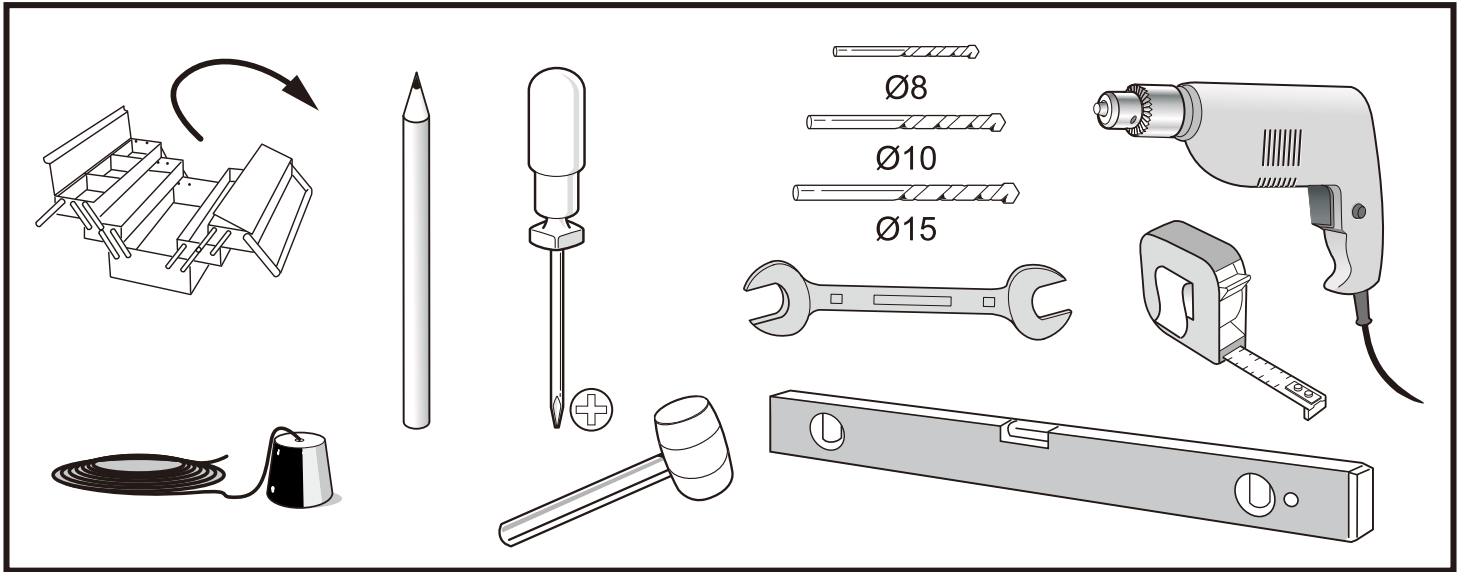


# Components list




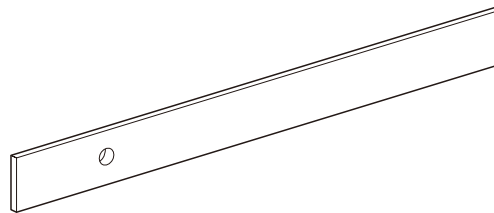



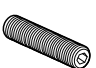
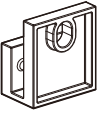


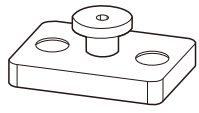
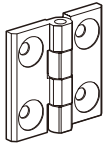


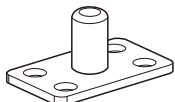



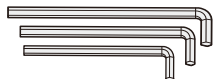


# Pre-installation

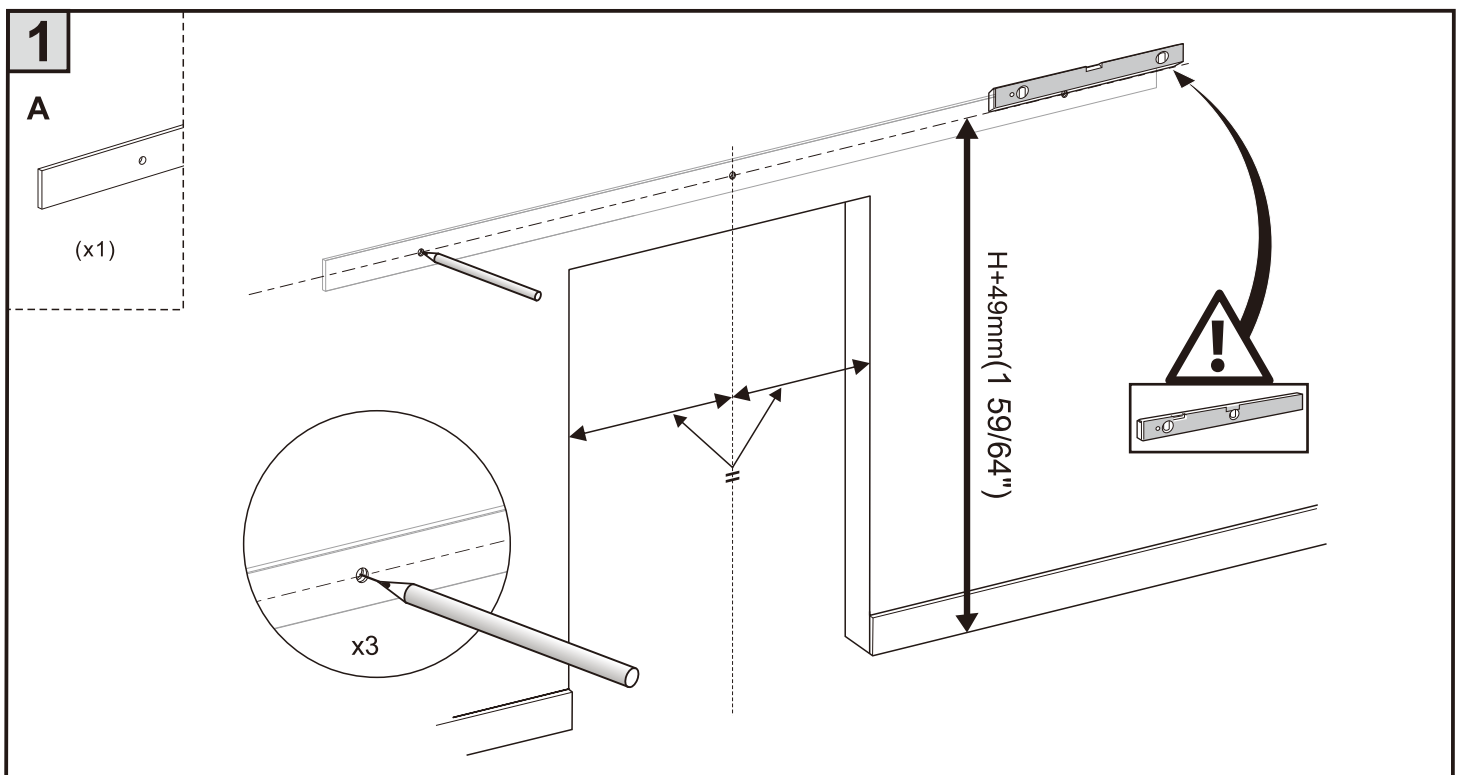
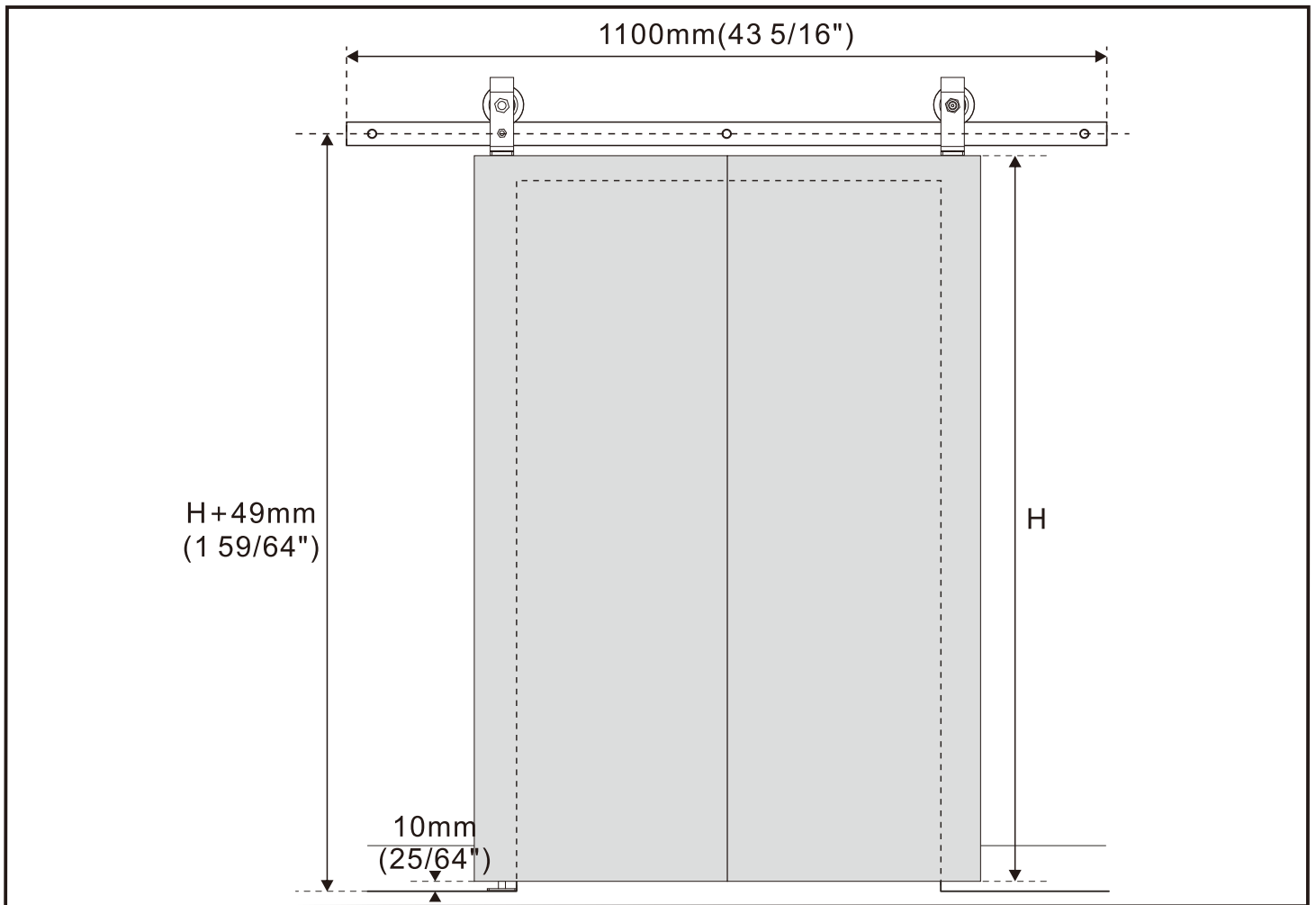
## TOOLS REQUIRED



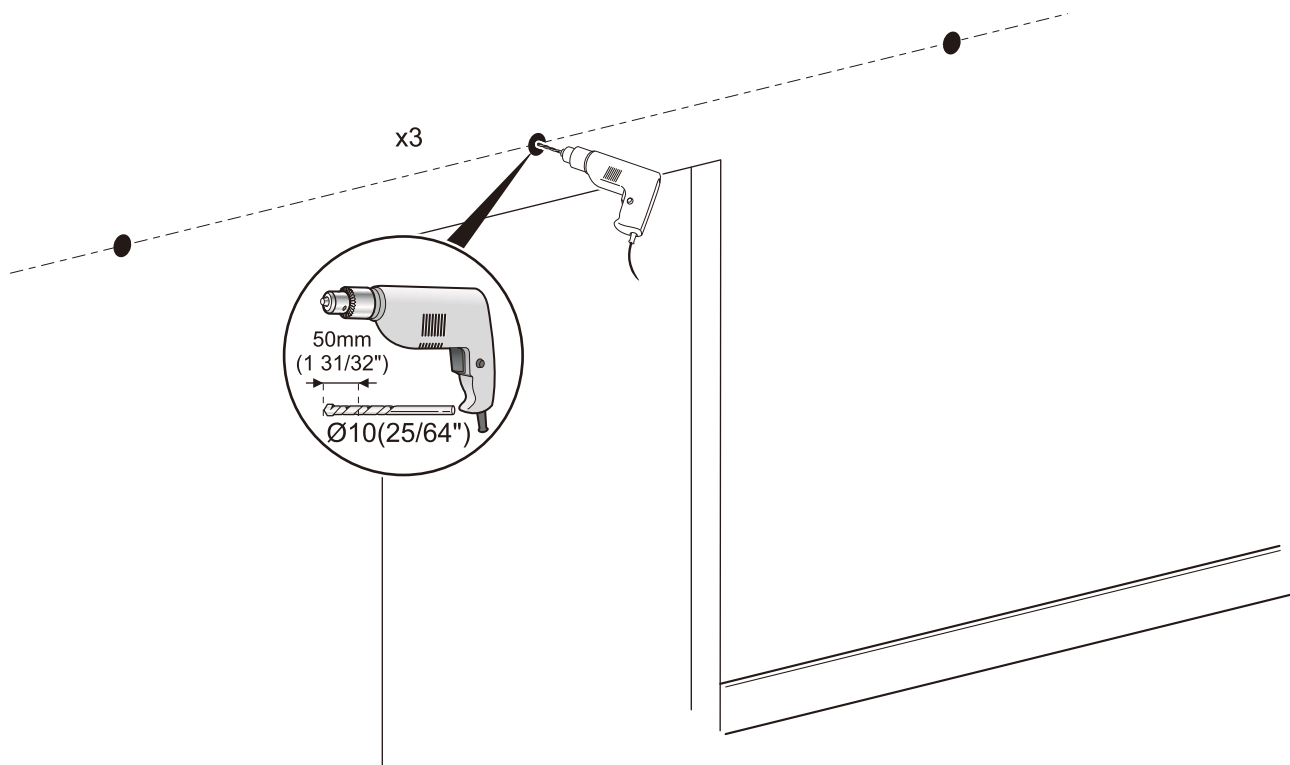
## HARDWARE INCLUDED

<p><b>A</b></p>  <p>(x3)</p>  <p>Ø10X48 (x3)</p>  <p>M8x90 (x3)</p>	 <p>(x1)</p>	<p><b>B</b></p>  <p>(x1)</p>	<p><b>C</b></p>  <p>(x1)</p>  <p>(x1)</p>  <p>M5x26 (x1)</p>
<p><b>D</b></p>  <p>(x1)</p>  <p>M5x6 (x2)</p>	<p><b>E</b></p>  <p>ST4.8X50 (x4)</p>  <p>(x2)</p>	<p><b>F</b></p>  <p>(x3)</p>  <p>ST6X25 (x12)</p>	
<p><b>G</b></p>  <p>(x1)</p>  <p>(x1)</p>  <p>Ø8X35 (x4)</p>  <p>ST4.2X32 (x4)</p>	<p><b>H</b></p>  <p>(x3)</p>	<p><b>I</b></p> 	

# Installation



2



3

A



(x3)



Ø10X48 (x3)

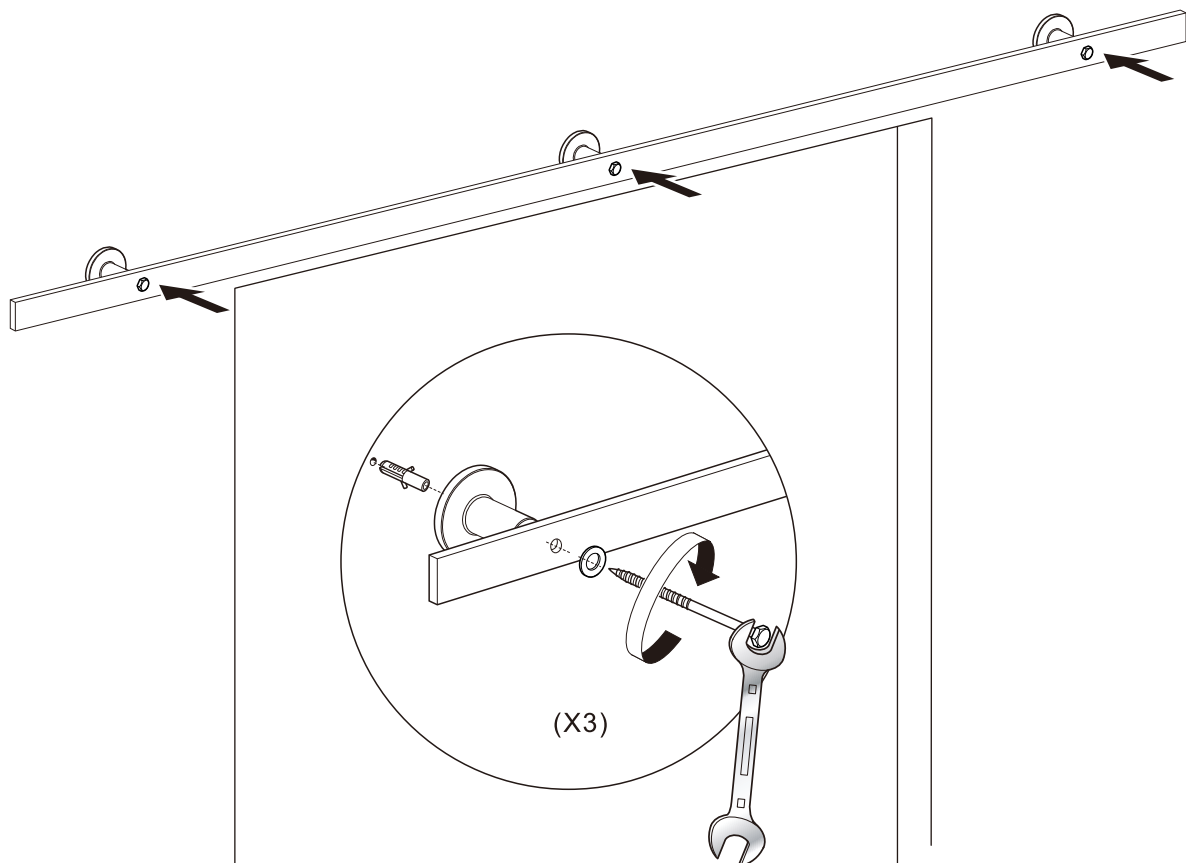


M8x90 (x3)

H

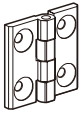


(x3)



**4**

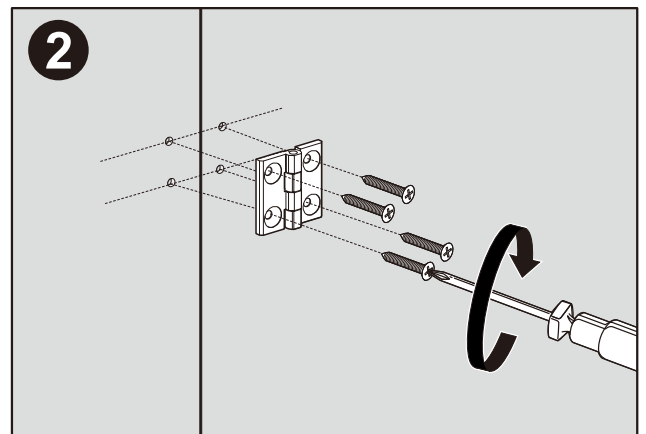
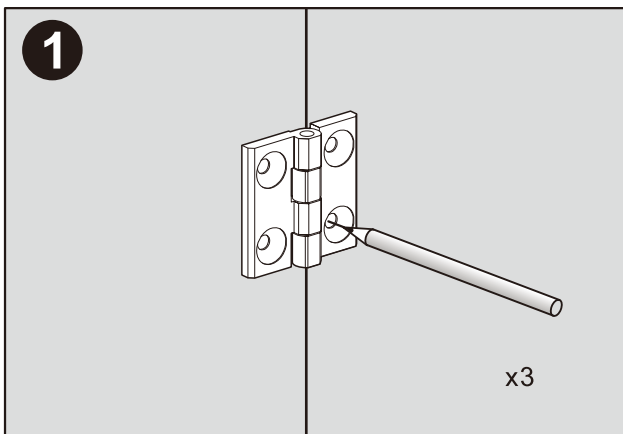
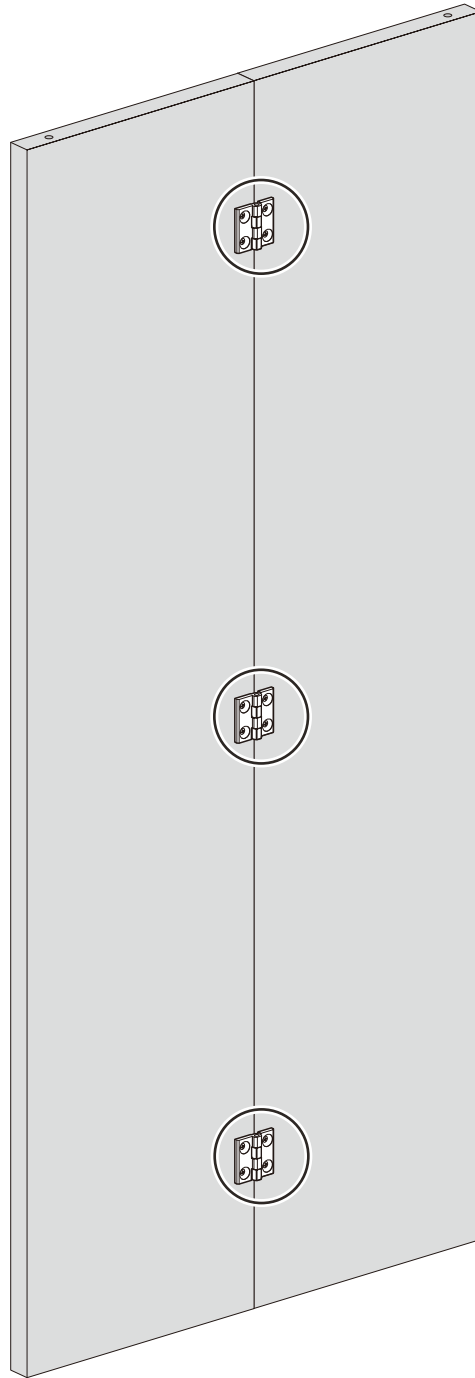
**F**



(x3)

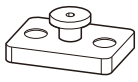


ST6X25 (x12)

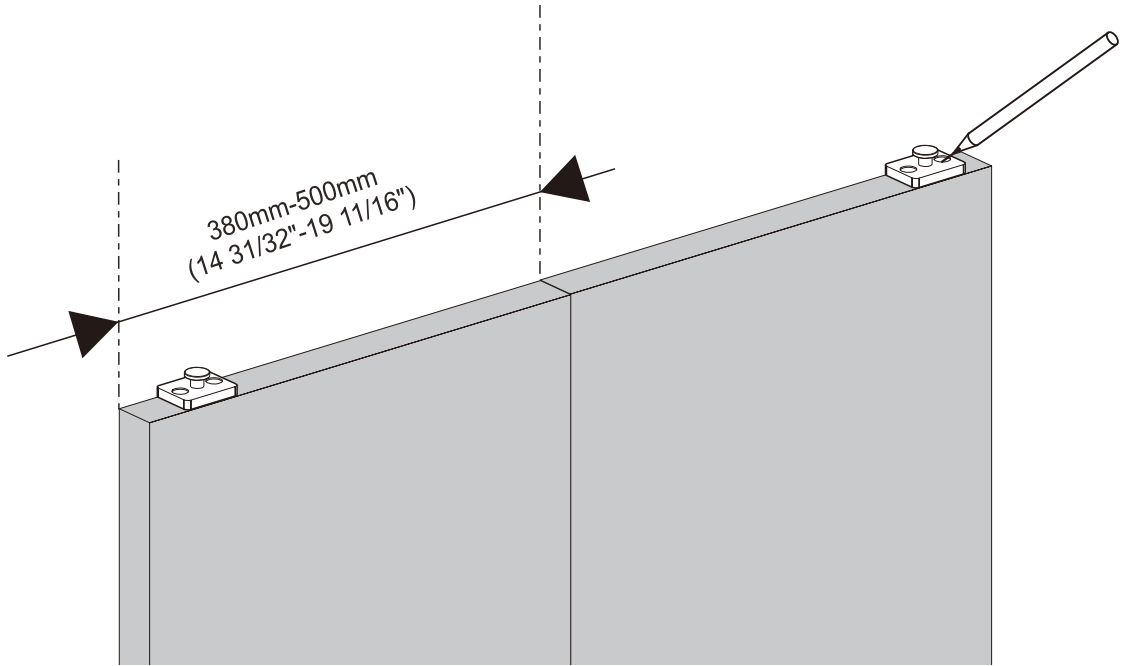


5

E



(x2)

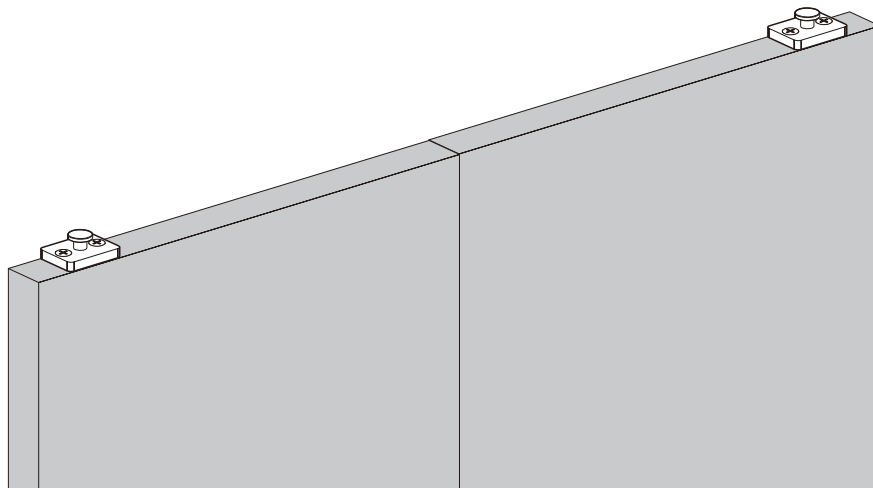
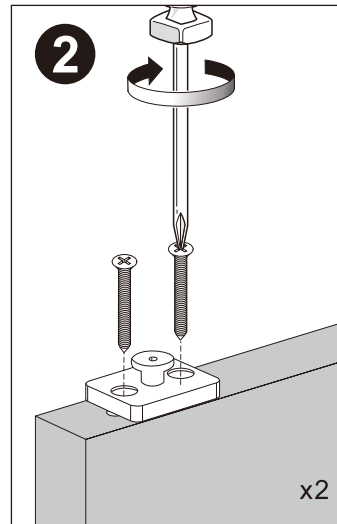
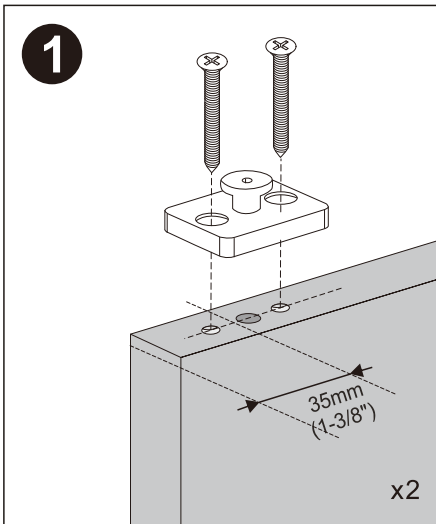


6

E

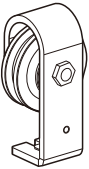


ST4.8X50 (x4)

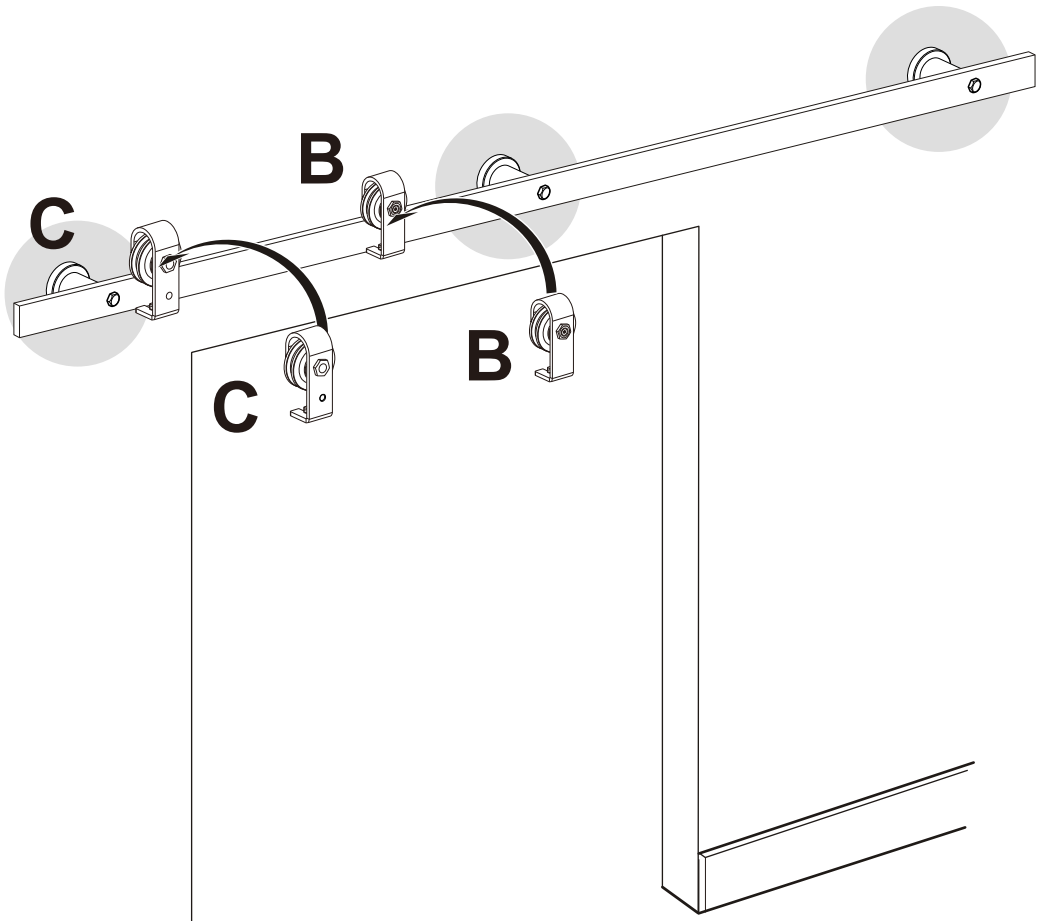


**7****B**

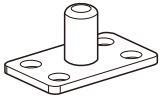
(x1)

**C**

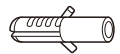
(x1)

**8****G**

(x1)



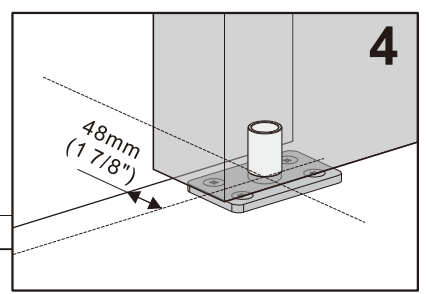
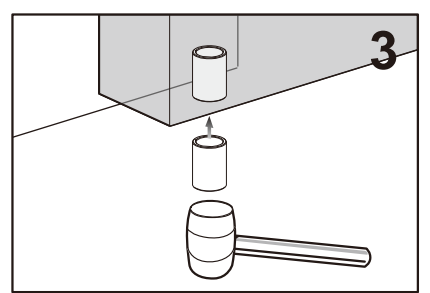
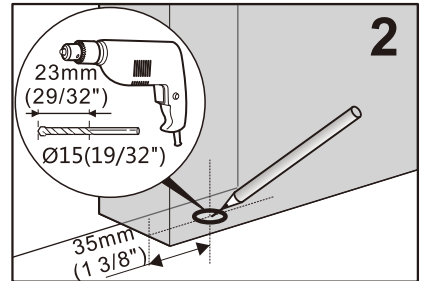
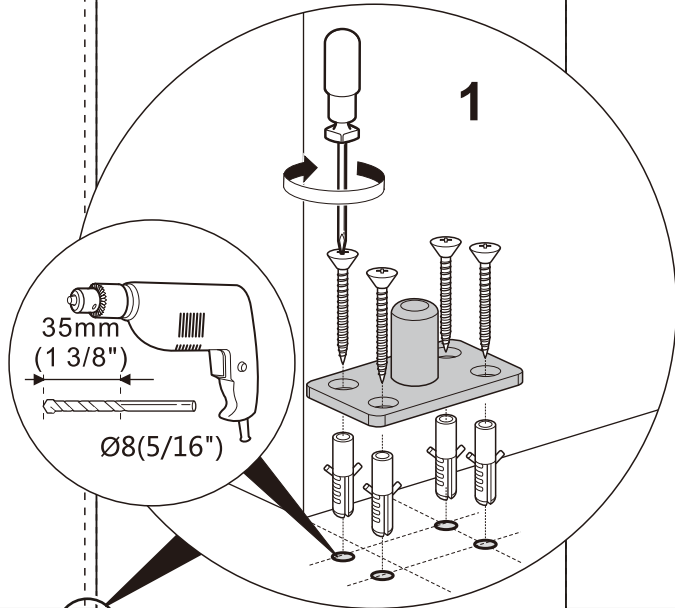
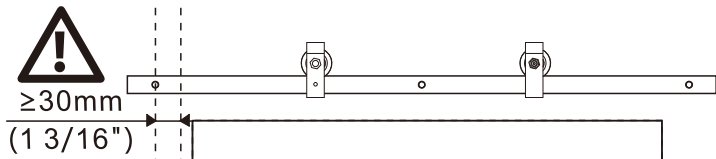
(x1)



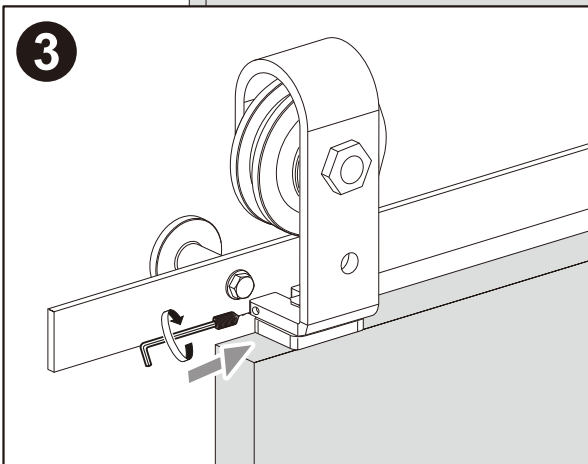
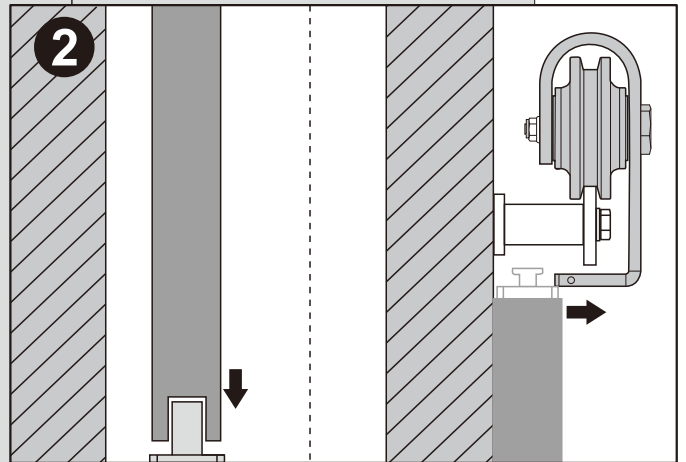
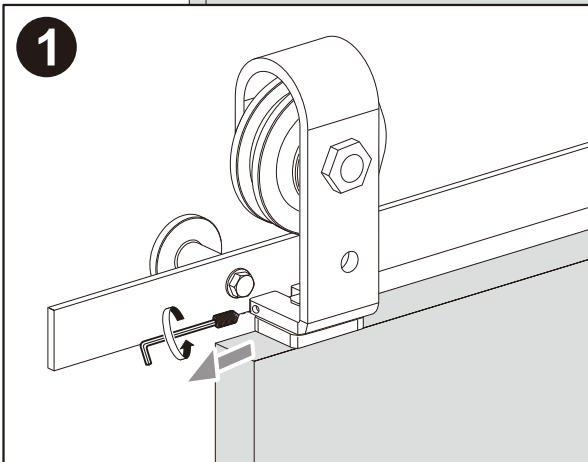
Ø8X35 (x4)

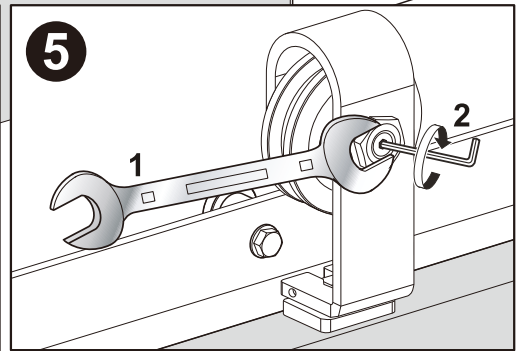
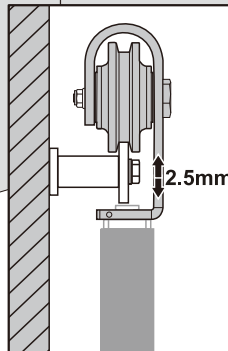
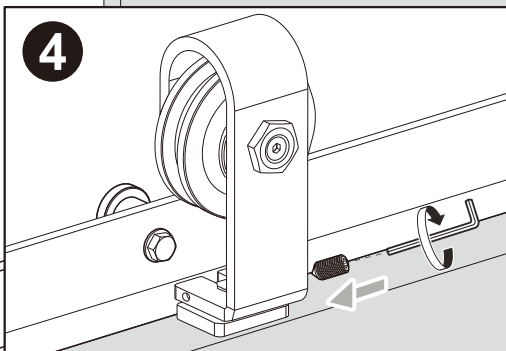
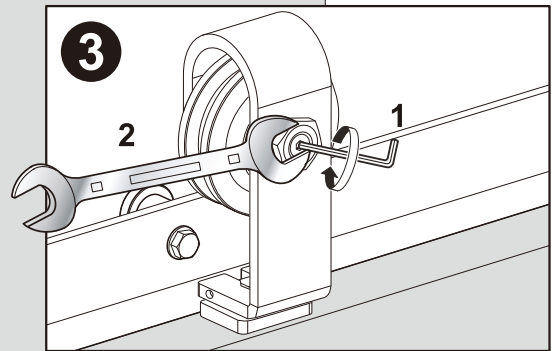
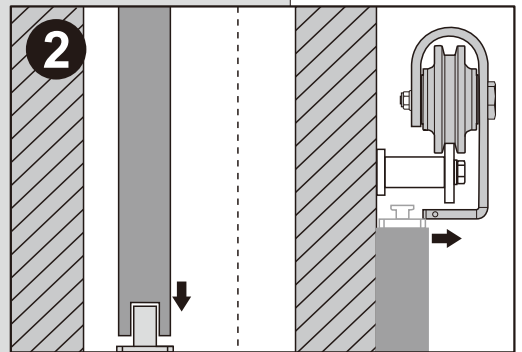
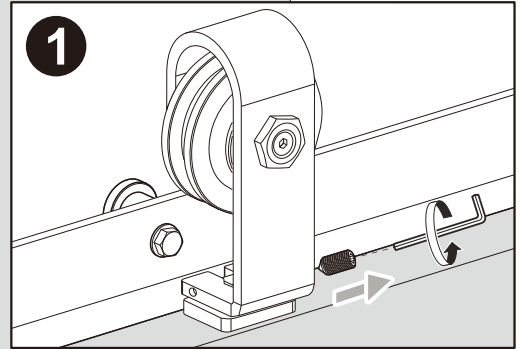
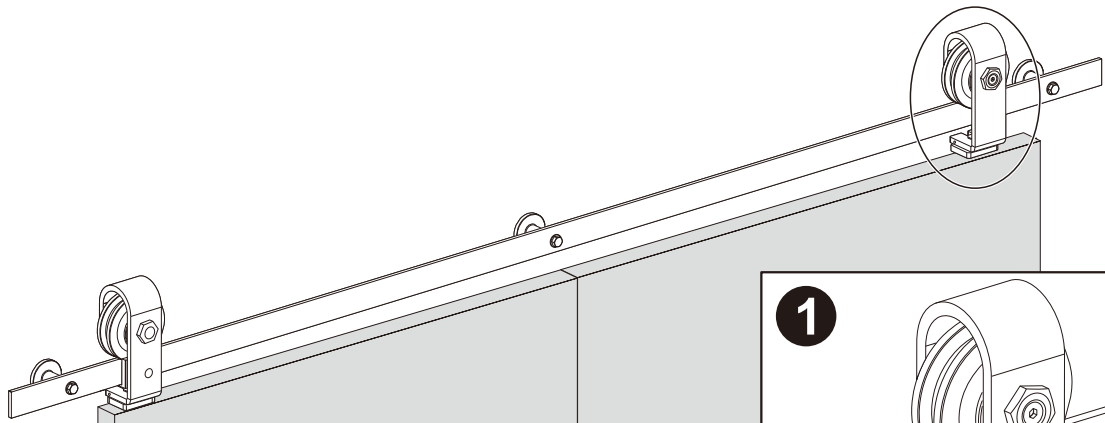


ST4.2X32 (x4)



9





**11**

**C**

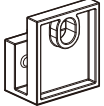


(x1)



M5x26 (x1)

**D**



(x1)



M5x6 (x2)

