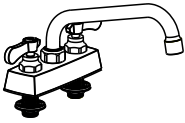
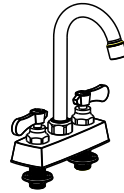


Installation instructions

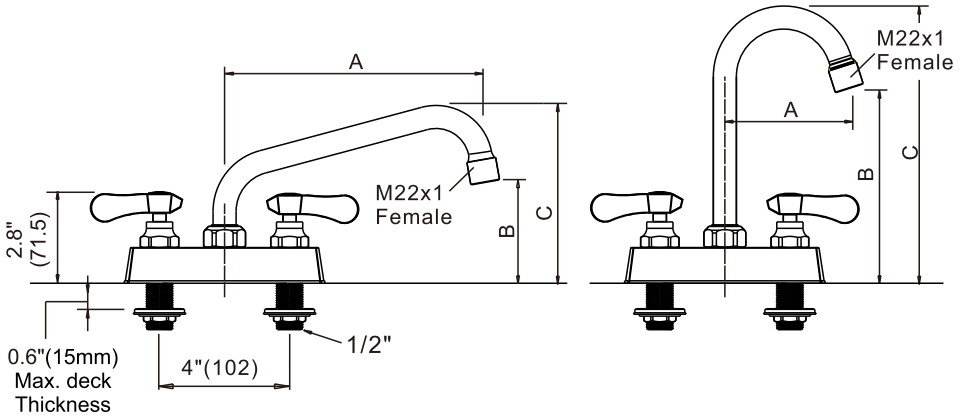
Pantry and Workboard Faucets



2319900C-6
 2319900C-8
 2319900C-10
 2319900C-12






2319800C



Attach supply lines (not included).

| MODEL | A | B | C |
|-------------|--------------|---------------|---------------|
| 2319900C-6 | 6" (153) | 2.4" (61) | 4.9" (125) |
| 2319900C-8 | 8" (203) | 3" (78) | 5.4" (139) |
| 2319900C-10 | 10" (254) | 3" (78) | 5.4" (139) |
| 2319900C-12 | 12" (305) | 4.4" (113) | 6.5" (165) |
| 2319800C | 3.8" (97) | 6" (152) | 8.5" (216) |



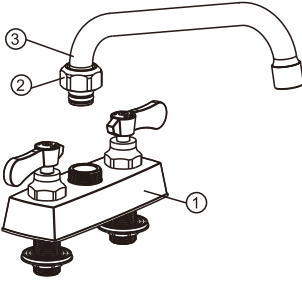
-  washer
-  1.2/1.8gpm aerator
-  aerator house

Used for bathroom basin faucet:
 With 1.2 gpm are compliant with California water efficiency regulations,
 Used for kitchen sink faucet :
 With 1.8 gpm are compliant with California water efficiency regulations.
 Complies with California Proposition 65 and with the Federal Safe Drinking Water Act.

In areas with extremely low water pressure causing the faucet water flow to be unsatisfactory, replace the 2.2 gpm aerator to improve the water flow in the faucet.

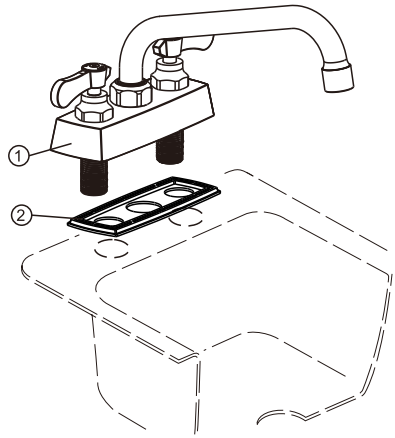
Water Use Information:
 basin faucet: 1.2 gpm 4.5L/min,
 kitchen faucet: 1.8 gpm 6.8L/min.

1



Put the swing nozzle (3) into the body (1), screw the nut (2).

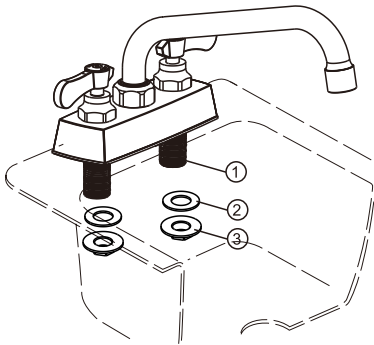
2



Provided with necessary models.

OPTION: Use silicone under the base if deck is uneven.

3



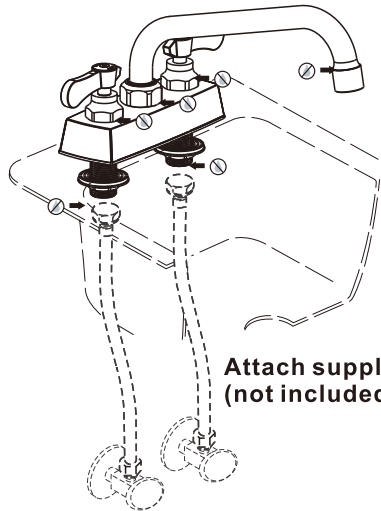
1. Slide faucet down through mounting hole on sink.

Option: If sink is uneven, use silicone under the gasket.

2. Place gasket(2) over thread rod (1) under sink.

3. Screw hexagonal lock nut (3) on to mounting stud (1) and tighten.

4



Attach supply lines (not included).

FLUSH SYSTEM/CHECK FOR LEAKS.

Turn on hot and cold water supplies and flush water lines for one minute.

Check all connections at arrows for leaks.

Retighten if necessary, but do not overtighten.