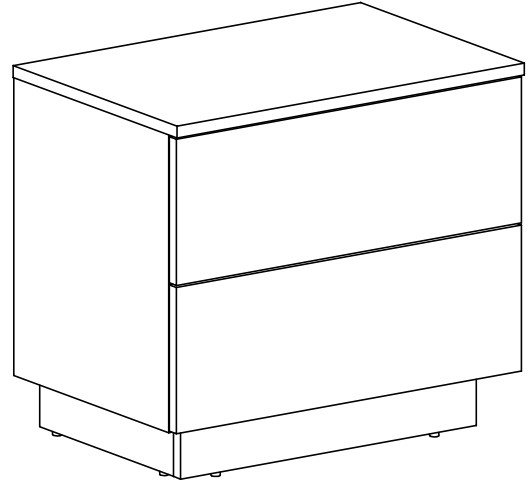
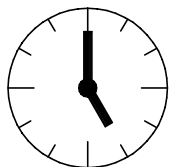
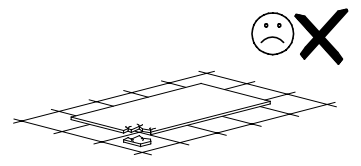
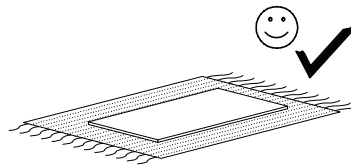
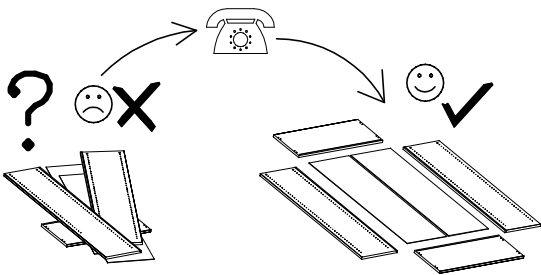
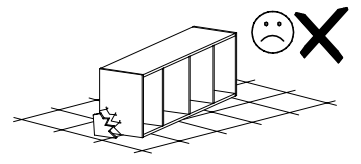
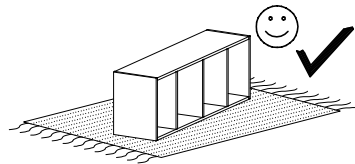
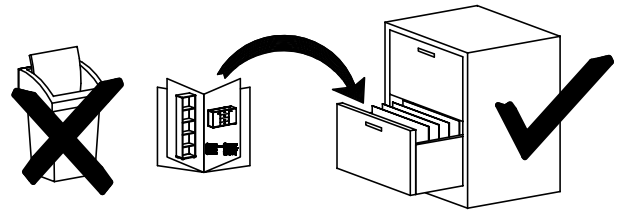
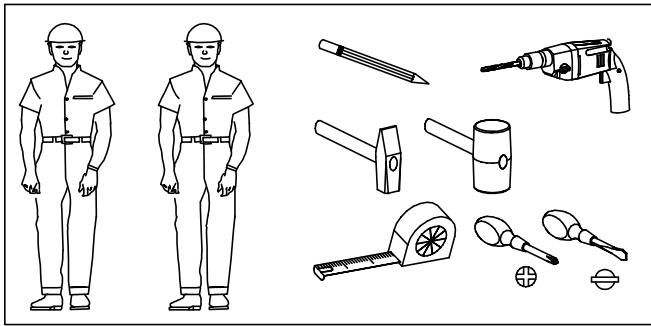


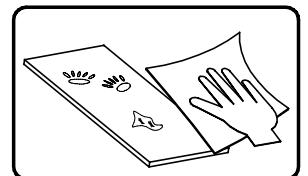
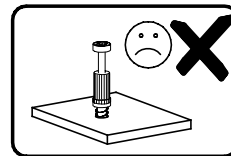
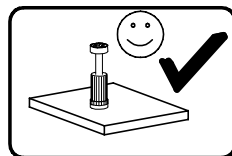
# Installation & Assembly

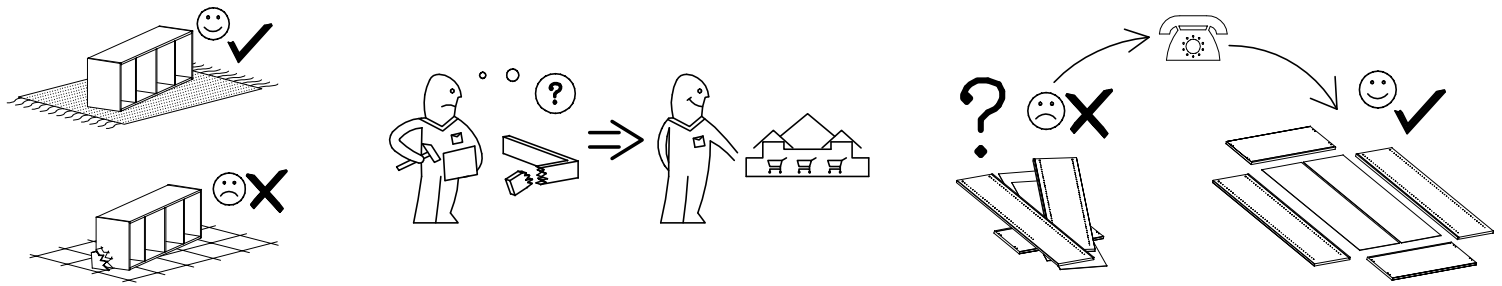


PUSH

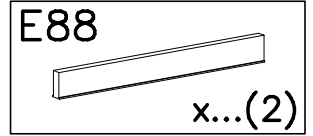


1,5h

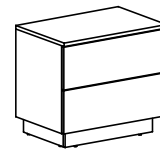




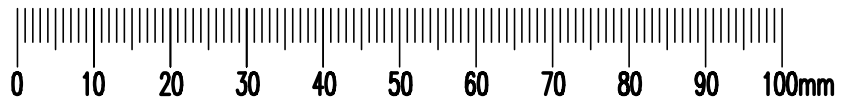
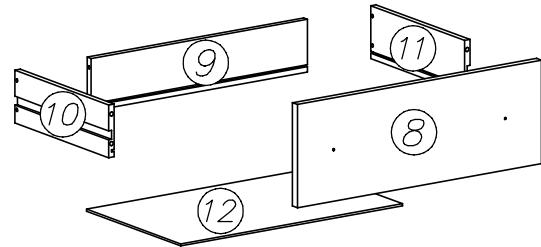
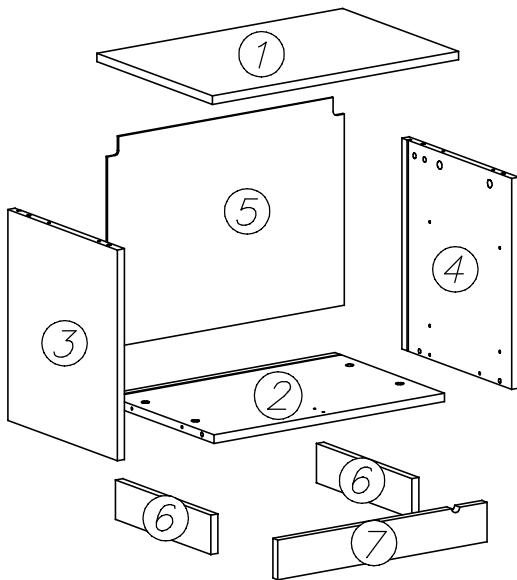
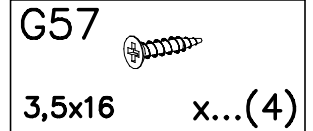
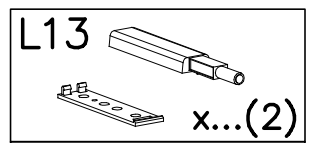
OPCJA A



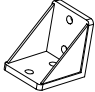

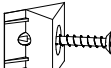

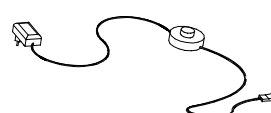


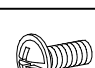
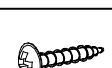
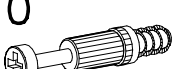

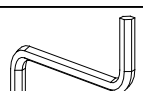



OPCJA B

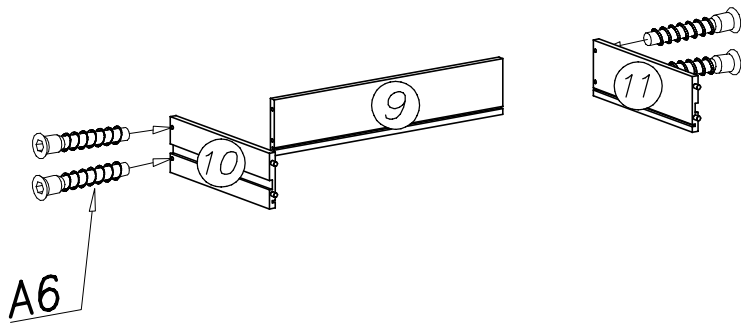


PUSH

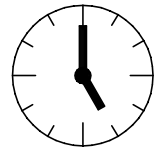
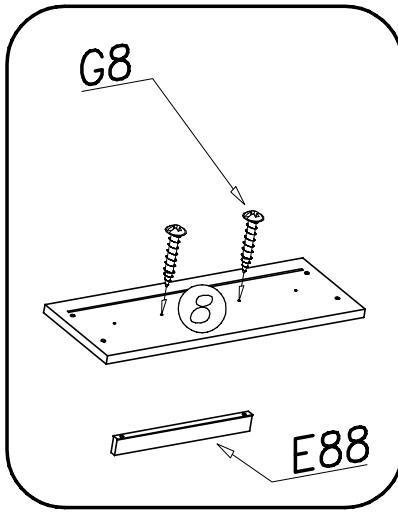
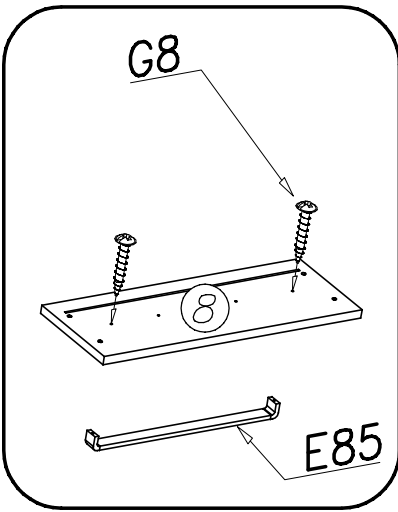
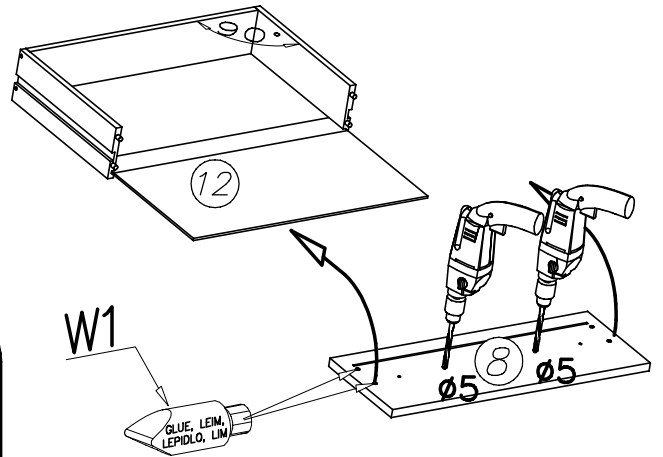
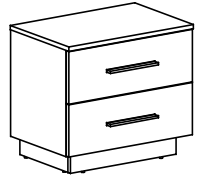


<p><b>A6</b>  <math>\varnothing 7 \times 40</math> x...(8)</p>	<p><b>G50</b>  6x13 x...(8)</p>	<p><b>F15</b>  x...(8)</p>		
<p><b>H3</b>  280mm x...(4)</p>	<p><b>I1</b>  x...(6)</p>	<p><b>W1</b>  GLUE, LEIM, LEPIDLO, LIM x...(1)</p>	<p><b>W10</b>  300mm x...(1)</p>	
<p><b>K1</b>  <math>\varnothing 15 \times 12</math> x...(8)</p>	<p><b>G8</b>  4x30 x...(4)</p>	<p><b>N1</b>  M4x9 x...(4)</p>	<p><b>G56</b>  4x16 x...(32)</p>	
<p><b>K10</b>  x...(8)</p>	<p><b>B1</b>  <math>\varnothing 8 \times 35</math> x...(8)</p>	<p><b>W2</b>  x...(1)</p>	<p><b>P4</b>  x...(6)</p>	

I

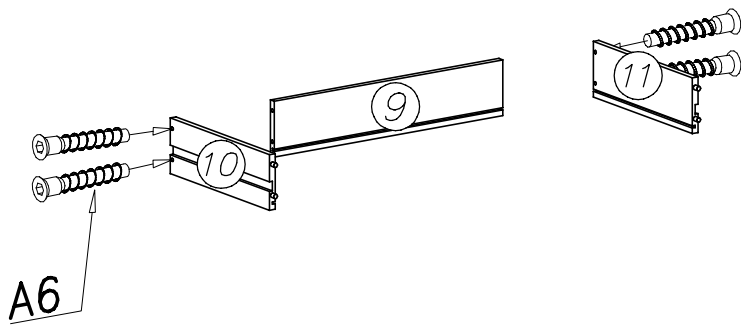


OPCJA A

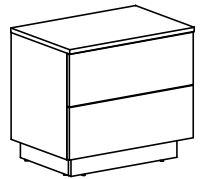


0,5h

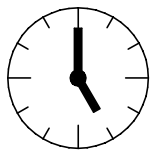
II



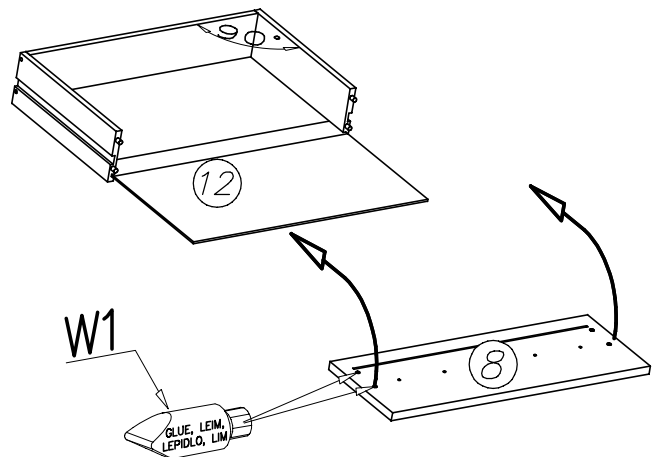
OPCJA B



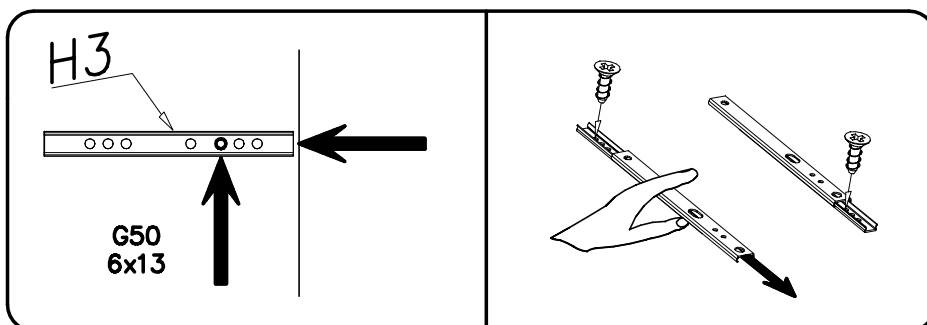
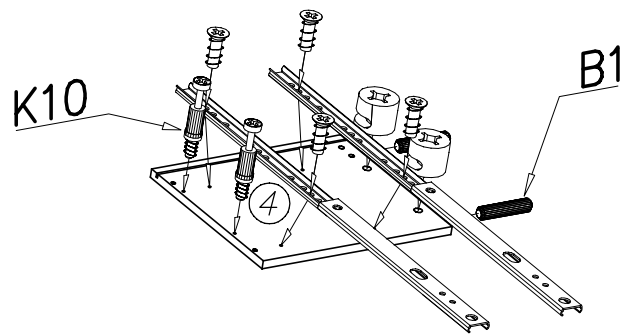
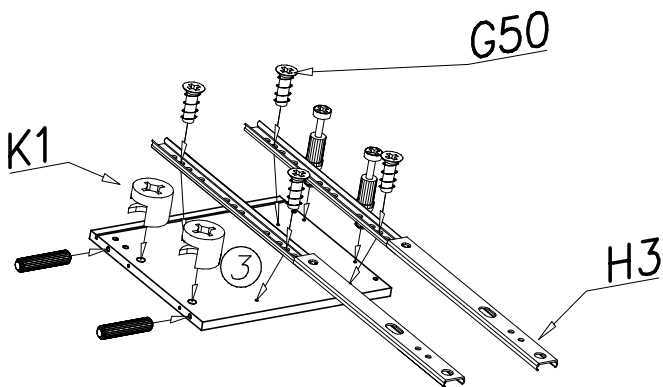
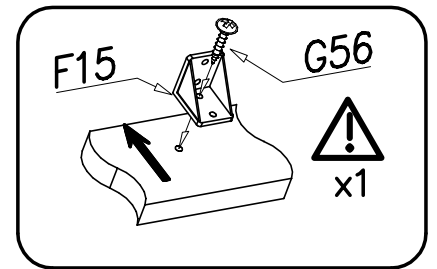
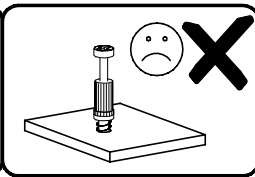
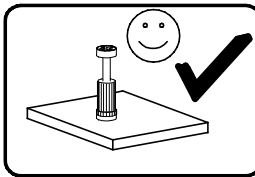
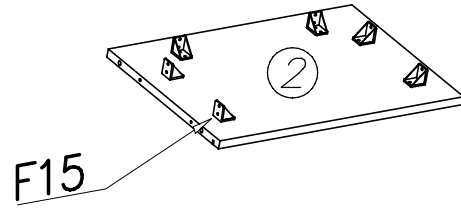
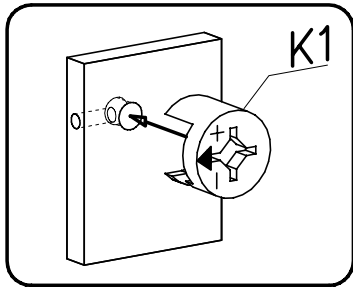
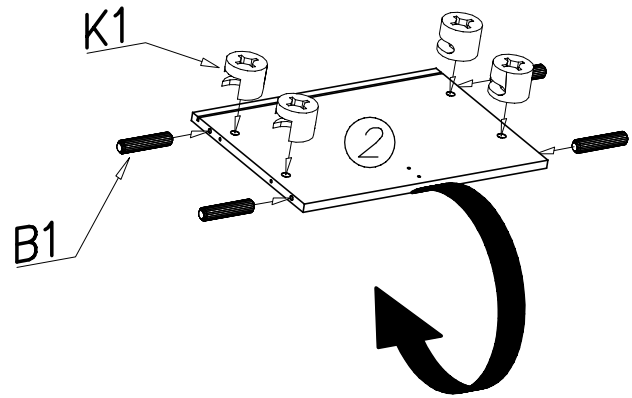
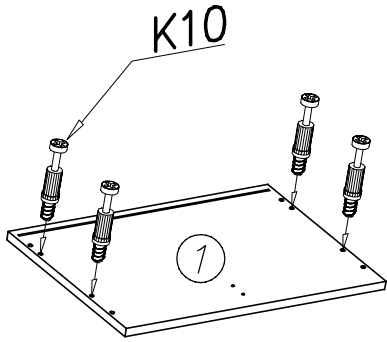
PUSH



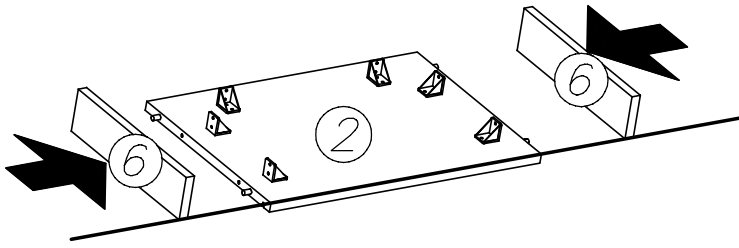
0,5h



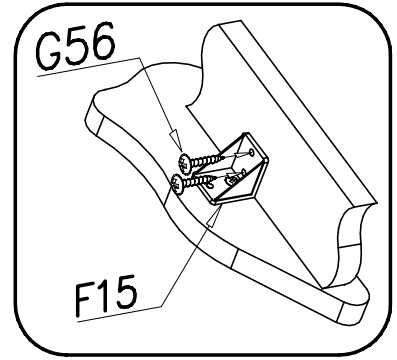
III



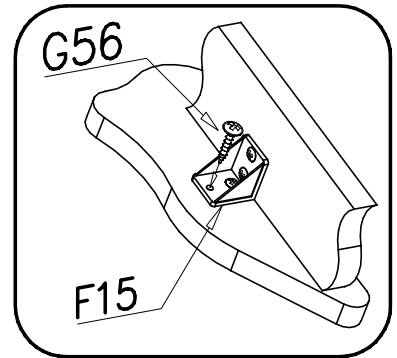
# IV



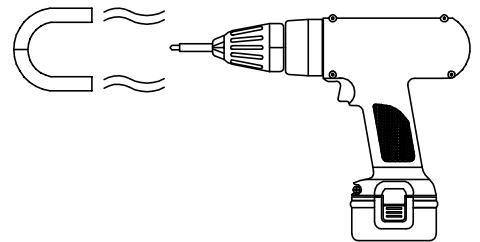
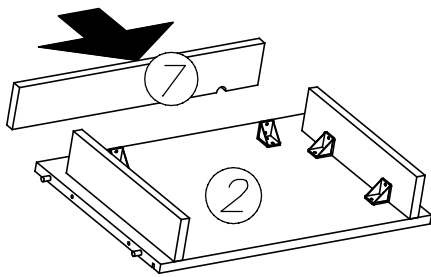
1.



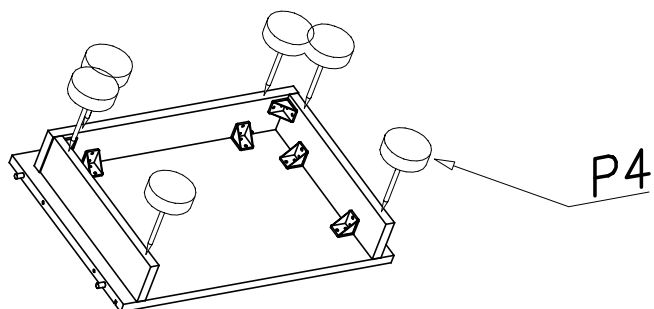
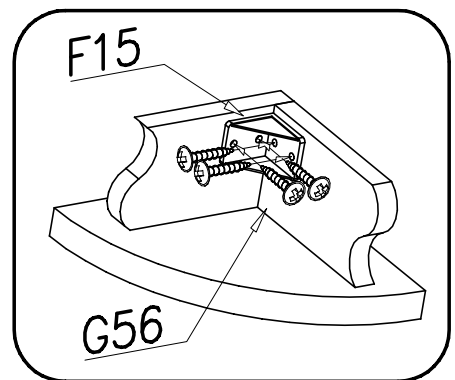
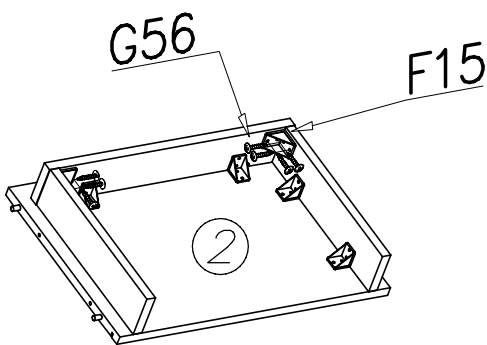
2.



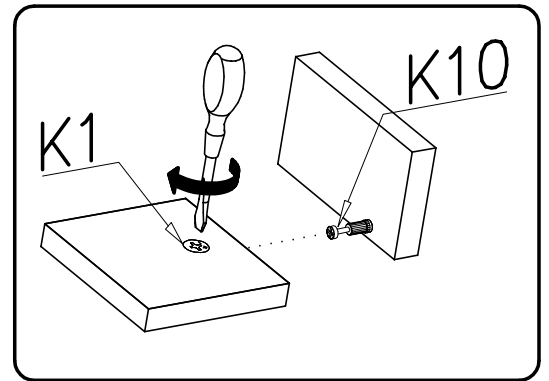
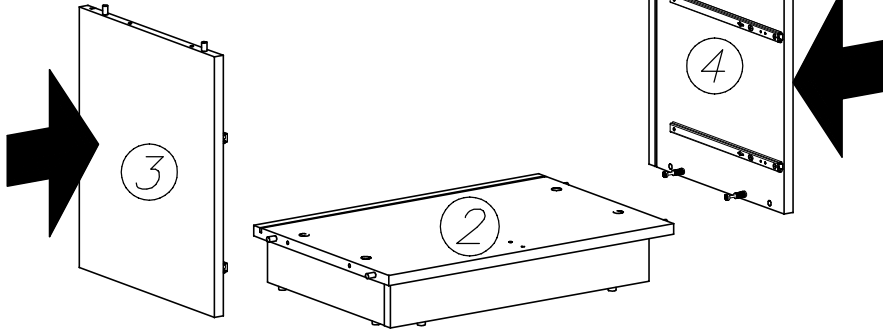
# V



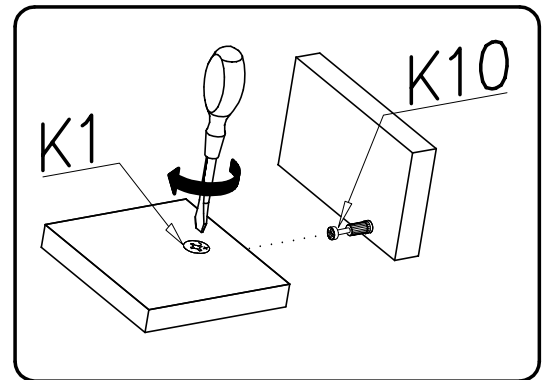
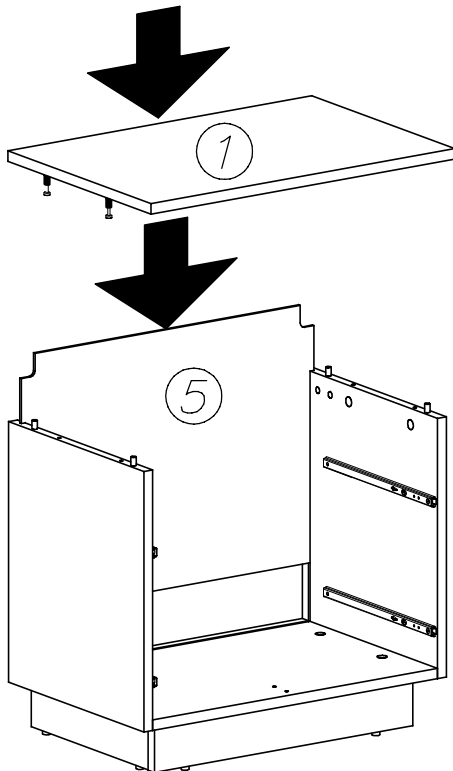
# VI



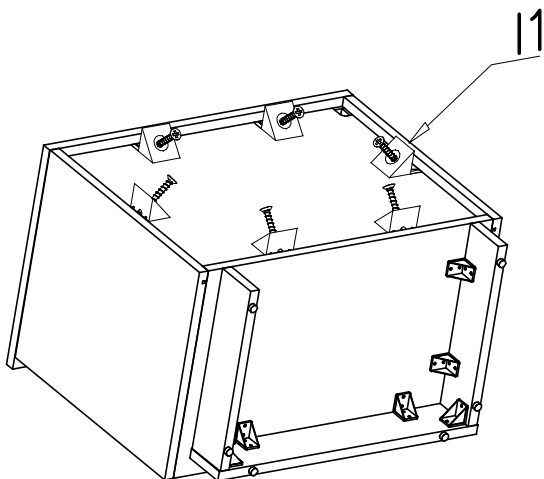
VII



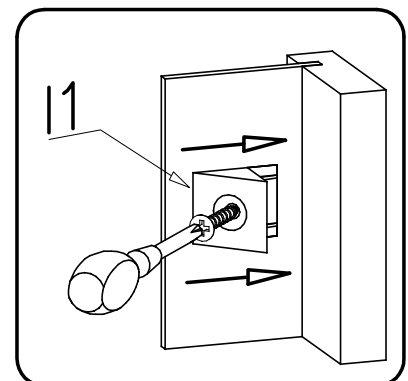
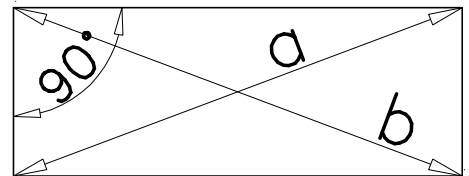
VIII



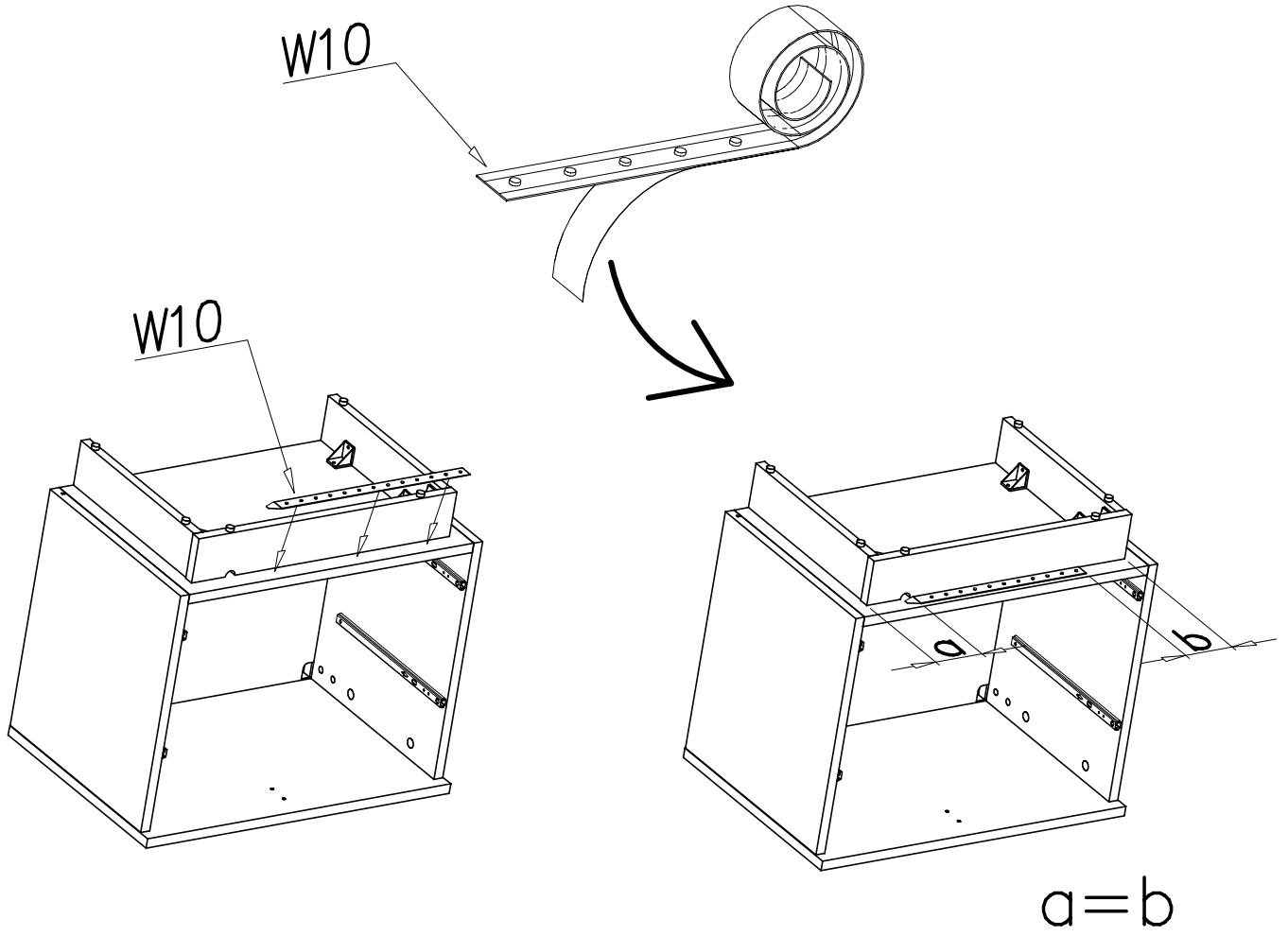
IX



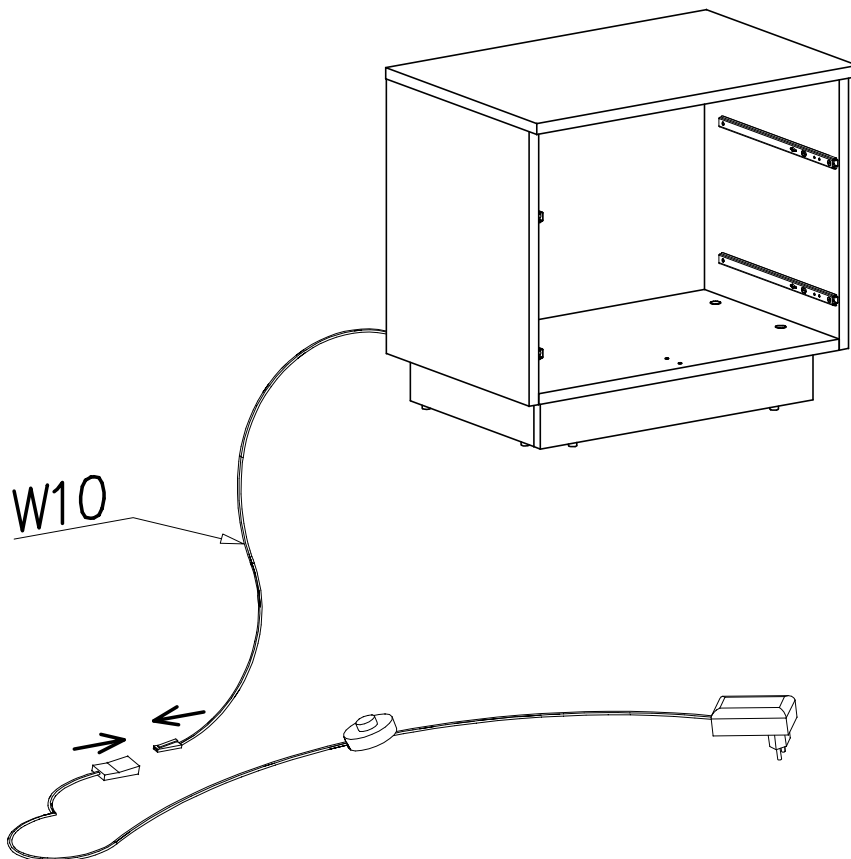
$$a = b$$



X

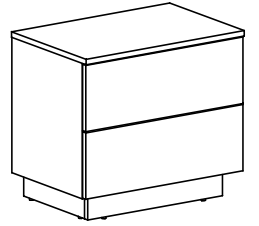


XI

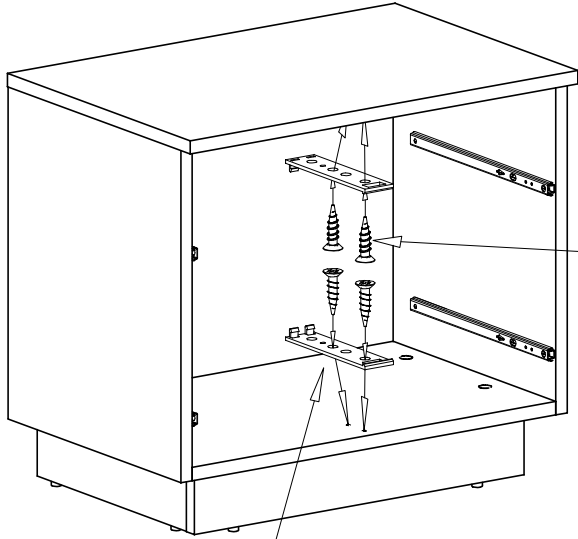


# XII

## OPCJA B

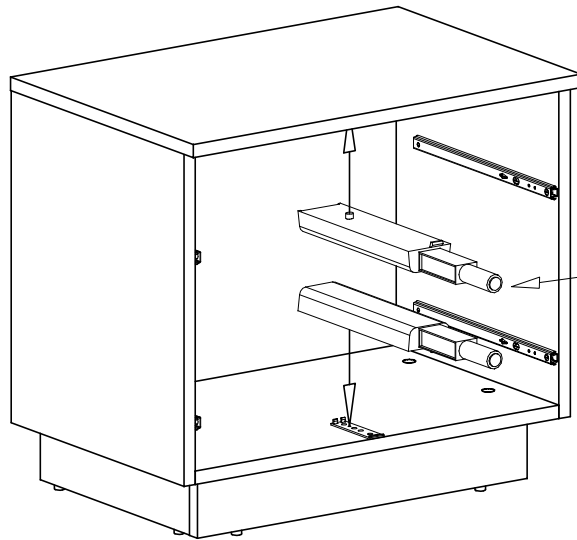
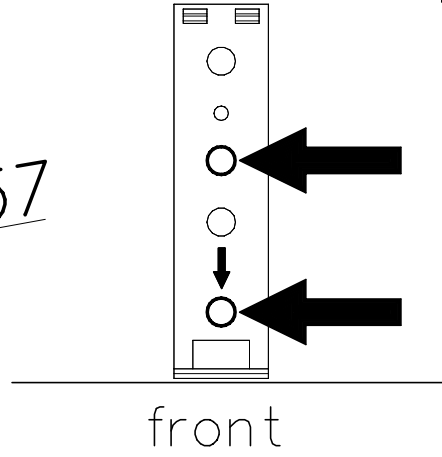


PUSH

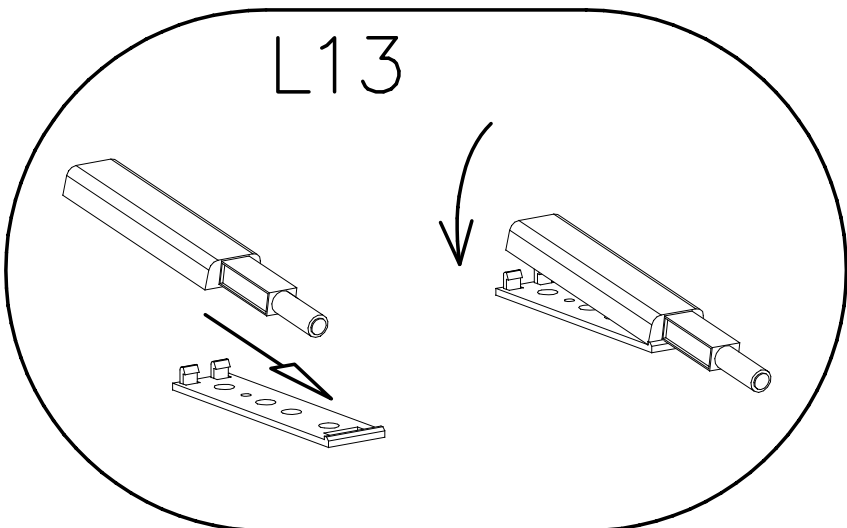


G57

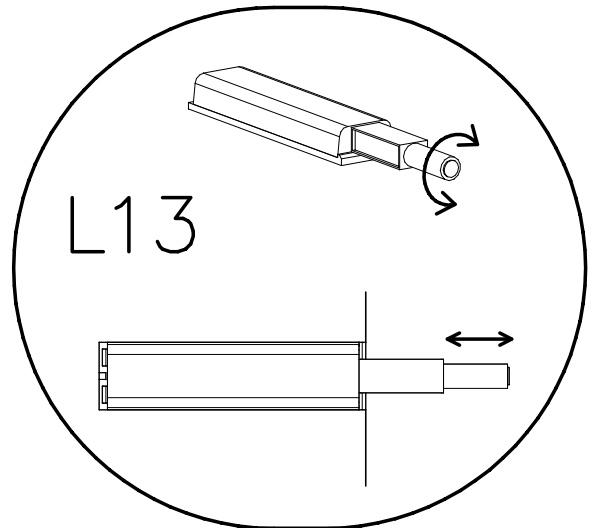
L13



L13



L13



L13

## XIII

