

THE BED ASSEMBLY INSTRUCTIONS



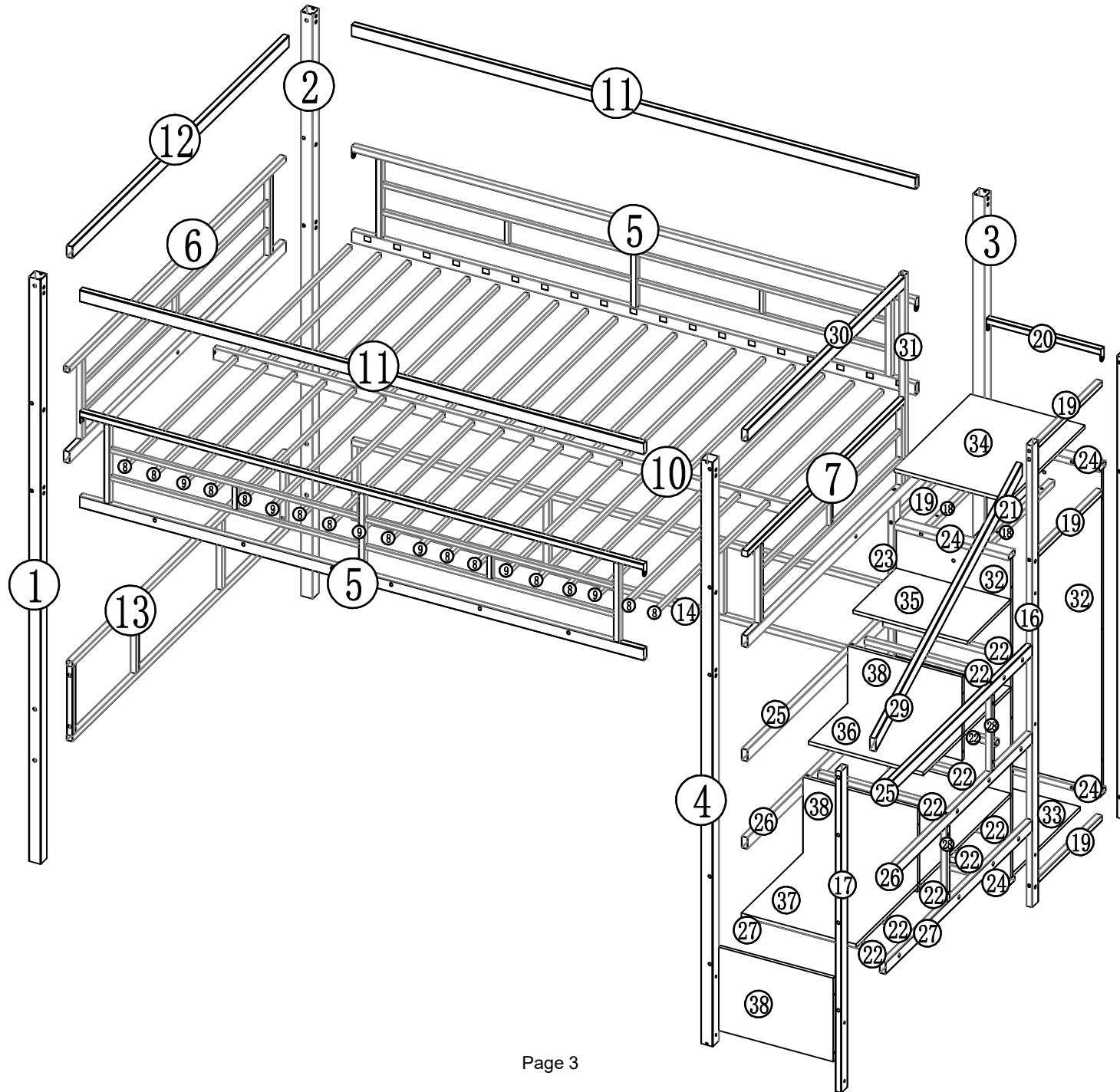
Attention

Please use the screws correctly according to the instructions. Thank you.
































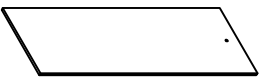
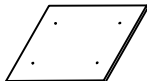
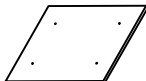


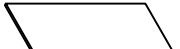

SAFETY WARNINGS AND GENERAL NOTES:

1. Follow the information on the warnings on the bunk bed end structure and on the carton. Do not remove the warning label from the bed.
 2. Always use the recommended size mattress on mattress support, or both, to help prevent the likelihood of entrapment or falls.
 3. Do not allow children under 6 years of age to use the upper bunk.
 4. Periodically check and ensure the guardrail, ladder and other components are in their proper position, free from damage, and all connectors are tight.
 5. Do not allow horseplay on or under beds.
 6. Always prohibit jumping on the bed.
 7. Prohibit more than one person on upper bunk.
 8. Always use the ladder for entering and leaving the upper bunk.
 9. Do not use substitute parts. Contact the manufacturer or dealer for replacement parts.
 10. Use of a night-tight may provide added safety precaution for a child using the upper bunk.
 11. Always use guardrails on both long sides of the upper bunk.
 12. If the bunk bed will be placed next to a wall, the guardrail that runs the full length of the bed should be placed against the wall to prevent entrapment between the bed and the wall.
The use of water or sleep flotation mattresses is prohibited.
 13. **STRANGULATION HAZARD**-Never attach or hang items to any part of the bunk bed that are not designed for use with the bed; for example, but not limited to, hooks, belts and jump ropes.
 14. Keep these instructions for future reference.
 15. We recommend assembling your bunk bed on the shipping carton to protect your floor or carpet.
 16. Be certain all staples are out of the box before beginning assembly on the shipping carton.
 17. USE ONLY MATTRESSES WHICH ARE AS THE TABLE BELOW ON UPPER AND ON LOWER BUNKS.
- | Up bed (bunk bed and tribed included) | | Mattress size | Length | Width | Thickness |
|---------------------------------------|----------|---------------|---------|--------|-----------|
| FULL | Standard | 74"-75" | 53"-54" | 6" Max | |
18. SURFACE OF MATTRESS MUST BE AT LEAST 5"(127MM) BELOW THE UPPER EDGE OF GUARDRAILS.
 19. Replacement Parts:
Replacement Parts, including additional guardrails, may be obtained from any of our (Shenzhen Yuefeng Zhiqi Technology Co., Ltd) dealers.










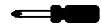



Bed parts view



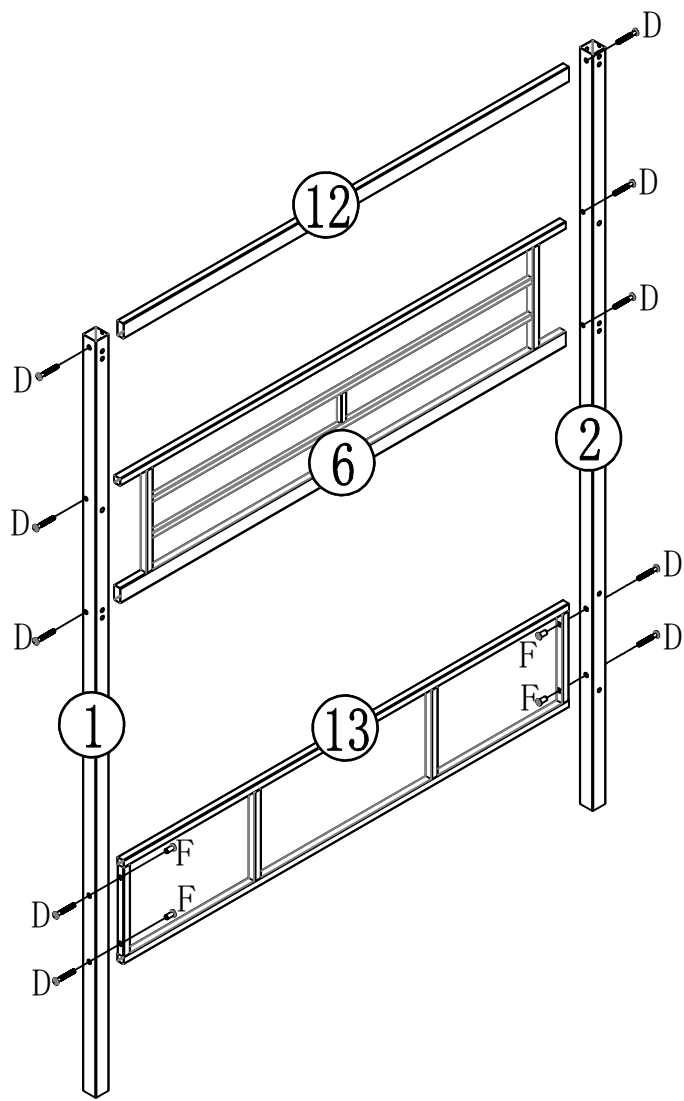
Part List

 1-1pcs	 2-1pcs	 3-1pcs	 4-1pcs	 5-2pcs	 6-1pcs	 7-1pcs
 8-13pcs	 9-6pcs	 10-1pcs	 11-2pcs	 12-1pcs	 13-1pcs	 14-1pcs
 15-1pcs	 16-1pcs	 17-1pcs	 18-4pcs	 19-5pcs	 20-4pcs	 21-1pcs
 22-10pcs	 23-1pcs	 24-1pcs	 25-2pcs	 26-2pcs	 27-2pcs	 28-4pcs
 29-1pcs	 30-1pcs	 31-1pcs	 32-2pcs	 33-1pcs	 34-1pcs	 35-1pcs
 36-1pcs	 37-1pcs	 38-3pcs				

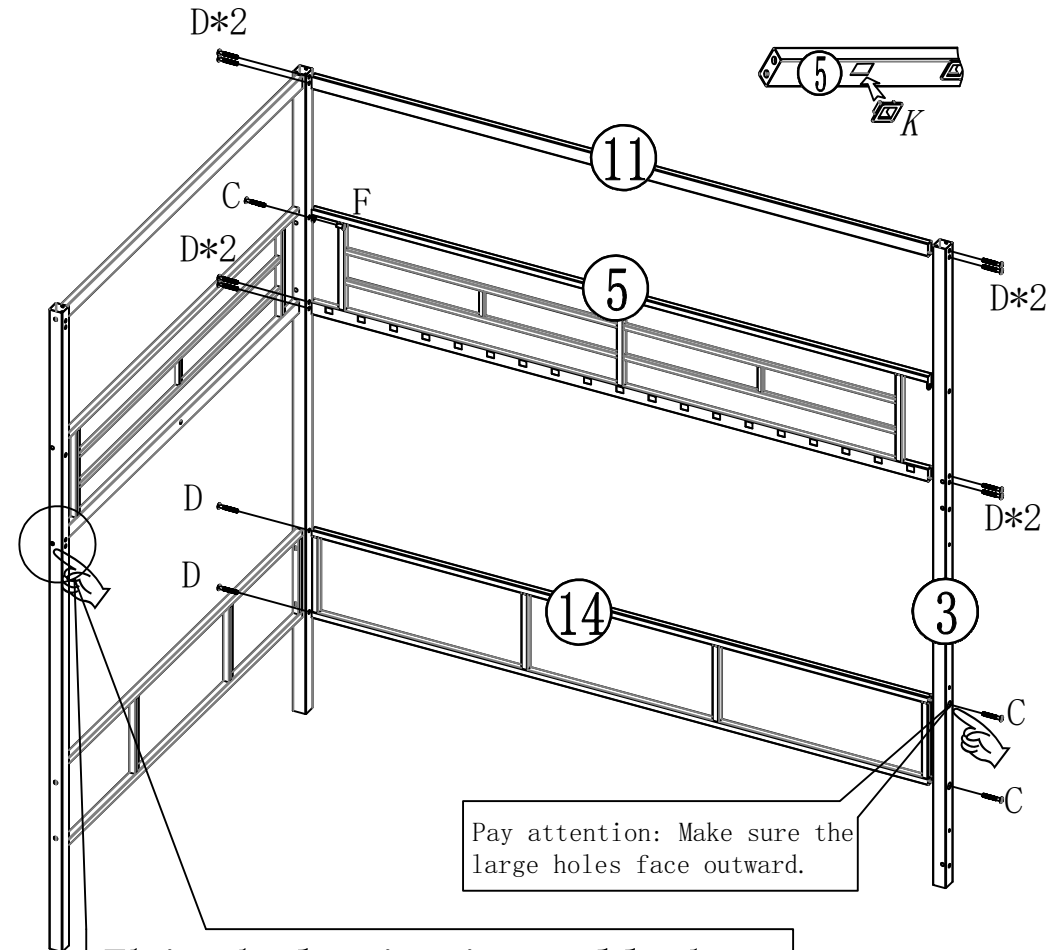
Hardware List

 B M8*15 1PCS	 C 8*35 38PCS	 D 8*55 77PCS	 E 6*25 12PCS	 F 8*15 9PCS	 K 38PCS	 G M4*35 19PCS	 H 4*50-5PCS	 R M4*25 8PCS	 M	 L1=4mm
									 O	 L1=5mm

Step 1



Step 2



D
8*55-10PCS



F
4*18-4PCS



L



D
8*55-10PCS



K-19PCS



C
8*35-3PCS

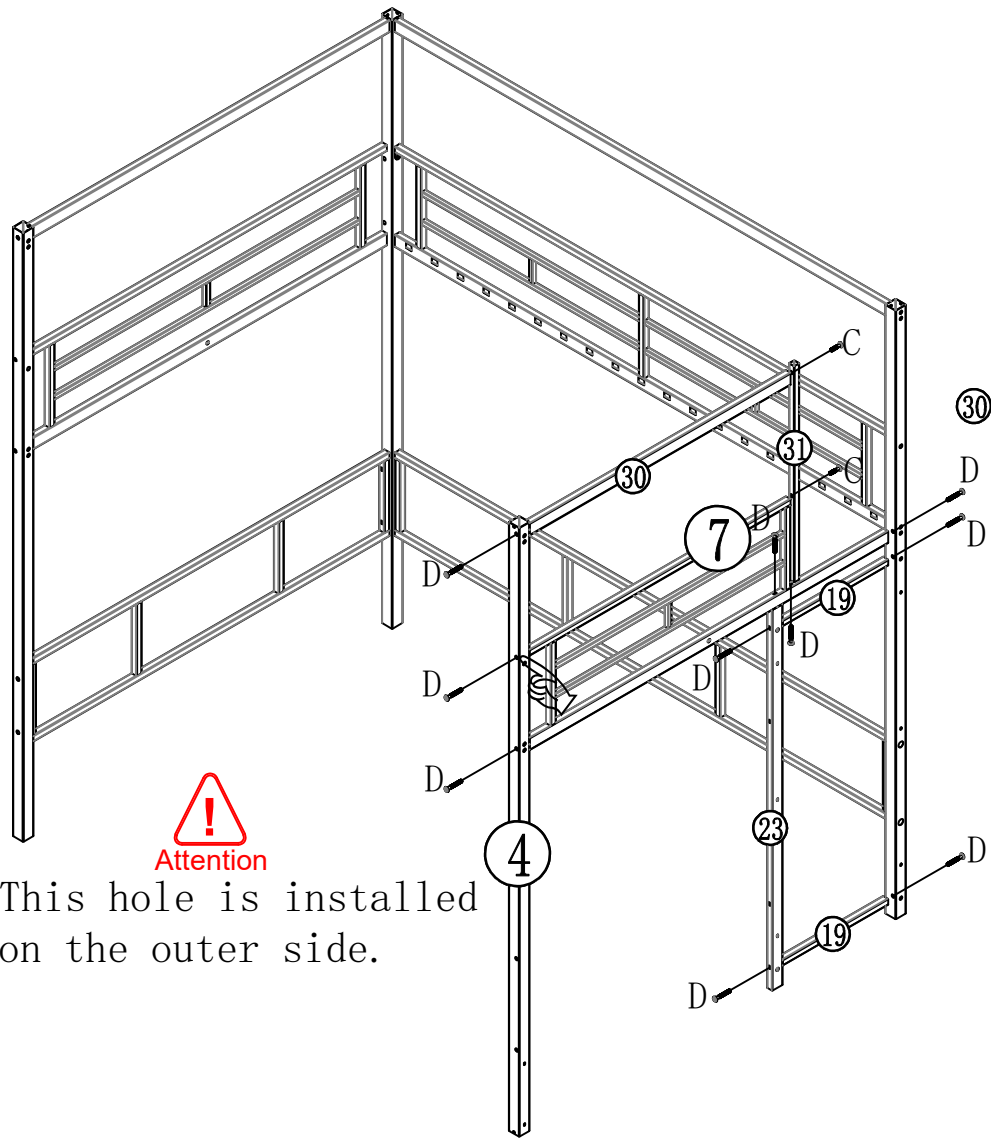


F
4*18-1PCS



L

Step 3



Attention

This hole is installed on the outer side.



C
8*35-2PCS

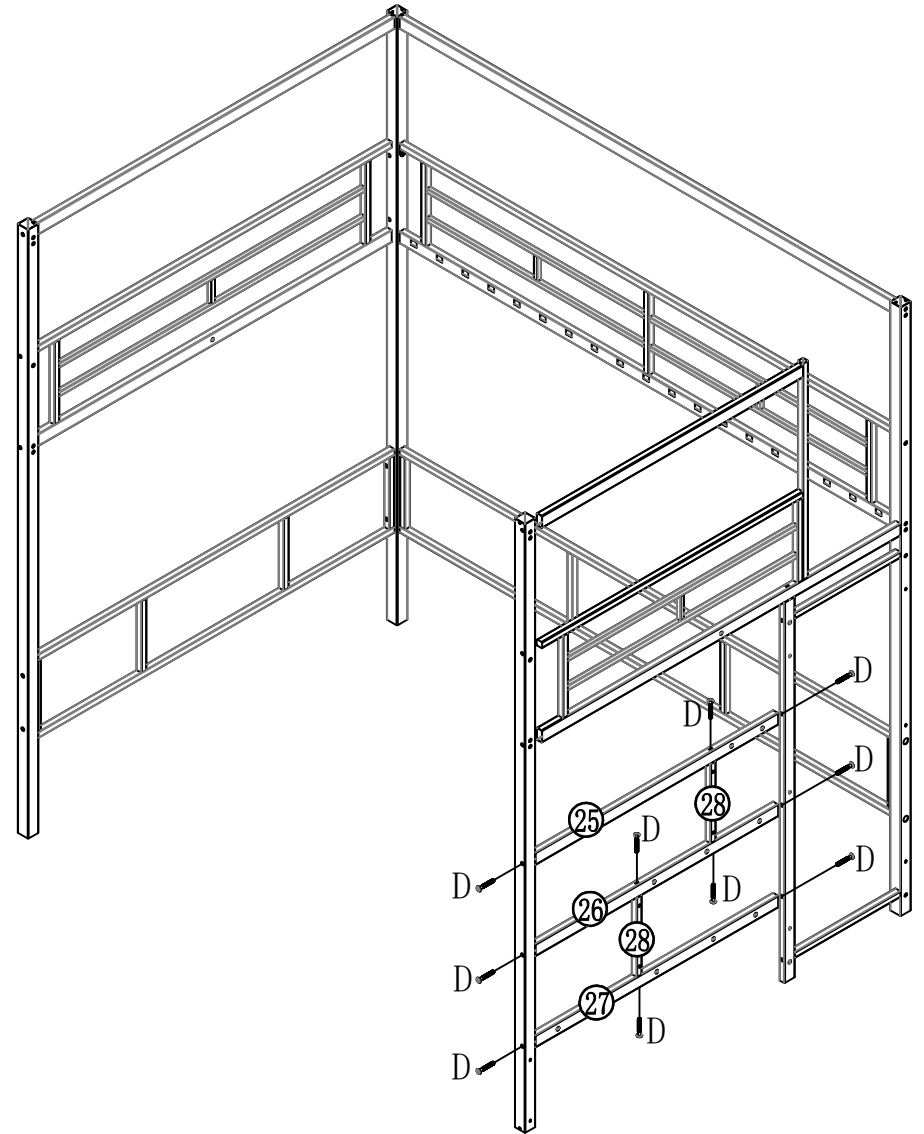


D
8*55-10PCS



L

Step 4

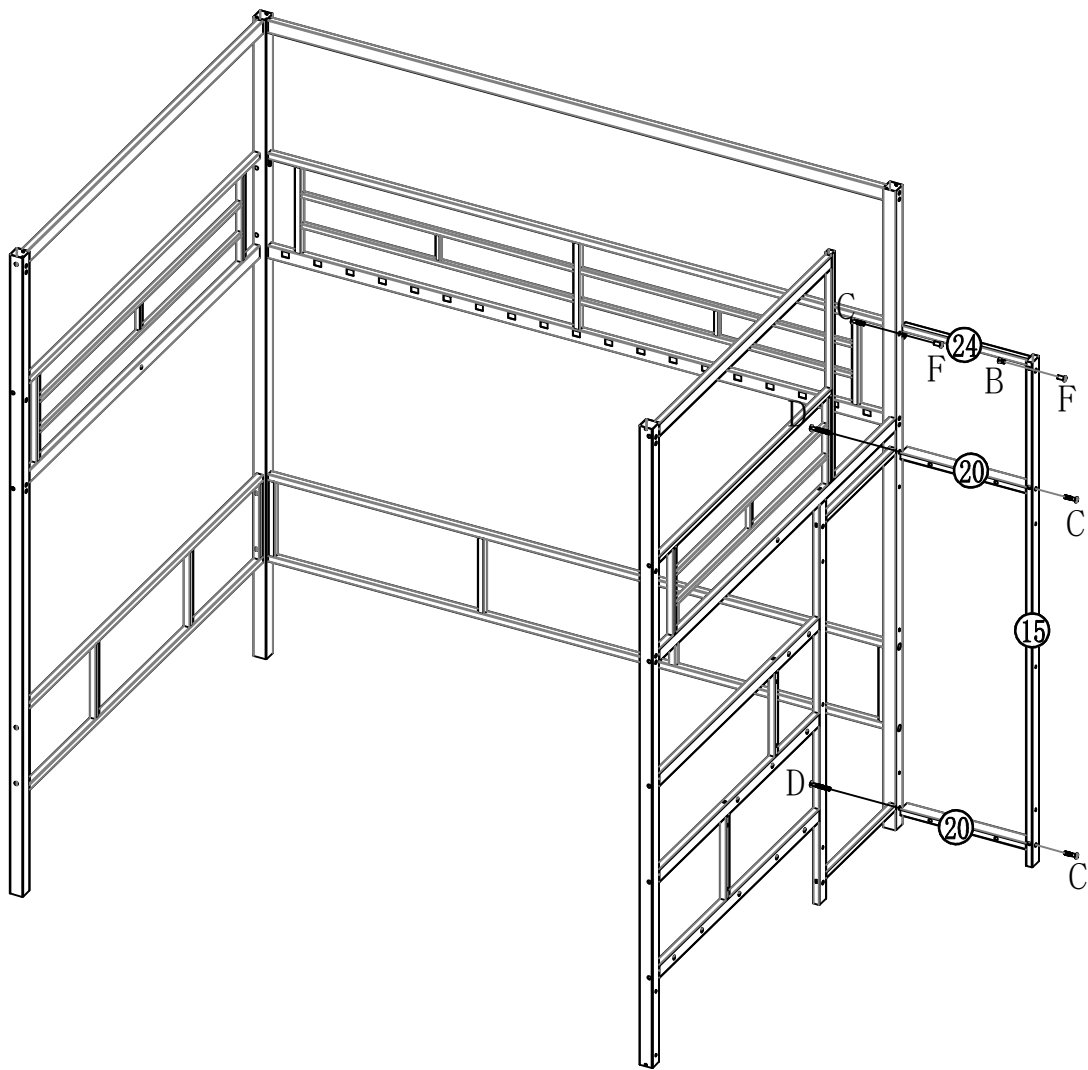


D
8*55-10PCS



L

Step 5



C
8*35-3PCS

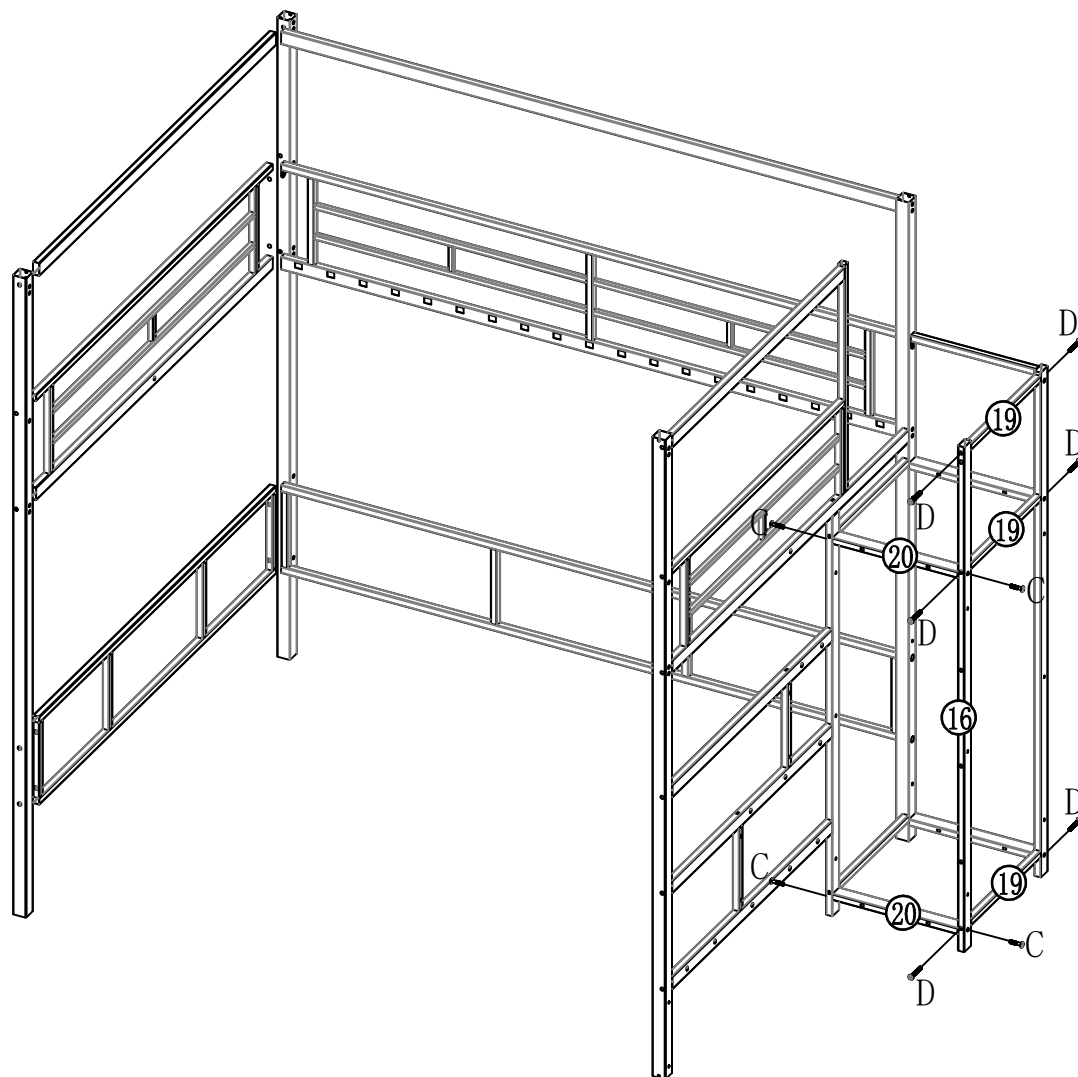
D
8*55-2PCS

B
M8*15
1PCS

F
8*18-2PCS

L

Step 6



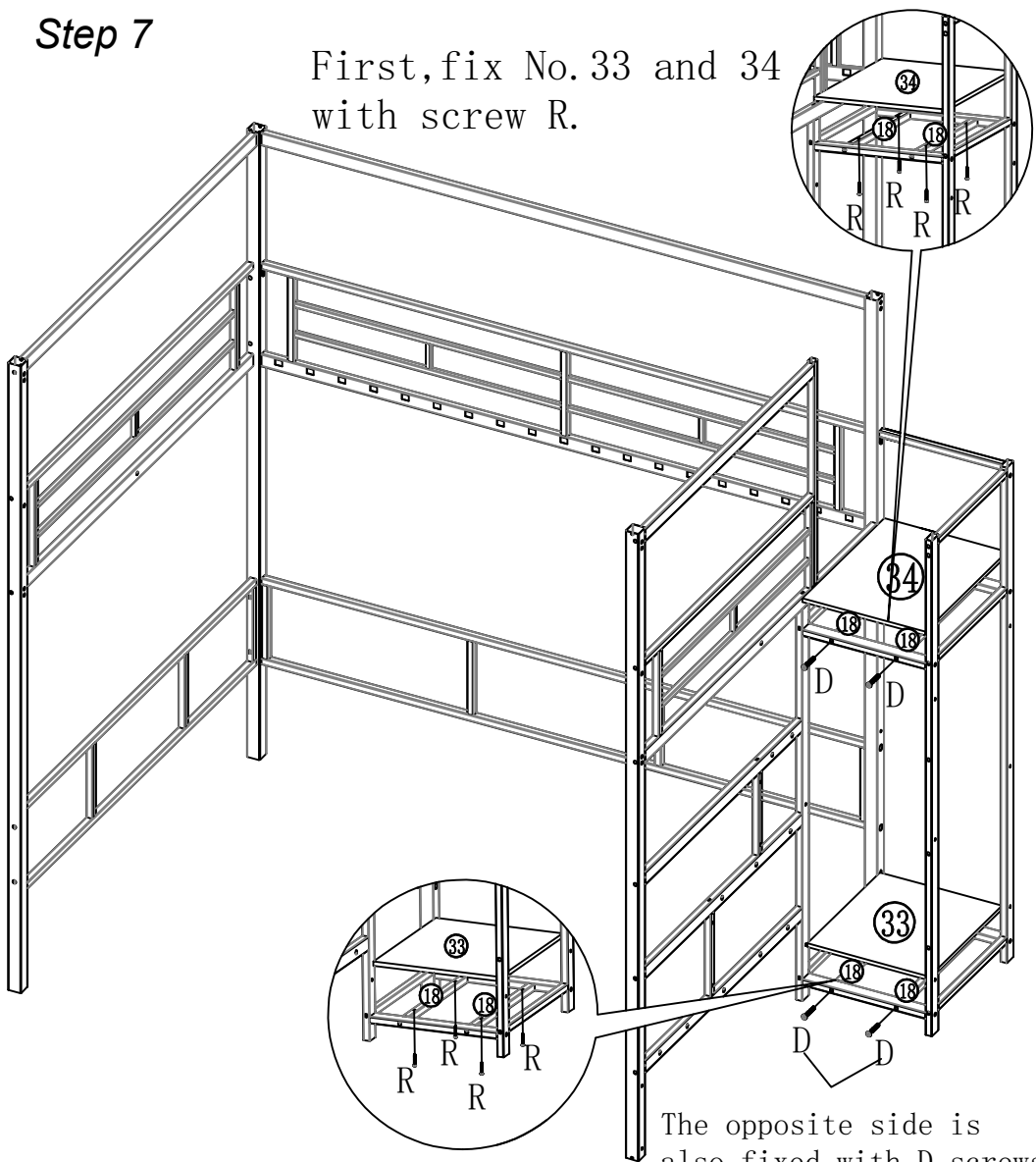
C
8*35-4PCS

D
8*55-6PCS

L

Step 7

First, fix No. 33 and 34 with screw R.



The opposite side is also fixed with D screws.



D
8*55-8PCS



R
M4*25
8PCS

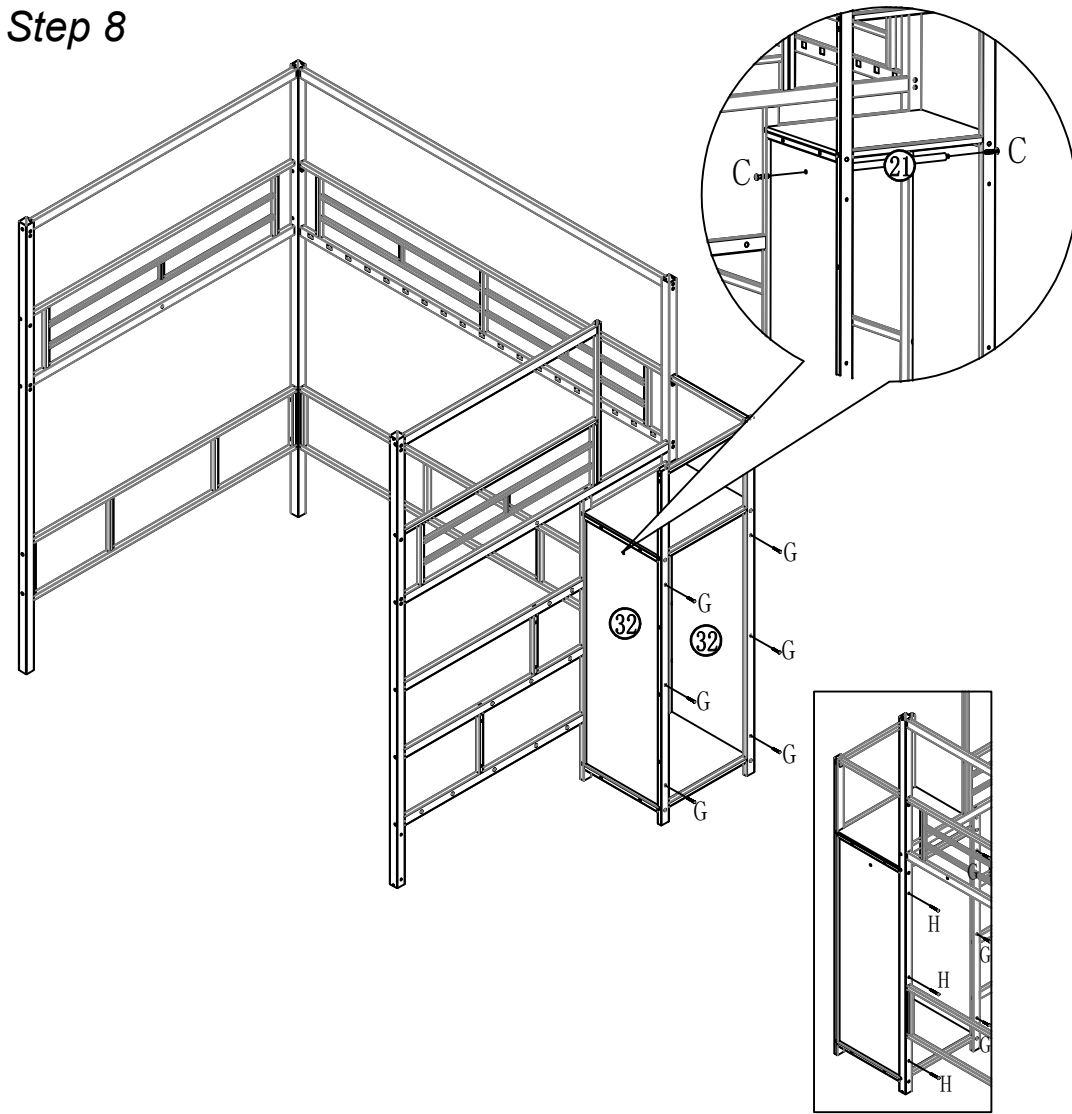


M



L

Step 8



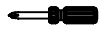
G
4*35-9PCS



H
4*50-3PCS

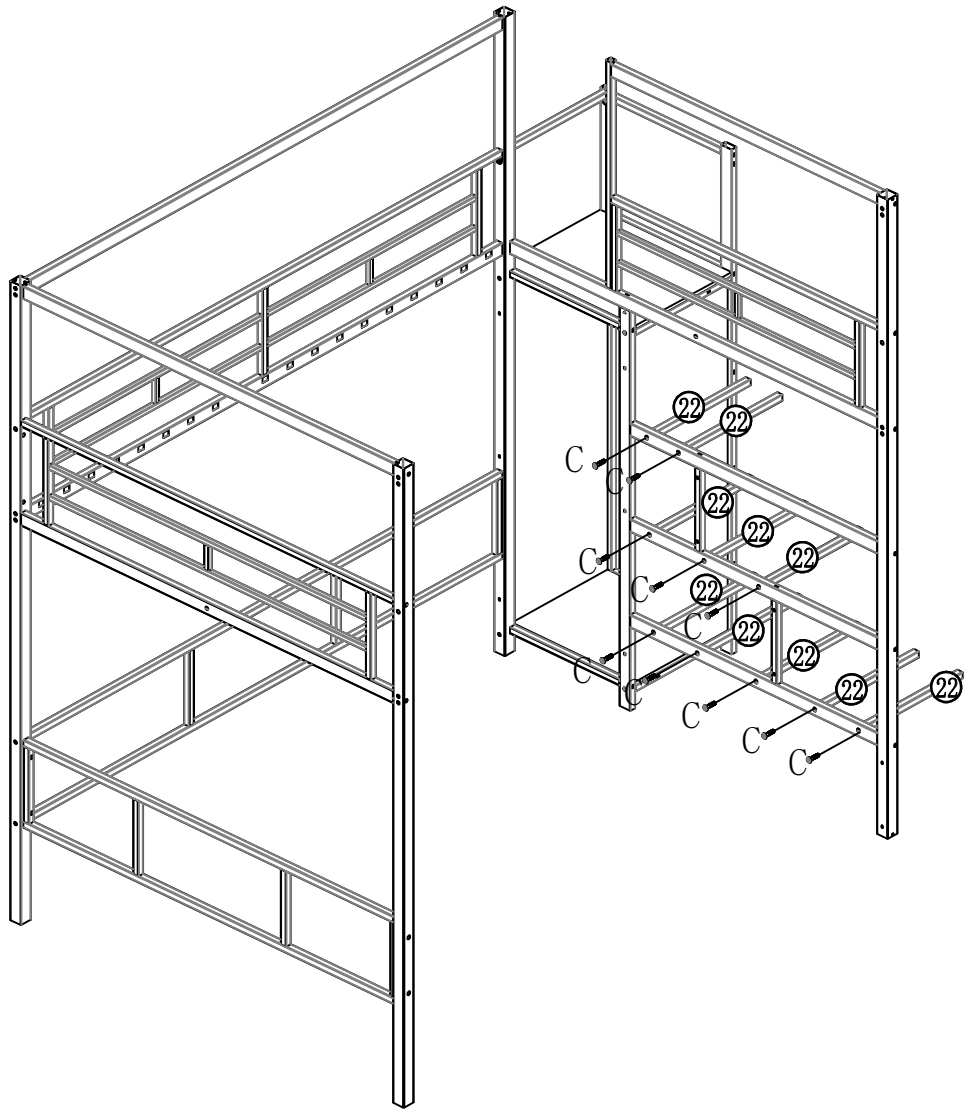


C
8*35-2PCS



M
1PCS

Step 9

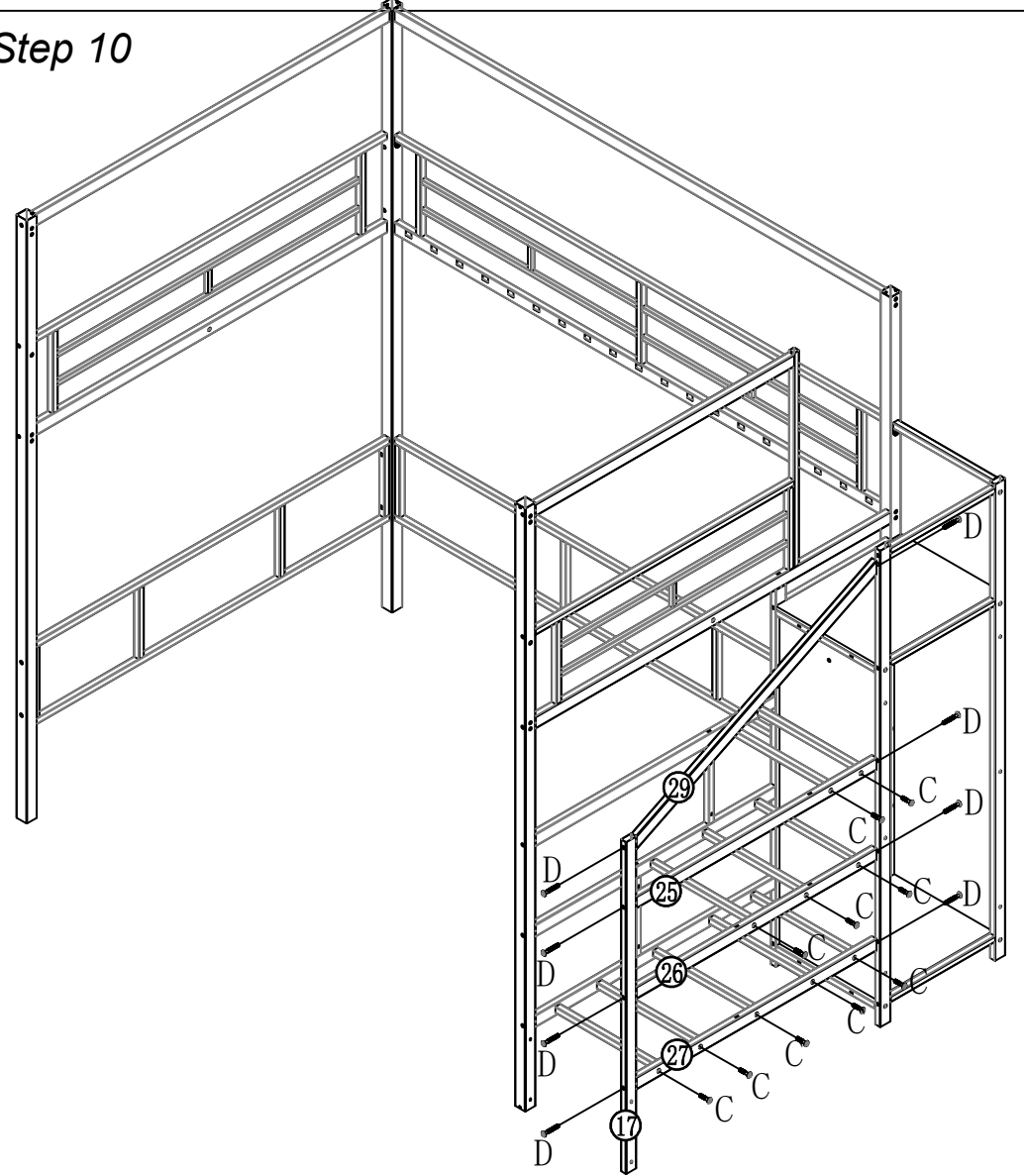


C
8*35-10PCS



L

Step 10



C
8*35-10PCS

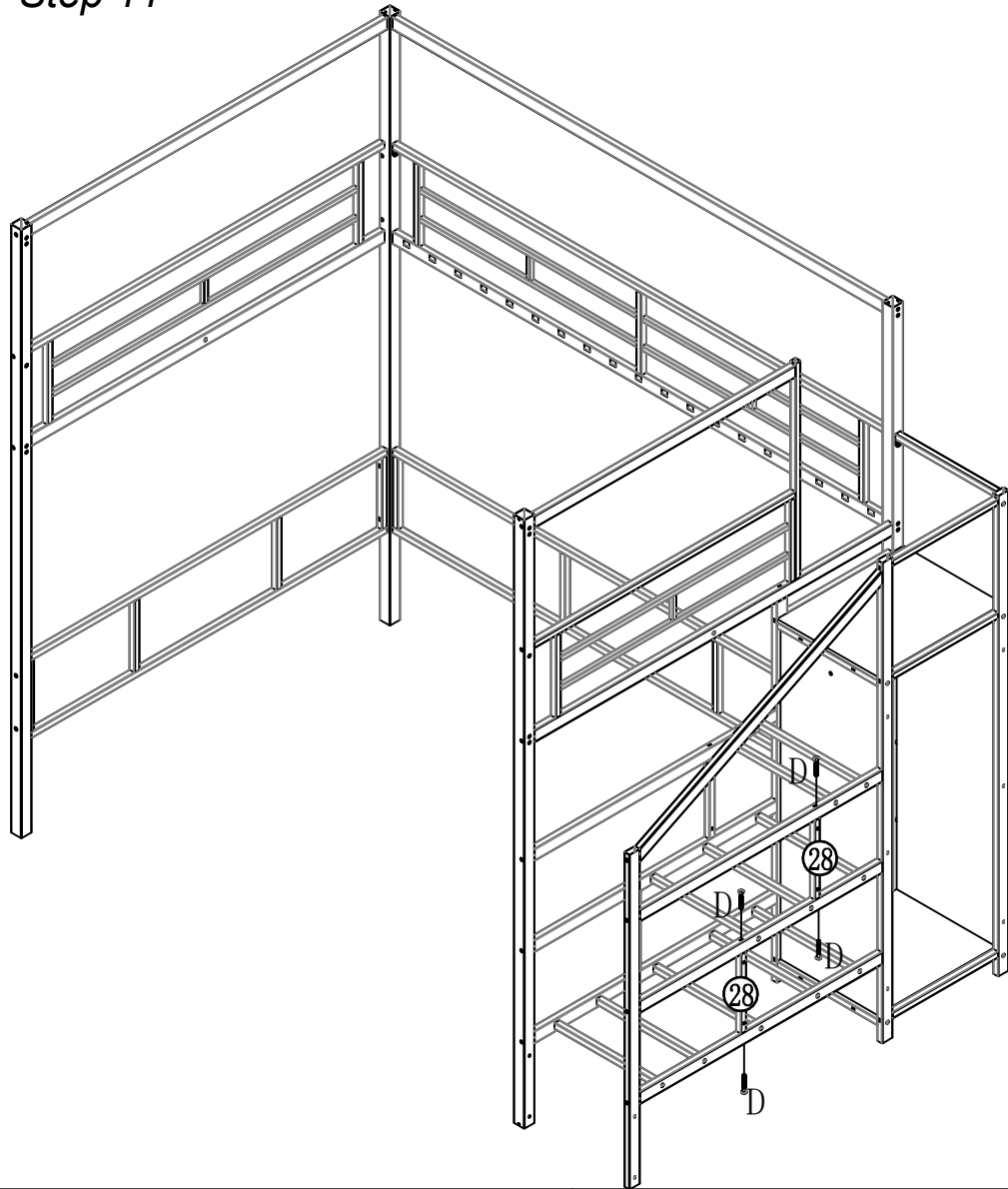


D
8*55-8PCS



L

Step 11

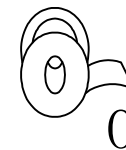
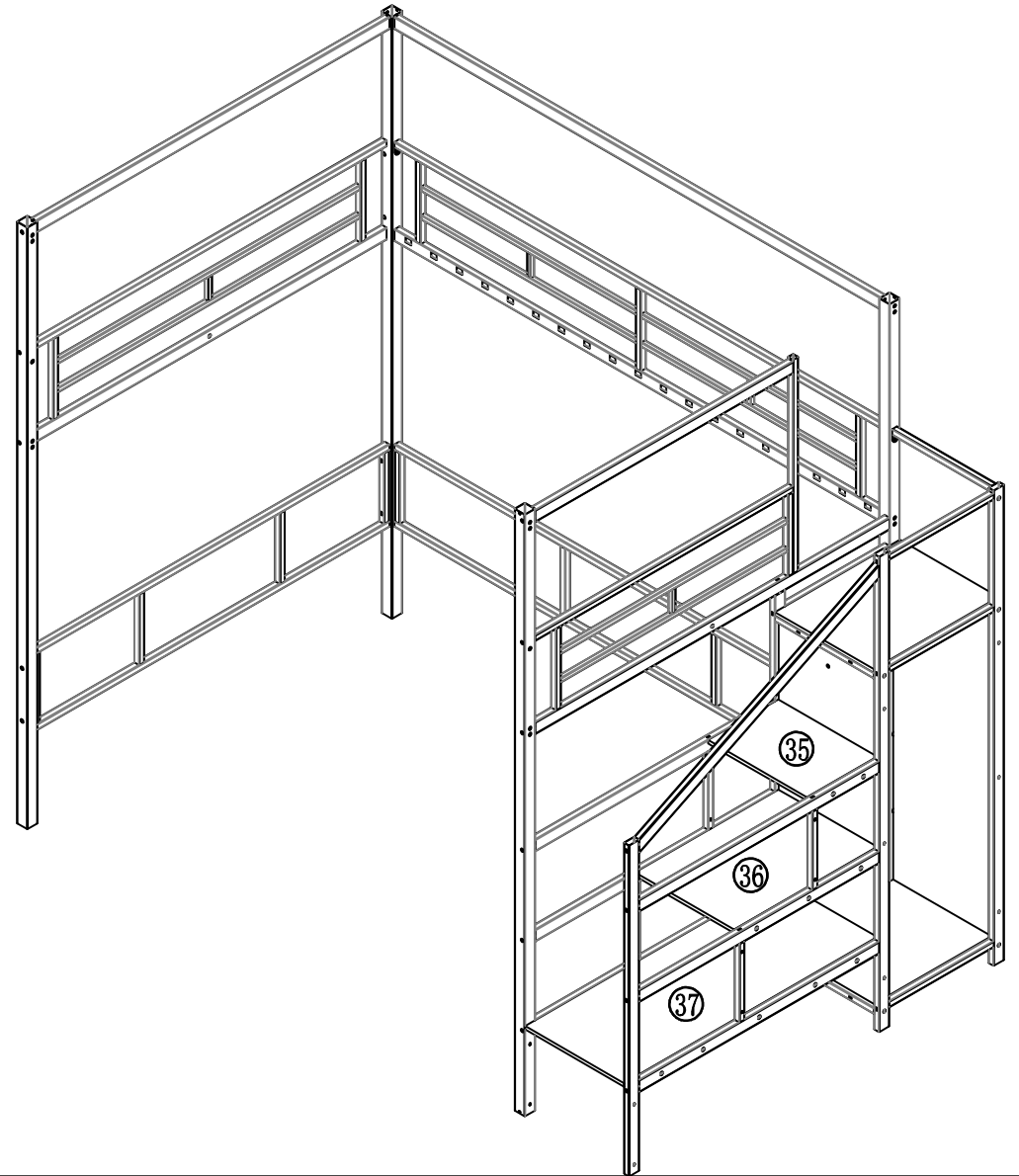


D
8*55-4PCS



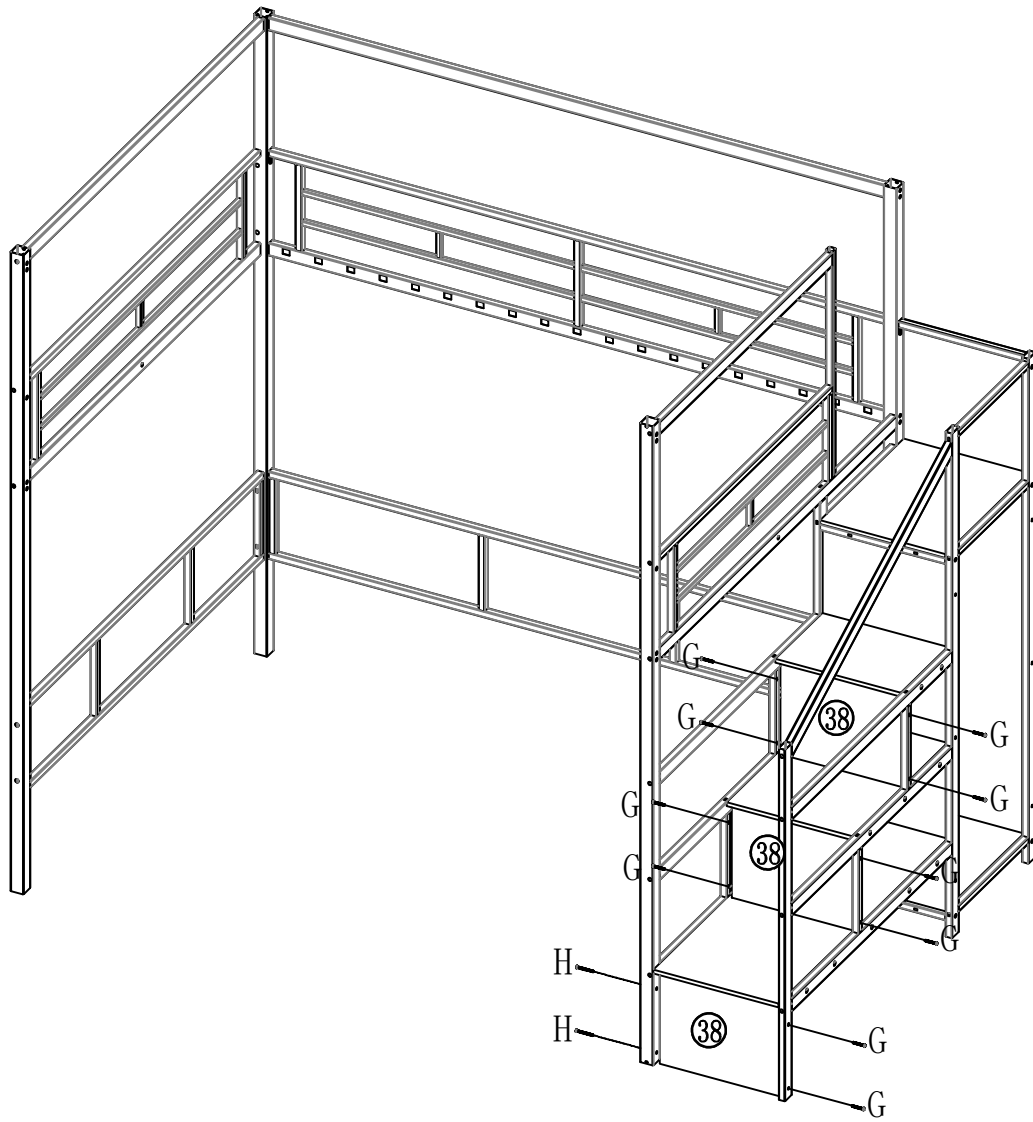
L

Step 12



O

Step 13



G
4*35-10PCS

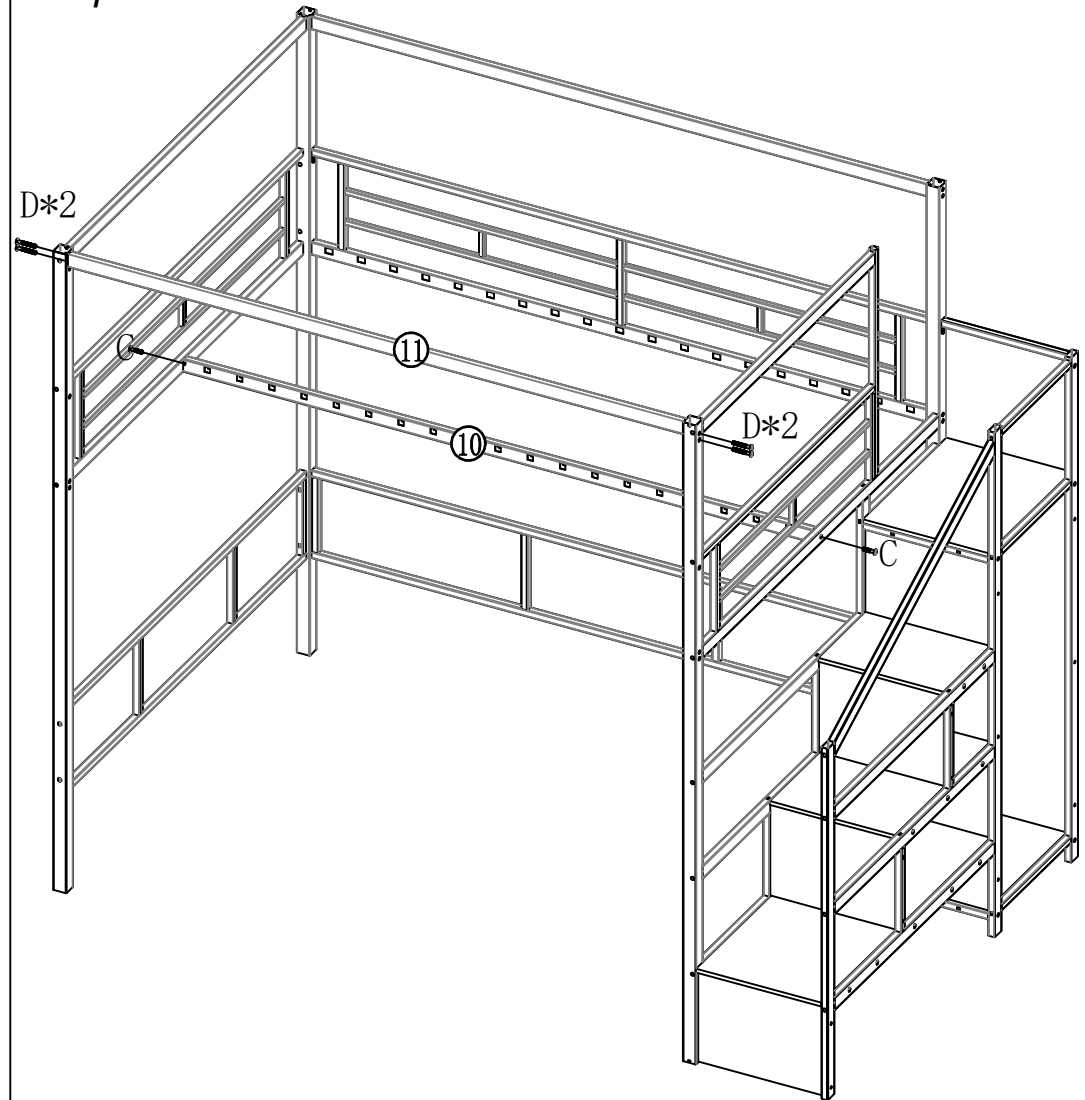


H
4*50-2PCS



M

Step 14



C
8*35-2PCS

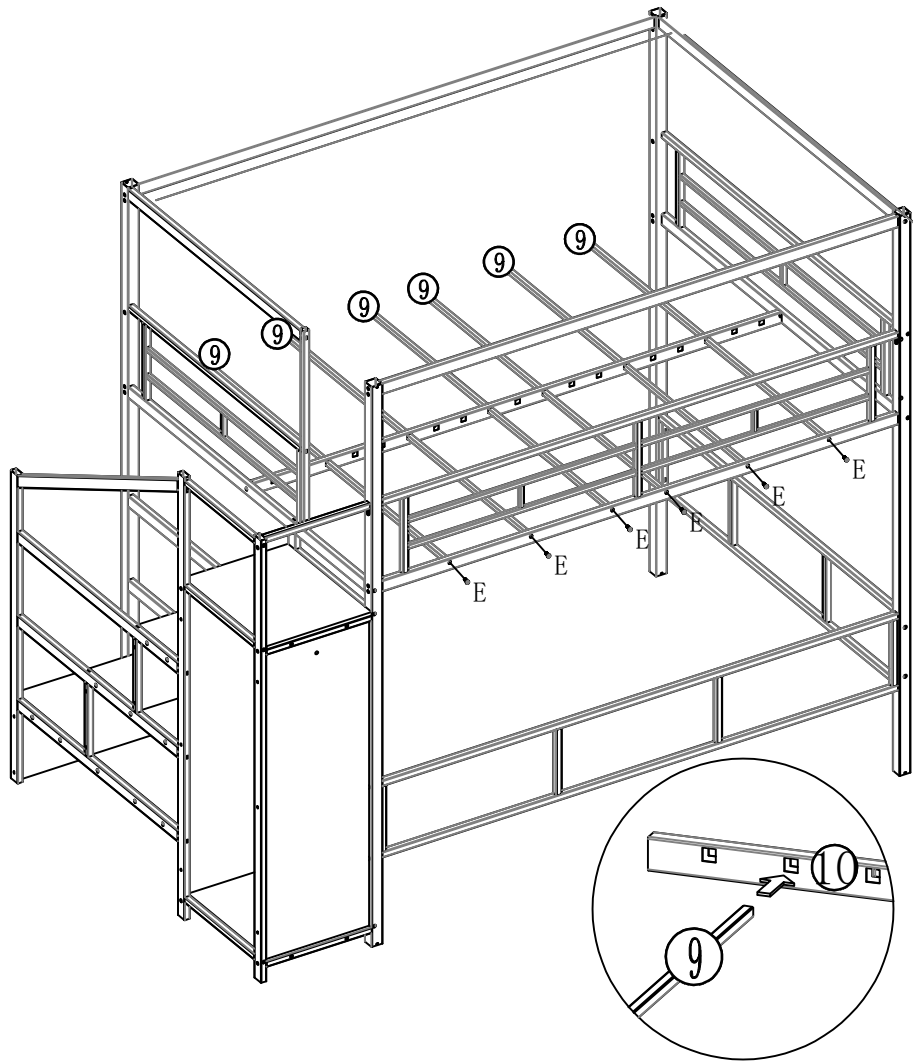


D
8*55-4PCS



L

Step 15

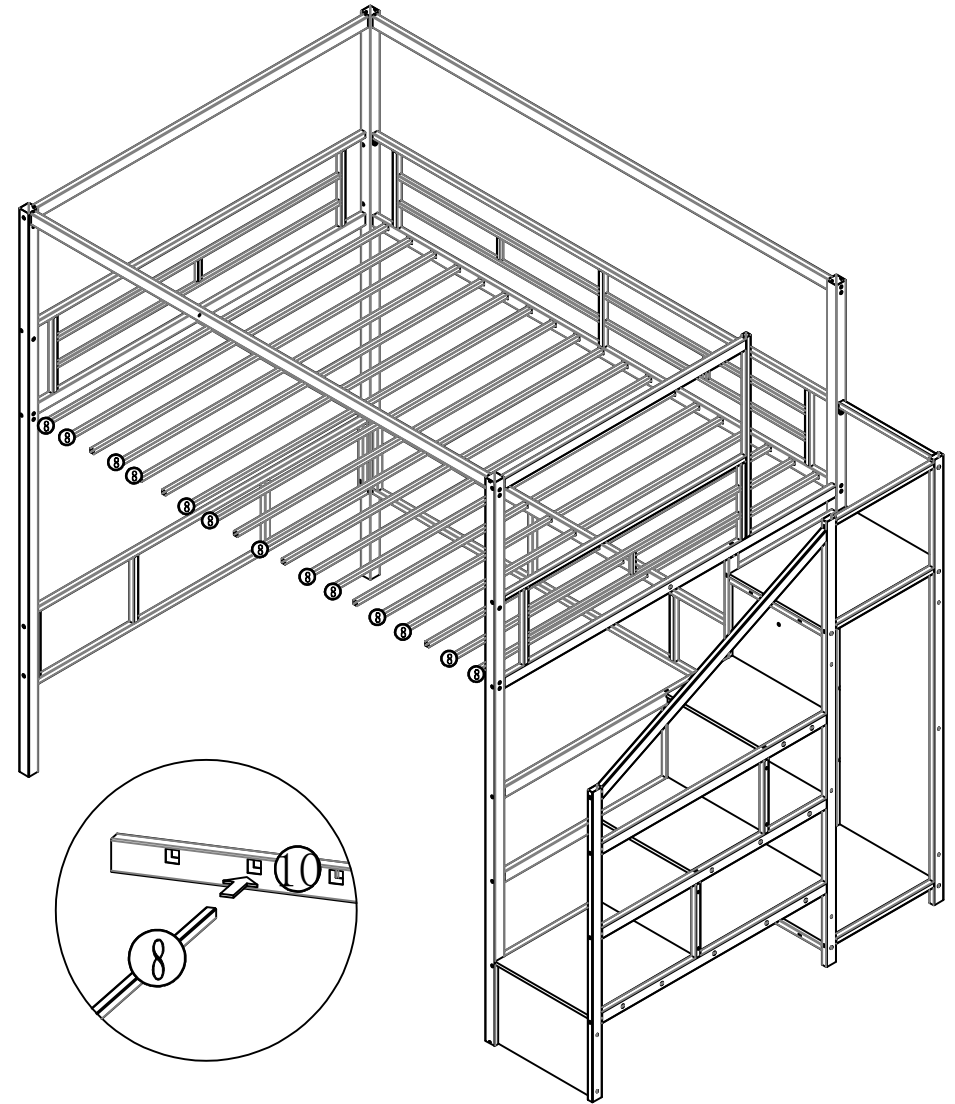


E
6*25-6PCS

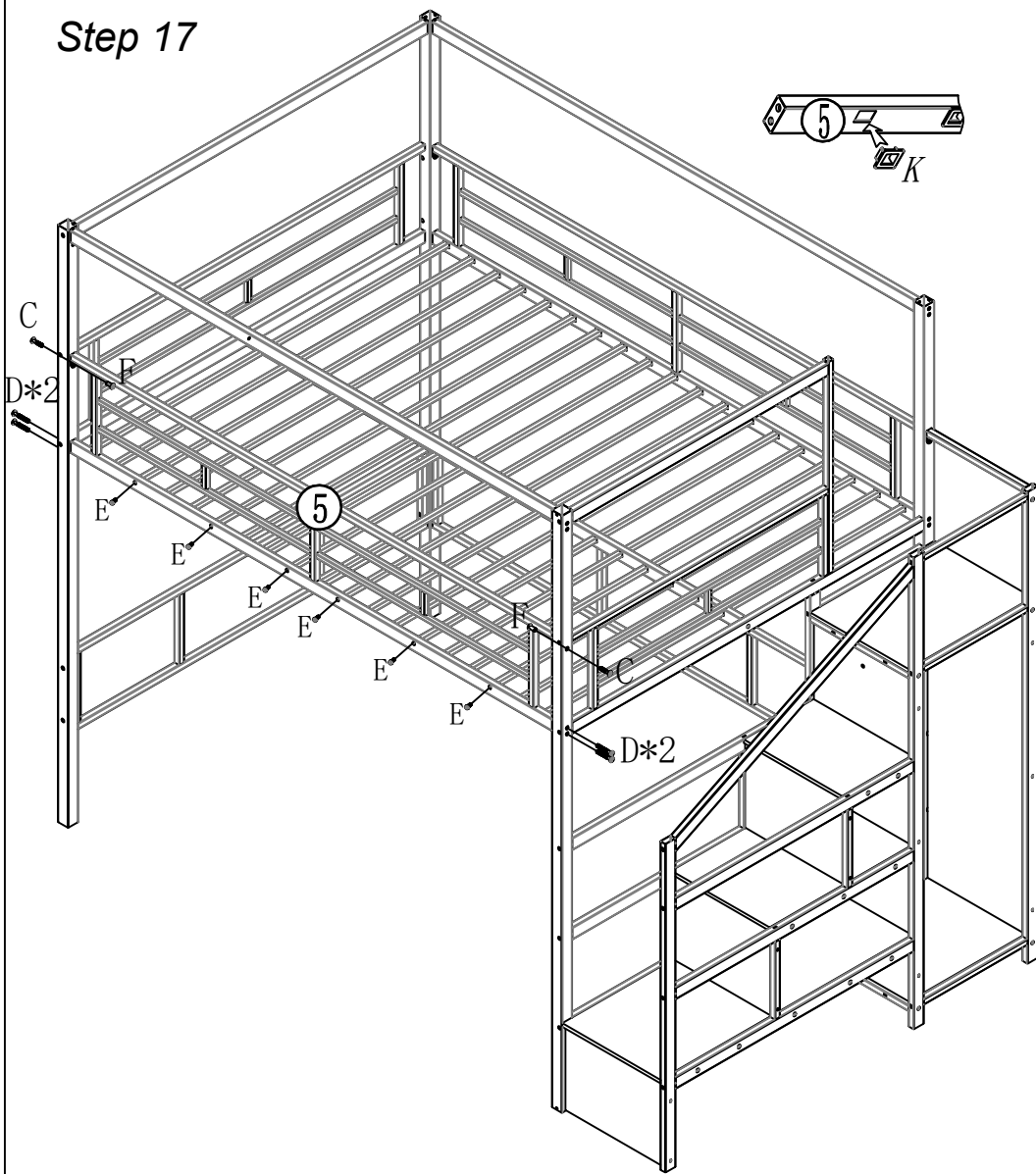


L

Step 16

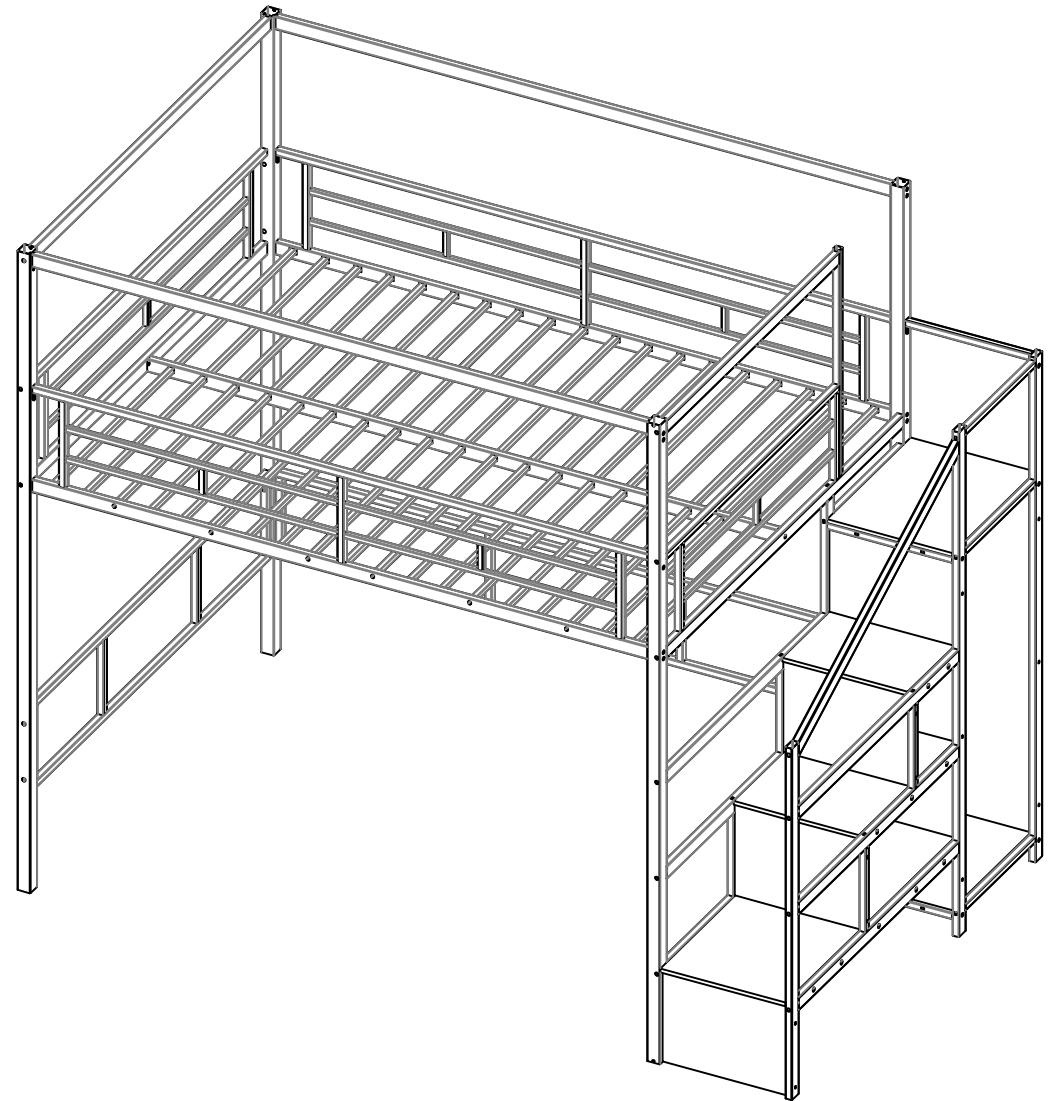


Step 17



Step 18

Completed



C
8*35-2PCS



D
8*55-4PCS



F
8*18-2PCS



E
6*25-6PCS



K-19PCS



L



Attention

*Please tighten all screws before use,
thank you.*