

# ASSEMBLY INSTRUCTIONS



## OFFICE CHAIR

# ASSEMBLY INSTRUCTIONS

## ASSEMBLY TIPS:

1. Remove hardware from box and sort by size.
2. Please check to see that all hardware and parts are present prior to start of assembly.
3. Please follow attached instructions in the same sequence as numbered to assure fast & easy assembly.








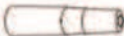
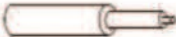


### WARNING !

1. Don't attempt to repair or modify parts that are broken or defective. Please contact the store immediately.
2. This product is for home uses only and not intended for commercial establishments.



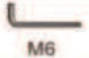




**ASSEMBLY TIME 20 MINUTES**

## PARTS IDENTIFICATION

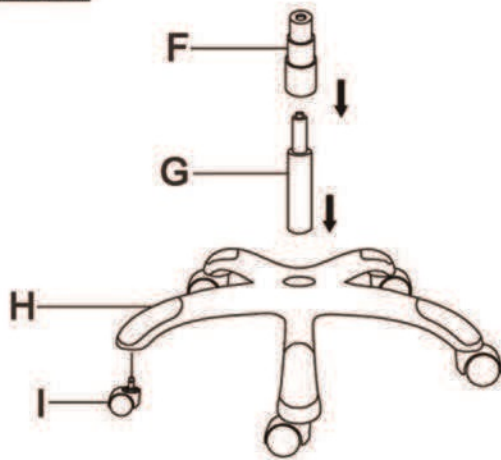
<b>A</b>		<b>BACK</b>	<b>1PC</b>
<b>B</b>		<b>SEAT</b>	<b>1PC</b>
<b>C</b>		<b>RIGHT ARMREST</b>	<b>1PC</b>
<b>D</b>		<b>LEFT ARMREST</b>	<b>1PC</b>
<b>E</b>		<b>MECHANISM</b>	<b>1PC</b>
<b>F</b>		<b>GAS LIFT COVER</b>	<b>1PC</b>
<b>G</b>		<b>GAS LIFT</b>	<b>1PC</b>
<b>H</b>		<b>BASE</b>	<b>1PC</b>
<b>I</b>		<b>CASTER</b>	<b>5PCS</b>

## HARDWARE IDENTIFICATION

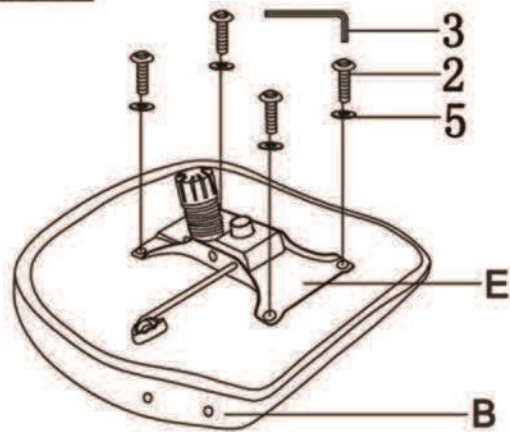
1	LONG BOLT	 M6*30	8PCS
2	SHORT BOLT	 M6*20	4PCS
3	ALLEN WRENCH	 M6	1PC
4	MEDIUM BOLT CAP		8PCS
5	WASHER	 M6*18*1.2	4PCS

# ASSEMBLY INSTRUCTIONS

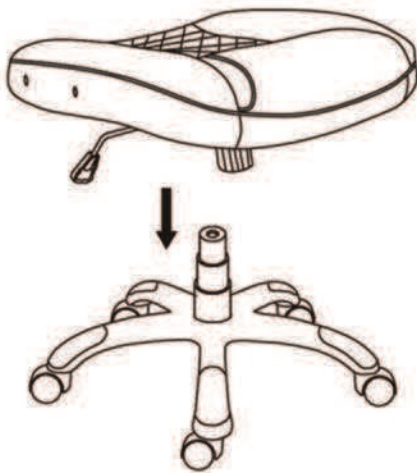
## STEP 1



## STEP 2



## STEP 3



## STEP 4



## STEP 5



## STEP 6



# ASSEMBLY INSTRUCTIONS

## STEP 7

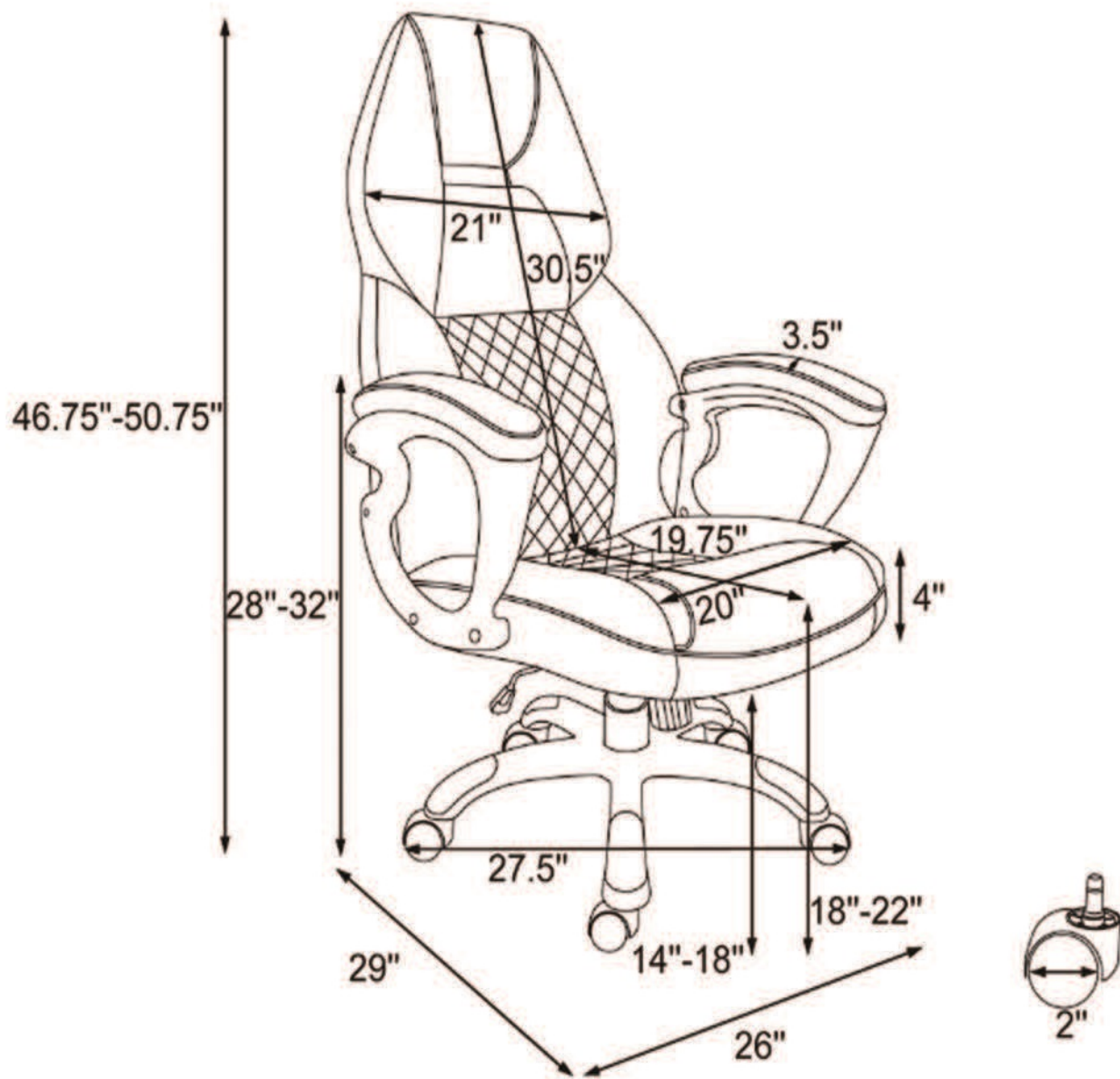


## STEP 8



## STEP 9





**Note : Dimension tolerance  $\pm 5\%$**