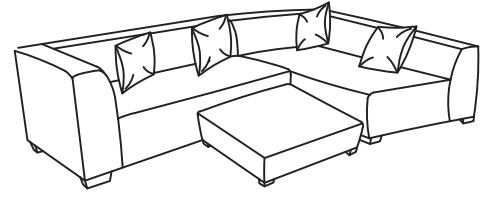


# Sectional Assembly Instructions

Your sectional comes packaged in three boxes.

**DO NOT use any sharp objects to open plastic wrapped components as damage to product or components may result.**

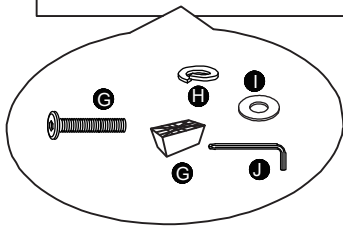
Carefully remove all of the components from the packaging and set aside for assembly. Assemble on a soft surface to prevent scratching the finish.



Parts List		Hardware List	
<b>A</b> 2 x Backs		<b>E</b> 4 x Pillows	
<b>B</b> 2 x Arms		* <b>F</b> 12 x Legs	
<b>C</b> 2 x Seats		* <b>G</b> 34 x Bolts	M8 x 70mm
<b>D</b> 1 X Ottoman Top		* <b>H</b> 22 x Lock Washers	M8
		* <b>I</b> 22 x Flat Washers	M6
		* <b>J</b> 2 x Hex Key	M5 x 80mm
		* Replaceable Parts	

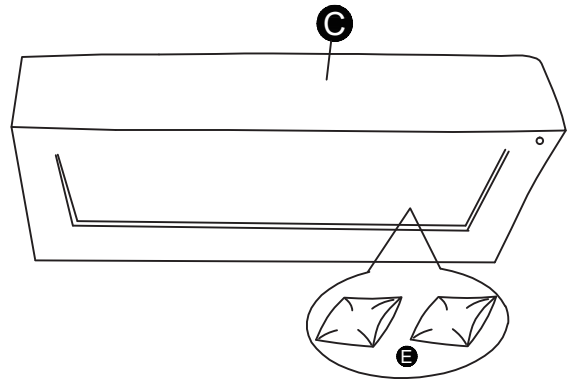
## Assembly

### Step 1



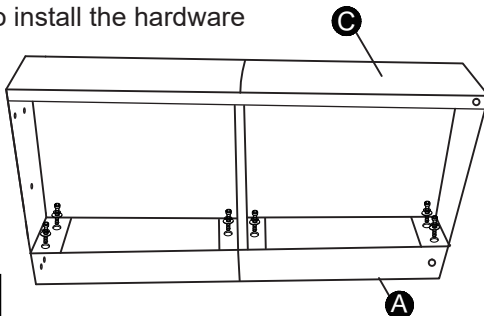
### Step 2

Sofa x2

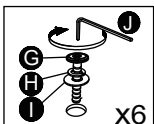


### Step 3

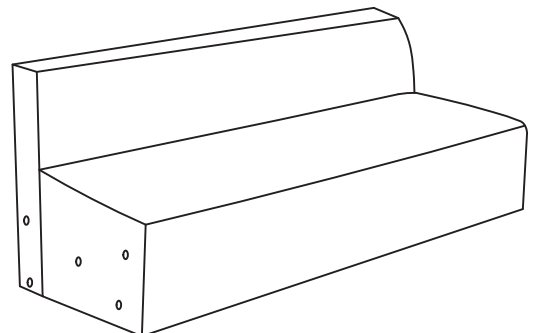
Open the zipper under the seat to install the hardware



Loosely attach all bolts before fully tightening.



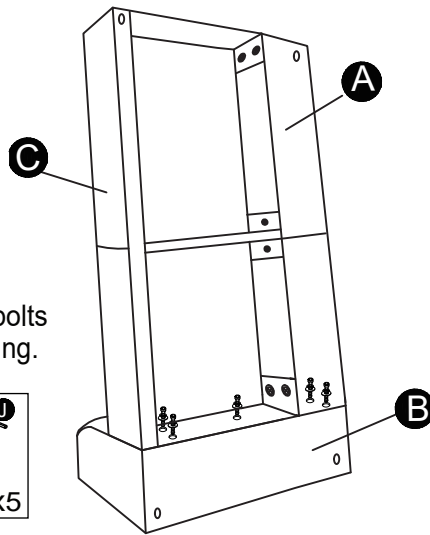
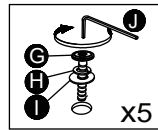
### Step 4



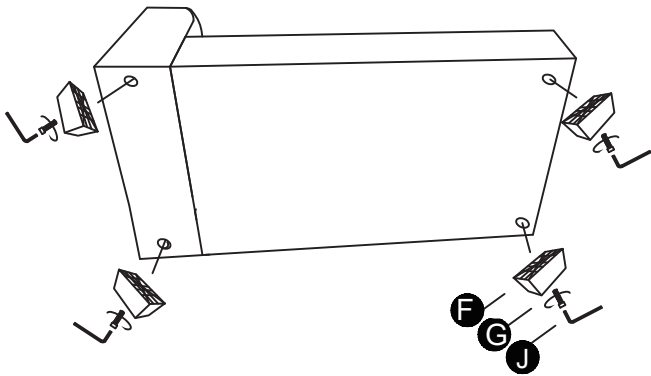
# Assembly

## Step 5

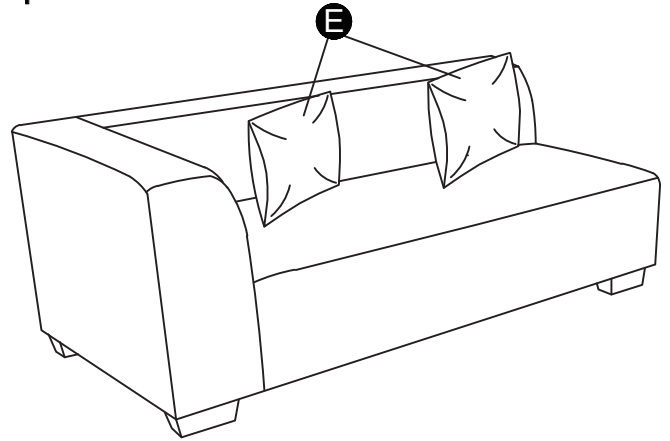
Loosely attach all bolts before fully tightening.



## Step 6

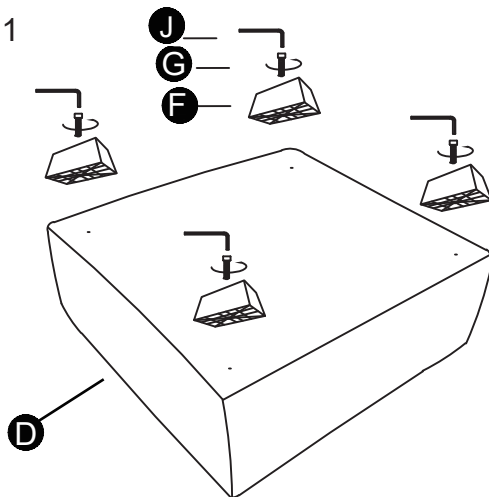


## Step 7

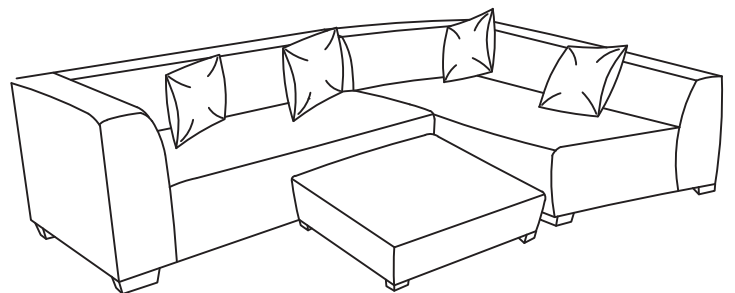


## Step 8

Ottoman x 1



## Step 9



Your style may differ from images. Care for your furniture by periodically tightening all bolts using the included hex key.

**CAUTION:** Tighten all components securely before use. Failure to do so may result in personal injury.

About your furniture piece:

- Softening of foam is natural and will happen over time with use.
- Fabric will fade or discolor in direct sunlight. Minimize exposure to direct sunlight to extend the life of your furniture.
- Wood grain, knots, streaks, and color variation occur naturally in wood and are not considered defects.