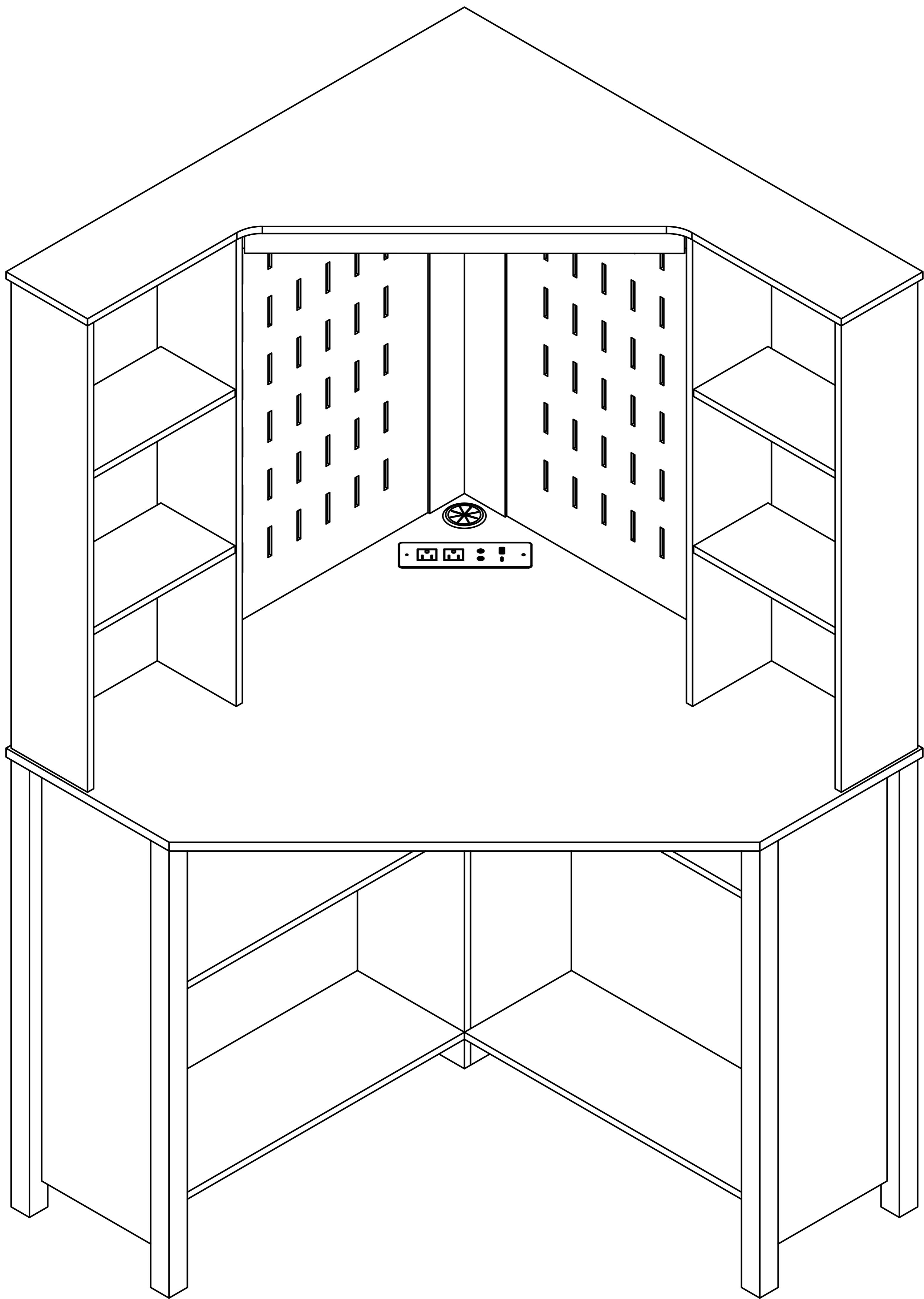
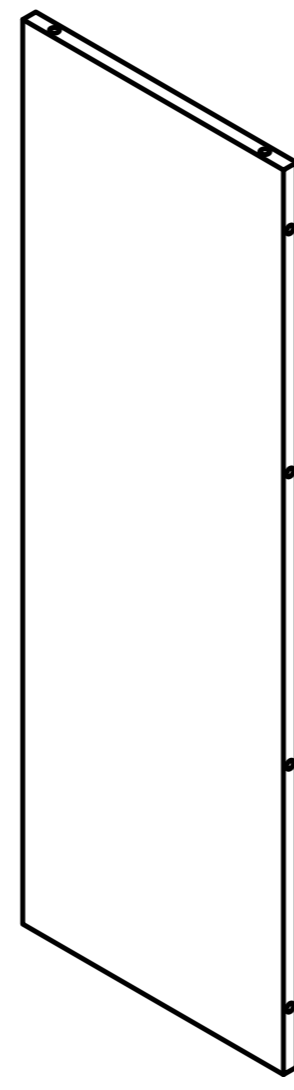


Product Installation Instructions

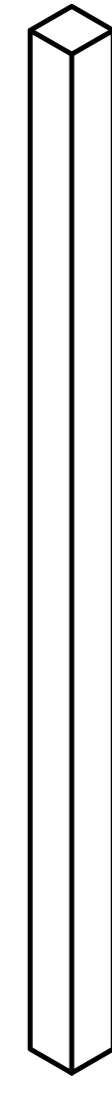




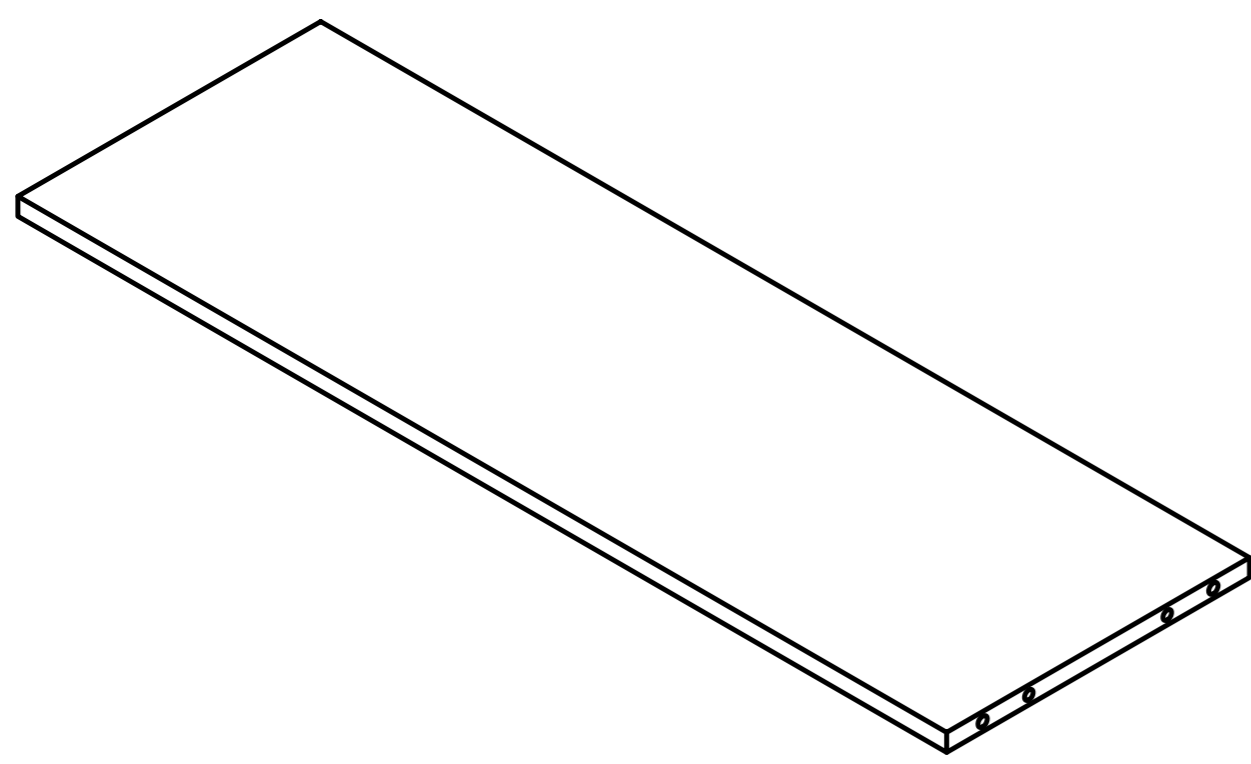
Ax1



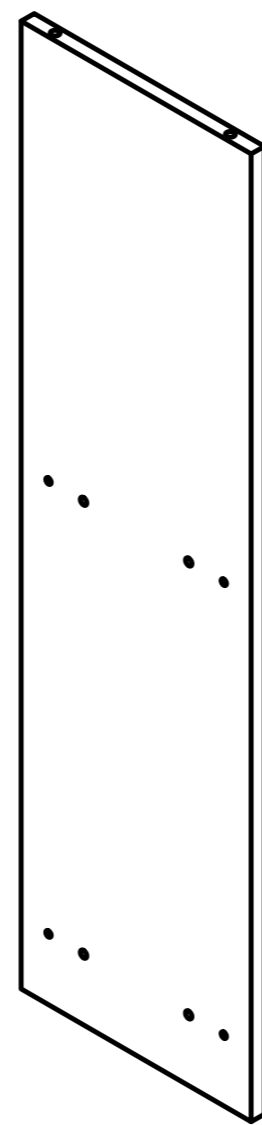
Bx1



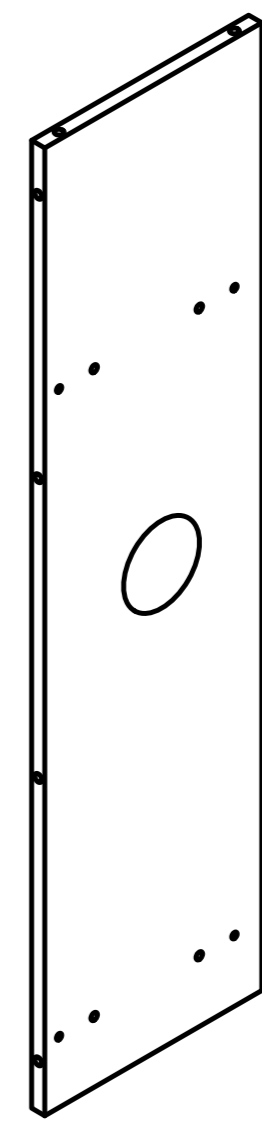
Cx1



Dx4



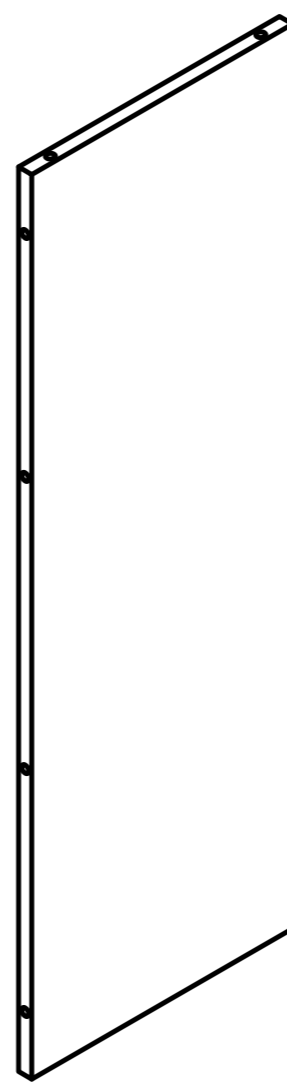
Ex1



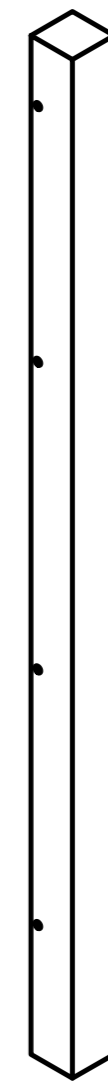
Fx1



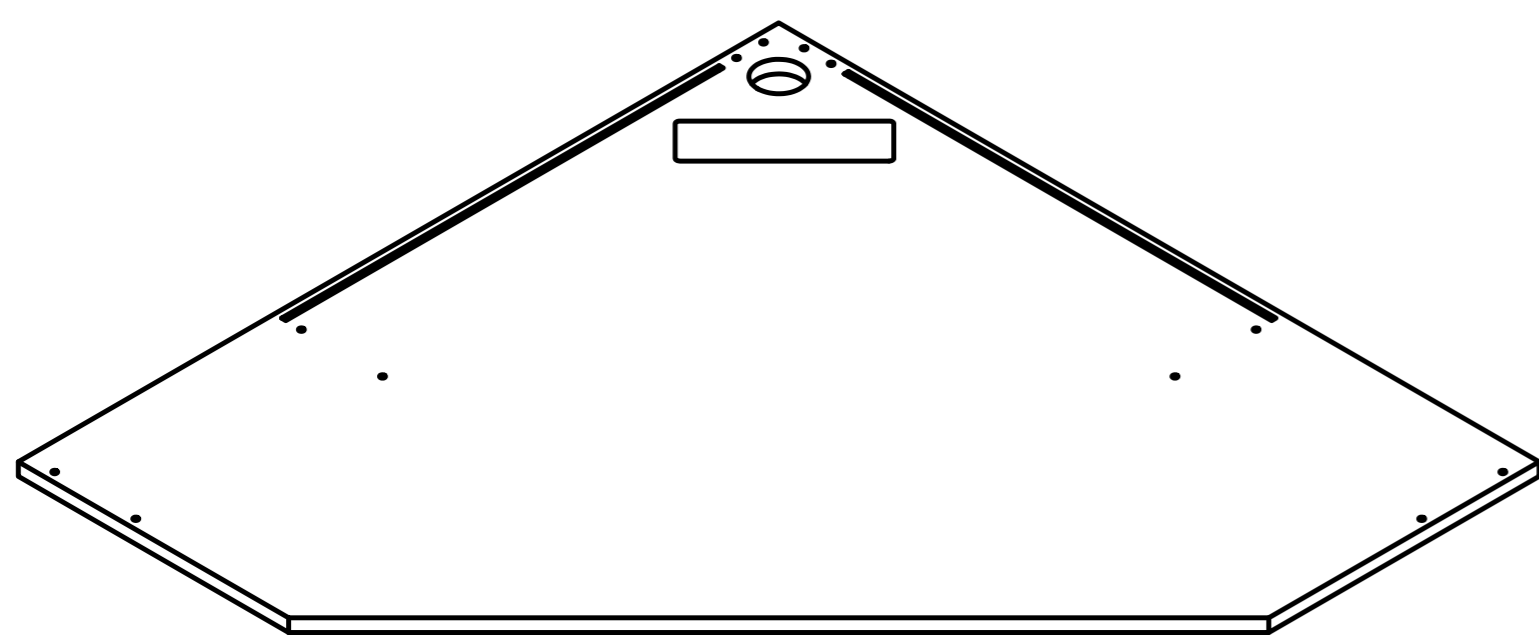
Gx1



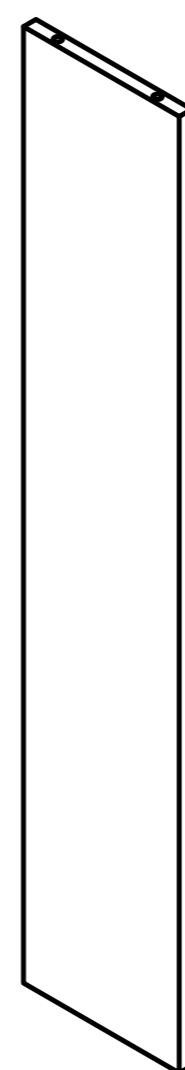
Hx1



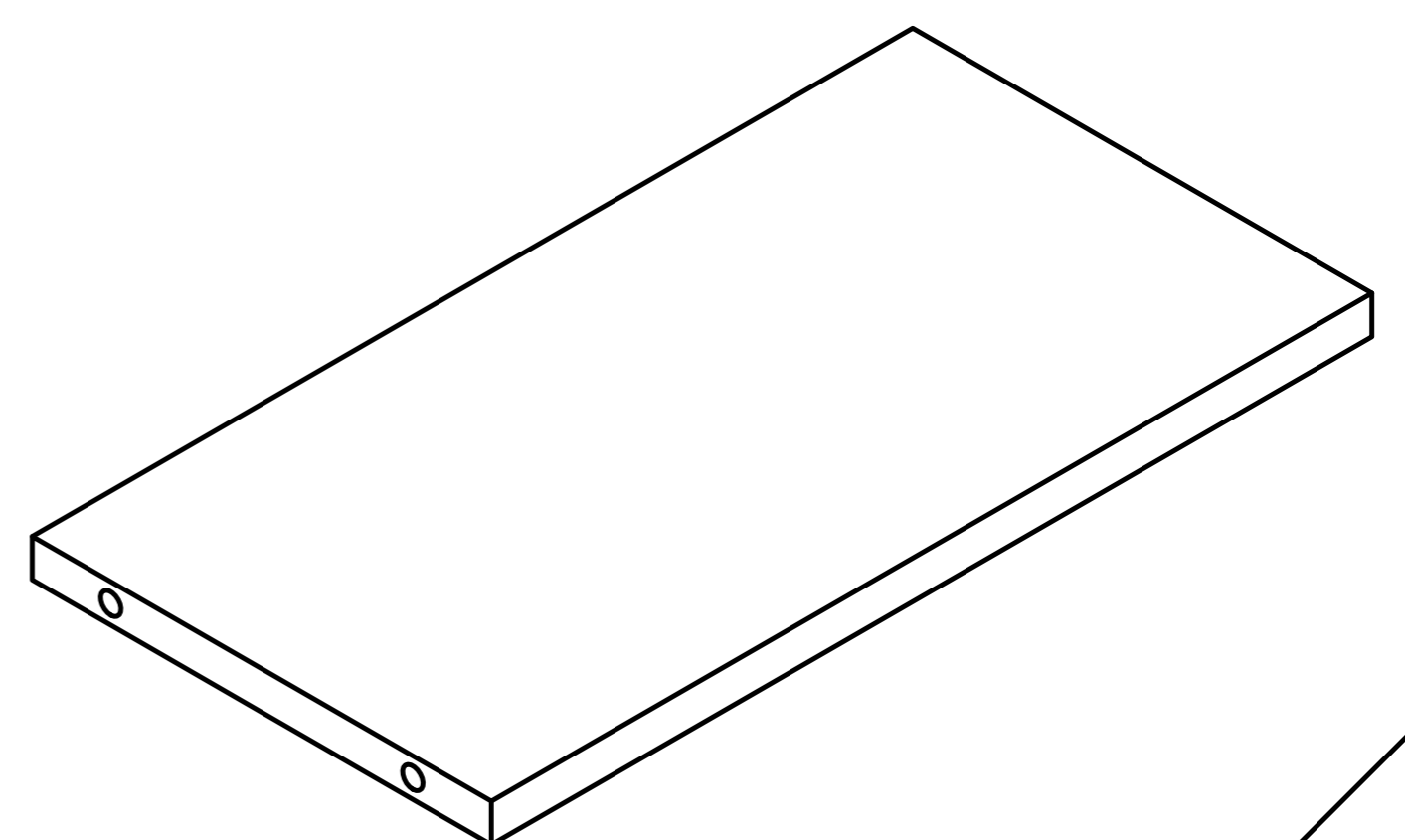
Ix1



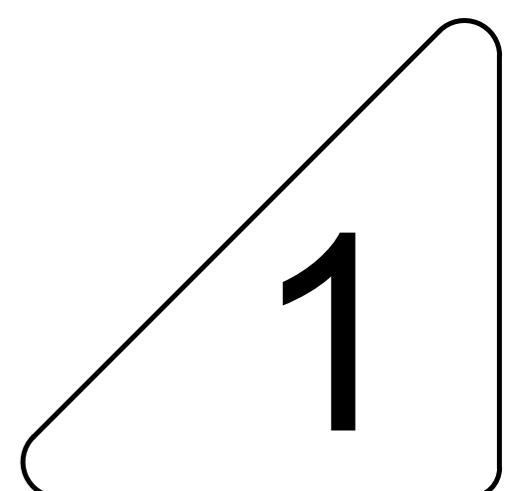
Jx1



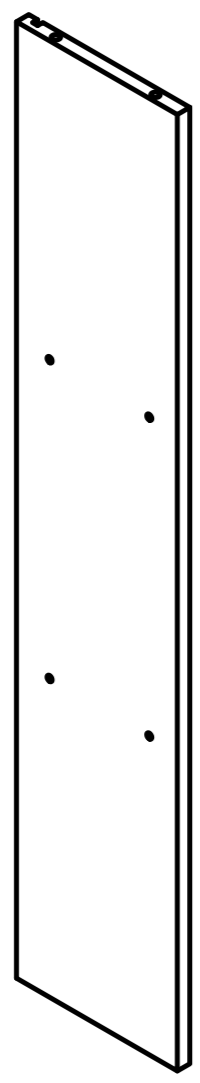
Kx2



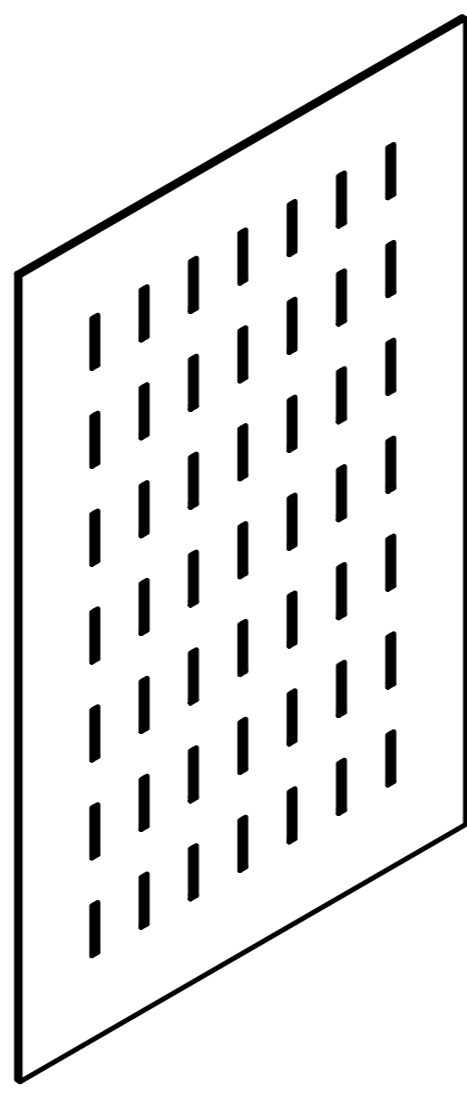
Lx4



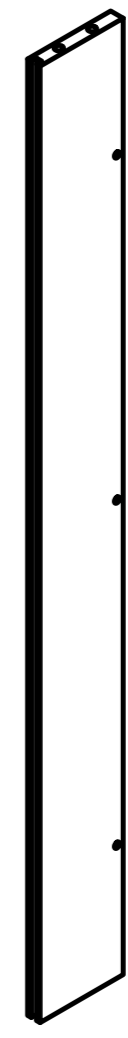
1



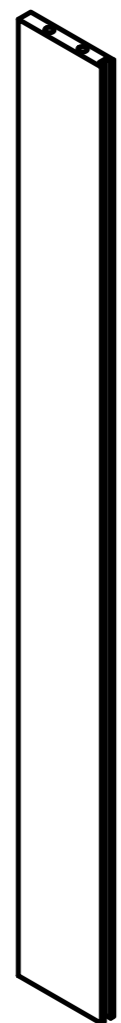
Mx2



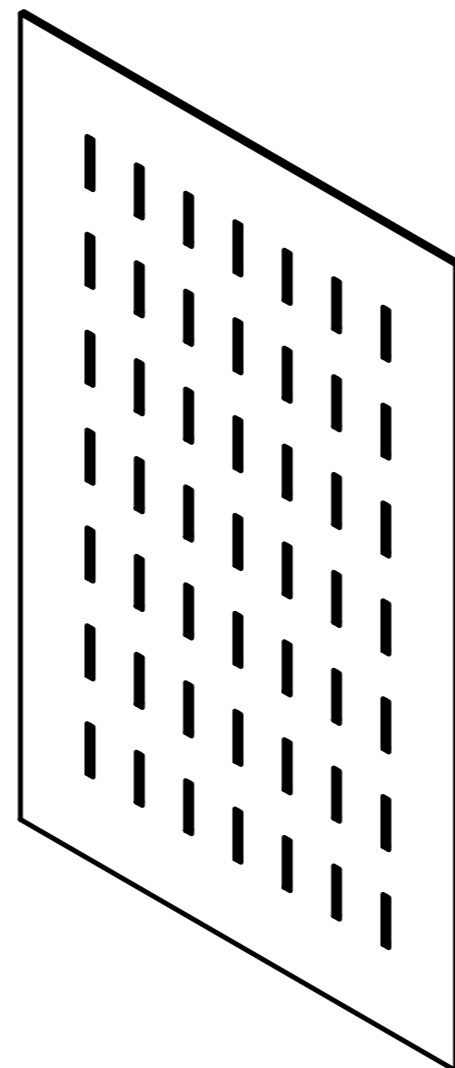
Nx1



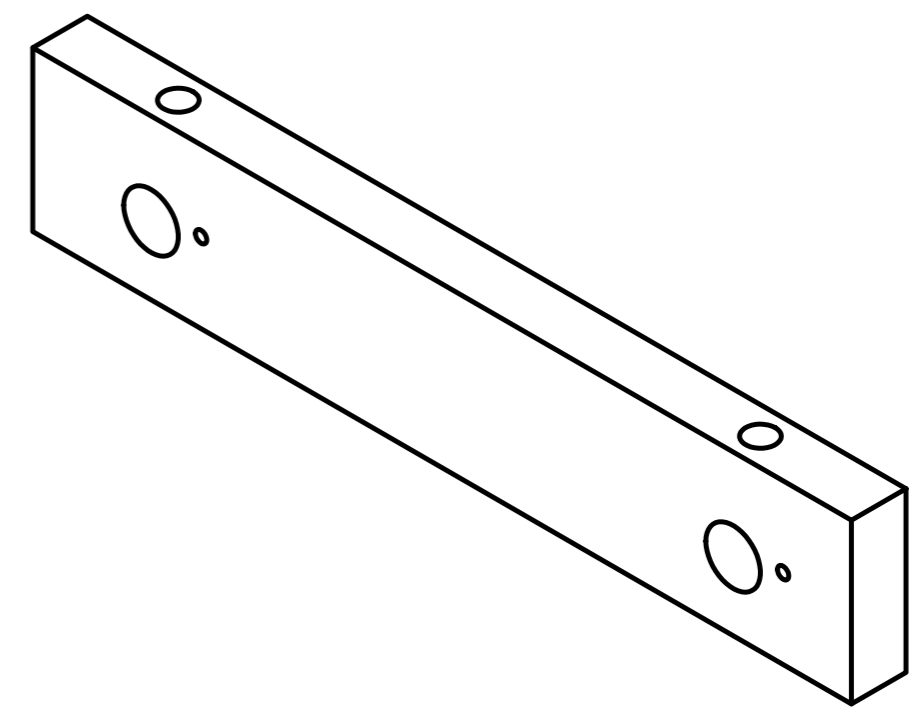
Ox1



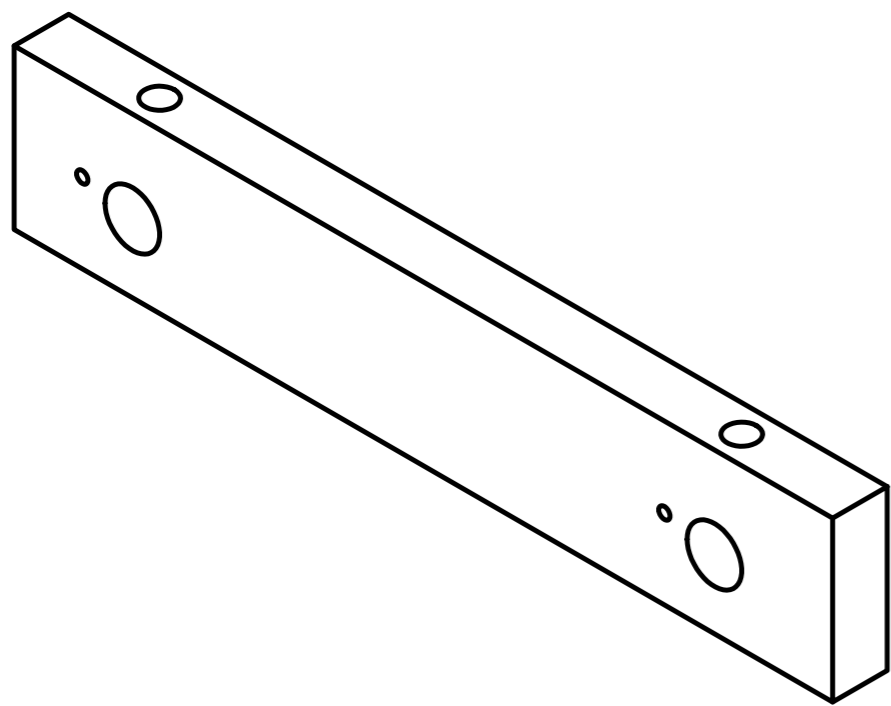
Px1



Qx1



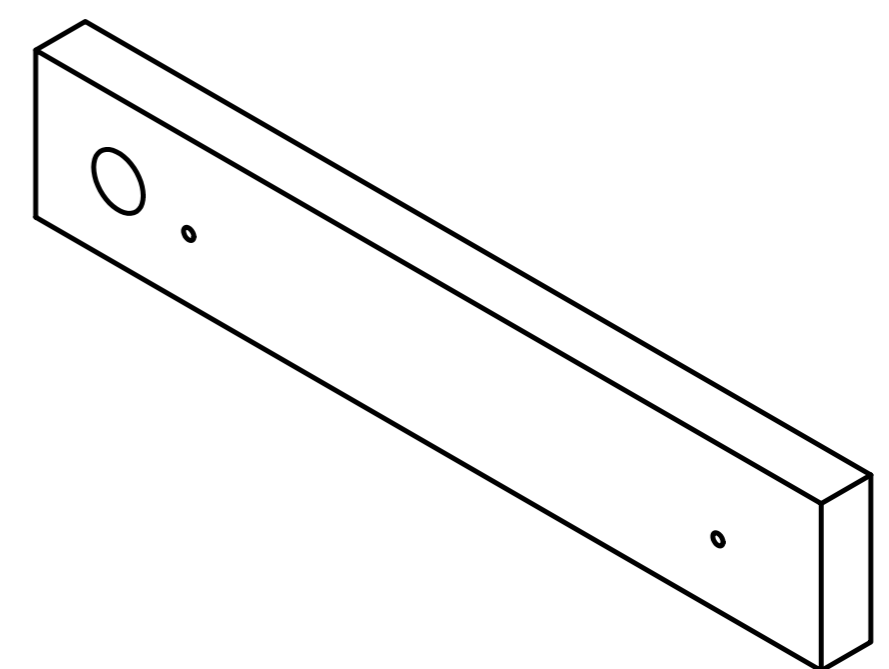
Rx1



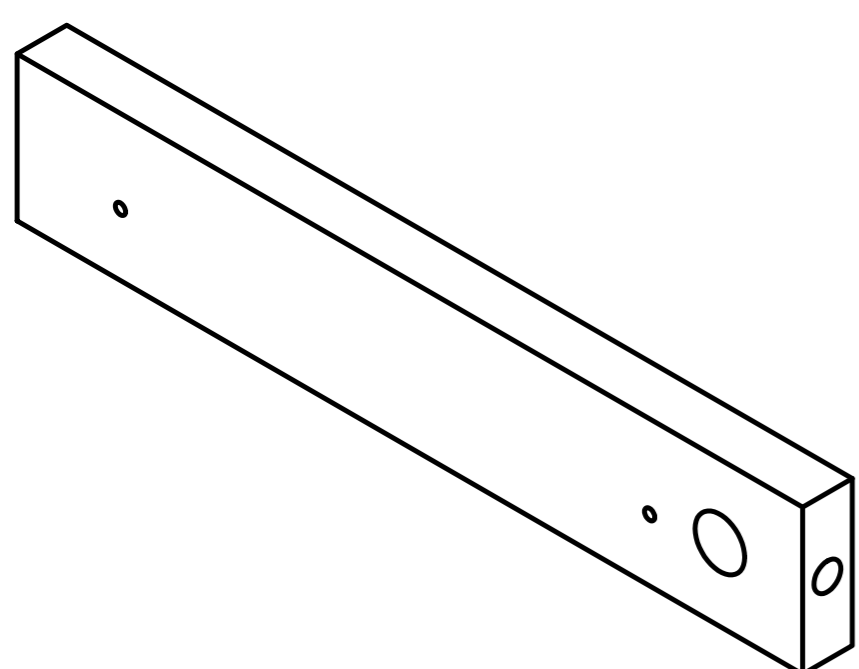
Sx1



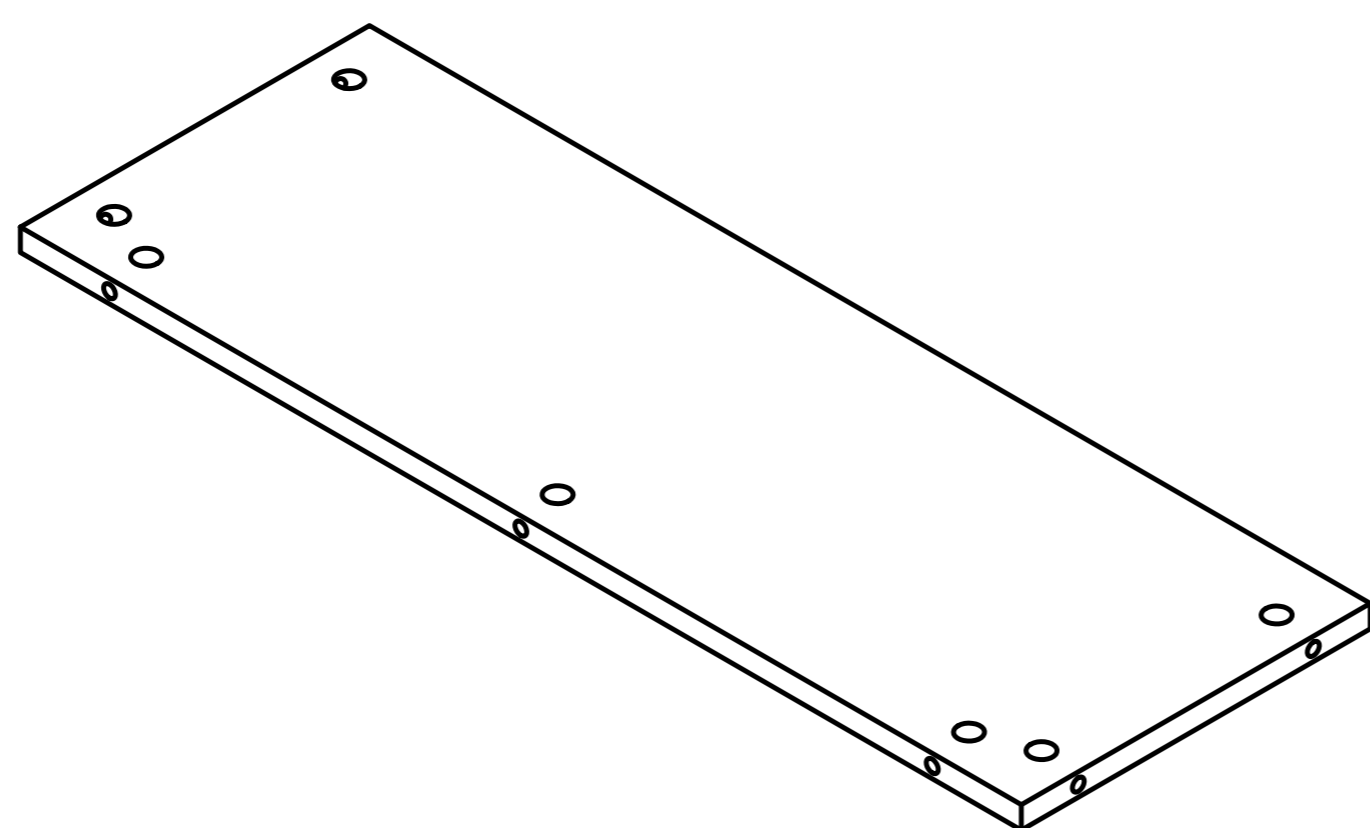
Tx1



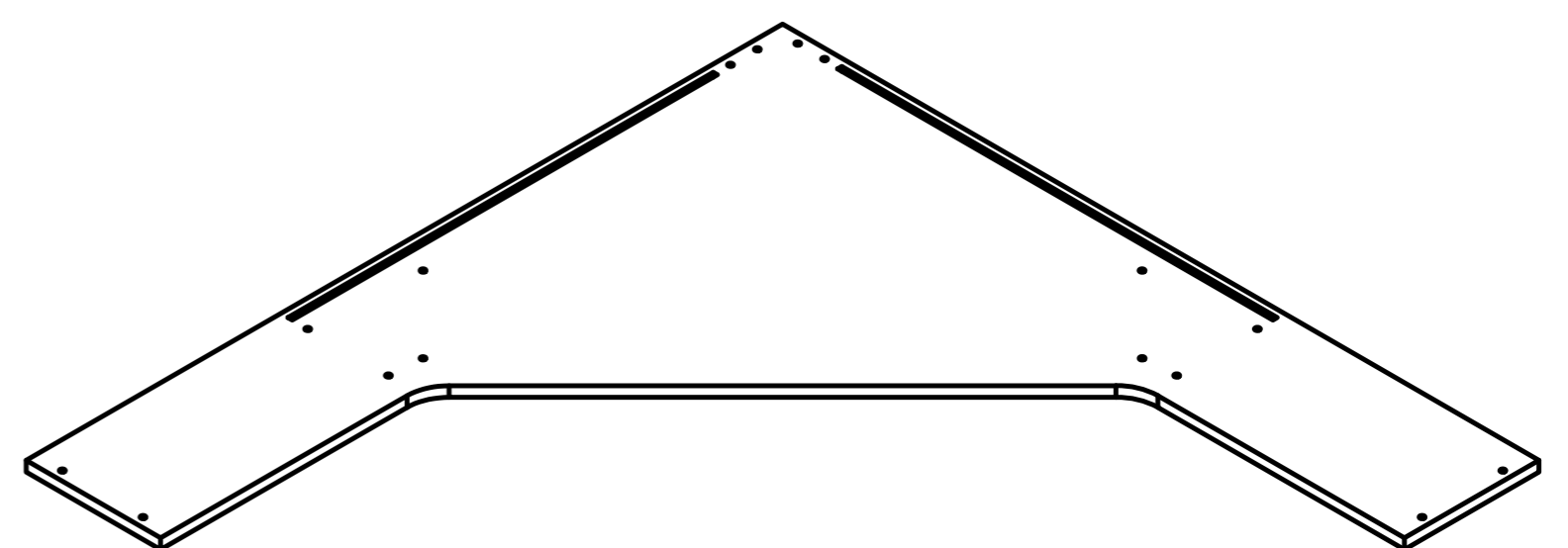
Ux1



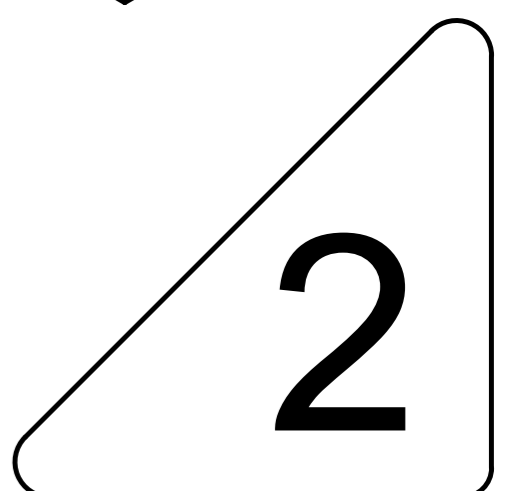
Vx1



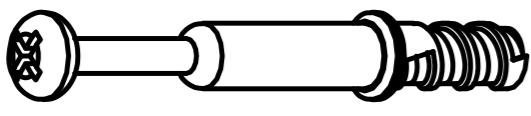
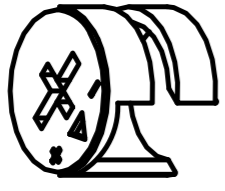

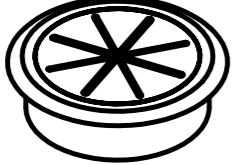
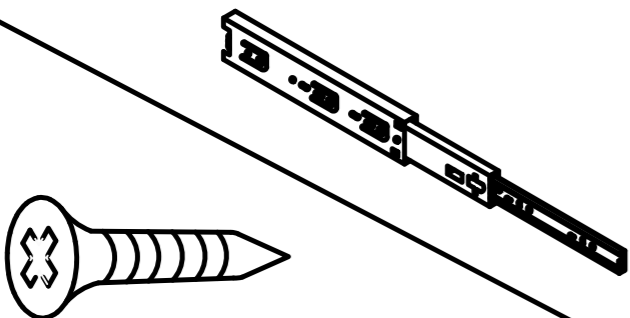
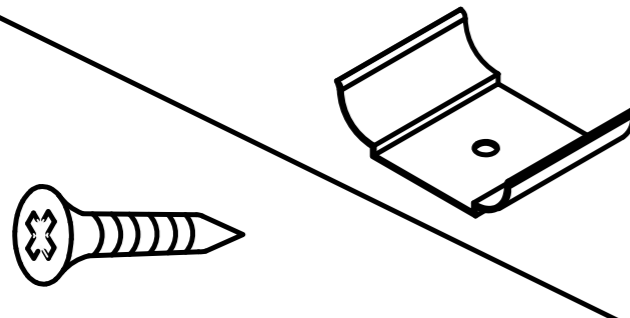
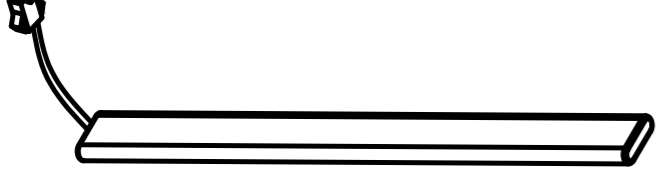
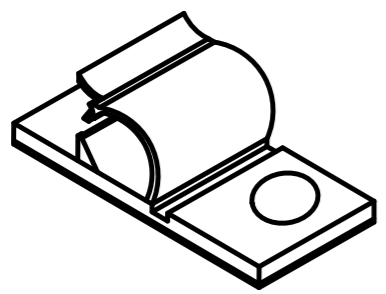
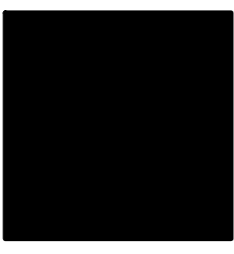

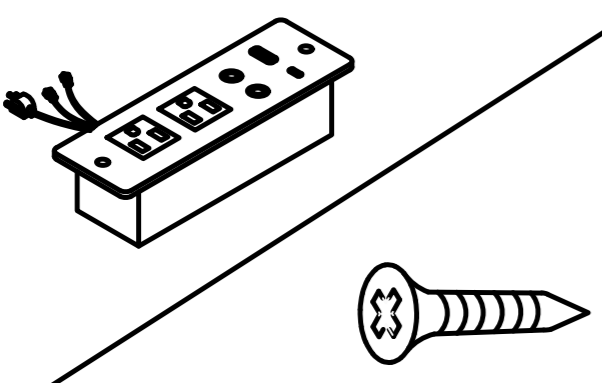
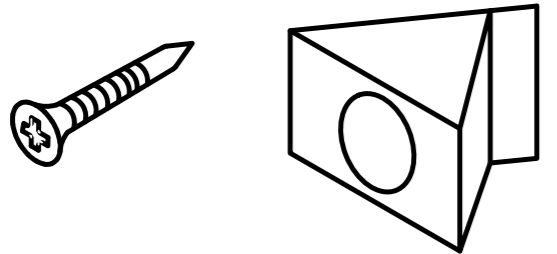
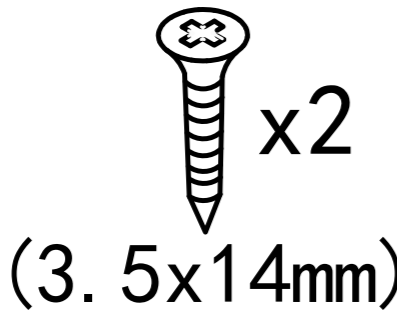


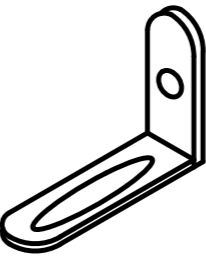
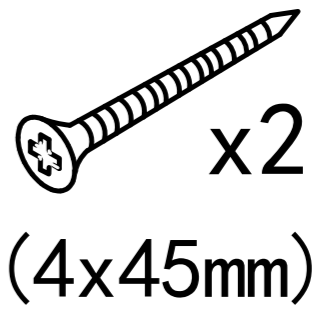
Wx1

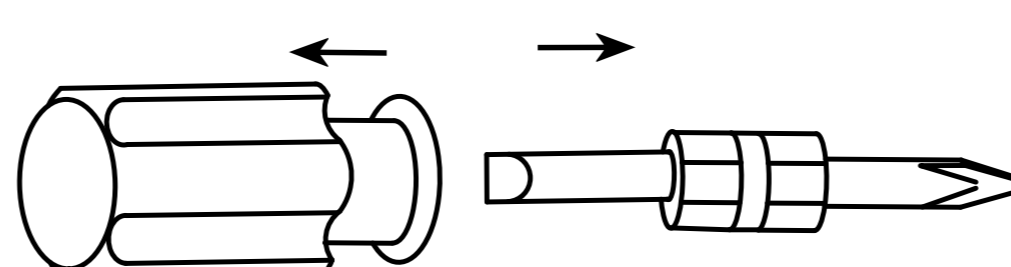
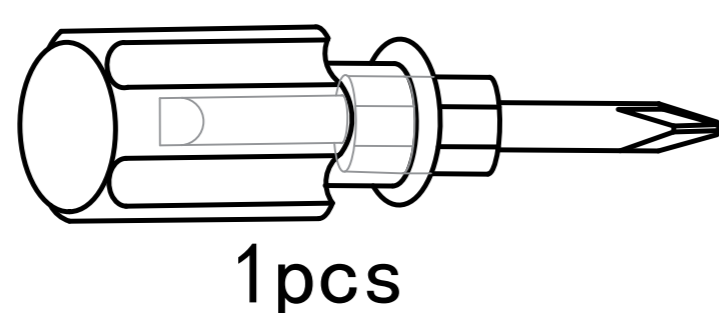


Xx1

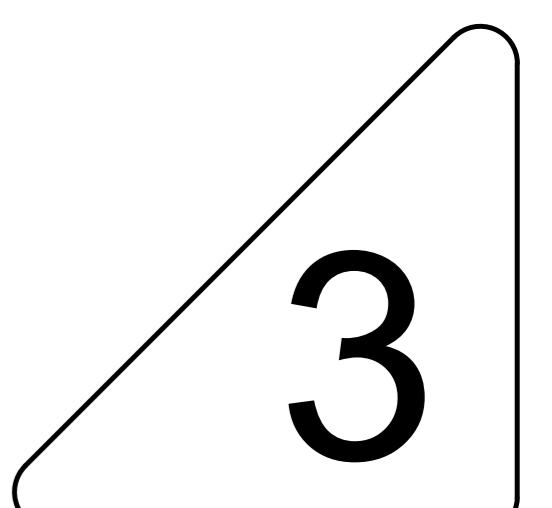


Accessories list

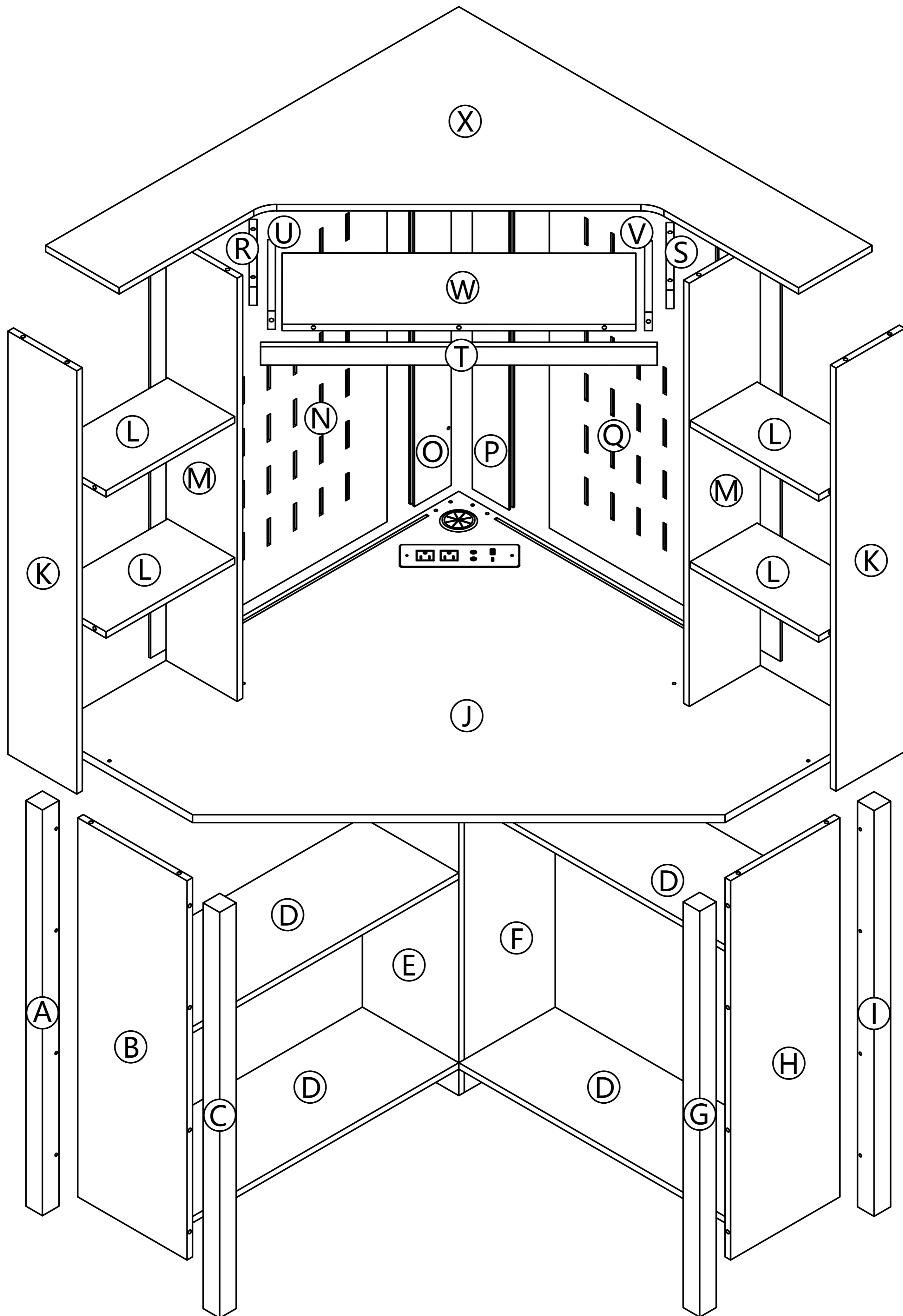
①		Two In One Screw (6x28mm)	100pcs +5pcs
②		Two In One Nut (10x12mm)	100pcs +5pcs
③		Wood Chipping (6x30mm)	16pcs +3pcs
④		Wire cover	2pcs
⑤		Screw & Guide (19cm) (3x12mm)	8pcs +2pcs
⑥		Reading lamp fixing buckle & screw (3x10mm)	3pcs +1pcs
⑦		reading lamp	1pcs
⑧		Wire Clamp	3pcs
⑨		Non-slip pads (36x36x2mm)	4pcs +1pcs
⑩		Non-slip pads (50x10x2mm)	2pcs +1pcs
⑪		Power Socket & Screw (3x10mm)	1pcs 2pcs +1pcs
⑫		Fixing clip & screw (3x16mm)	16pcs +2pcs
⑬	 x2 (3.5x14mm)  x2  x4  x2  x2 (4x45mm)	Anti Fall Hardware	

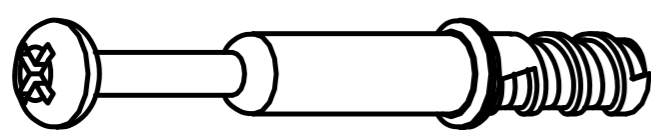
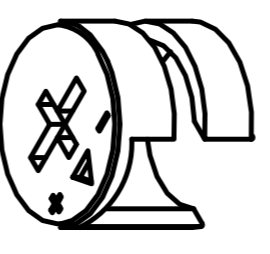

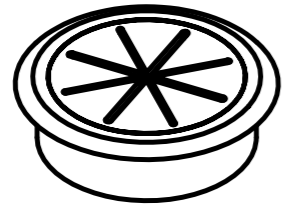




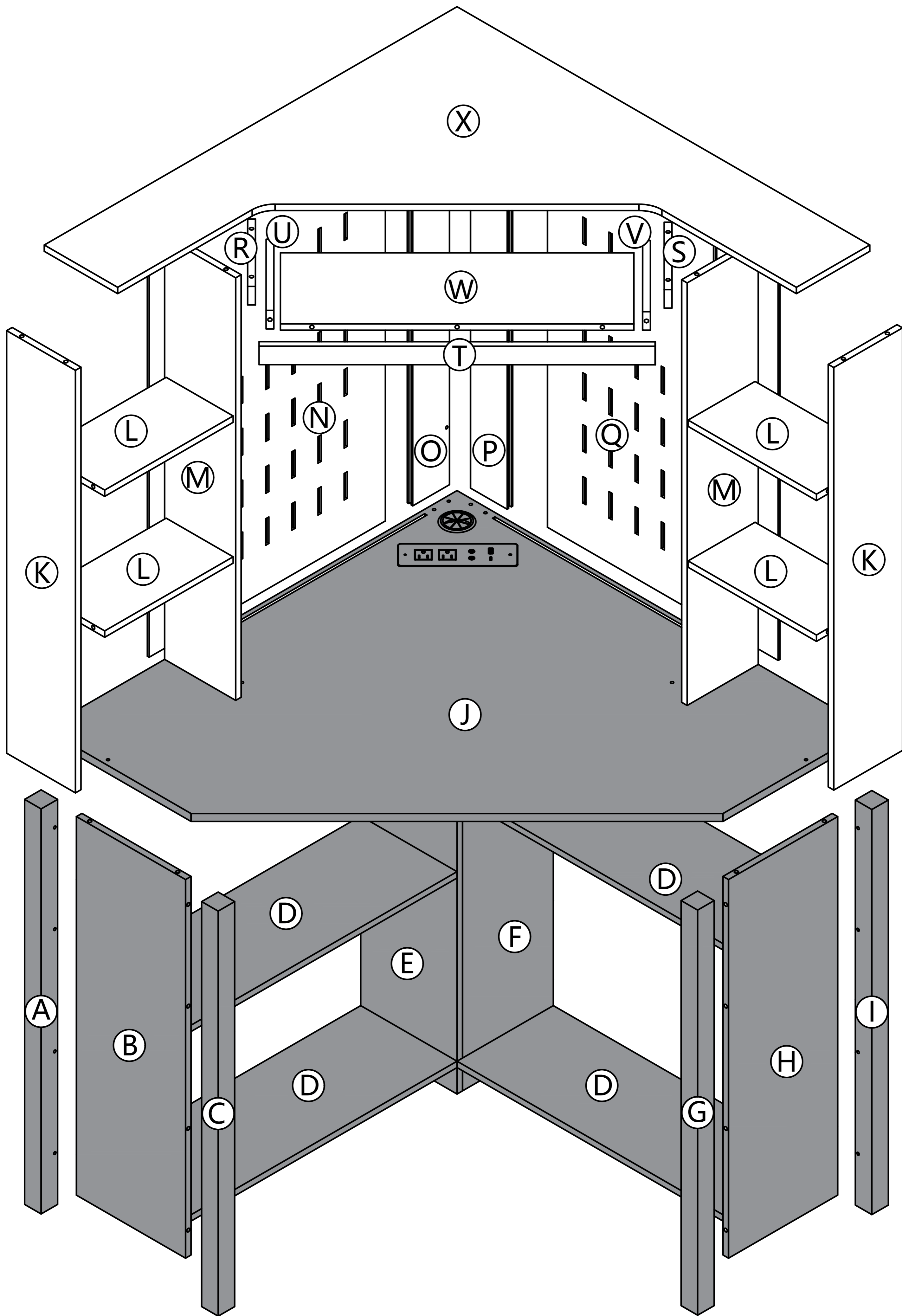
Double-head screwdriver, use as required



Product structure decomposition

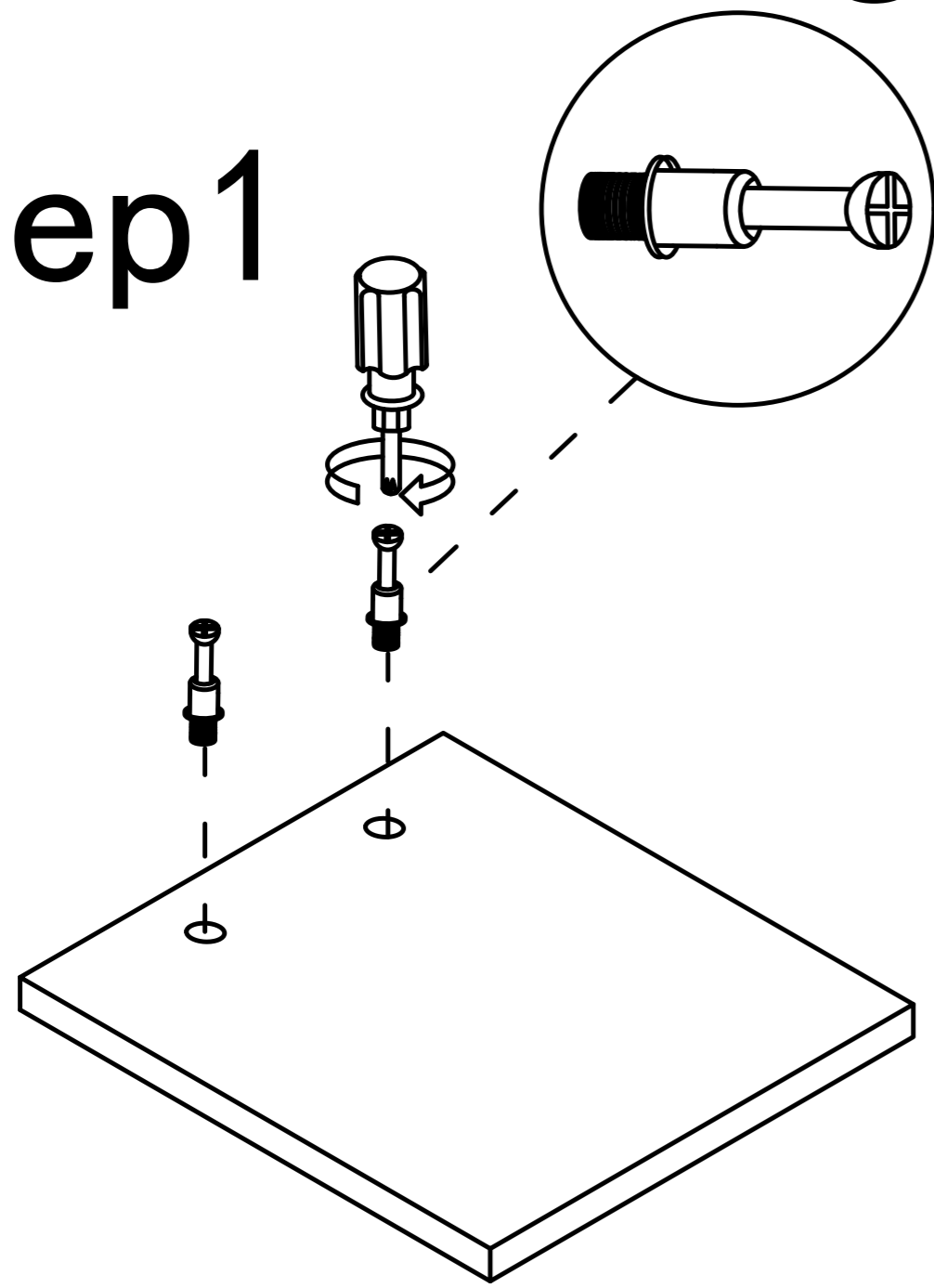


①		56pcs	②		44pcs	③		16pcs
④		1pcs	⑨		4pcs	⑩		2pcs

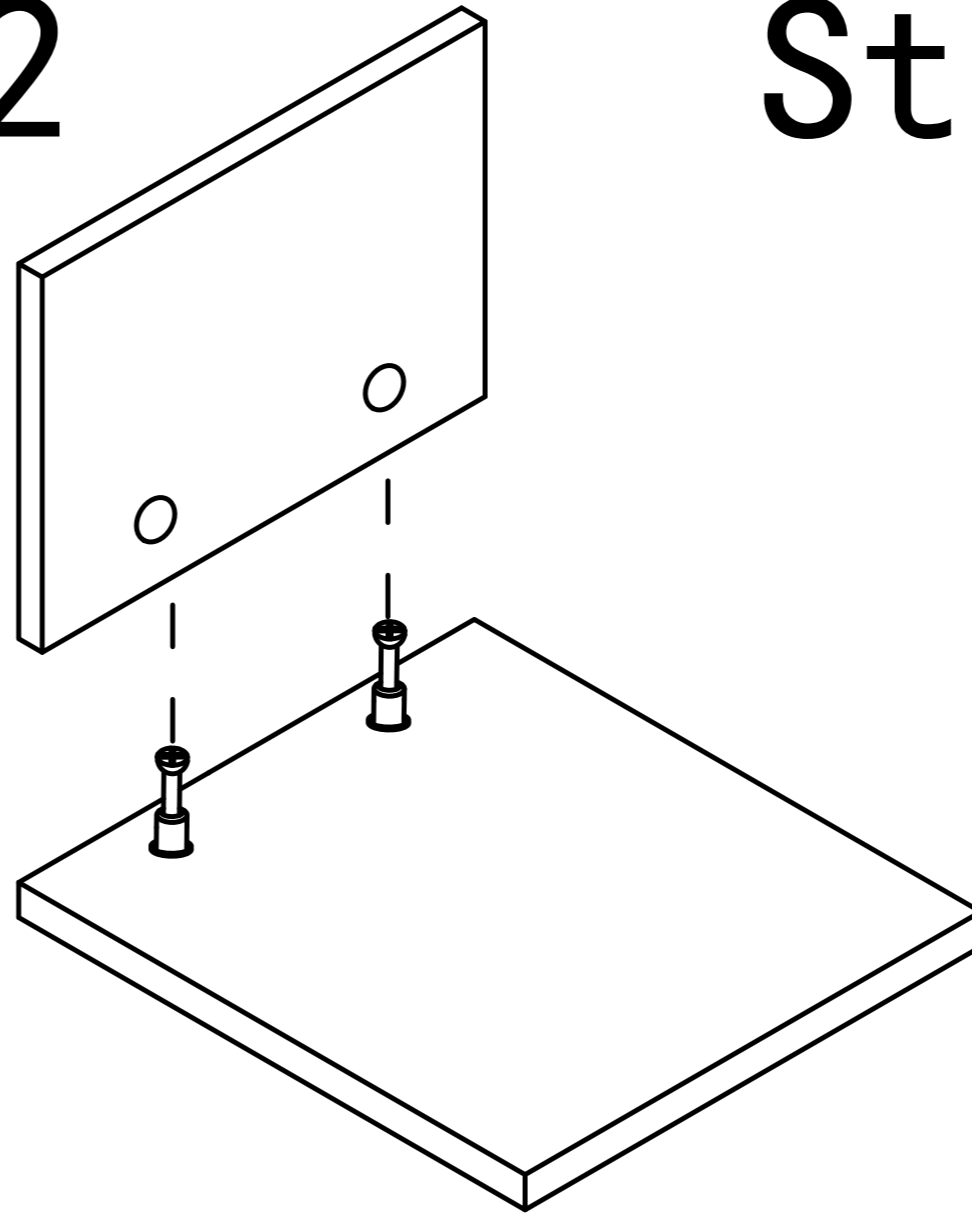


Use parts ① and ②

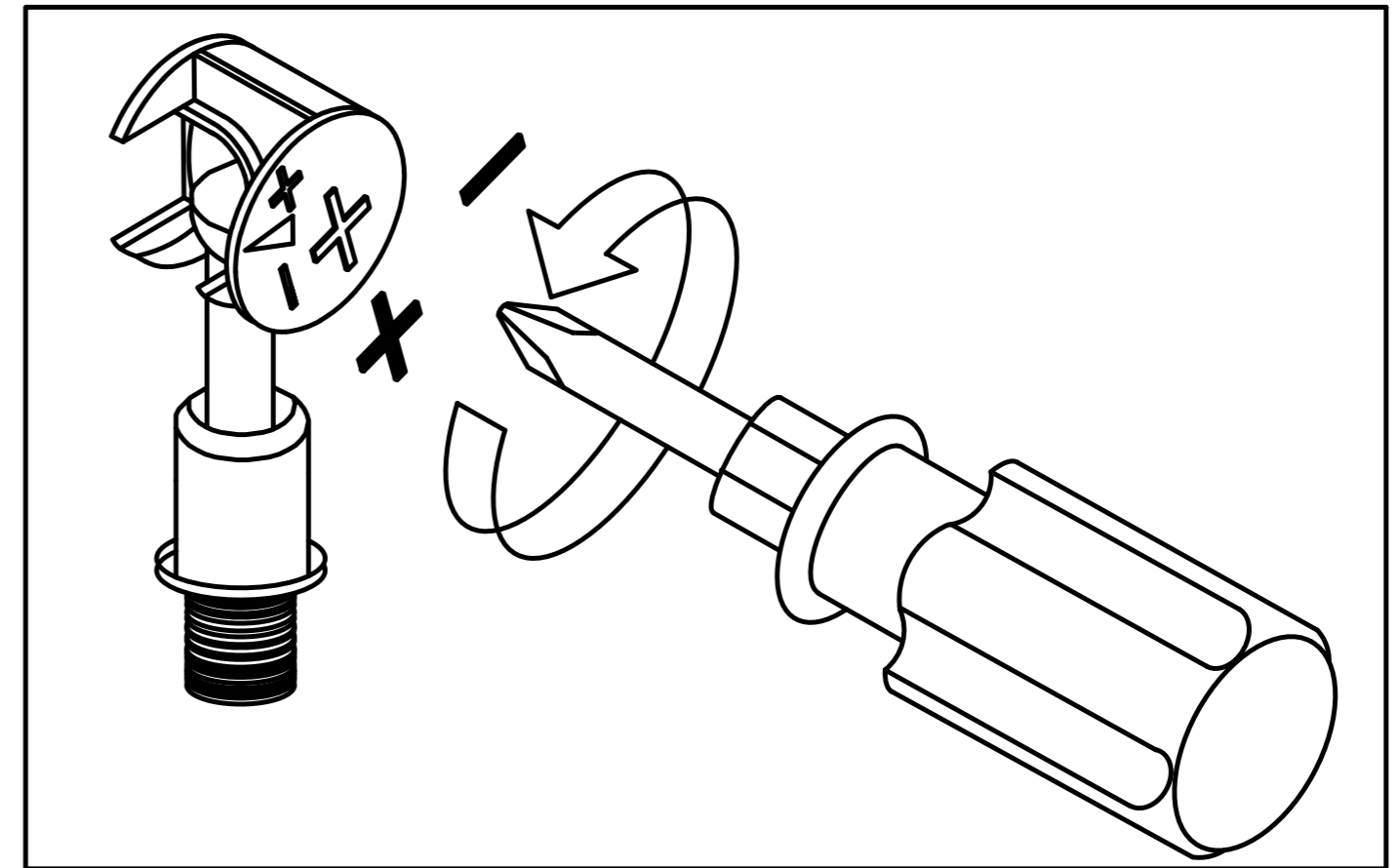
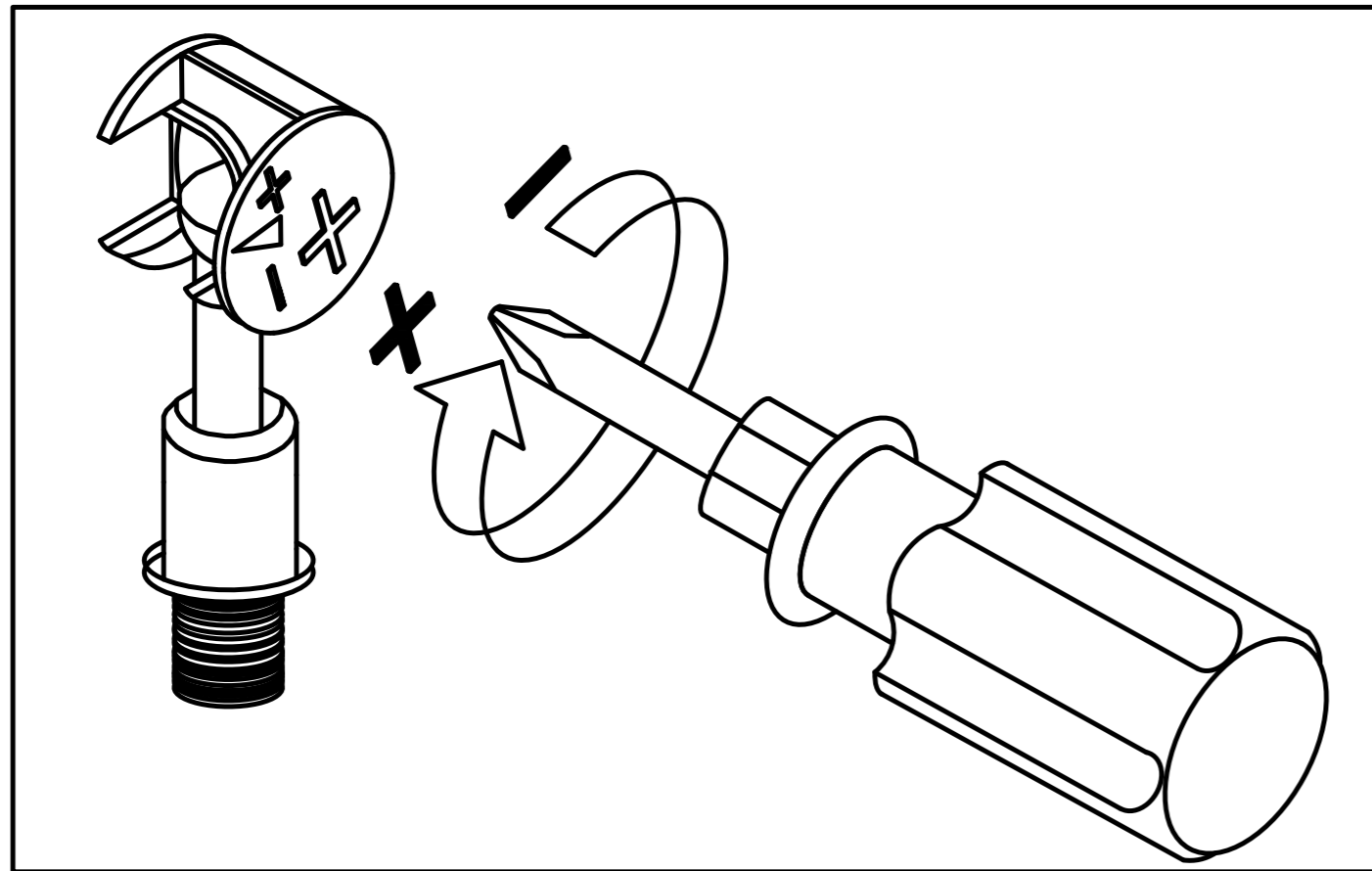
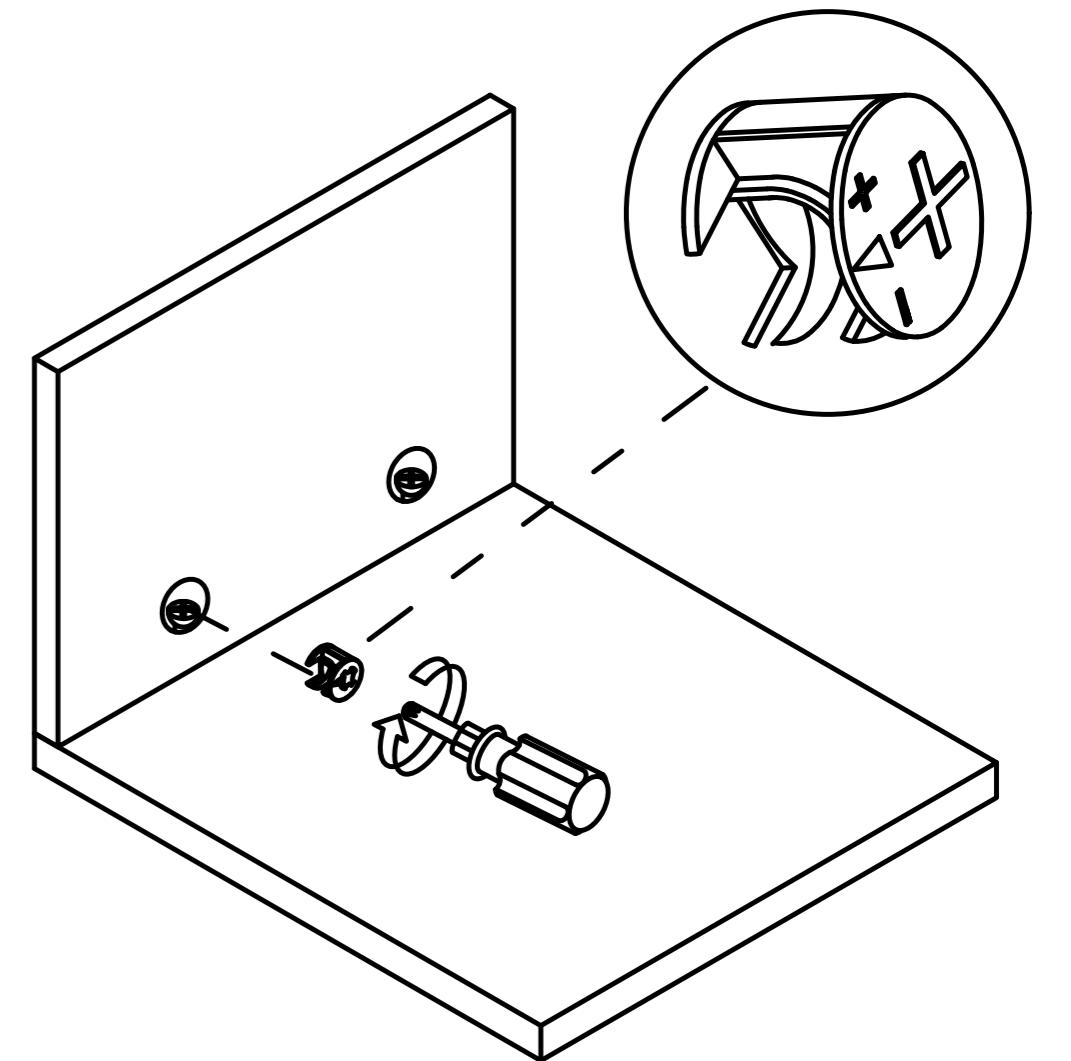
Step 1



Step 2



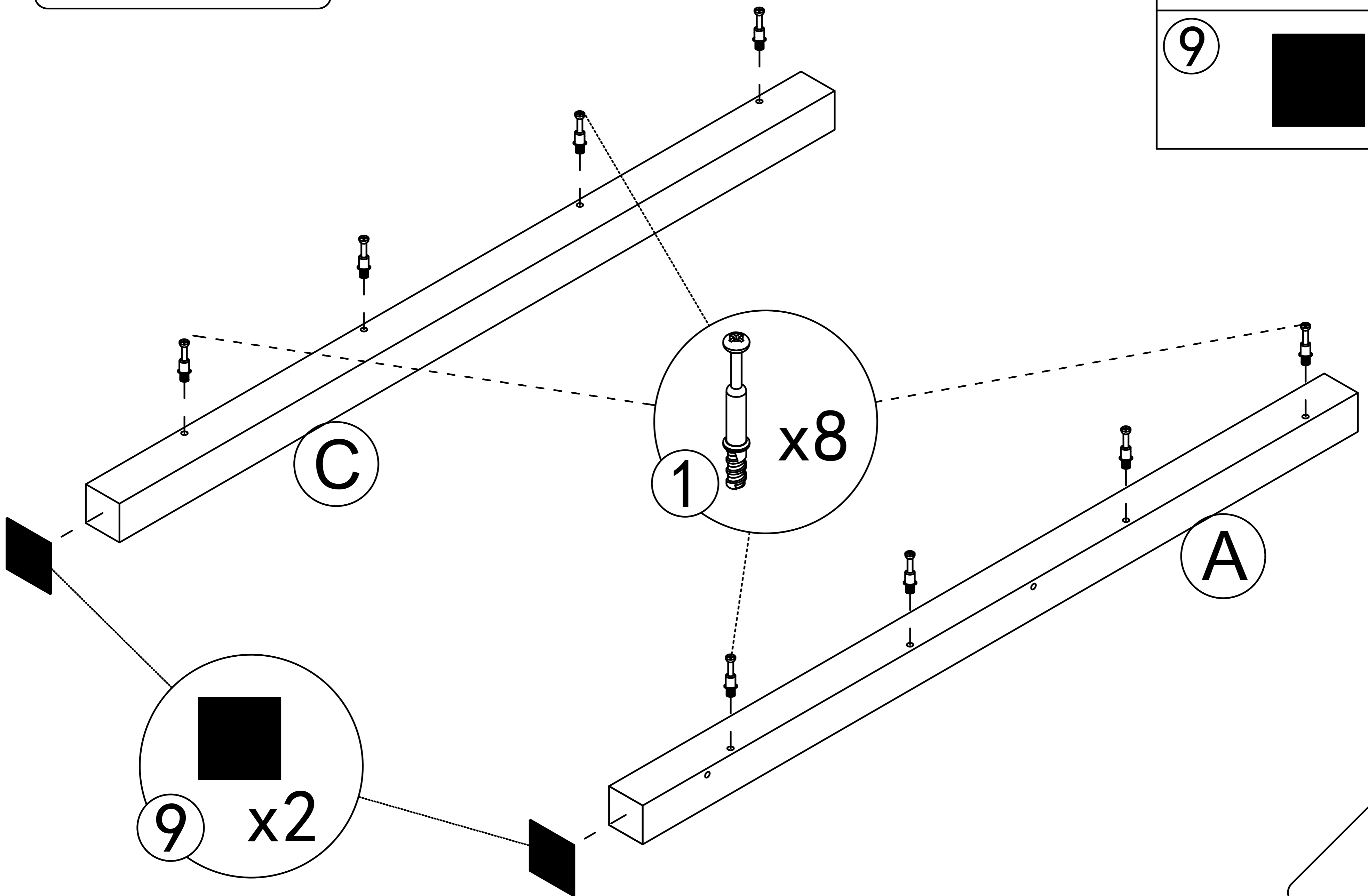
Step 3

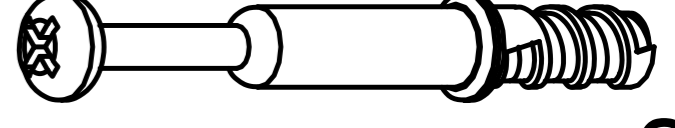



Use a screwdriver to lock in the direction of the "+" sign

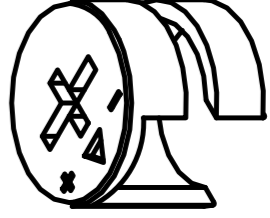
Disassemble along the direction of "-" sign

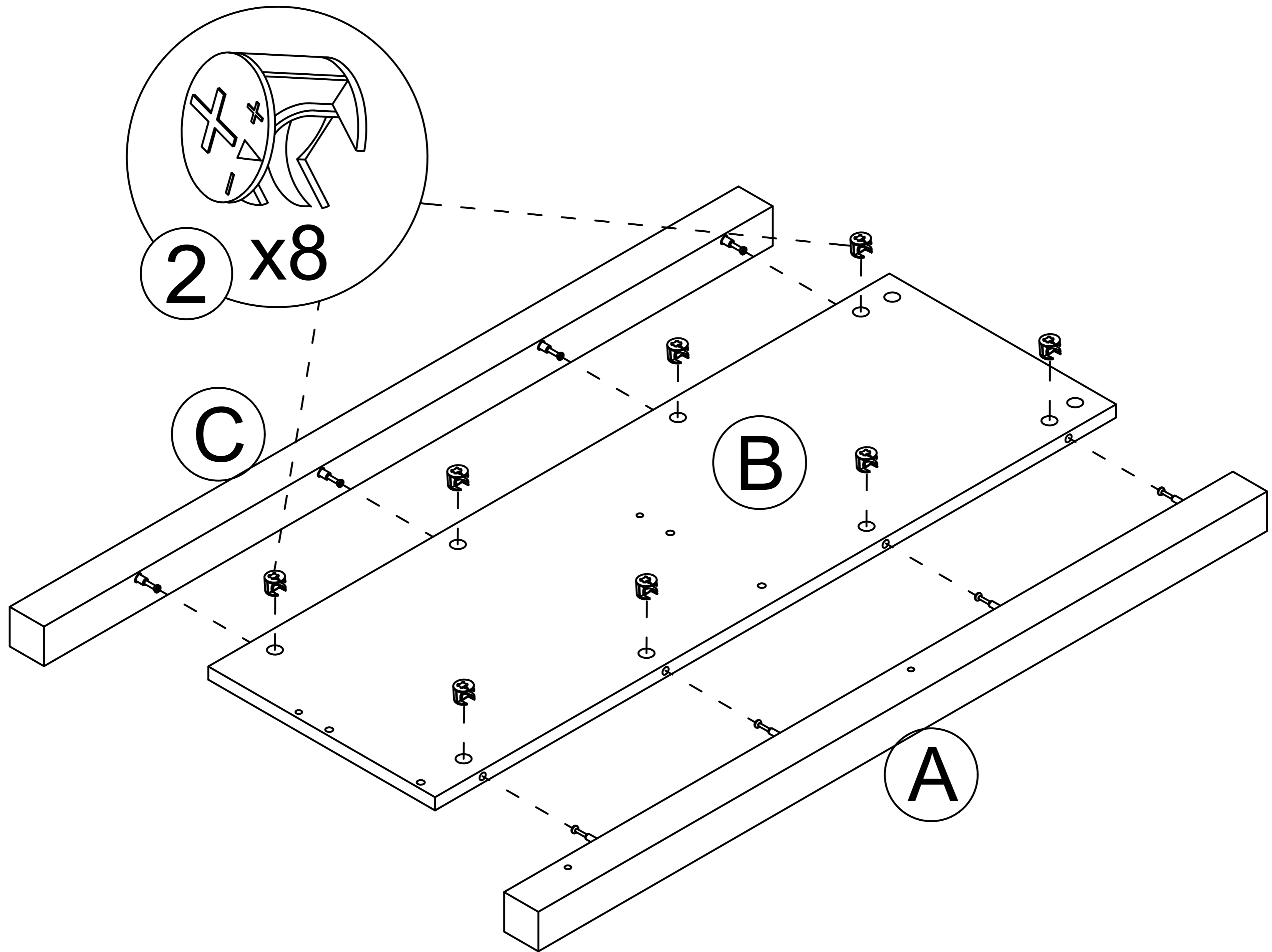
Step 1



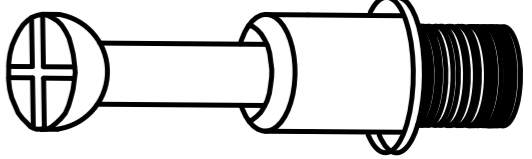

- ①  x8
- ⑨  x2

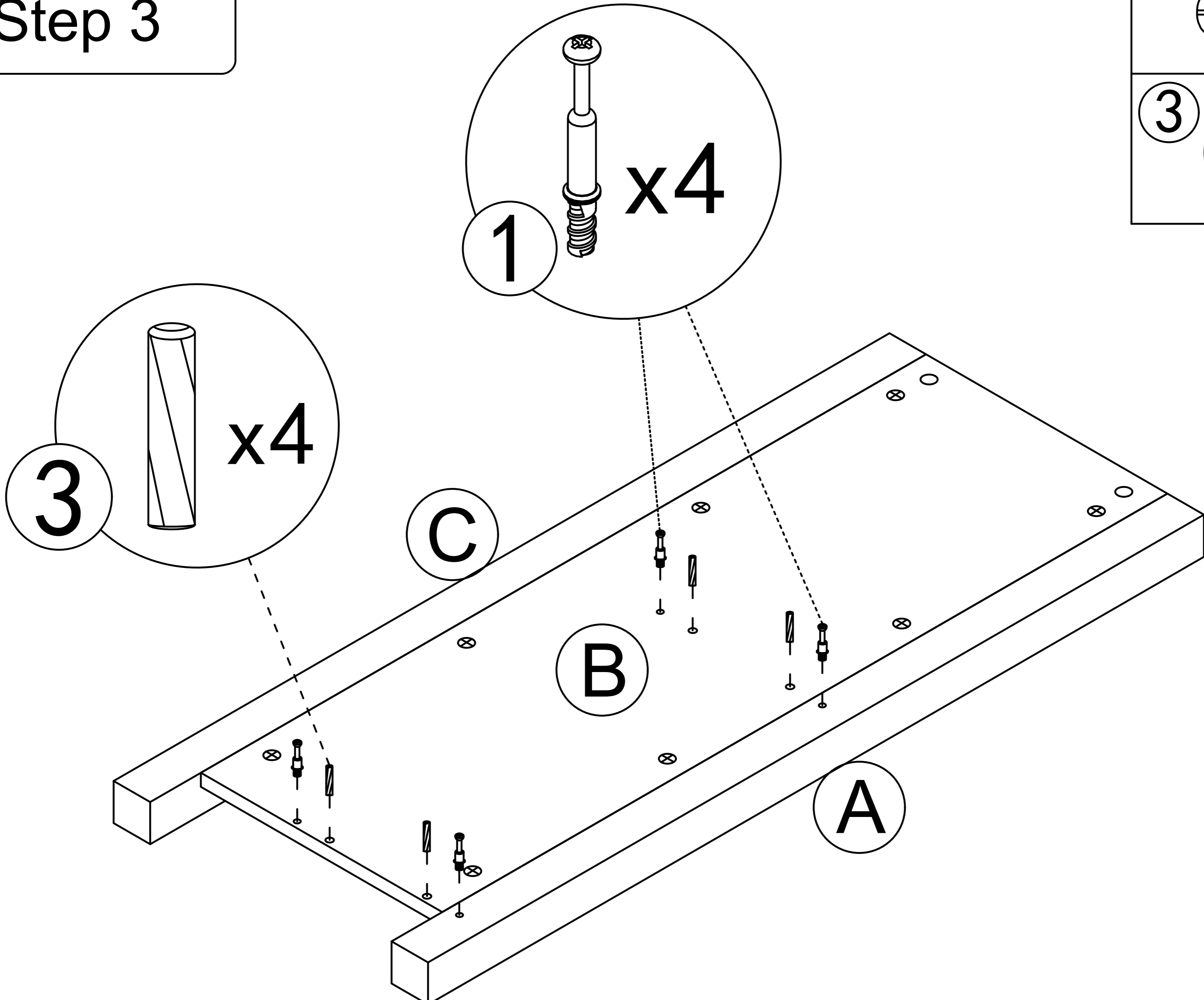
Step 2

2  x8

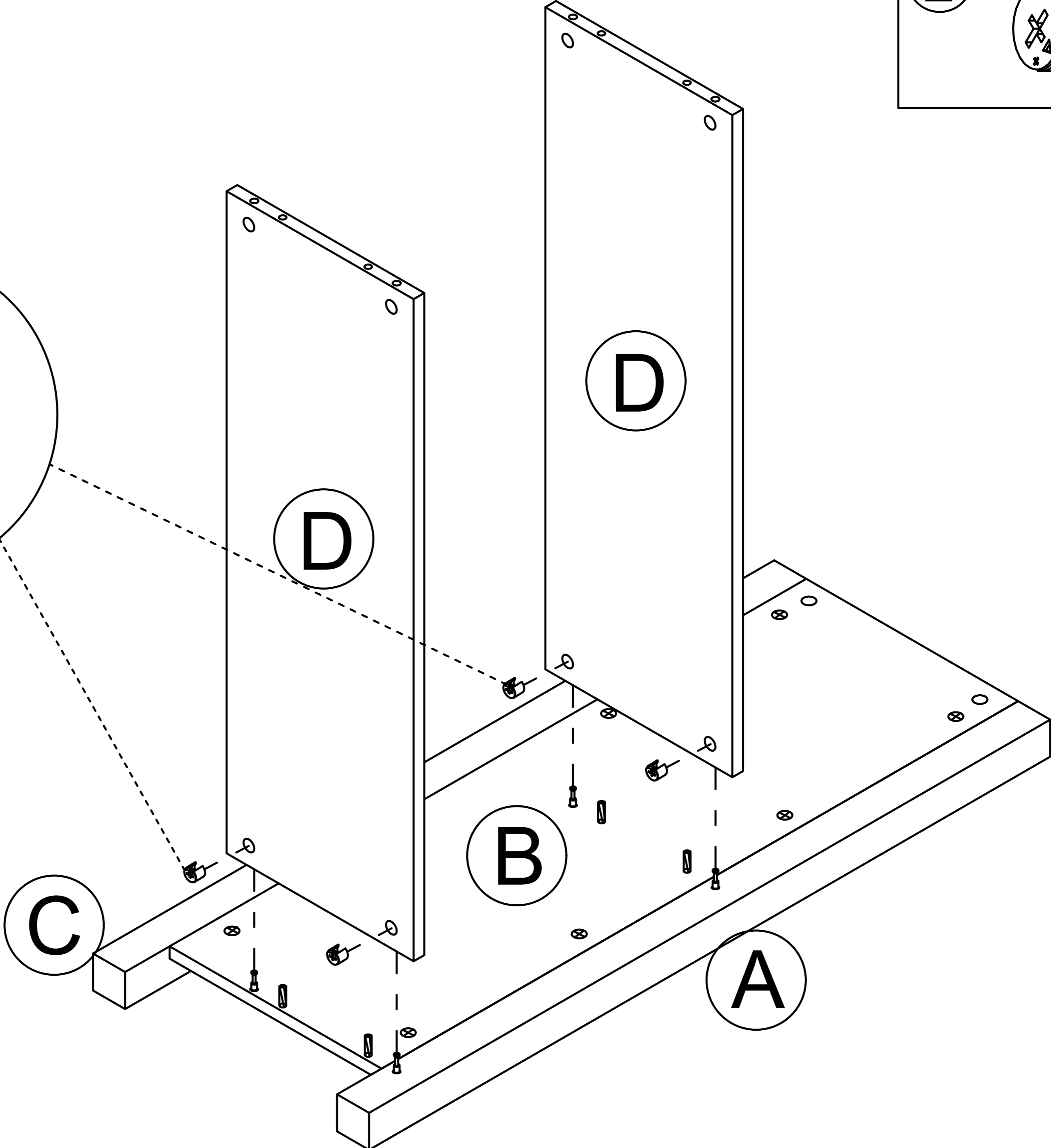
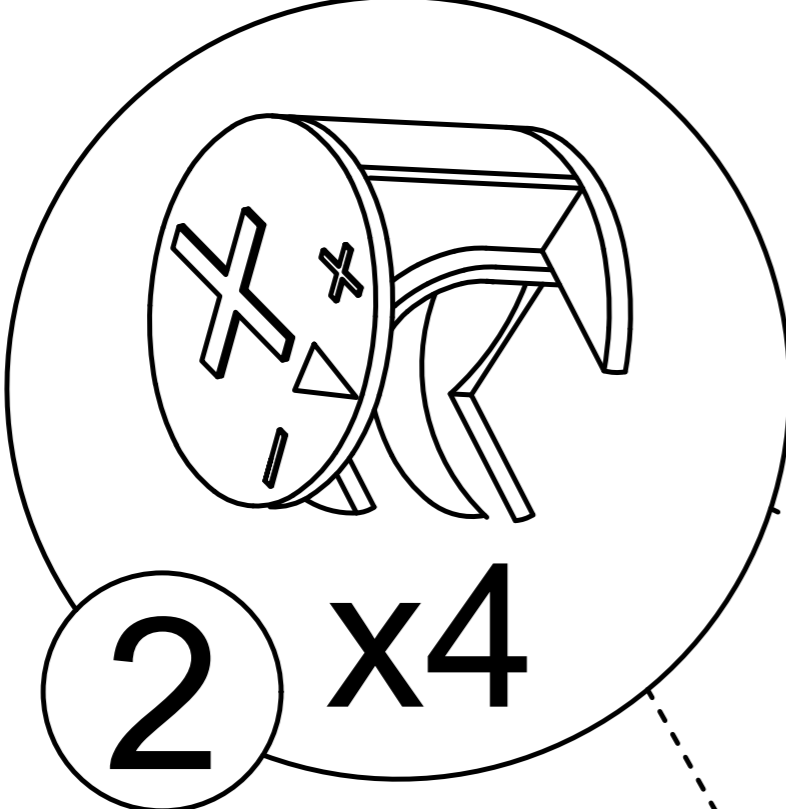
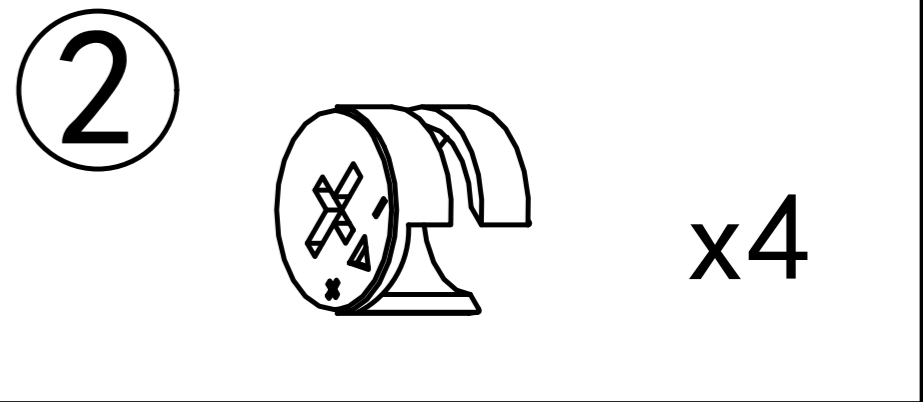


Step 3

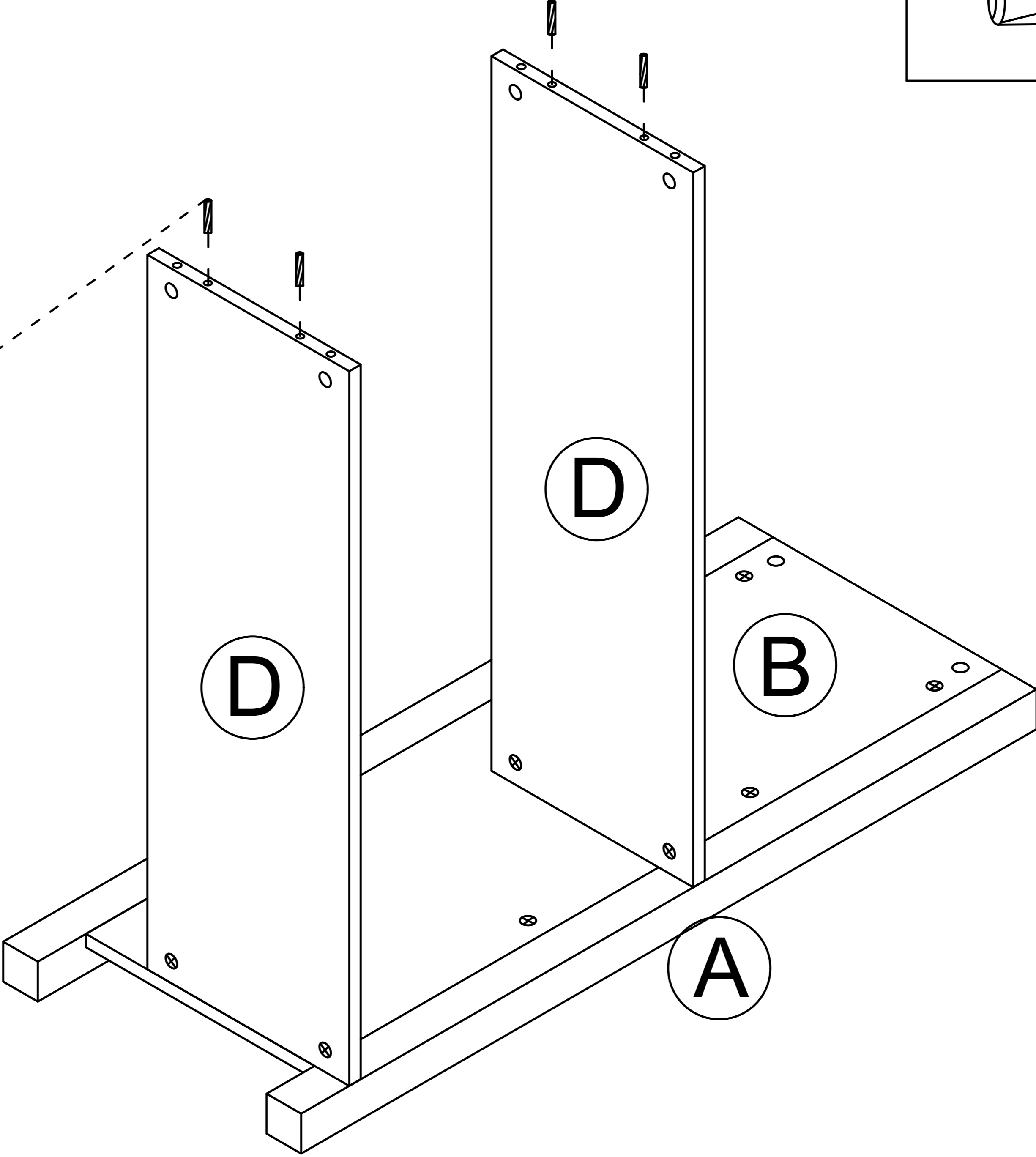
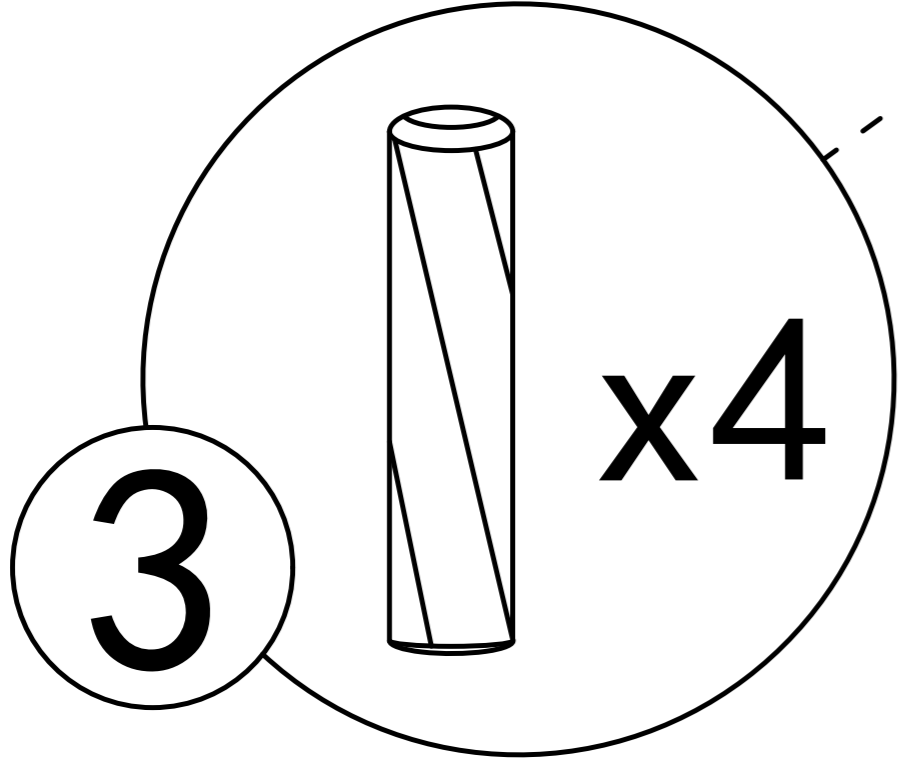
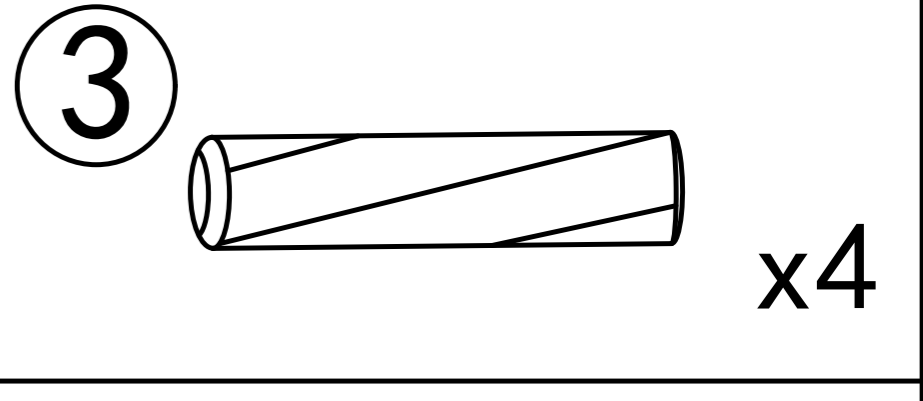
1  x4
3  x4



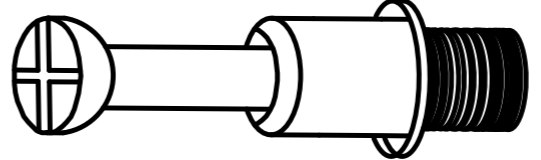

Step 4

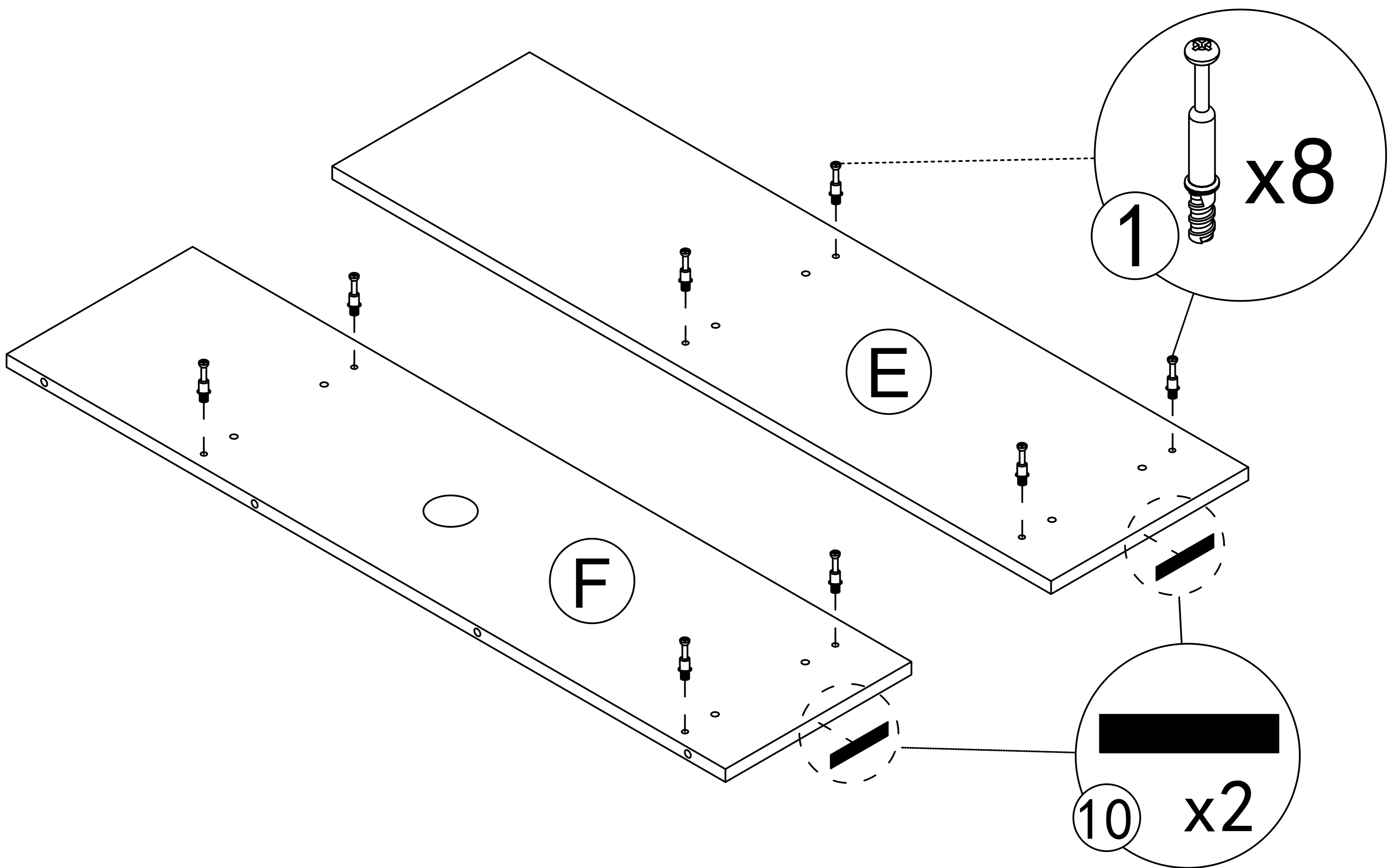


Step 5

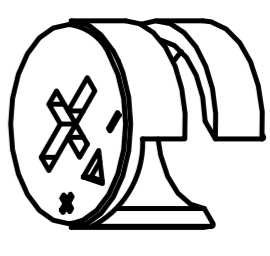


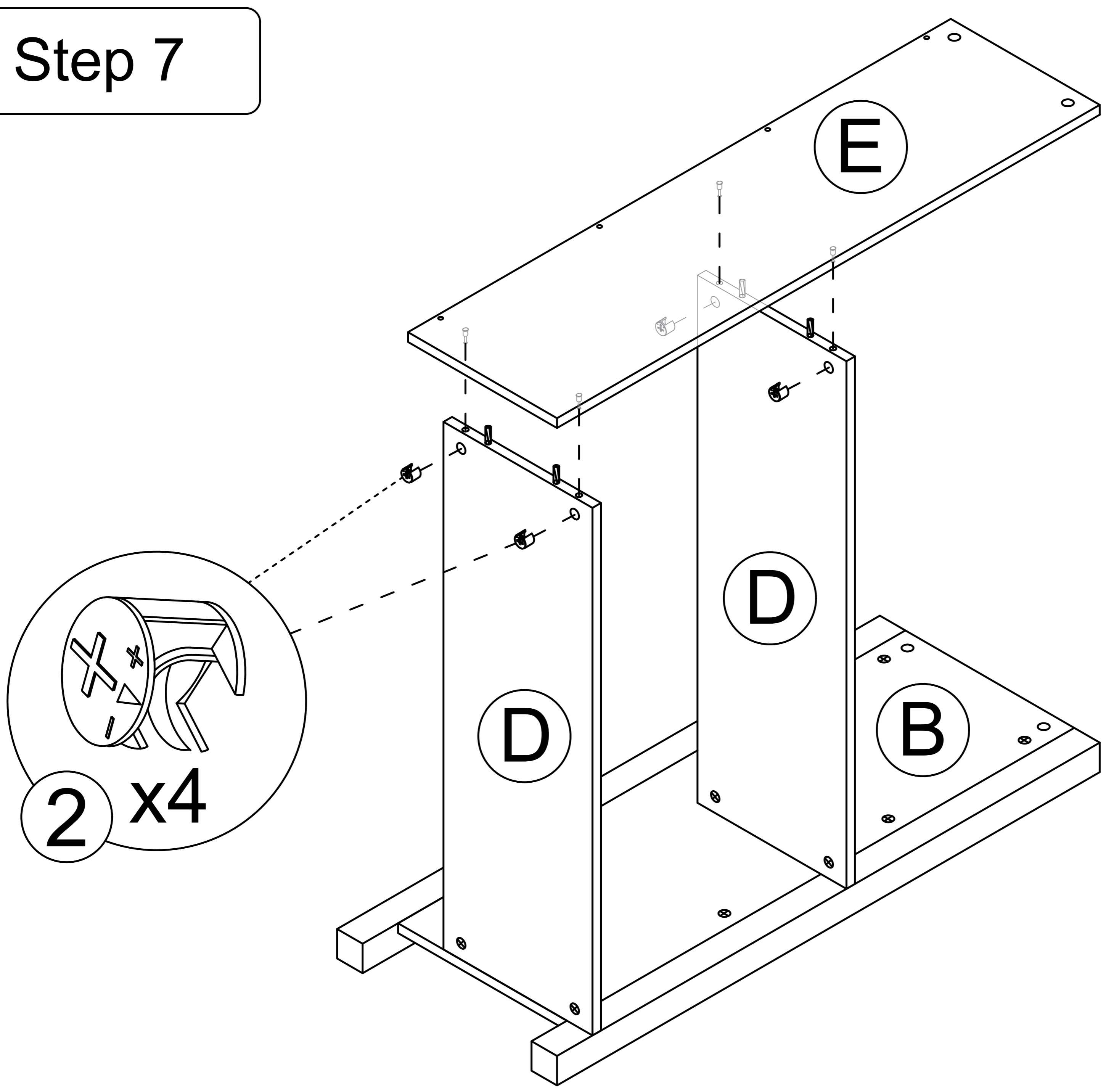
Step 6

1  x8 10  x2



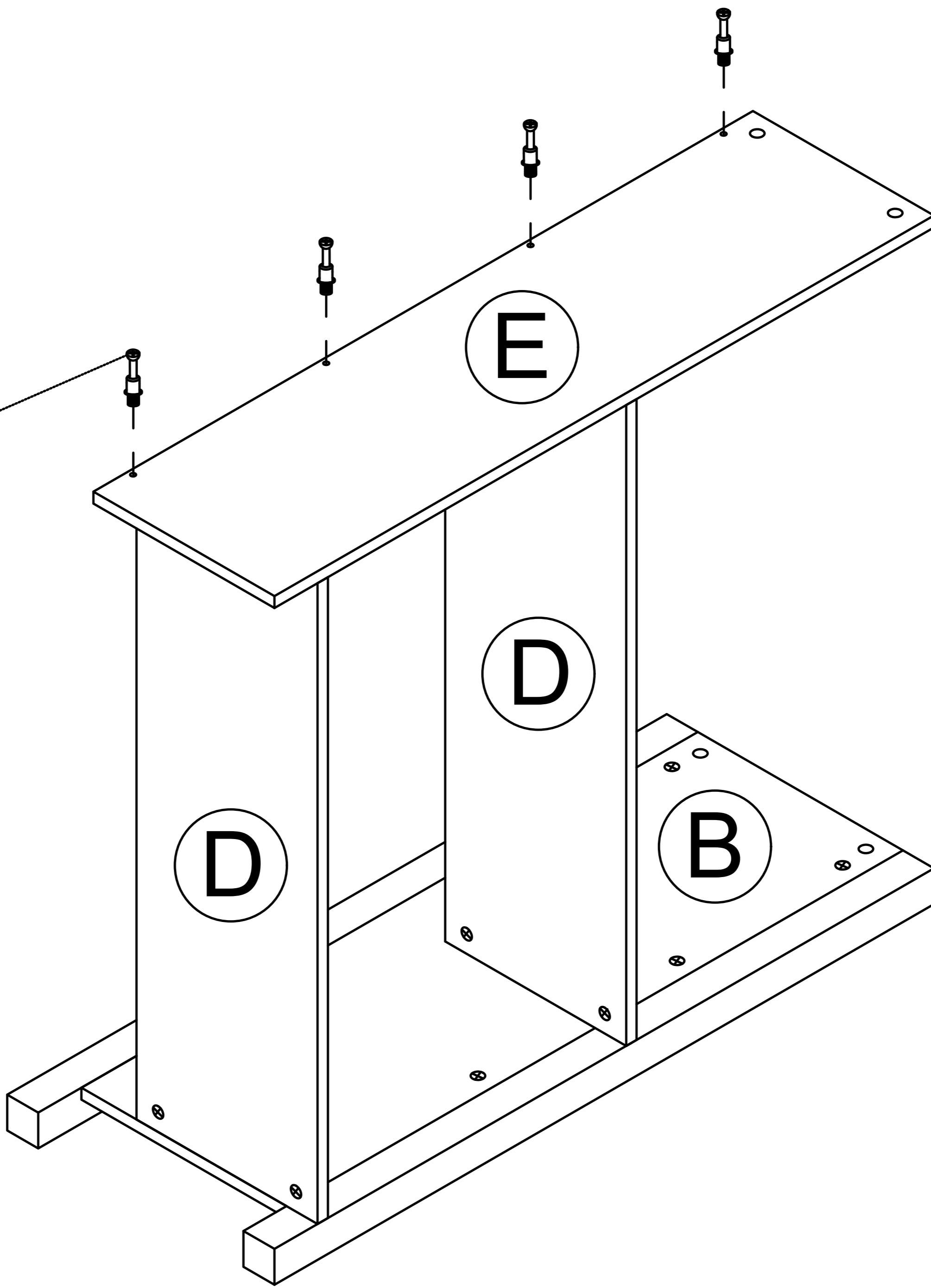
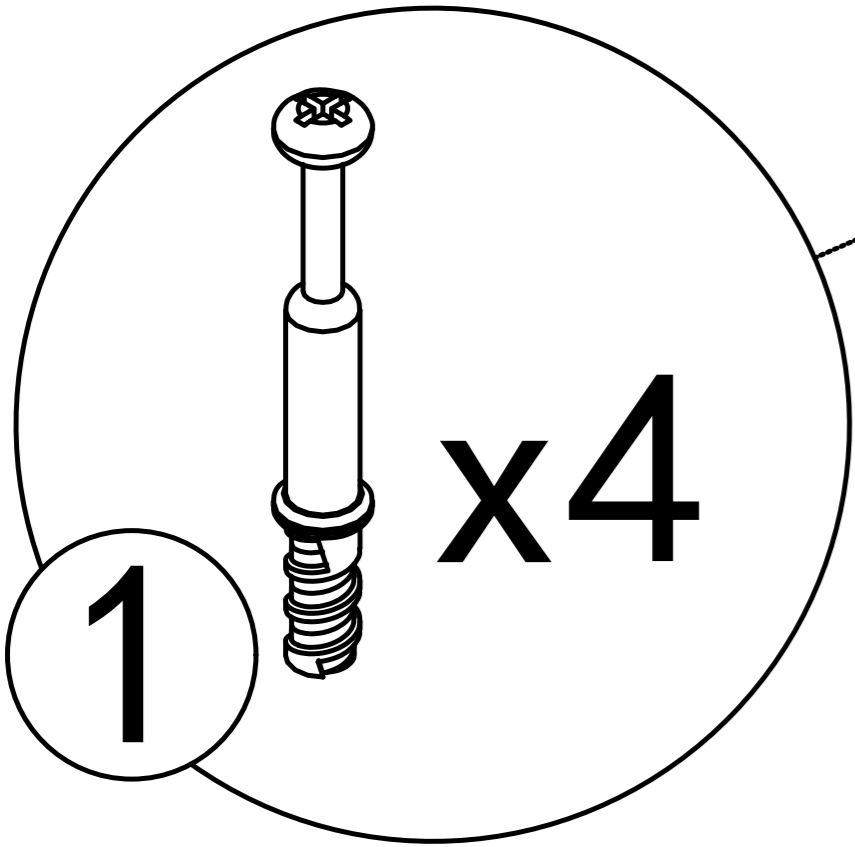
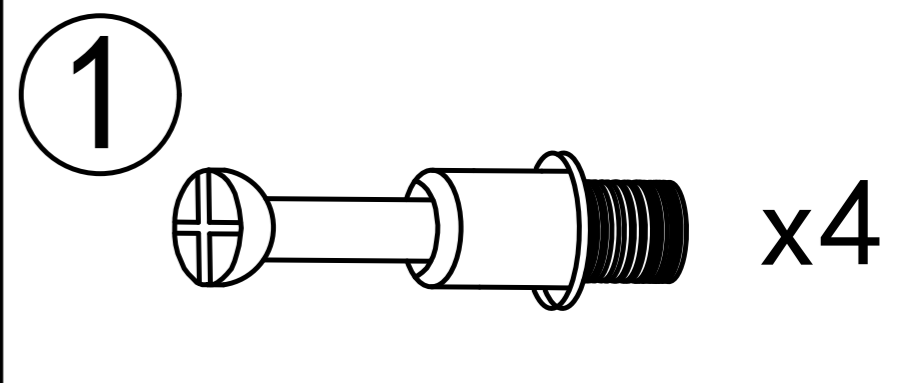
Step 7

2  x4

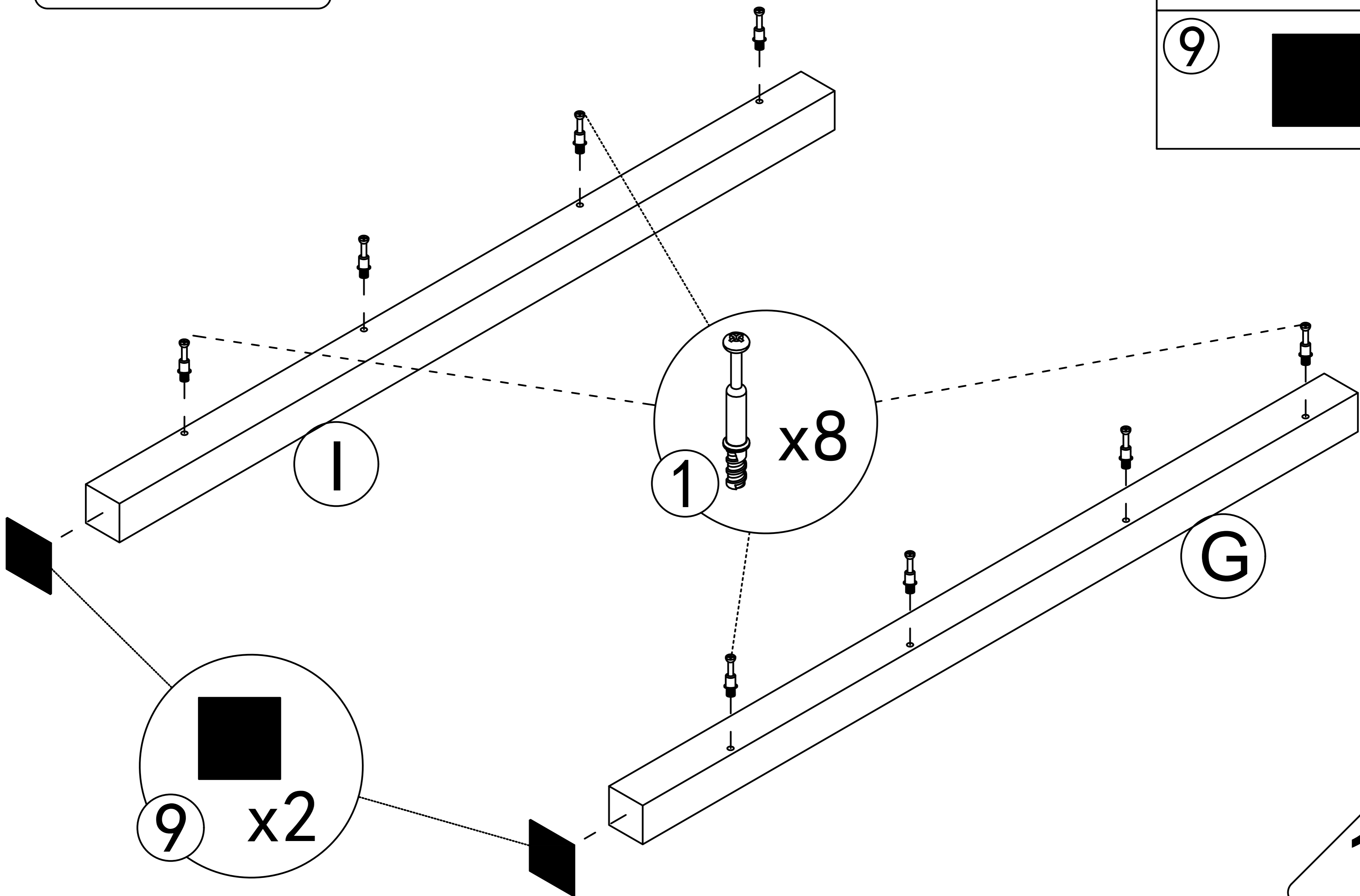
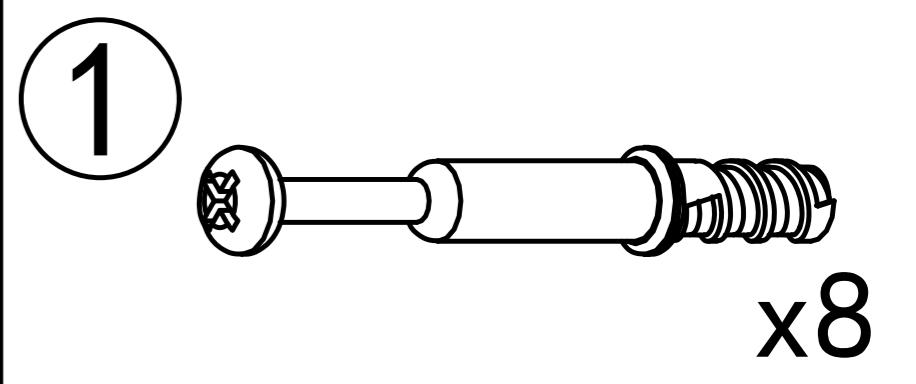


9

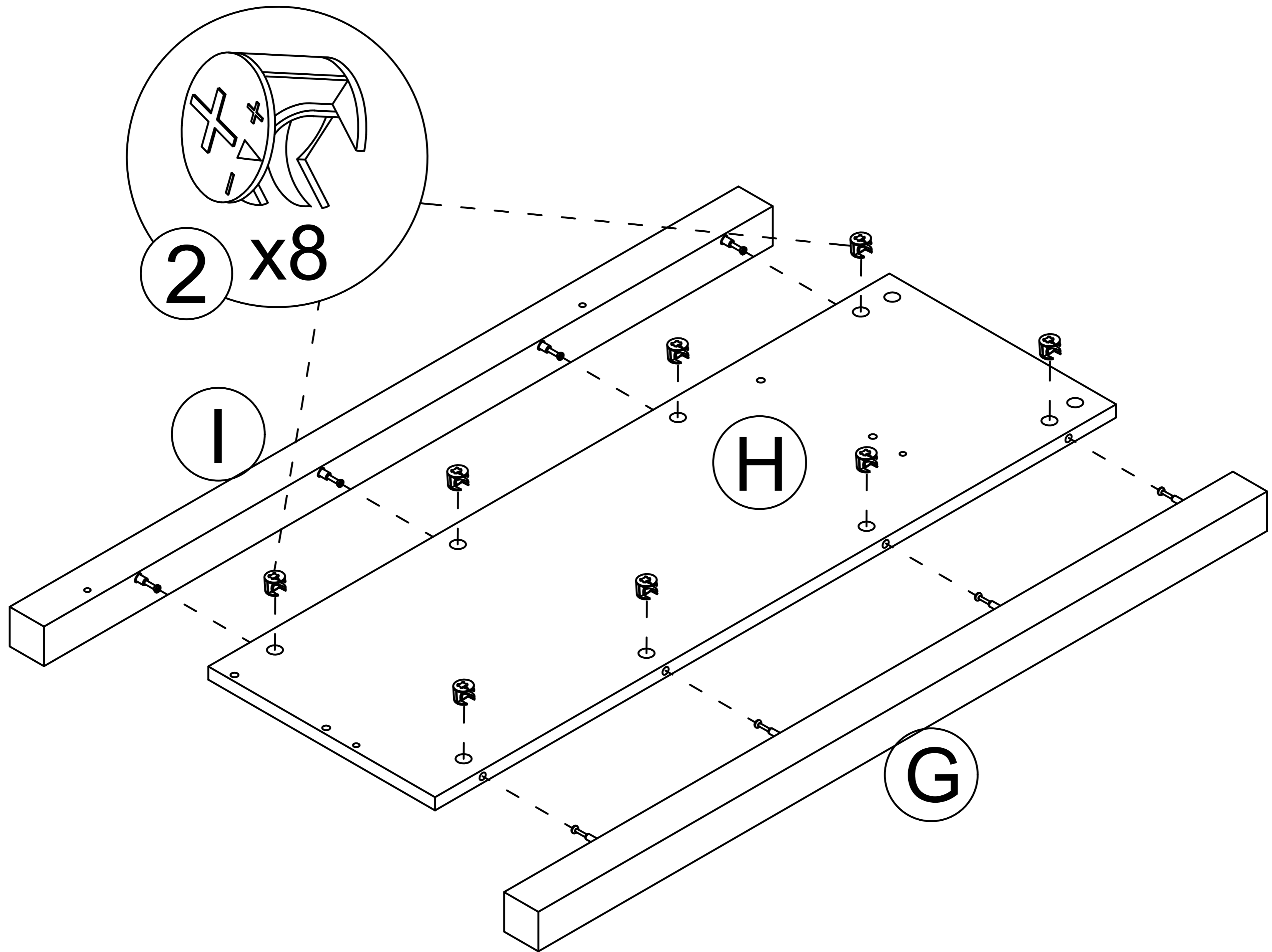
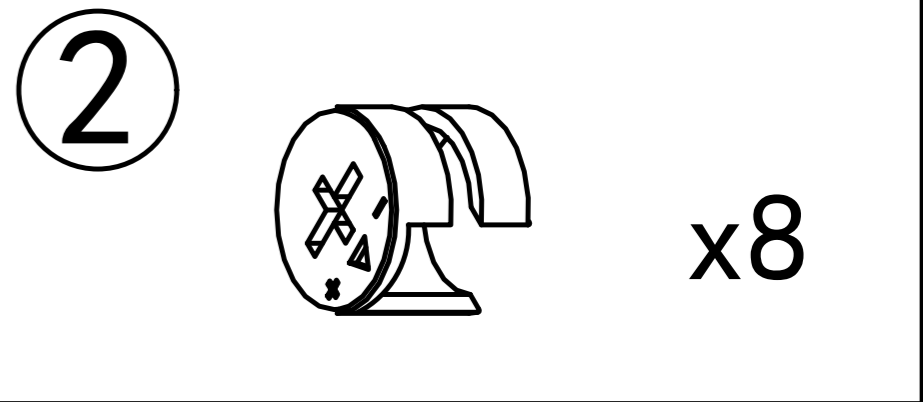
Step 8



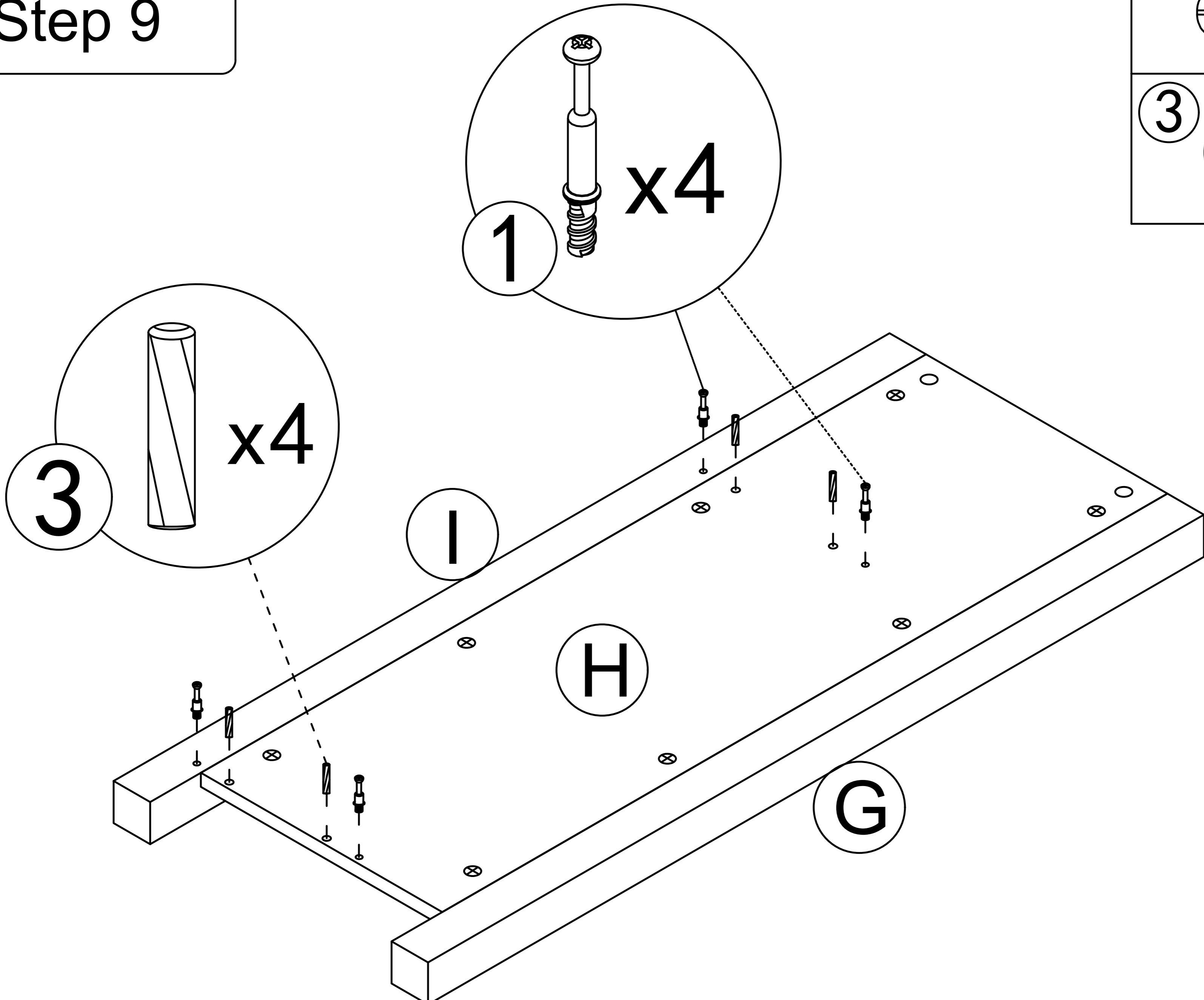
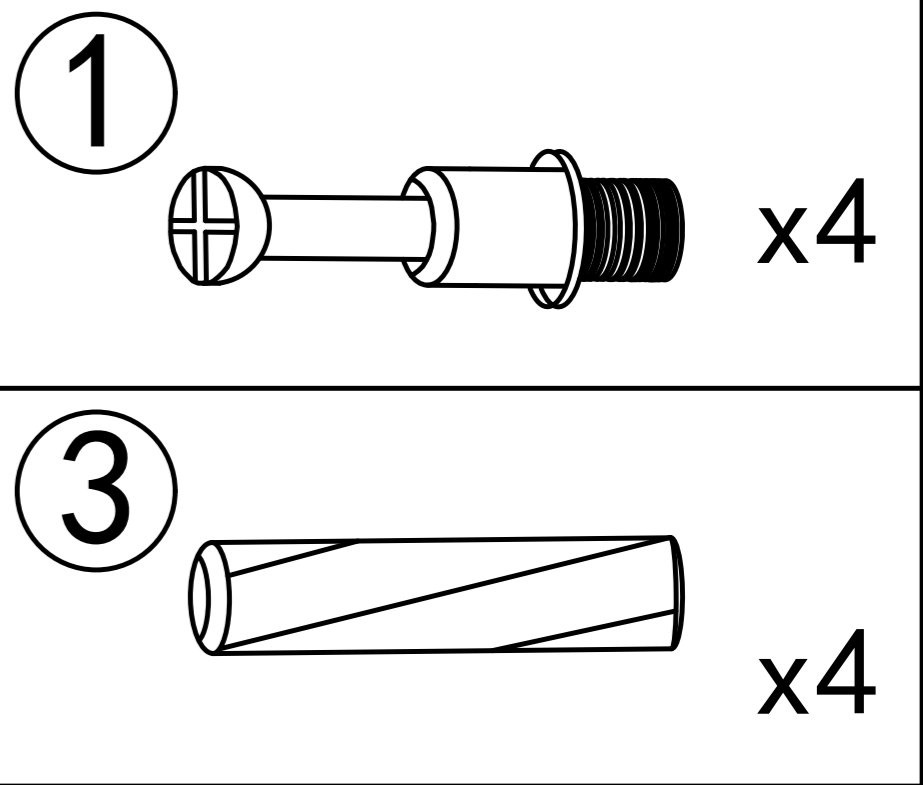
Step 9



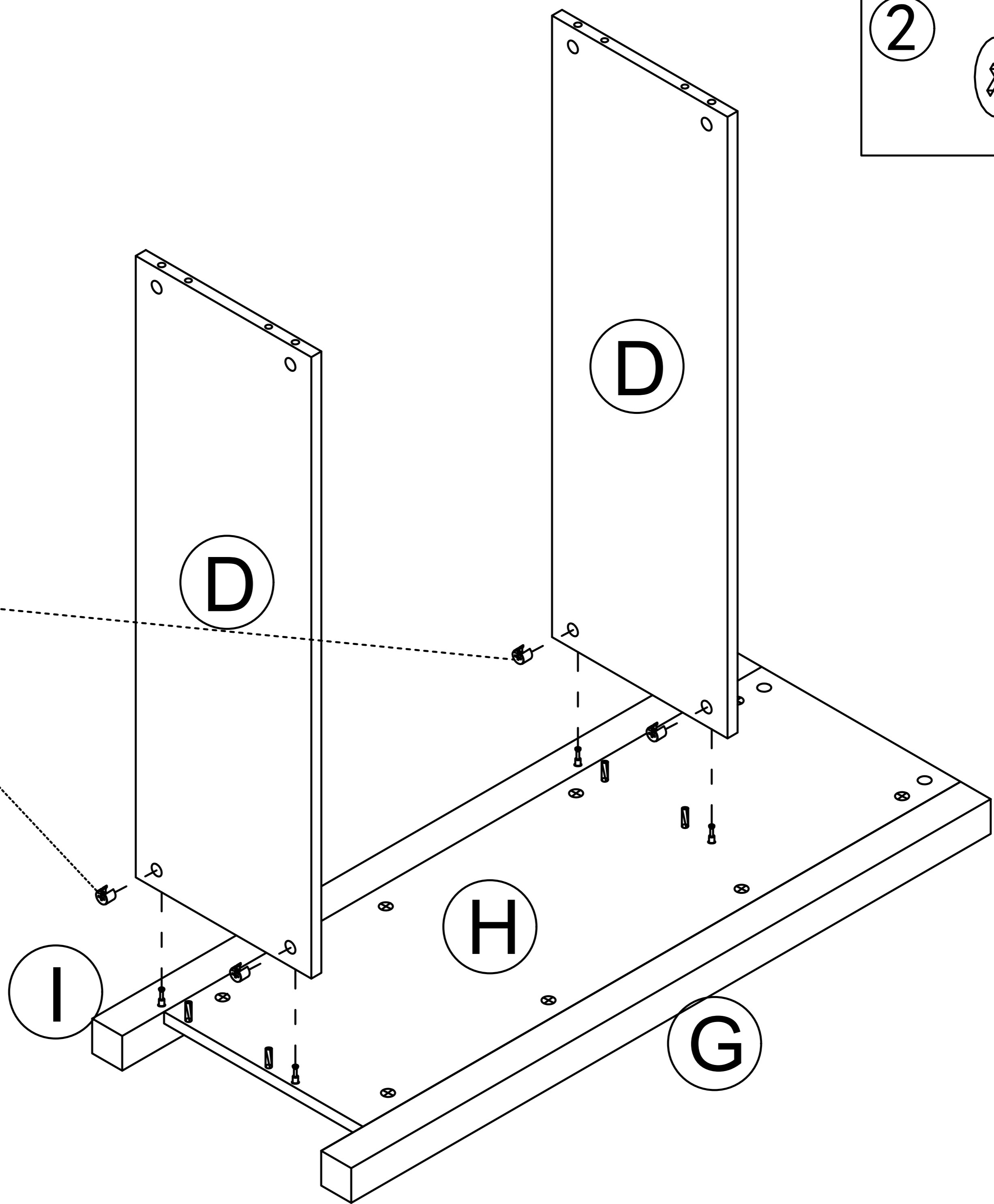
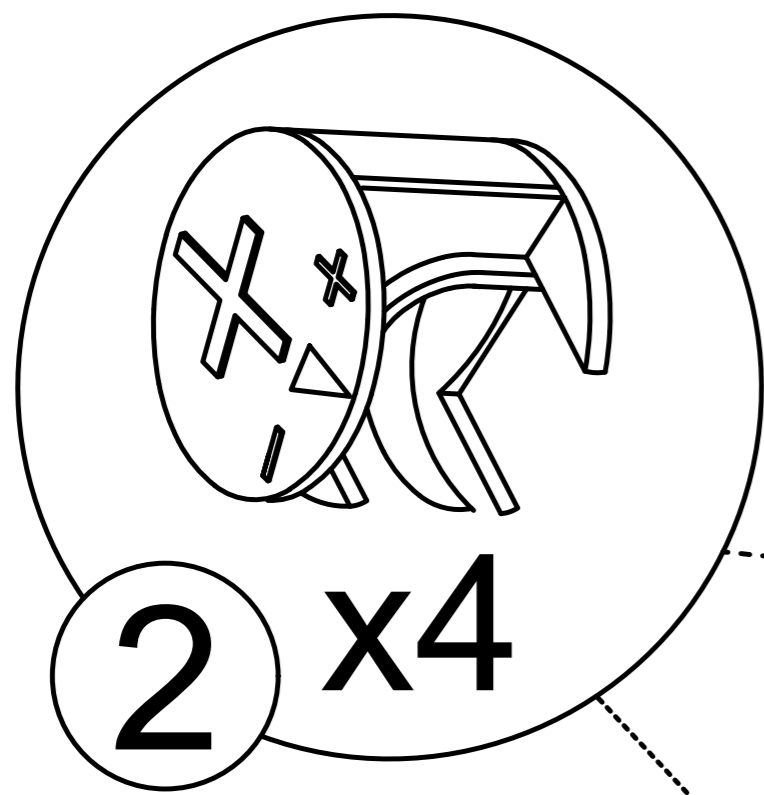
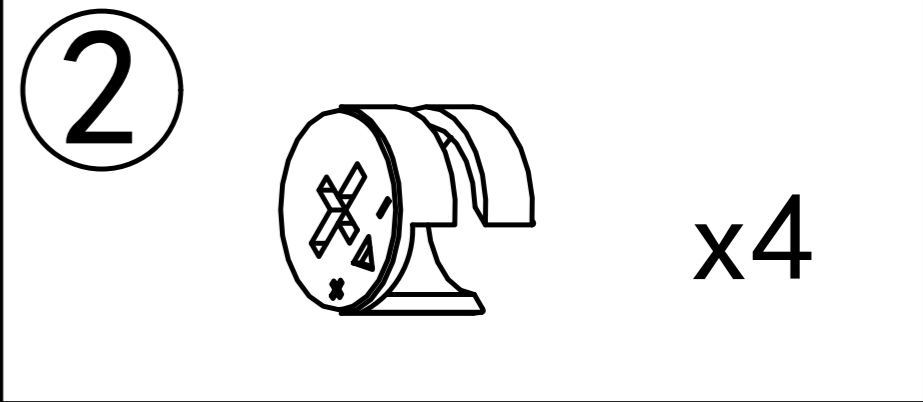
Step 8



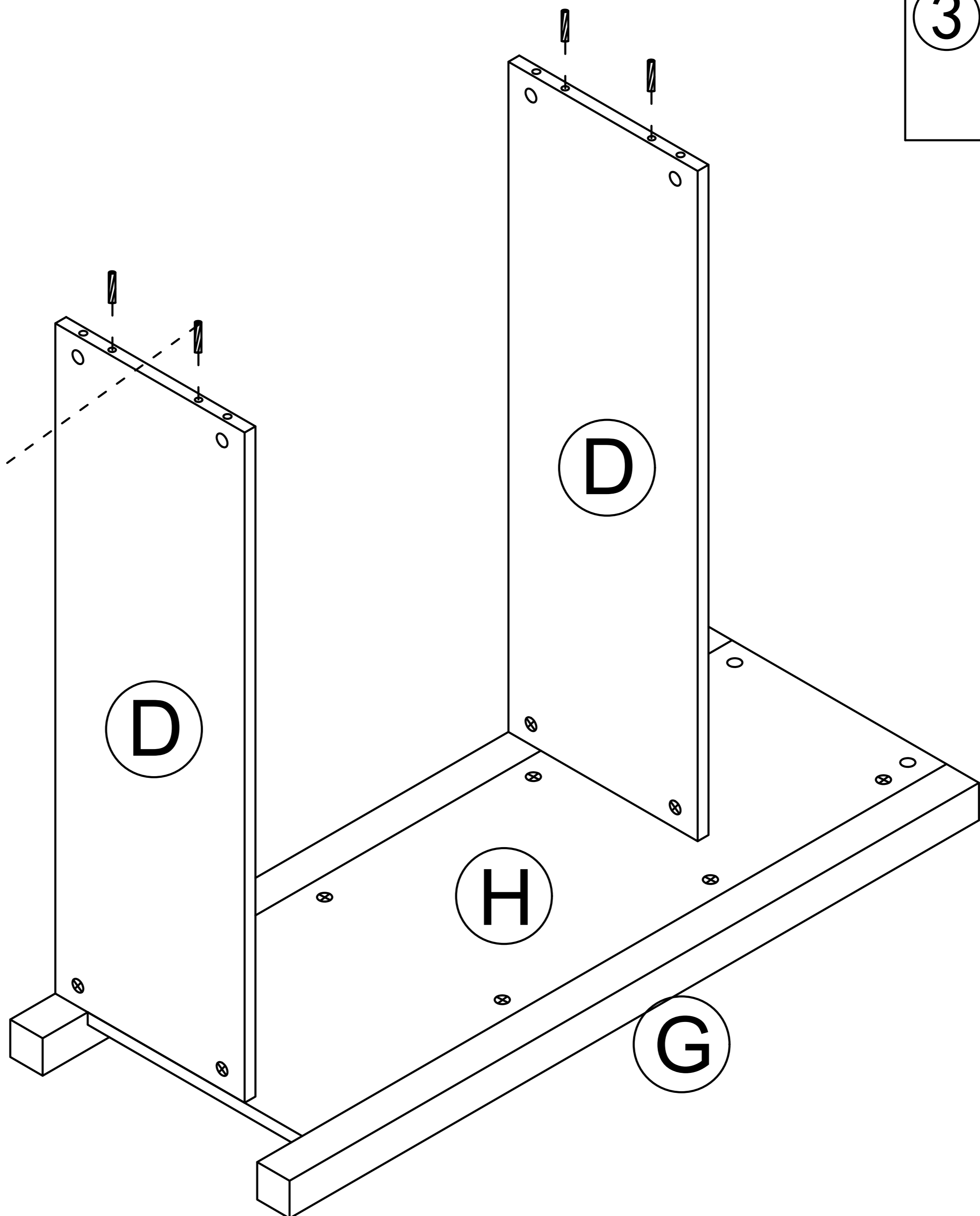
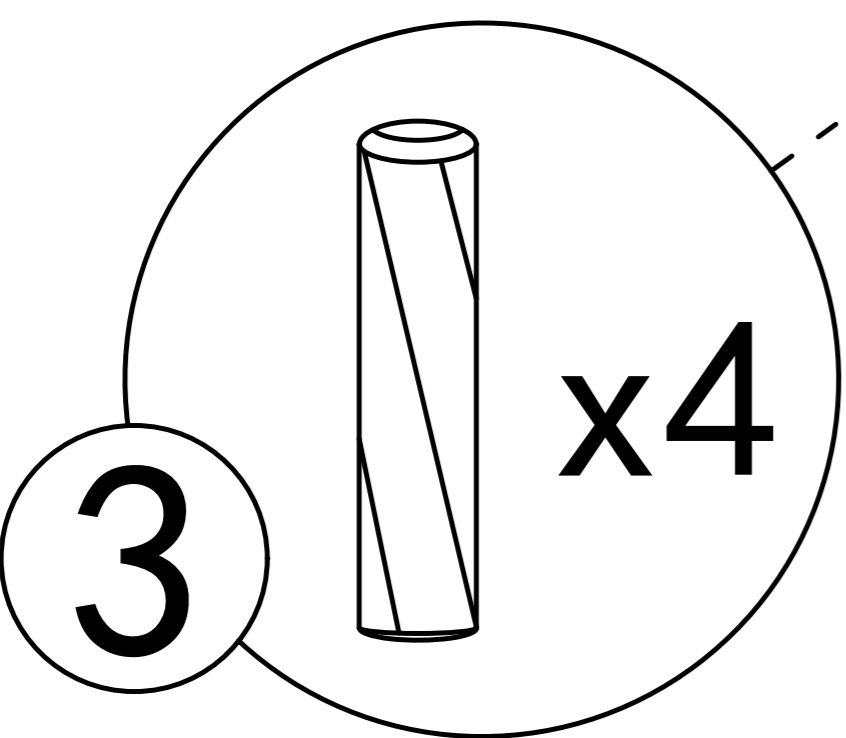
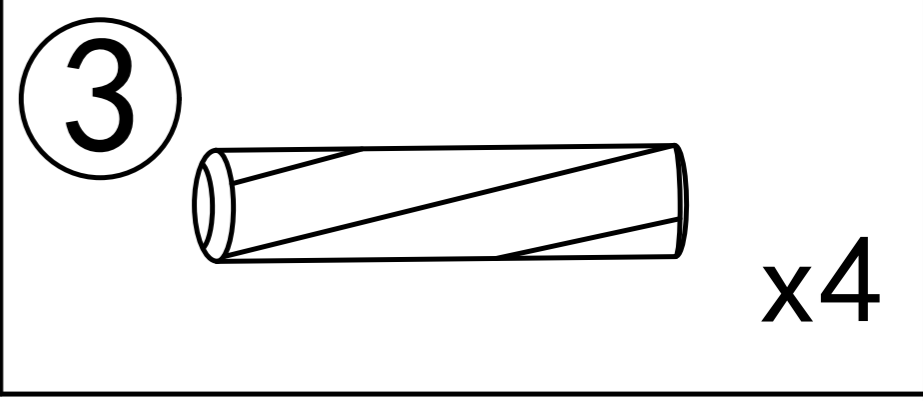
Step 9



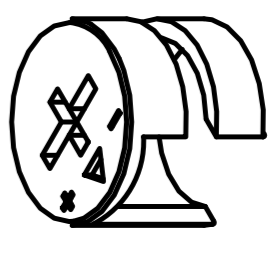
Step 10

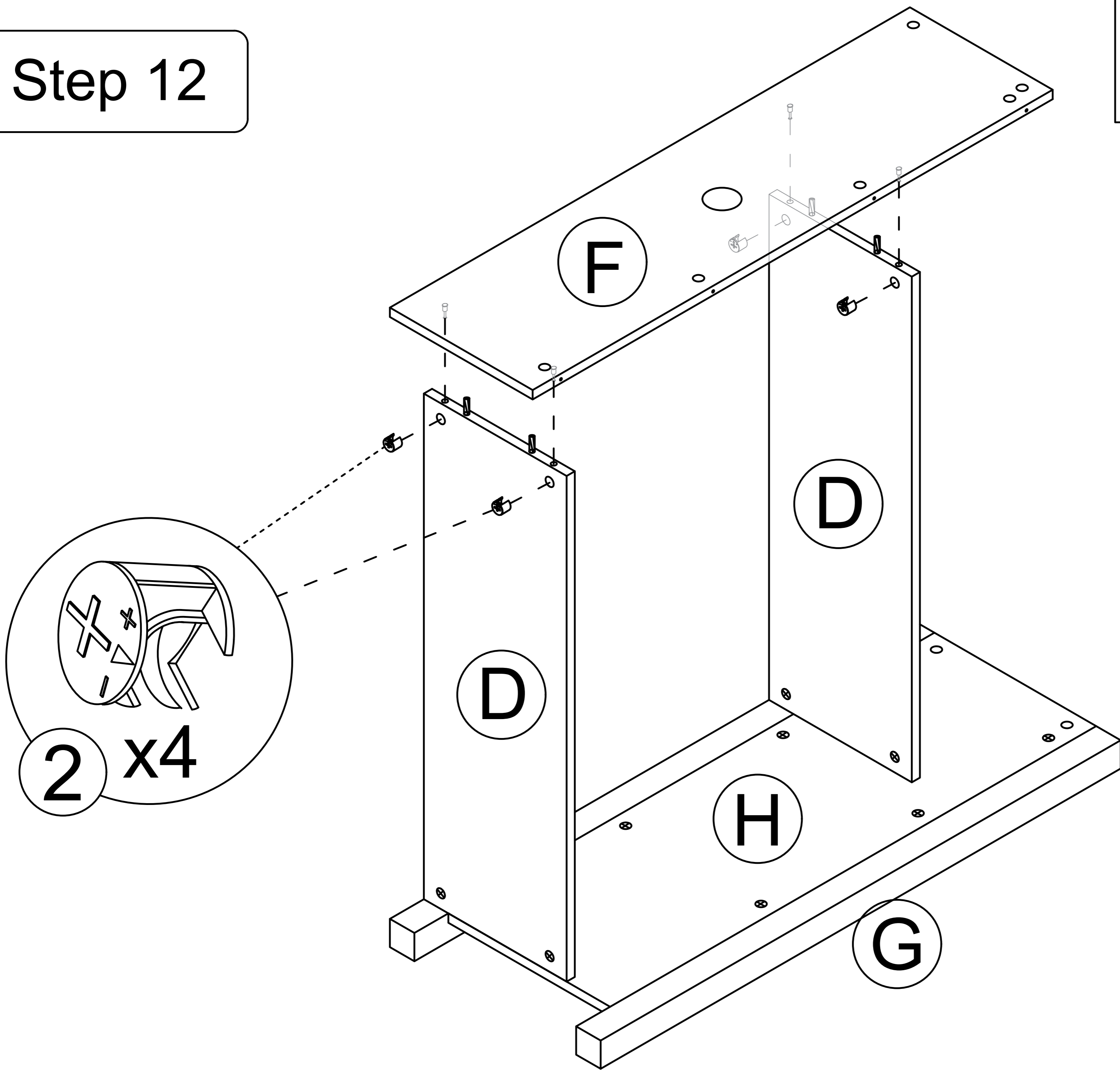


Step 11

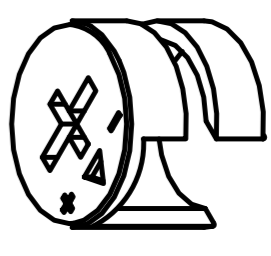


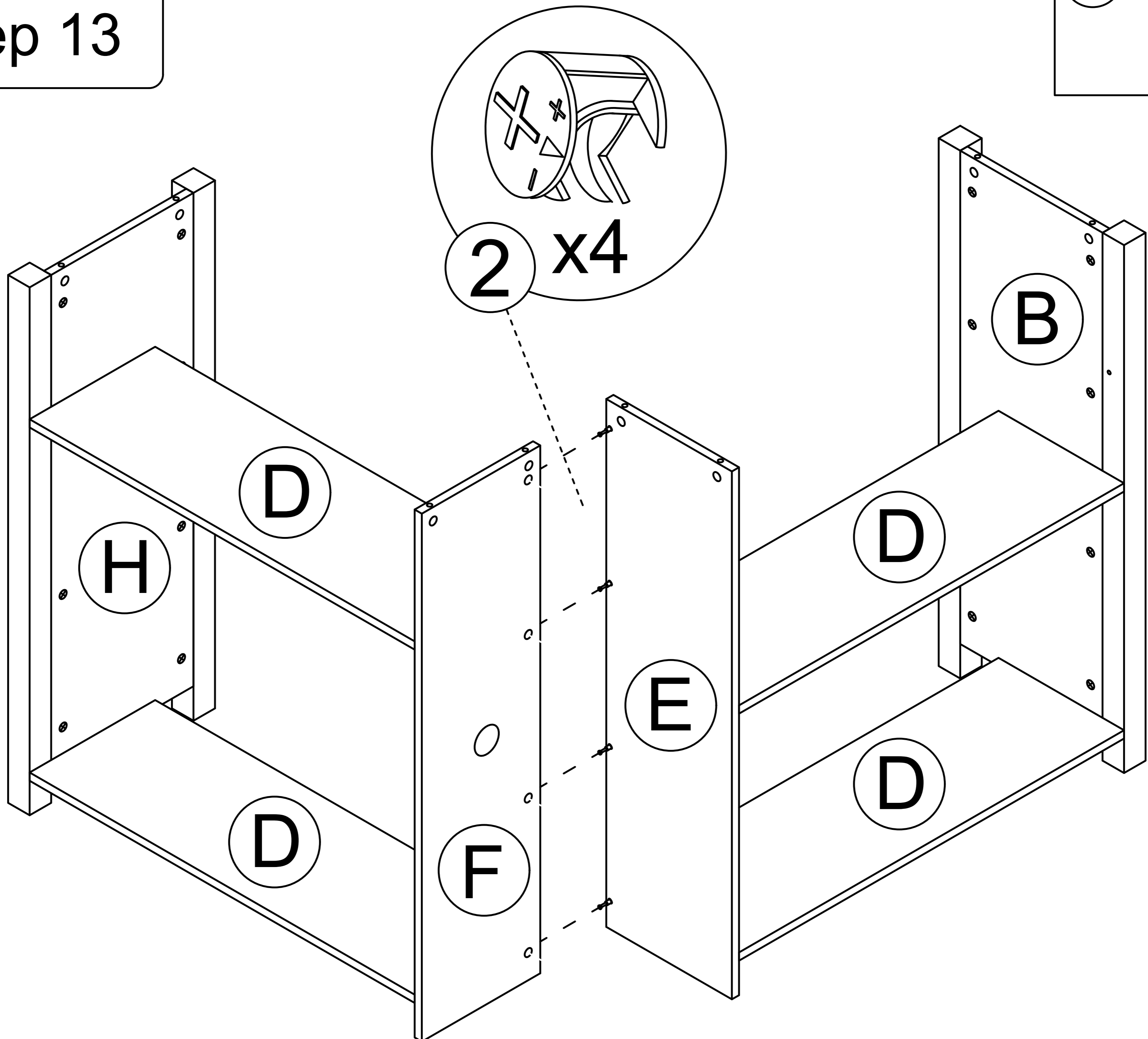
Step 12

2  x4

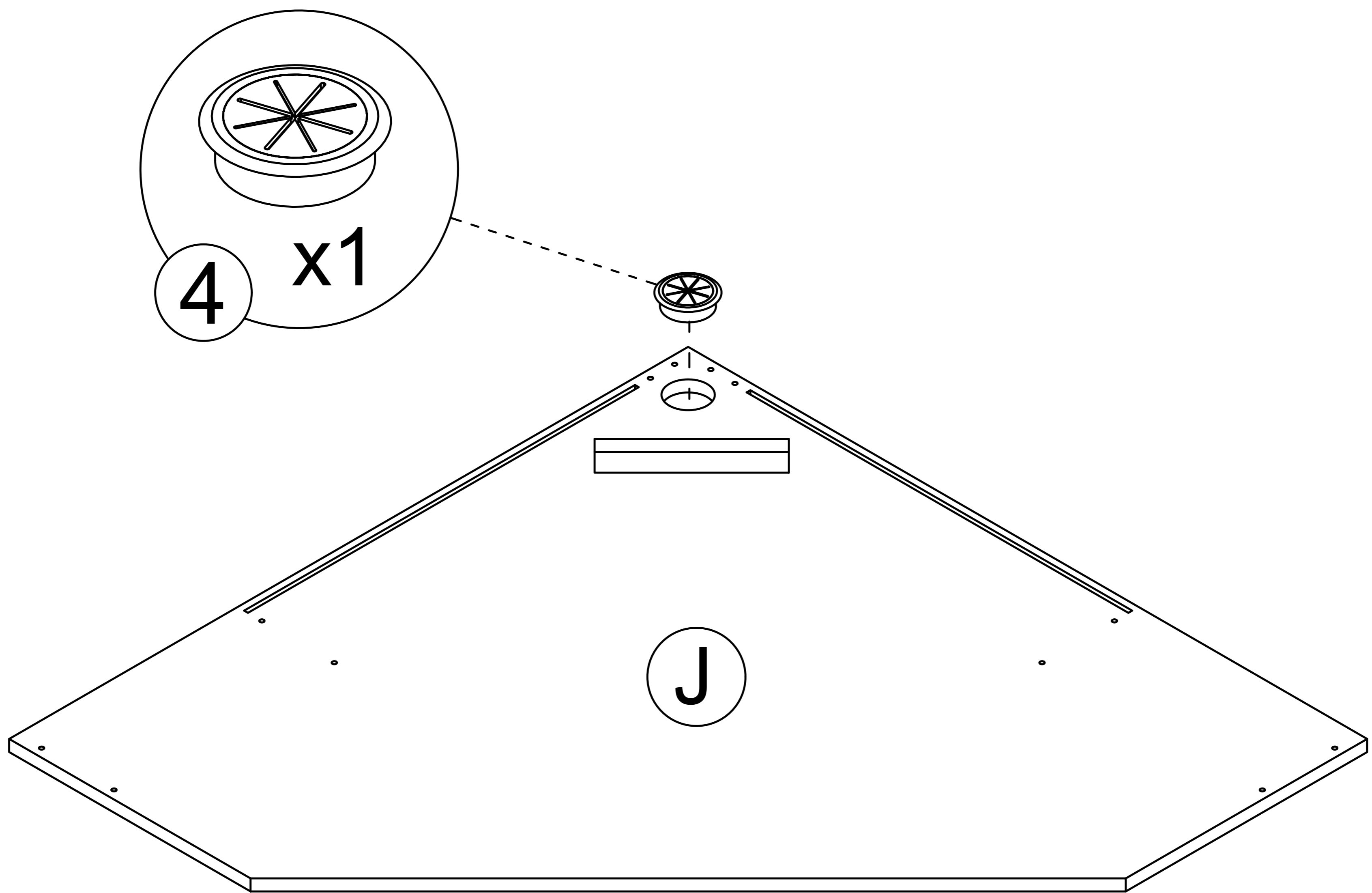
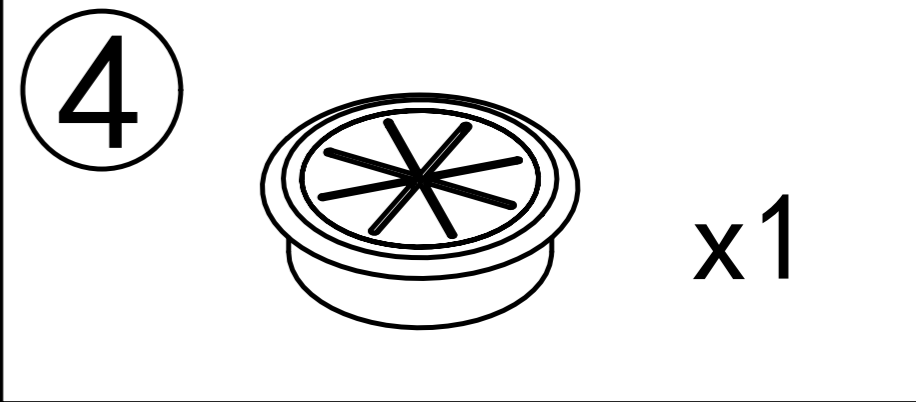


Step 13

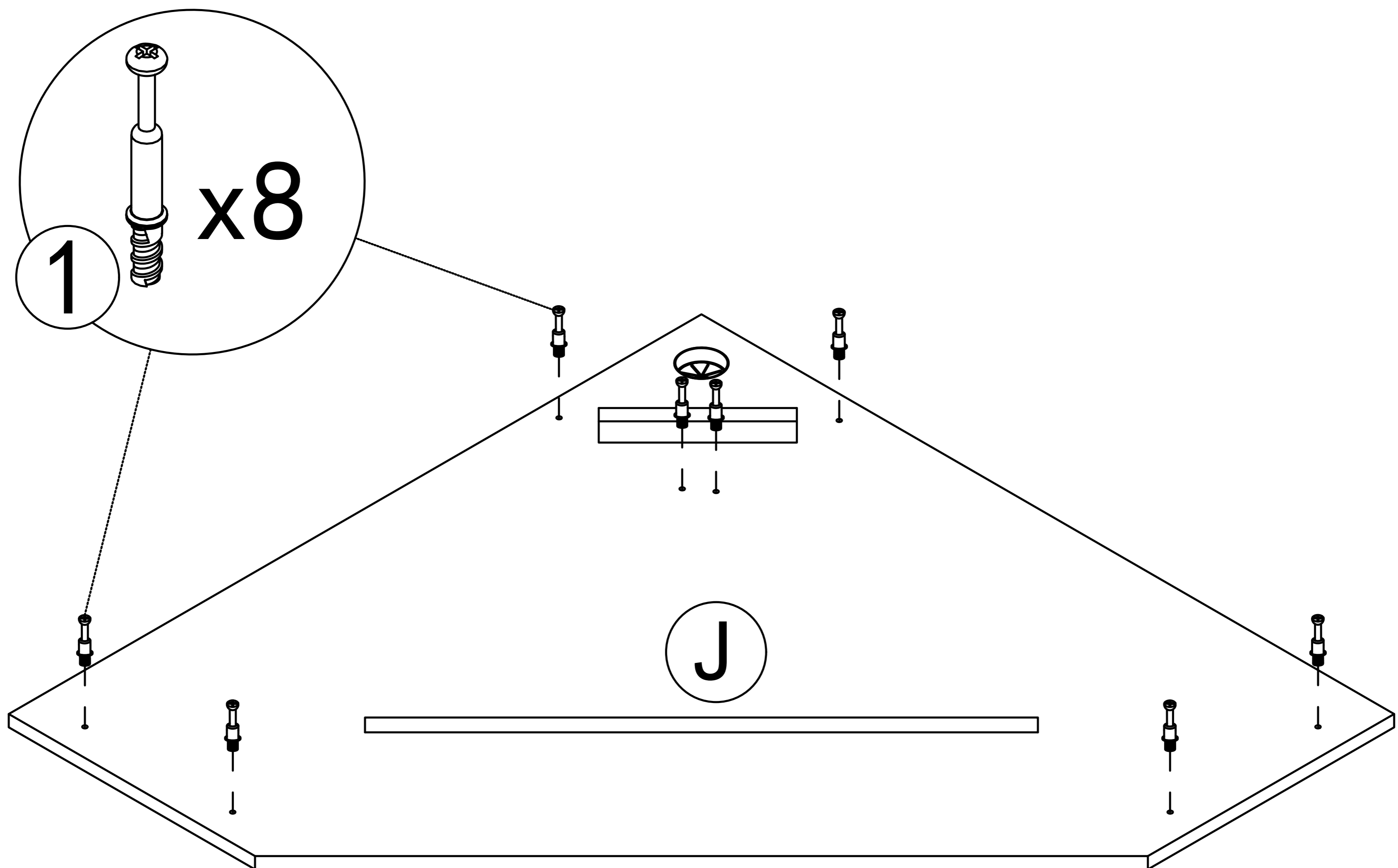
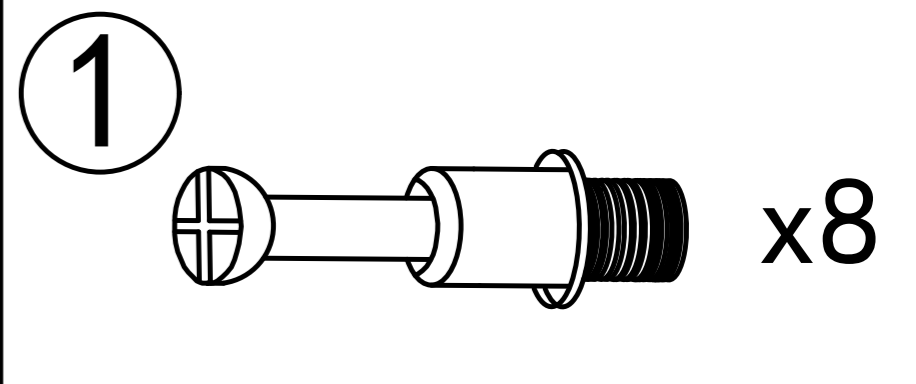
2  x4



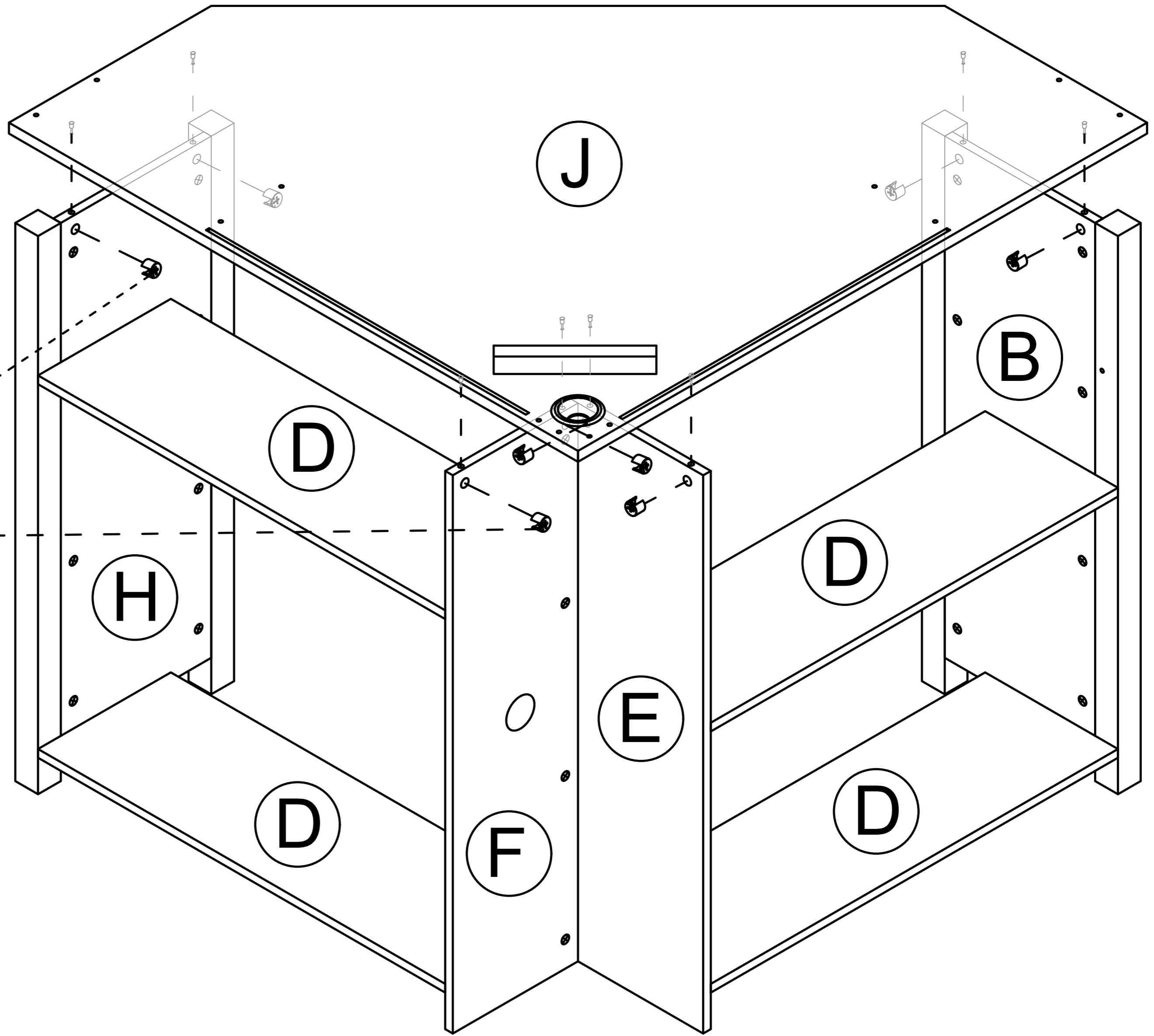
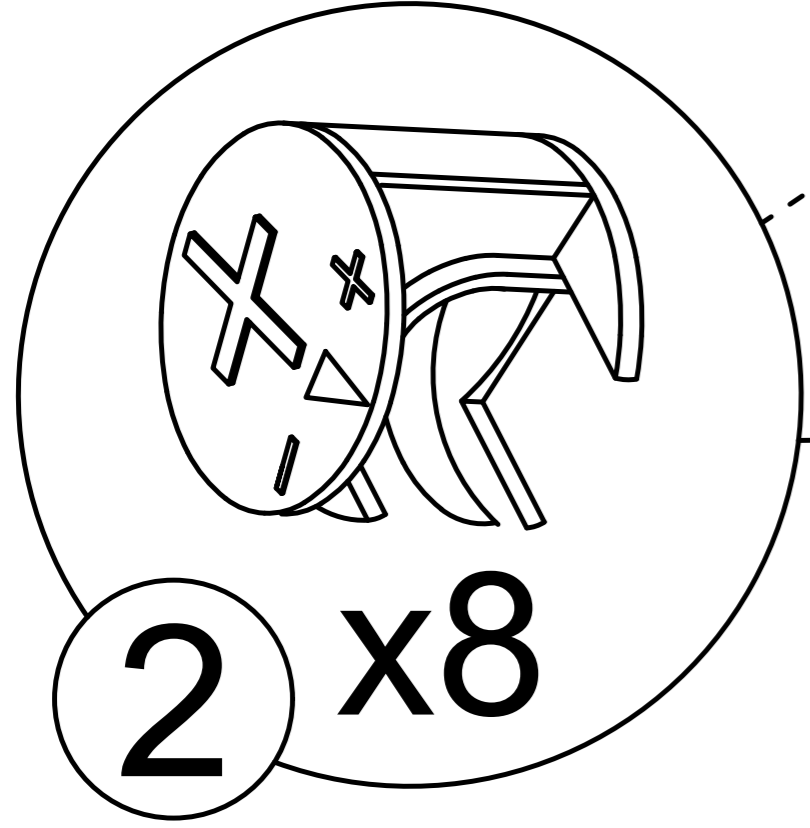
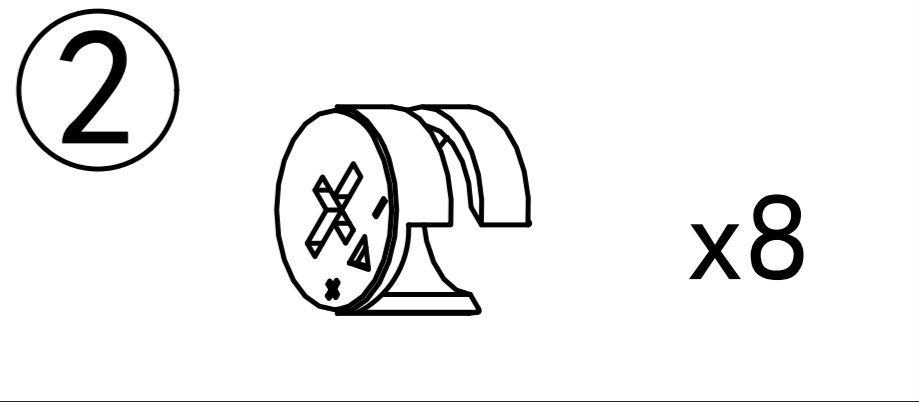
Step 14



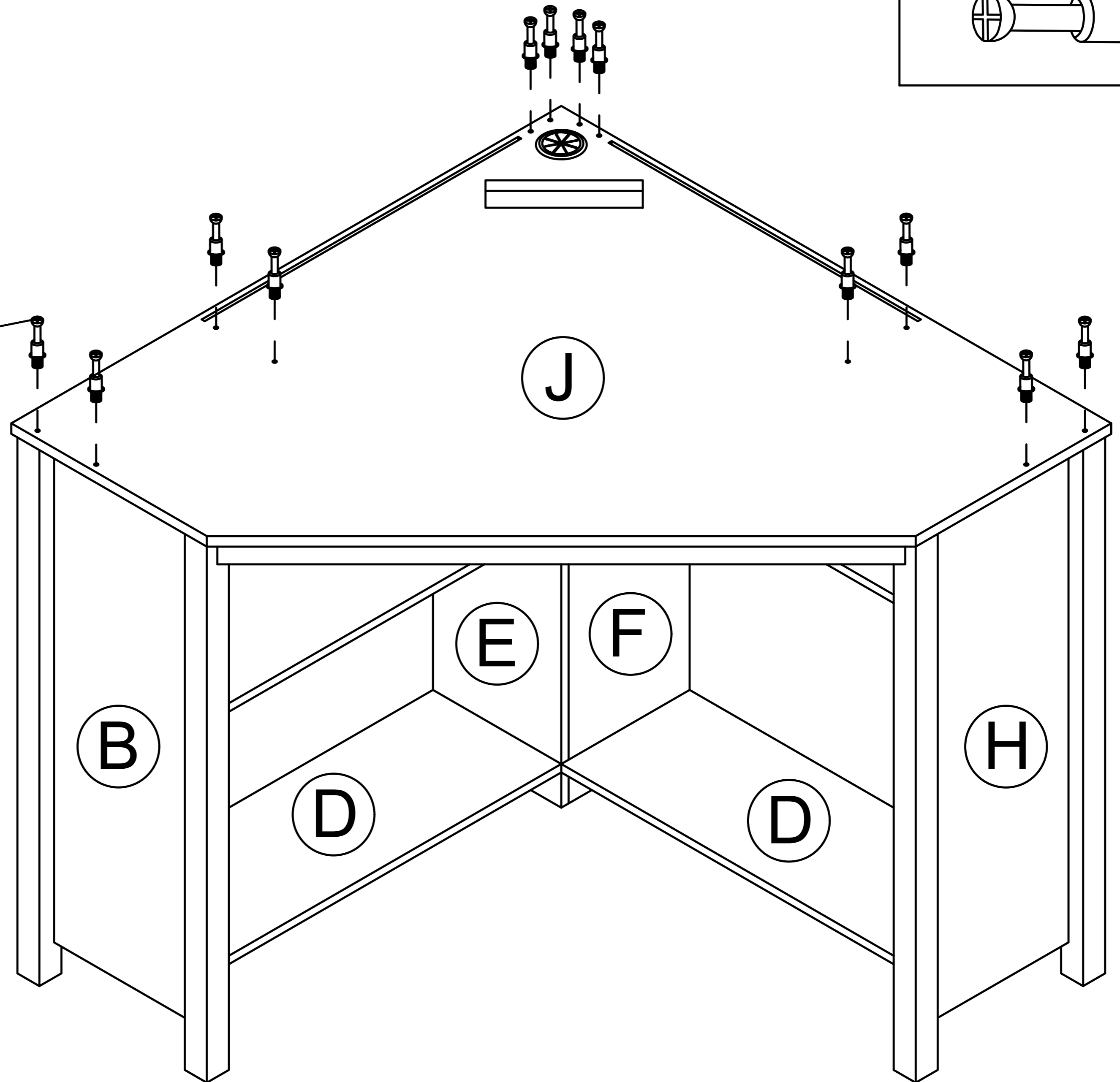
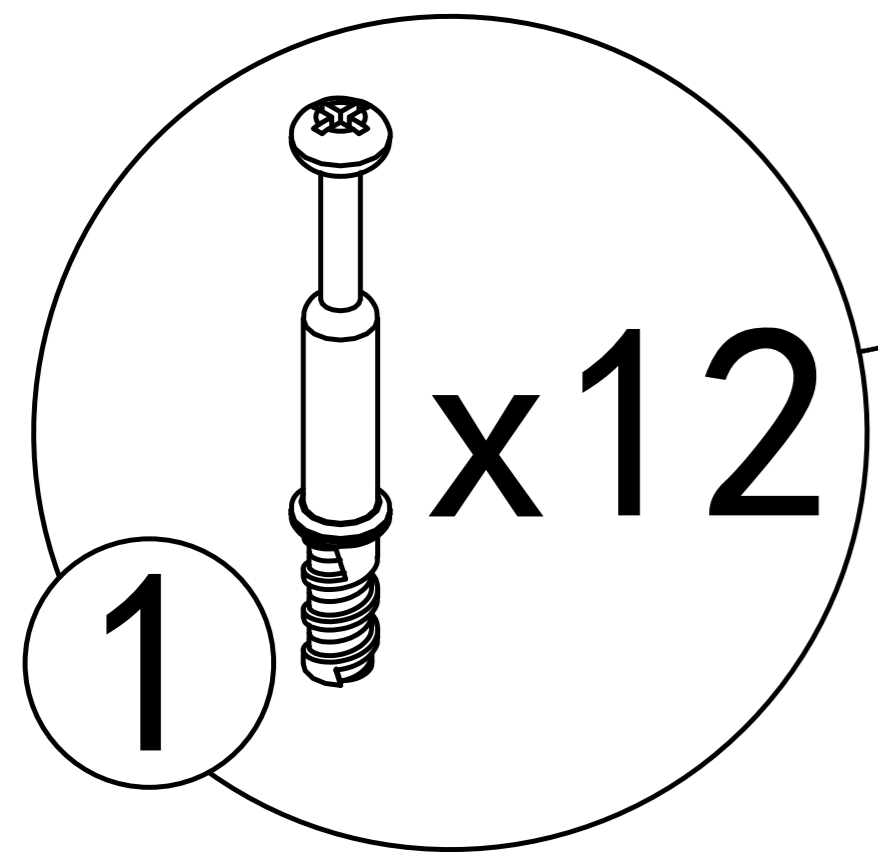
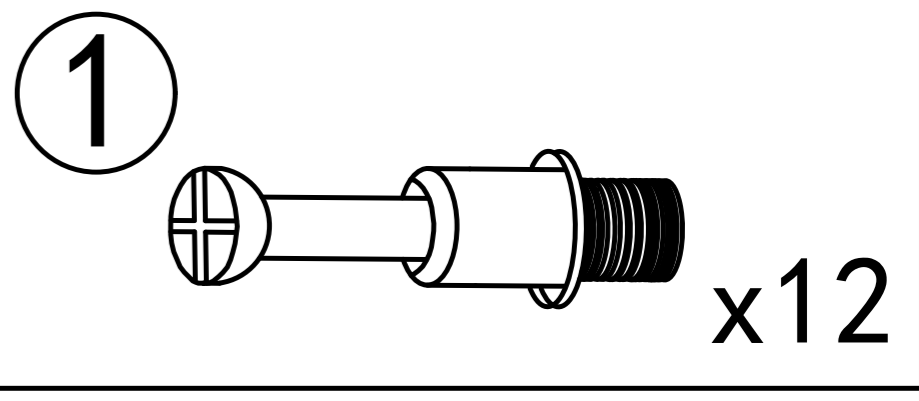
Step 15

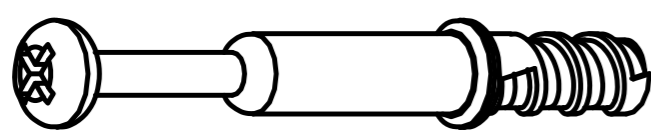
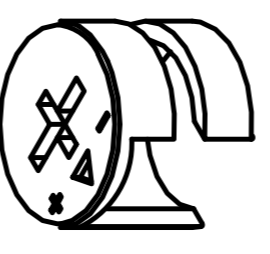
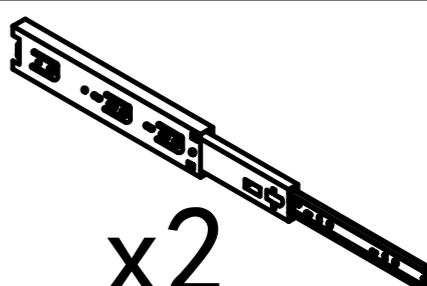

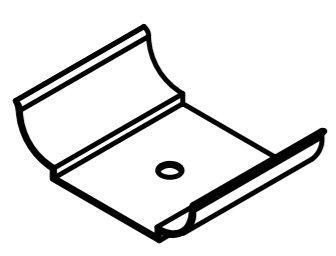
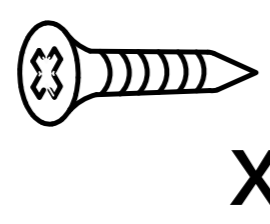
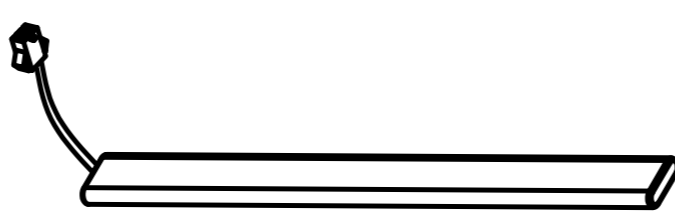
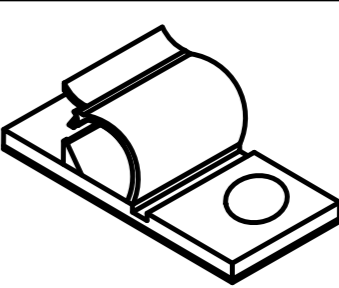
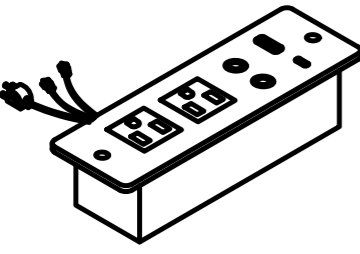
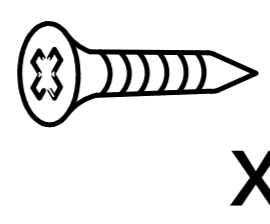
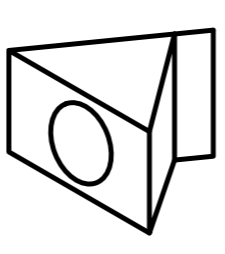
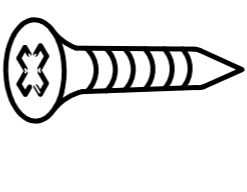

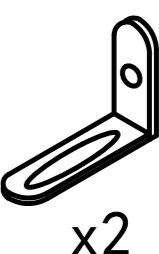
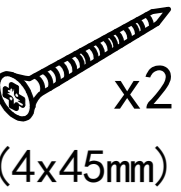
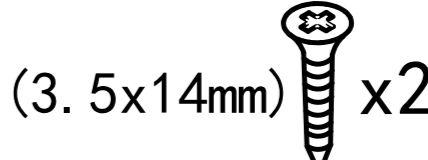



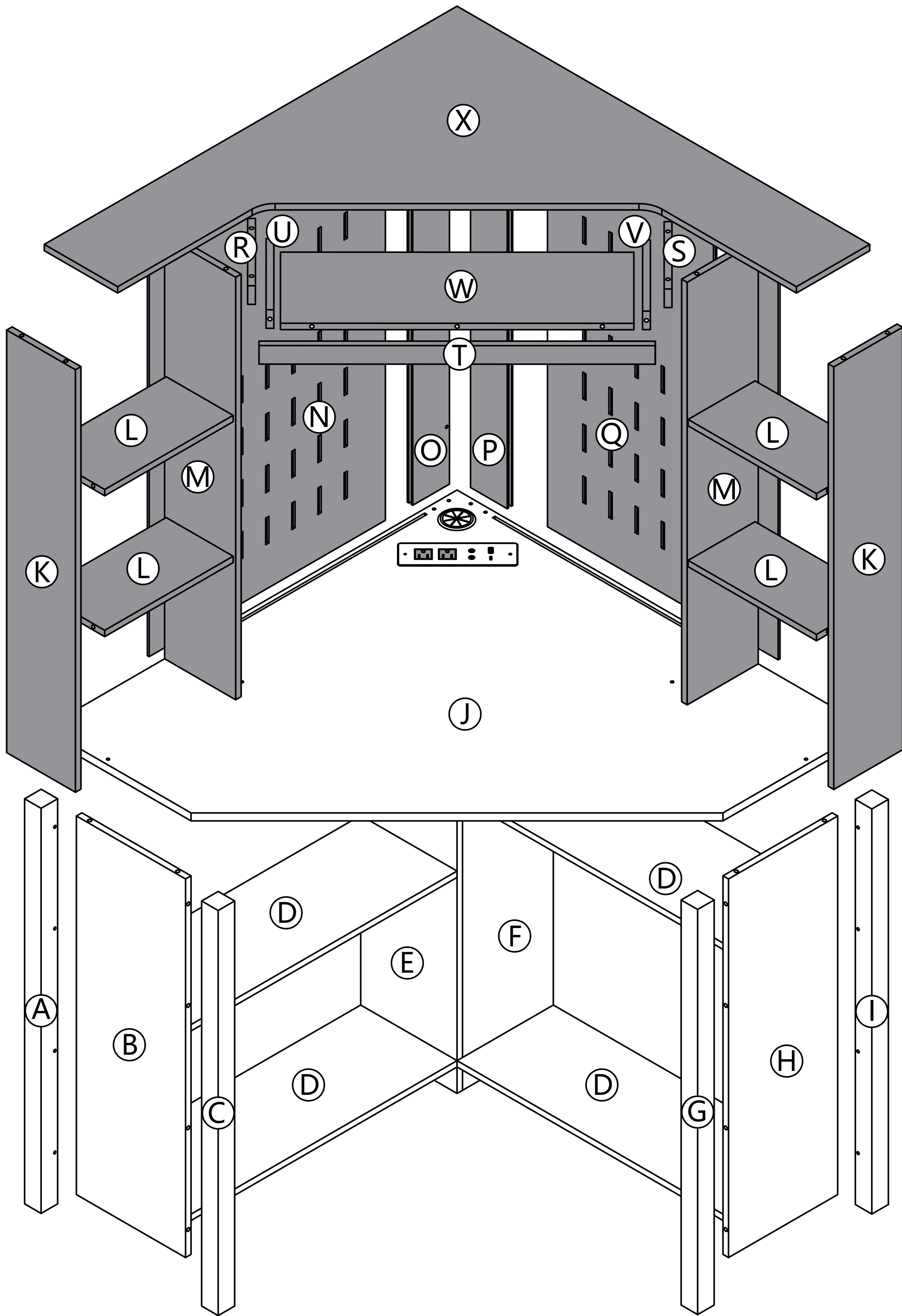
Step 16



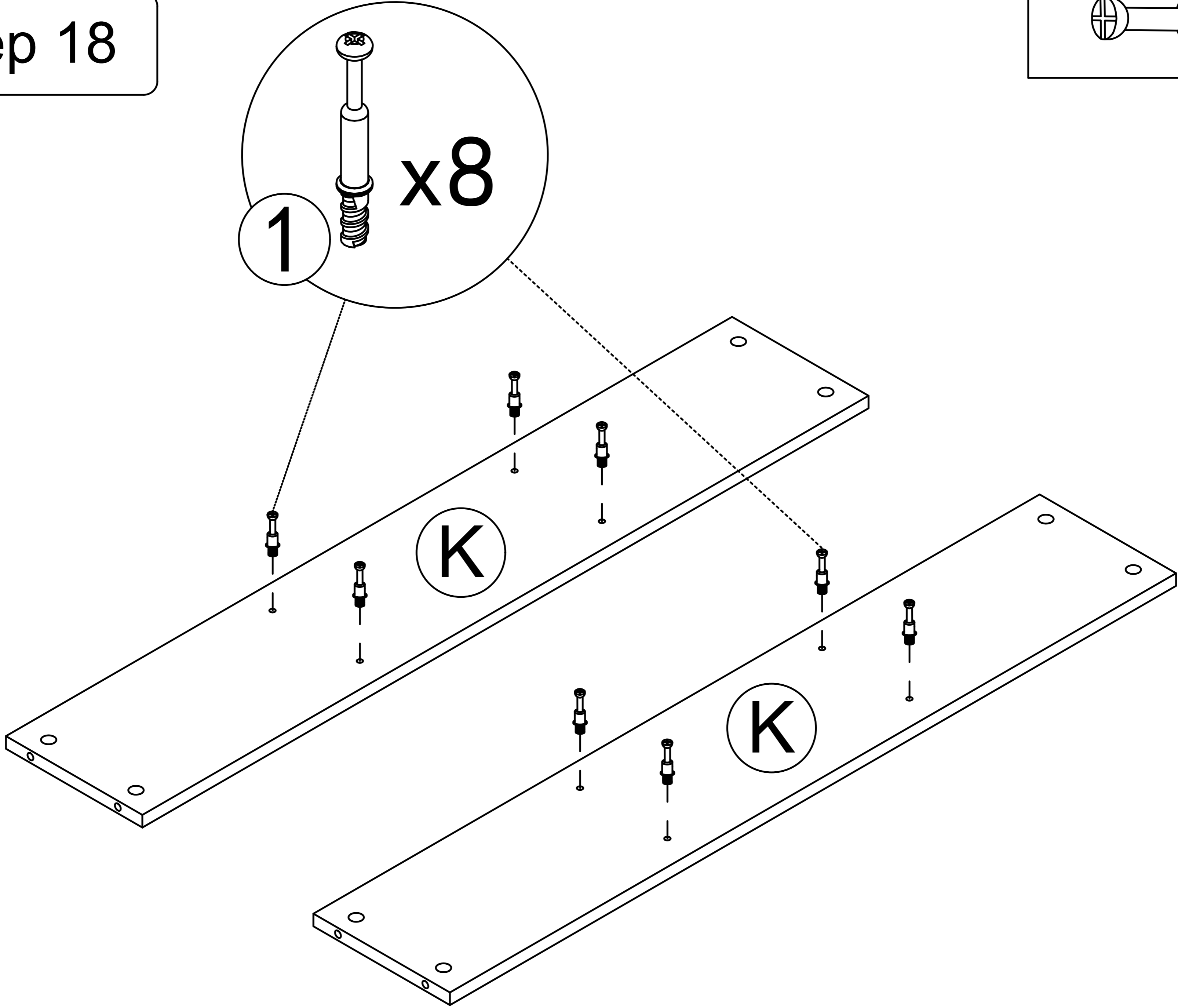
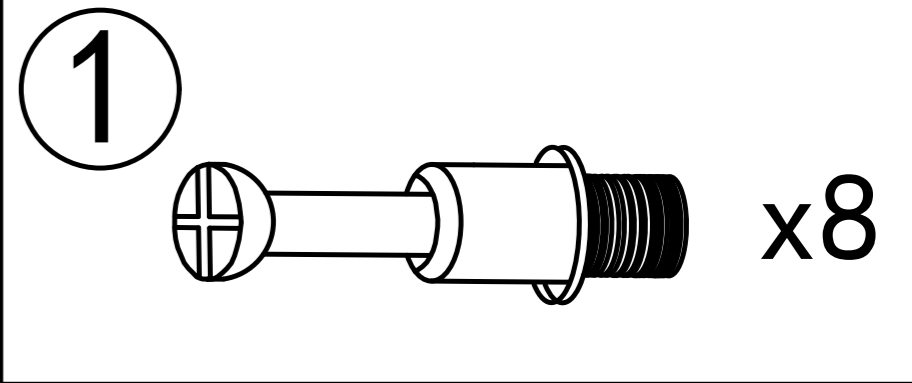
Step 17



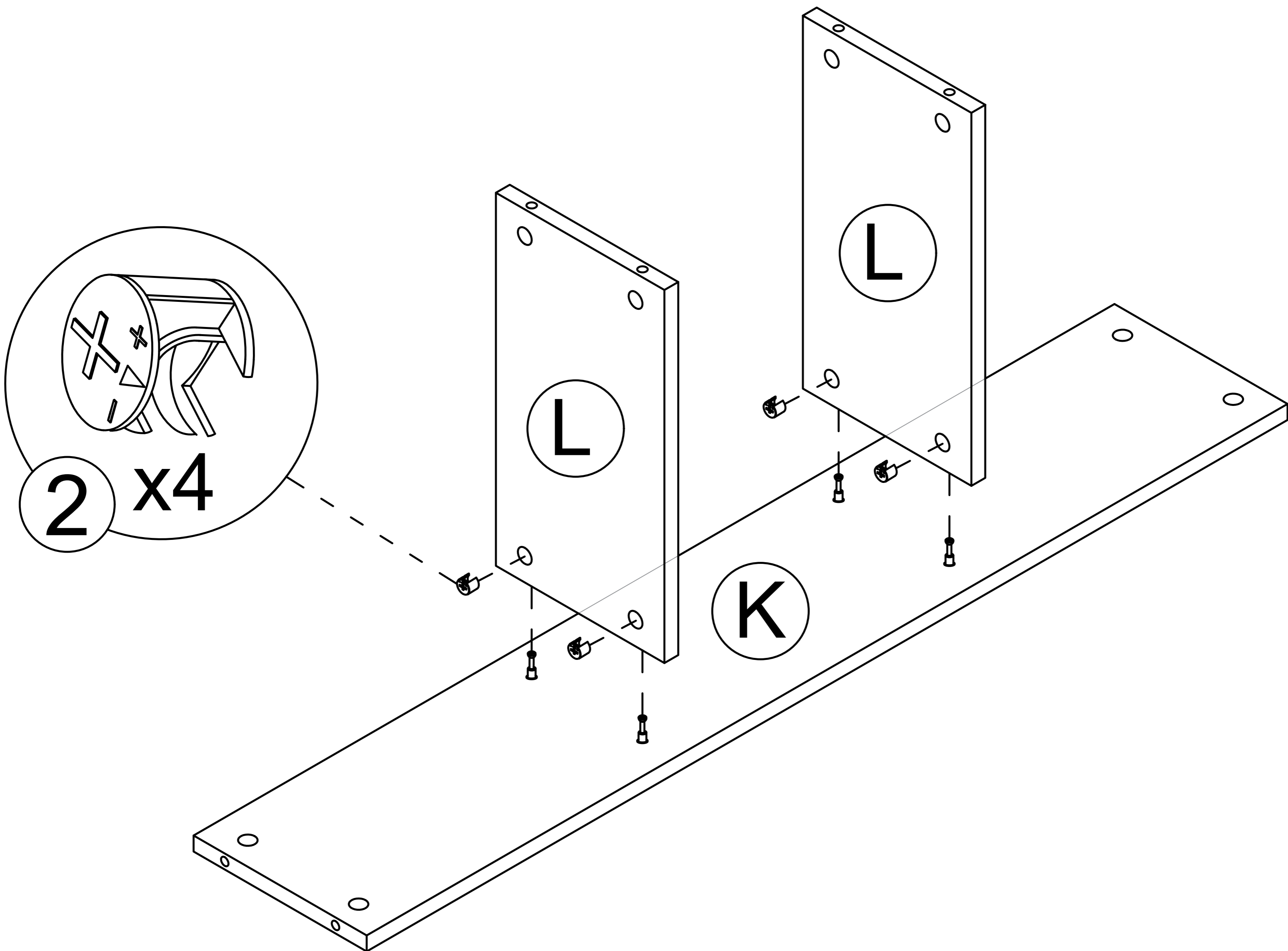
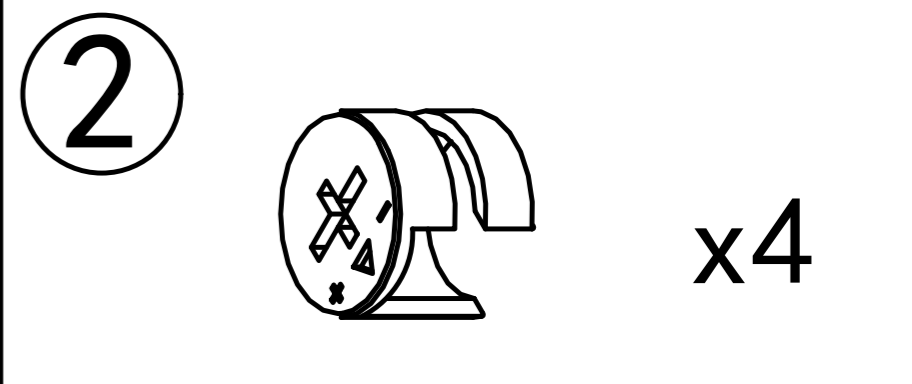
①	 44pcs	②	 56pcs	⑤	 x2  x8
⑥	 x3  x3	⑦	 1pcs	⑧	 3pcs
⑪	 x1  x2	⑫	 16pcs 	⑬	 x2  x2  x2 (4x45mm)  (3.5x14mm) x2  x4



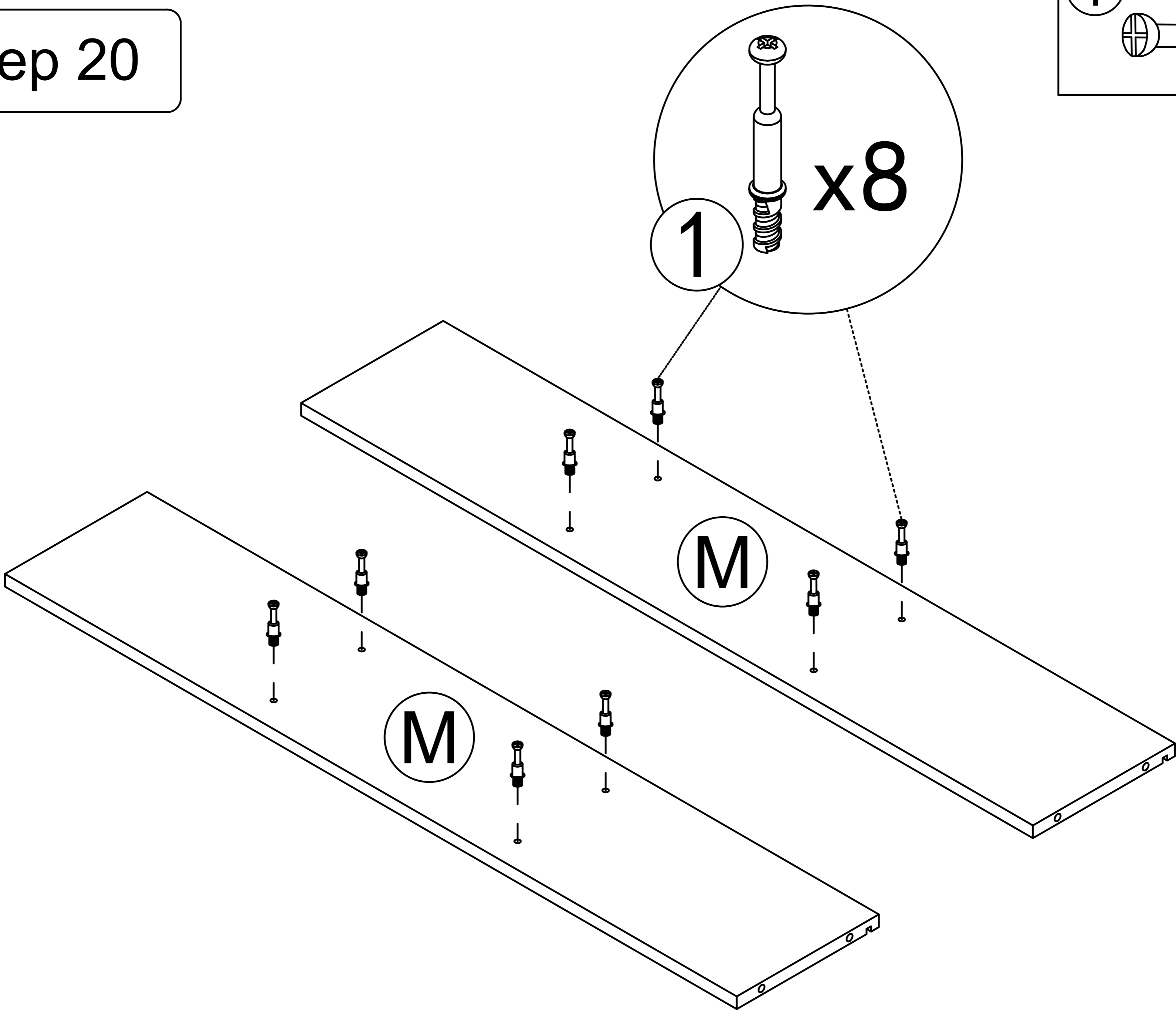
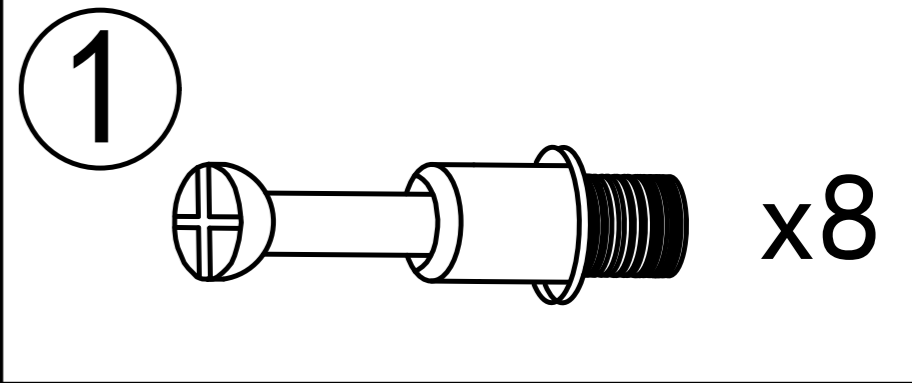
Step 18



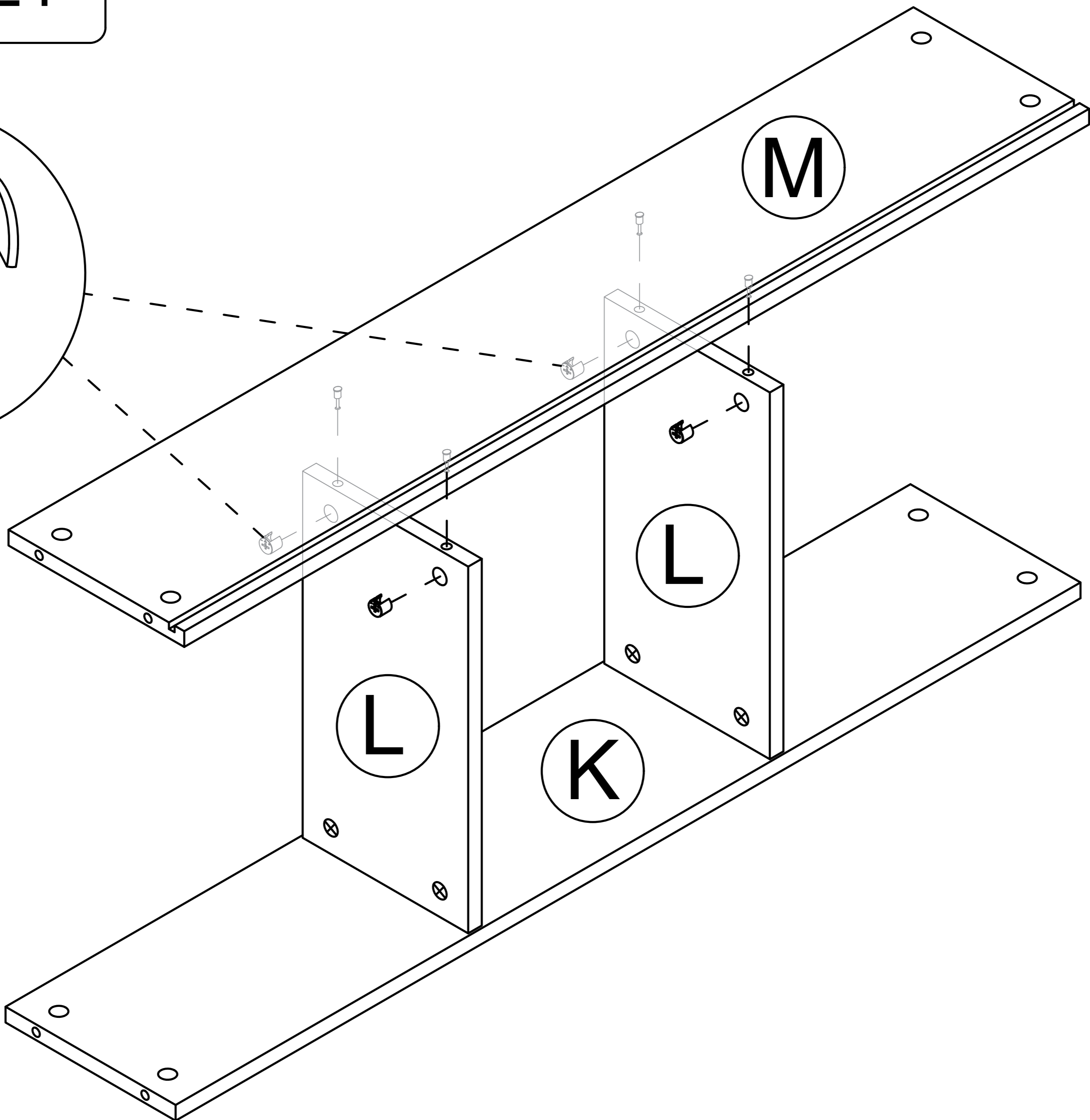
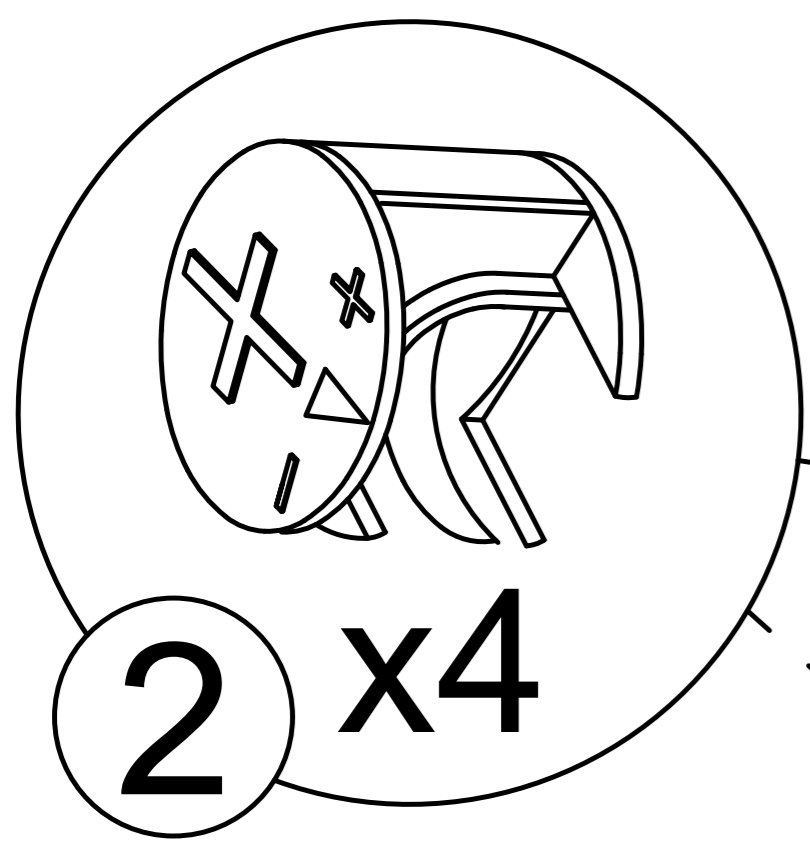
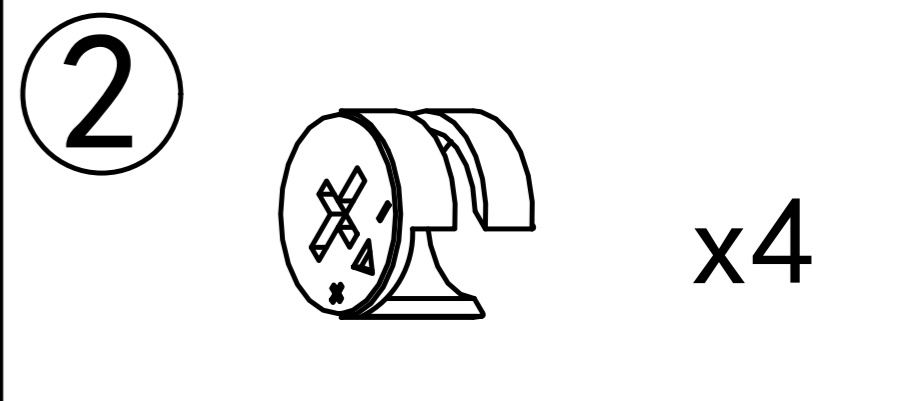
Step 19



Step 20

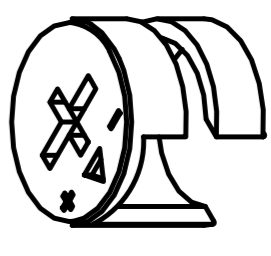


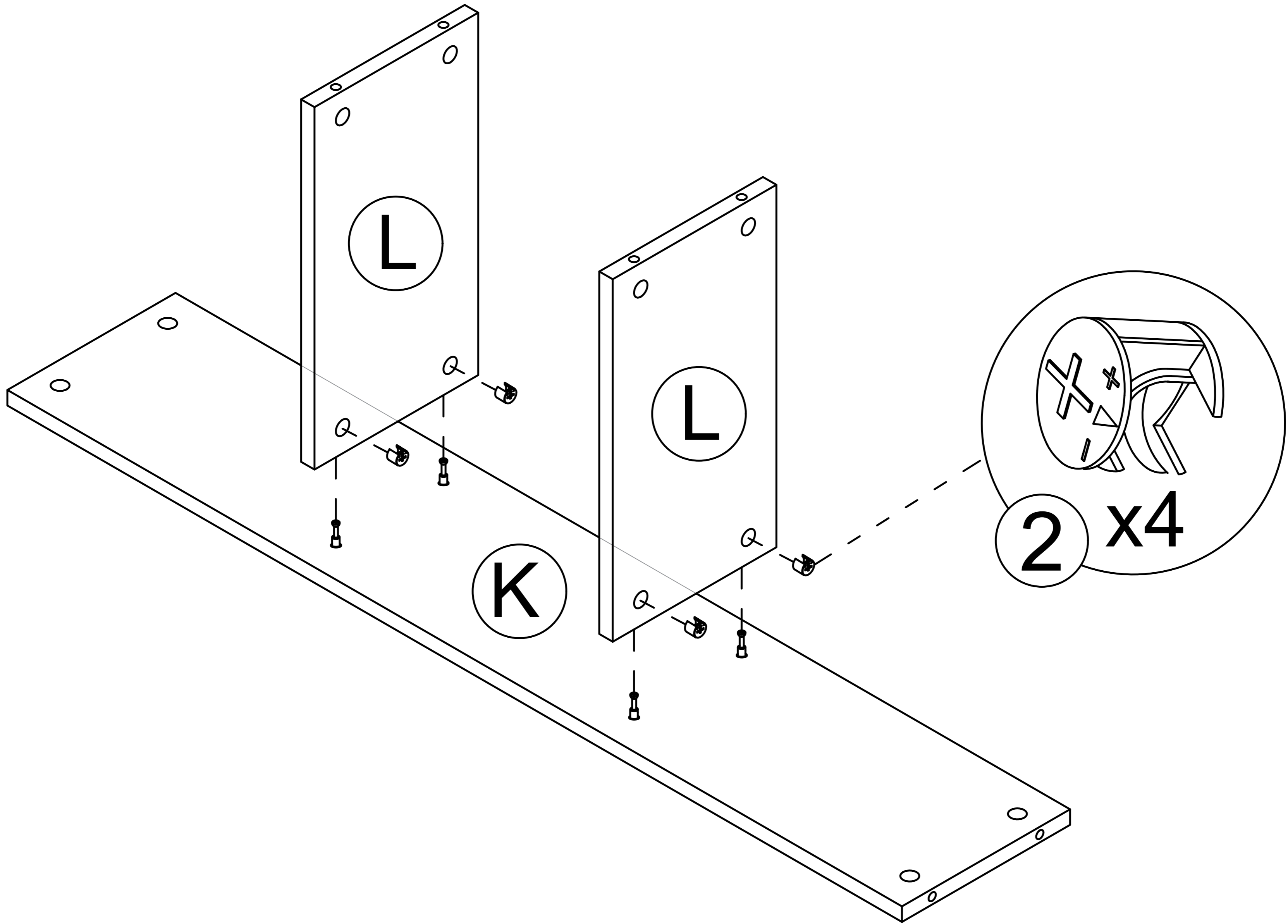
Step 21

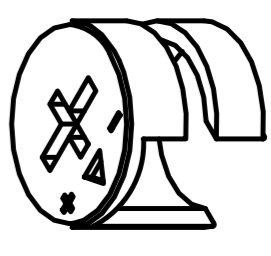


Left

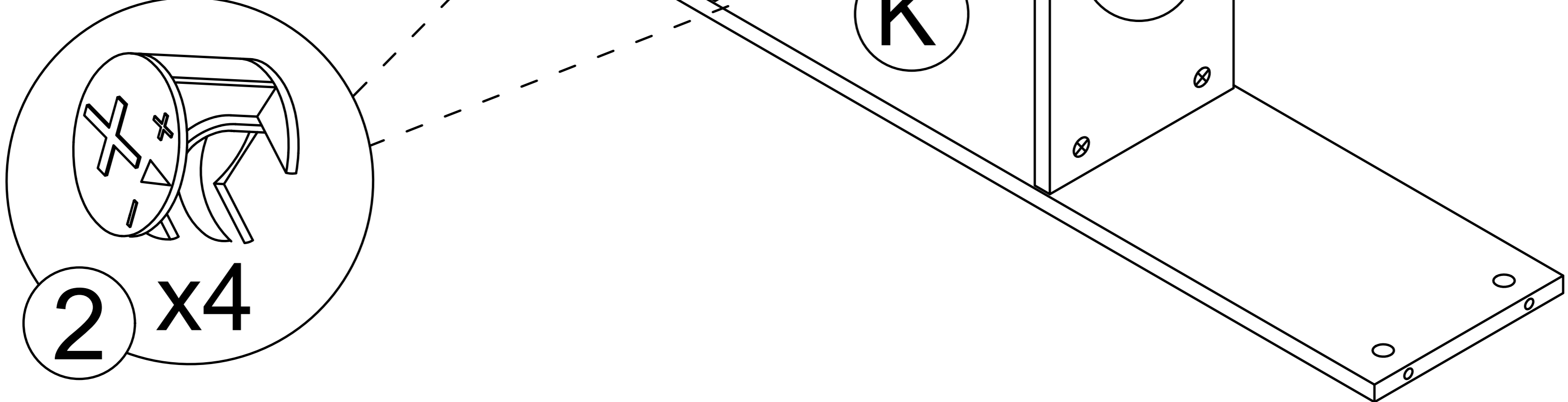
Note:

2  x4

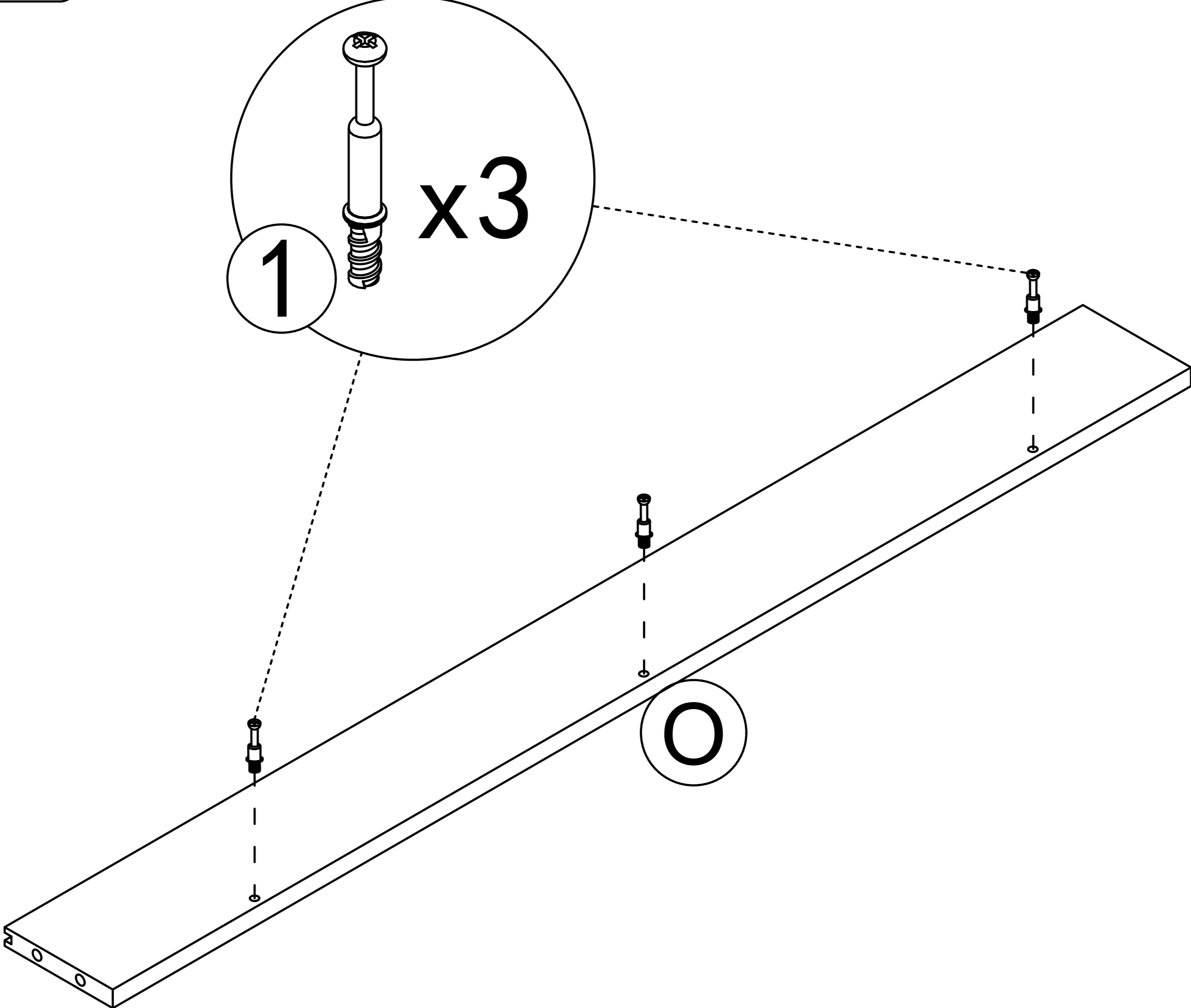
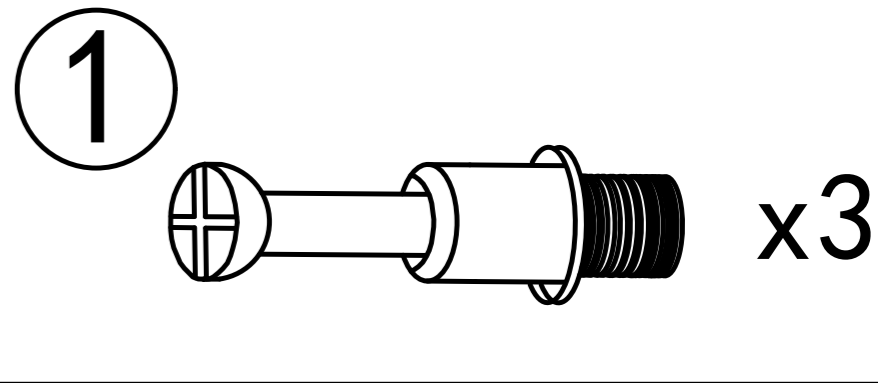


2  x4

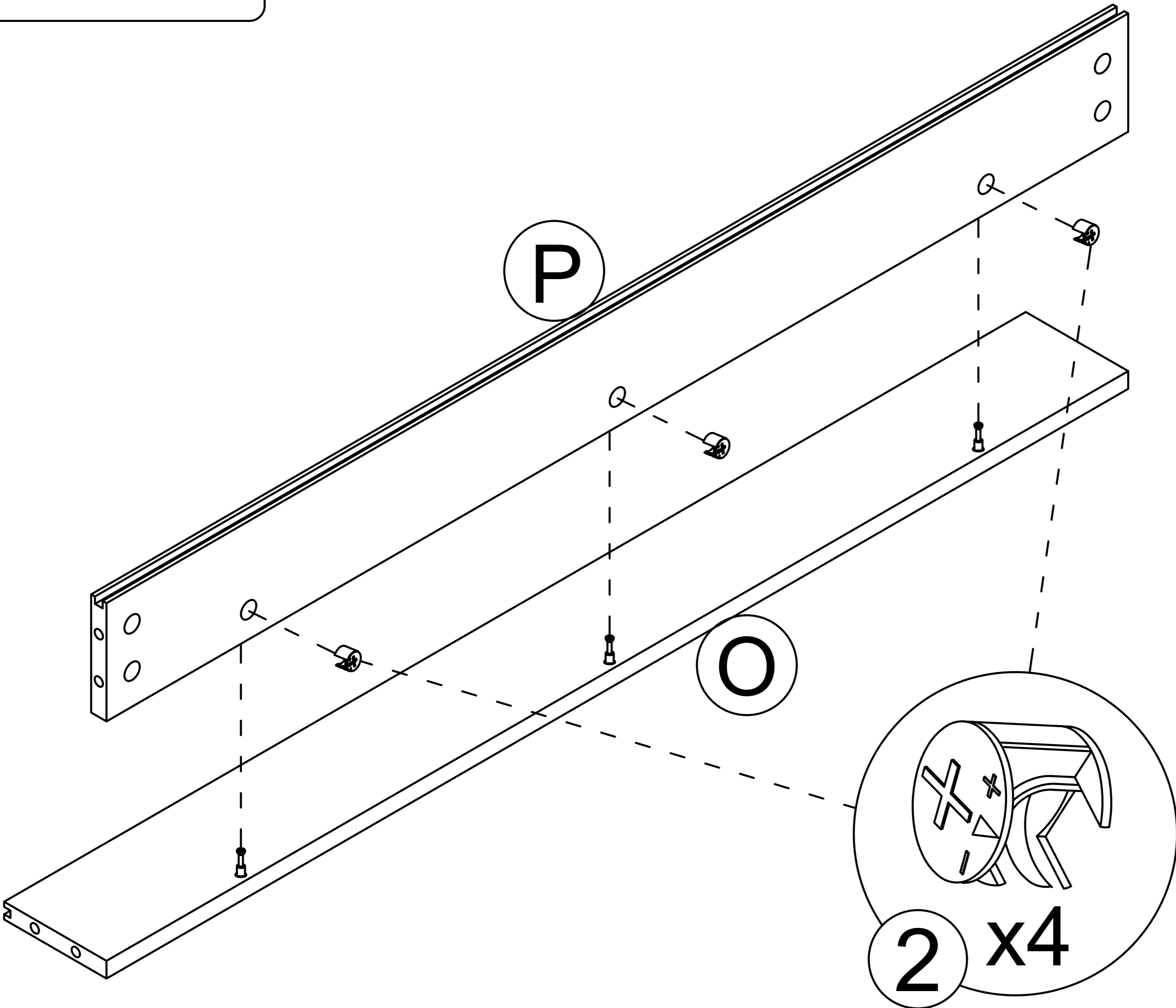
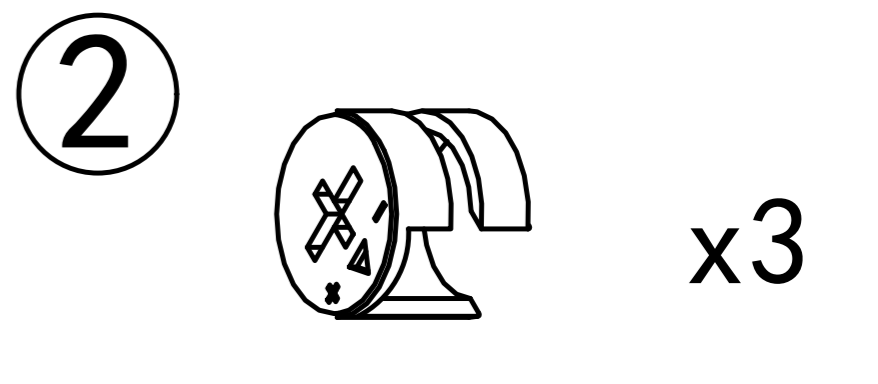
Right



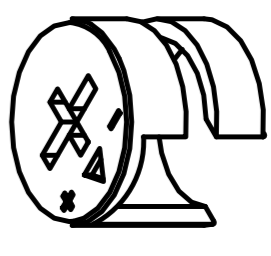
Step 22

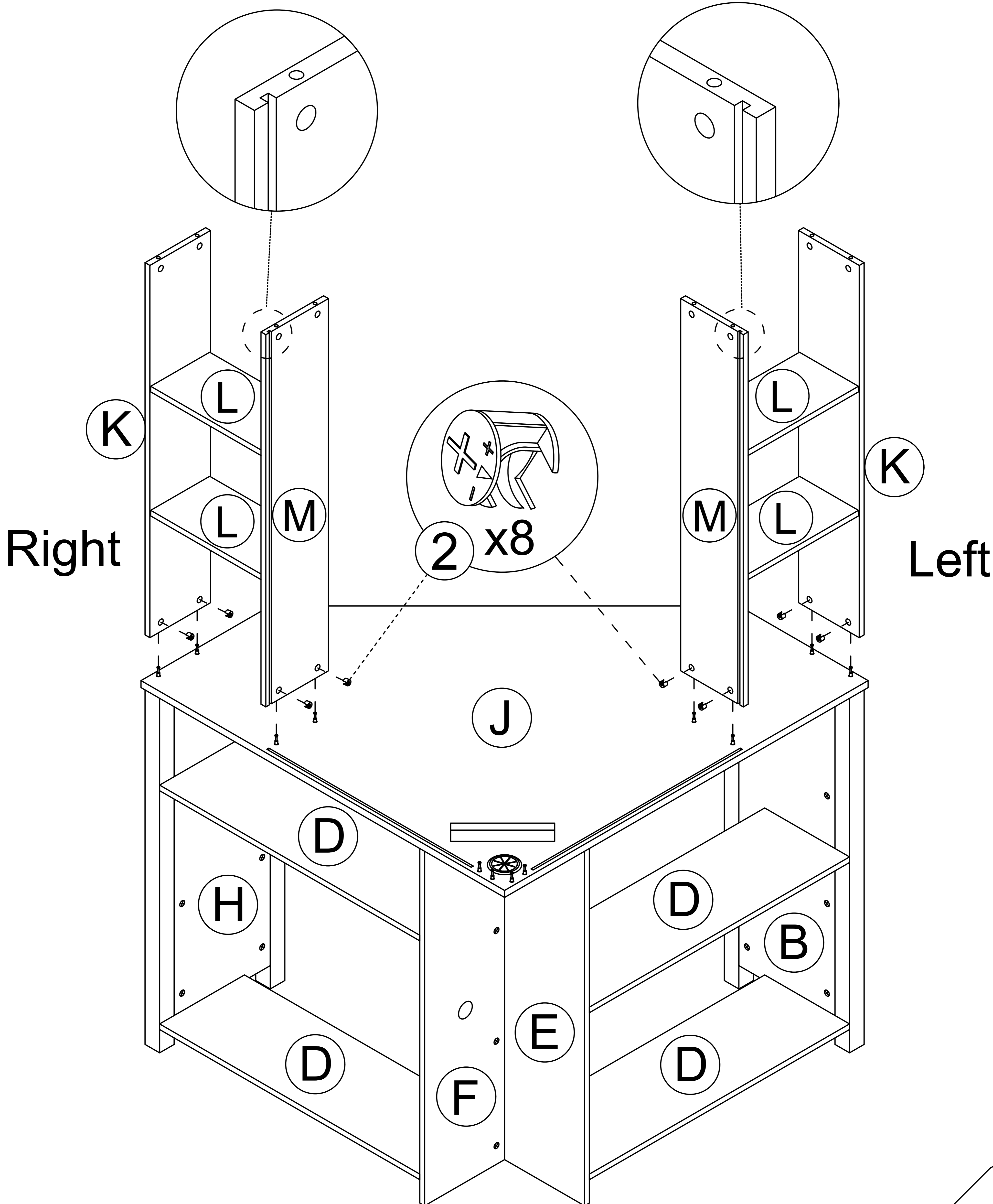


Step 23

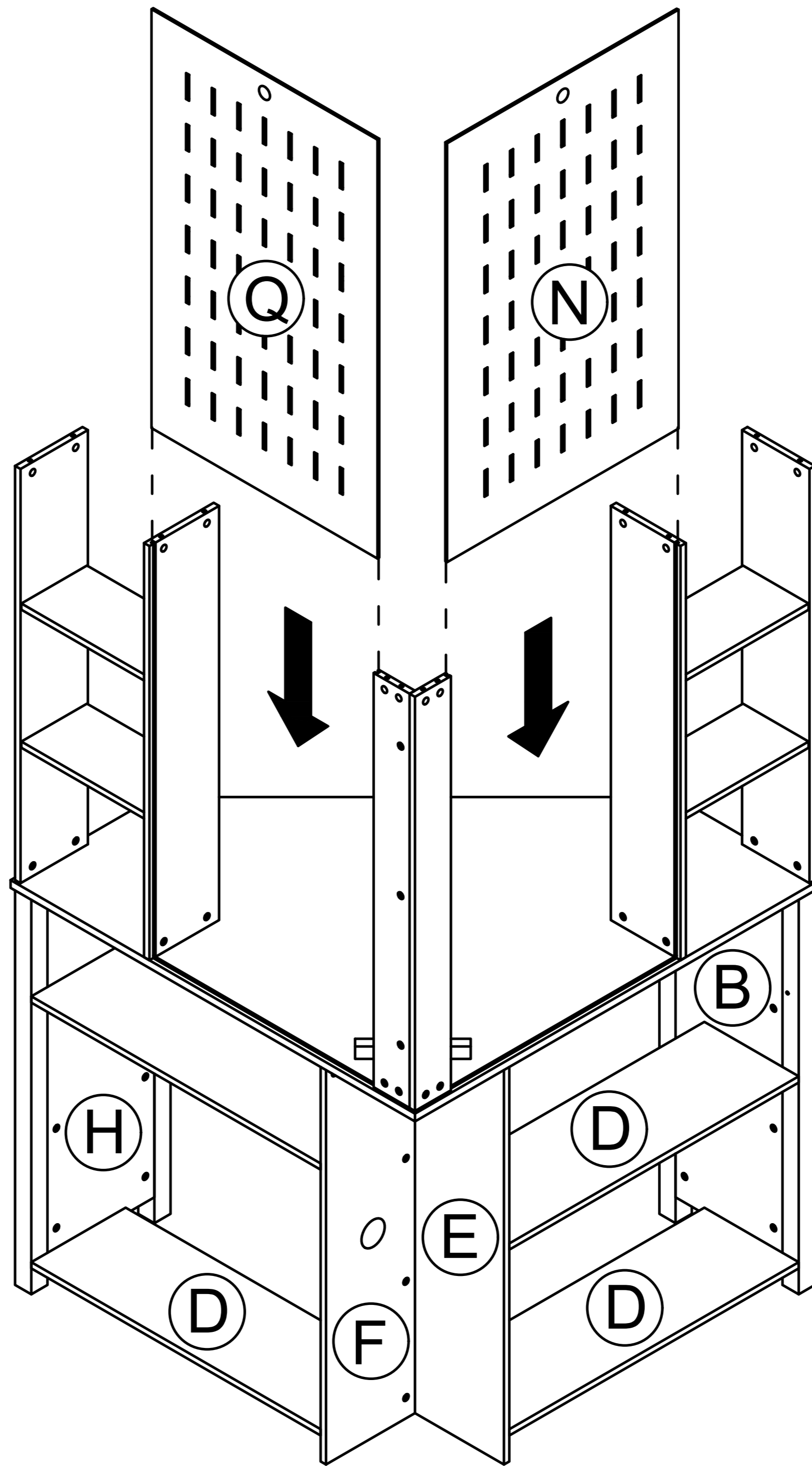


Step 24

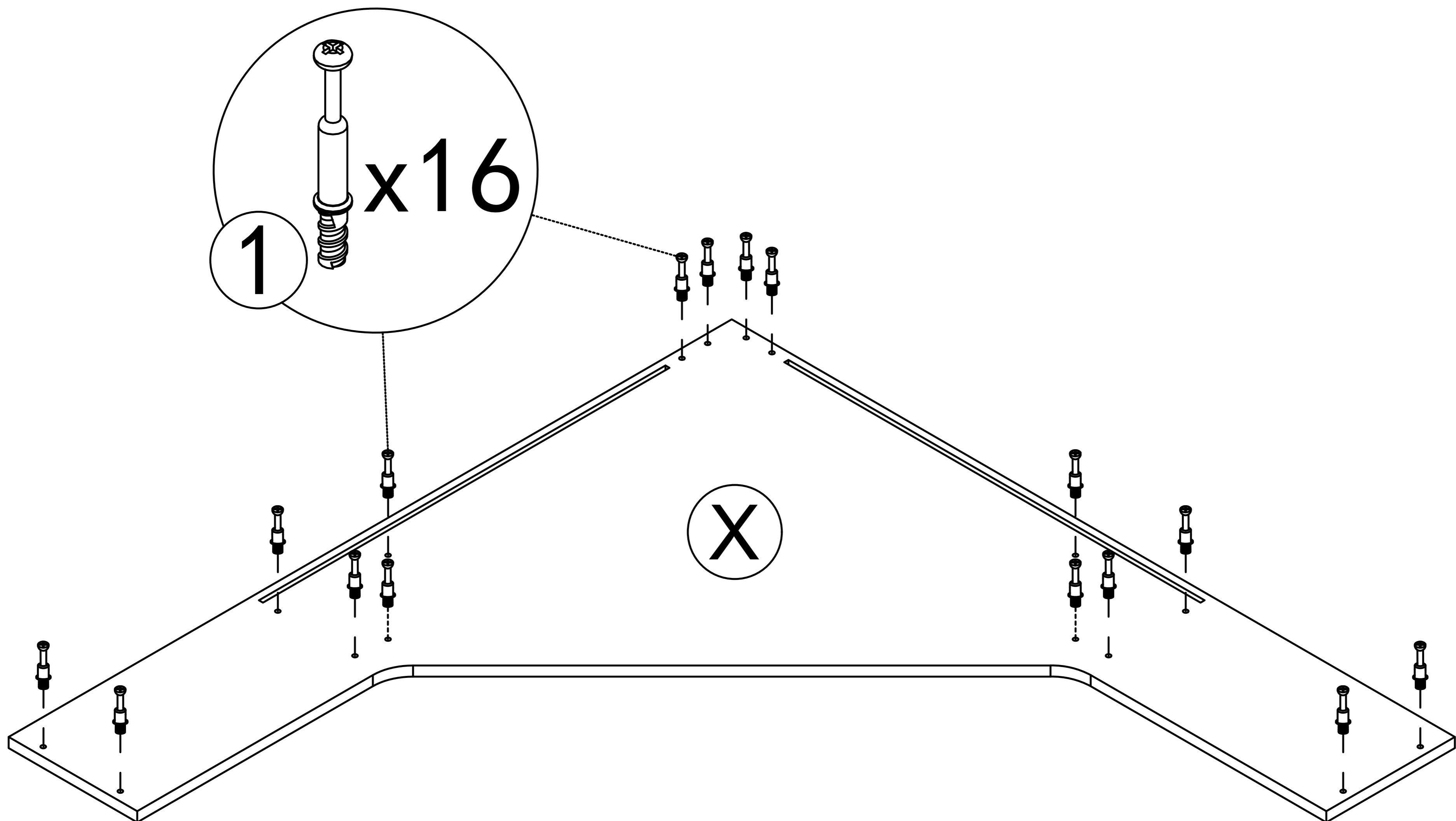
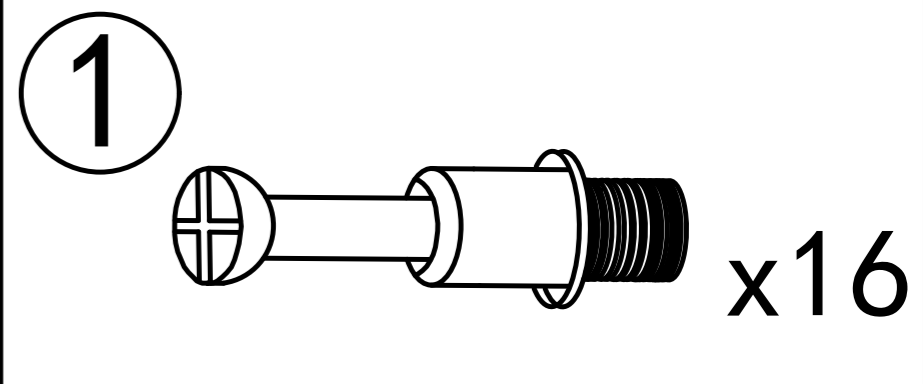
2  x8



Step 26

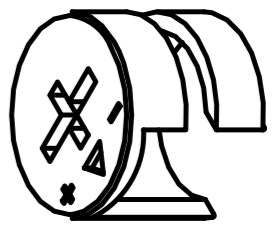


Step 27

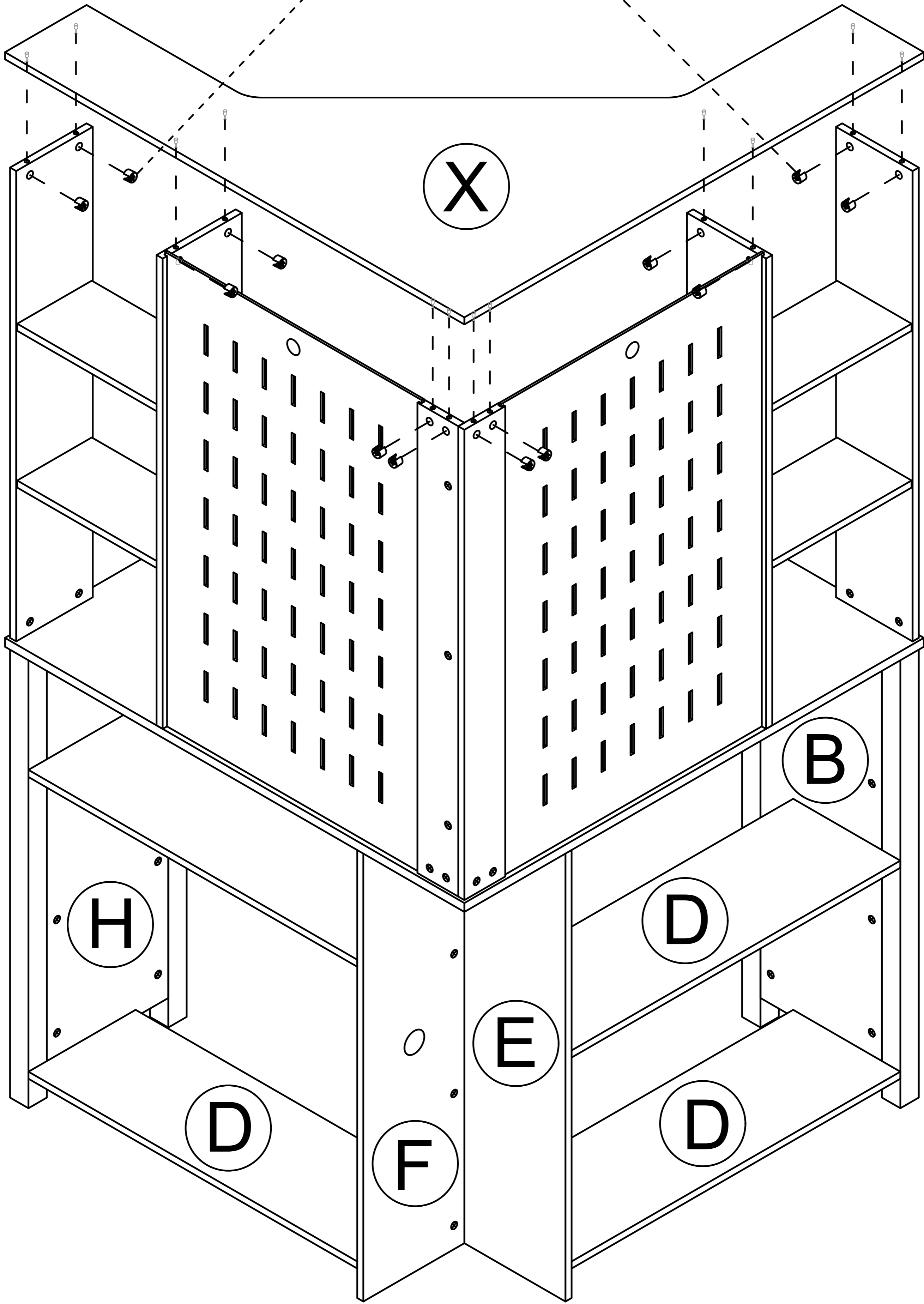
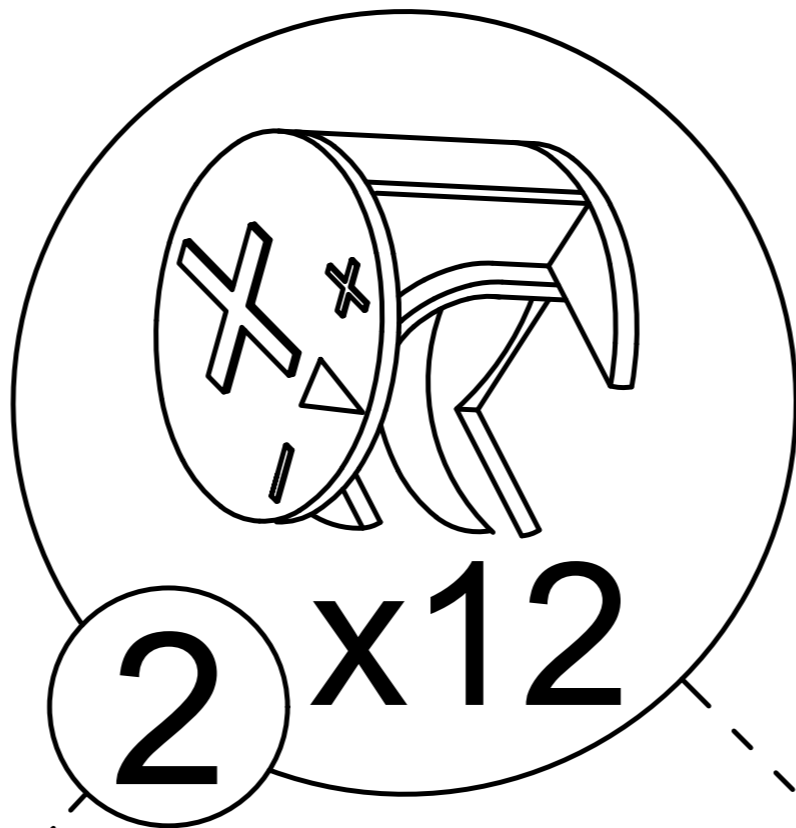


Step 28

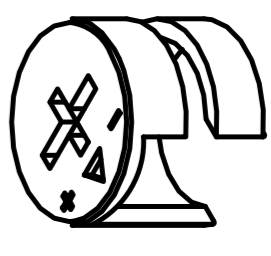
2

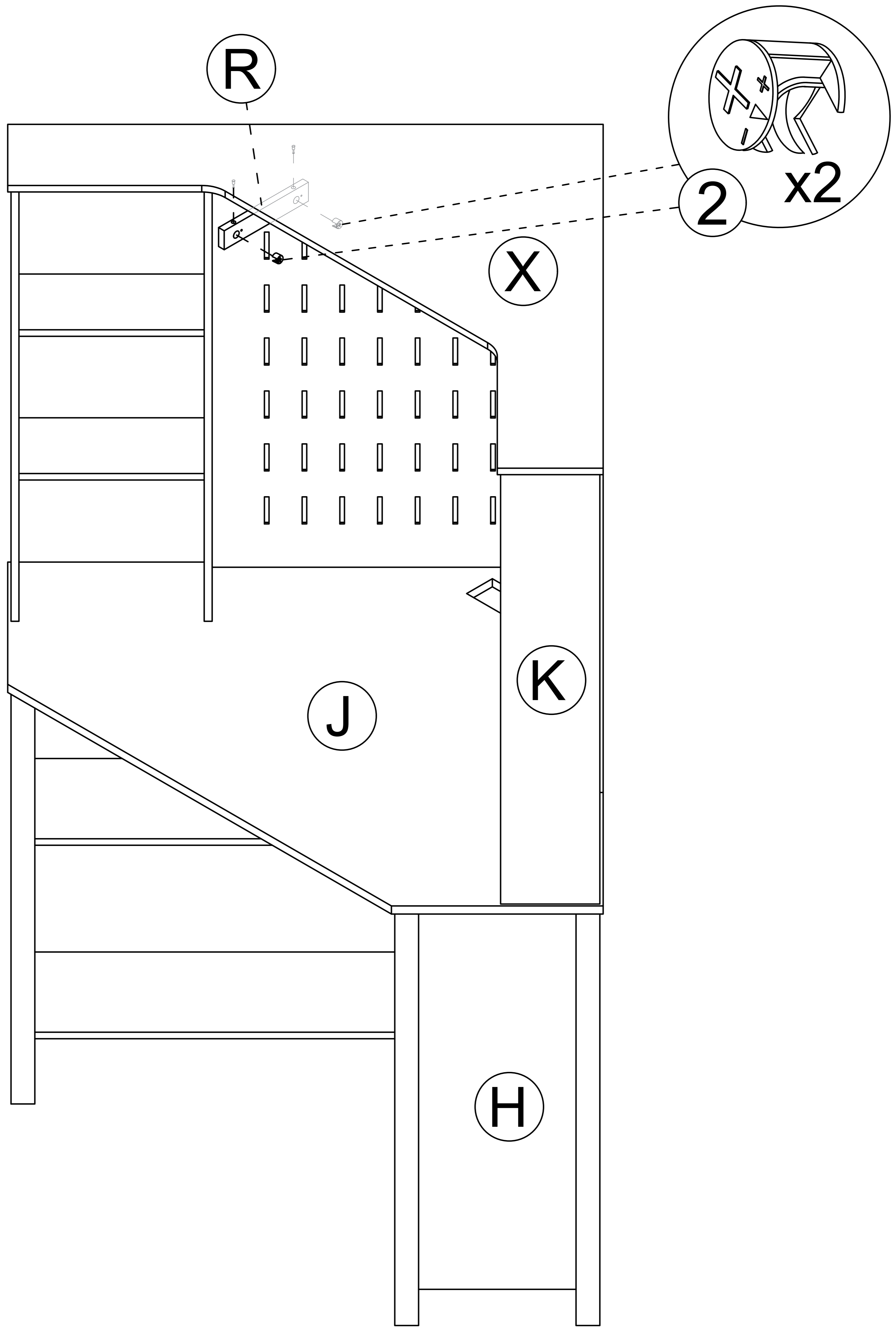


x12



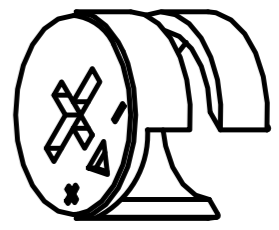
Step 29

2  x2

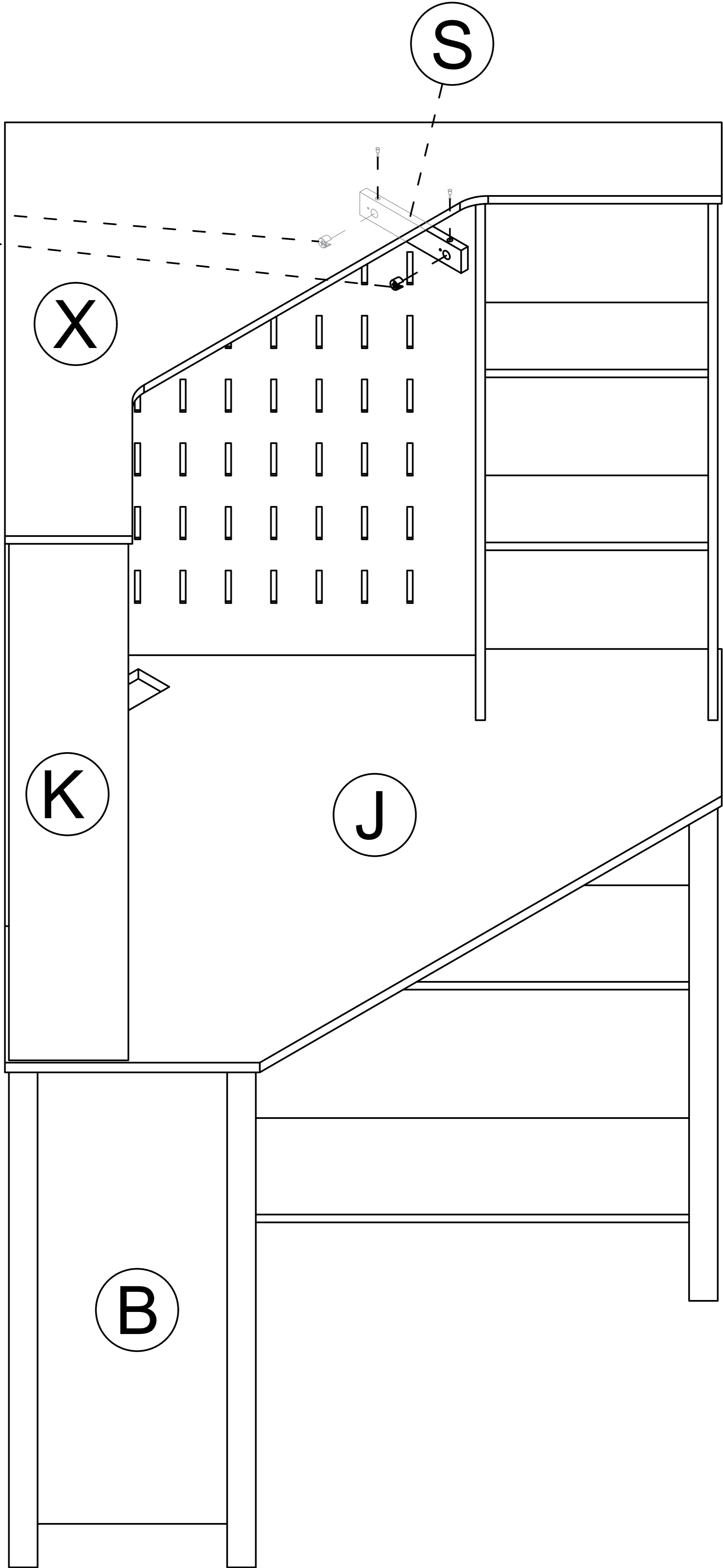
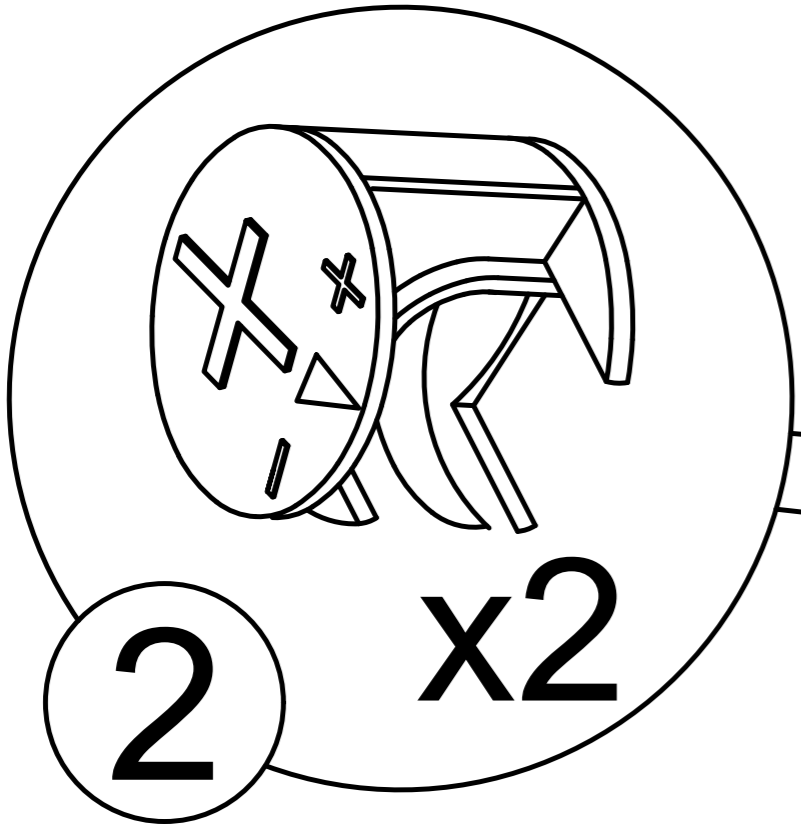


Step 30

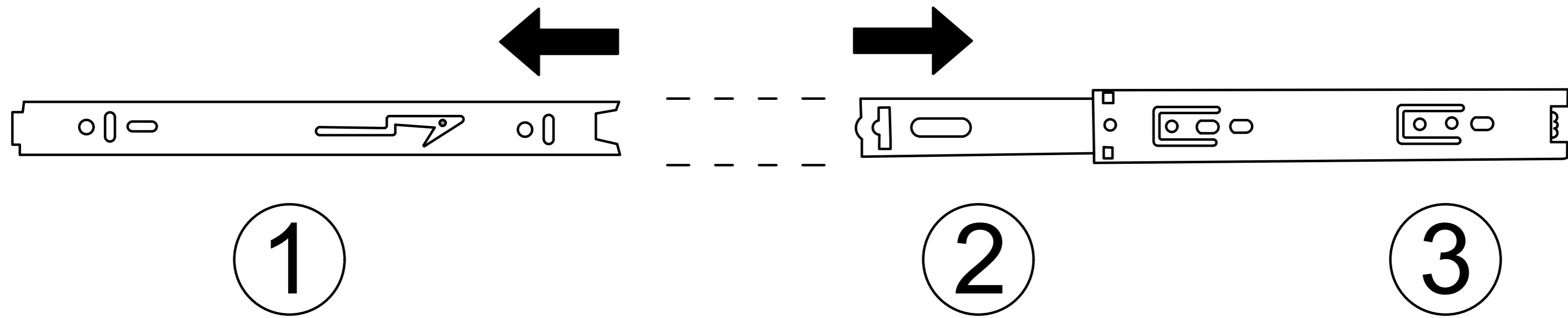
2



x2

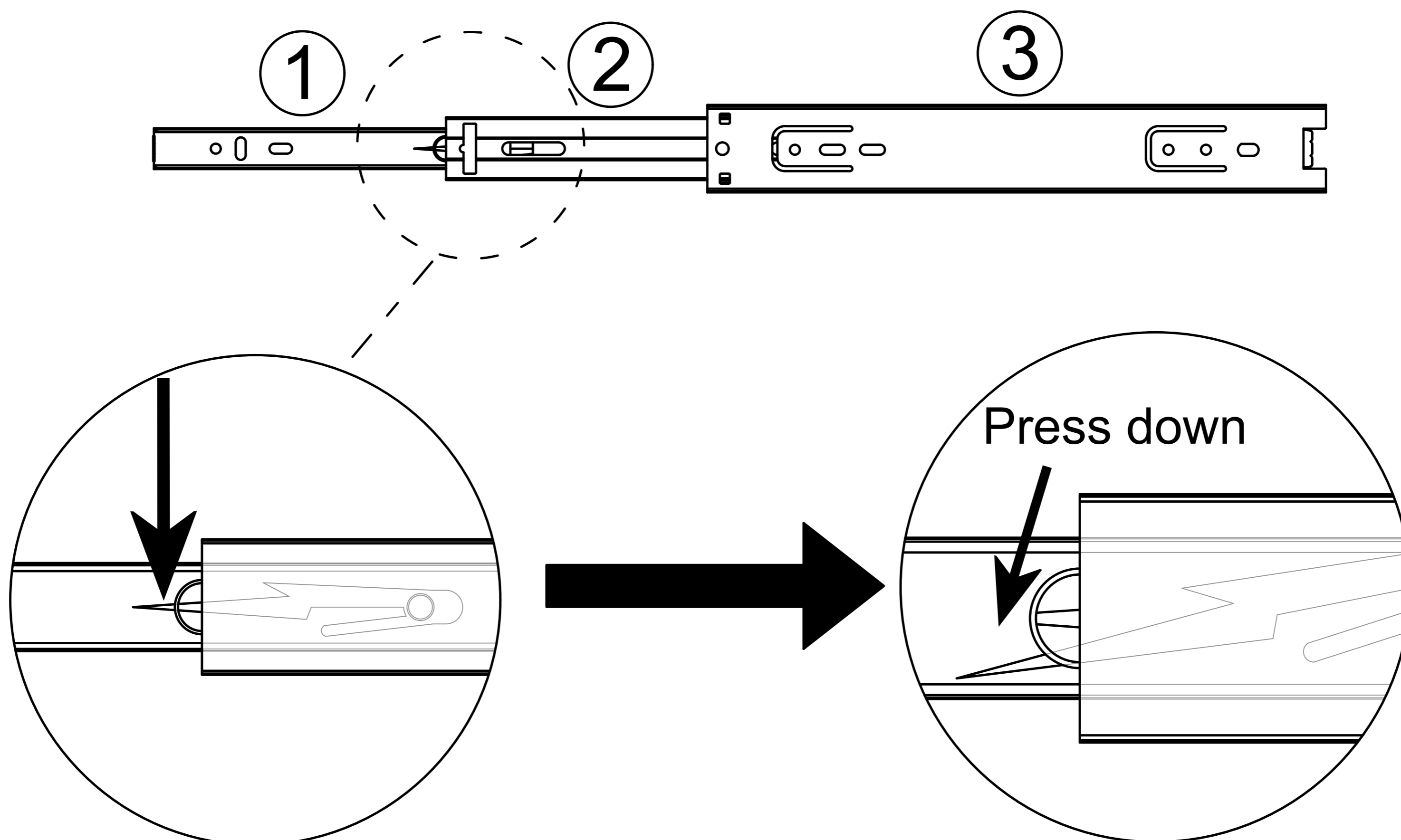


Drawer rail breakdown diagram



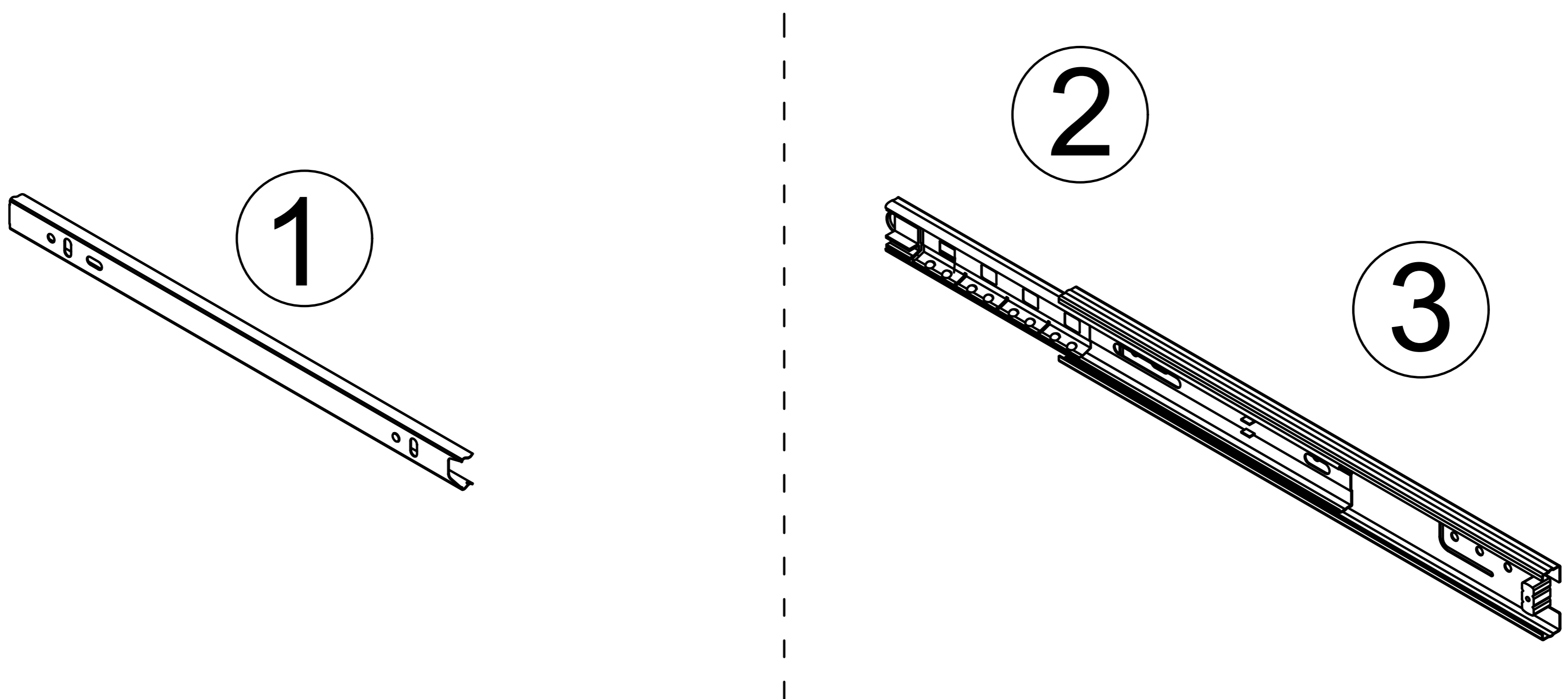
① Dismantle the schematic diagram

Step 1 : Pull the rails apart

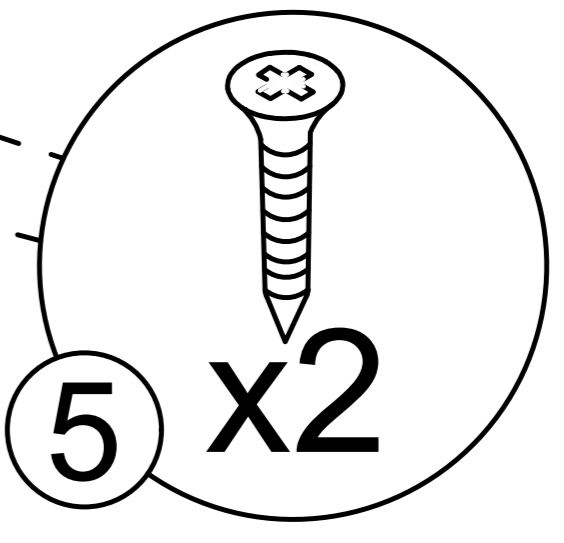
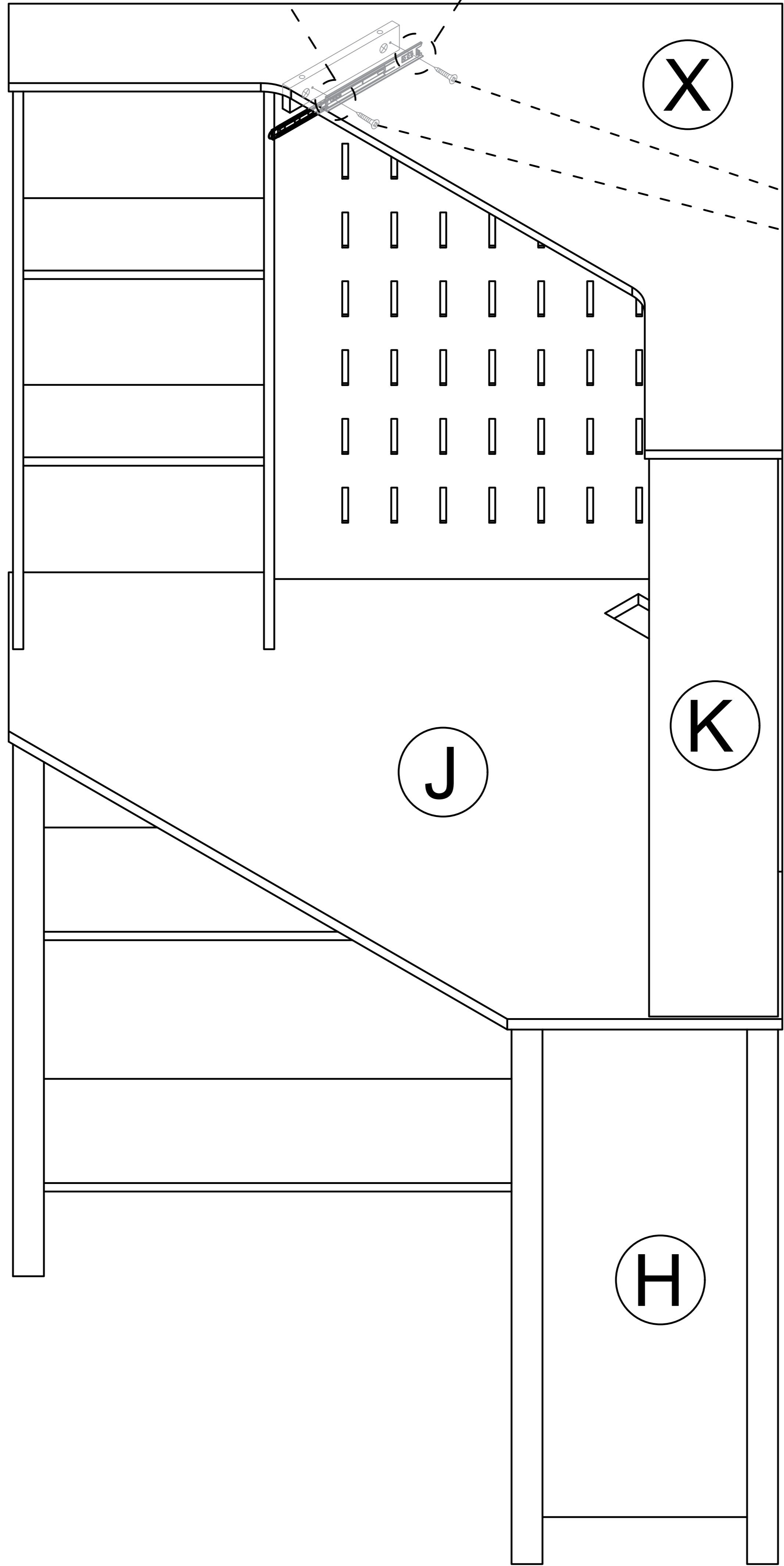
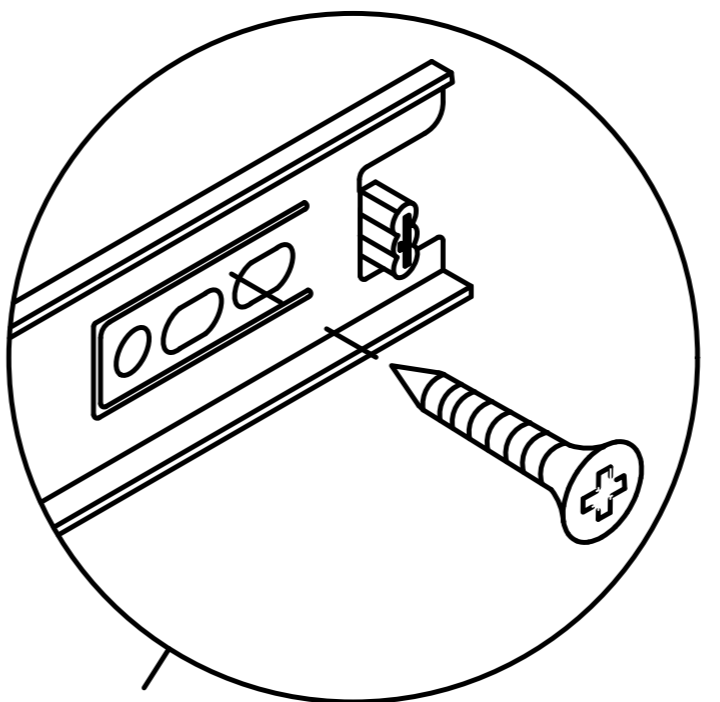
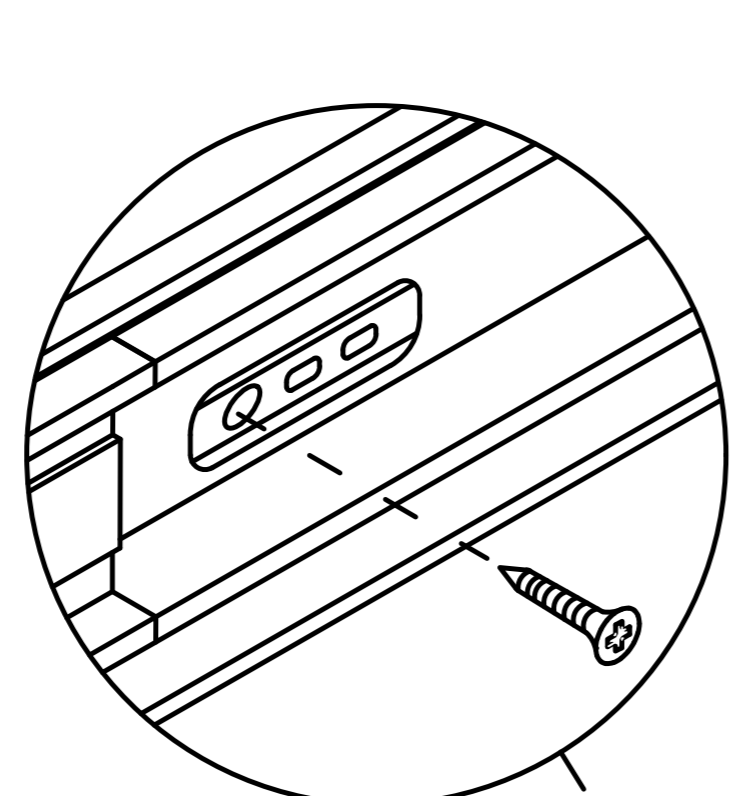
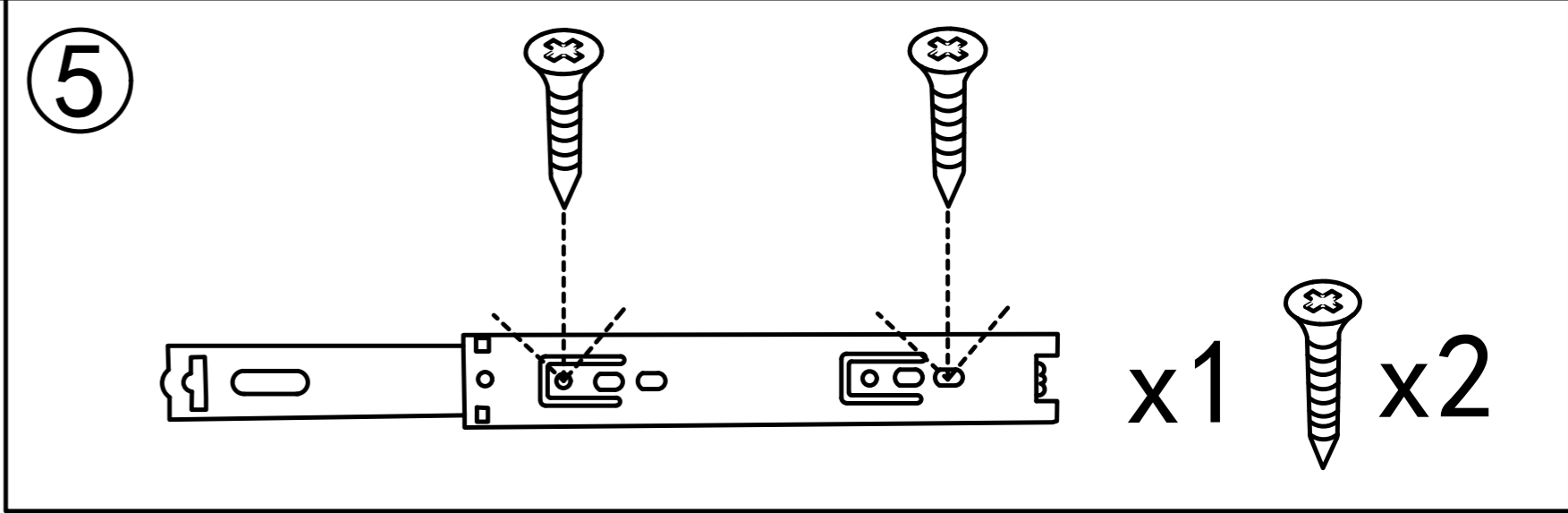


Step 2 : Press the nylon button and pull out 1.

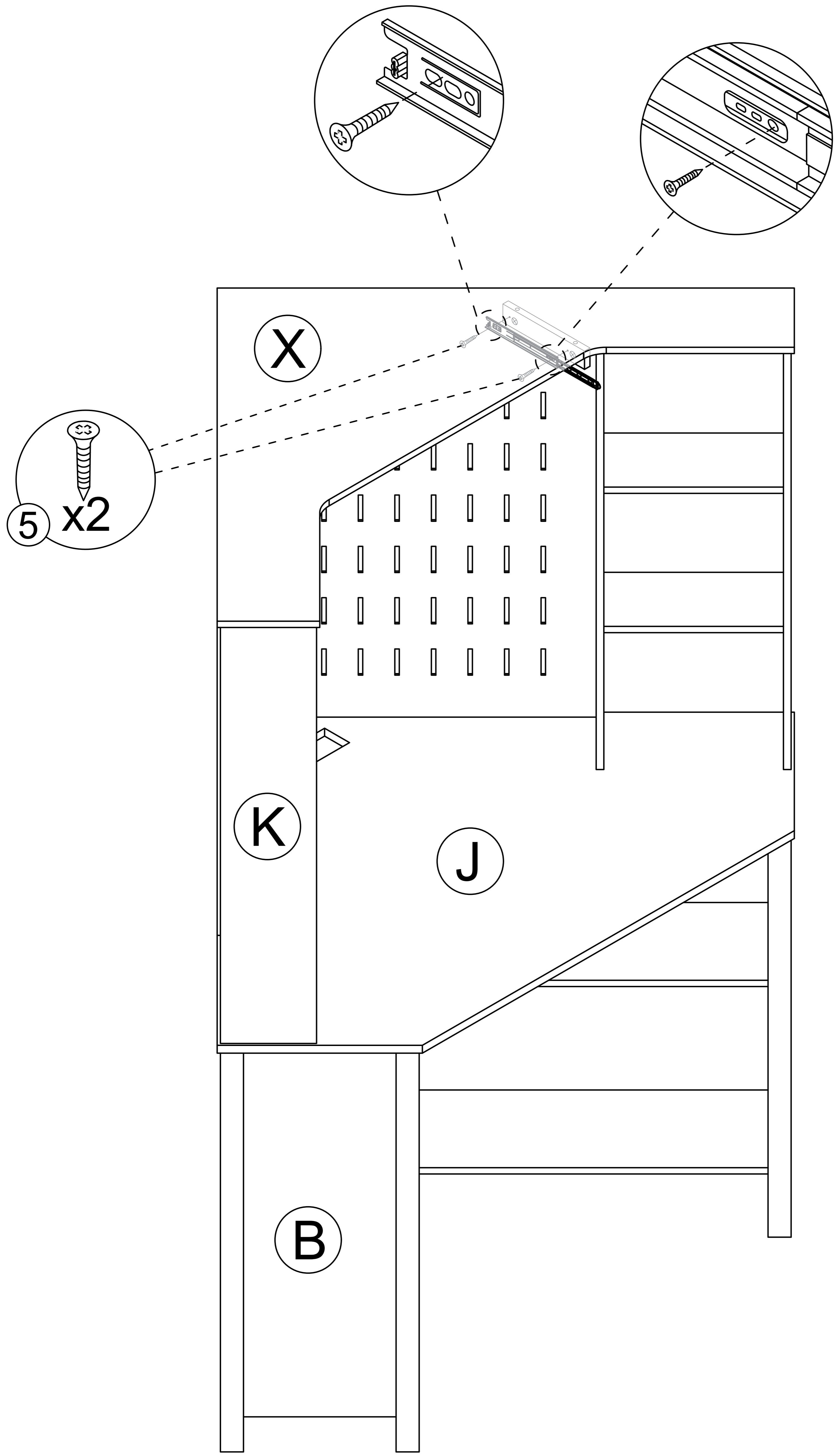
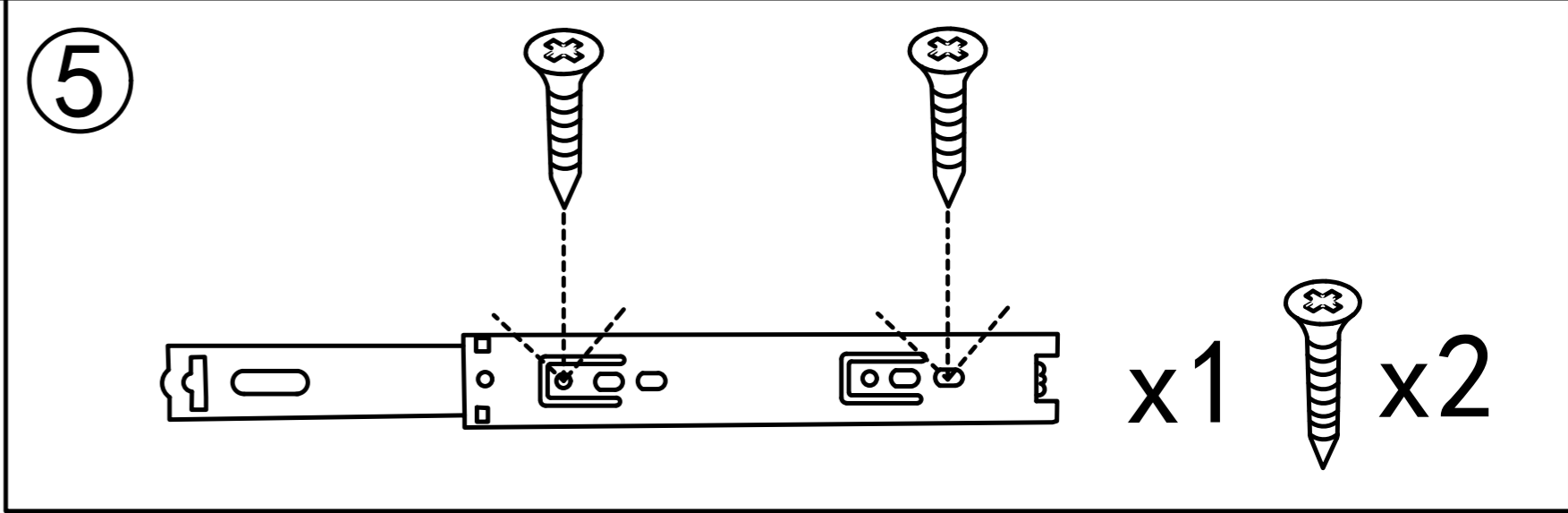
Drawer rail decomposition completed schematic diagram



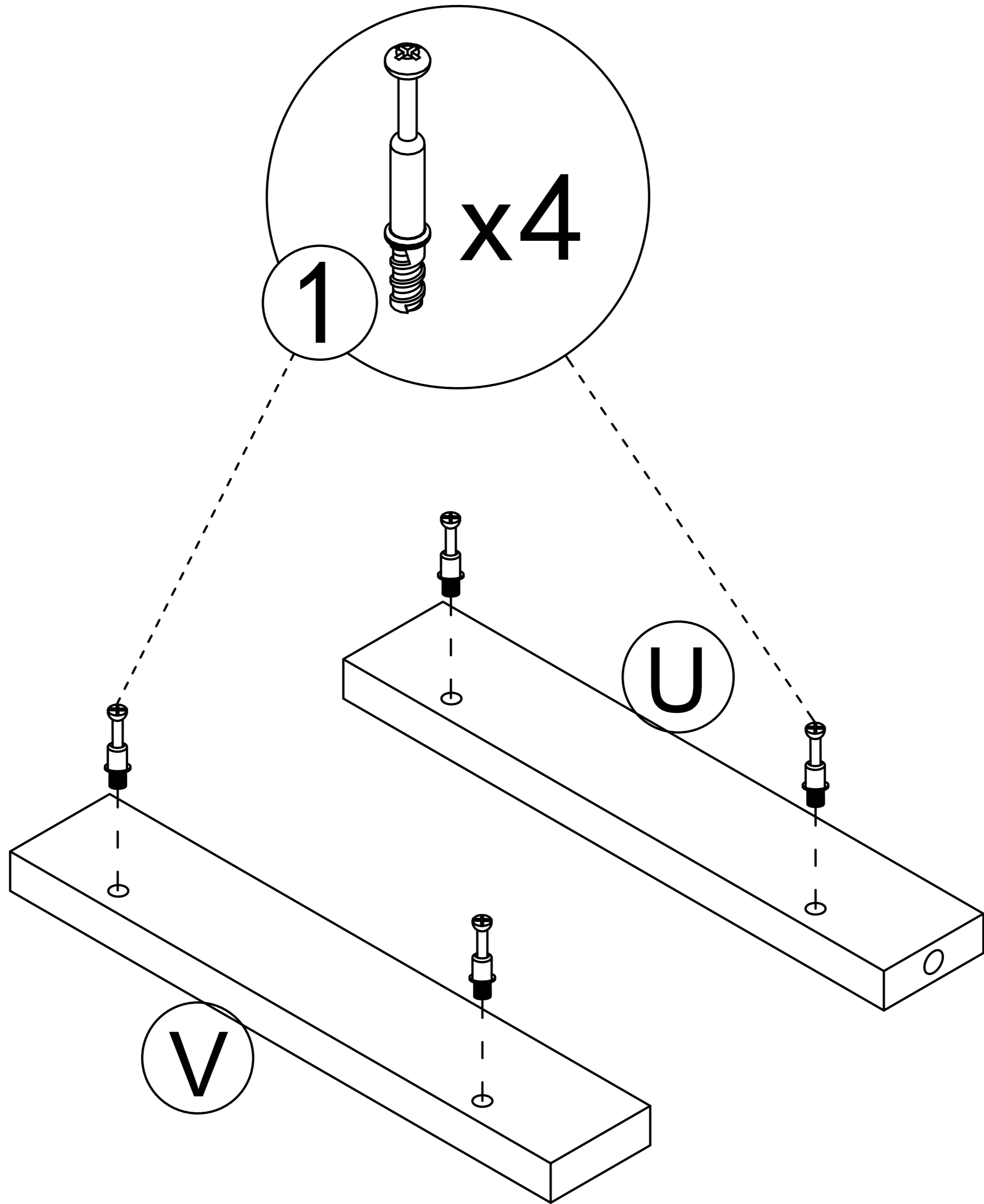
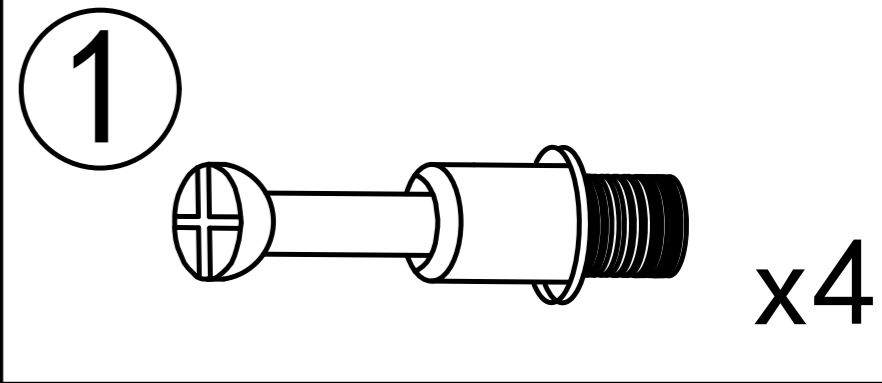
Step 31



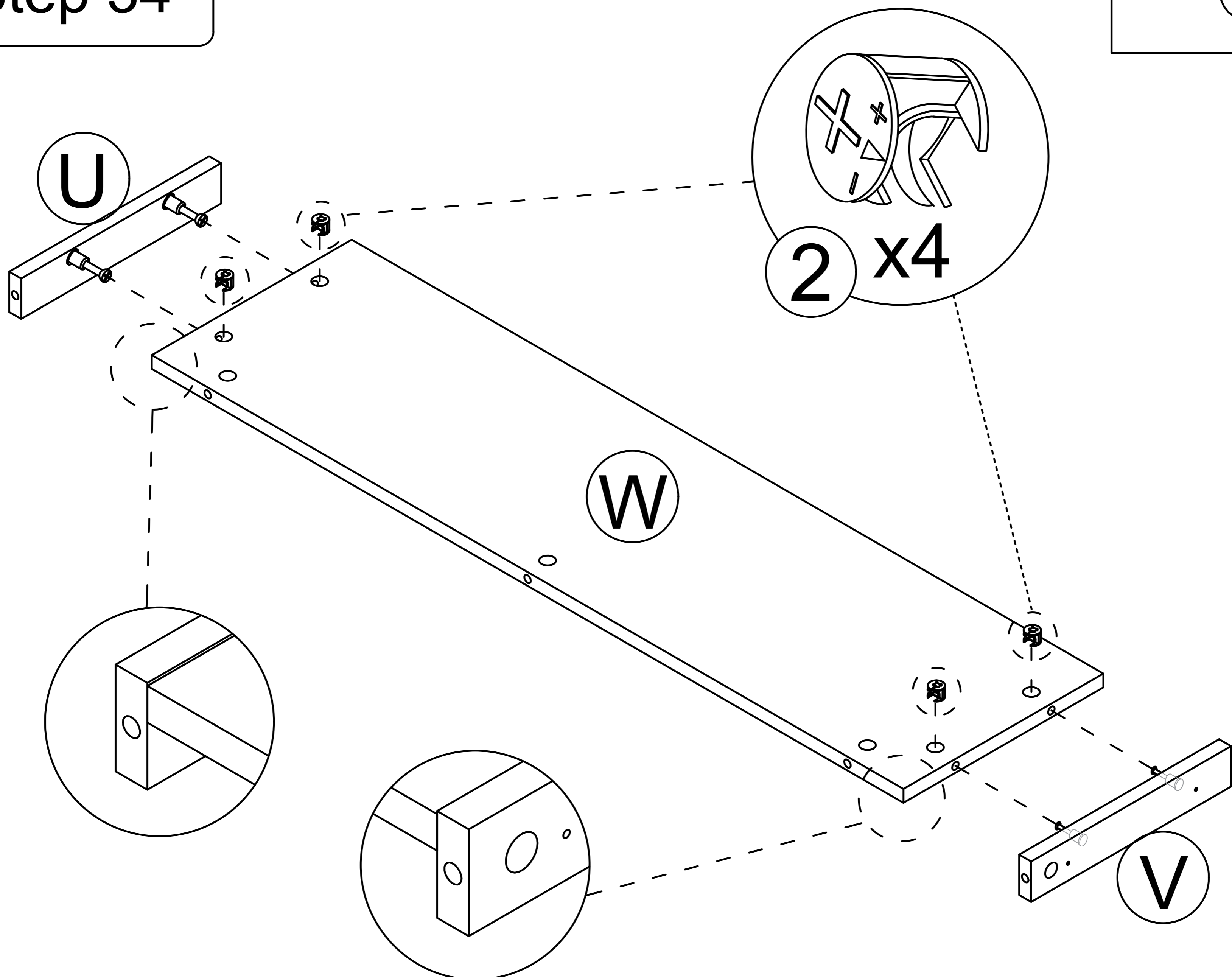
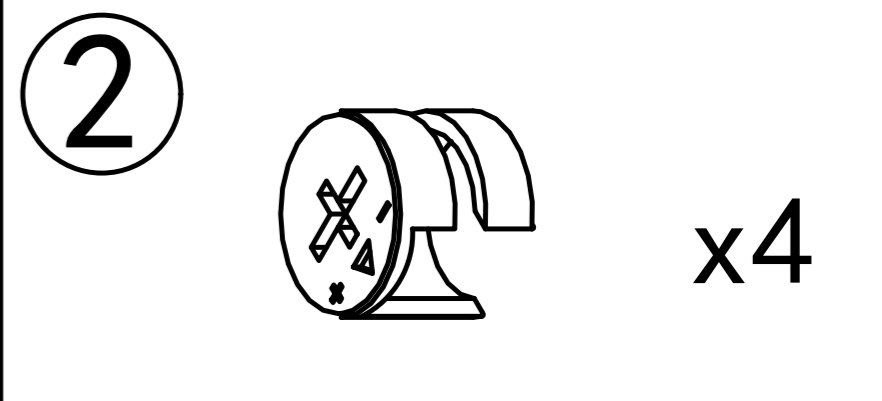
Step 32



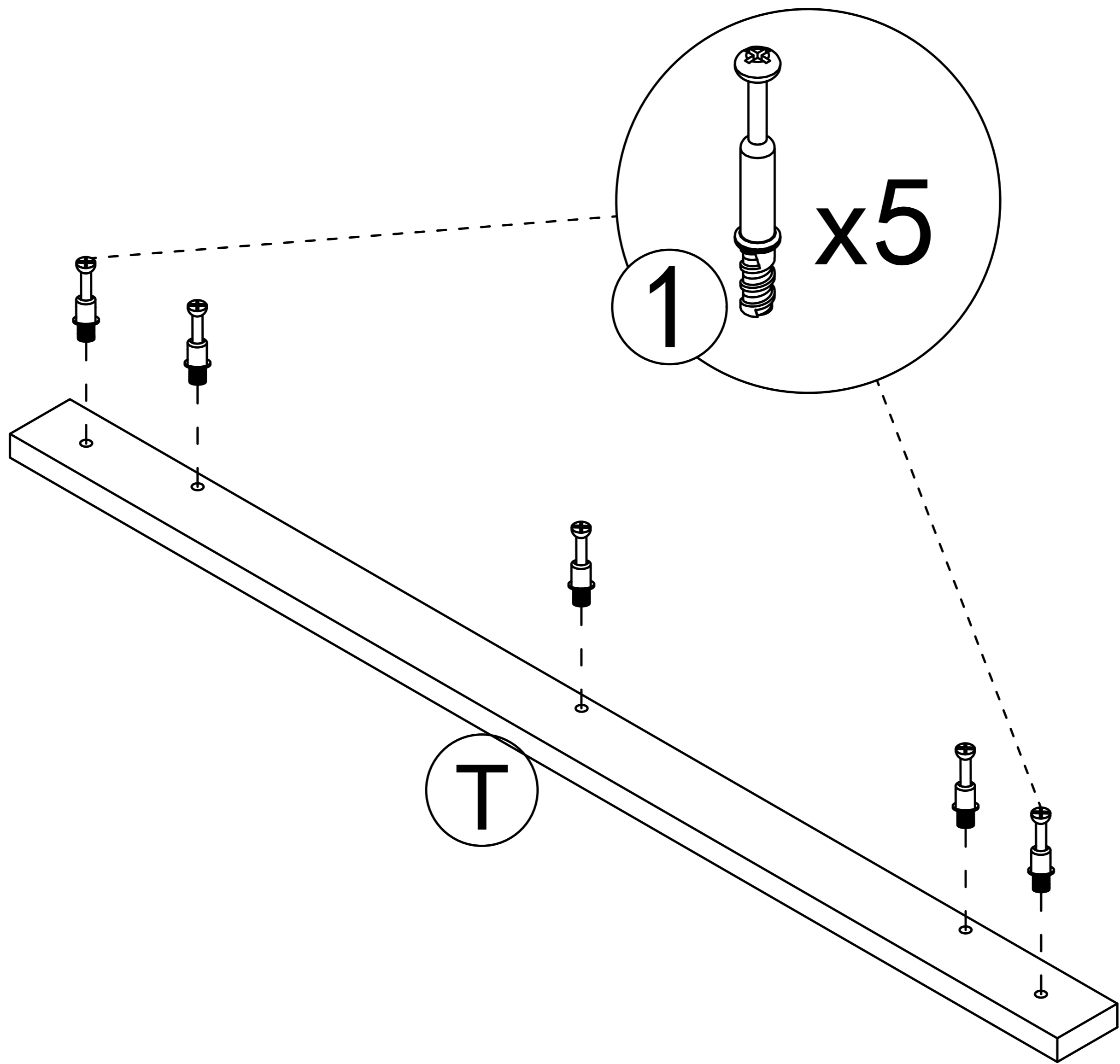
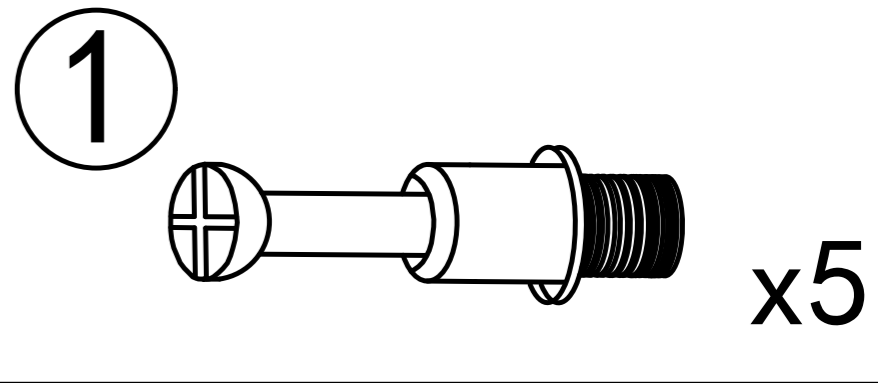
Step 33



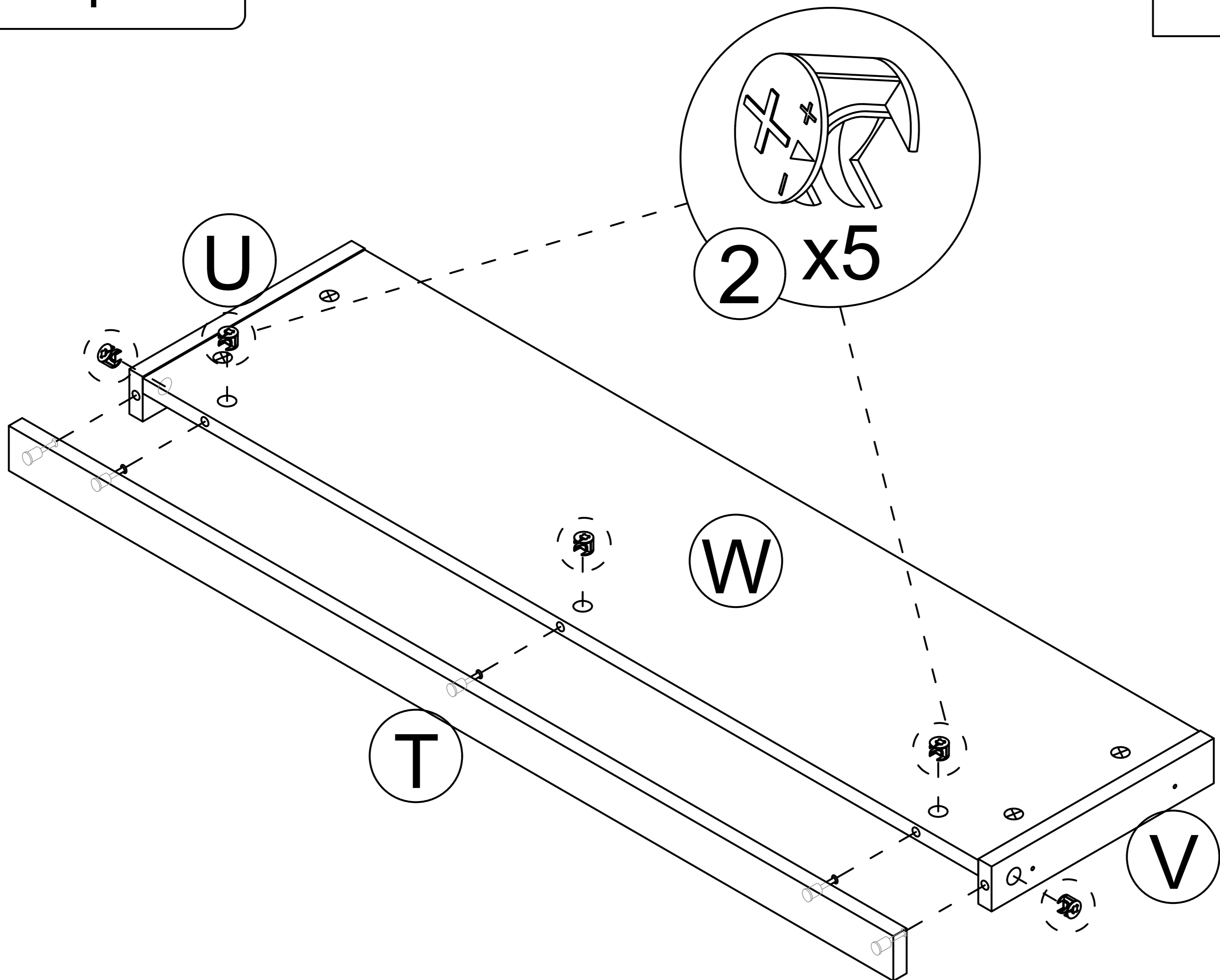
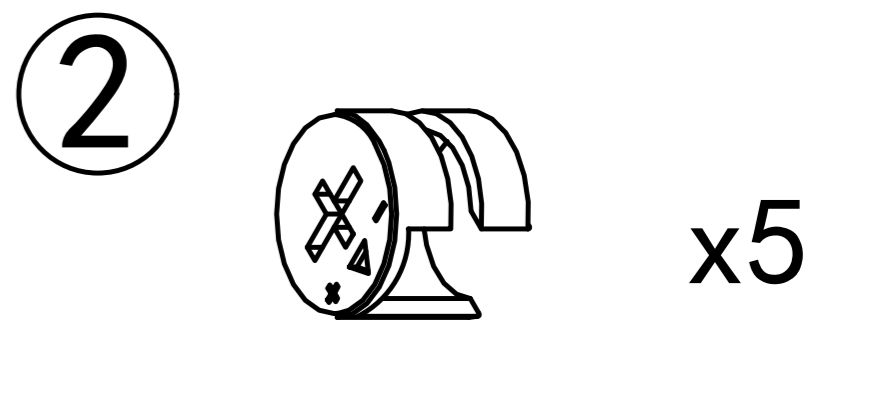
Step 34



Step 35

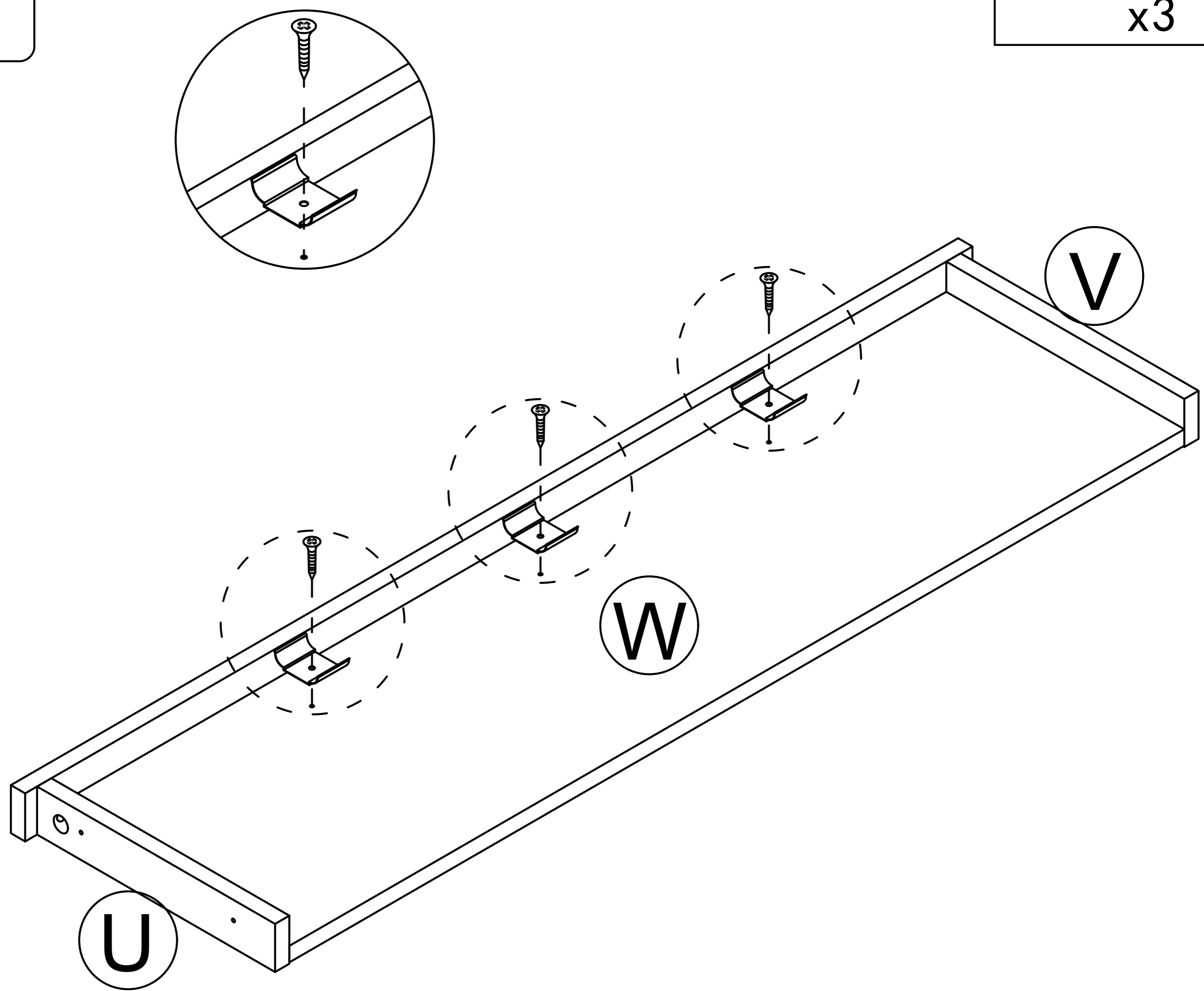
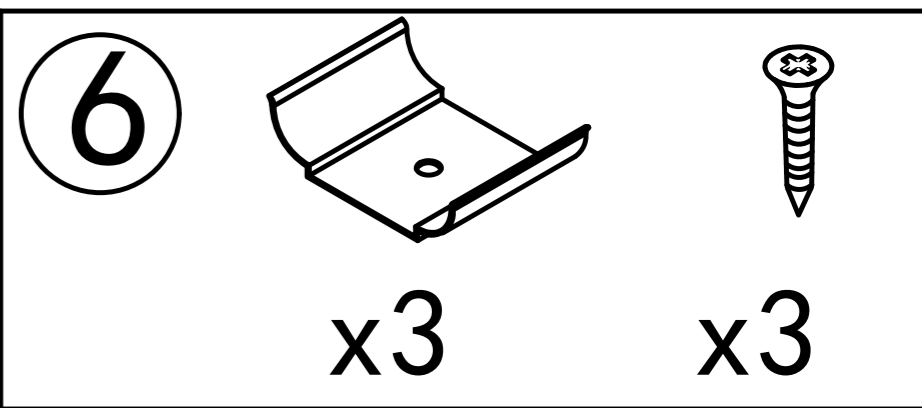


Step 36



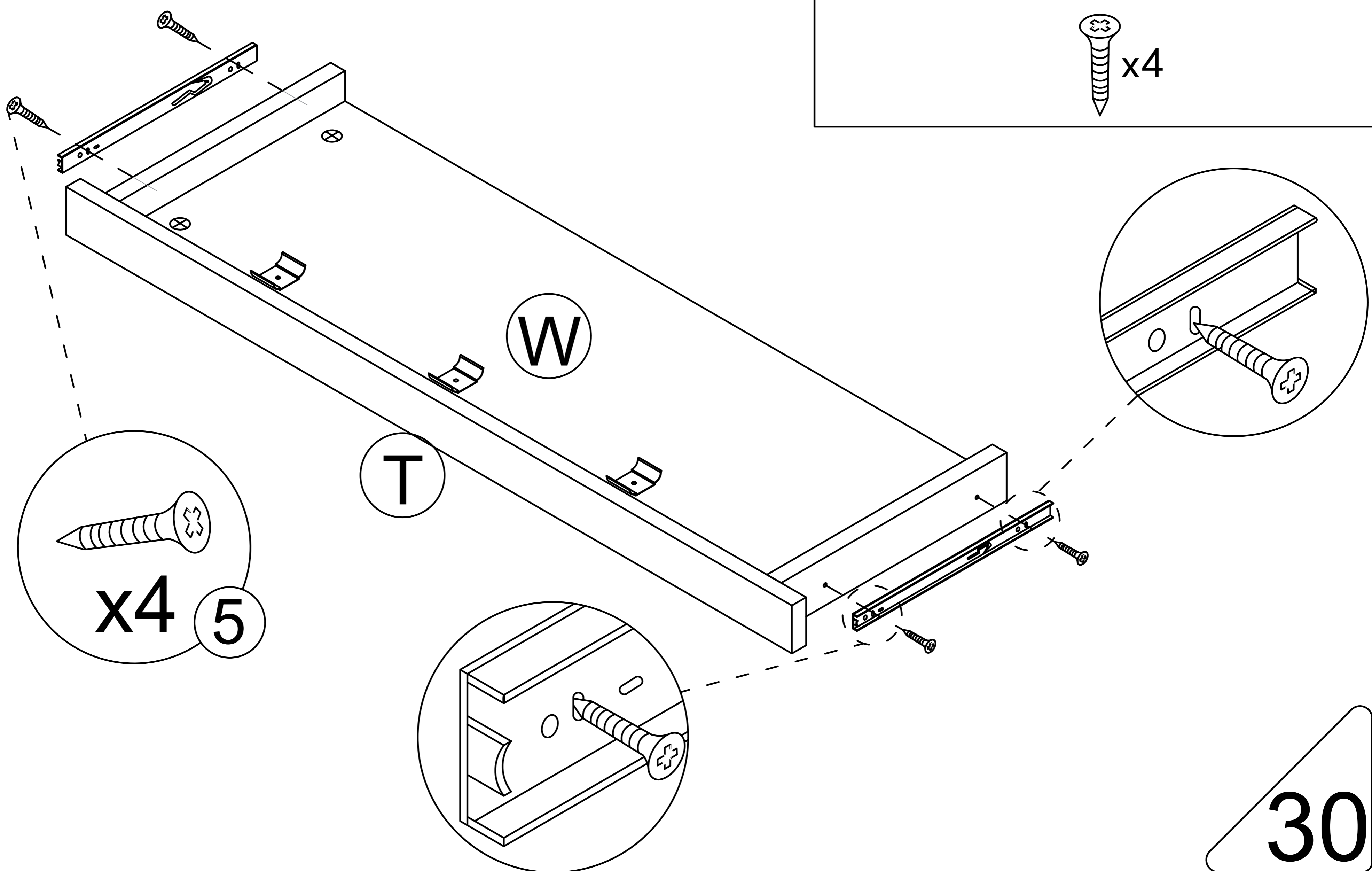
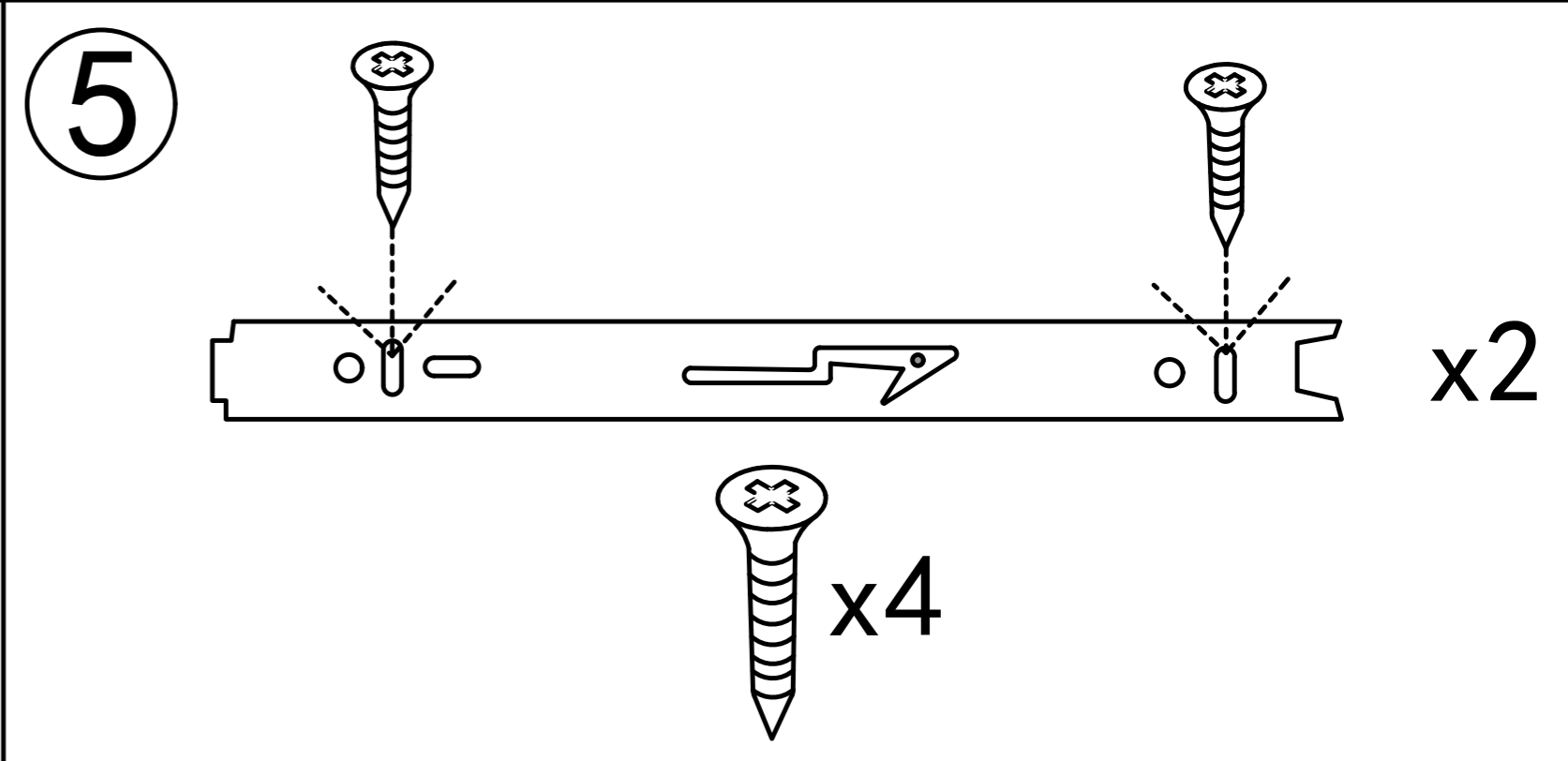
Step 37

6 x3 x3



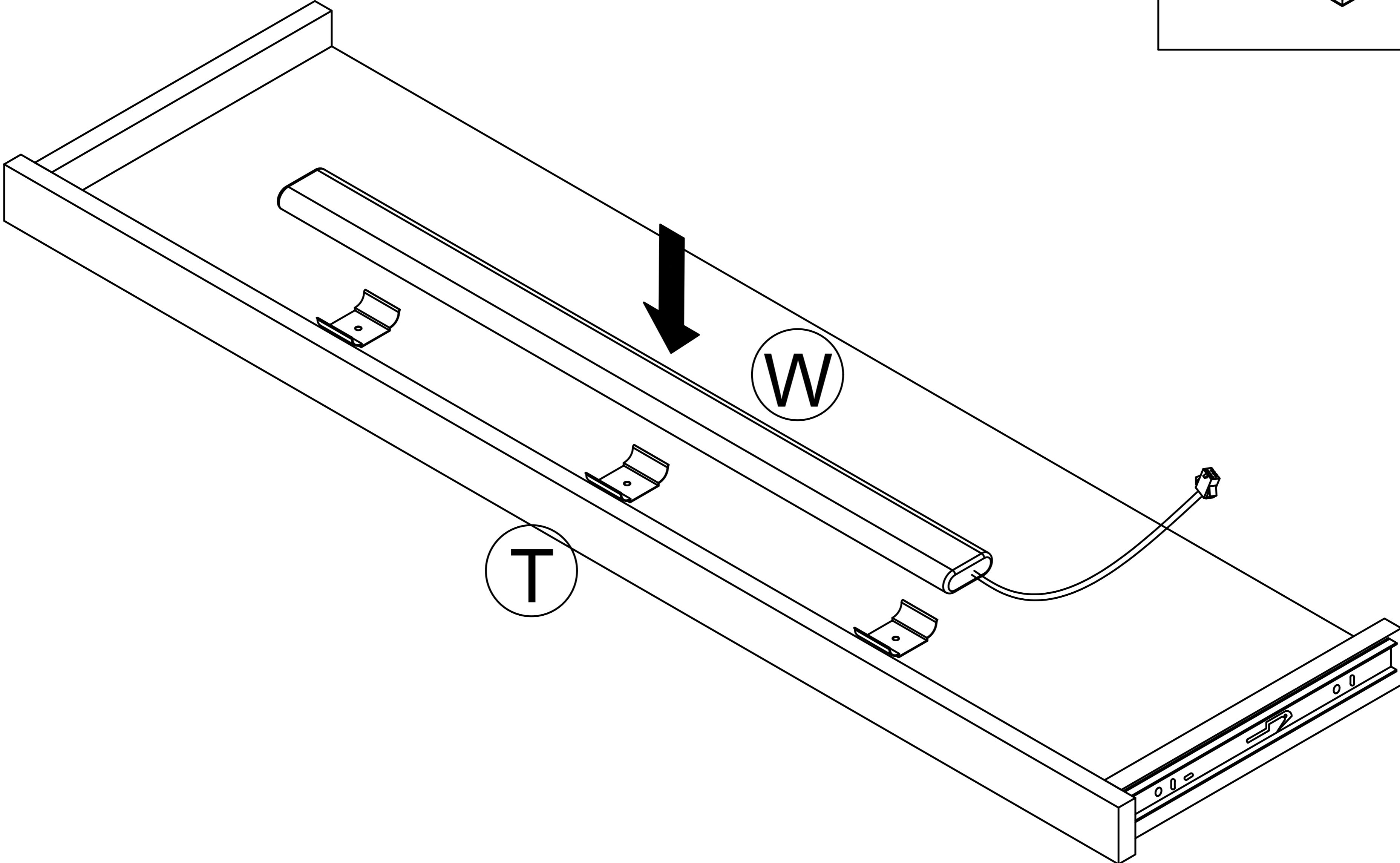
Step 38

5 x2 x4

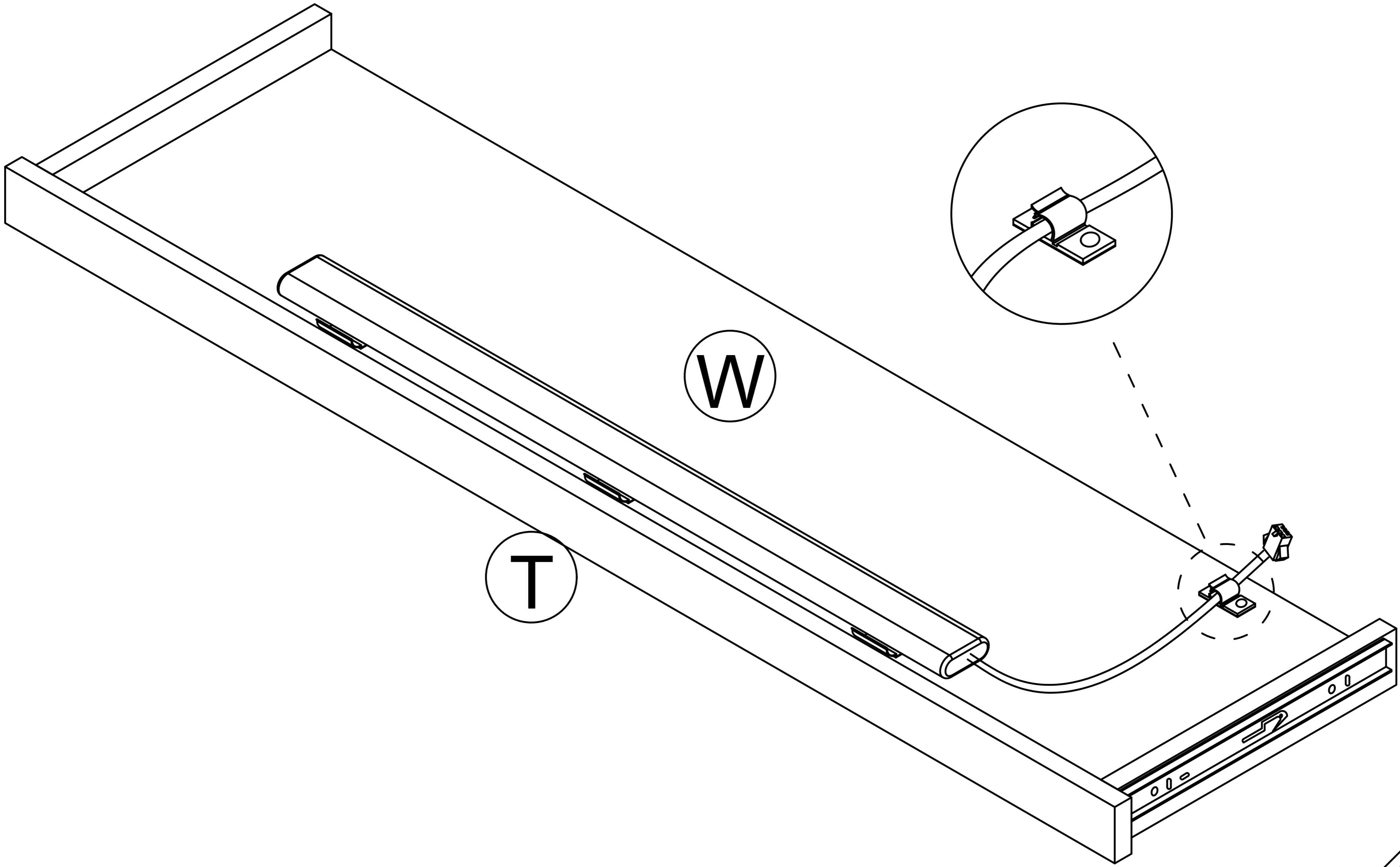


Step 39

- 7 x1
- 8 x1

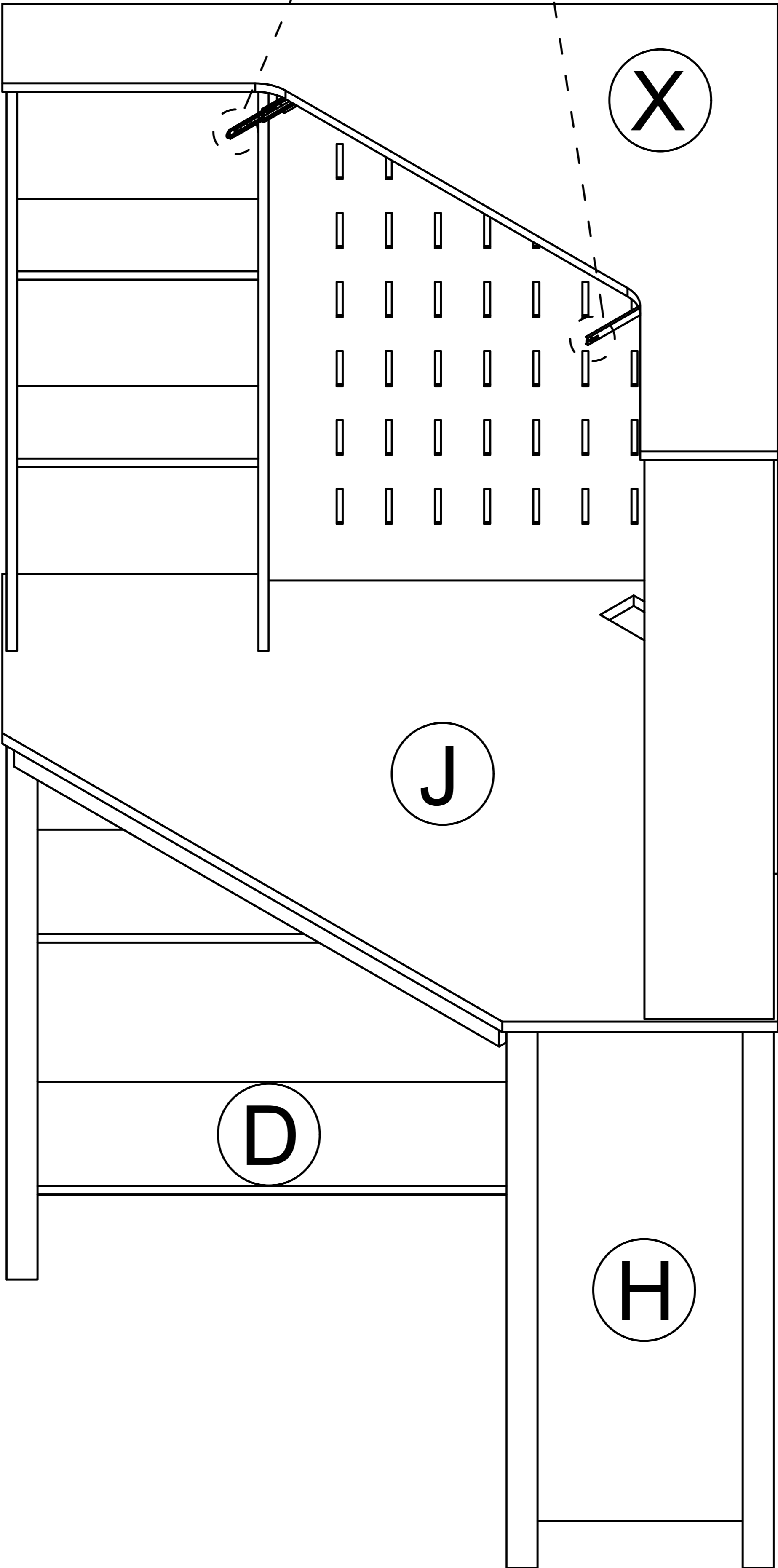
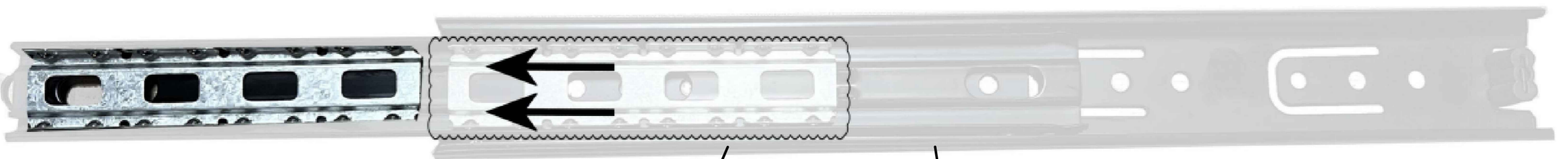


Mount the reading light onto the reading light holder.



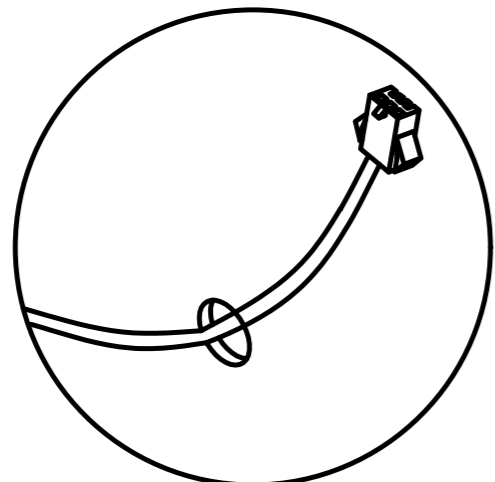
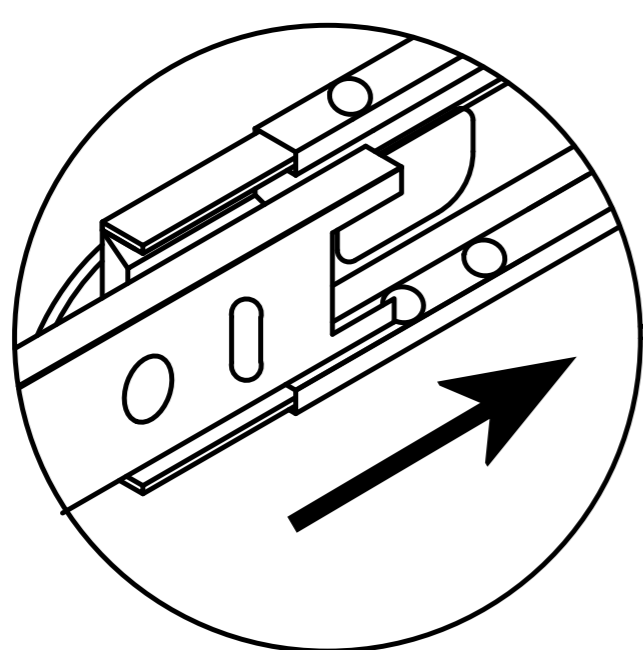
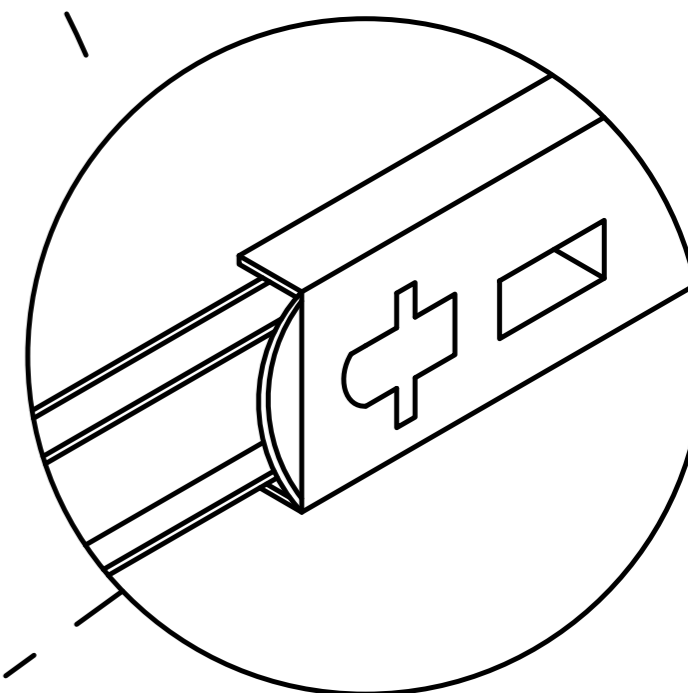
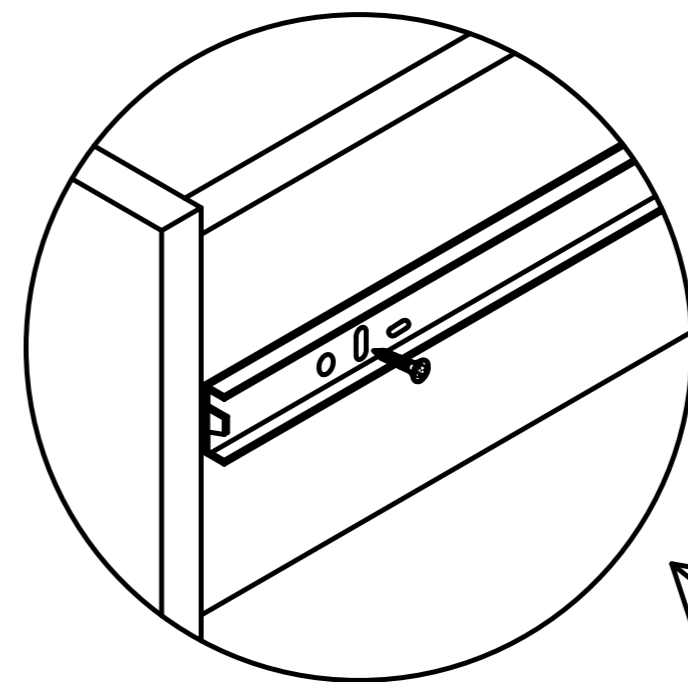
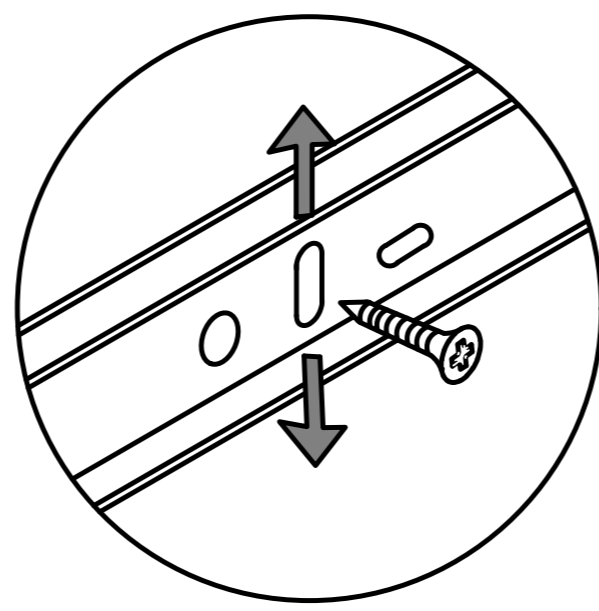
Step 40

As shown, When installing the drawer, pull the guide rail out first, Slide beads are also pulled out.

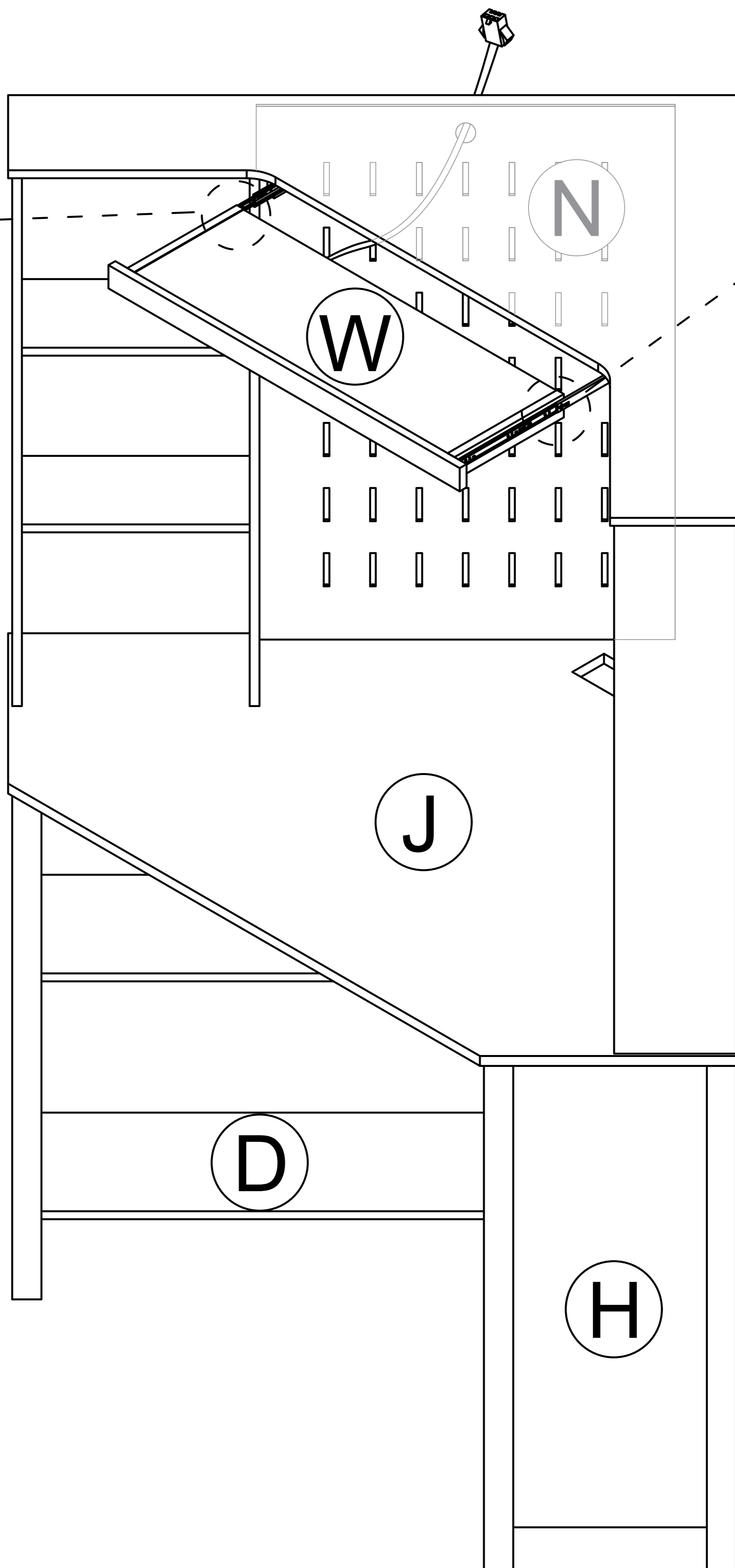


Step 41


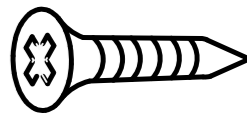
If a large gap is found after installing the drawer the slide rail can be moved up and down to adjust the gap

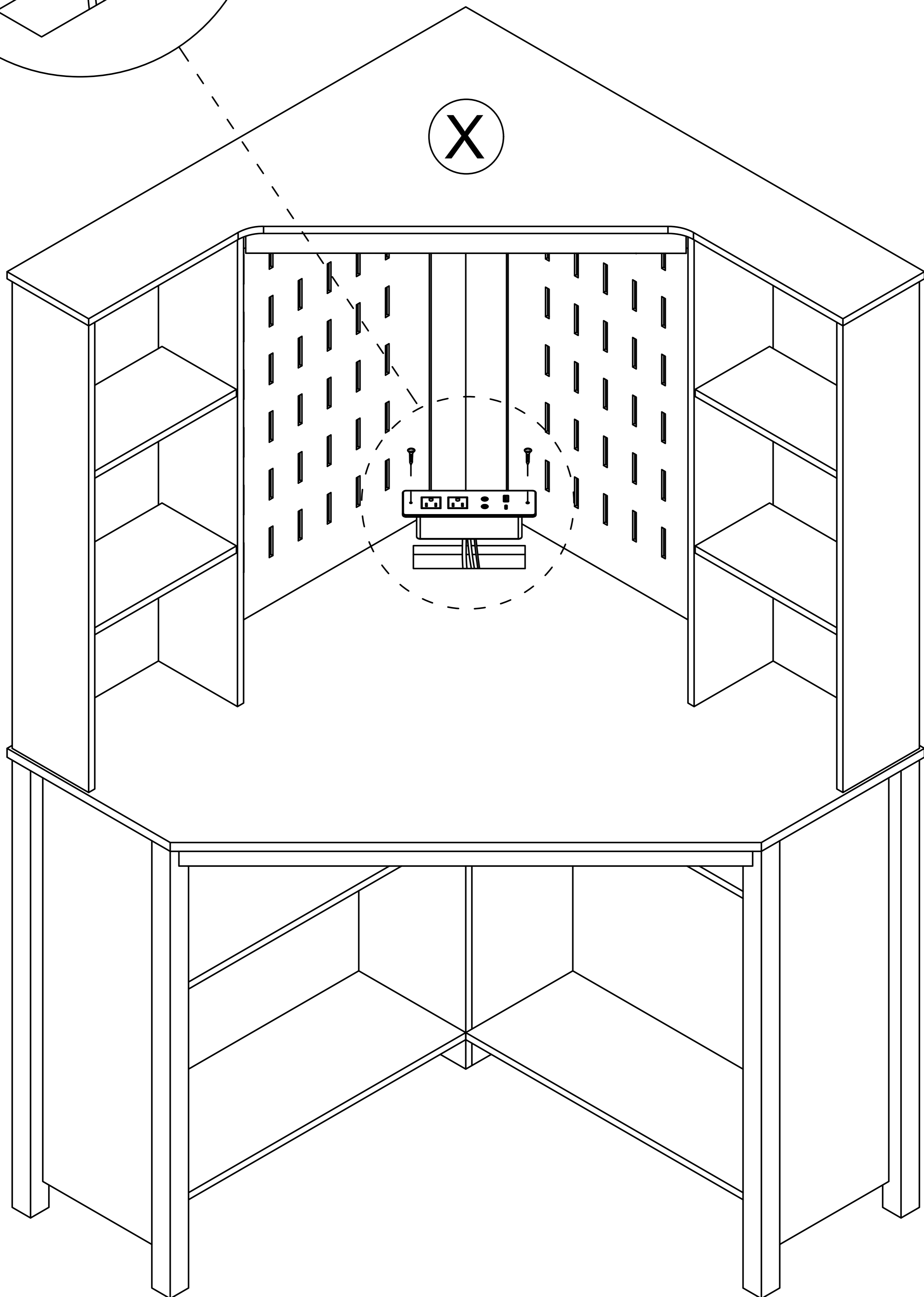
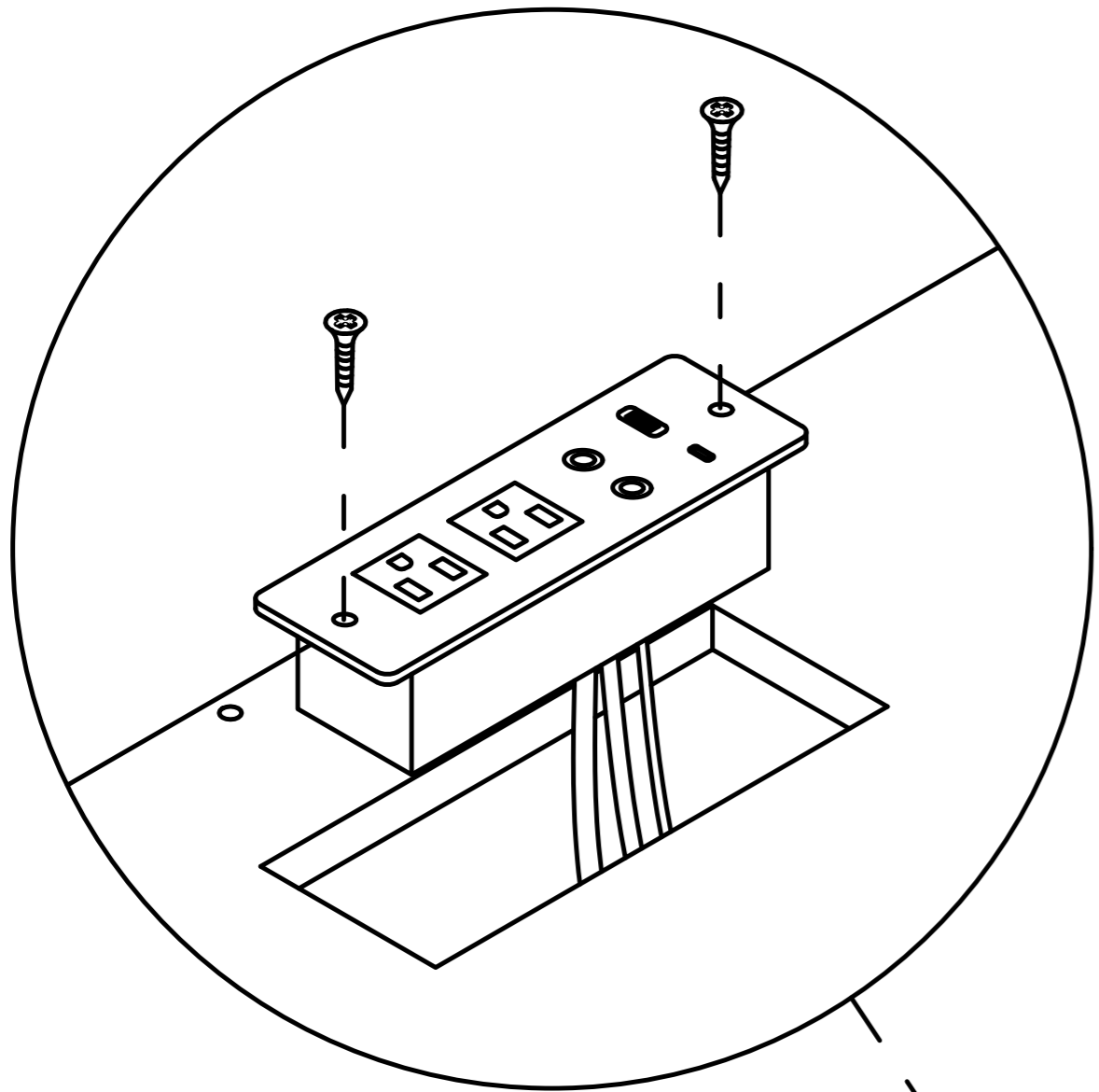


Thread the light wire of Board W through the through-hole of Board N.

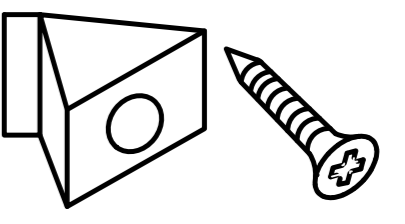


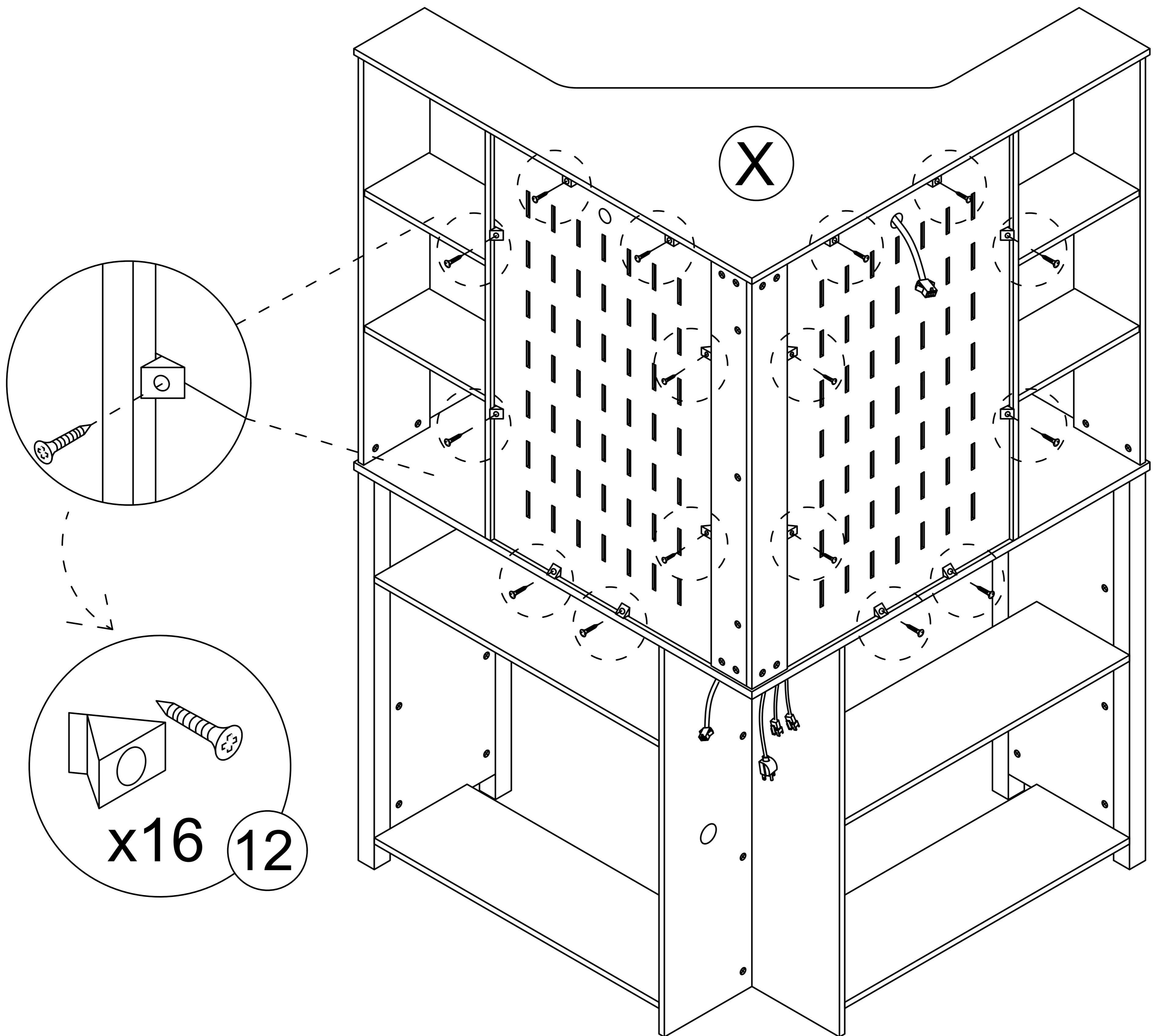
Step 42

11  
x1 x2

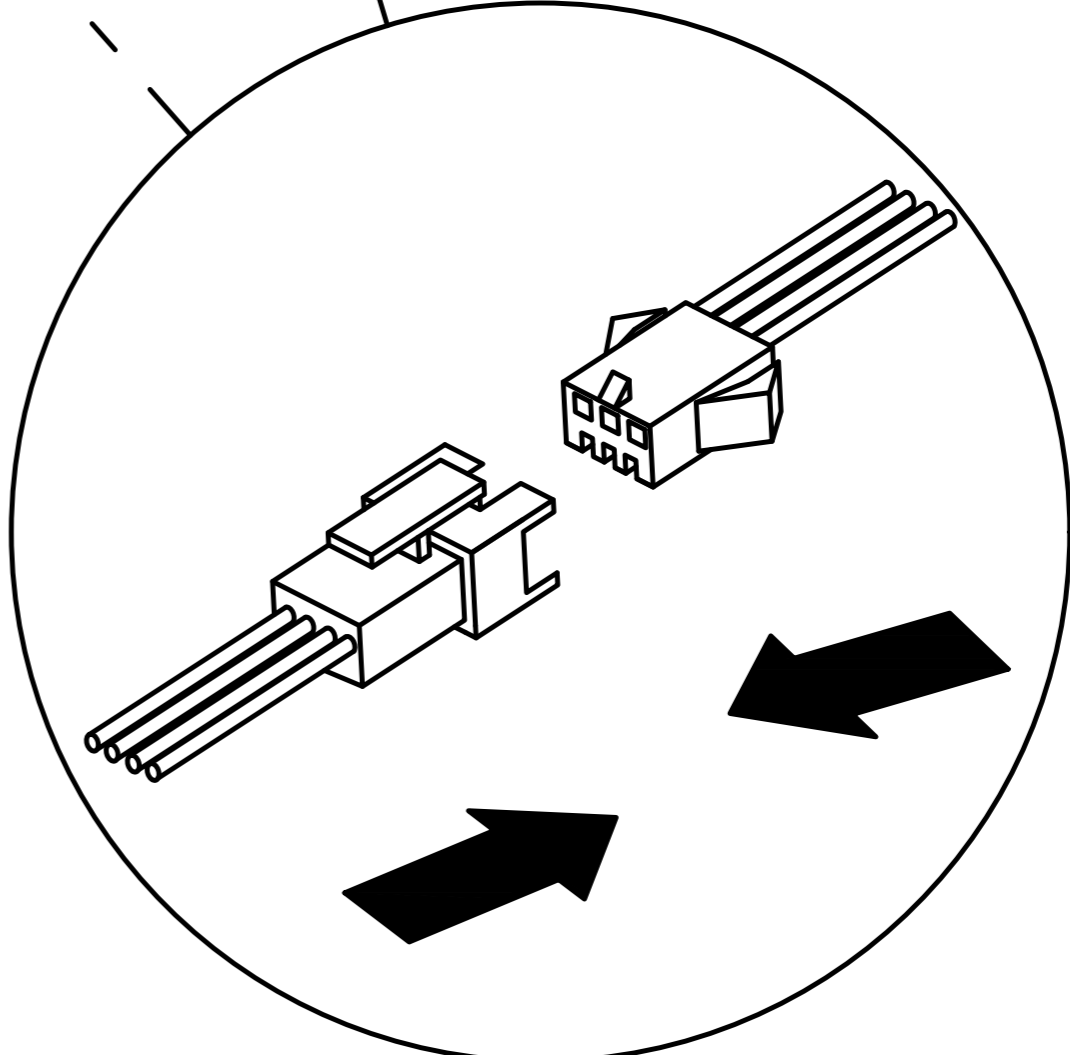
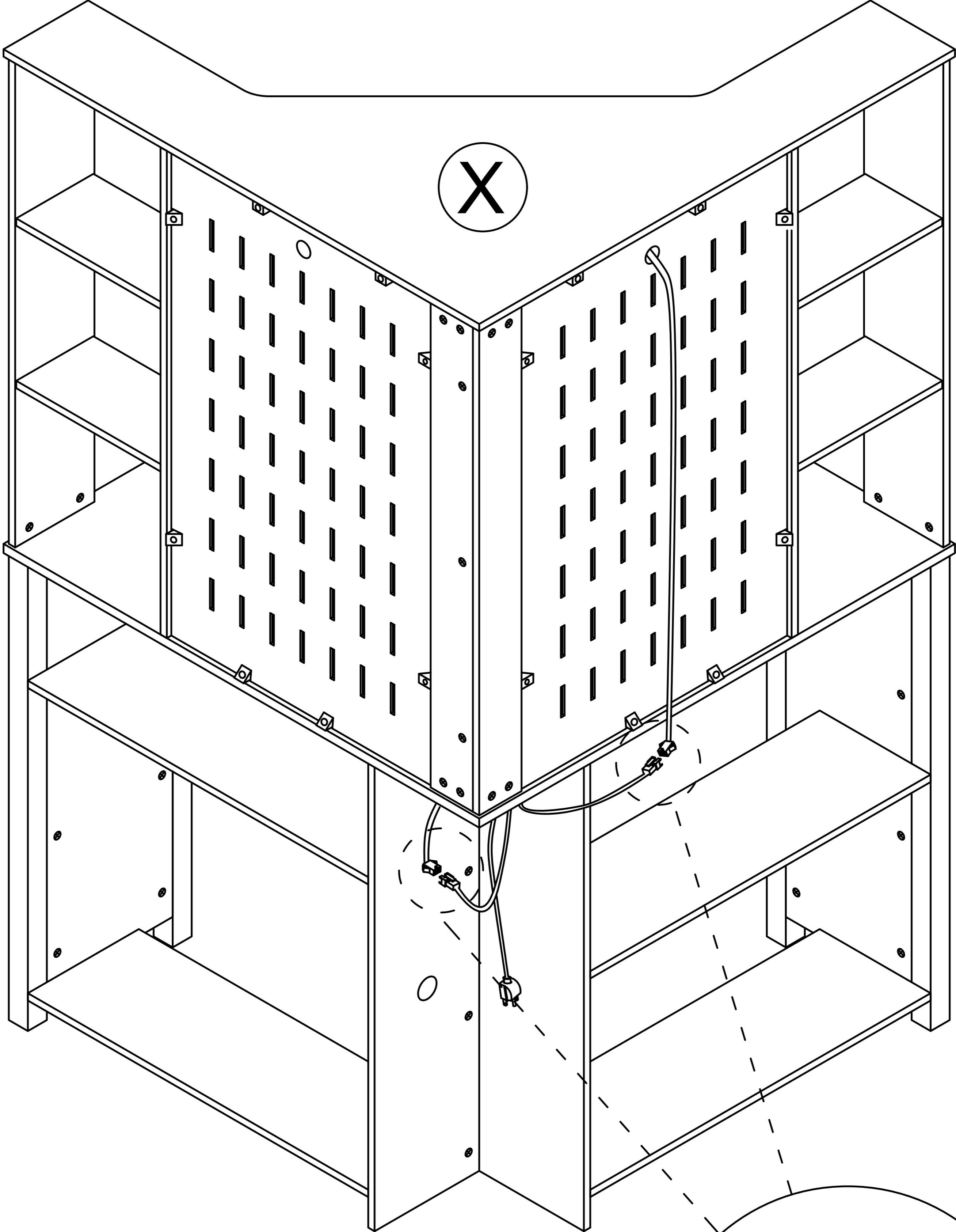


Step 43


12  x16

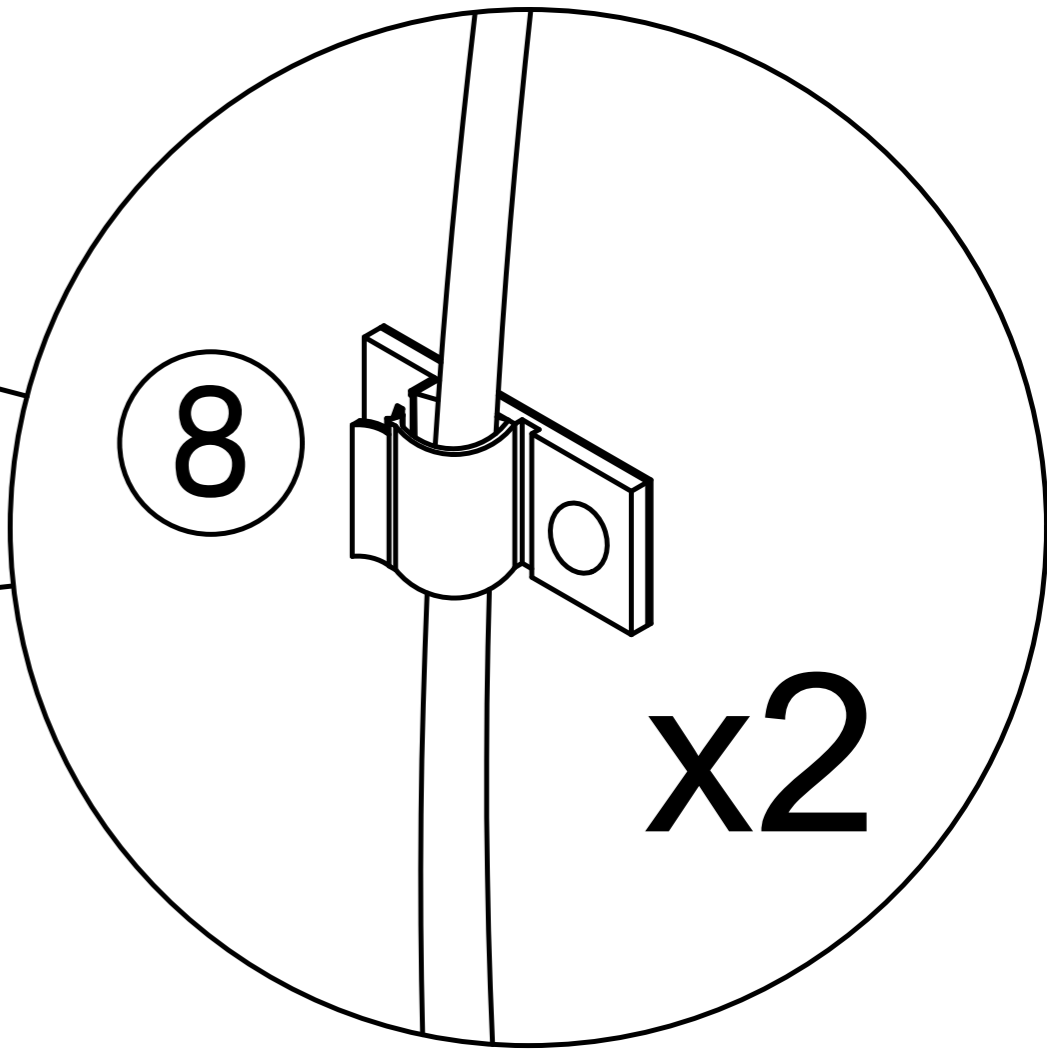
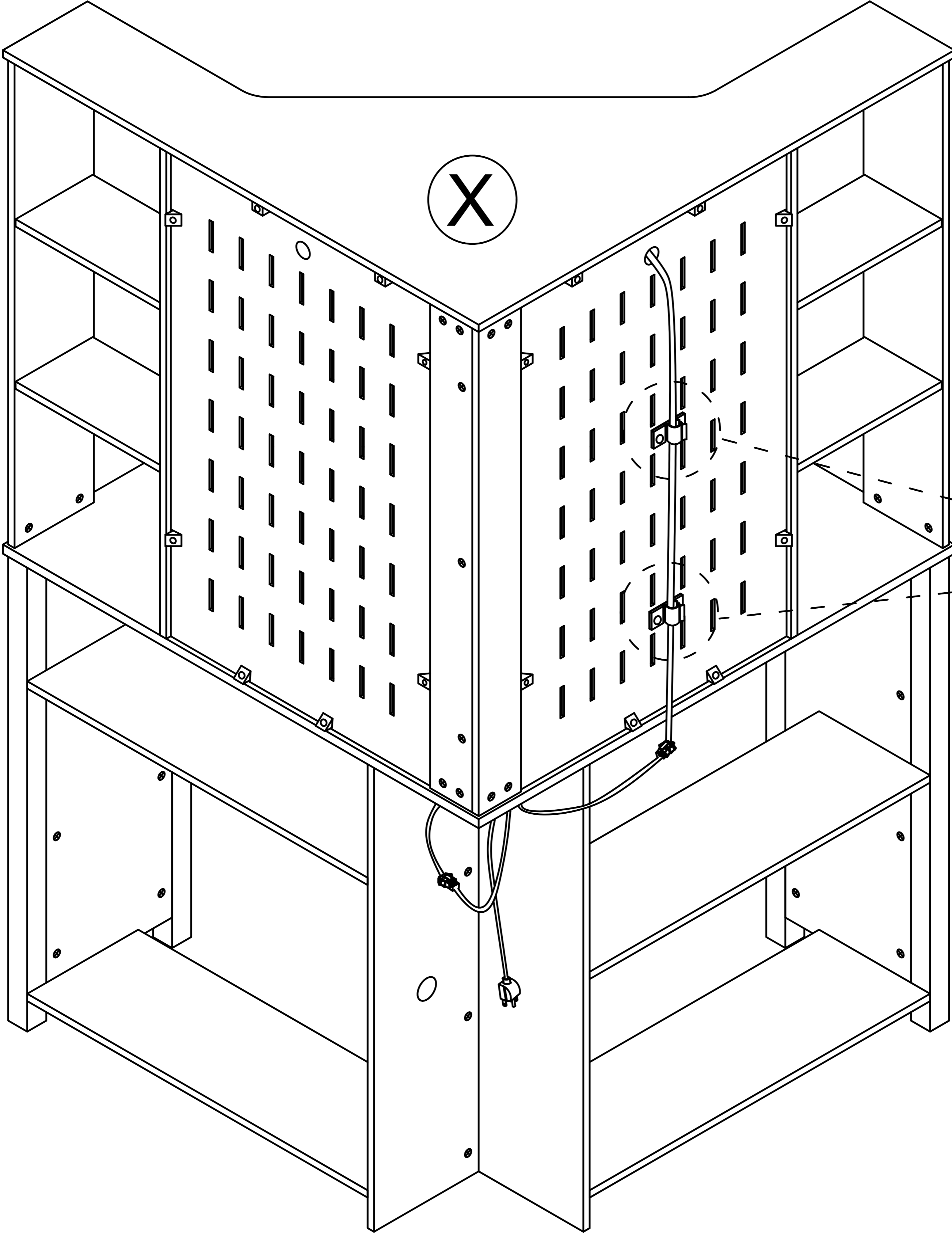


Step 44



Step 45

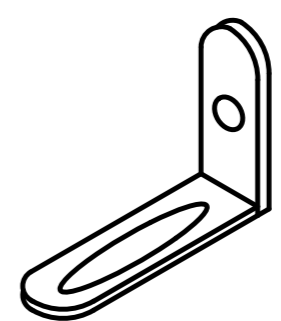
8  x2



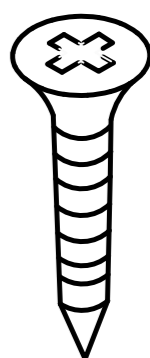
Step 46

Install as required

13



x2

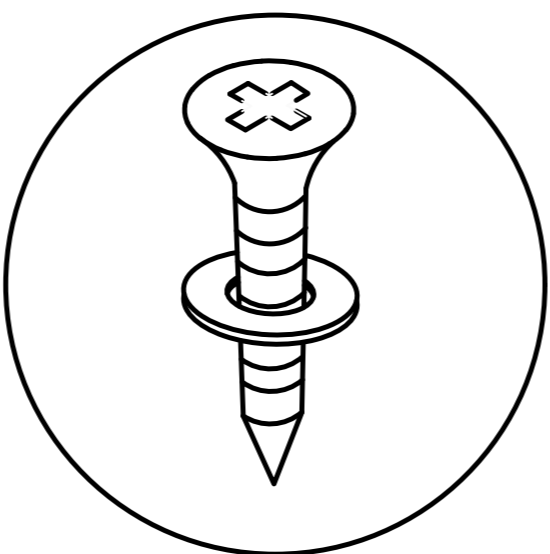


x2

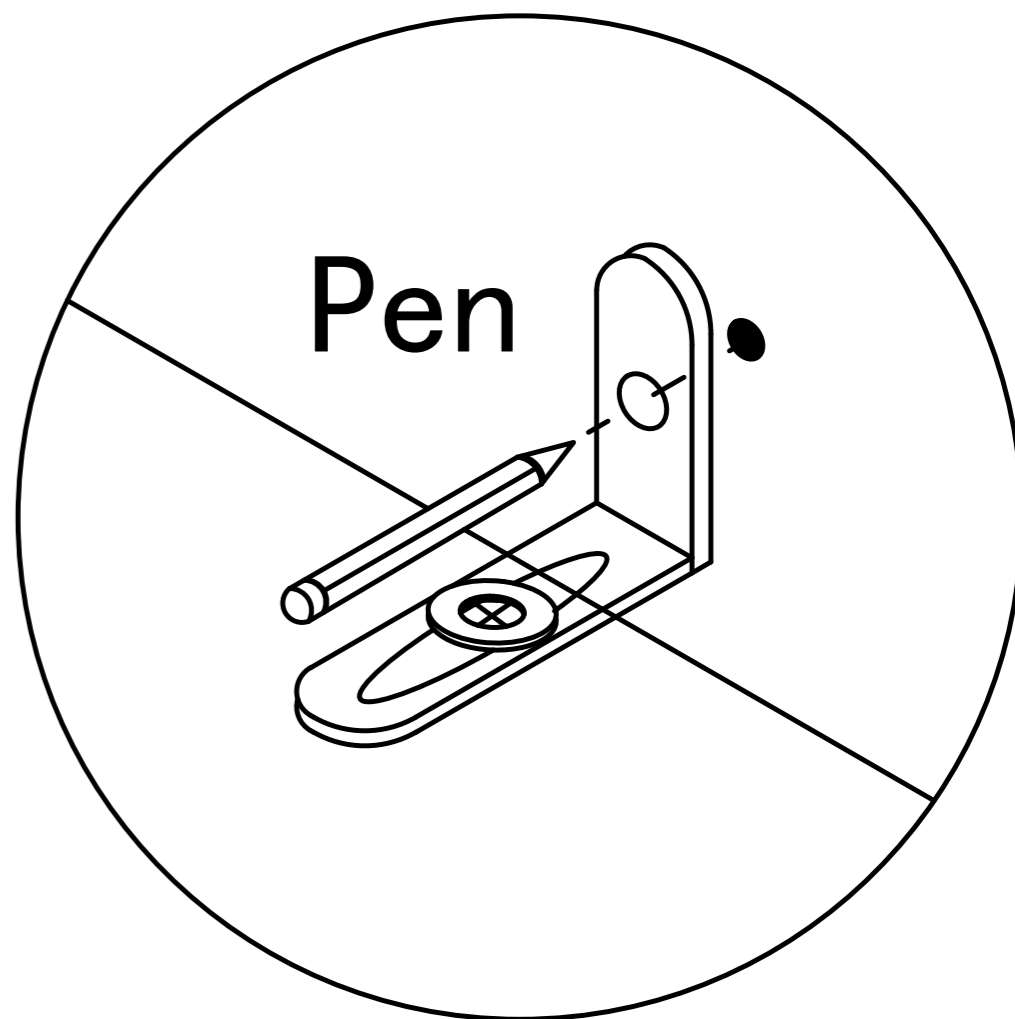
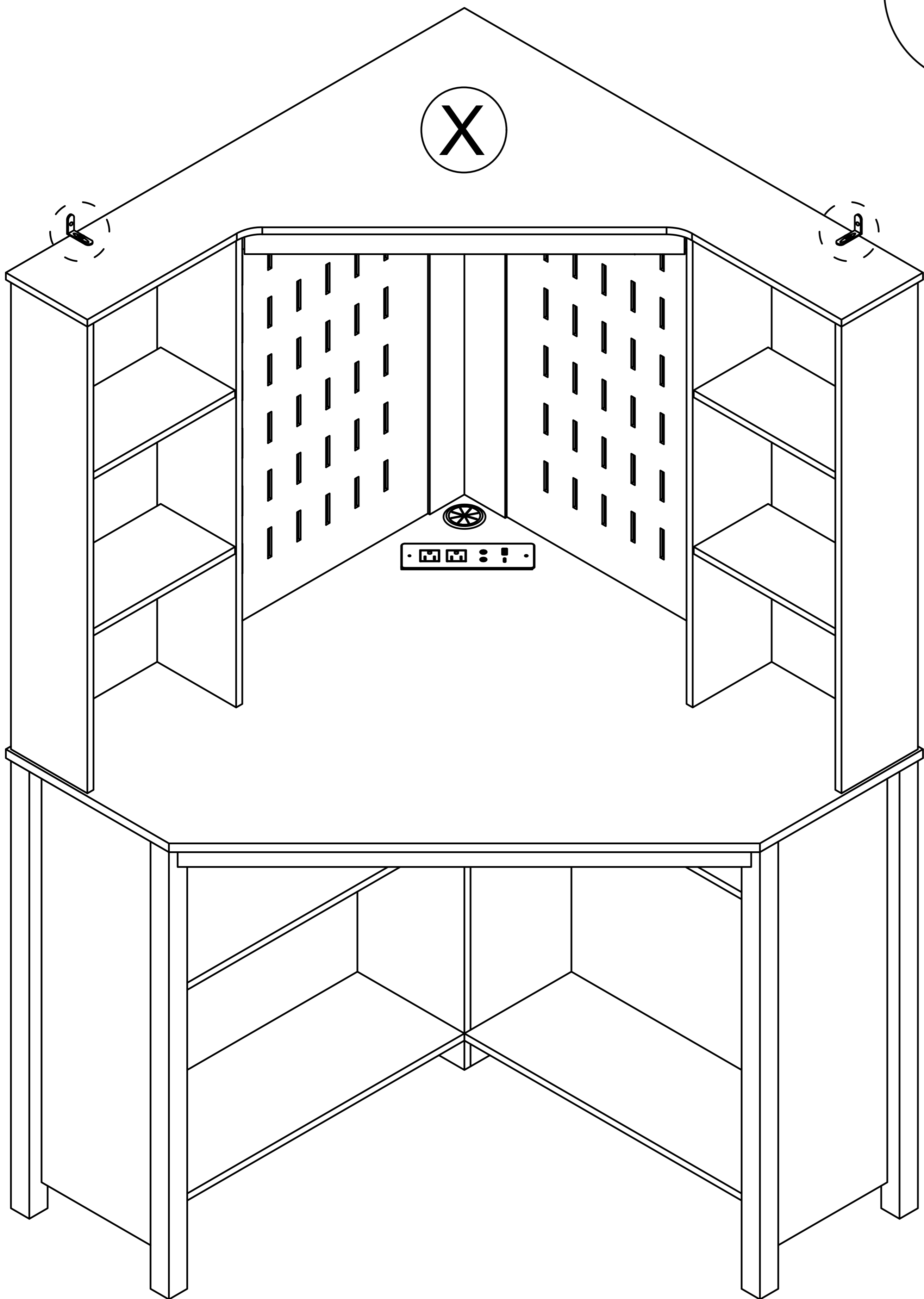
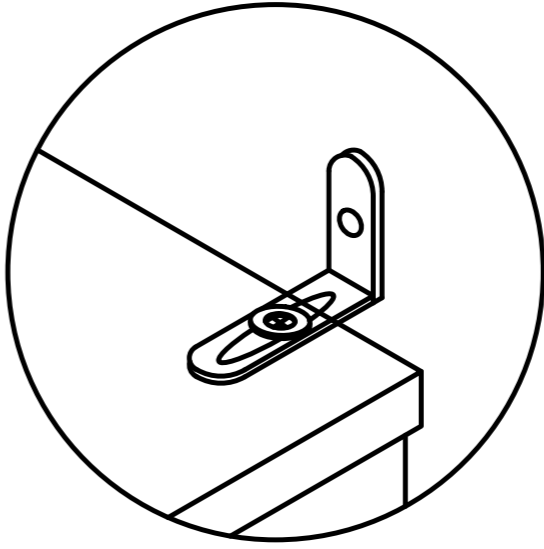


x2

3.5x14mm




Install the anti fall hardware on the cabinet as shown in the picture first

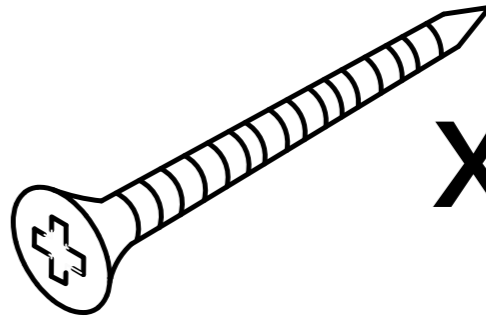
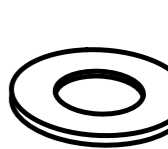


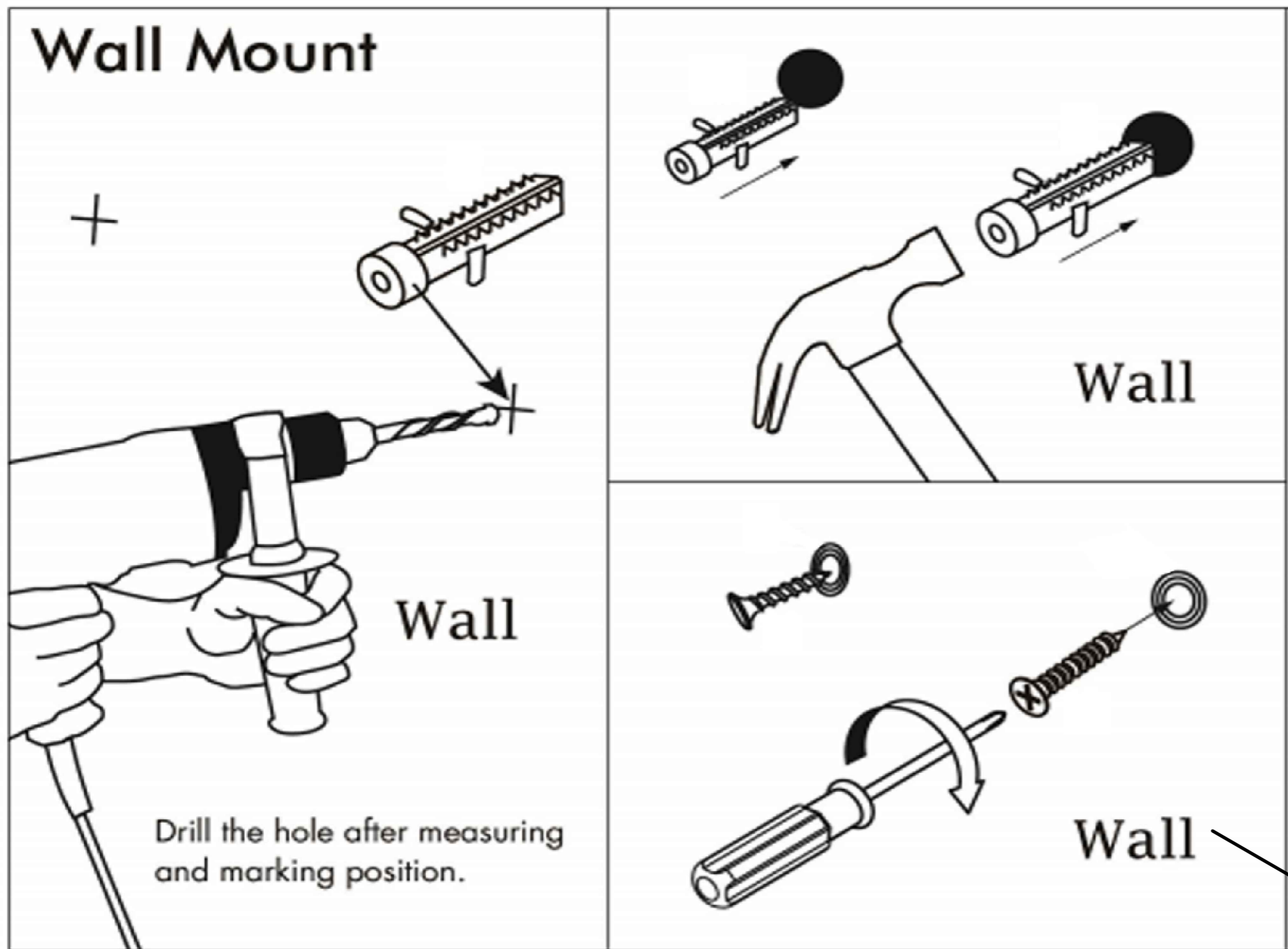
Then mark the wall with a pen through the holes in the anti-fall hardware

Step 47

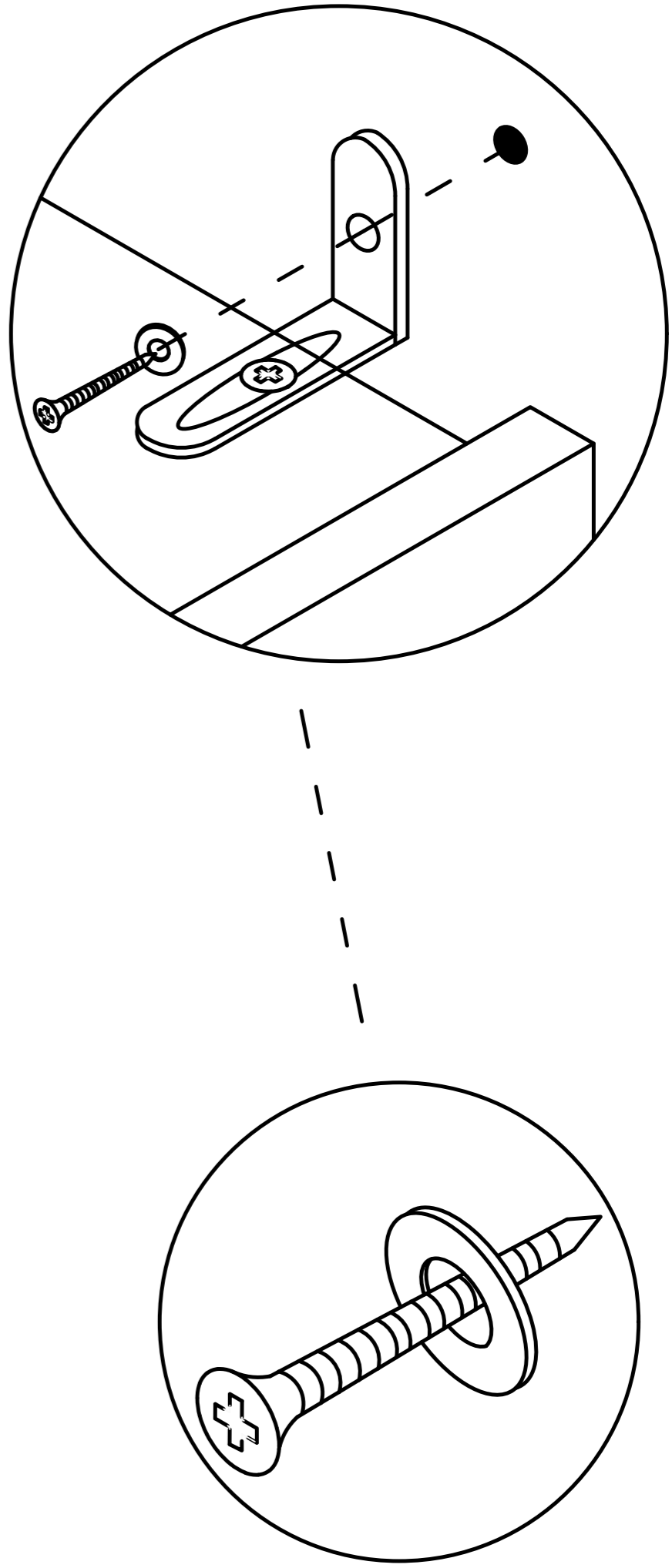
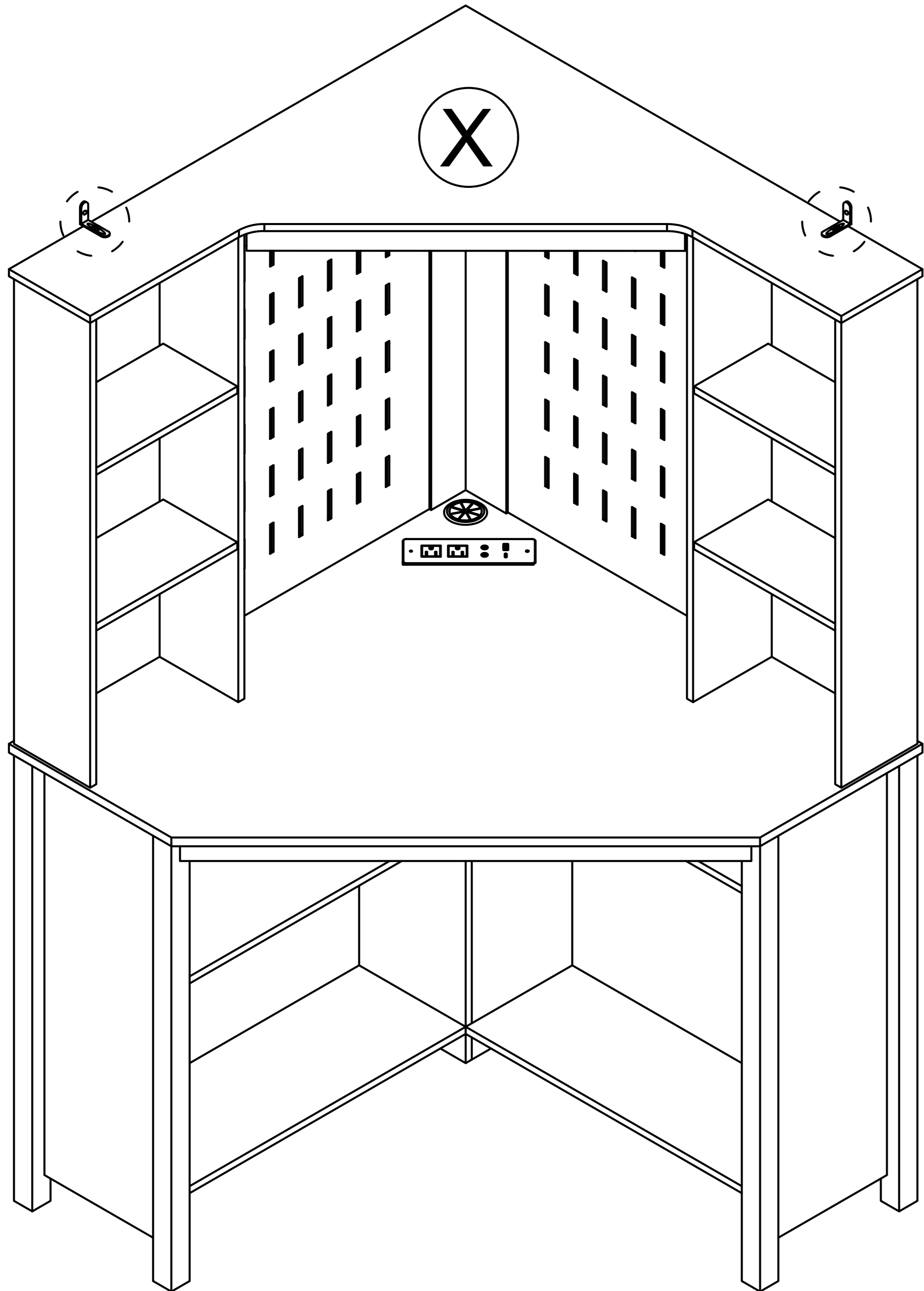
13

 x2

 x2  x2



Drill the hole with an electric drill and punch in the colloidal particles



4x45mm

Fix the dressing table to the wall

User's Guide

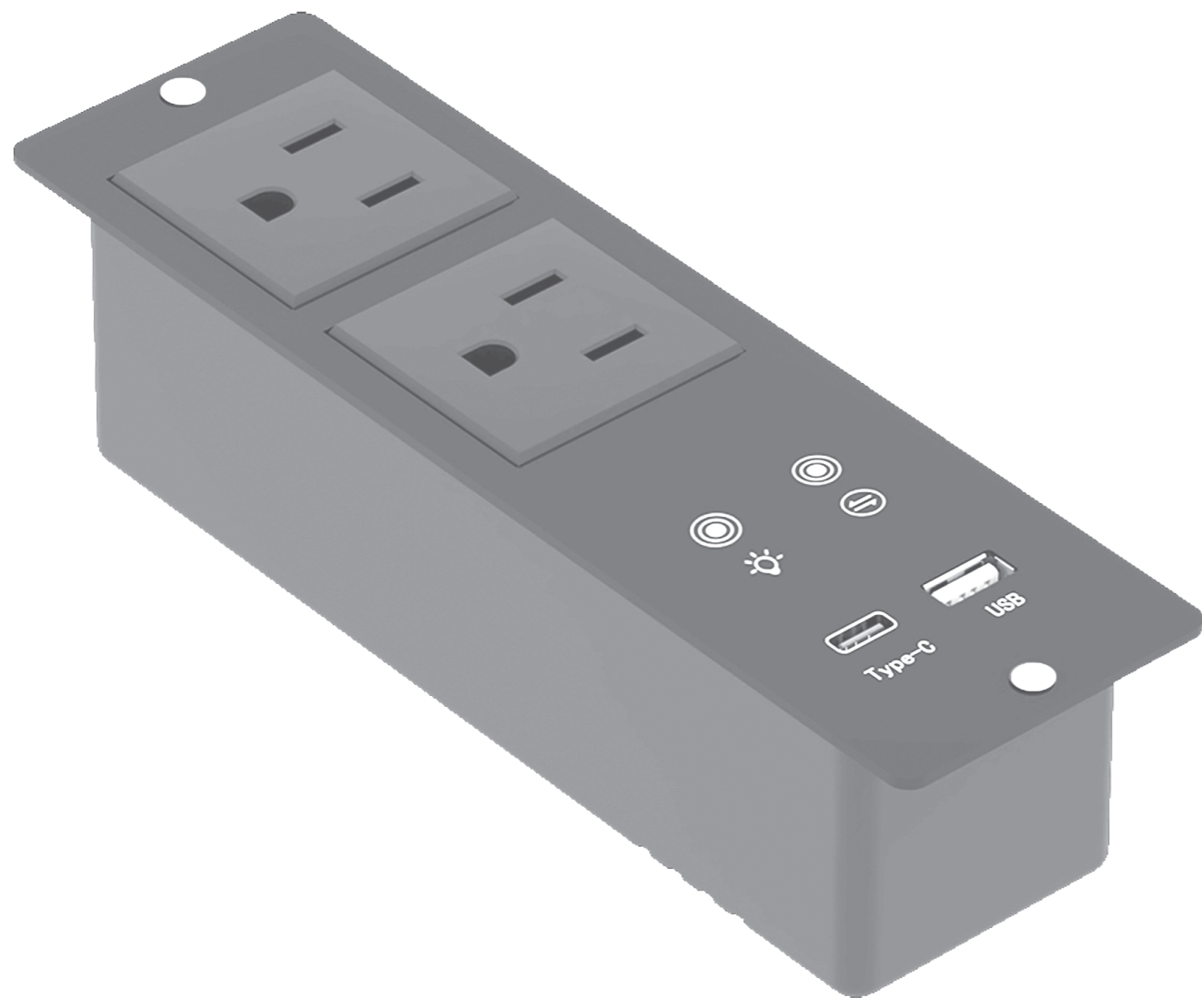
Thank you for purchasing this product.

To use this product, please connect it to a power source.

Please use if the product works normally after connecting to power.

Introduction

The box is an intelligent controller. It has 1 USB output port 1 Type-c port and can distribute the current output up to 5V DC-2A. With 2 touch buttons, it can turn. ON/OFF the light, change light colors, and adjust the light luminance.



Operation



This touch button controls the on/off of the light

Short touch -> lighting on -> short touch -> lighting off.

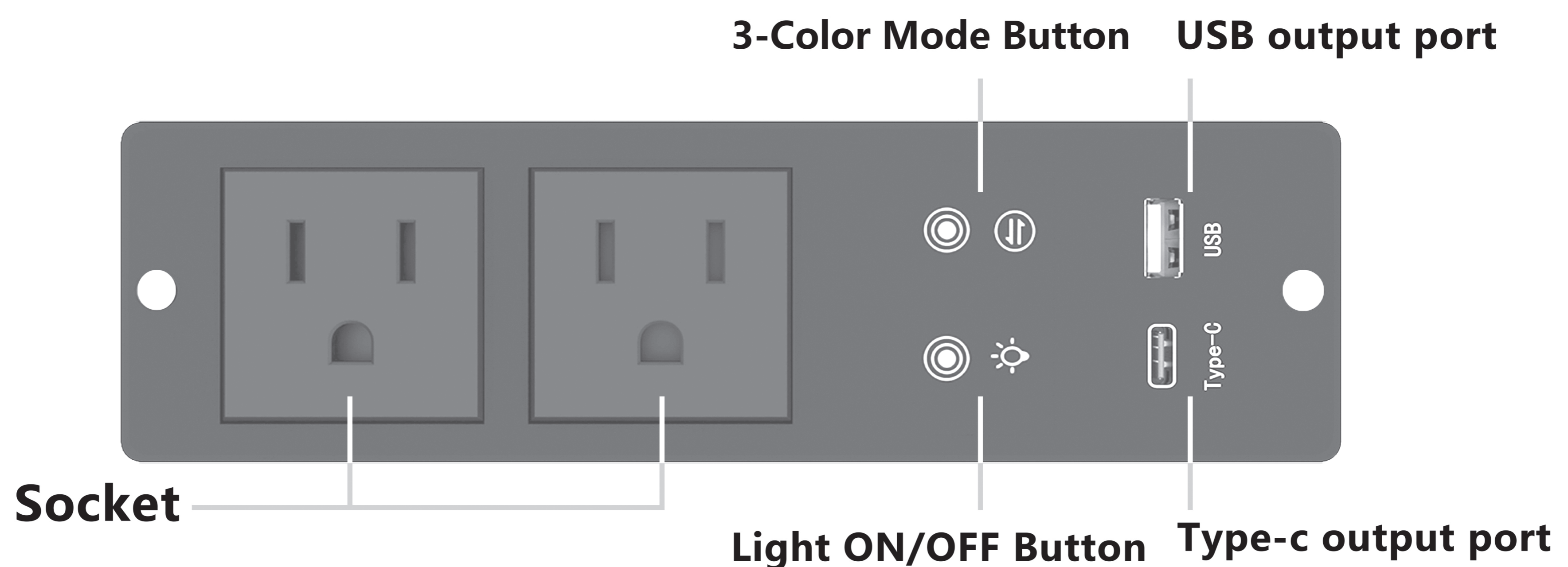


This touch button controls the color switching and brightness adjustment of the light

1. It can only be used when the light is on

2. Offering 3 different colors to choose from. Simply tap to cycle through the options.

3. Long touch -> adjust the luminance.



ATTENTION PLEASE

1. If there is no touch response suddenly, Re-plug the power to reset the touch static electricity.

2. If you have any questions when installing, please feel free to contact us. Thank you.