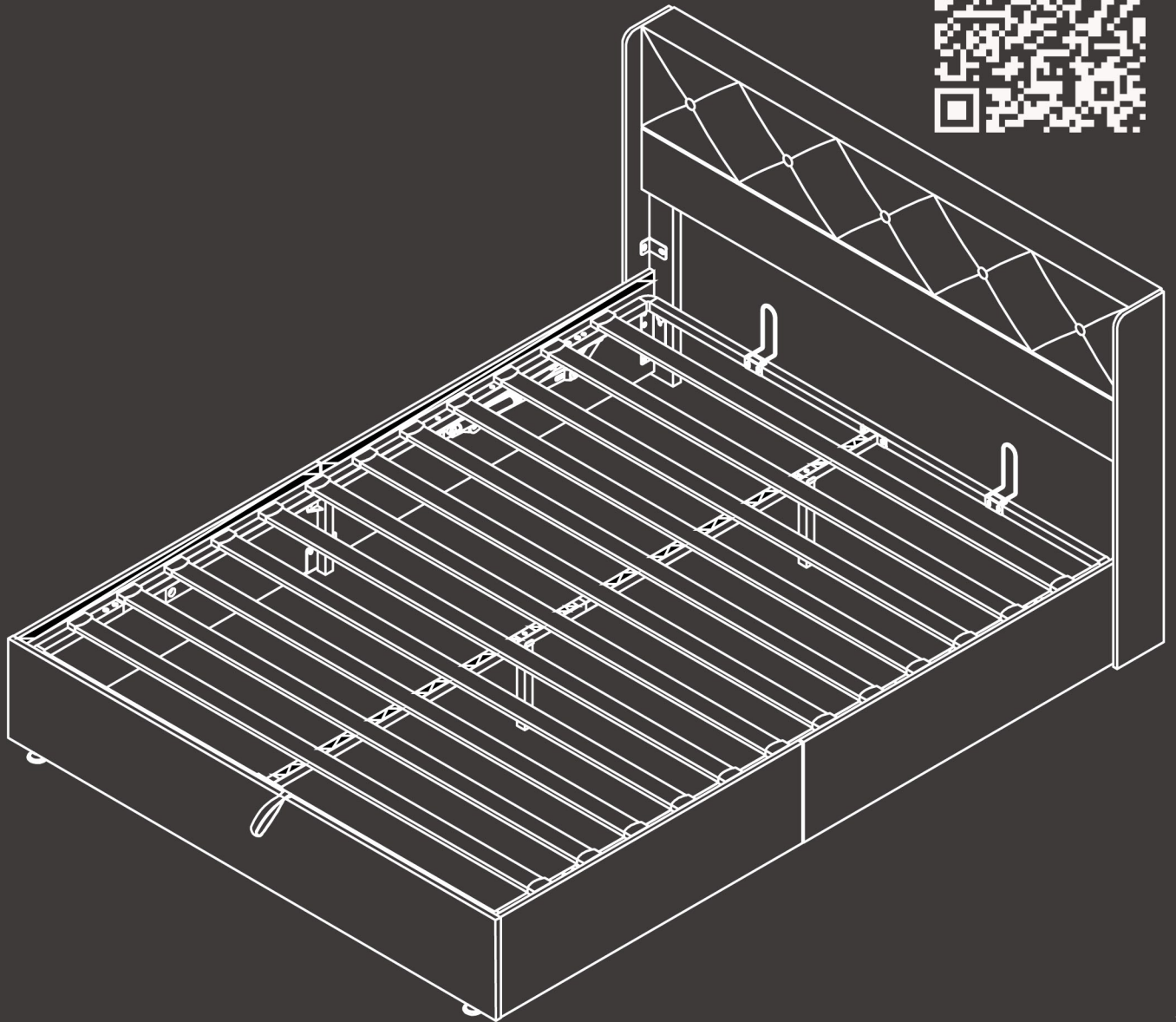


Lift Up Storage Bed

Instruction Manual

RBC-Q01-GY-F



✉ HJ-Customer-Service@outlook.com

☎ (909)637-7665 | (909)637-7593

EST 9:00AM--17:00PM

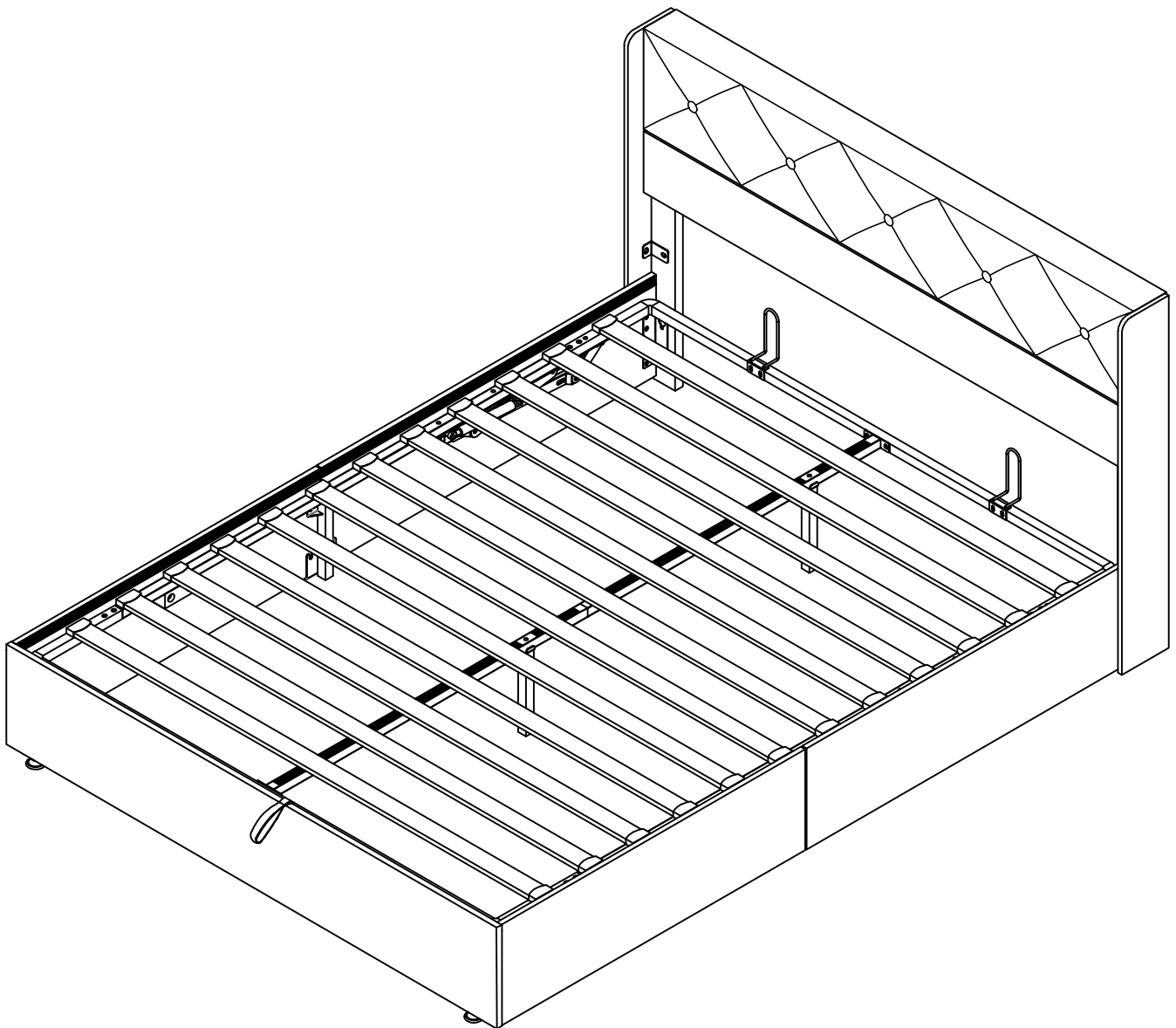
Installation Manual

Please check that you have all the parts listed before you start assembling. If you find that something is missing, do not continue assembly. Please contact us immediately.

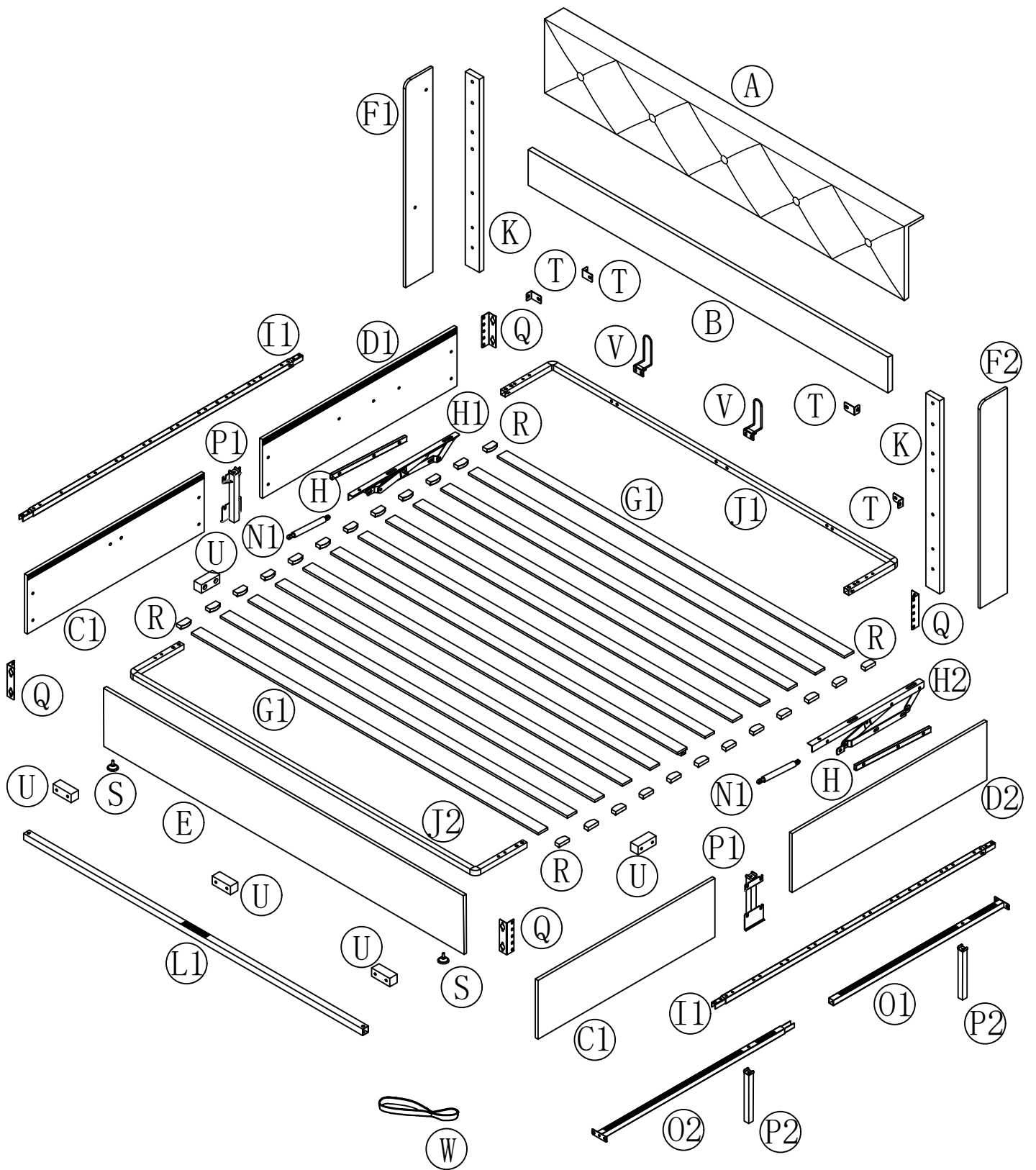
NOTE:

1. When assembling, please do not fully tighten the screws one by one until you have ensured that all corresponding screws are in the correct positions.
2. The storage function is easier to operate after placing the mattress.

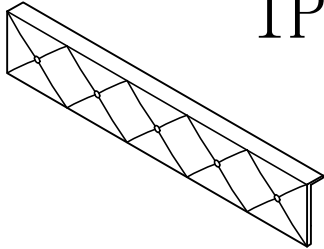
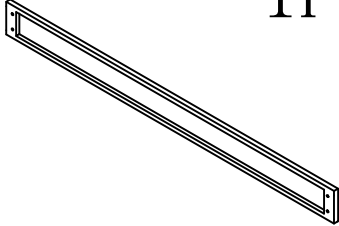
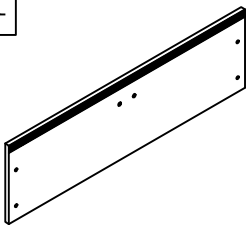
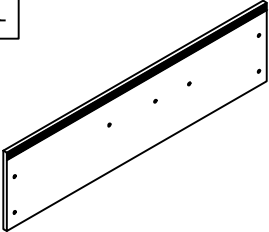
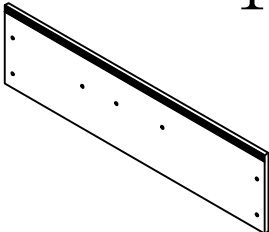
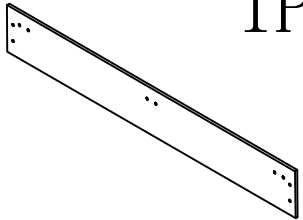


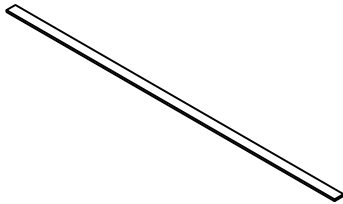
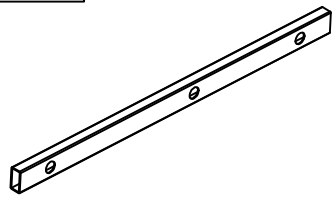
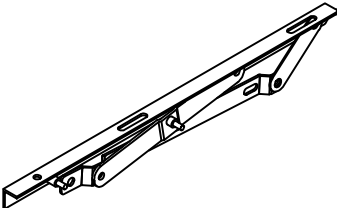
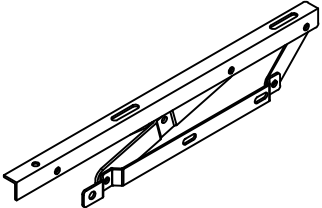
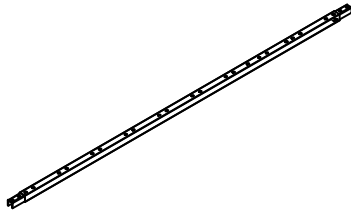
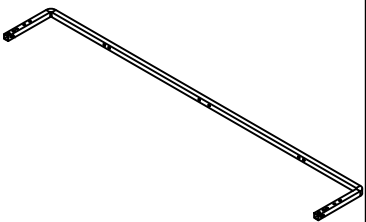
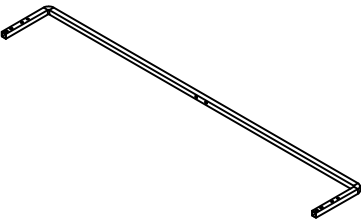

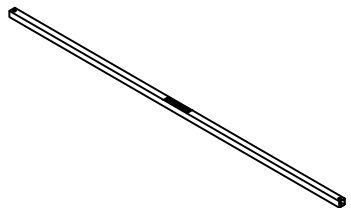
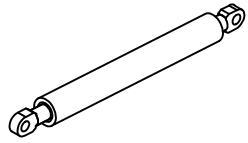
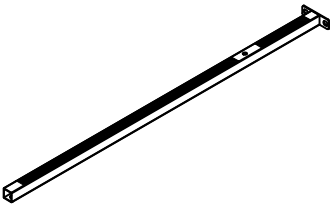
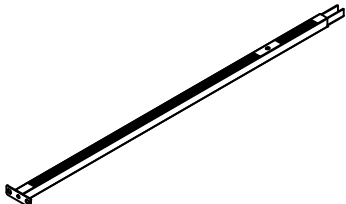
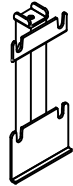

All parts are labeled with letters or alphanumeric codes for easy assembly. If you encounter any problems, please contact us promptly.

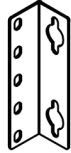
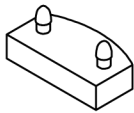
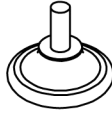
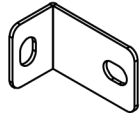
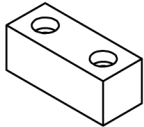
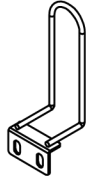



Please install strictly according to the instructions!

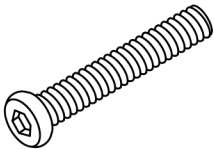
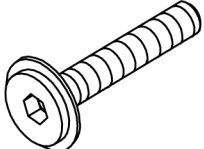
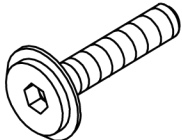
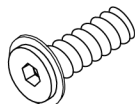
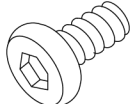




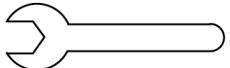


Part list

<p>A 1PC</p> 	<p>B 1PC</p> 	<p>C1 2PCS</p> 	
<p>D1 1PC</p> 	<p>D2 1PC</p> 	<p>E 1PC</p> 	
<p>F1 1PC</p> 	<p>F2 1PC</p> 	<p>G1 12PCS</p> 	<p>H 2PCS</p> 
<p>H1 1PC</p> 	<p>H2 1PC</p> 	<p>I1 2PCS</p> 	<p>J1 1PC</p> 
<p>J2 1PC</p> 	<p>K 2PCS</p> 	<p>L1 1PC</p> 	<p>N1 2PCS</p> 
<p>O1 1PC</p> 	<p>O2 1PC</p> 	<p>P1 2PCS</p> 	<p>P2 2PCS</p> 

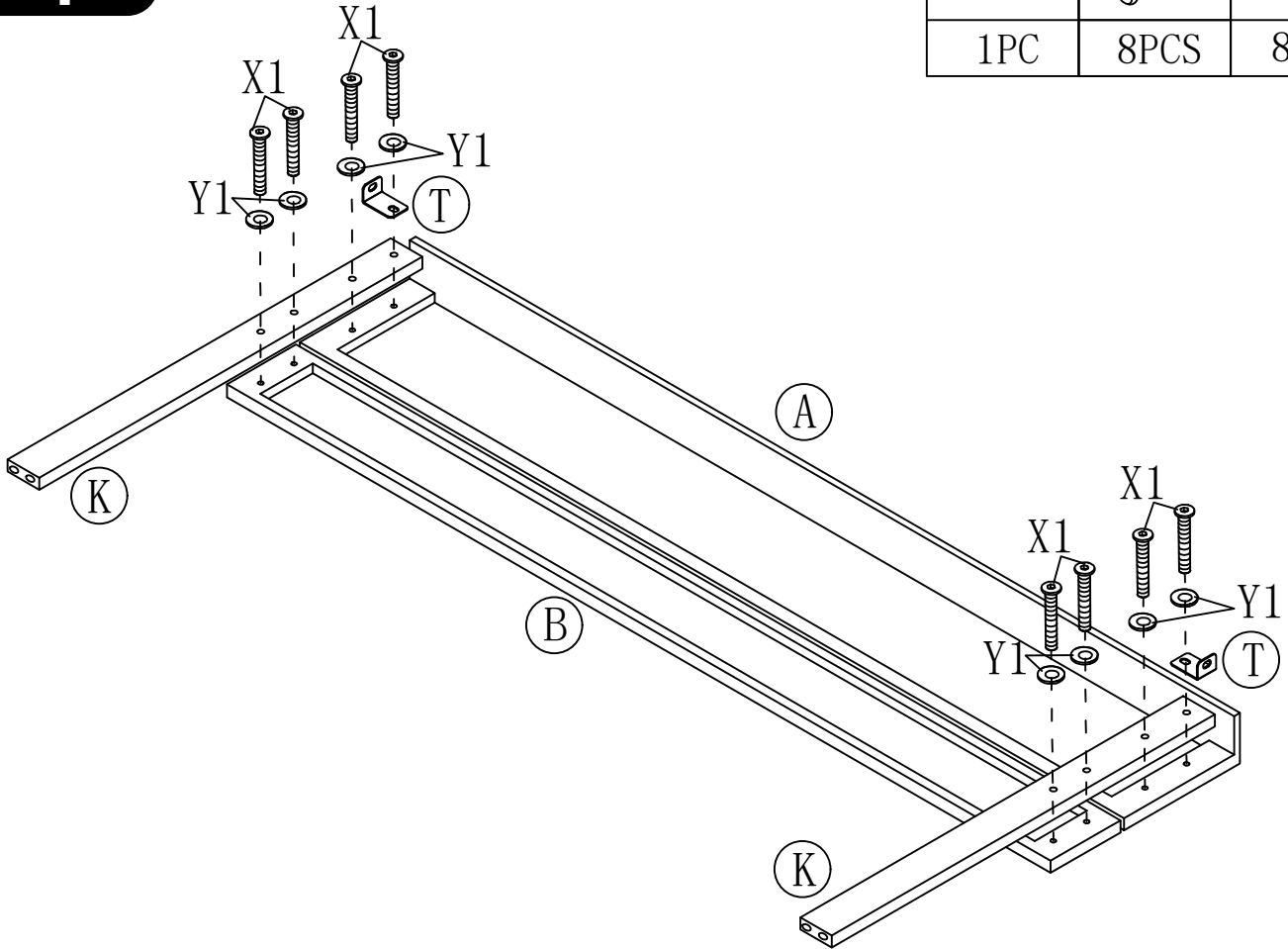
Q	4PCS	R	24+2PCS	S	2PCS	T	4PCS
							
U	5PCS	V	2PCS	W	1PC		
							

Hardware list

X1	8+1PCS	X2	4PCS	X3	16+2PCS		
							
M8*50mm		M8*45mm		M8*40mm			
X4	10+1PCS	X5	36+3PCS	X6	8+1PCS		
							
M8*30mm		M8*16mm		M8*14mm			
Y1	8+1PCS	Y2	10+1PCS	Z1	1PC	Z2	1PC
							
22*8.5		M8		M5		M13	

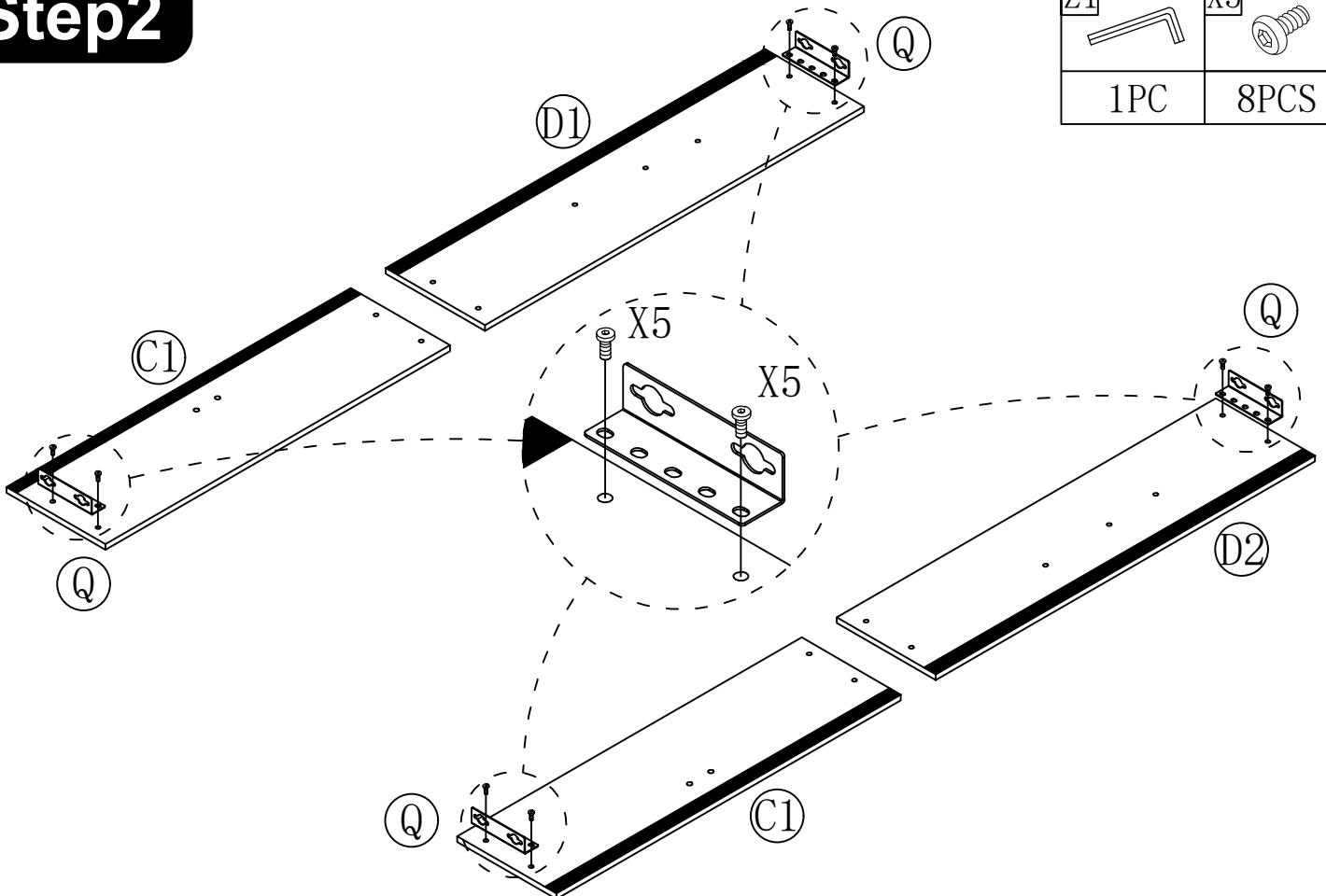
Step1

Z1	X1	Y1
1PC	8PCS	8PCS





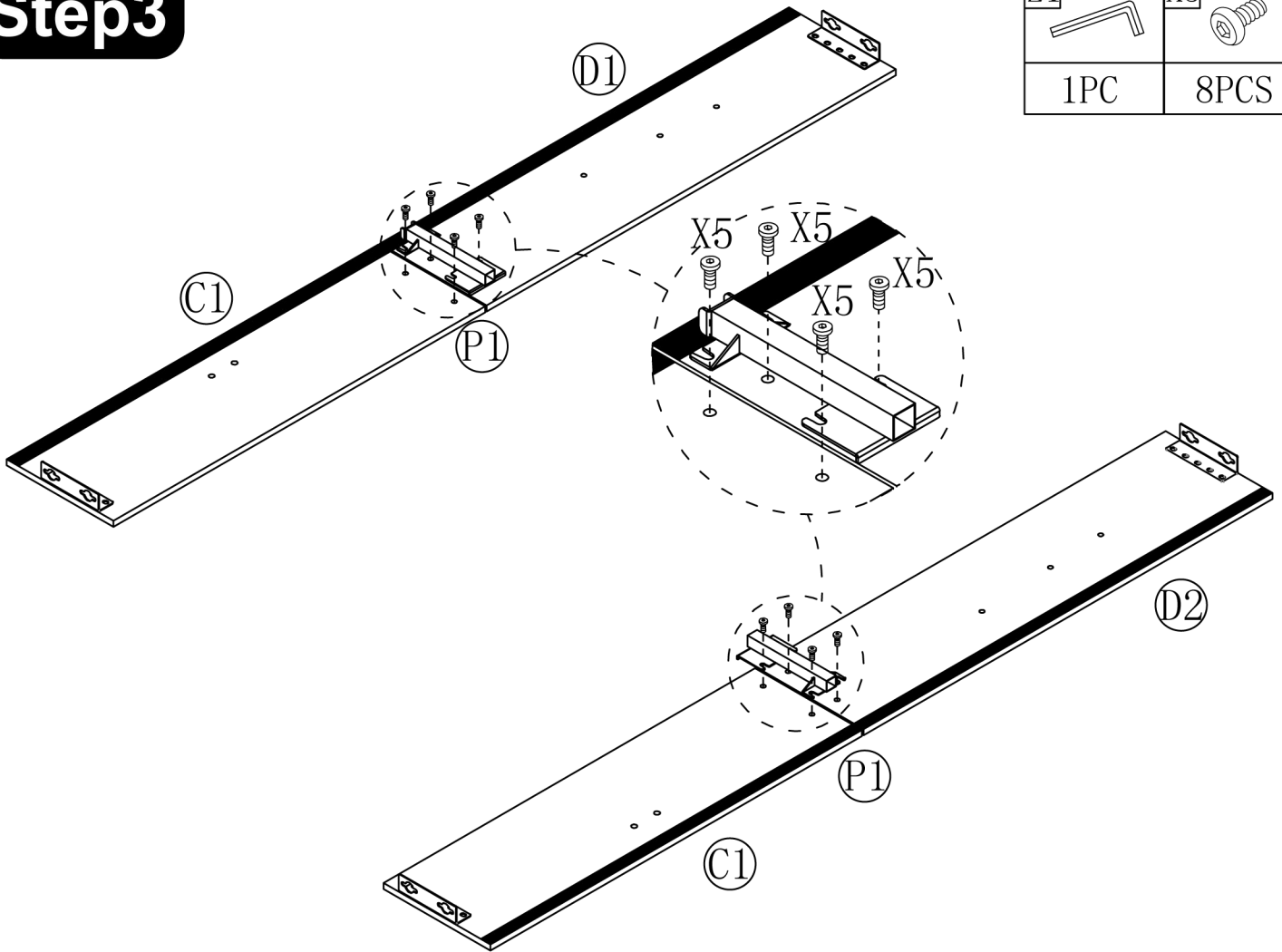
Step2

Z1	X5
1PC	8PCS






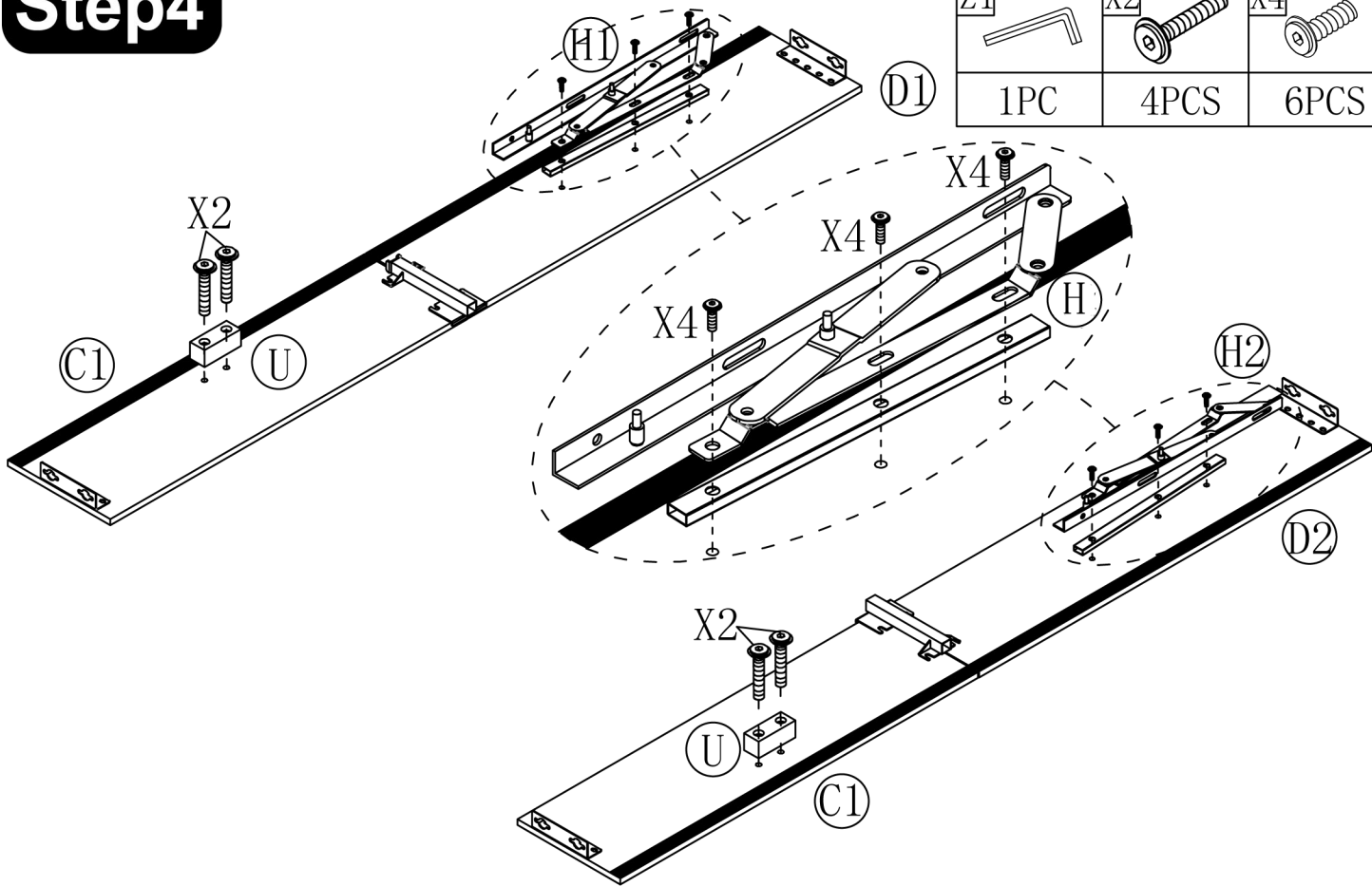
Step3

Z1	X5
	
1PC	8PCS

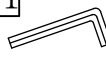




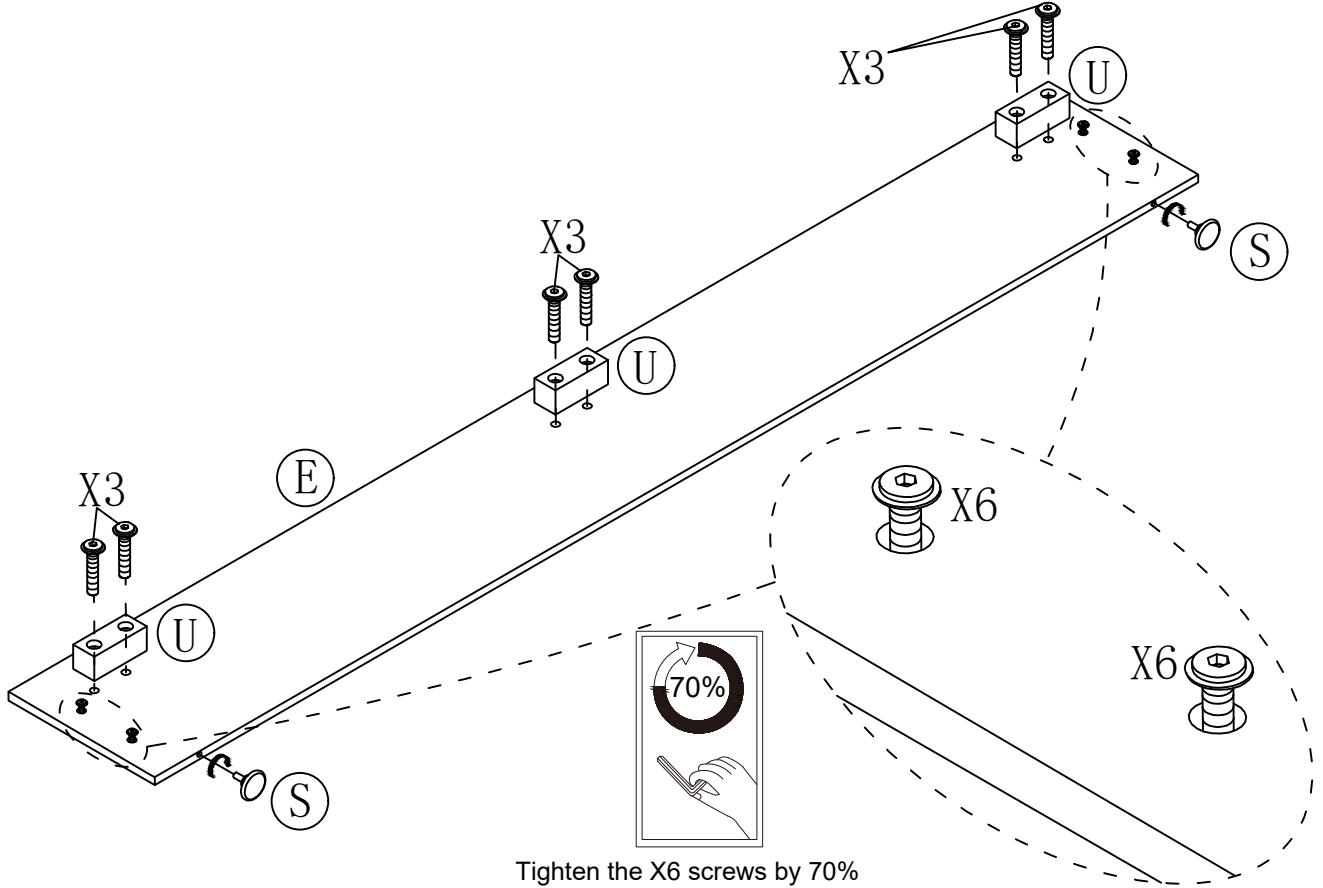
Step4

Z1	X2	X4
		
1PC	4PCS	6PCS

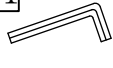



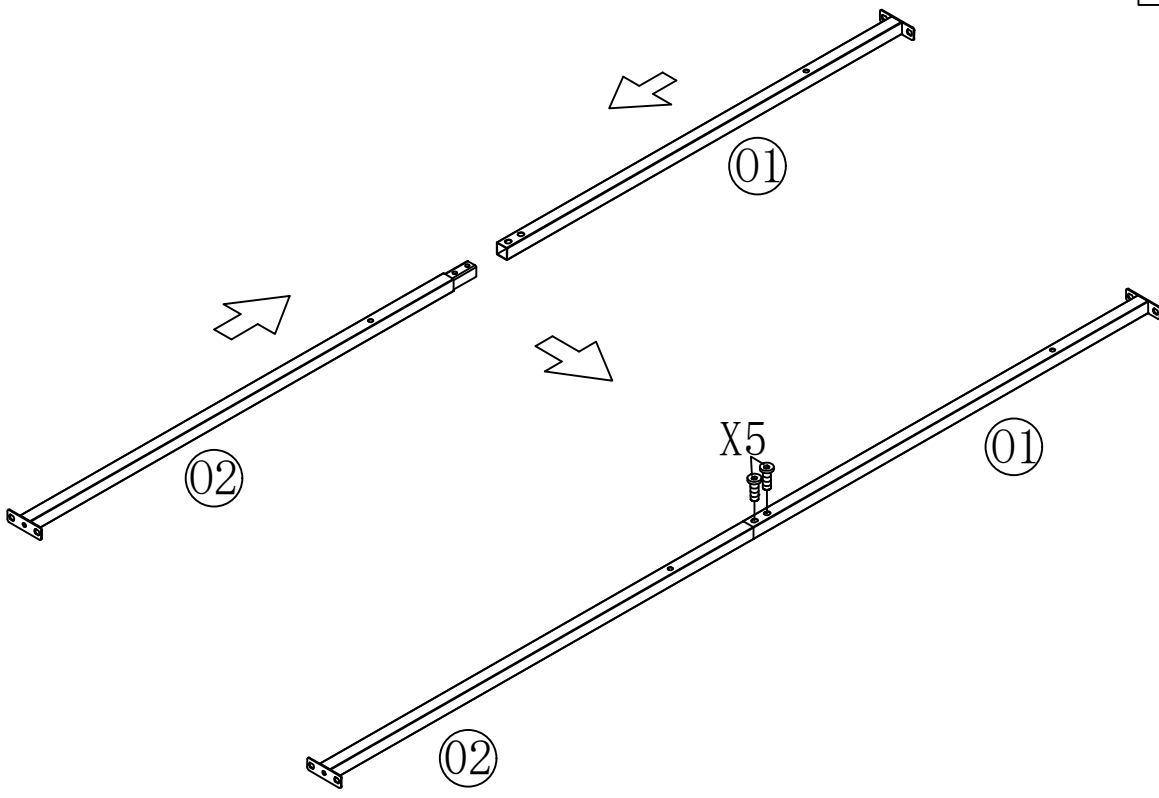
Step 5

Z1	X3	X6
		
1PC	6PCS	4PCS

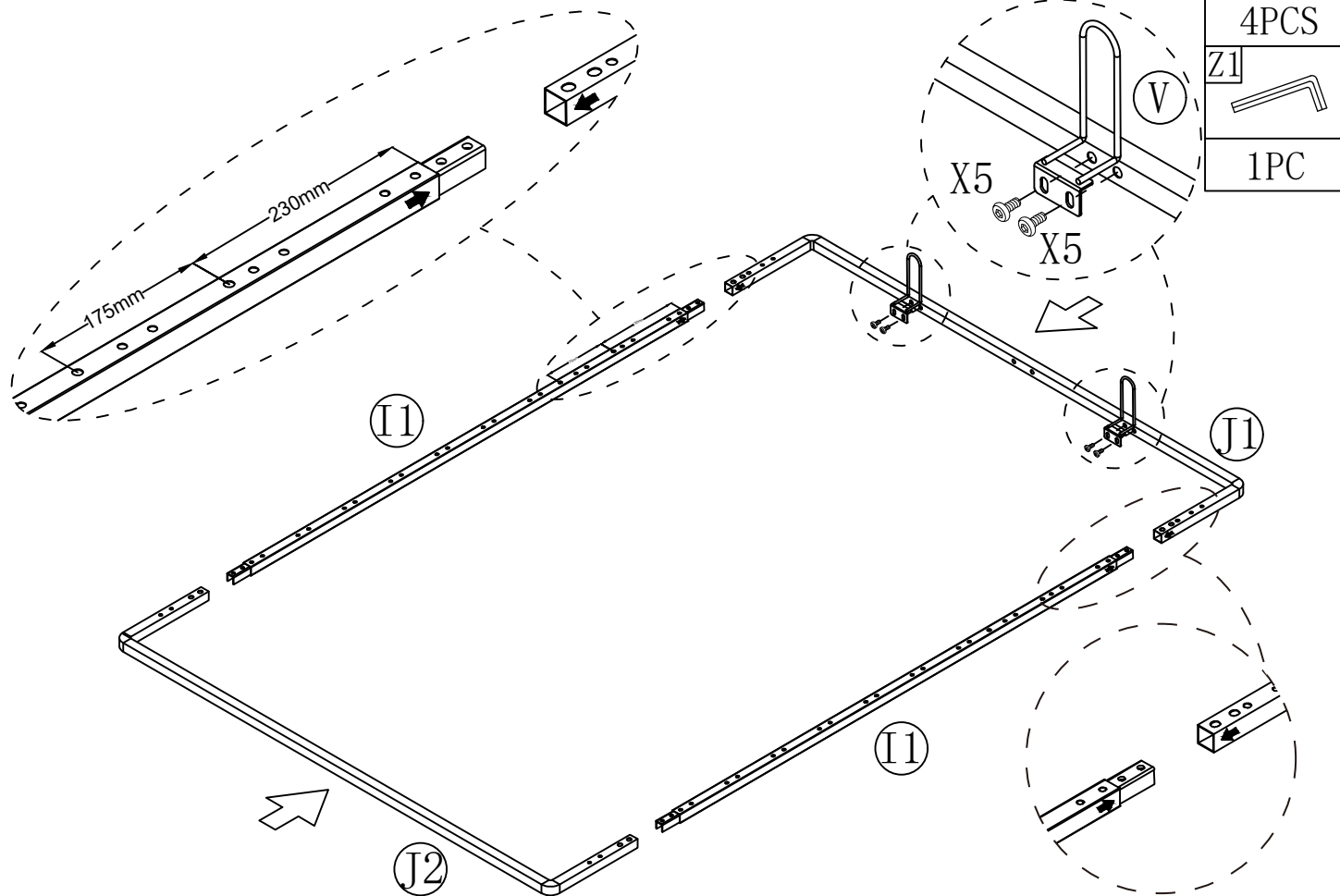


Step 6

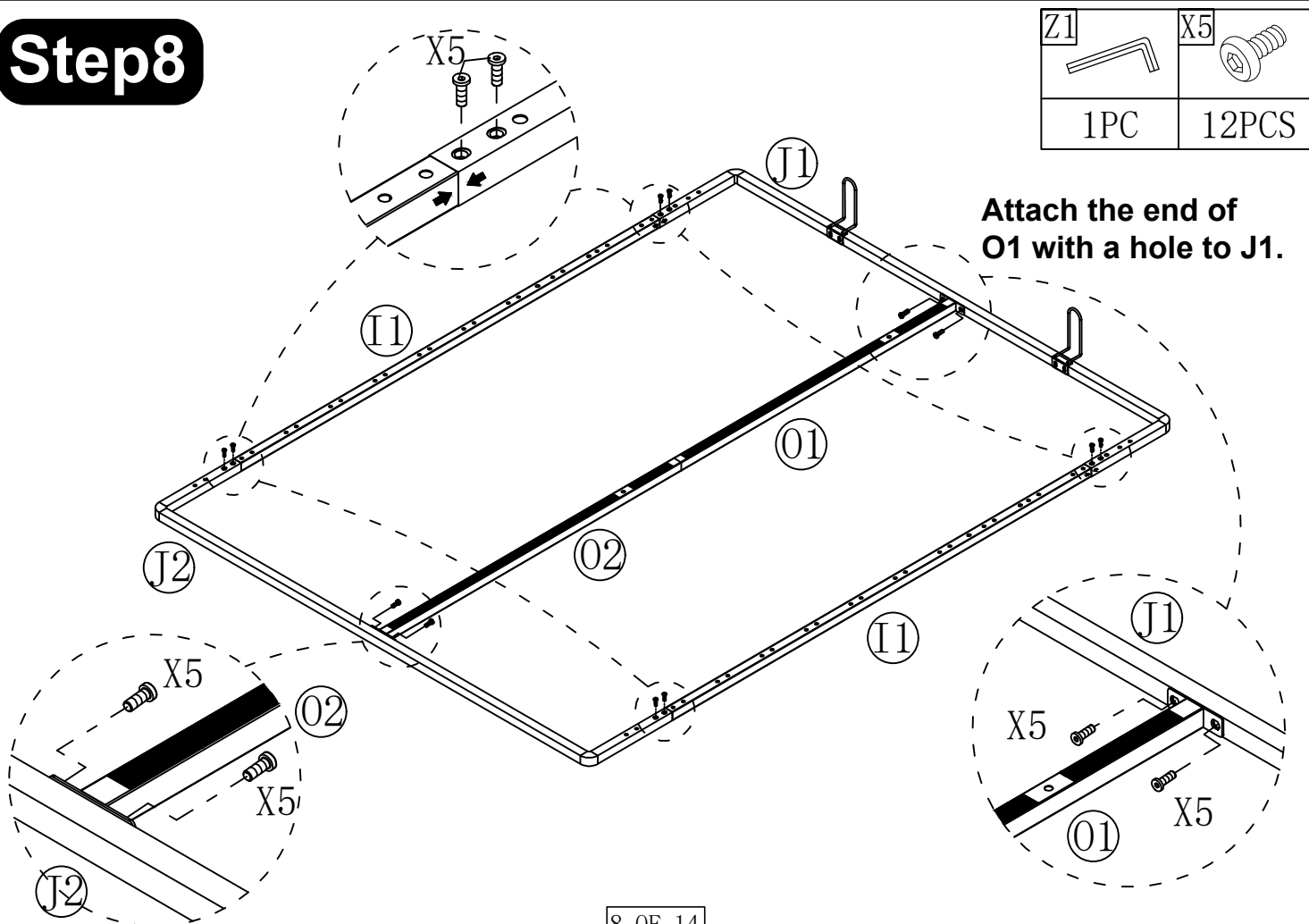
Z1	X5
	
1PC	2PCS



Step 7

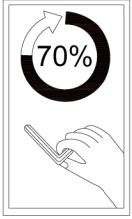


Step 8

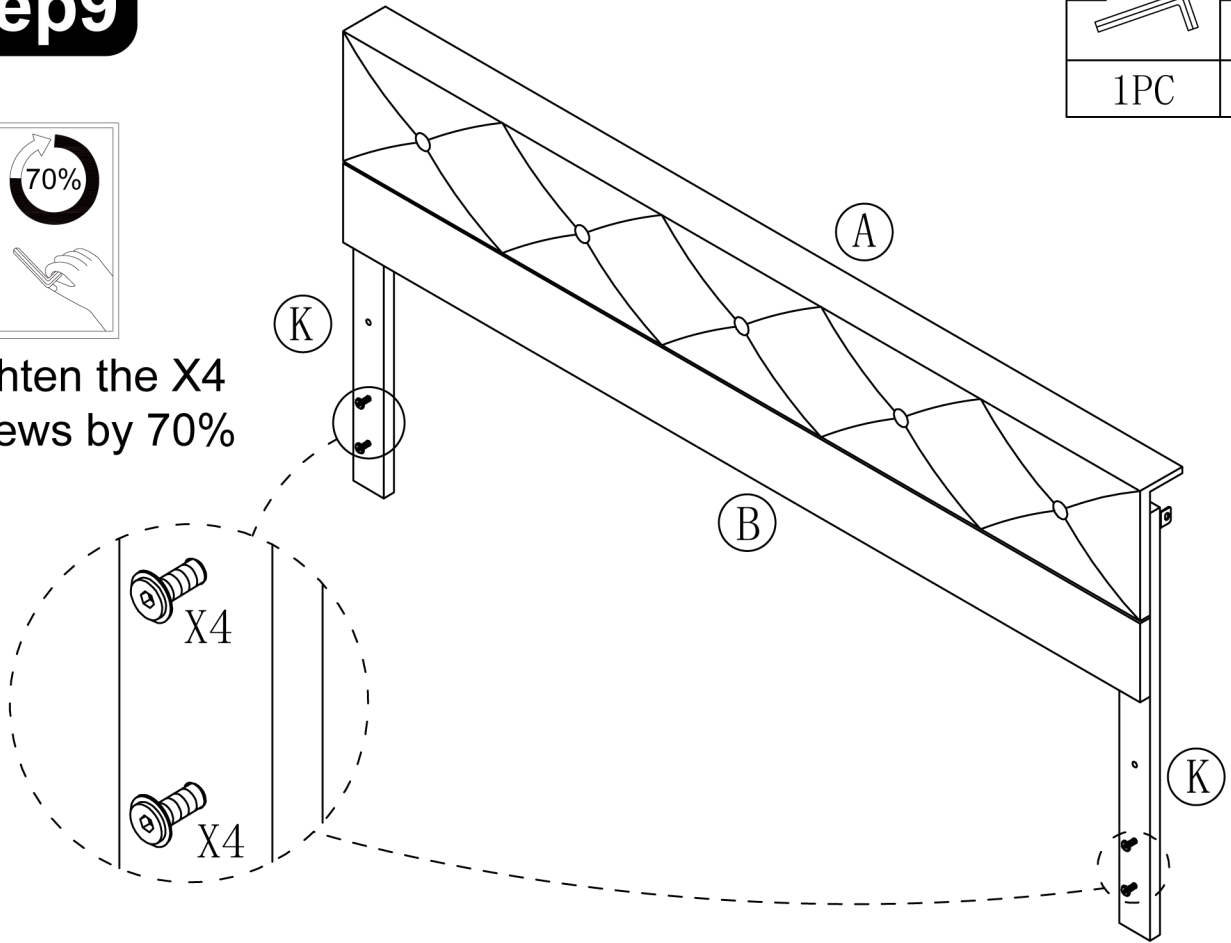


Step9

Z1	X4
1PC	4PCS

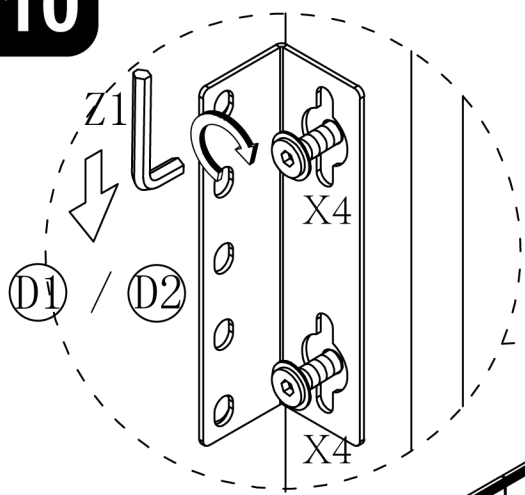


Tighten the X4 screws by 70%

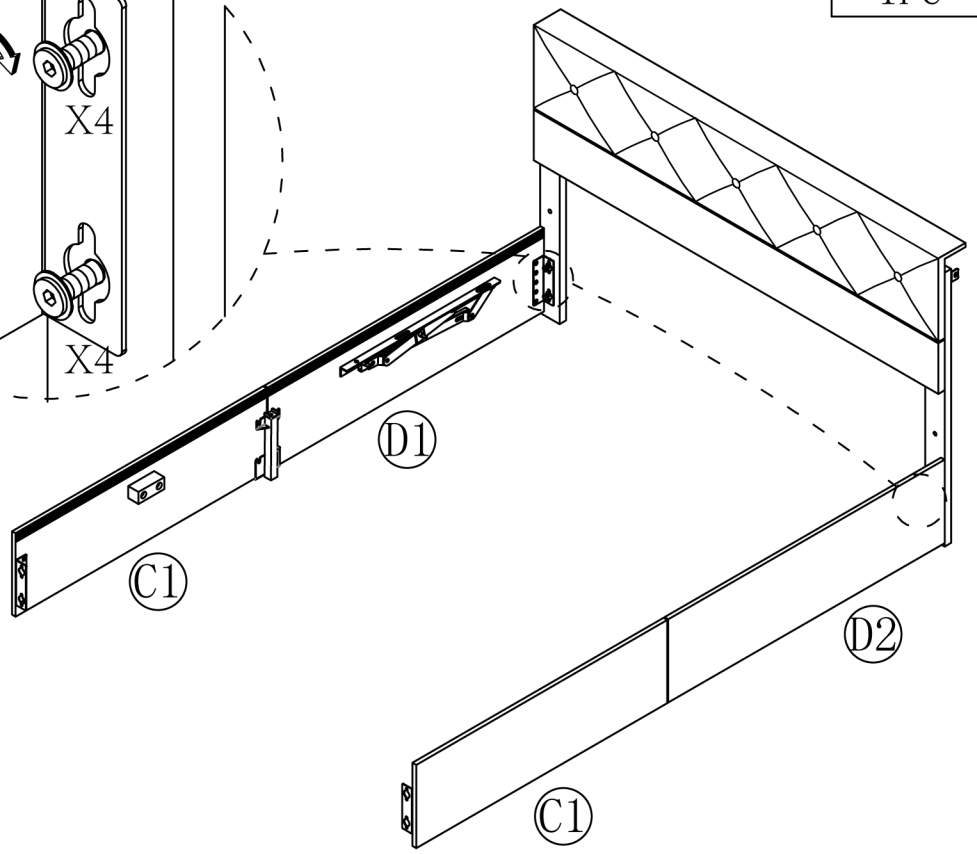


Step10


Z1
1PC

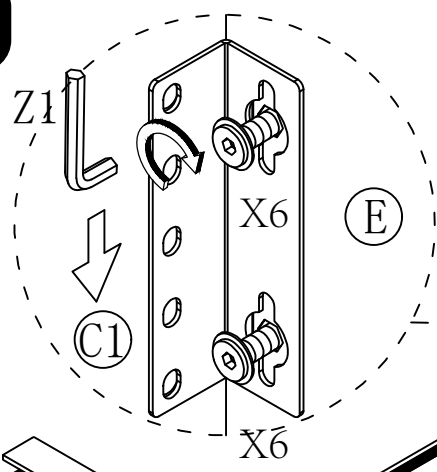


Tighten the X4 screws by 100%

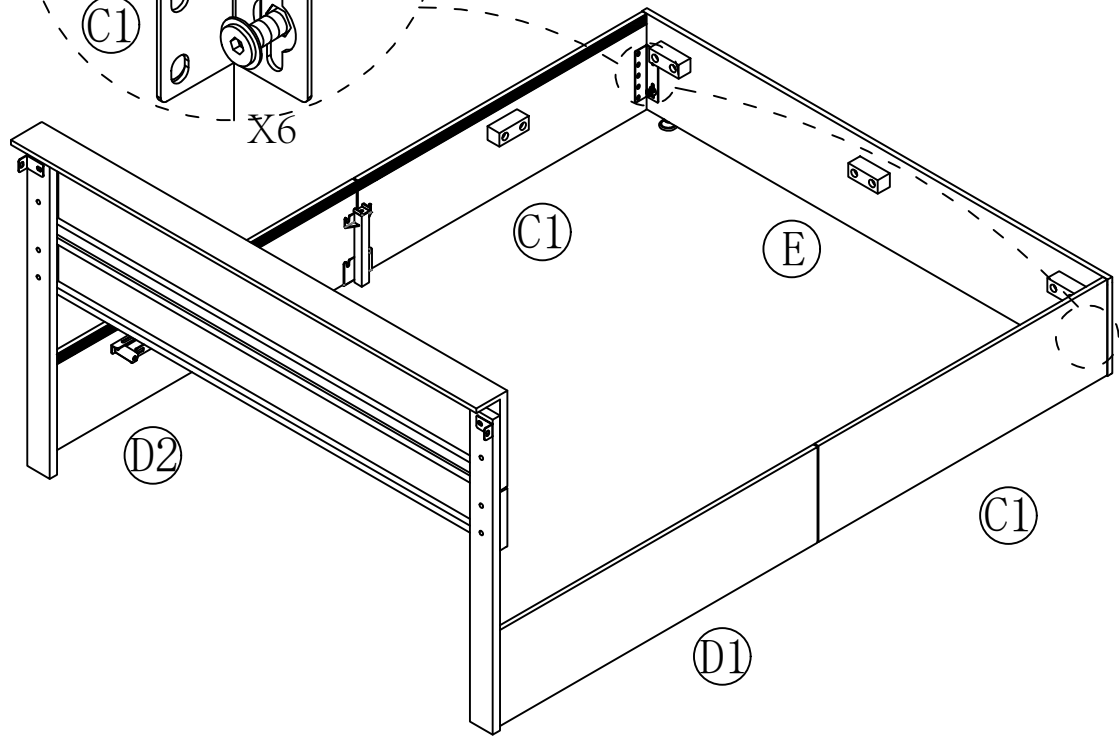


Step 11

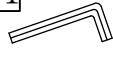

Z1	
1PC	

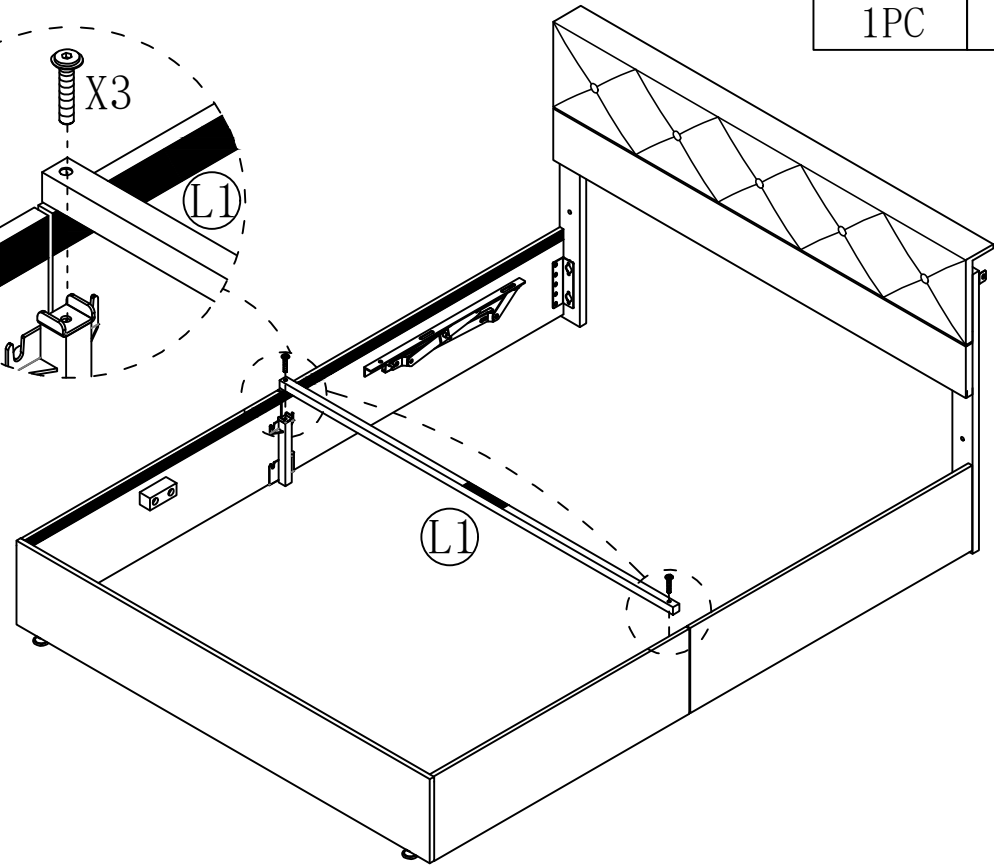
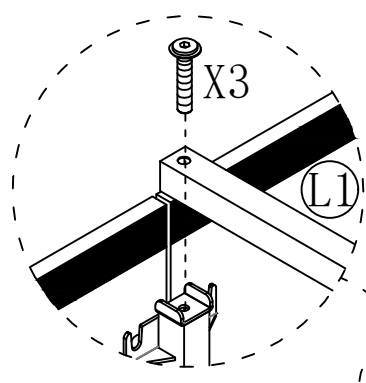


Tighten the X6 screws by 100%





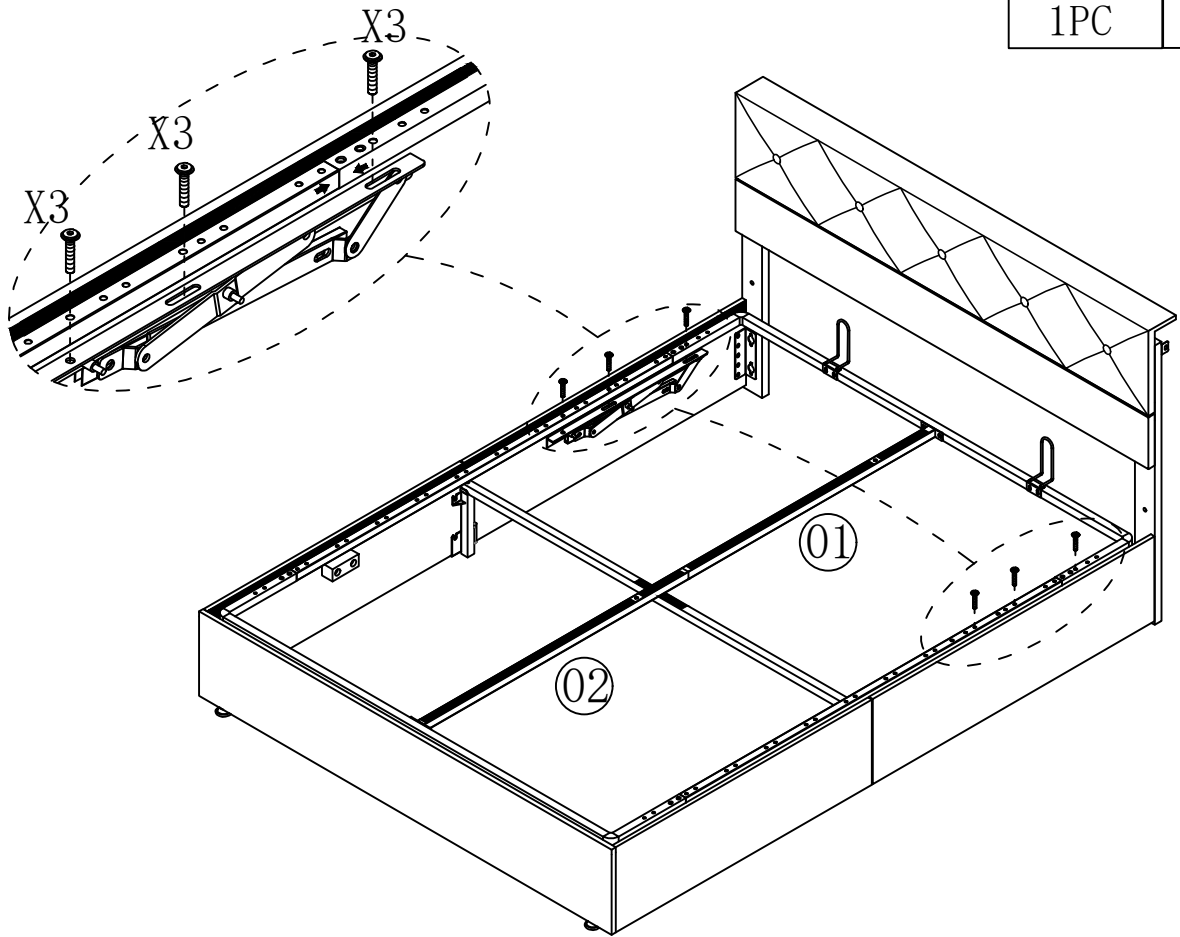
Step 12

Z1		X3	
1PC		2PCS	





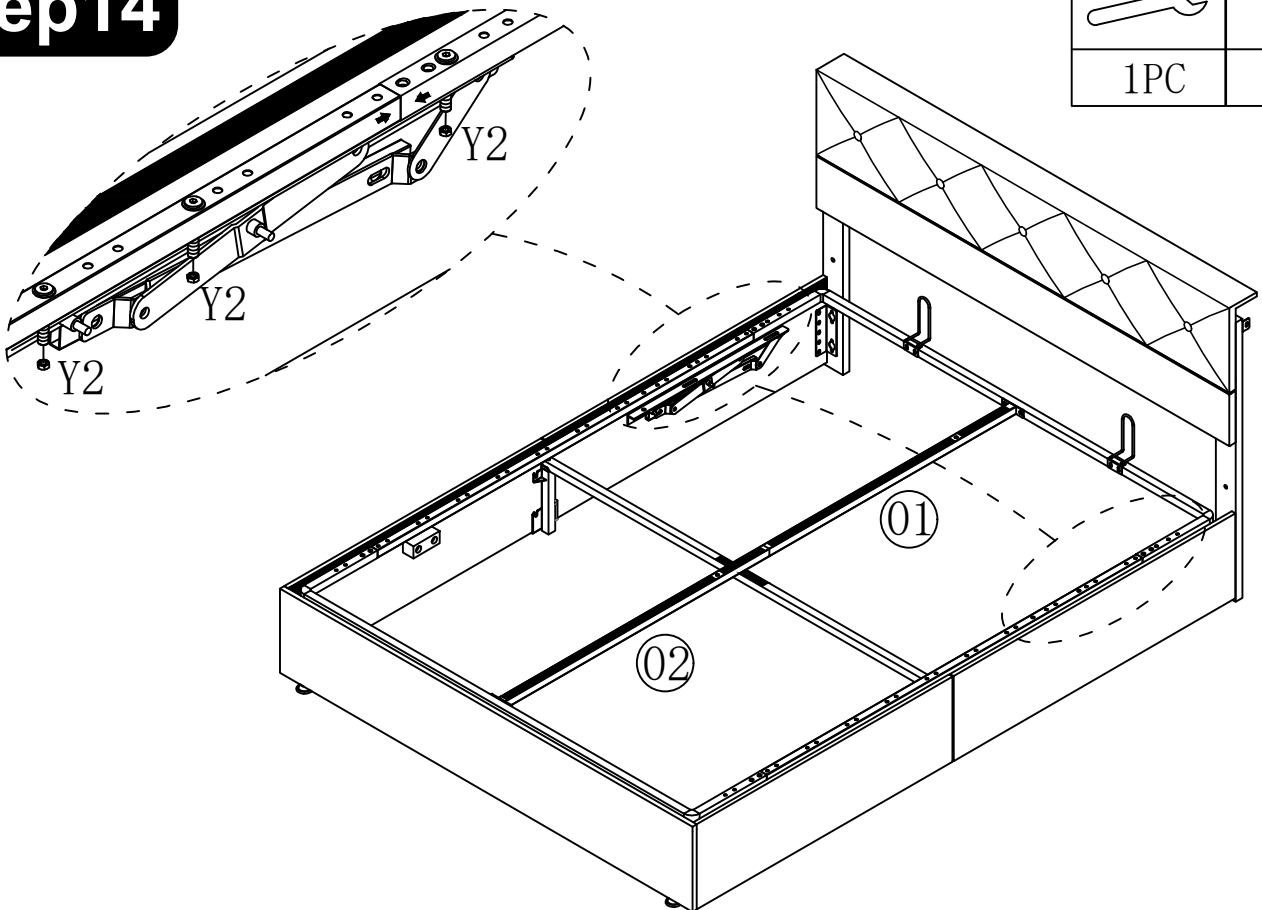
Step13

Z1	X3
	
1PC	6PCS





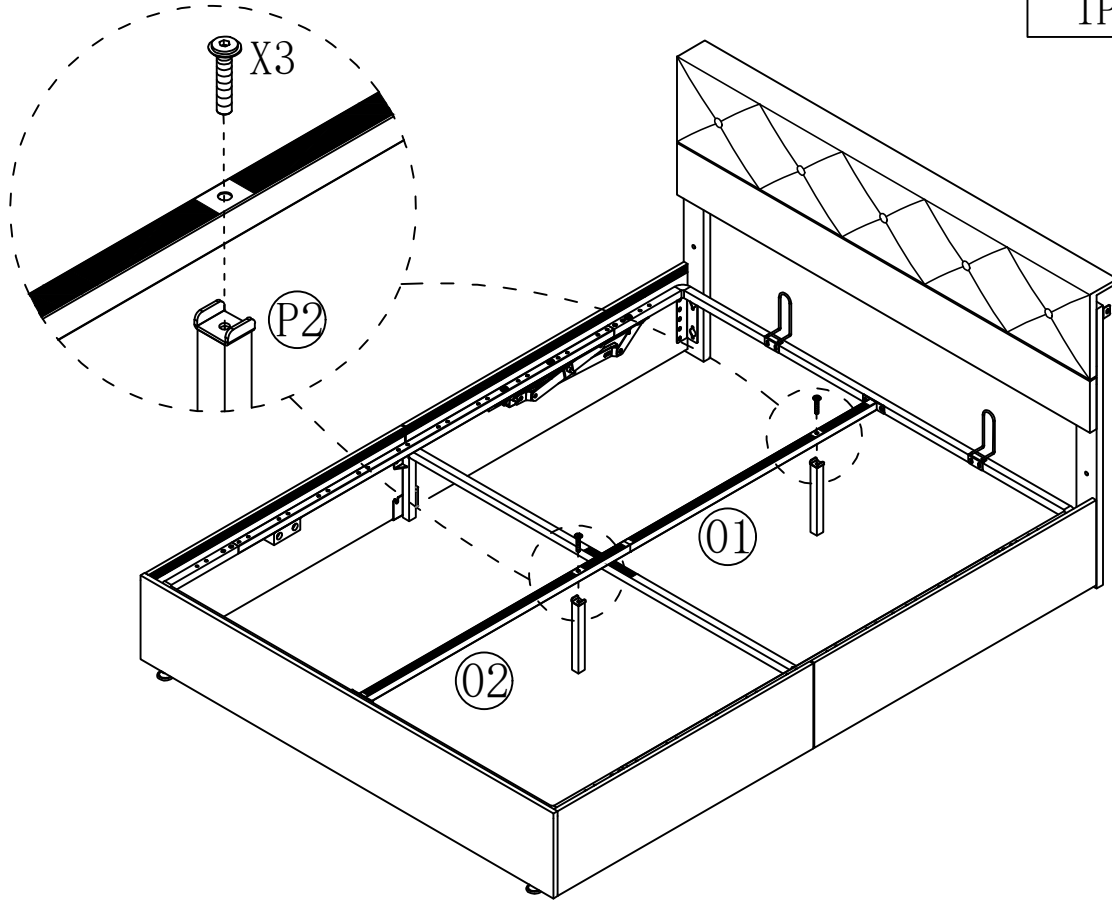
Step14

Z2	Y2
	
1PC	6PCS

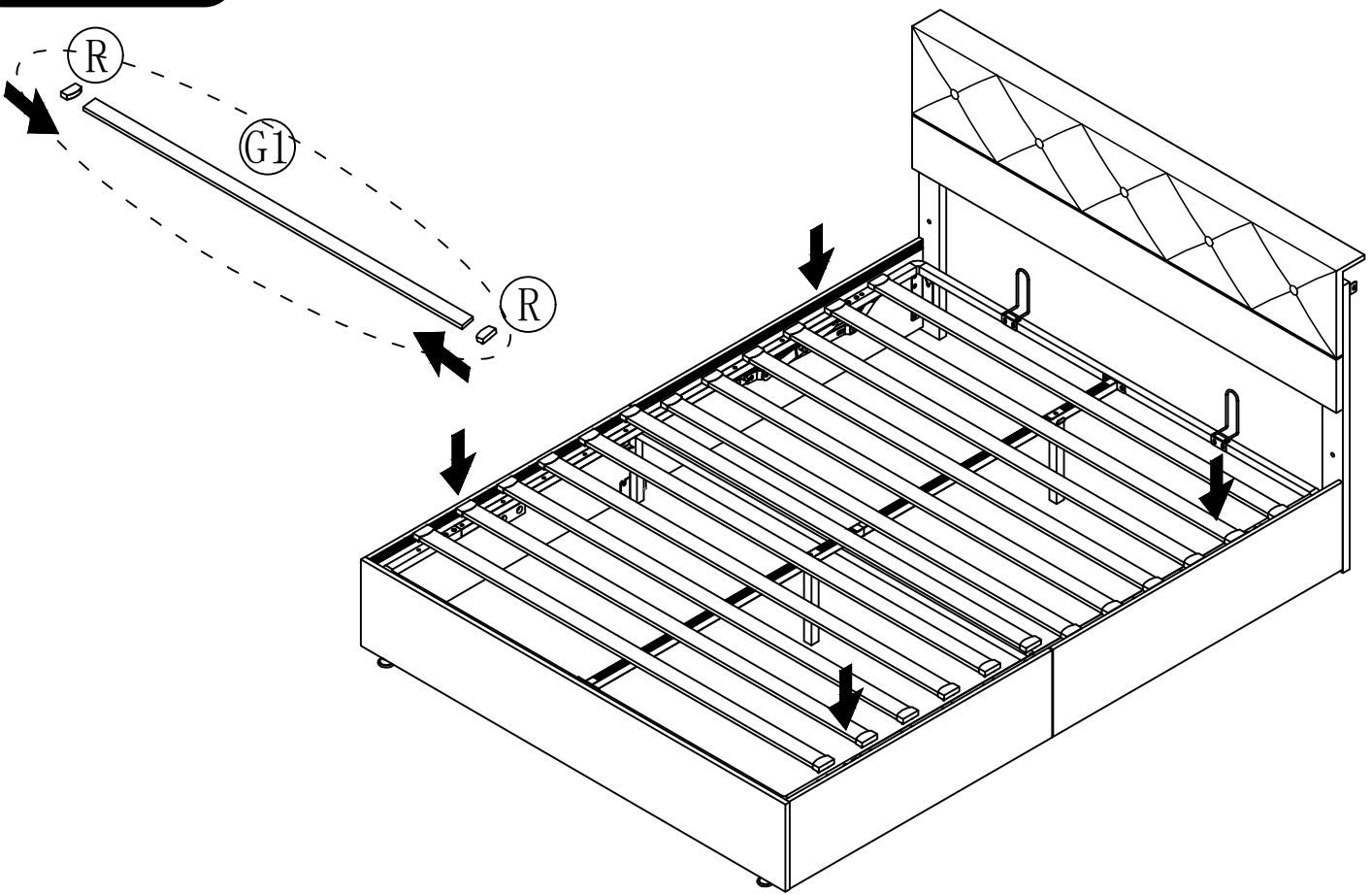


Step15

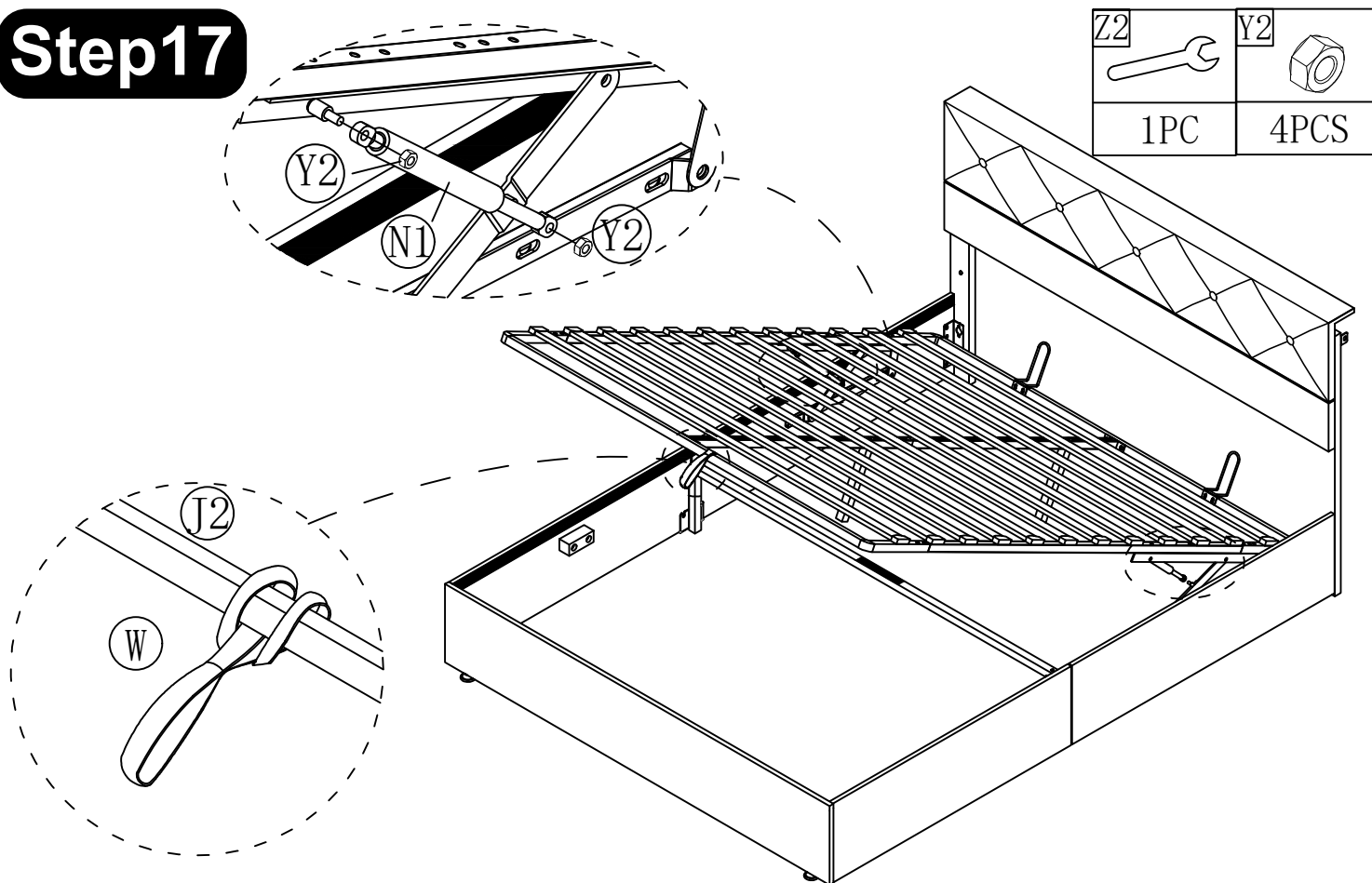
Z1		X3	
1PC		2PCS	



Step16



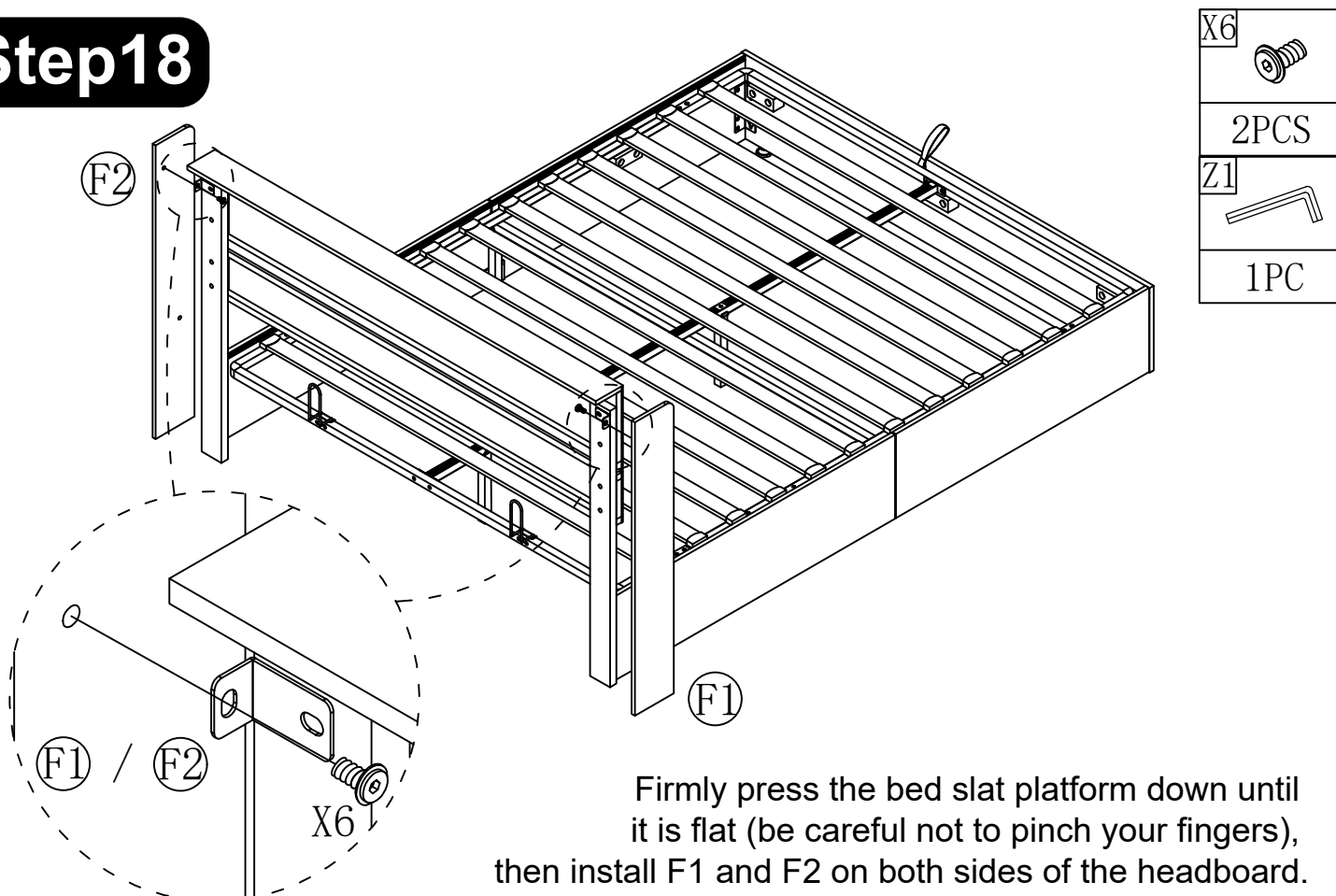
Step 17



Pull up the bed slats to raise the hydraulic rods (being careful not to hit your head), then tie strap (W) in place.

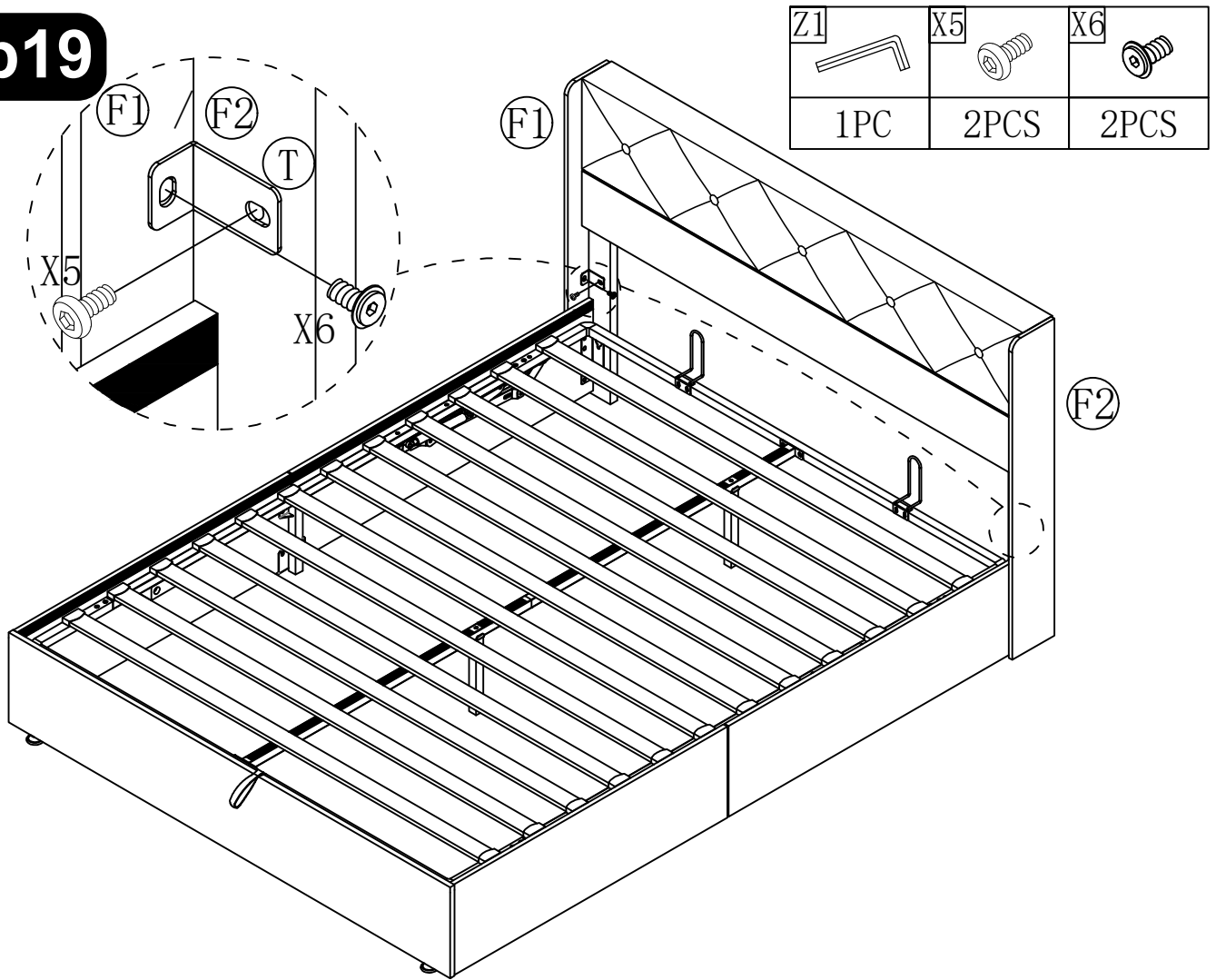
NOTE: You can pull strap (W) to raise the hydraulic rods after placing the mattress.

Step 18

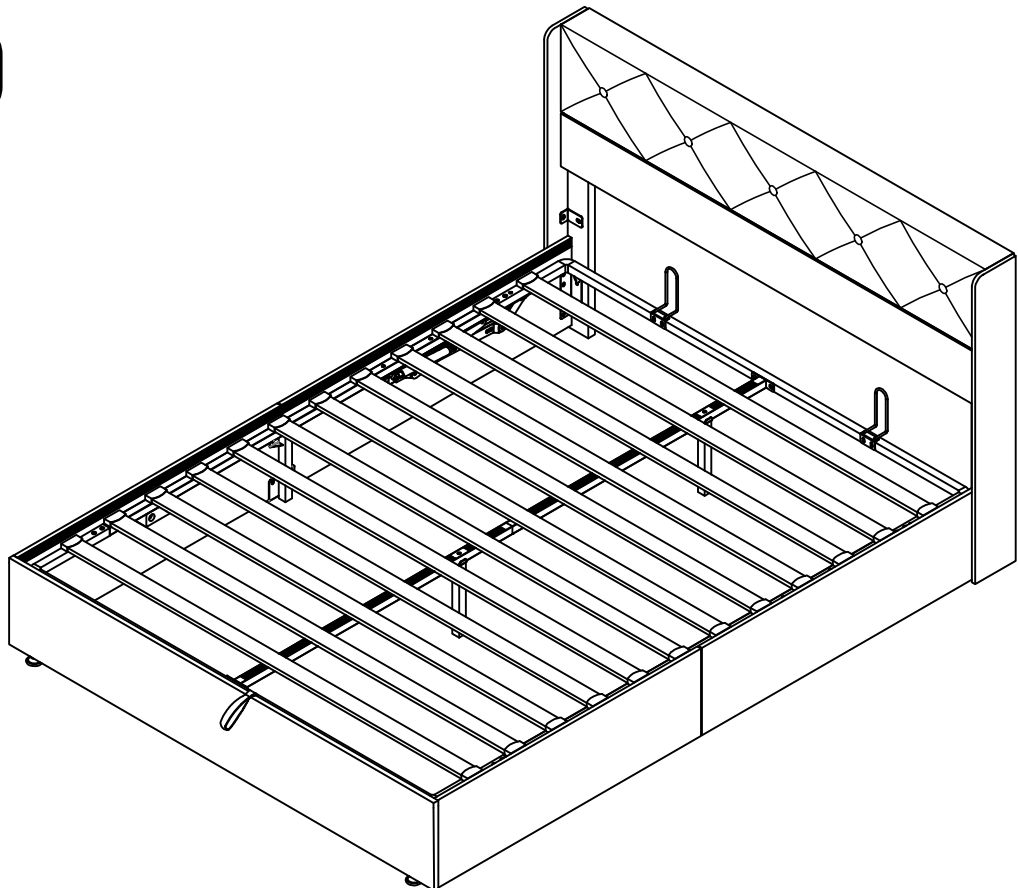


Firmly press the bed slat platform down until it is flat (be careful not to pinch your fingers), then install F1 and F2 on both sides of the headboard.

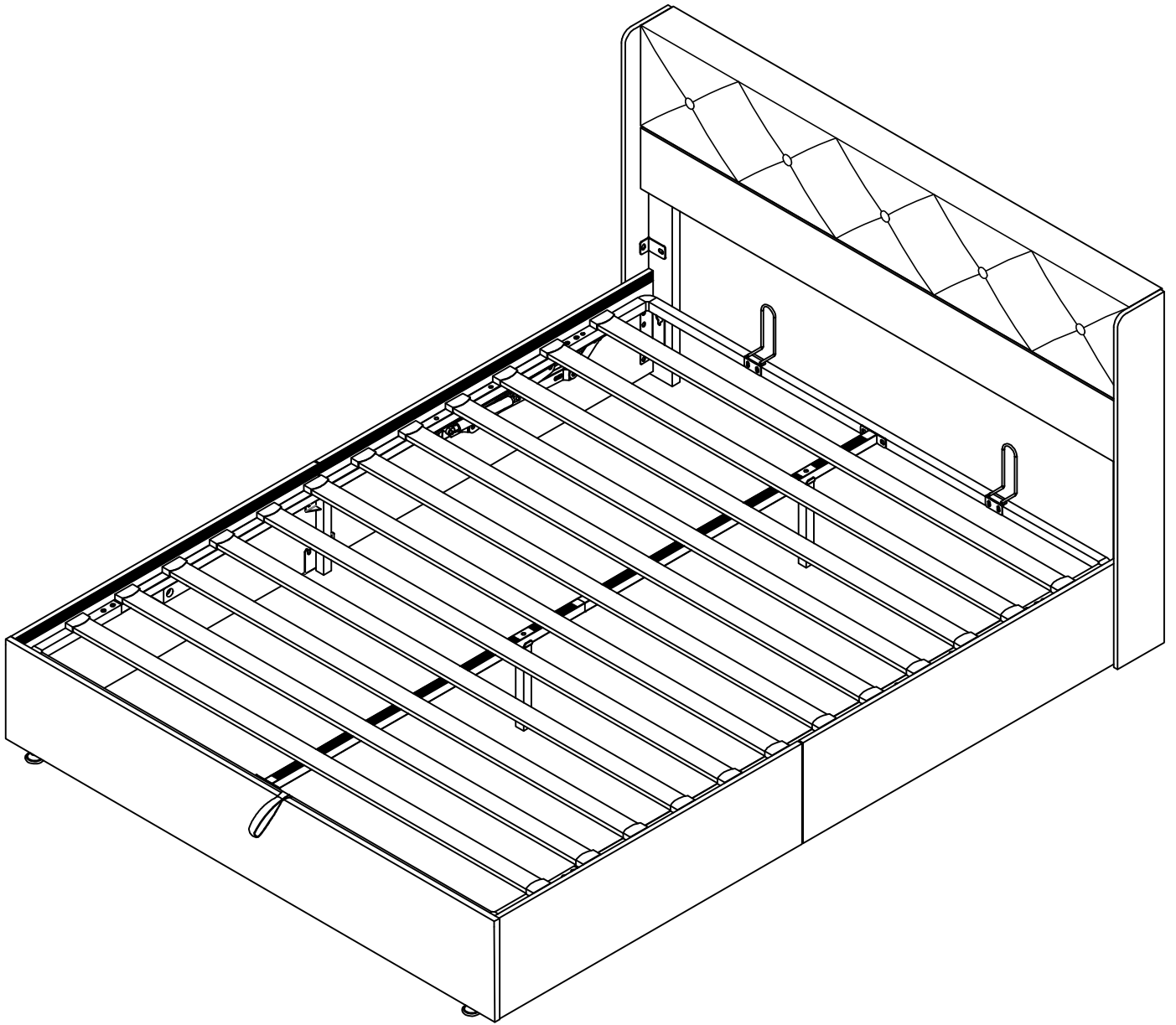
Step19



Step20



Installation complete! Please tighten all bolts by 100% .



Technical Support

(909)637-7665 | (909)637-7593

Other Info

HJ-Customer-Service@outlook.com

Thank you for choosing this product. We strive to provide you with the best quality products and services in the industry. Should you have any issues, please don't hesitate to contact us.