



NGALA
TRADING

MAMBA MIRROR

Carefully crafted by Xavier Clarisse in Durban, South Africa, the Mamba Mirror showcases the artistry of genuine, locally-sourced black tanned leather. Its distinctive leather scales are meticulously pressed using traditional techniques, creating a bold yet timeless texture. The Mamba Mirror adds a sophisticated, sculptural element to any space — a seamless blend of contemporary craftsmanship and classic design.

MATERIALS AND CONSTRUCTION

Hand embossed leather
Polished stainless steel or brass
Mirror

DIMENSIONS

48" Dia.

REFLECTION AREA

28" Dia.

WEIGHT

Approximately 50 LBS

MANUFACTURER





LEATHER COLORS



Black



Bone



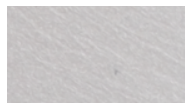
Grey



Pearl



Gold



Silver



Leaf

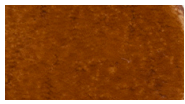


Teal

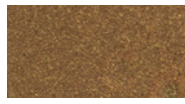
VINTAGE LEATHER COLORS



Pewter



Tan



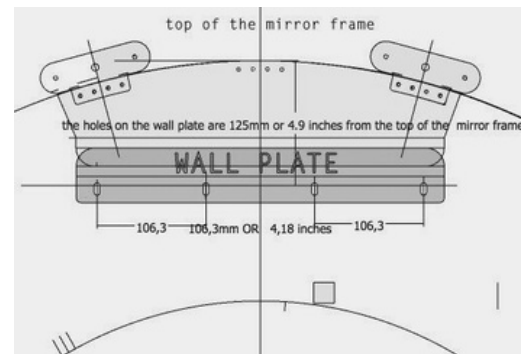
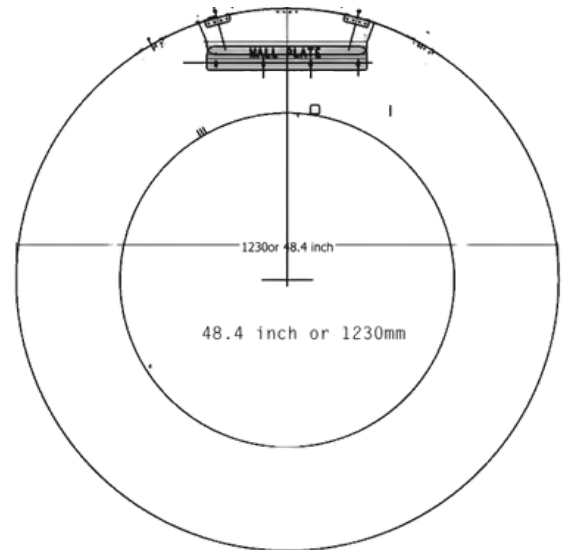
Bronze

Clarisse Design uses only full-grain, vegetable tanned leathers in the production of their handcrafted designs. This specific type of leather has been chosen for its physical attributes of thickness, durability and the ability to be shaped.

A full-grain piece of leather has the entire grain visible on one side. Except for the removal of the hair, the surface remains untouched. Natural imperfections like scars, blemishes, insect bites, branding and stretch marks may be present in this leather. These natural imperfections should not be regarded as defects and are a feature of this first-quality leather.

SPECS

48" DIA



SHIPPING AND DELIVERY

- Durably wrapped and boxed
- Back-order / Special-order items available for domestic shipping 12-14 weeks from receipt of deposit
- Ships via motor freight

INSTALLATION AND CARE

- Mirror includes cleat style hanging mechanism
- Leather is a natural product and is therefore susceptible to fading if exposed to direct sunlight or moisture.
- Refer to installation instructions for full details.