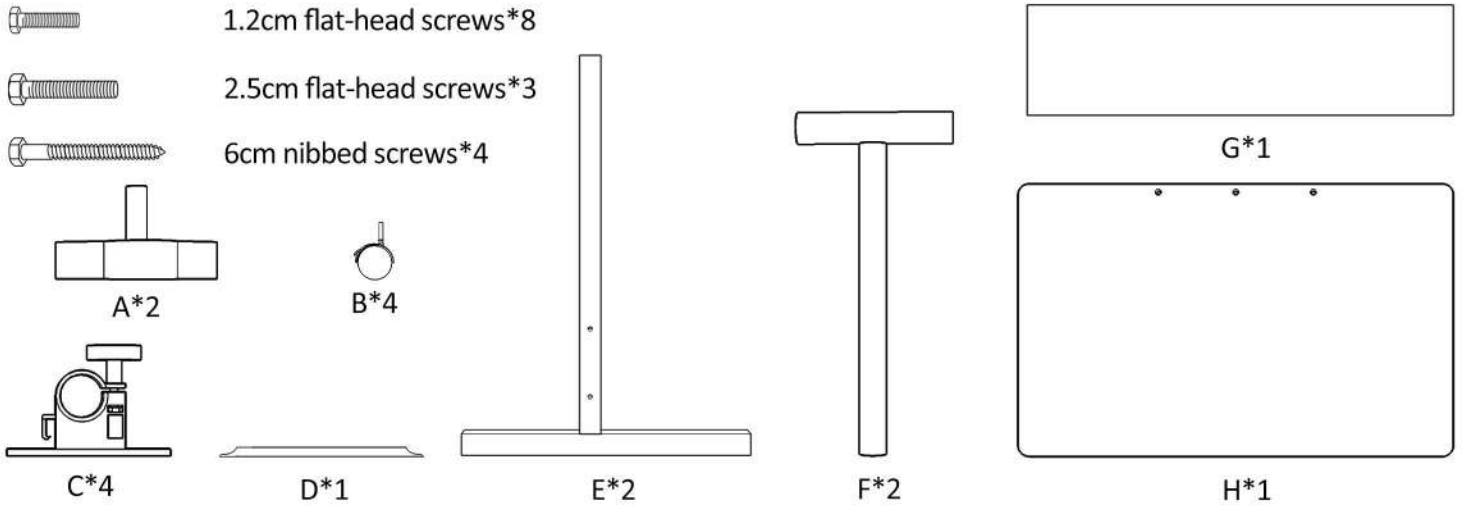


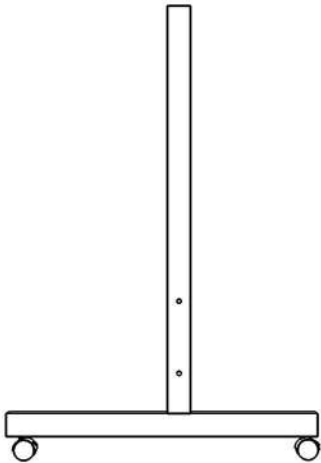
# Installation Manual

## Accessories



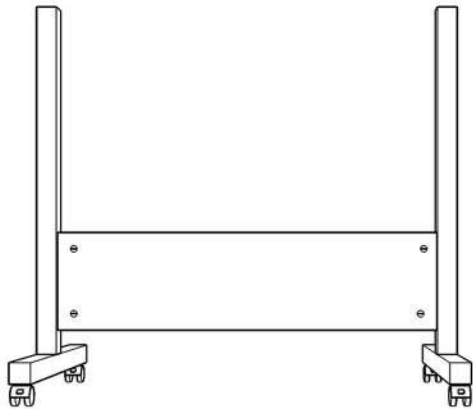
## Installation steps

1



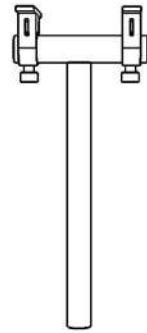
Install B on top of E

2



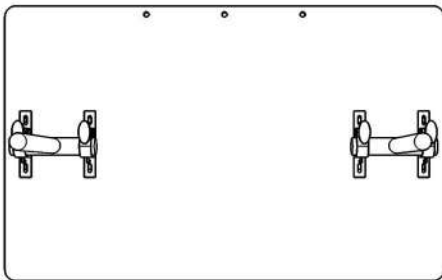
Using 4 pcs of 6cm nibbed screws to install the G

3



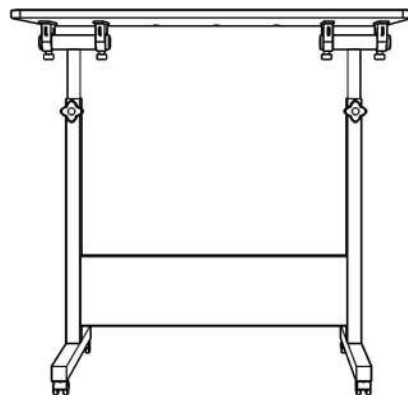
C is sleeved on both ends of F on the same side

4



Fix B to H with the smallest screw

5



Connect steps 2 and 4 with A

6



Fix D with 2.5cm flat-head screws

Ajust the plum shaped screws when you need to change the height of the desk