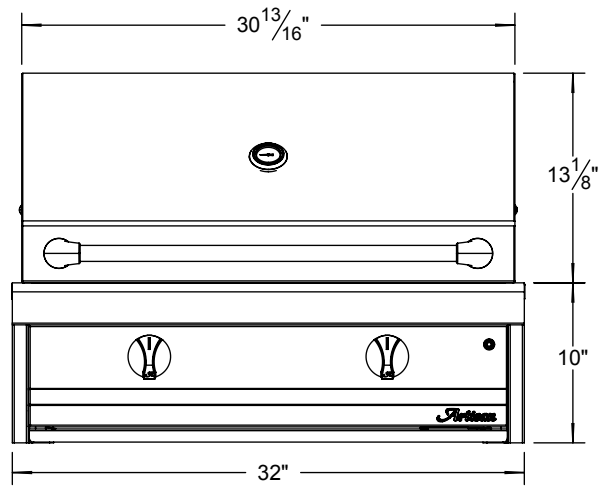
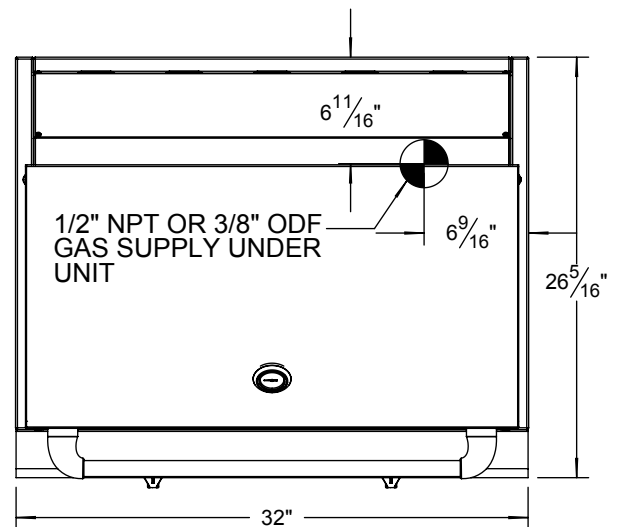
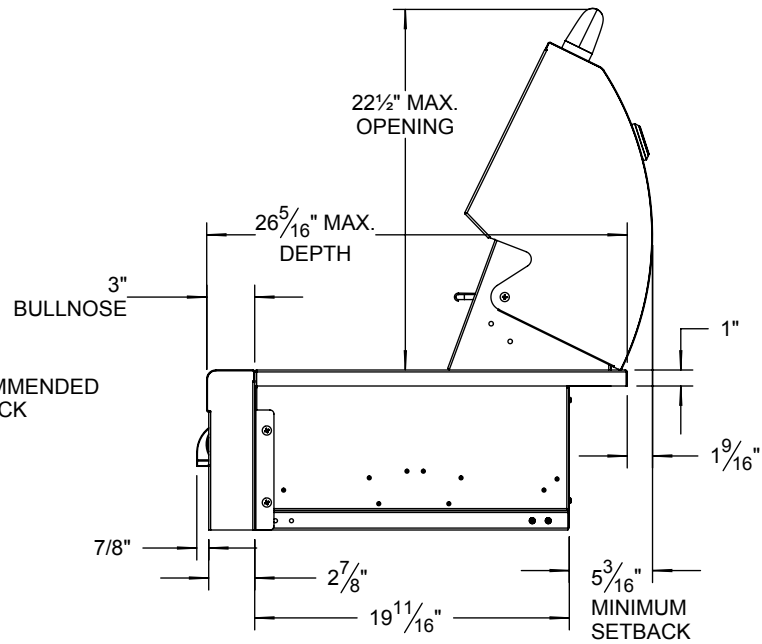
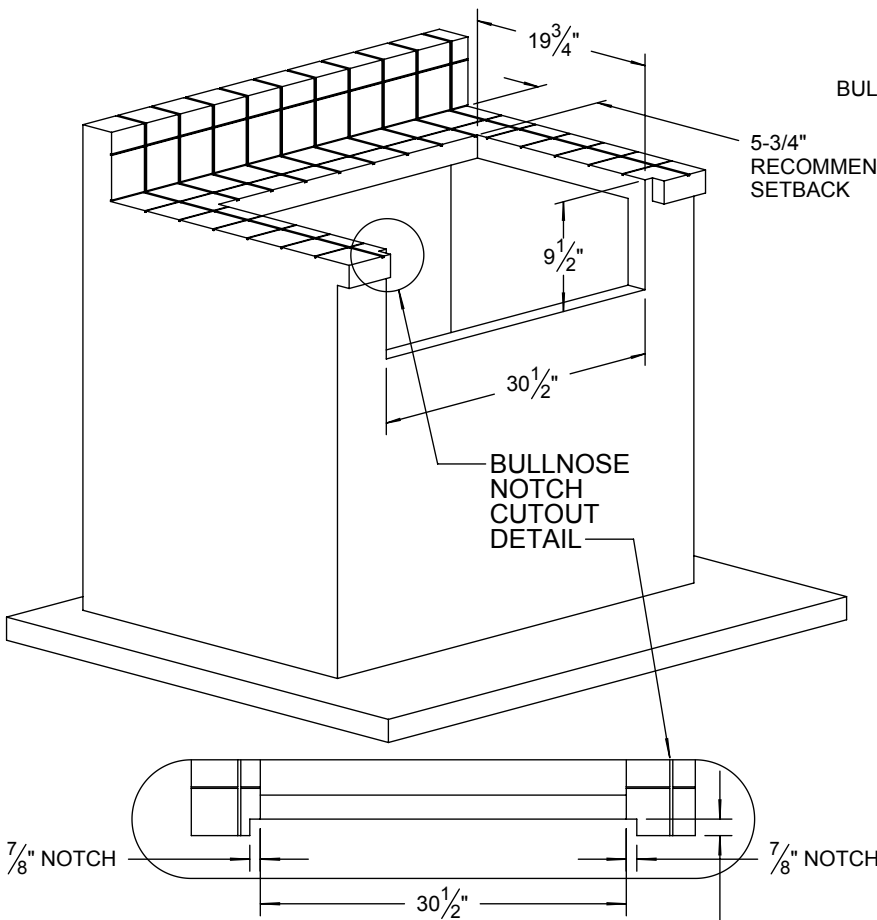


TYPICAL AAE-32 INSTALLATION



COUNTERTOP CUTOUT REQUIREMENTS



SPECIFICATIONS:

BTUH = 40,000
 FUEL NG @ 5 W.C. / LP @ 10" W.C.
 ELECTRICAL POWER: 9 VDC IGNITION SYSTEM.
 GAS CONNECTION: 1/2" NPT (NG) OR 3/8" ODF (LP)

NOTE:

COUNTER MUST HAVE THE PROPER GAS SUPPLY FOR YOUR ARTISAN BBQ.



THE INFORMATION CONTAINED IN THIS DRAWING IS THE SOLE PROPERTY OF SUPERIOR EQUIPMENT SOLUTIONS INC. ANY REPRODUCTION IN PART OR AS A WHOLE WITHOUT WRITTEN PERMISSION FROM SUPERIOR EQUIPMENT SOLUTIONS, INC. IS PROHIBITED.
DRAWN BY: ADRIAN CRISCI
CREATED: 03/18/2013 @ 2:41 PM

PROJECT TITLE:
ARTISAN GRILLS
DRAWING TITLE:
AAE-32 SPECIFICATIONS

DRAWING NO.:
AAE-32 SPEC SHEET
 SHEET 1 OF 1