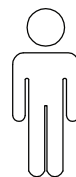
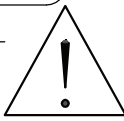
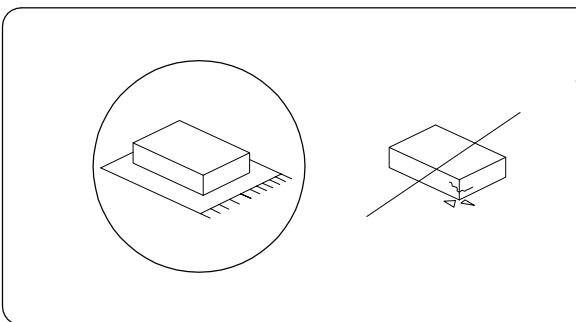
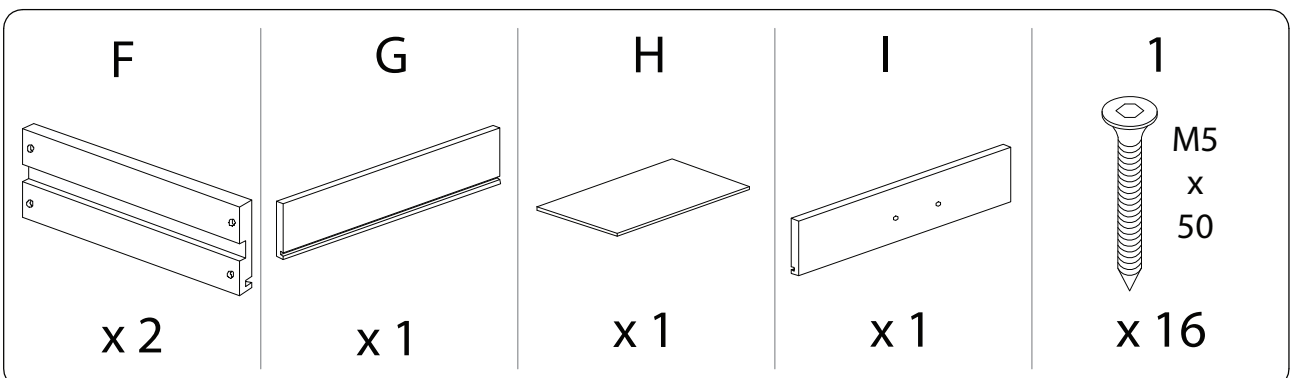
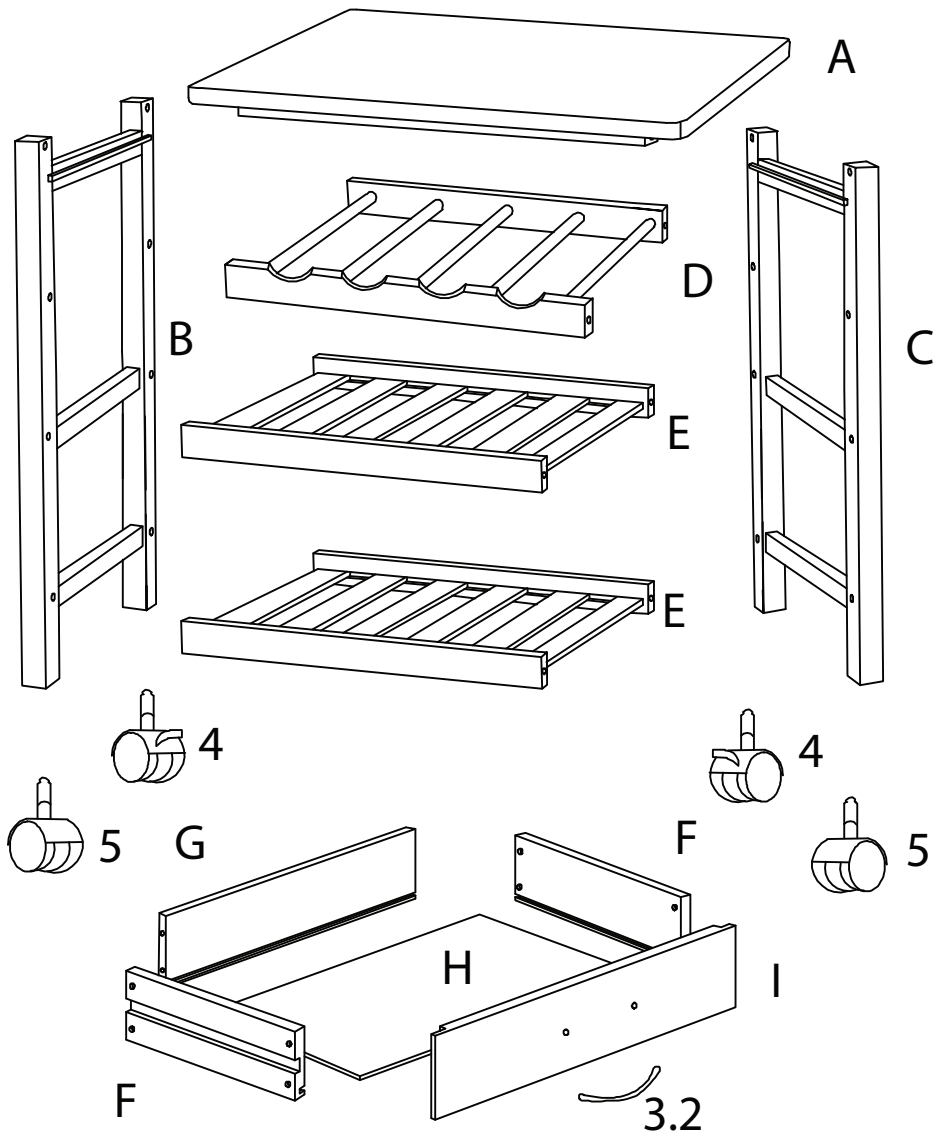
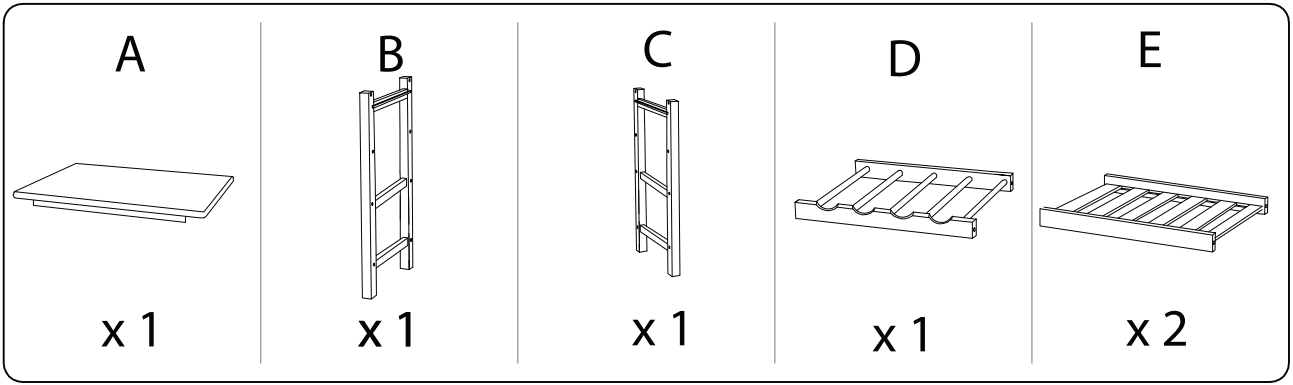


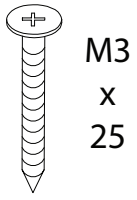
60'



2

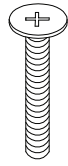


2



x 8

3.1



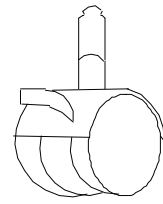
x 2

3.2



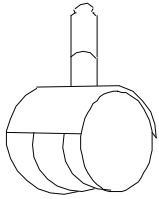
x 1

4



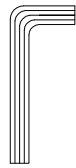
x 2

5



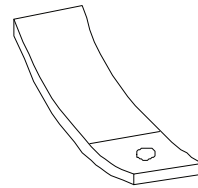
x 2

6



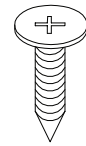
x 1

7.1



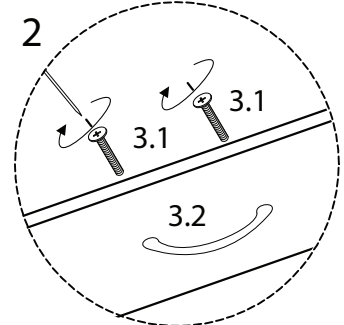
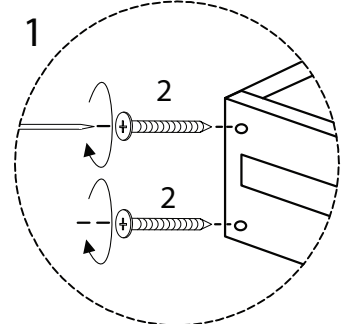
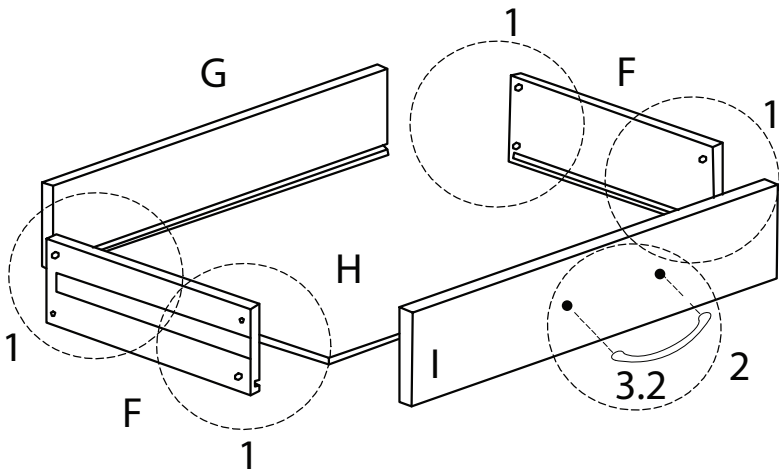
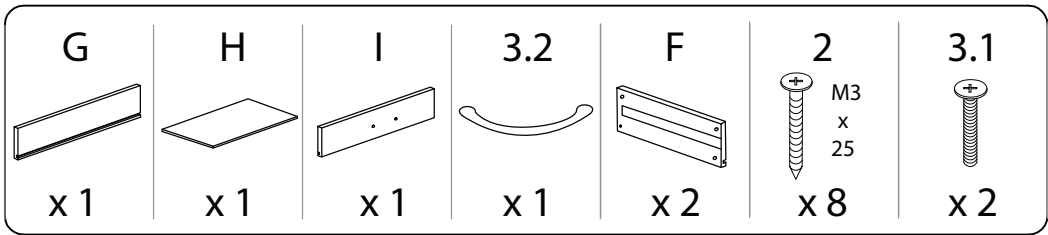
x 1

7.2

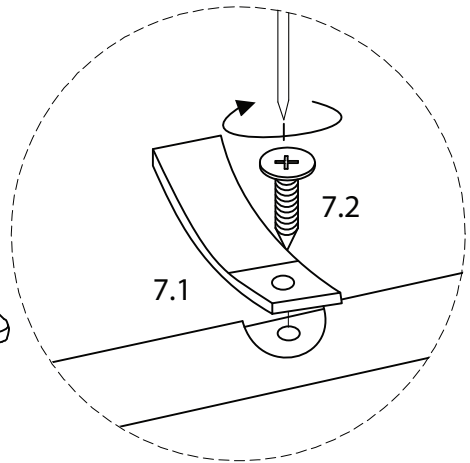
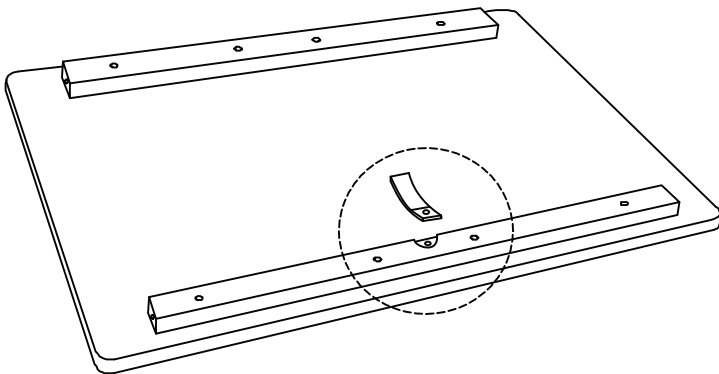
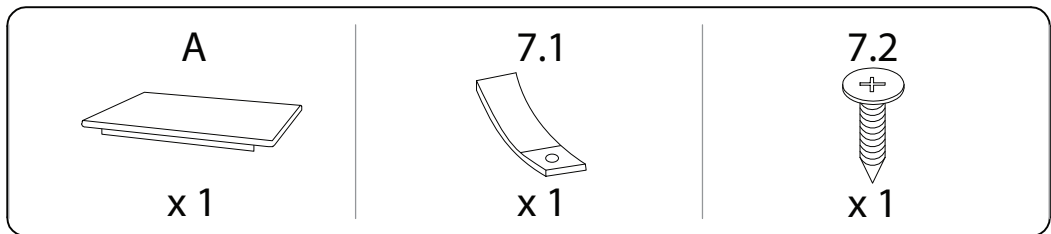


x 1

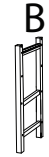
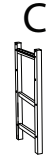

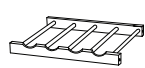
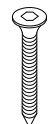

1

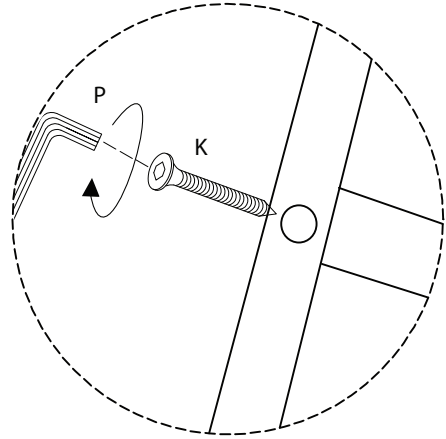
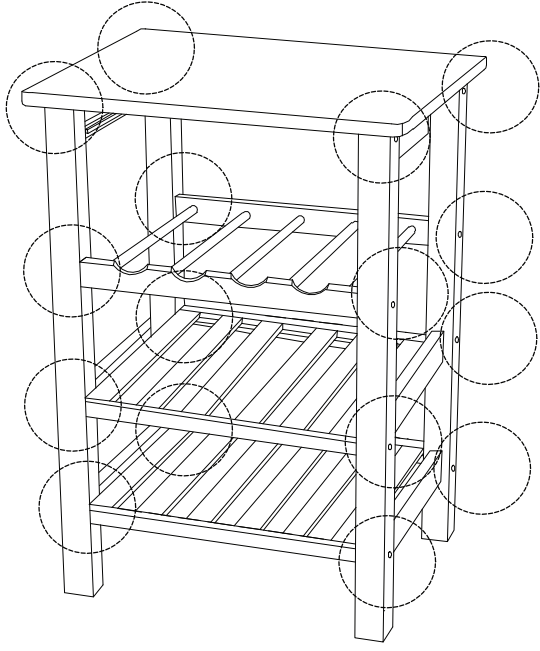


2

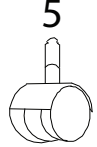
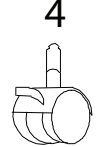


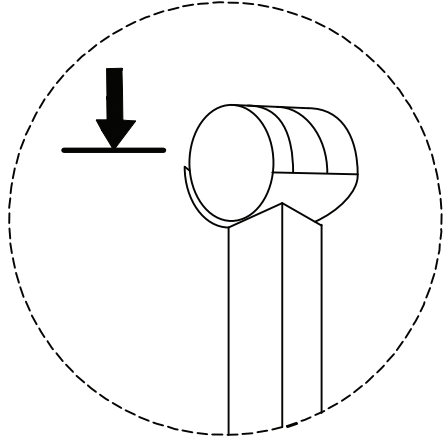
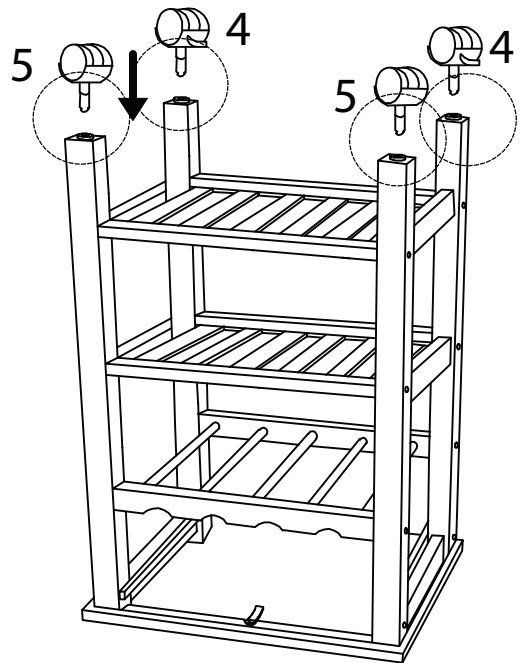
3

 B x1	 C x1	 E x2	 D x1	 1 M5 x 50 x 16	 6 x 1
--	--	--	---	--	---



4

 5 x 2	 4 x 2
---	---



6

