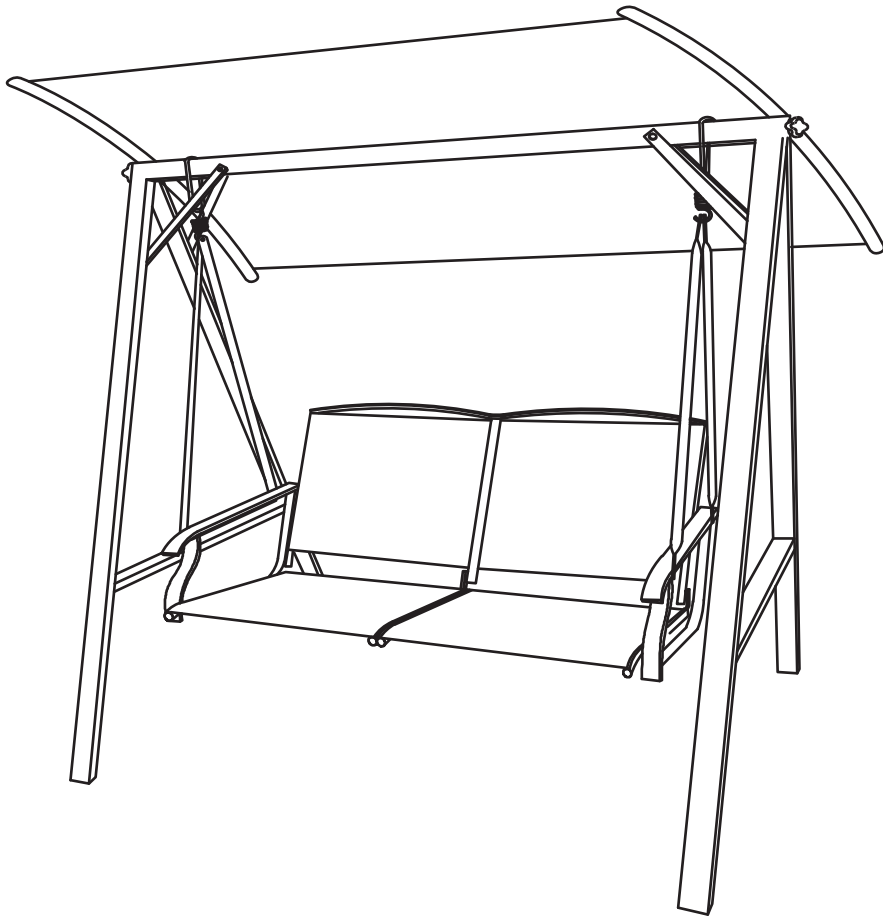
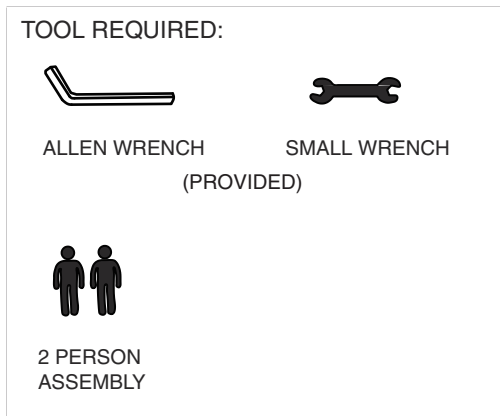


ASSEMBLY MANUAL



ASSEMBLY INSTRUCTIONS

- Prior to assembly, make sure you lay out and identify all parts listed in the parts list below.
- Tighten all nuts and bolts securely. All bolts should be hand tightened before use. Never use power tools or excessive force during assembly and tightening of bolts.

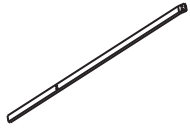


Warning:

1. Do not kneel or stand on swing chair.
2. Do not exceed 450lb weight limit.
3. Make sure swing chair is placed on a solid, level surface.

PART LIST

LEG TUBE



AX4

CROSS BAR



BX2

TOP BAR



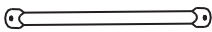
CX1

ARMREST



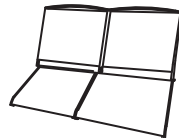
DX2

HANGING TUBE



EX4

SEAT



FX1

SIDE BRACE



GX4

SPRING HOOK



HX2

CANOPY



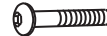
IX1

BOLT (M6*35)



JX16

BOLT (M6*40)



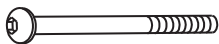
KX2

BOLT (M6*45)



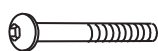
LX2

BOLT (M6*82)



MX4

BOLT (M6*55)



NX4

ROOF SCREW



OX2

NUT



PX14

WASHER



QX28

NUT CAP



RX14

SPACER



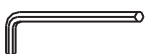
SX2

BOLT CAP



TX28

ALLEN KEY



UX1

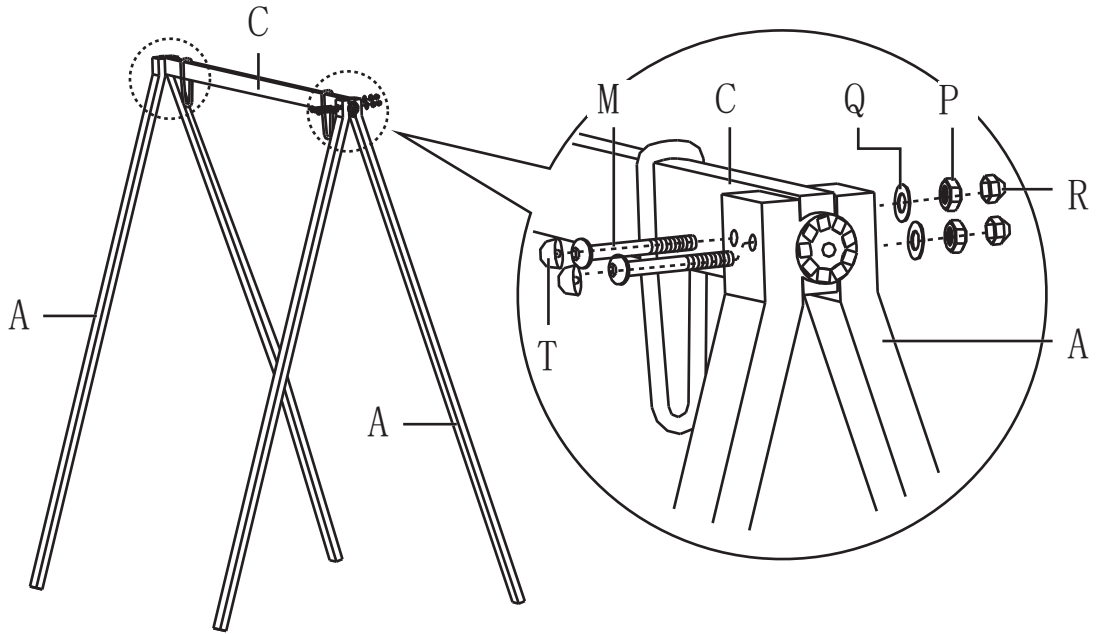
WRENCH



VX1

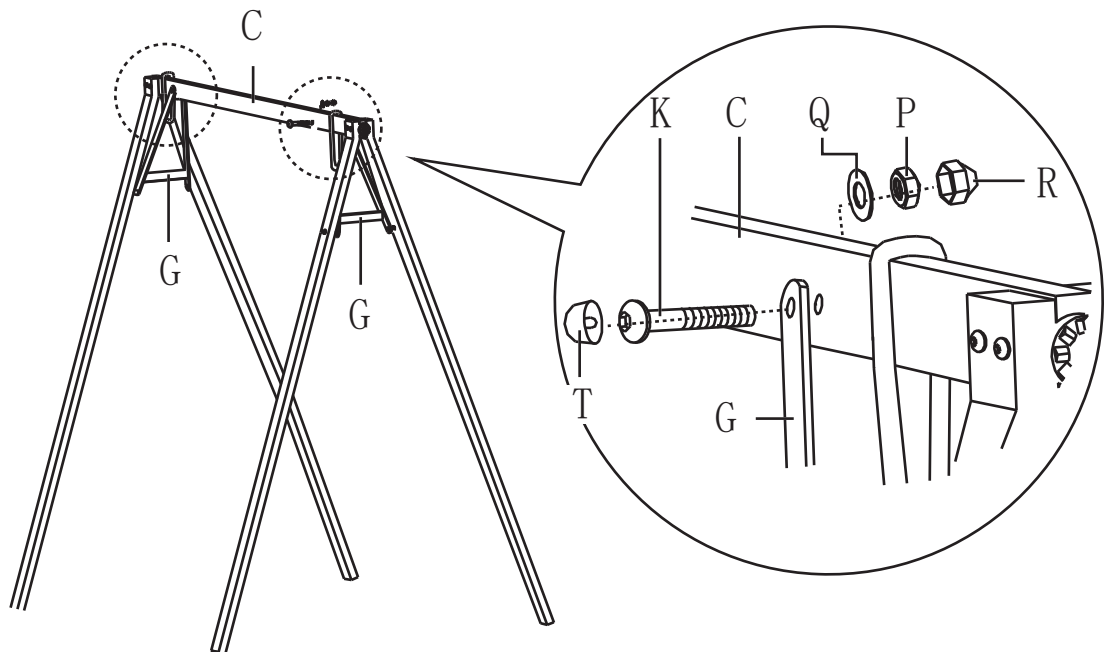
STEP -1

Align the two holes at one end of the Top Bar (C) with the two holes at the top of the Leg Tube (A) and the two holes at the top of the Leg Tube (A) on the other side. Insert the Bolt (M) through the Leg Tube (A), Top Bar (C), Leg Tube (A) and into Washer (Q) and Nut (P) for each hole. Repeat this step on the other side of the frame as shown in diagram.



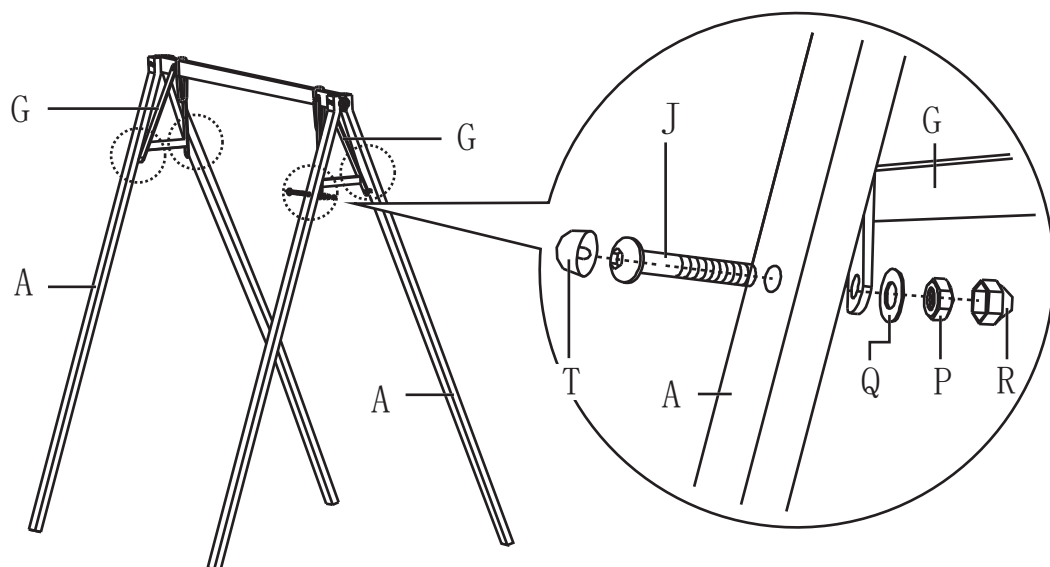
STEP -2

Connect Side Brace (G) to Top Bar (C) using Bolt (K), Washer (Q) and Nut (P). Repeat this step on the other side of the frame as shown in diagram.



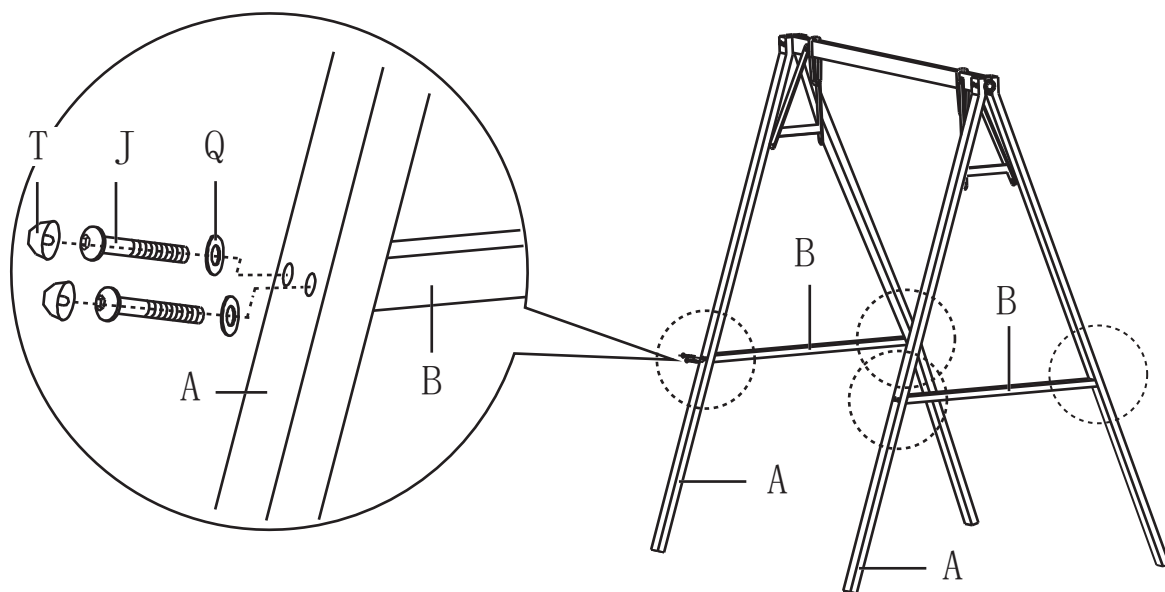
STEP -3

Connect Side Brace (G) to Leg Tube (A) using Bolt (J), Washer (Q) and Nut (P). Repeat this step on the other side of the frame as shown in diagram.



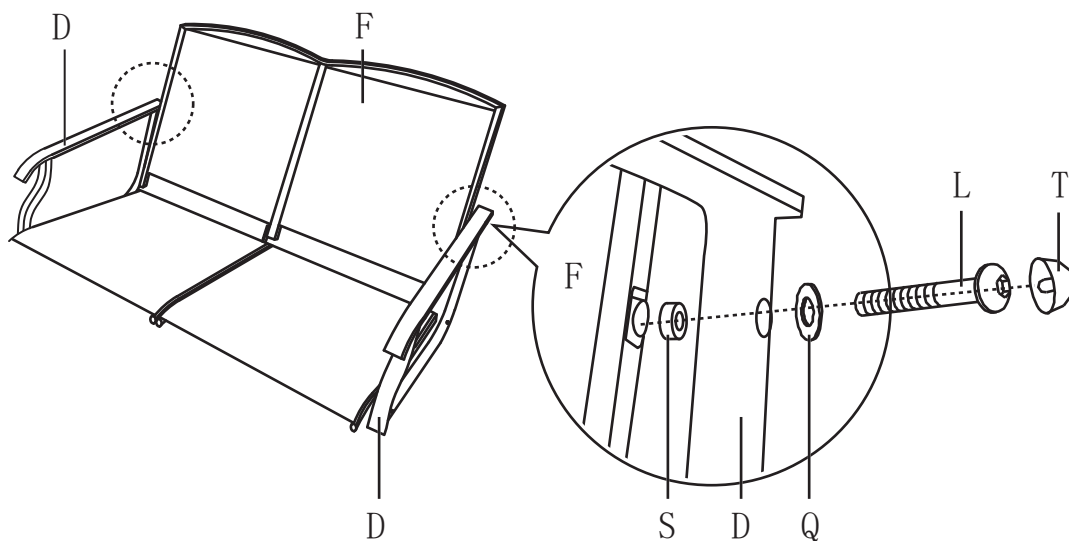
STEP -4

Adjust the angle of two legs. Place a Cross Bar (B) between the two leg tubes on one end of the frame, lining up the bolt holes. For each hole in the front and back legs, insert Bolt (J) and Washer (Q) through the Leg Tube (A) and into the Cross Bar (B). Repeat this step for the Cross Bar (B) between the other Leg Tubes (A) as shown in diagram.



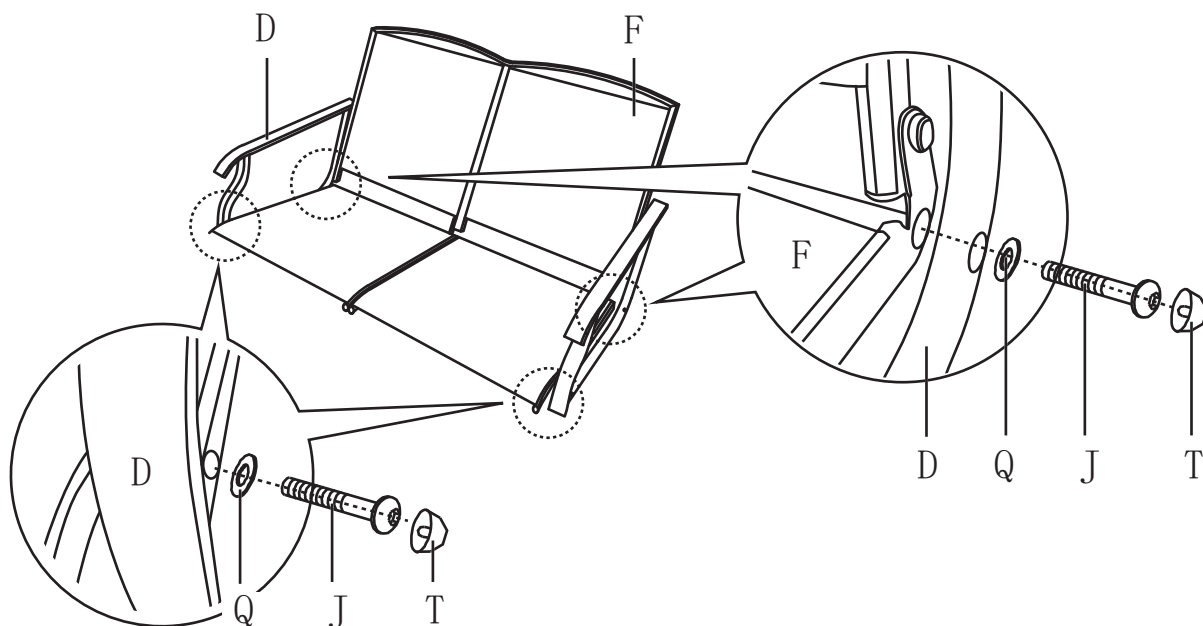
STEP -5

Align the holes on the Armrest (D) with the holes on the side of the Seat (F). Insert Bolt (L) from outside through the hole on the Armrest (D), Washer (Q), Spacer (S) and the hole on the side of the Seat (F). Repeat this step on the other side as shown in diagram.



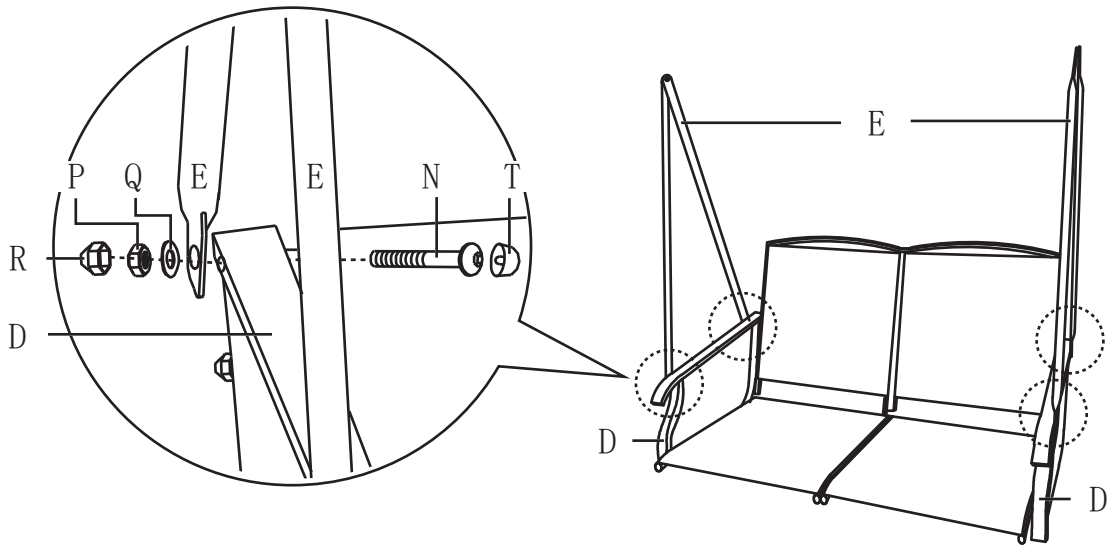
STEP -6

Align the holes on the Armrest (D) with the holes on the side of the Seat (F). For each hole, insert Bolt (J) from outside through the hole on the Armrest (D), Washer (Q) and the hole on the side of the Seat (F). Repeat this step on the other side as shown in diagram.



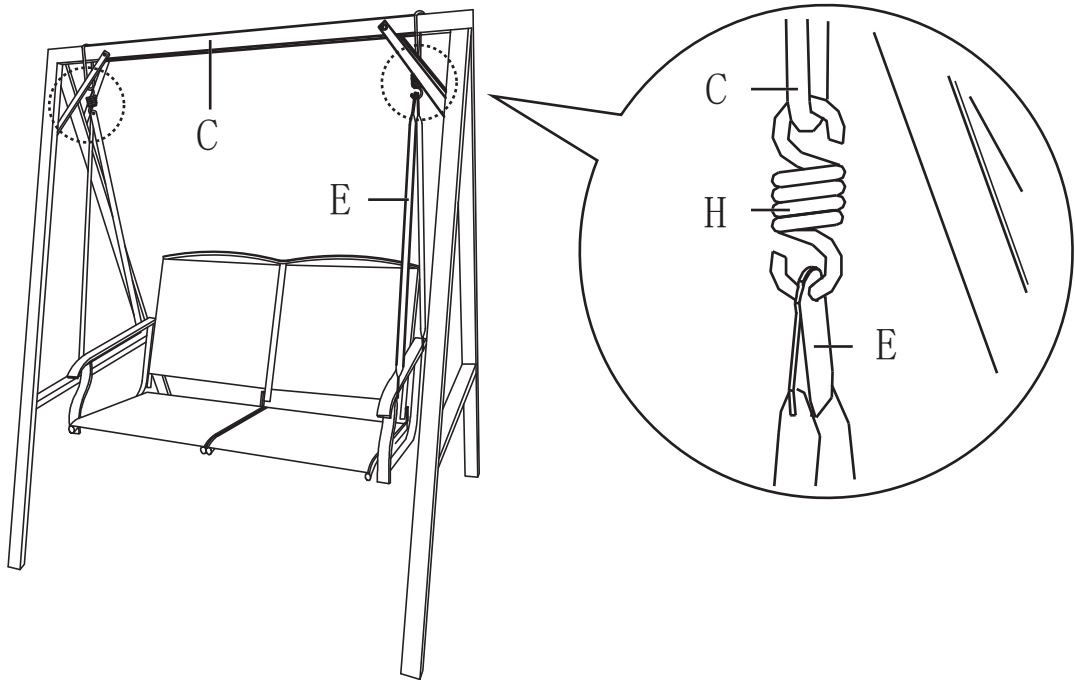
STEP -7

Attach the Hanging Tube (E) to the Armrest (D) with Bolt (N), Washer(Q) and Nut (P). Repeat this step at each connection as shown in diagram.



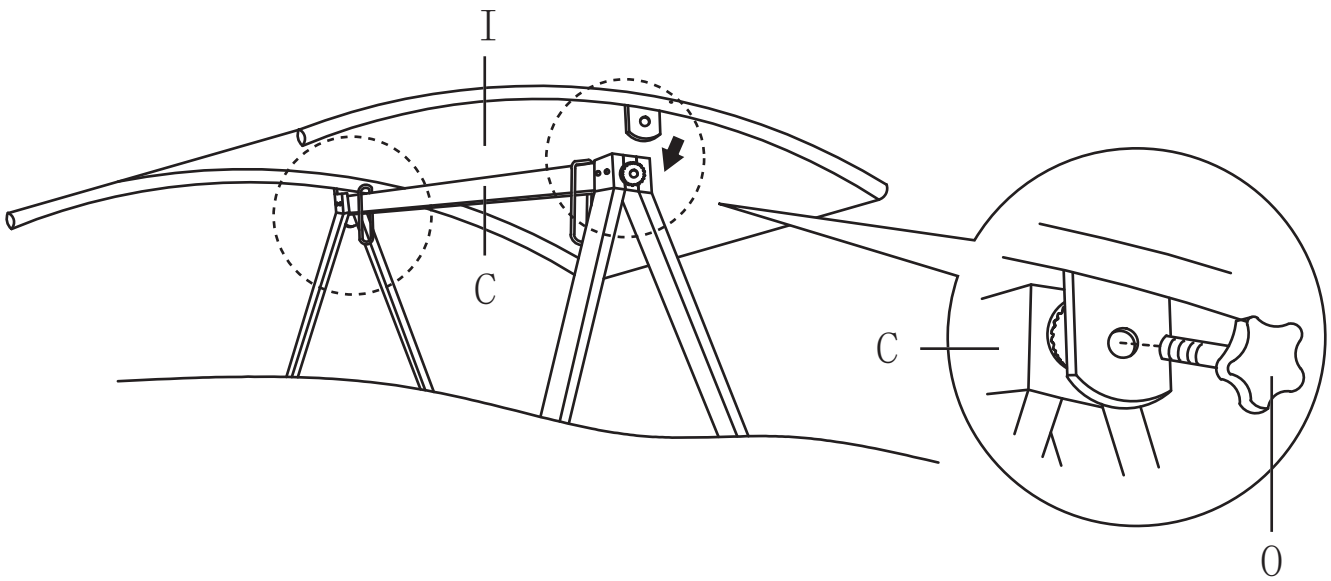
STEP -8

Attach the Spring Hook (H) to the end of Hanging Tube (E) and attach the Spring Hook (H) to the leg structure previously assembled in step 4.



STEP -9

Attach the Canopy (I) to the Top Bar (C) with the Roof Screw (O) as shown in diagram. The assembly of the product is now complete.



STEP -10

Securely tighten all bolts and cover all Nut Caps (R) and Bolt Caps (T) before use on level, solid ground.

