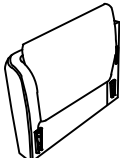
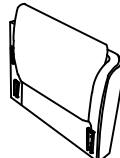
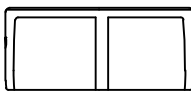
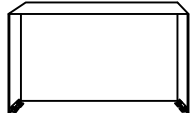
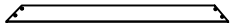


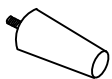
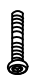




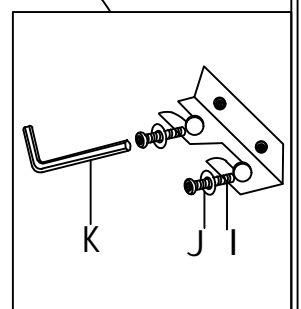
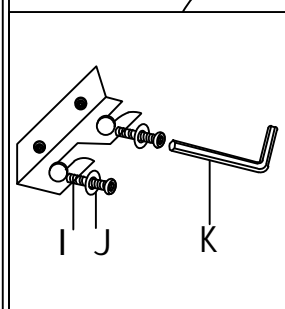
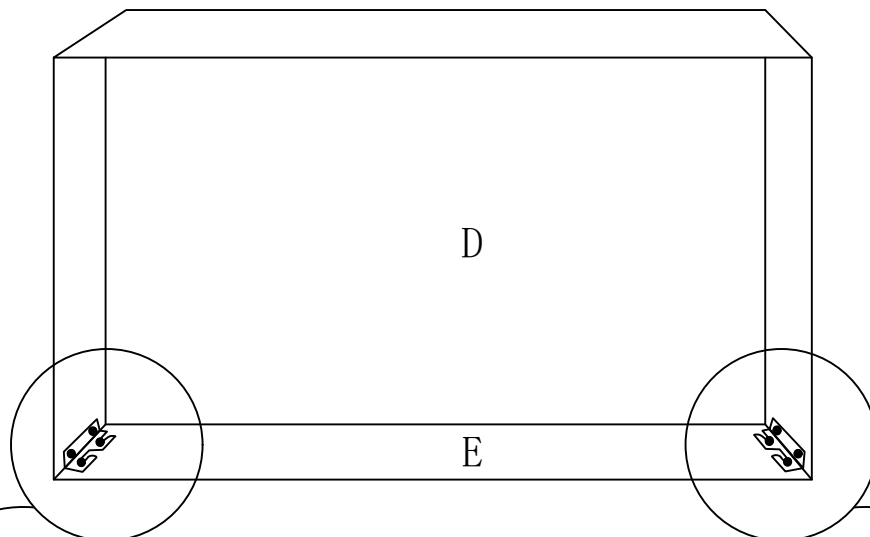
Installation & Assembly

Accessories list(sitting sofa)

<p>A</p>  <p>Right armrest (1)</p>	<p>B</p>  <p>Left armrest (1)</p>	<p>C</p>  <p>Backrest (1)</p>	<p>D</p>  <p>Seat frame (1)</p>	<p>E</p>  <p>Seat frame side panel (1)</p>	
<p>F</p>  <p>Seat cushion (2)</p>	<p>G</p>  <p>Back Cushion (2)</p>	<p>H</p>  <p>12cm Sofa feet (4)</p>	<p>I</p>  <p>16mm Screw (4)</p>	<p>J</p>  <p>6*16 Gasket (4)</p>	<p>K</p>  <p>M4*65*23 Wrench (1)</p>

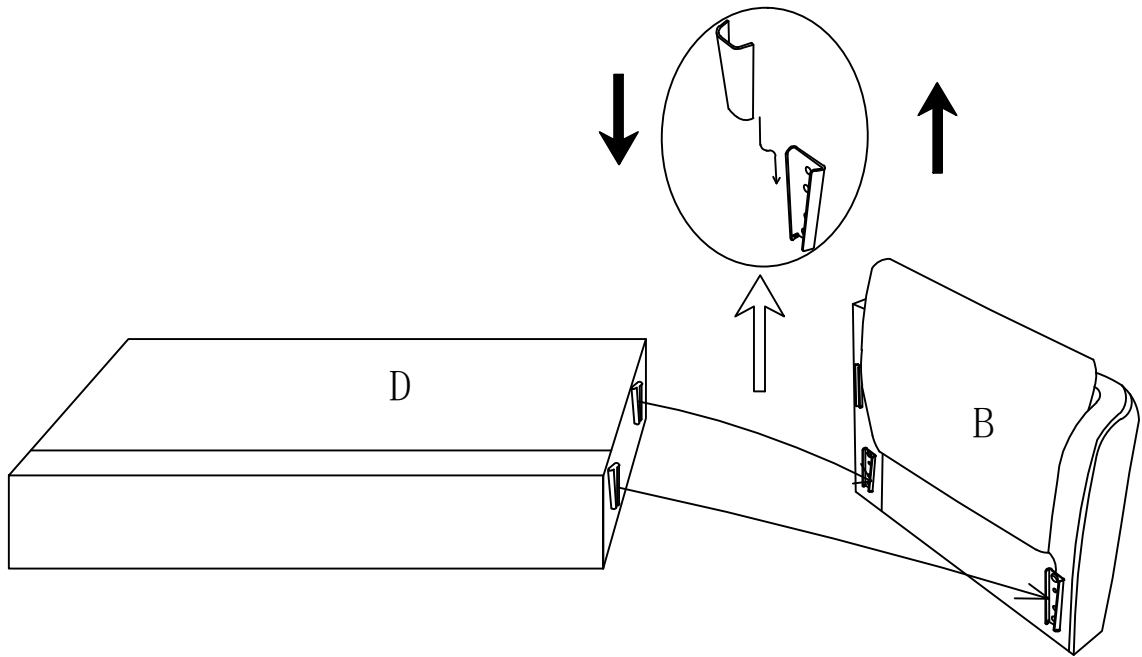
STEP 1:

Install hardware for sofa seat frame



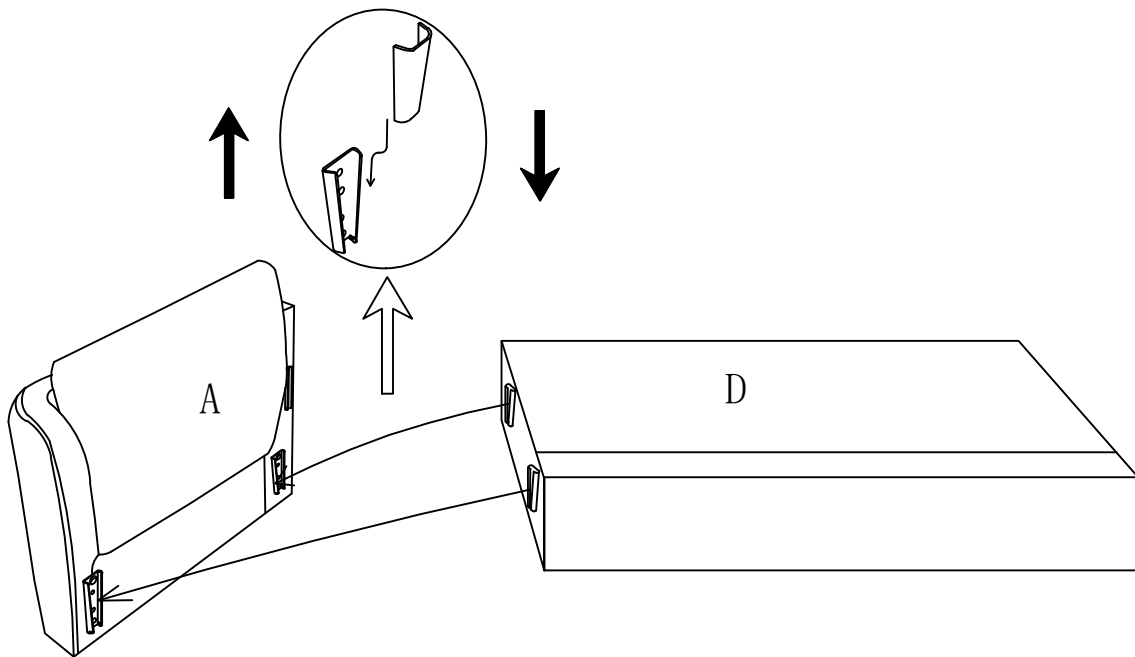
STEP 2:

Insert the seat frame into the left armrest



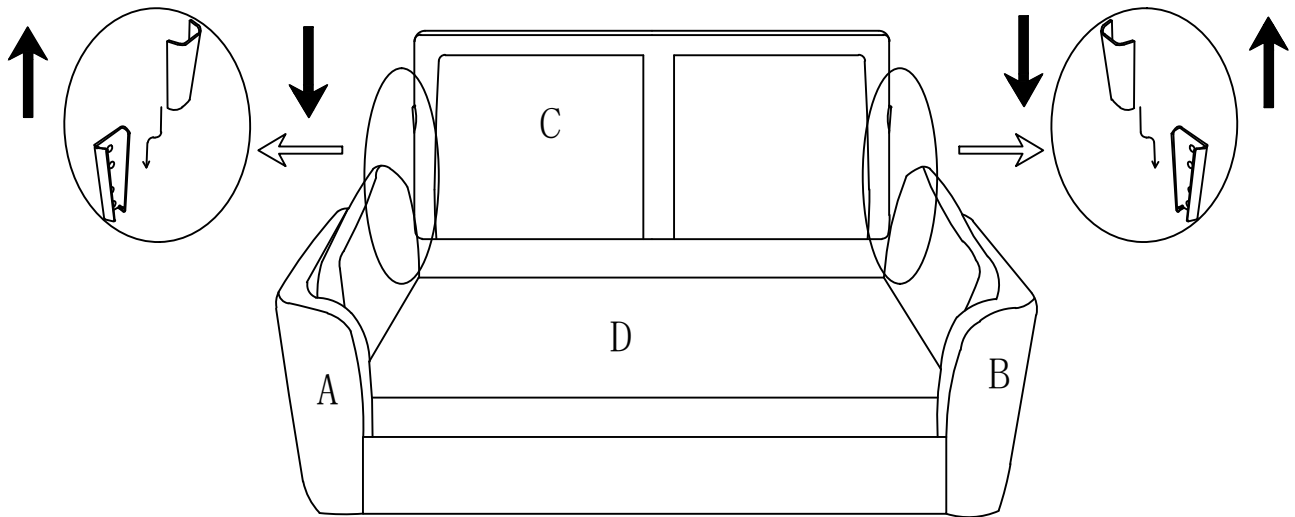
STEP 3:

Insert the seat frame into the right armrest



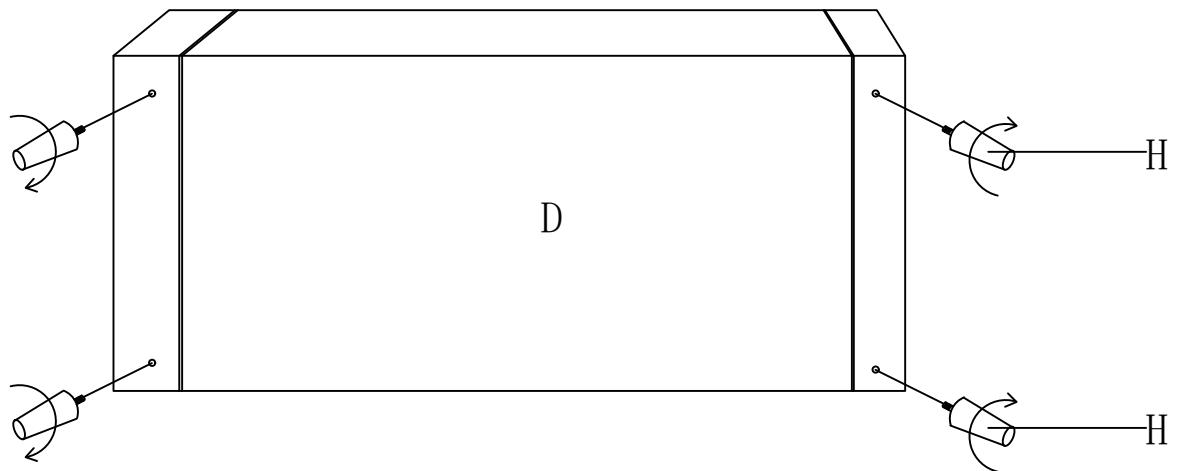
STEP 4:

Insert the backrest into the seat frame



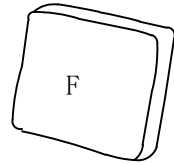
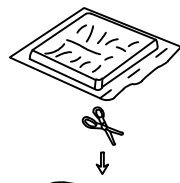
STEP 5 :

Install the sofa feet

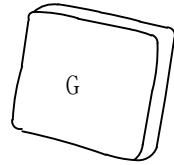
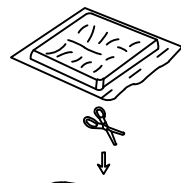
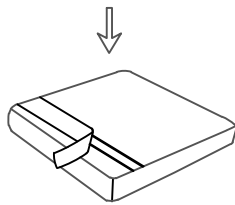


STEP 6:

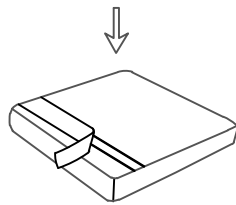
Cut the compression bag



Seat cushion*2

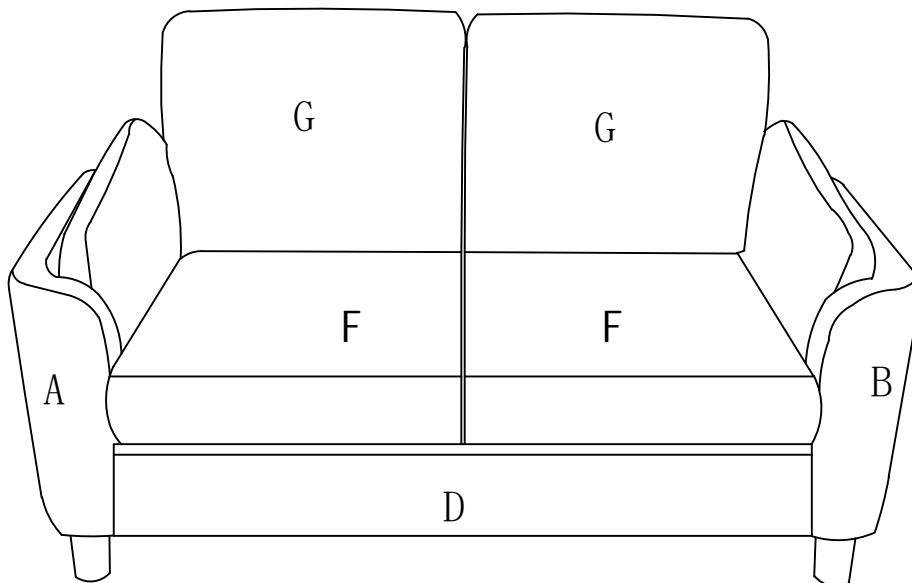


Back Cushion*2

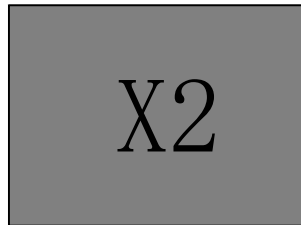
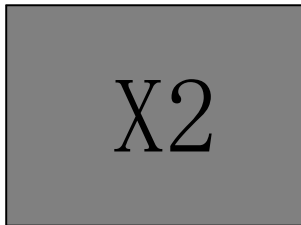
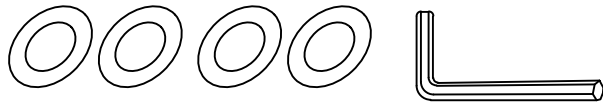
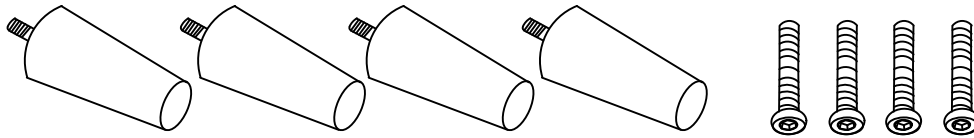


STEP 7 :

Assembly completed

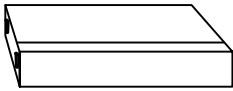
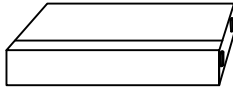
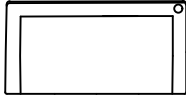
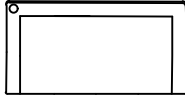
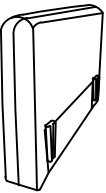
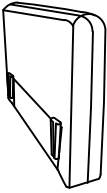

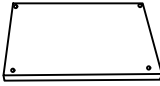
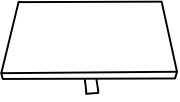
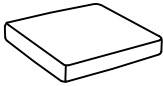
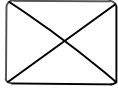
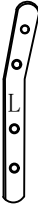

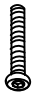


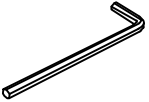

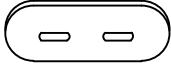


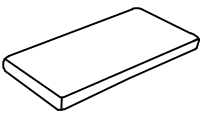





Sofa feet and hardware are placed
in the sofa seat frame



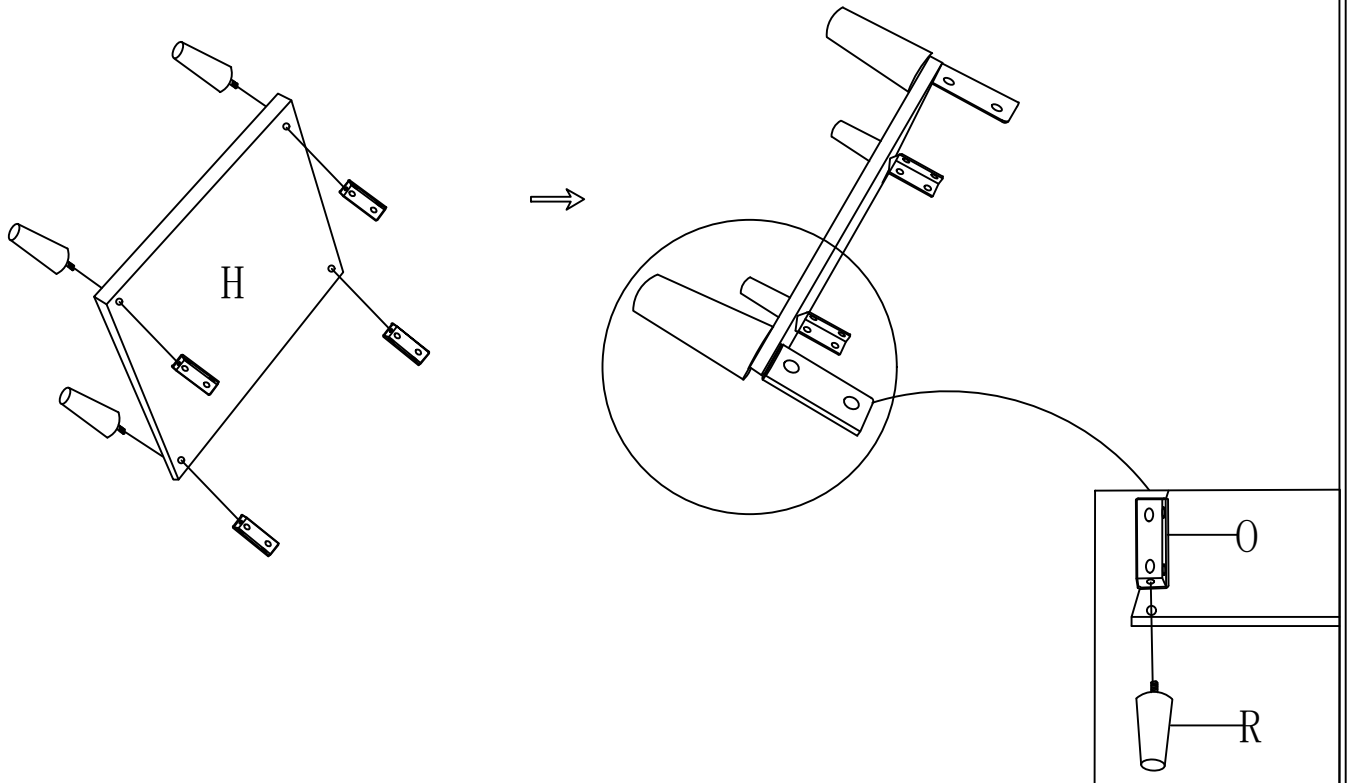
Installation & Assembly

Accessories list(sitting sofa)

<p>A</p>  <p>Right seat frame(1)</p>	<p>B</p>  <p>Left seat frame(1)</p>	<p>C</p>  <p>Right backrest(1)</p>	<p>D</p>  <p>Left backrest(1)</p>	
<p>E</p>  <p>Right armrest(1)</p>	<p>F</p>  <p>Left armrest(1)</p>	<p>G</p>  <p>Ottoman side panel (4)</p>	<p>H</p>  <p>Ottoman base plate(1)</p>	
<p>I</p>  <p>Ottoman panel (1)</p>	<p>J</p>  <p>Seat cushion(2)</p>	<p>K</p>  <p>Back cushion(3)</p>	<p>L</p>  <p>Left bracket (2)</p>	
<p>M</p>  <p>Right bracket (2)</p>	<p>N</p>  <p>6*16 Screw(32)</p>	<p>O</p>  <p>Corner brace connector (4)</p>	<p>P</p>  <p>16mm Gasket (16)</p>	
<p>Q</p>  <p>M4*100*40 Wrench(1)</p>	<p>R</p>  <p>Sofa feet(10)</p>	<p>S</p>  <p>40x100x2 Metal plate(1)</p>	<p>T</p>  <p>6*25 Screw(2)</p>	
<p>U</p>  <p>15mm Gasket (2)</p>	<p>V</p>  <p>Double seat cushion(1)</p>	<p>W</p>  <p>Armrest soft bag(2)</p>	<p>X</p>  <p>M4*65*23 Wrench(1)</p>	 <p>Hop-pocket</p>

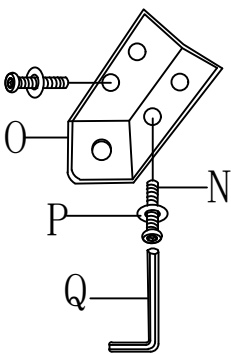
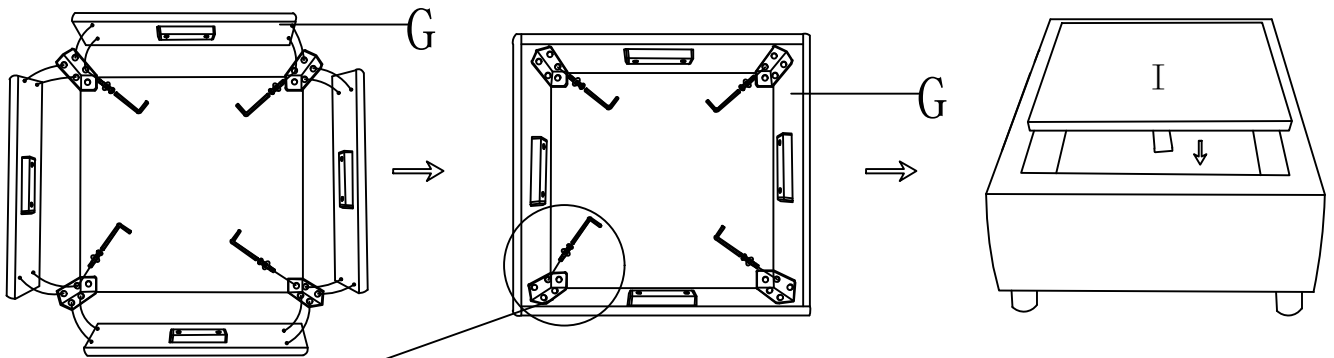
STEP 1:

Install sofa feet to the base plate of ottoman with hardware
Note: Hardware face the smooth surface of ottoman base.



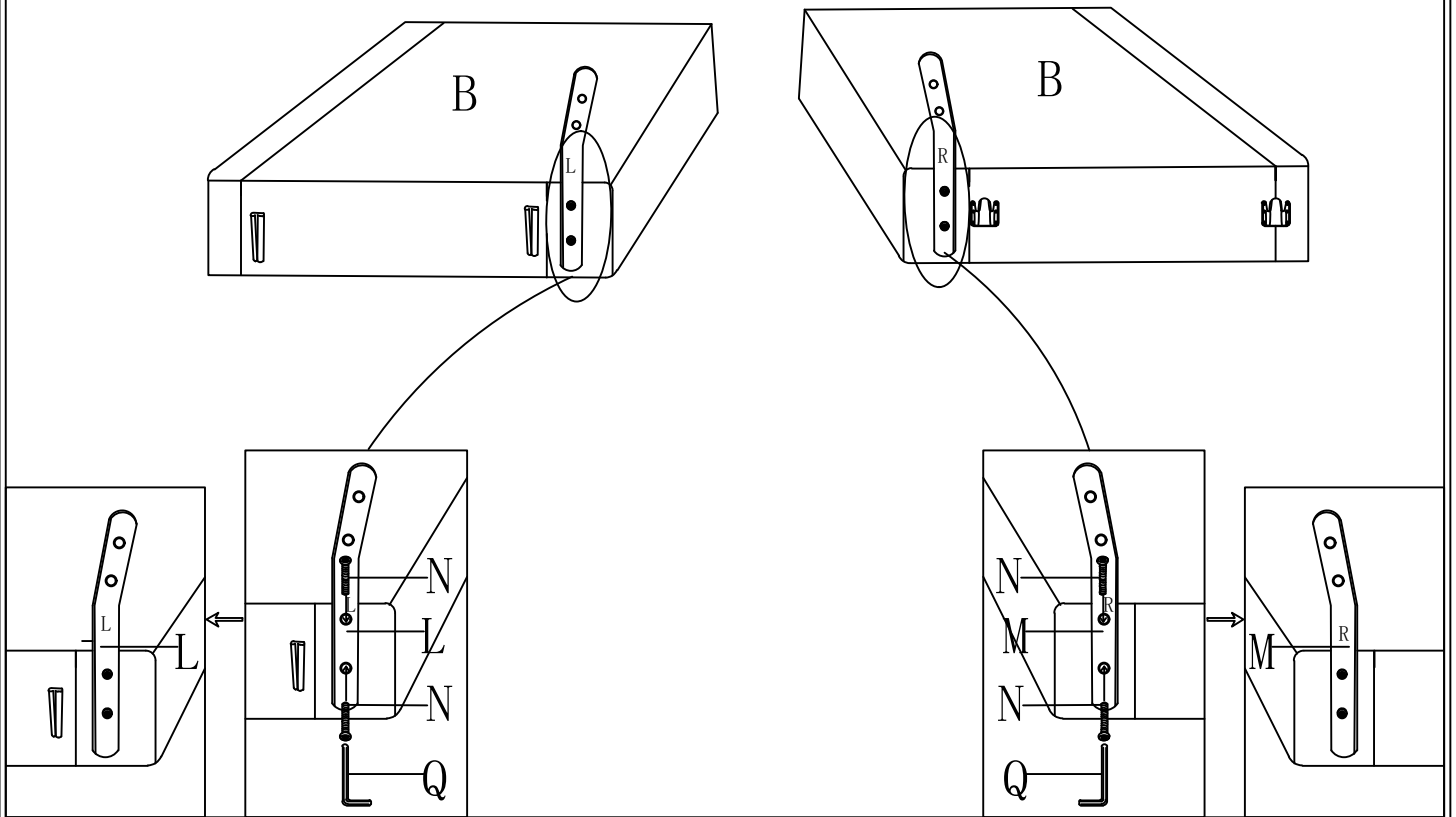
STEP 2:

Connect the side panels of ottoman to the base plates with conner brace connector. Note: please distinguish between top and bottom of the side panels



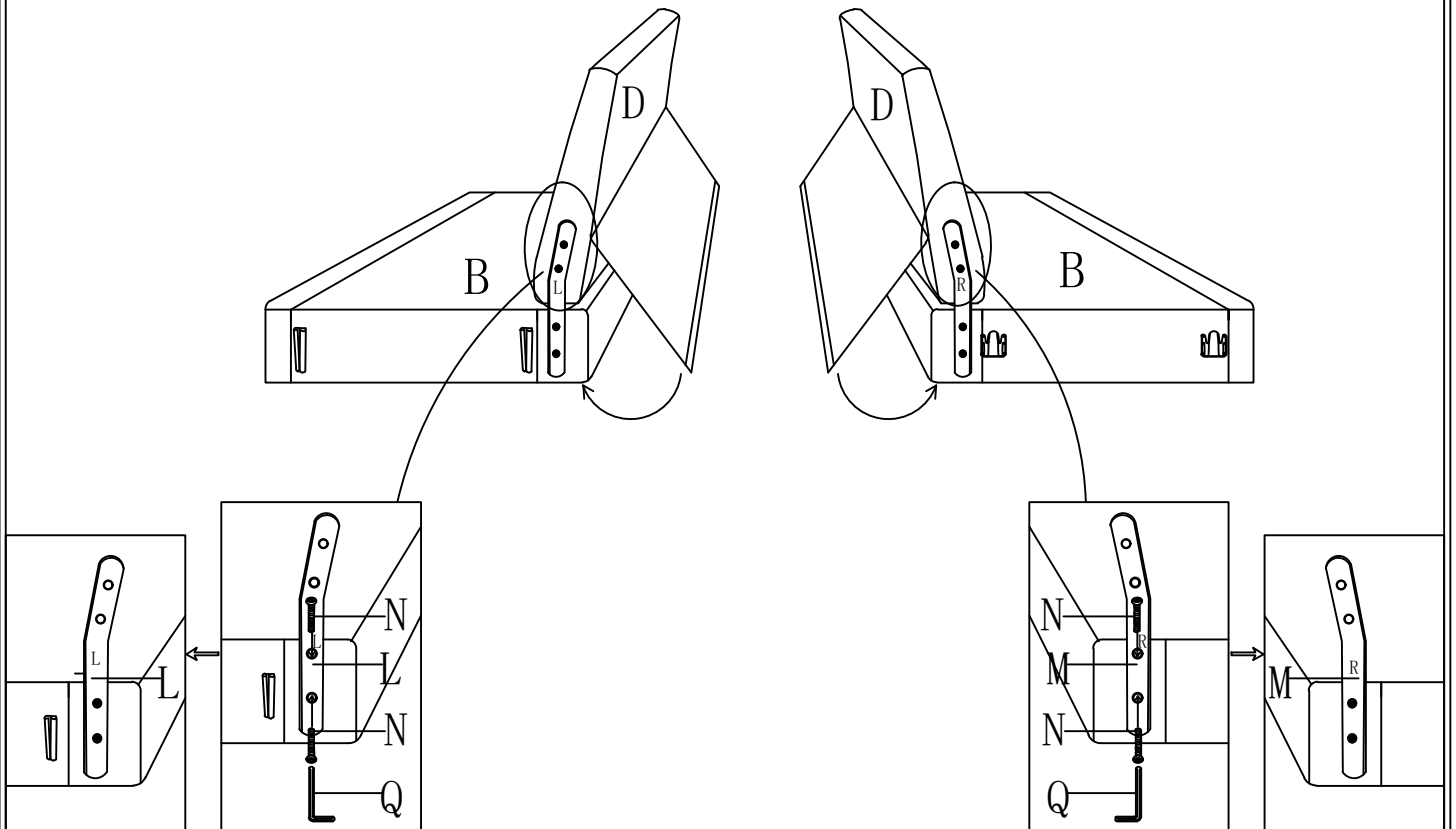
STEP 3:

Install backrest hardware accessories on both sides of the left seat frame of the sofa and distinguish the left and right



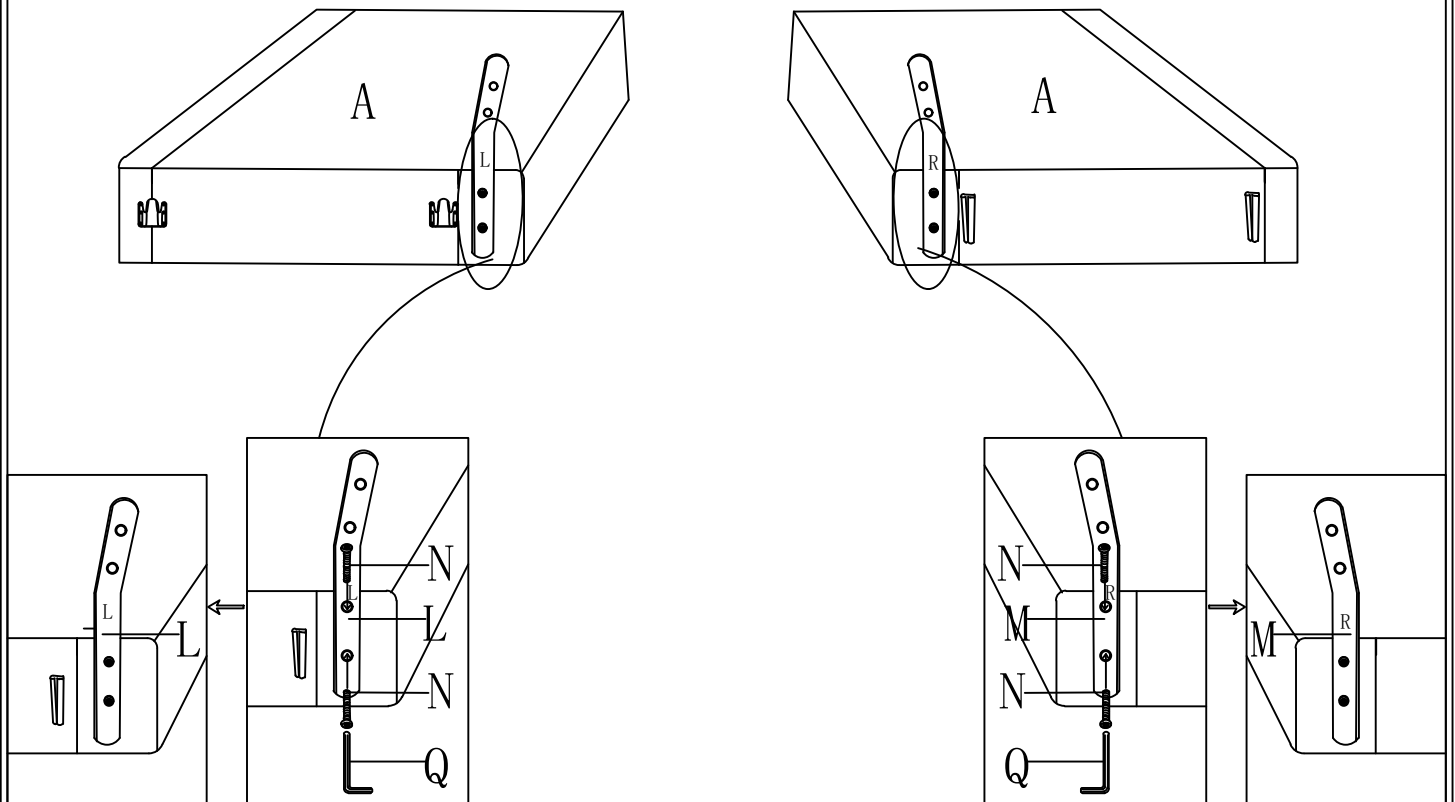
STEP 4:

Fasten the backrest to the backrest support pieces on both sides of the left seat frame with screws, put down the back cloth and stick the Velcro under the sofa seat frame



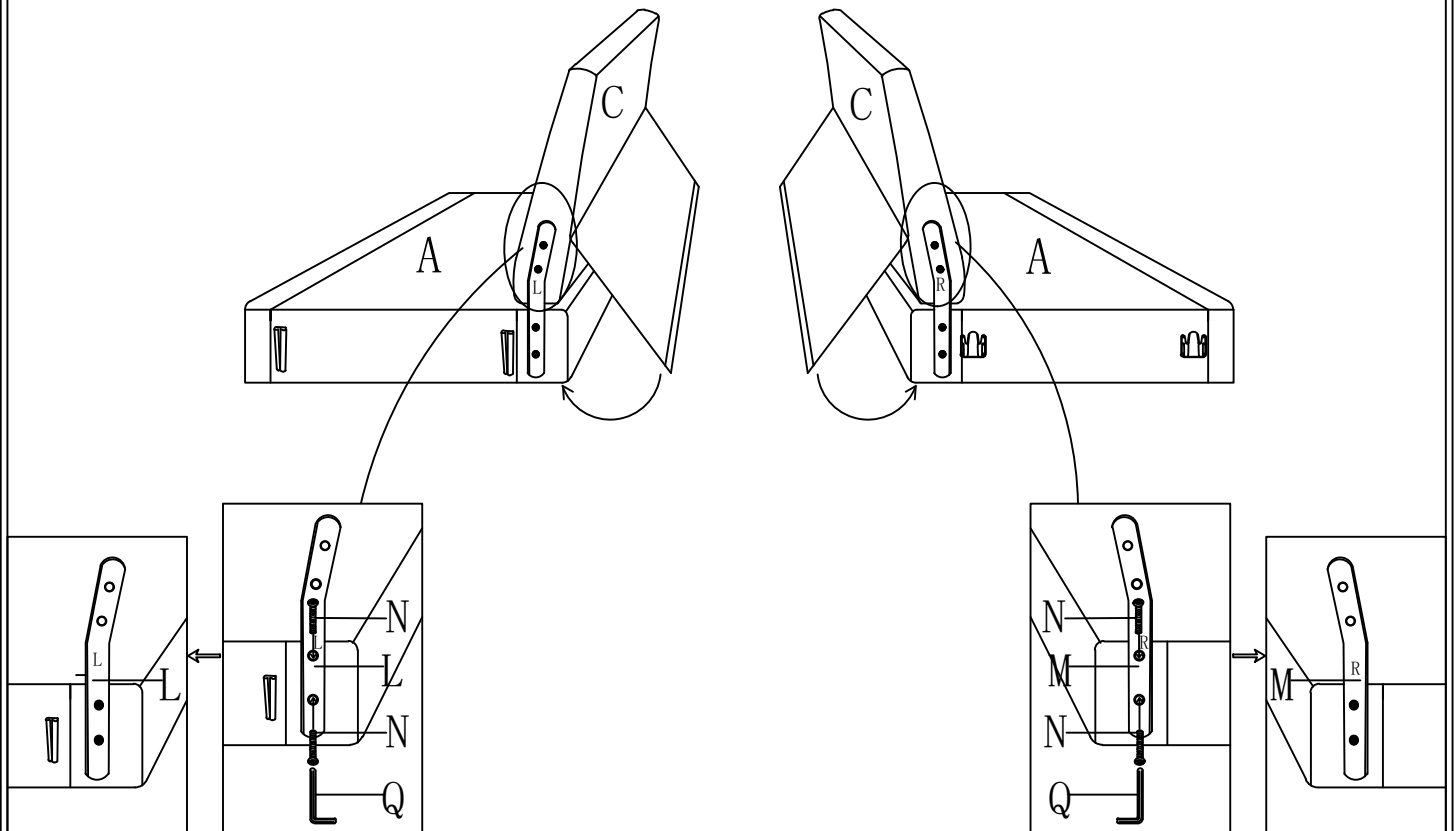
STEP 5:

Install backrest hardware accessories on both sides of the right seat frame of the sofa and distinguish the left and right



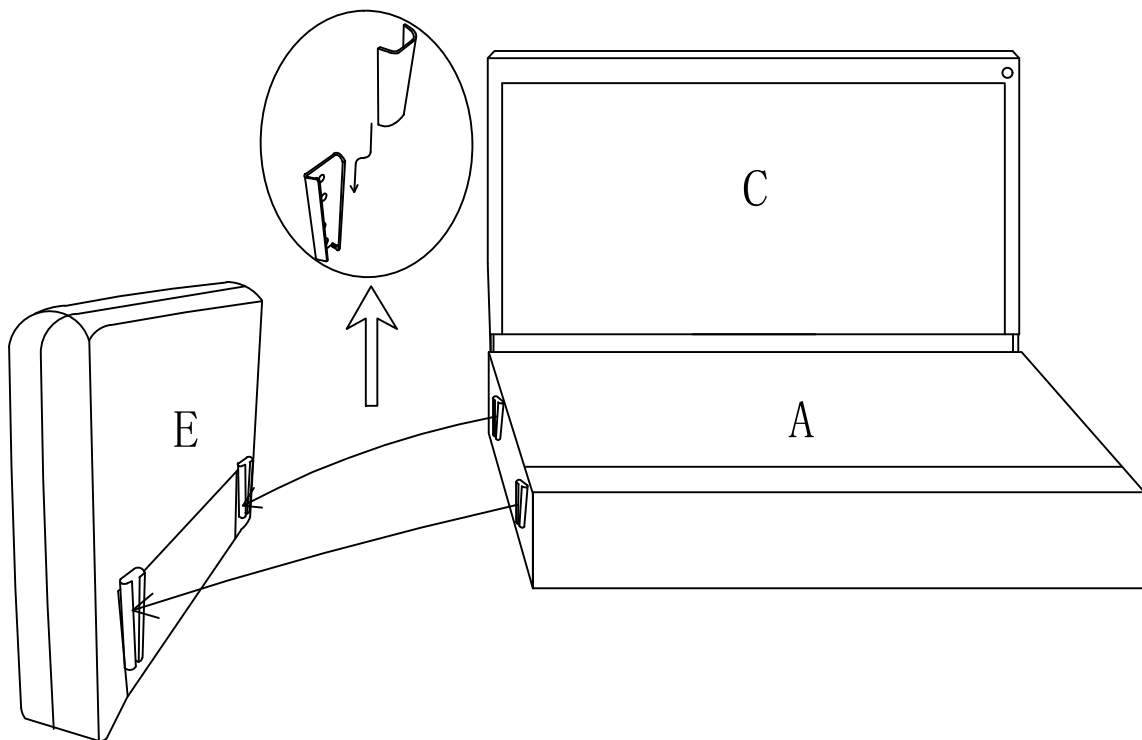
STEP 6:

Fasten the backrest to the backrest support pieces on both sides of the right seat frame with screws, put down the back cloth and stick the Velcro under the sofa seat frame



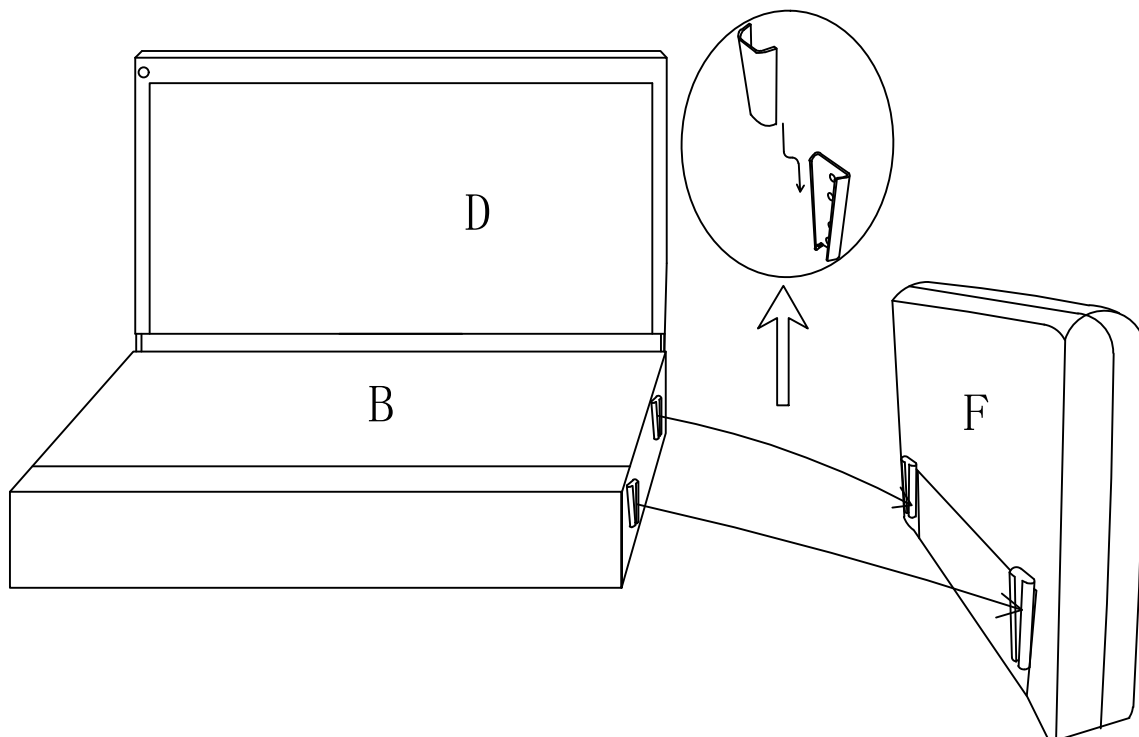
STEP 7:

Insert the right seat frame into the right armrest



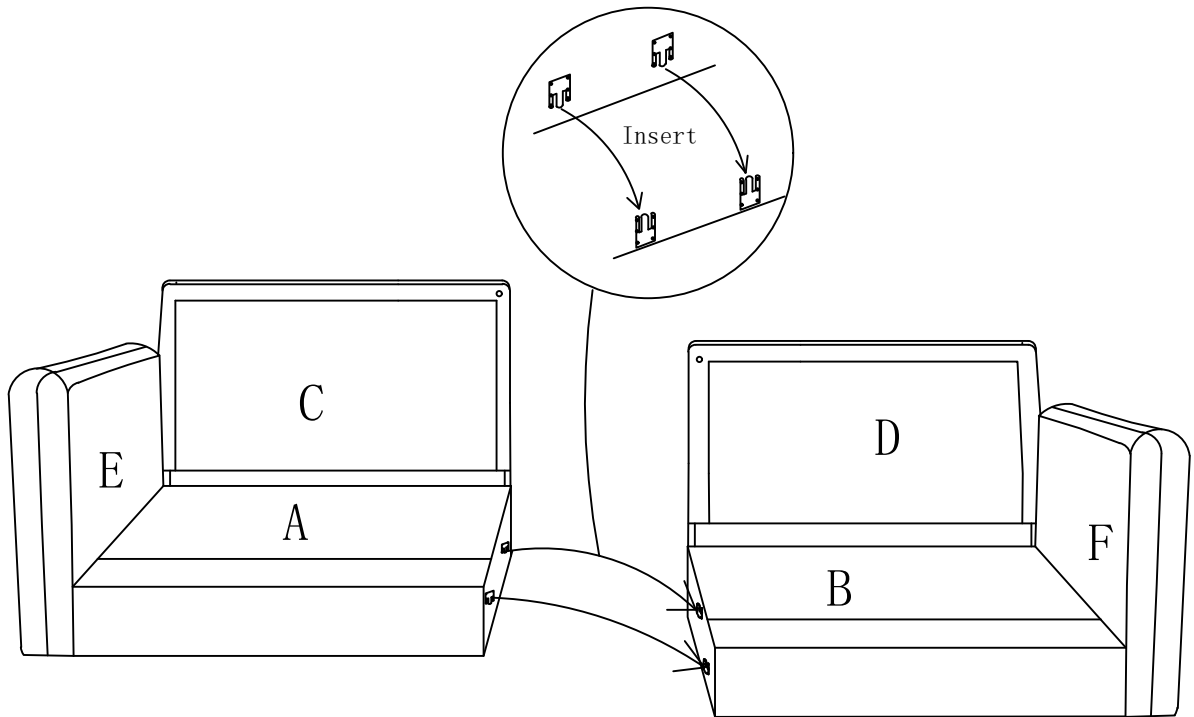
STEP 8:

Insert the left seat frame into the left armrest



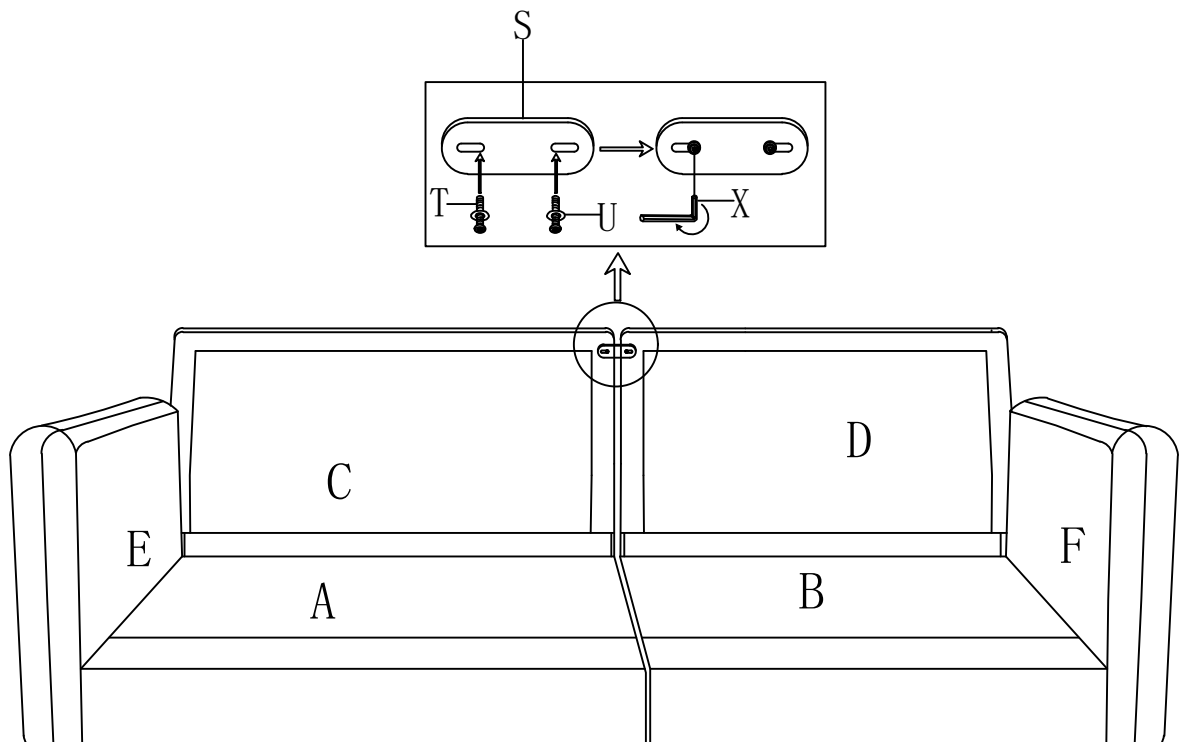
STEP 9:

Insert right double seat frame to left double seat frame

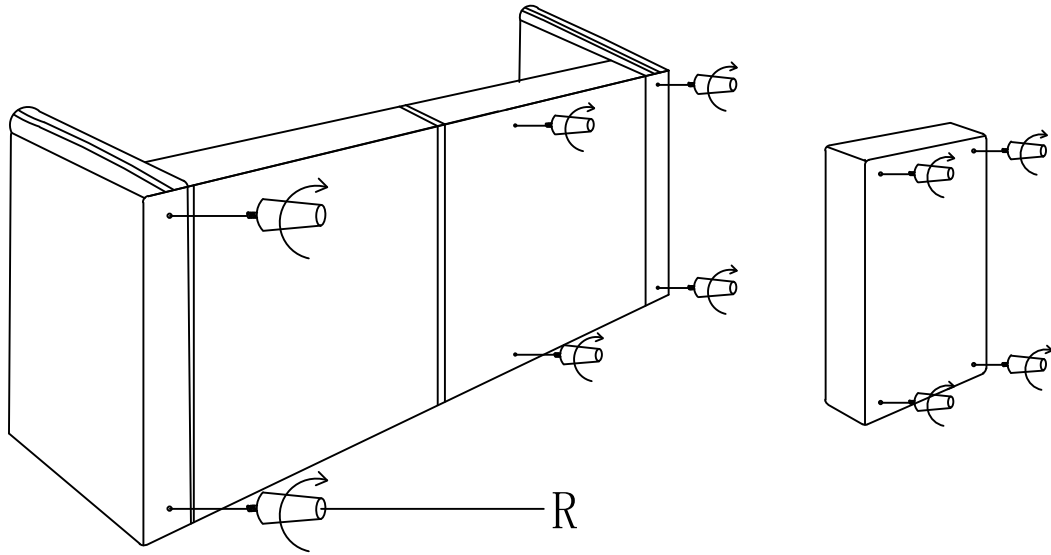


STEP 10:

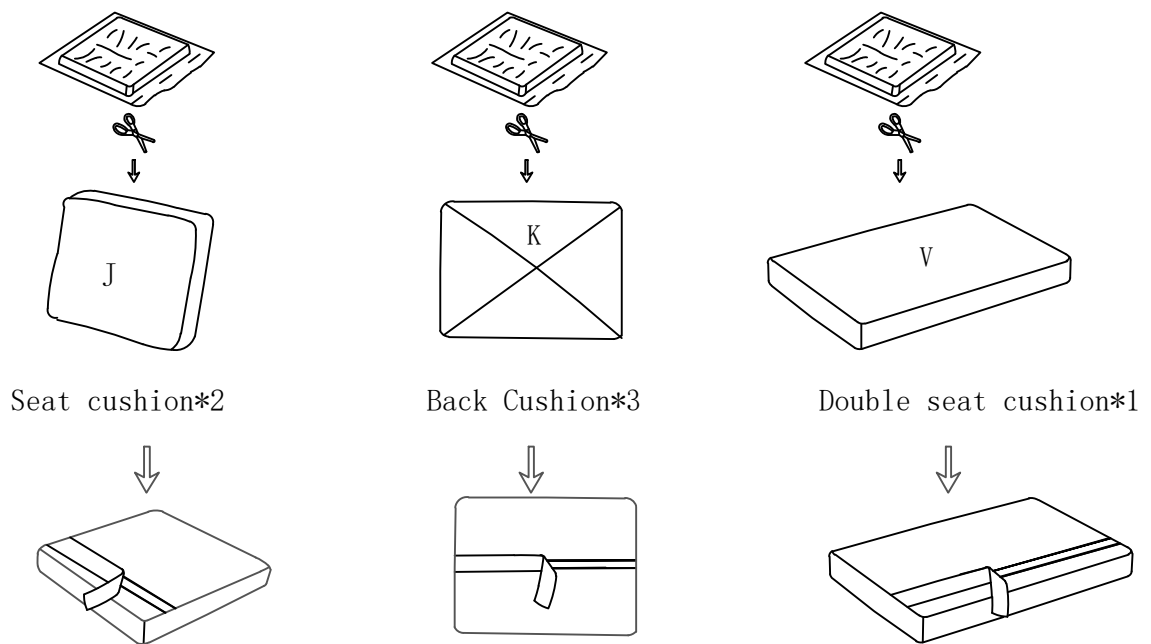
Lock the backrest with the metal plate



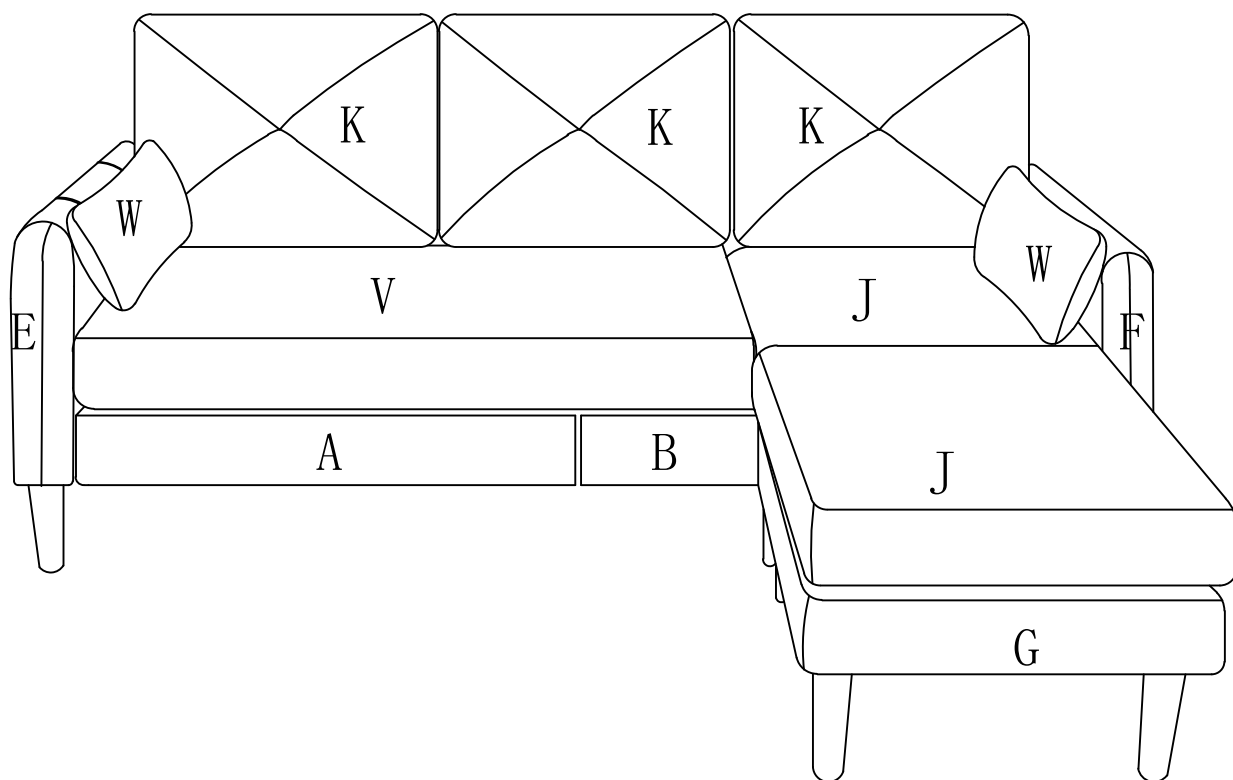
STEP 11:
Install the sofa feet



STEP 12:
Cut the compression bag

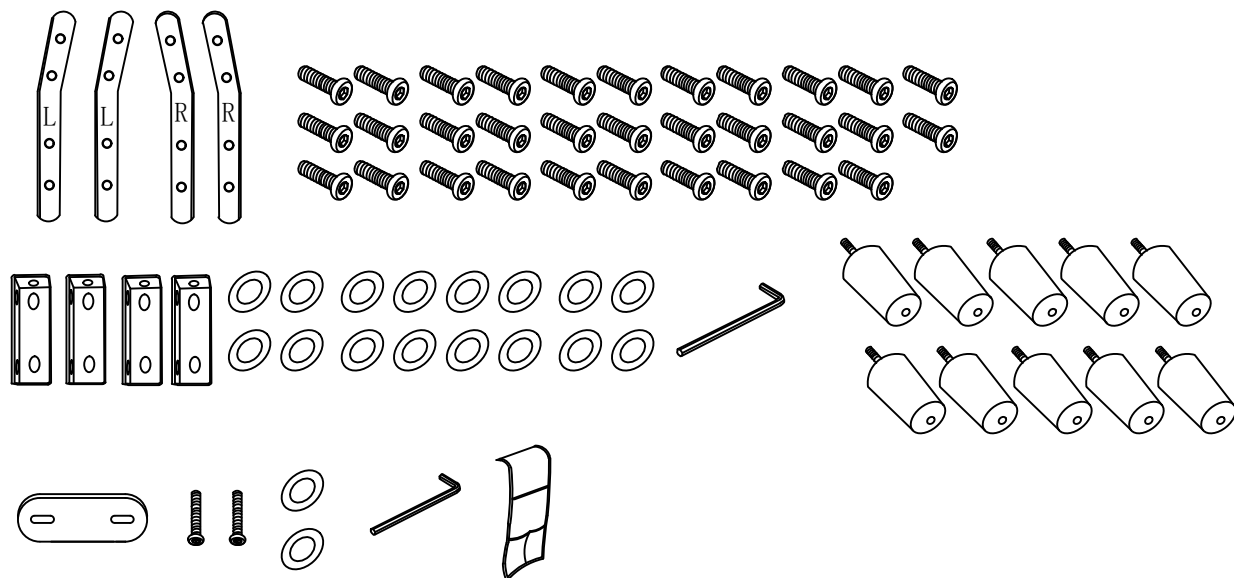


STEP 13:
Assembly completed



1、Sofa feet and backrest hardware are placed in the sofa seat frame

2、PartV、 J、 K、 W are placed in the sofa seat frame



V × 1

J × 2

K × 3

W × 2