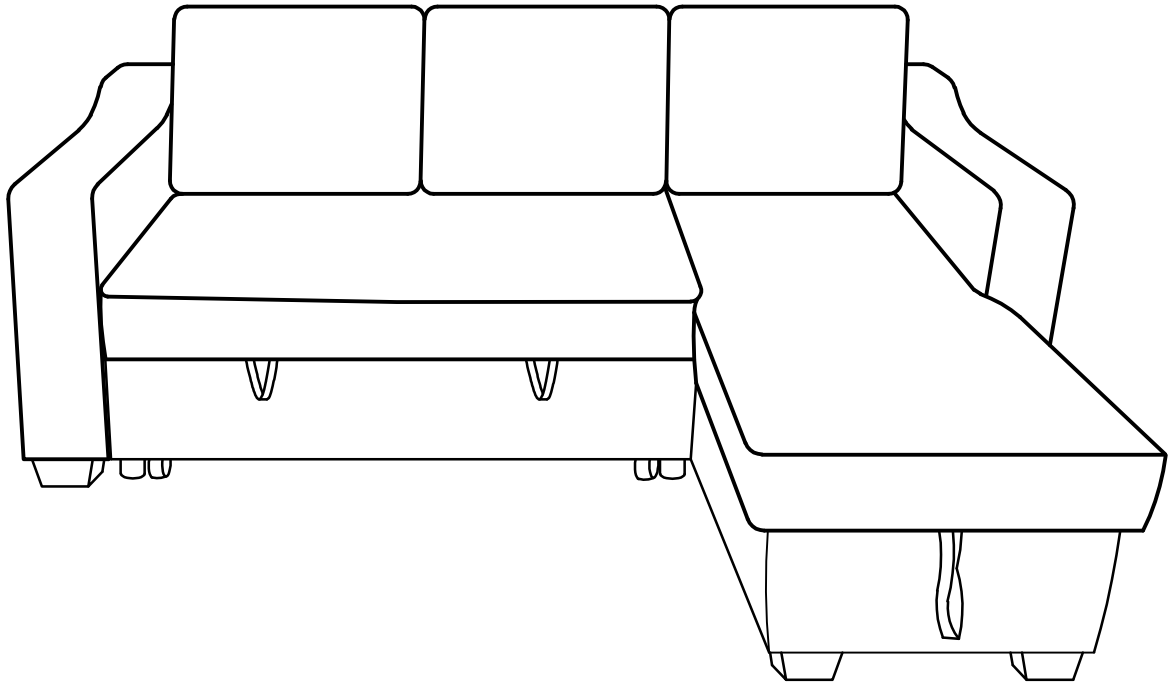


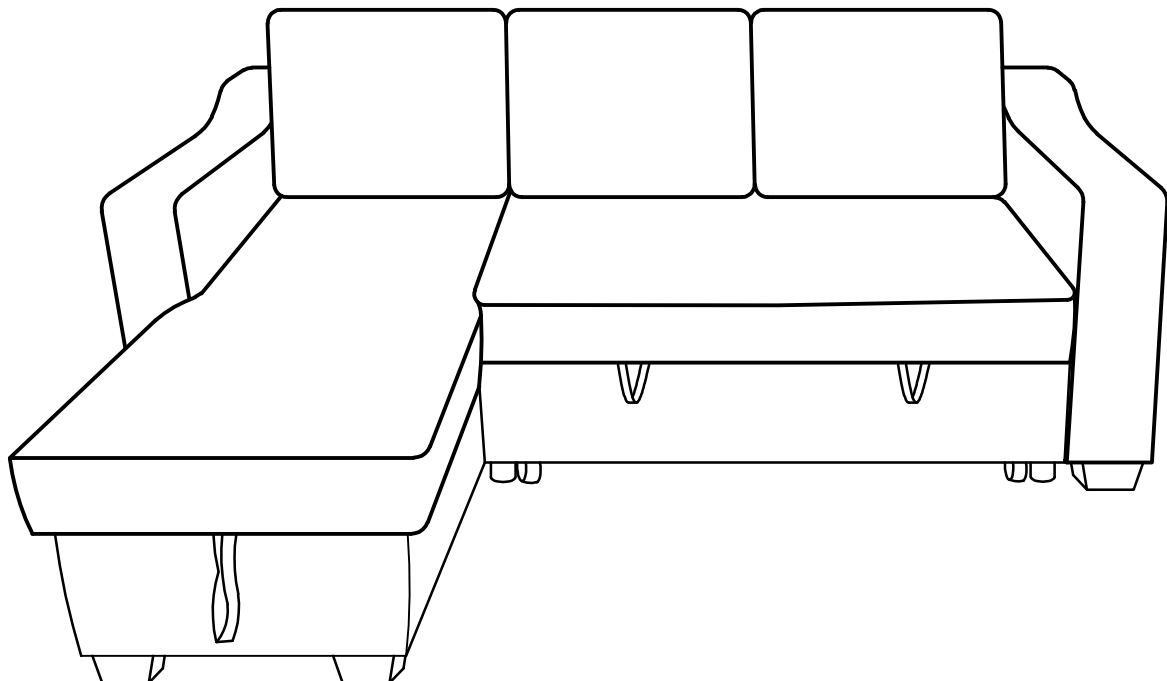
ASSEMBLY INSTRUCTIONS

ITEM# N719P180681/ N719P180682/ N719P180683

Right Facing Chaise



Left Facing Chaise



ASSEMBLY INSTRUCTIONS

ITEM# N719P180681/ N719P180682/ N719P180683

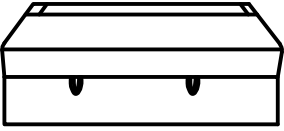


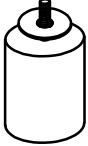

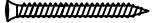
IMPORTANT NOTE

- ** Place all parts on a lean and smooth surface such as a rug or carpet to avoid the parts from being scratched.
- ** Before you begin, please review the assembly instruction step by step.
- ** Return & Warranty policy:
 - We strive to offer the highest quality products. We also provide positive solutions with replacements or refund if needed.
 - If the item is damaged or defective, please take photos to show the problem and email to the seller.
 - Please do not return back the products before contact the seller.

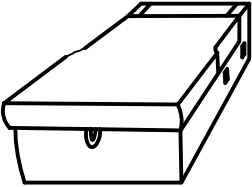

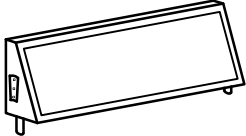

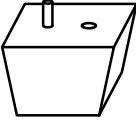
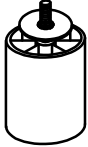
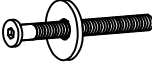

ASSEMBLY INSTRUCTIONS

ITEM# N719P180681/ N719P180682/ N719P180683

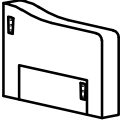

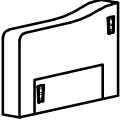



PART LISTS BOX1:N719P180681

<p>A</p>  <p>LOVESEAT (1 PC)</p>	<p>G</p>  <p>CUSHION BACK (2 PCS)</p>	<p>H</p>  <p>DECORATIVE PILLOWS(1PC)</p>
<p>2</p>  <p>LEG (4 PCS)</p>	<p>3</p>  <p>WHEEL (4 PCS)</p>	<p>5</p>  <p>SCREW M4*30 (16PCS)</p>

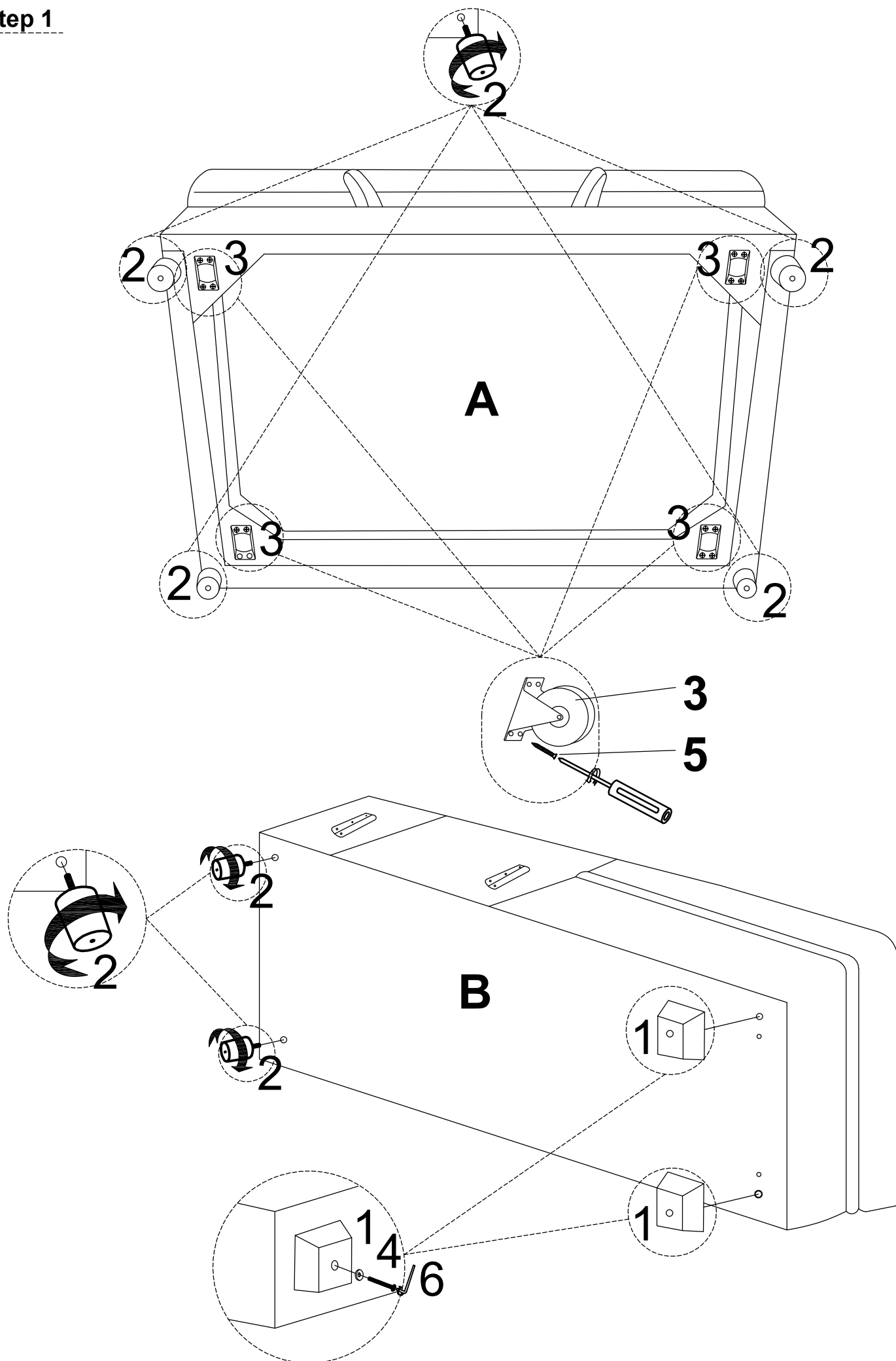
PART LISTS BOX 2: N719P180682

<p>B</p>  <p>CHAISE (1 PC)</p>	<p>D</p>  <p>CHAISE BACKREST (1 PC)</p>	<p>C</p>  <p>LOVESEAT BACKREST (1 PC)</p>	<p>G</p>  <p>CUSHION BACK (1 PC)</p>
<p>1</p>  <p>LEG (6 PCS)</p>	<p>2</p>  <p>LEG (2 PCS)</p>	<p>4</p>  <p>BOLT 5/16x60 MM (6 PCS)</p>	<p>6</p>  <p>ALLEN KEY (1PC)</p>

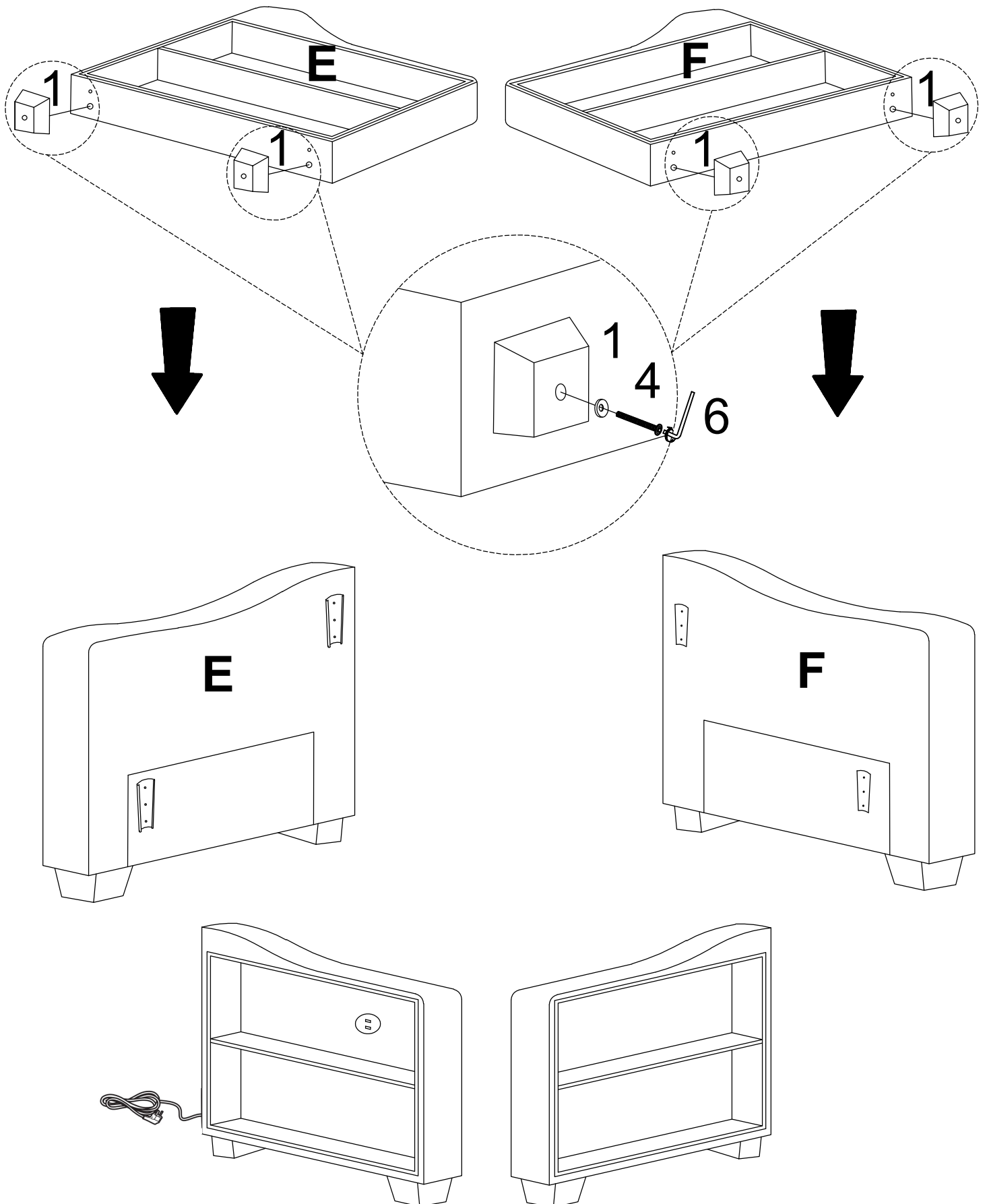
PART LISTS BOX 3: N719P180683

<p>F</p>   <p>RIGHT ARM (1 PC)</p>	<p>E</p>   <p>LEFT ARM (1PC)</p>	<p>H</p>  <p>DECORATIVE PILLOWS (1PC)</p>	 <p>Phillips Screwdriver (Not included)</p>
---	---	--	--

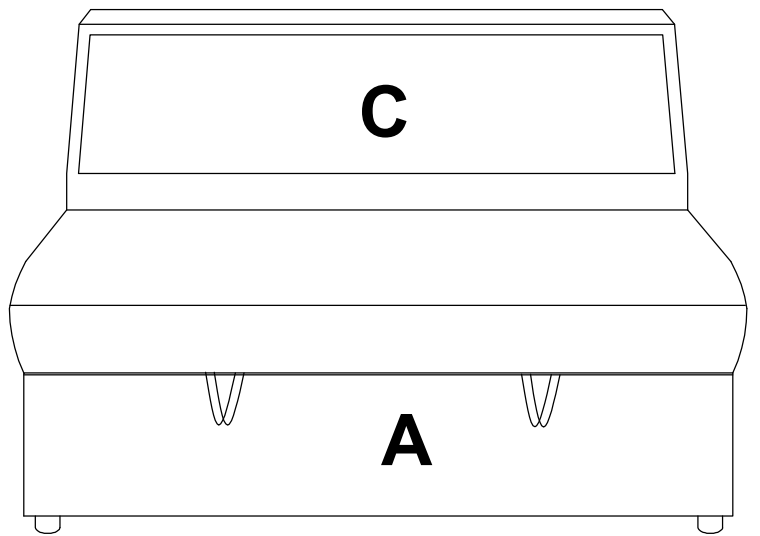
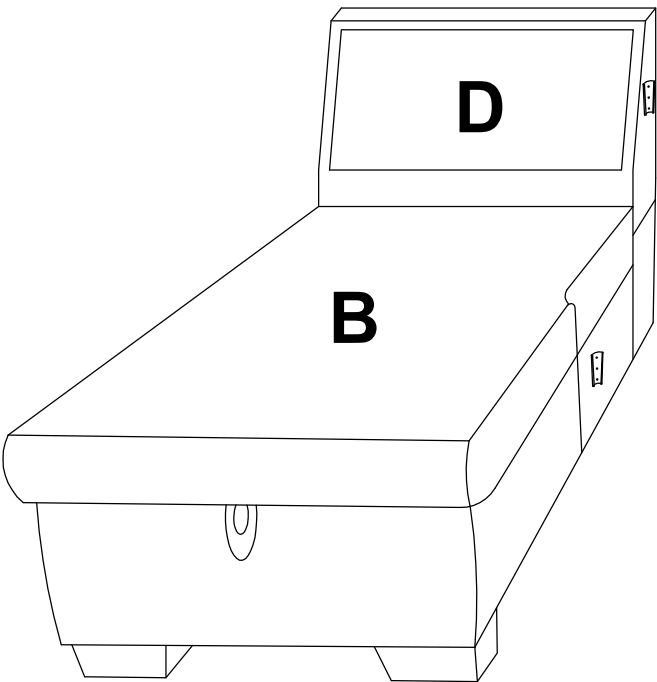
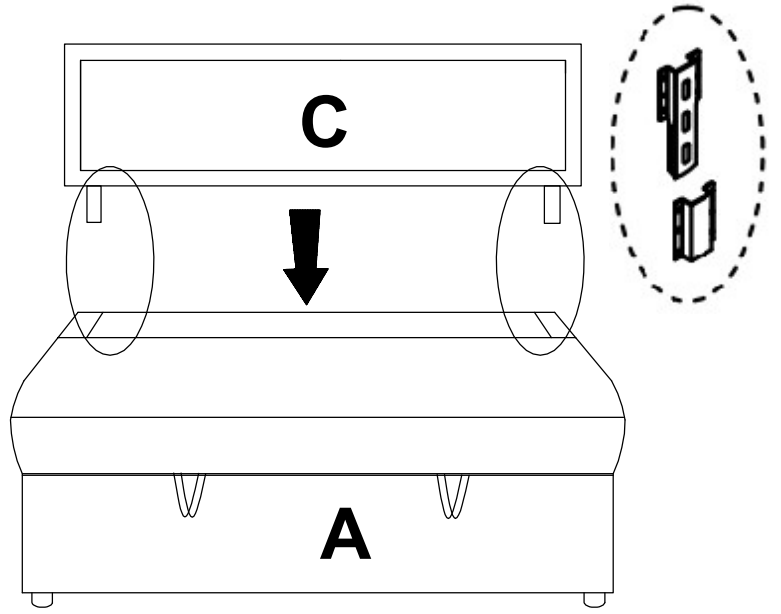
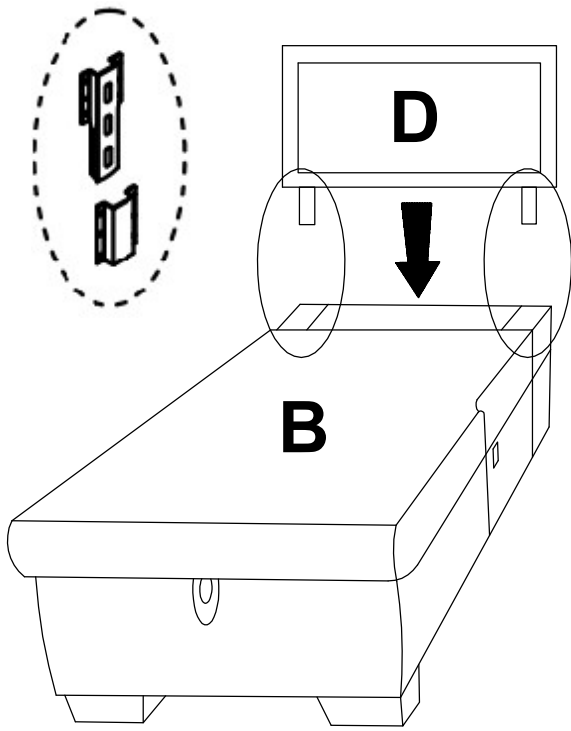
Step 1



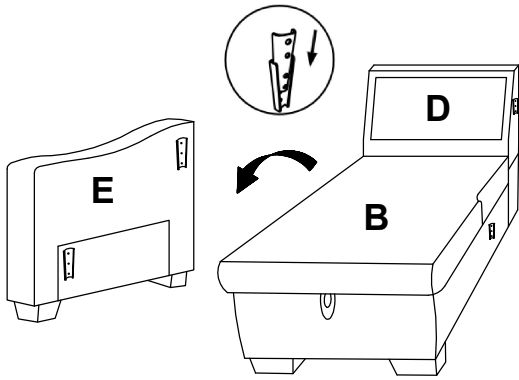
Step 2



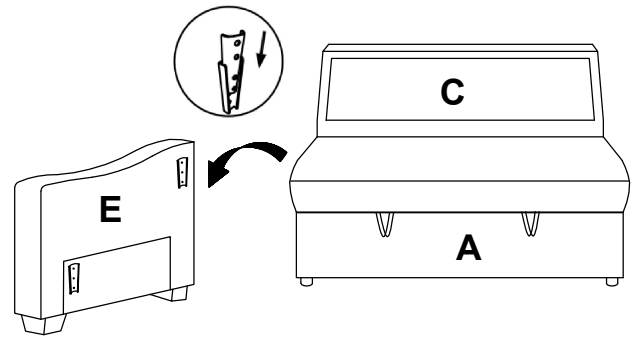
Step 3:



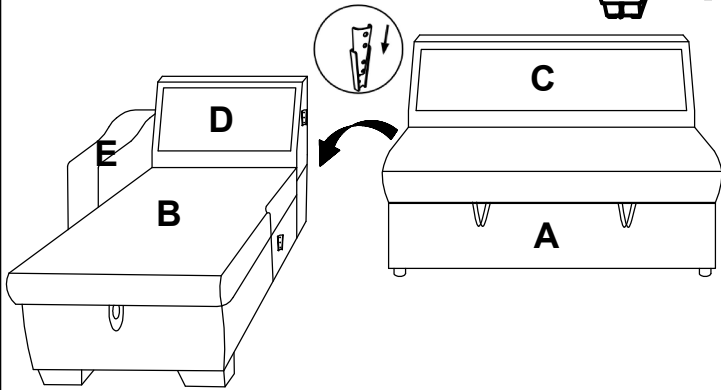
Step 4: Chaise is on the Left



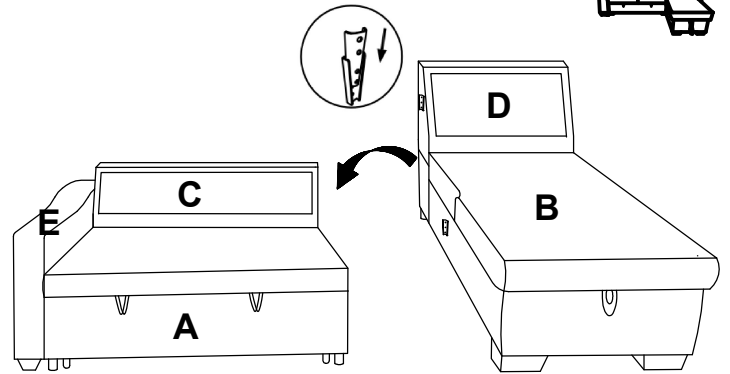
Chaise is on the Right



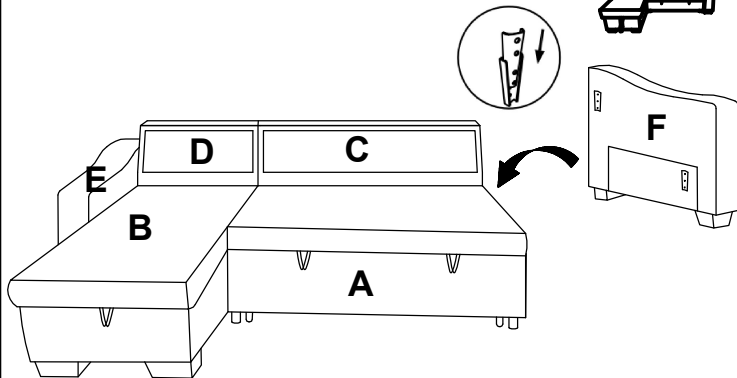
Step 5: Chaise is on the Left



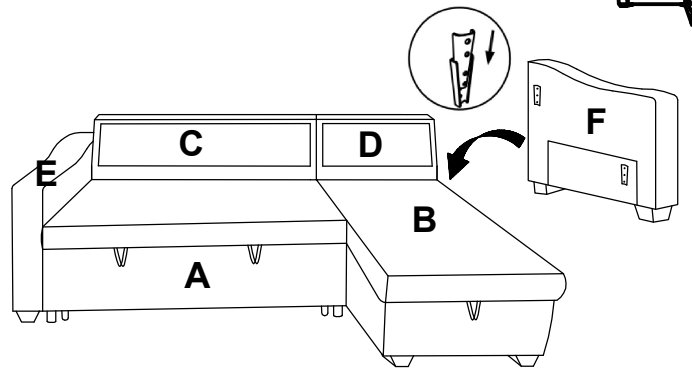
Chaise is on the Right



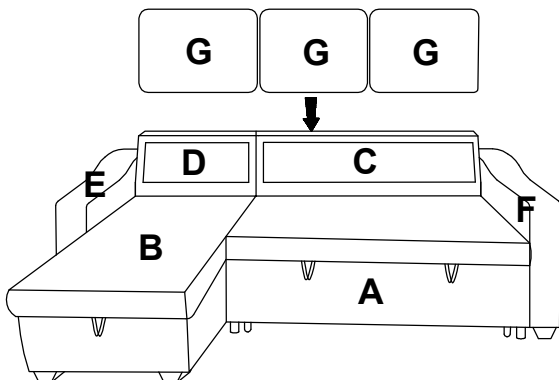
Step 6: Chaise is on the Left



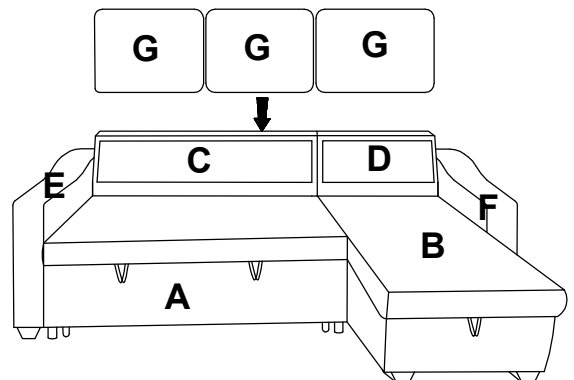
Chaise is on the Right



Step 7: Chaise is on the Left

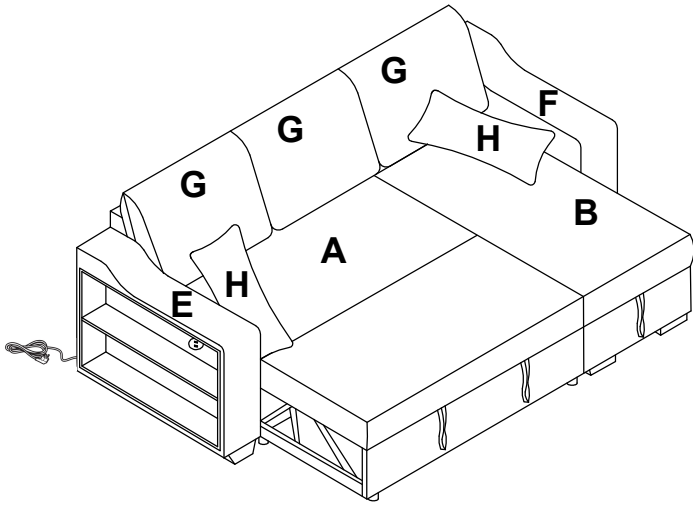


Chaise is on the Right

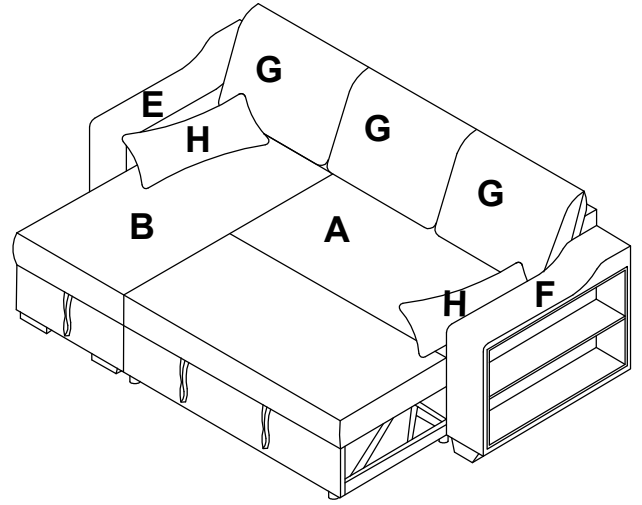


Step 8: Assembly Complete

Chaise is on the Right

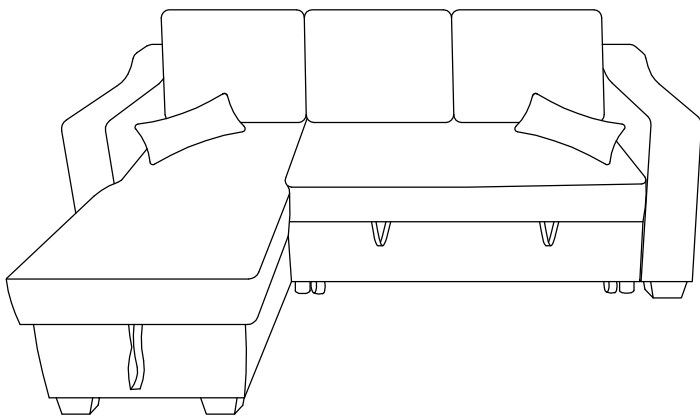


Chaise is on the Left



Assembly Complete

Chaise is on the Left



Assembly Complete

Chaise is on the Right

