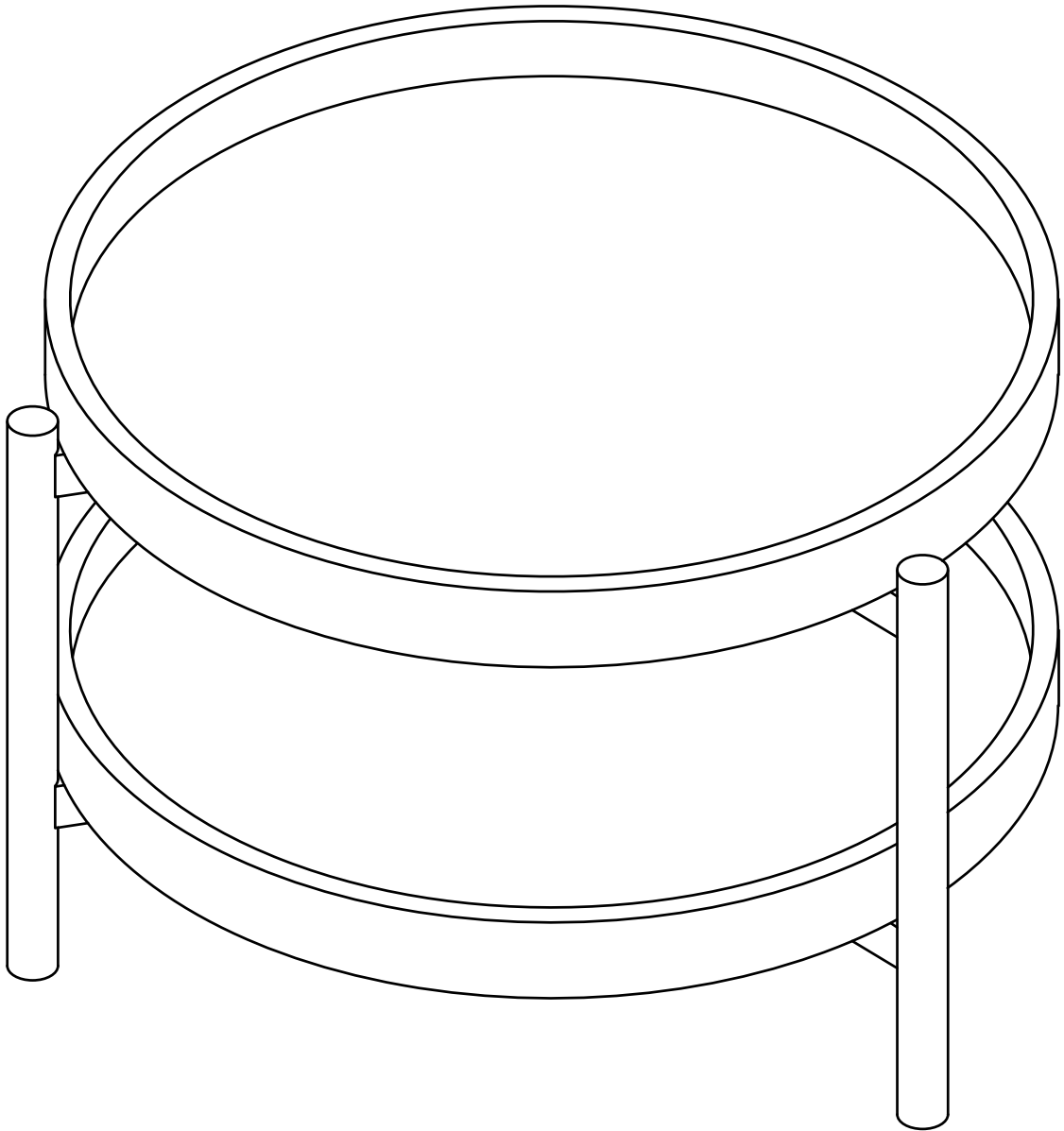
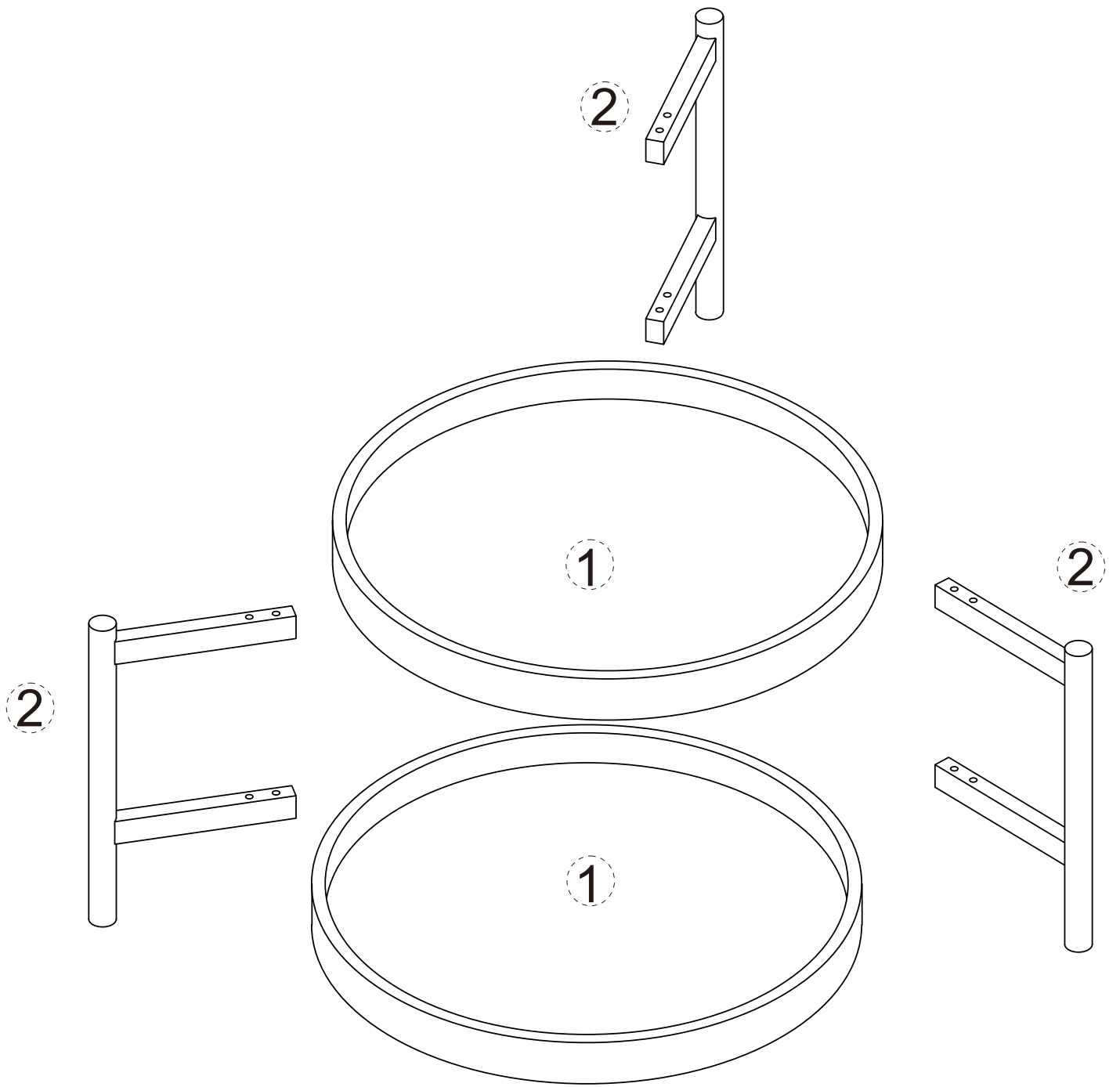


2406563

ASSEMBLY INSTRUCTIONS

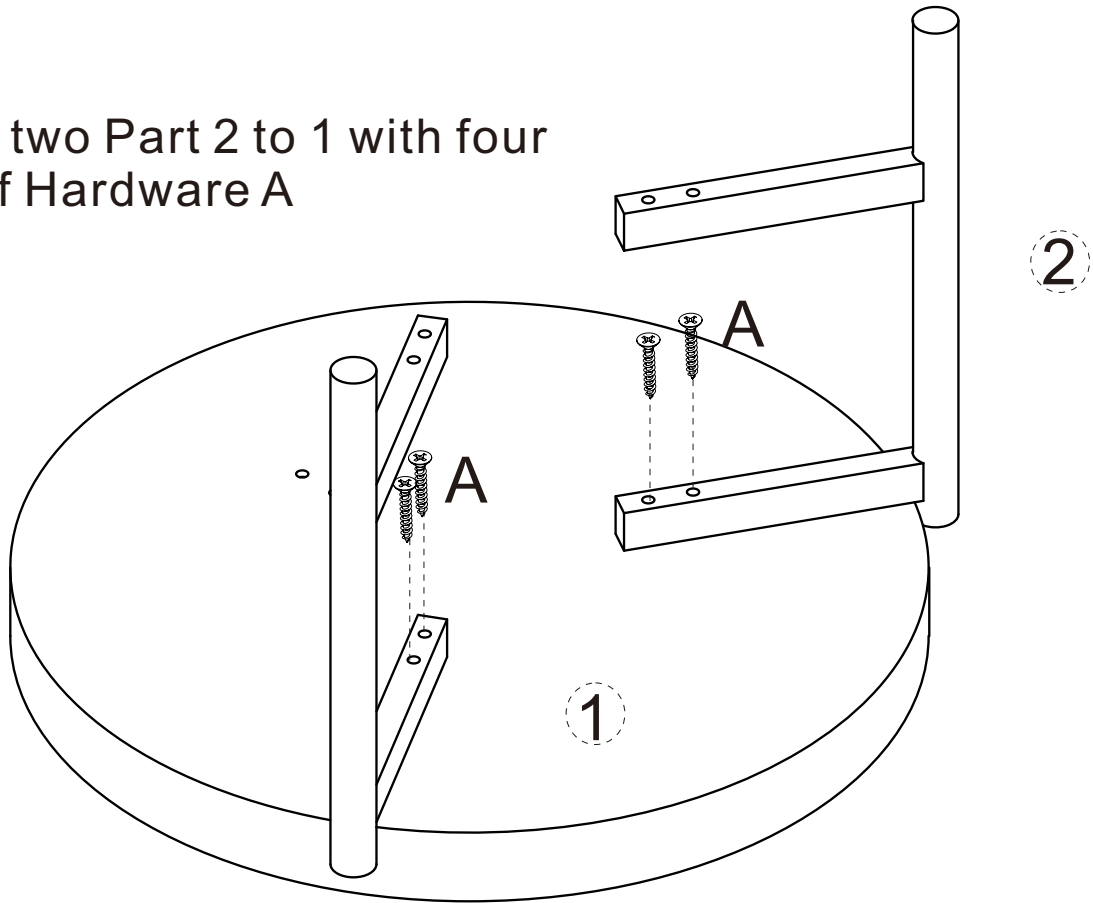
<<Before assembling, read all the instructions>>



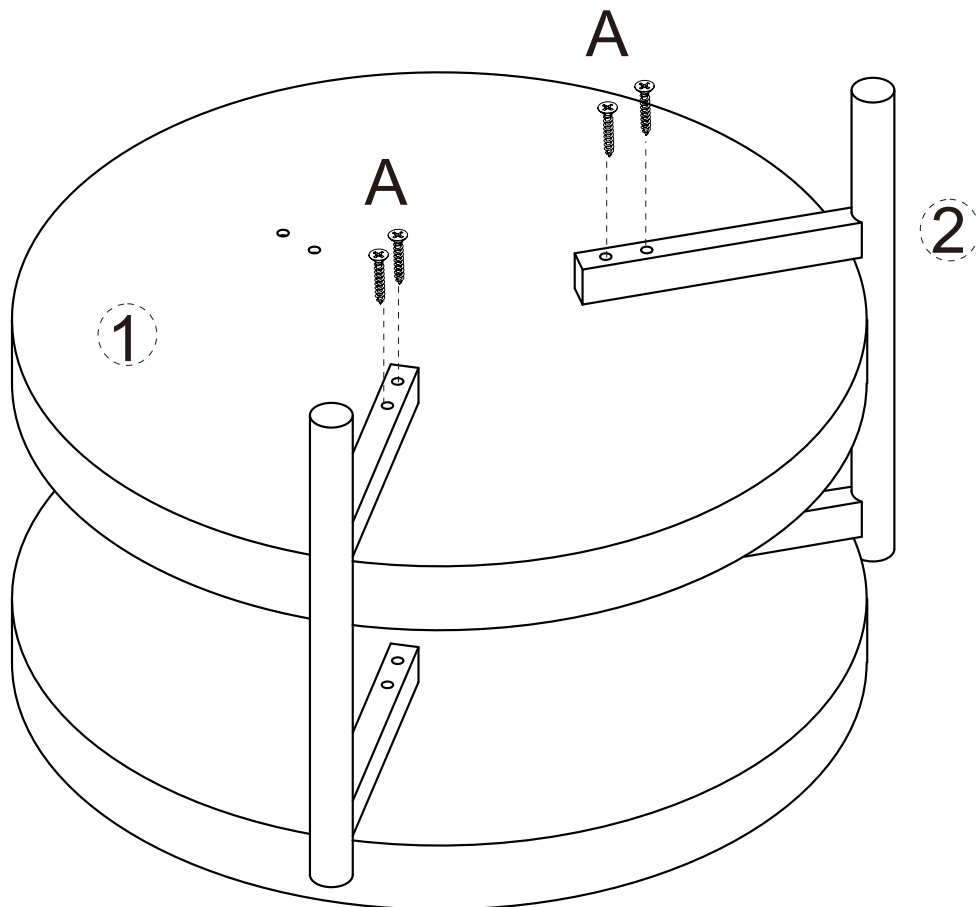


# Step 1

Connect two Part 2 to 1 with four pieces of Hardware A

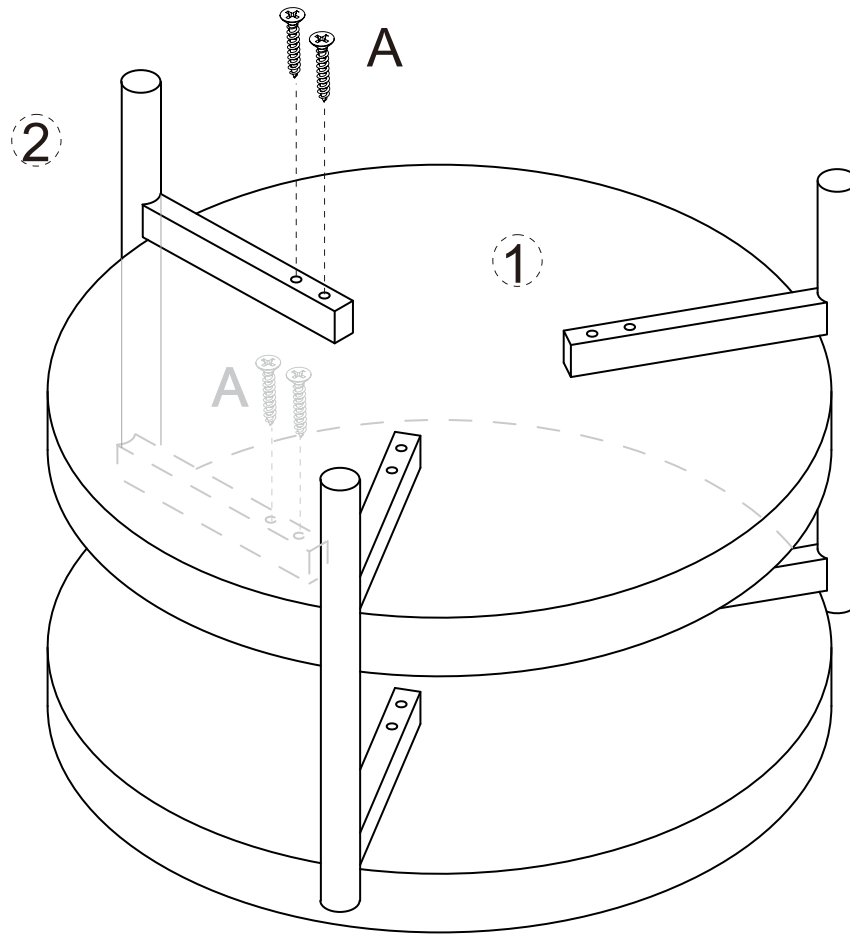


# Step 2



Link the two Part 2 with another Part 1 with four pieces of Hardware A

# Step 3



Connect another Part 2 to 1 with four pieces of Hardware A