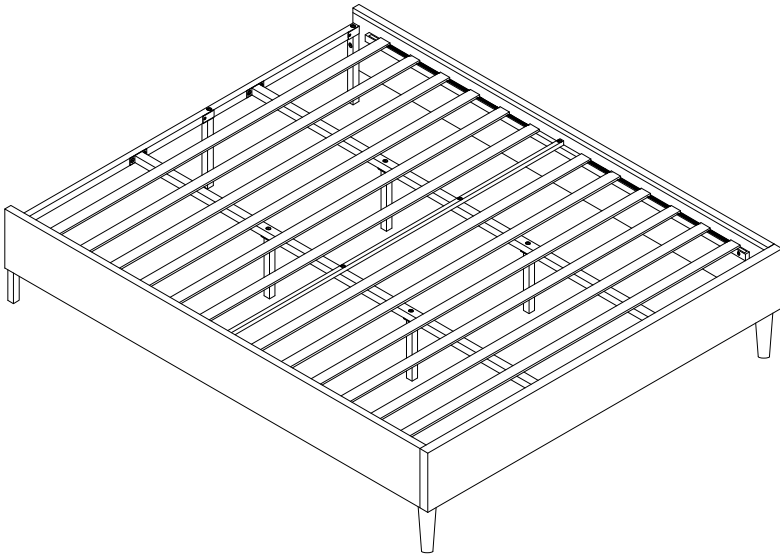


ASSEMBLY INSTRUCTION

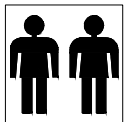


Please **TEAR OFF** this shrink film from side!
DO NOT USE CUTTER!

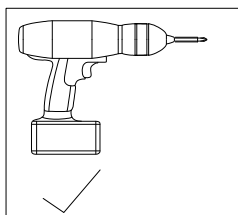
ITEM NUMBER:198

IMPORTANT NOTE

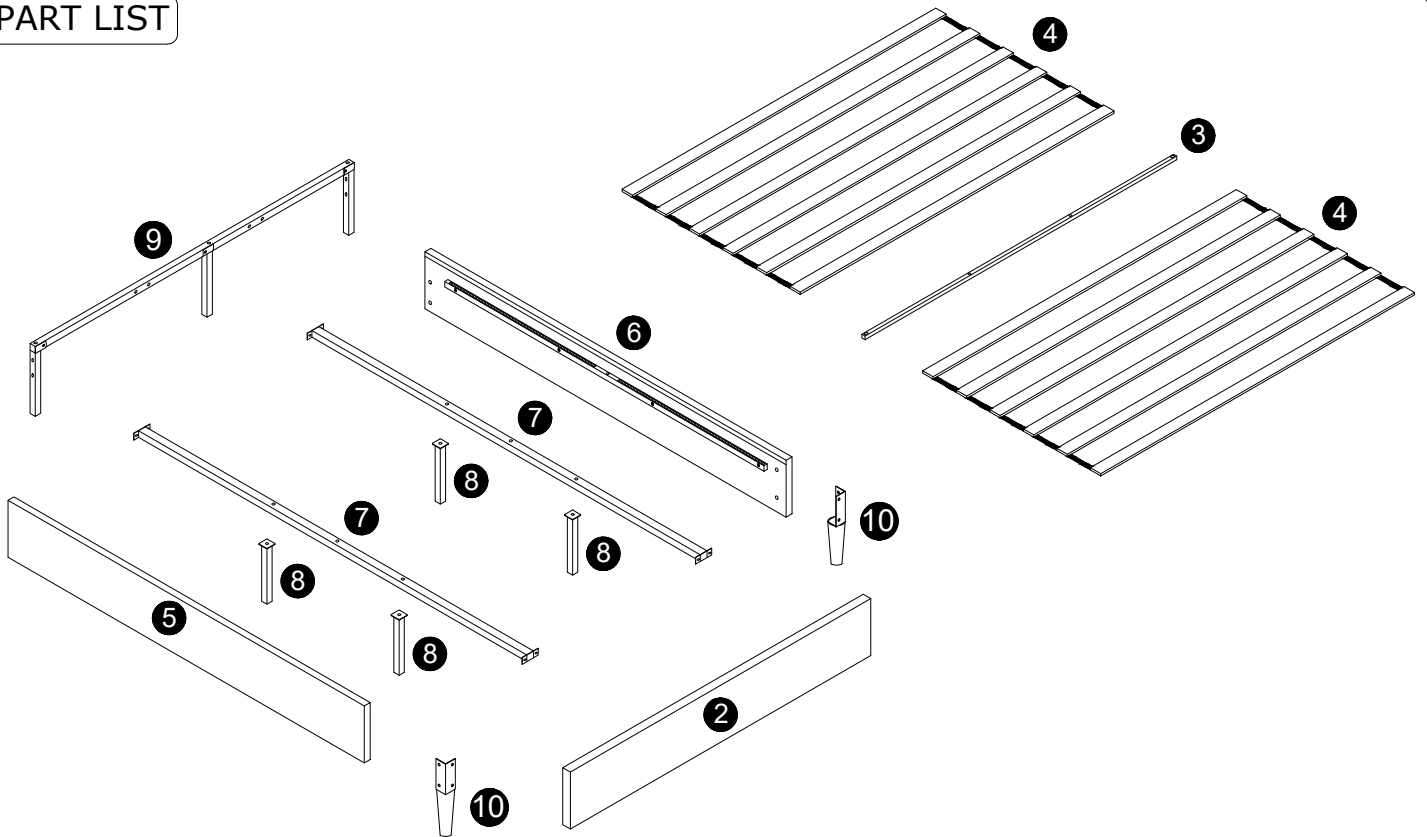
1. For the protection of your furniture, place all parts on a clean and smooth surface to prevent any damage.
2. Keep fittings out of children's reach and keep children well away from construction area.
3. When moving your assembled bed. it is best to lift the bed and never to drag it.
4. Do not use this product if parts are missing, damaged or worn.
5. This product should only be used on firm, level ground.
6. Please periodically check all fittings and re-tighten as necessary.
7. Do not use the bed unless all bolts and screws are firmly secured.
8. For further assistance, please provide a screenshot of your order and contact us via email at kjbed@outlook.com



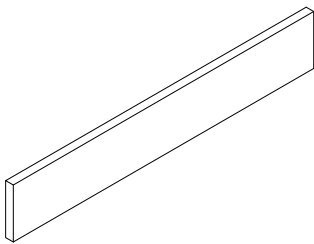
Minimum two
person assembly



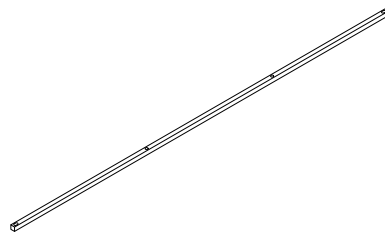
PART LIST



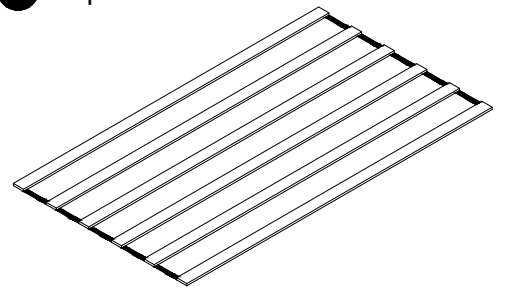
2 x 1pc



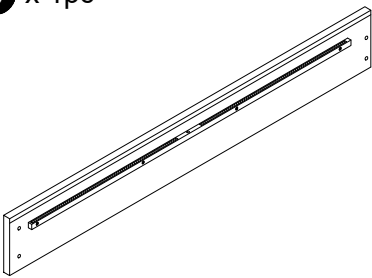
3 x 1pc



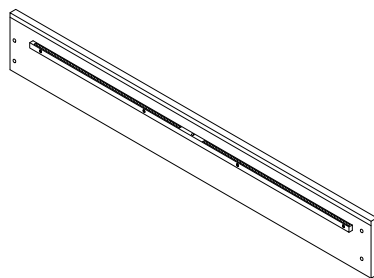
4 x 2pcs



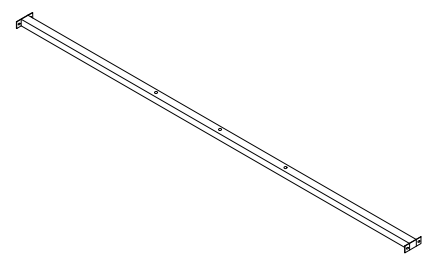
5 x 1pc



6 x 1pc



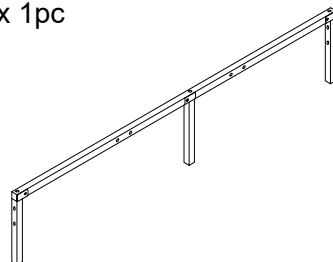
7 x 2pcs



8 x 4pcs



9 x 1pc



10 x 2pcs



Please ensure to thoroughly inspect the small inner cardboard box containing the hardware, which are tied with a red string, before disposing of the box.

HARDWARE LIST



H1 M5 x 1pc

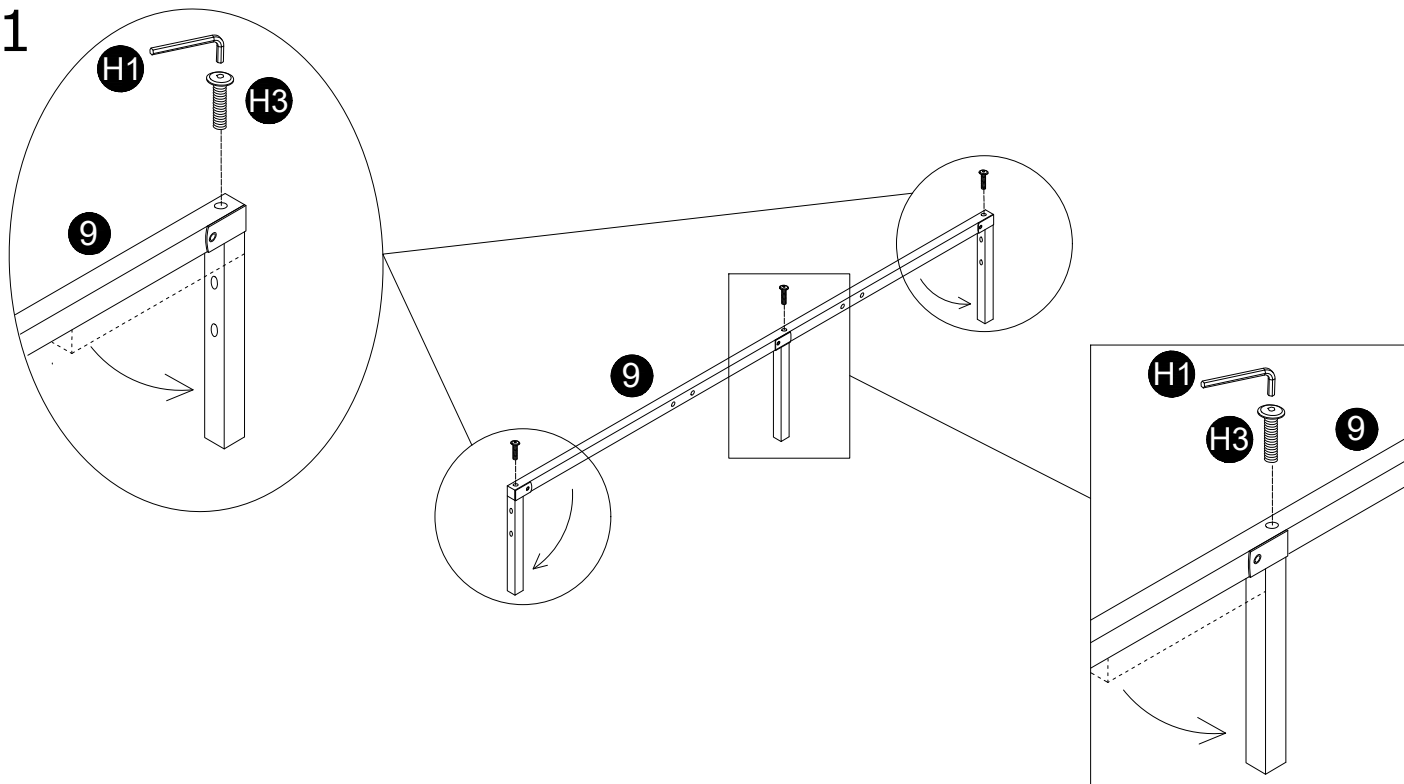


H2 M8x20mm x 16pcs

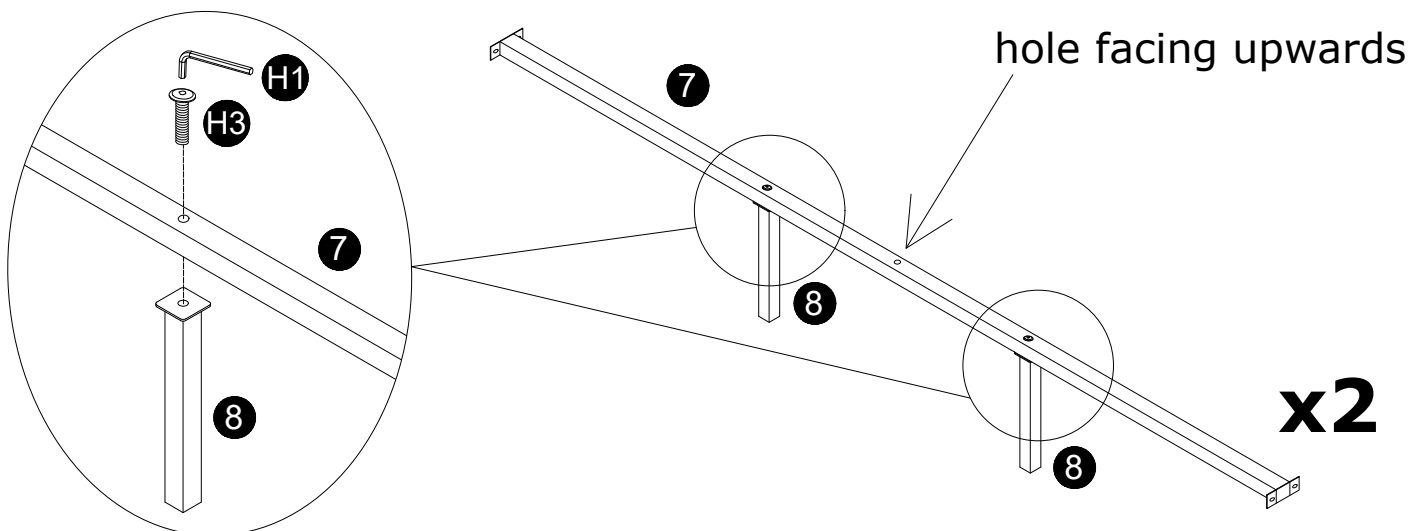


H3 M8x40mm x 15pcs

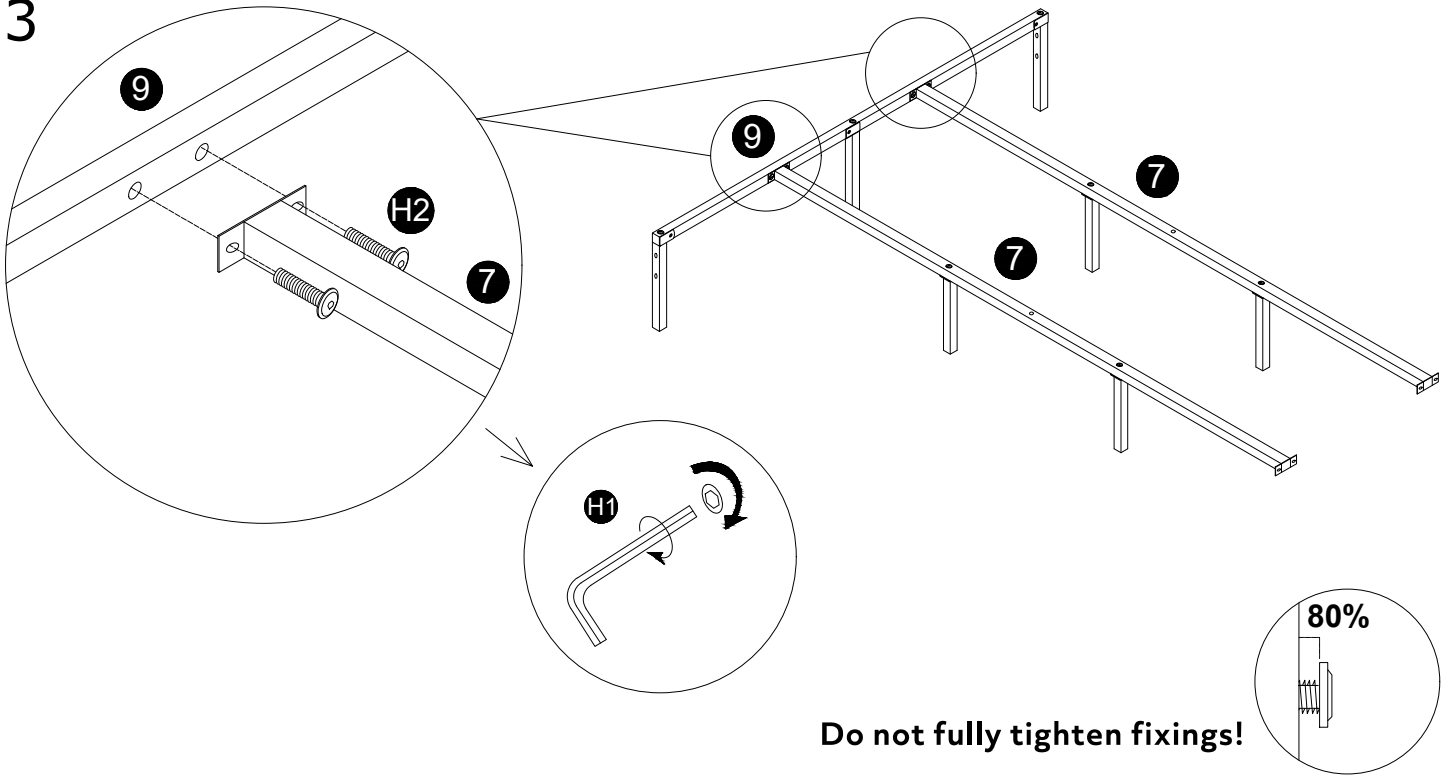
1



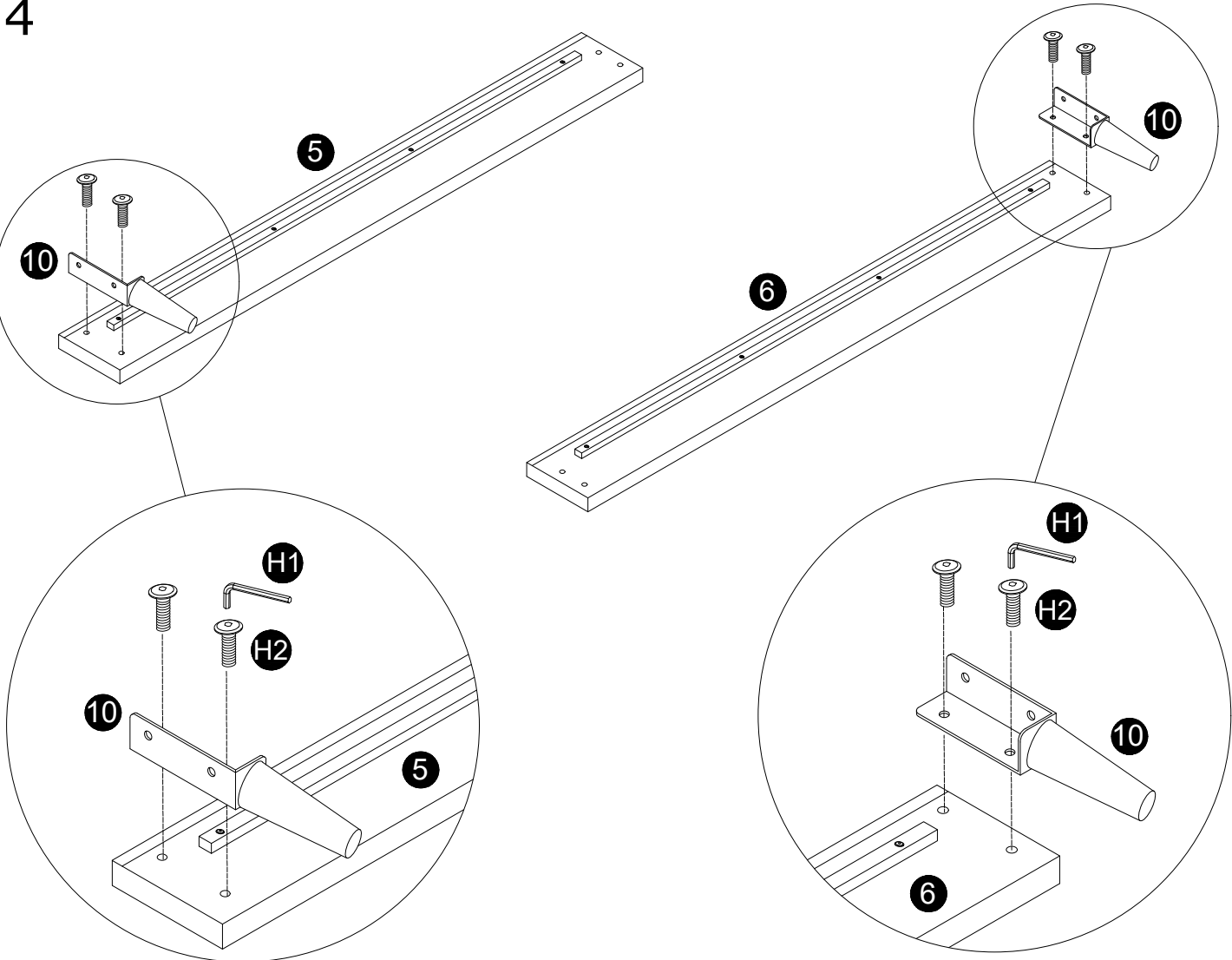
2



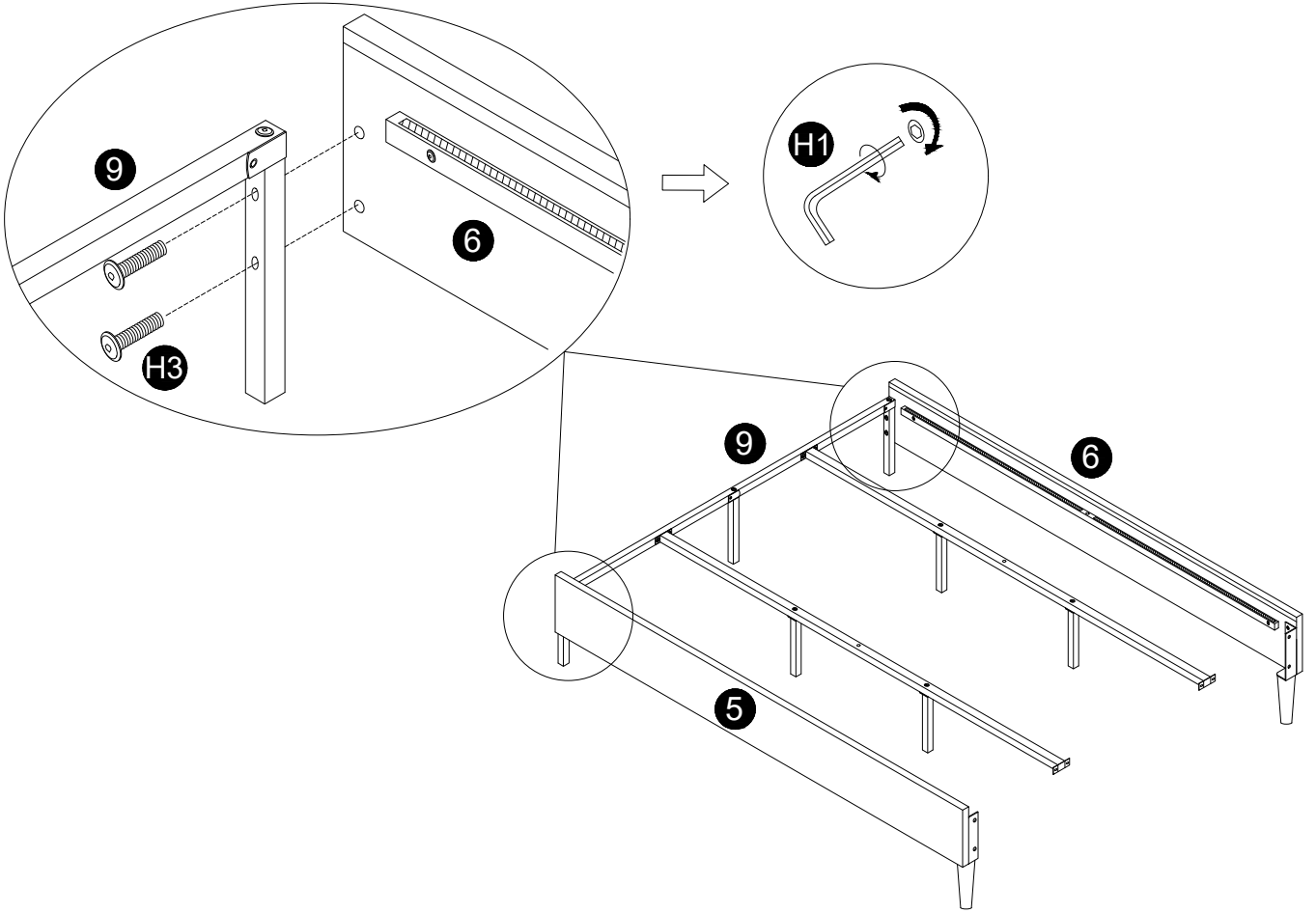
3



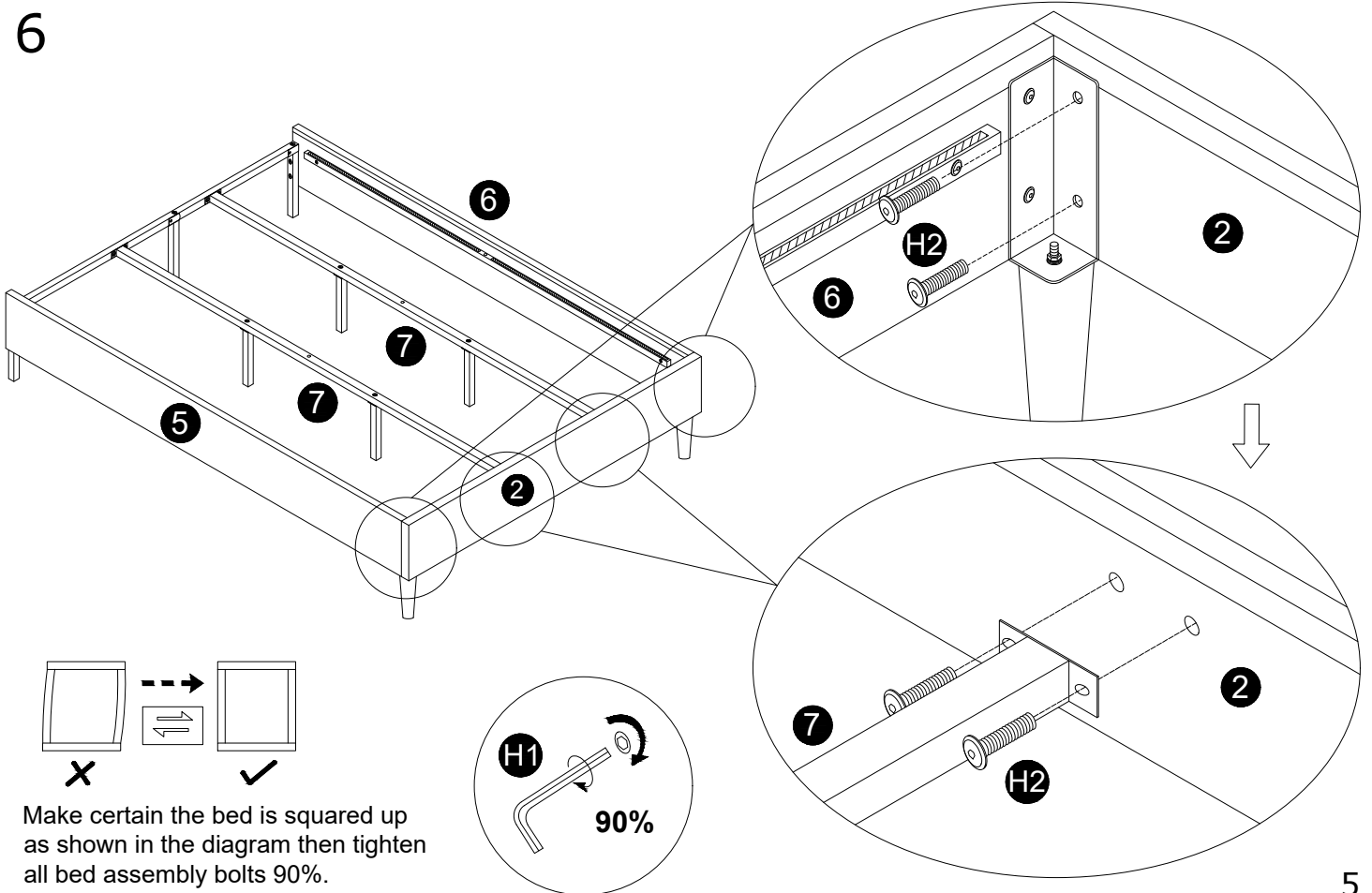
4



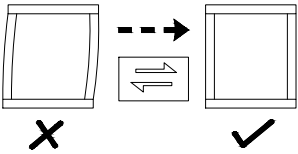
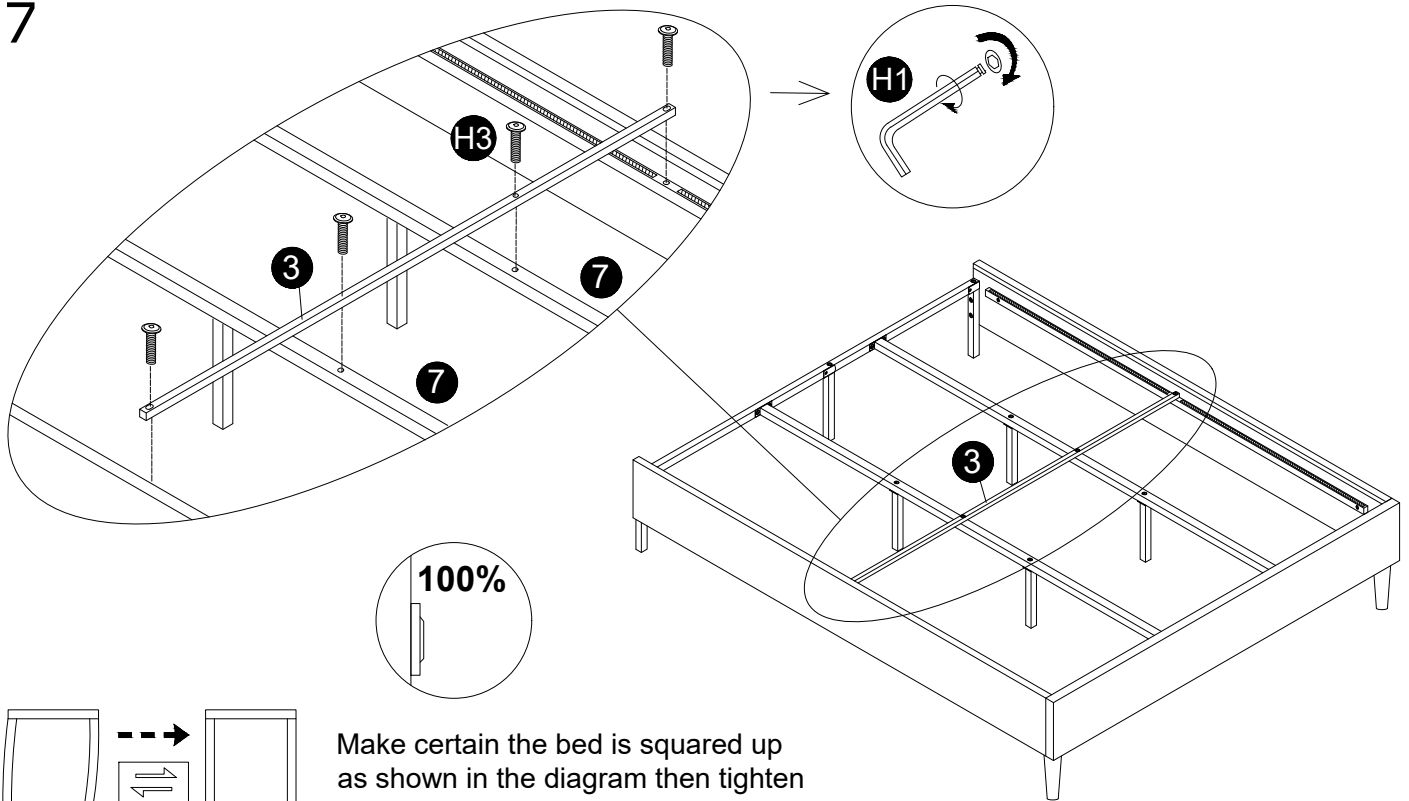
5



6



7



Make certain the bed is squared up as shown in the diagram then tighten all bed assembly bolts 100%.

8



Job Complete !

In the interest of our environment please dispose of all packaging thoughtfully.