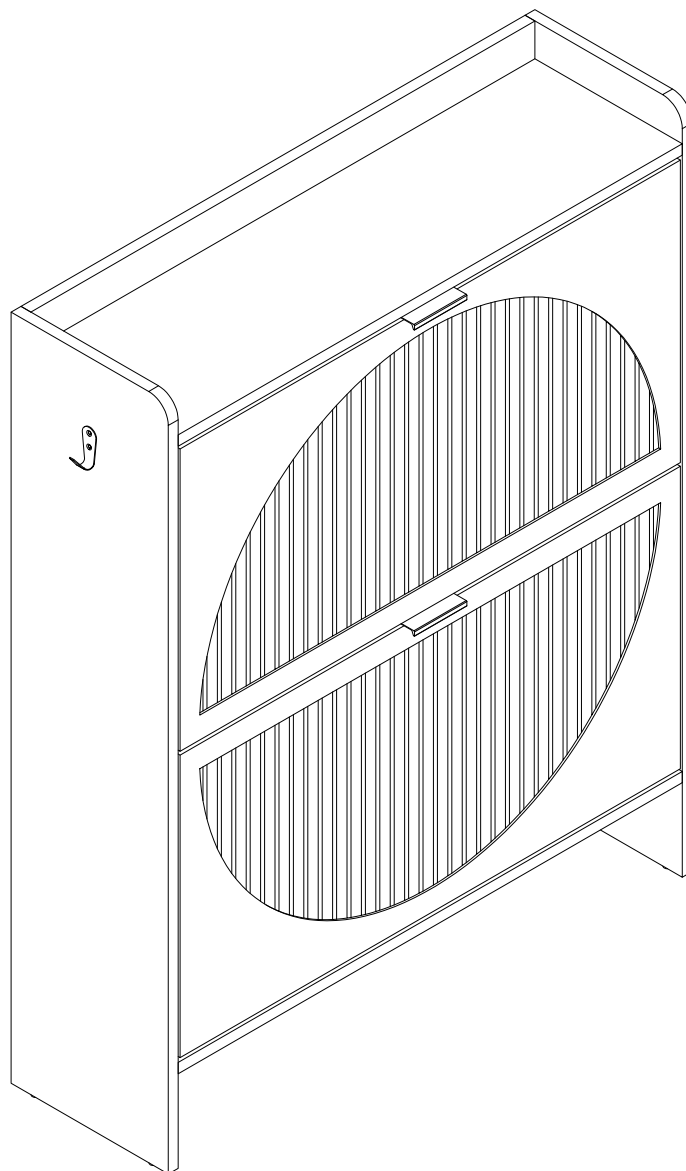
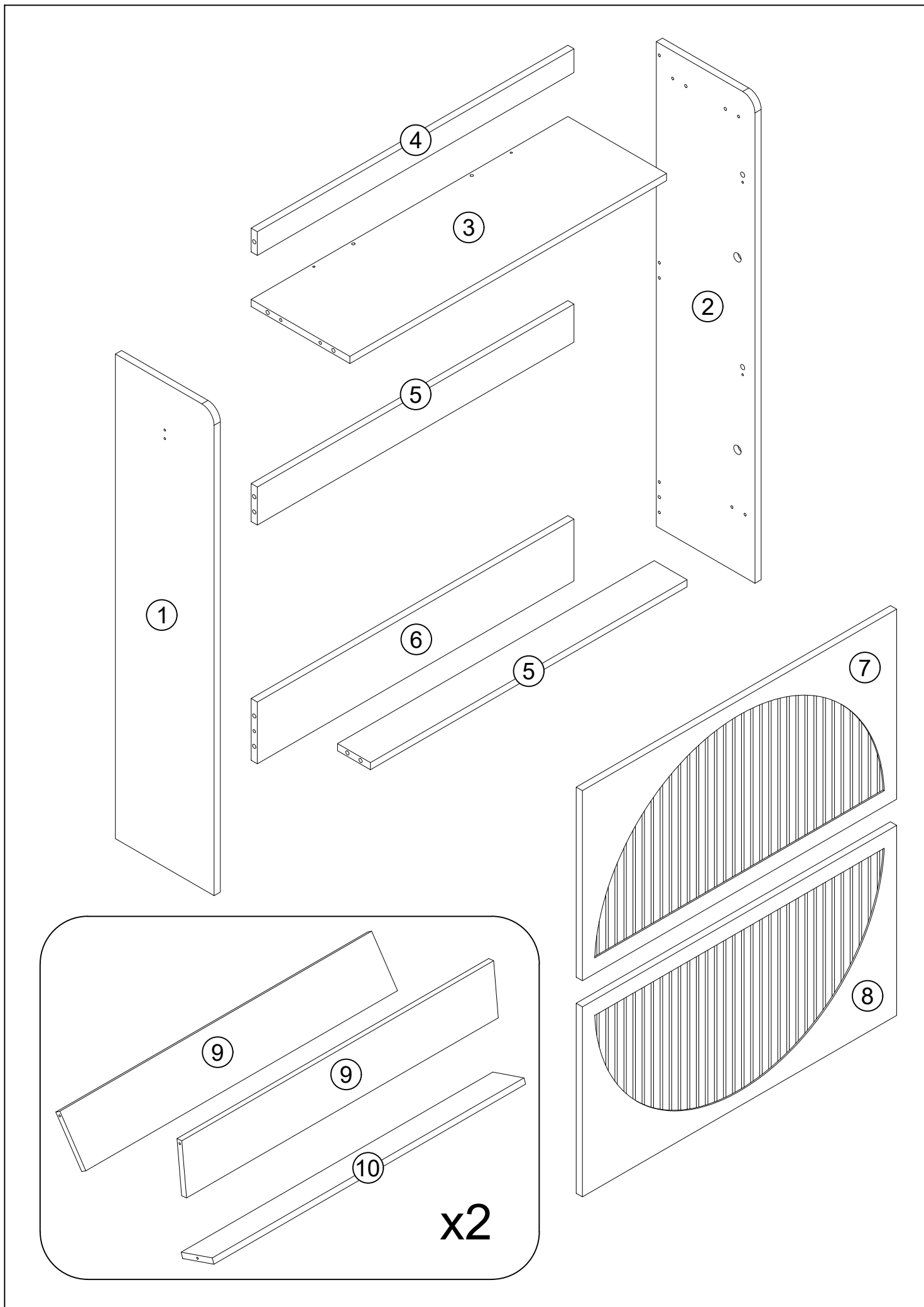


# Shoe Cabinet

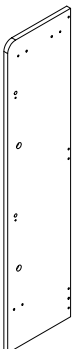

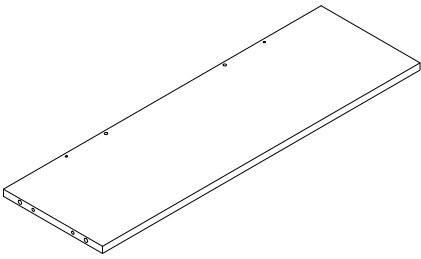
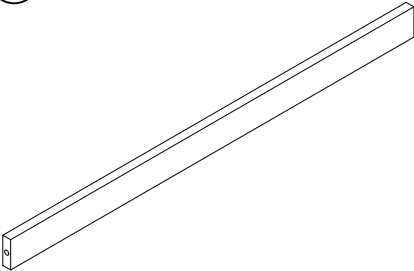
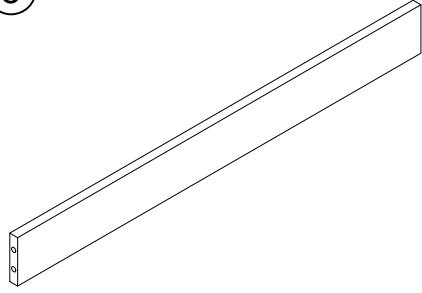
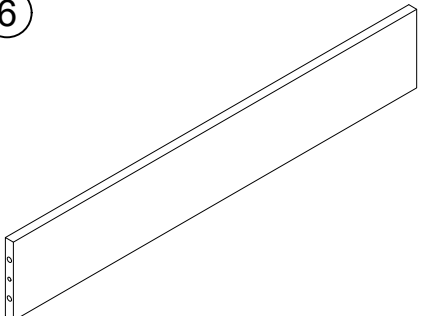
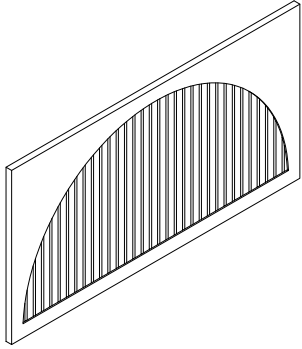
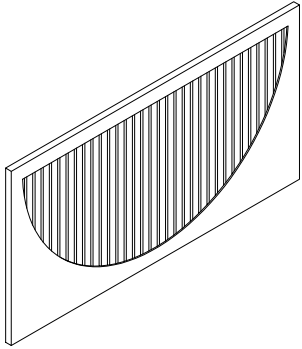
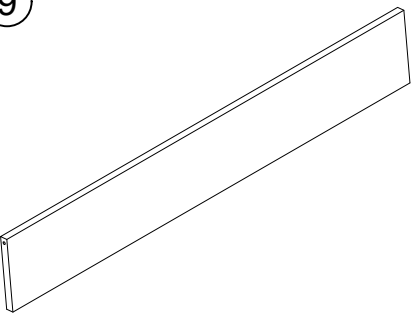
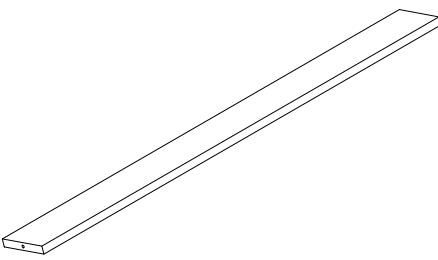
## Installation Instructions



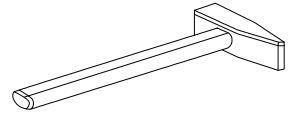
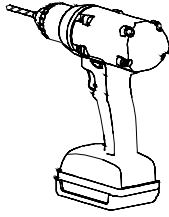
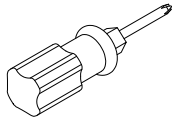
# Disassemble Diagram



# Components Part List

<p>①</p>  <p>x1</p>	<p>②</p>  <p>x1</p>	<p>③</p>  <p>x1</p>
<p>④</p>  <p>x1</p>	<p>⑤</p>  <p>x2</p>	<p>⑥</p>  <p>x1</p>
<p>⑦</p>  <p>x1</p>	<p>⑧</p>  <p>x1</p>	<p>⑨</p>  <p>x4</p>
<p>⑩</p>  <p>x2</p>		

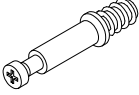

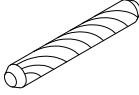
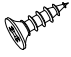
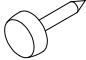
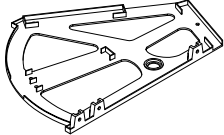
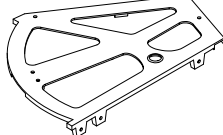


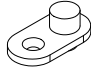
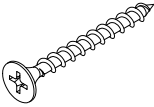
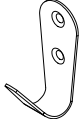
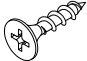
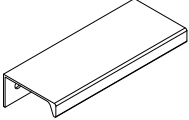


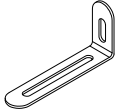
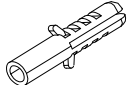

# Installation Recommendations



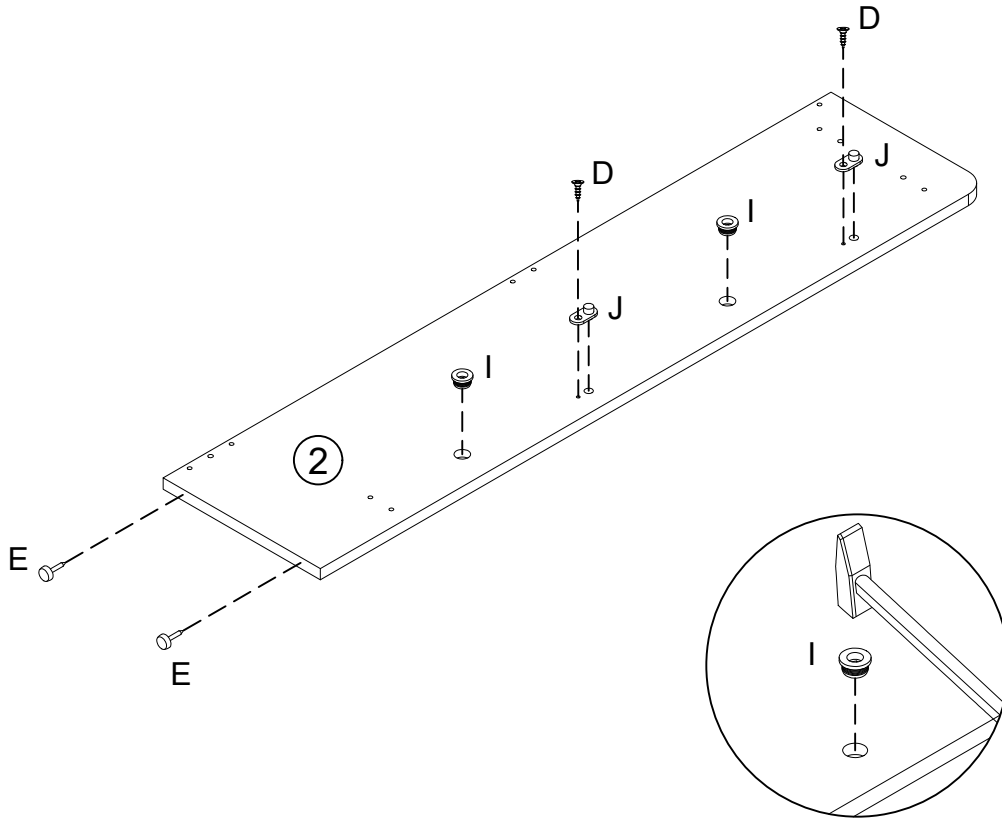
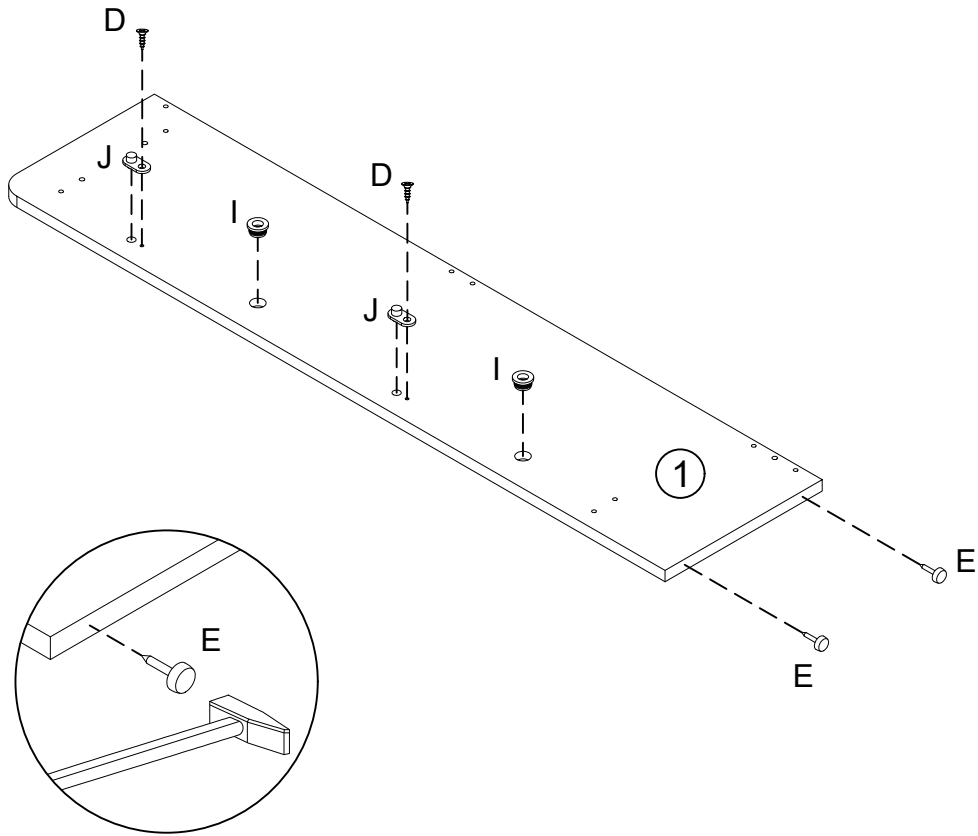
## Note:





- 1.Recommend using tools such as a screwdriver, electric drill, and small hammer for the installation.
- 2.Recommend that two people collaborate to complete the installation.

# Hardware Part List

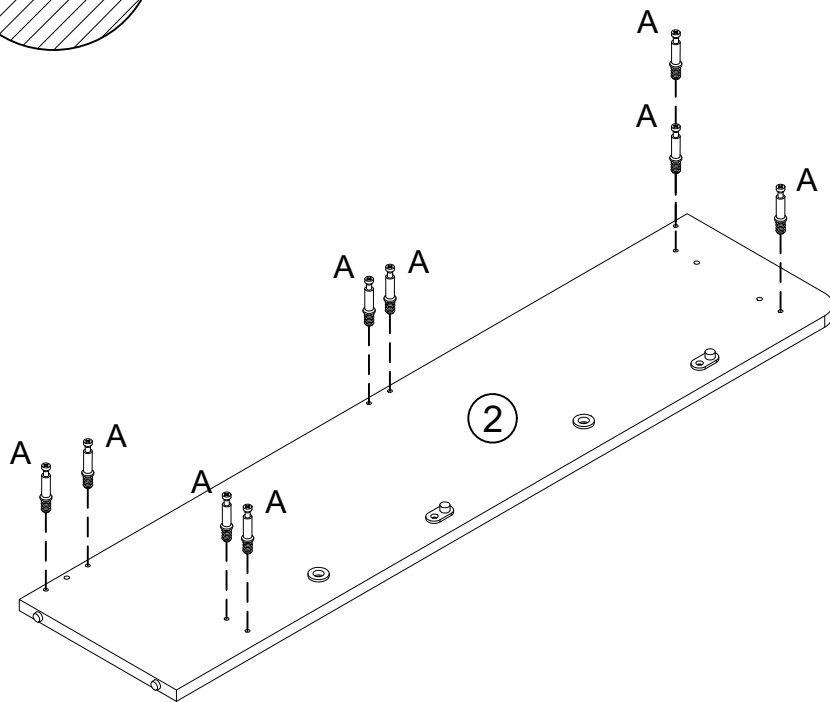
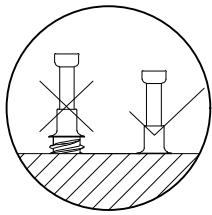
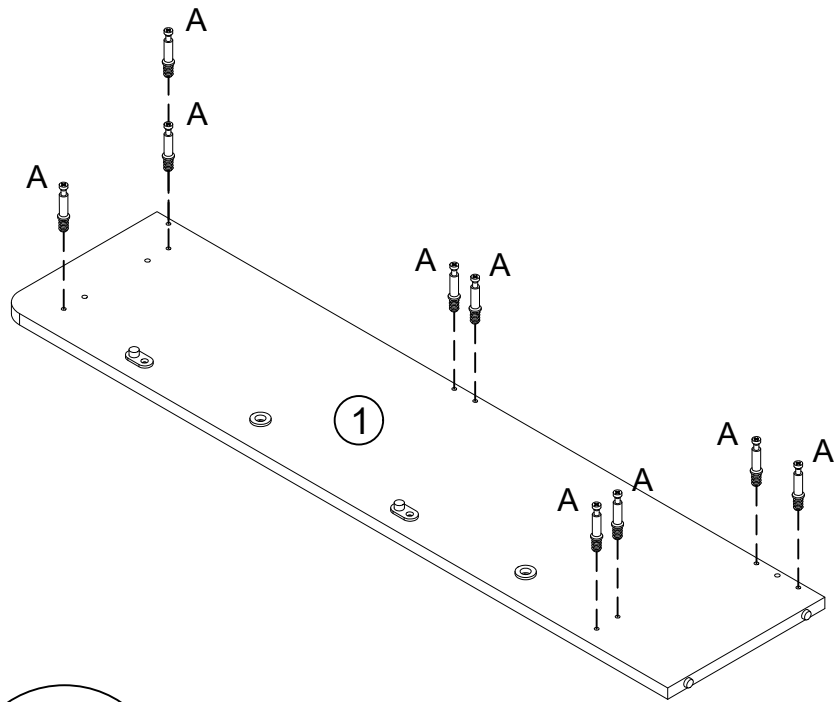
<b>A</b>	<b>x18+1</b>	<b>B</b>	<b>x18+1</b>	<b>C</b>	<b>x8+1</b>	<b>D</b>	<b>x8+1</b>
							
<b>M6x35mm</b>		<b>M15x10mm</b>		<b>M6x30mm</b>		<b>M3x12mm</b>	
<b>E</b>	<b>x4</b>	<b>F</b>	<b>x2</b>	<b>G</b>	<b>x2</b>	<b>H</b>	<b>x4</b>
							
<b>I</b>	<b>x4</b>	<b>J</b>	<b>x4</b>	<b>K</b>	<b>x4</b>	<b>L</b>	<b>x2</b>
							
				<b>M4x35mm</b>			
<b>M</b>	<b>x24</b>	<b>N</b>	<b>x2</b>	<b>O</b>	<b>x4</b>	<b>P</b>	<b>x2</b>
							
<b>M4x16mm</b>				<b>M4x8mm</b>		<b>M4x12mm</b>	
<b>Q</b>	<b>x2</b>	<b>R</b>	<b>x2</b>	<b>S</b>	<b>x4</b>		
							
				<b>M3x12mm</b>			

# STEP 1



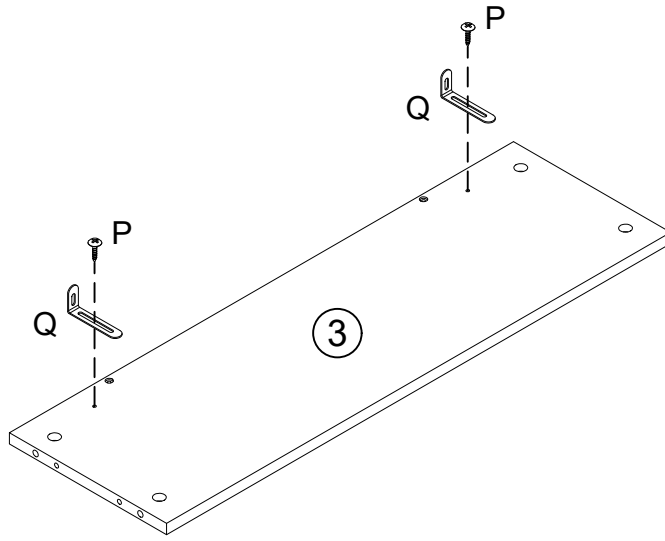
	Dx4		Ex4
	Ix4		Jx4



# STEP 2



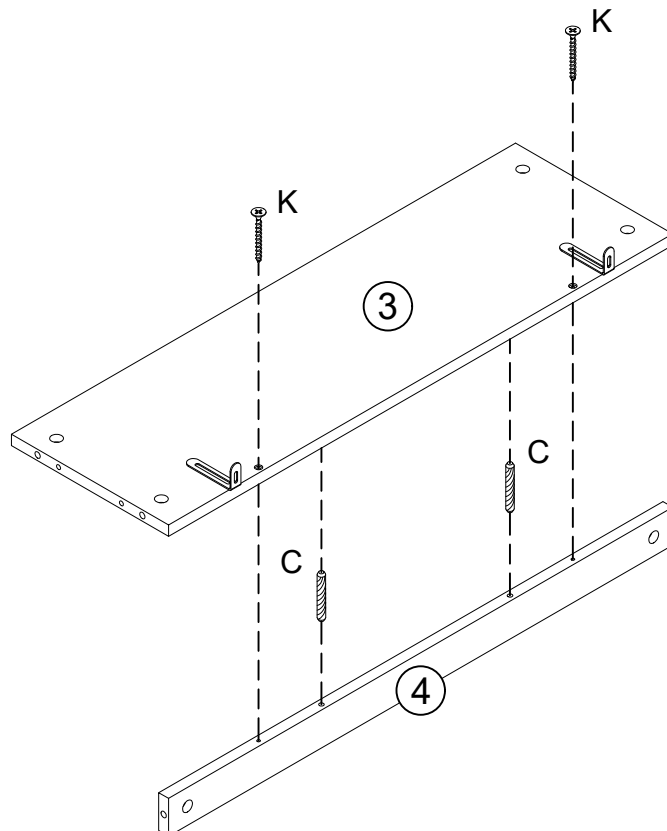
Ax18



# STEP 3



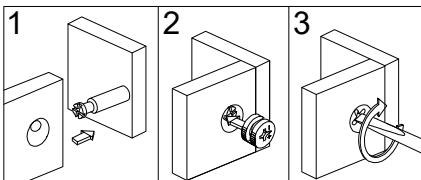
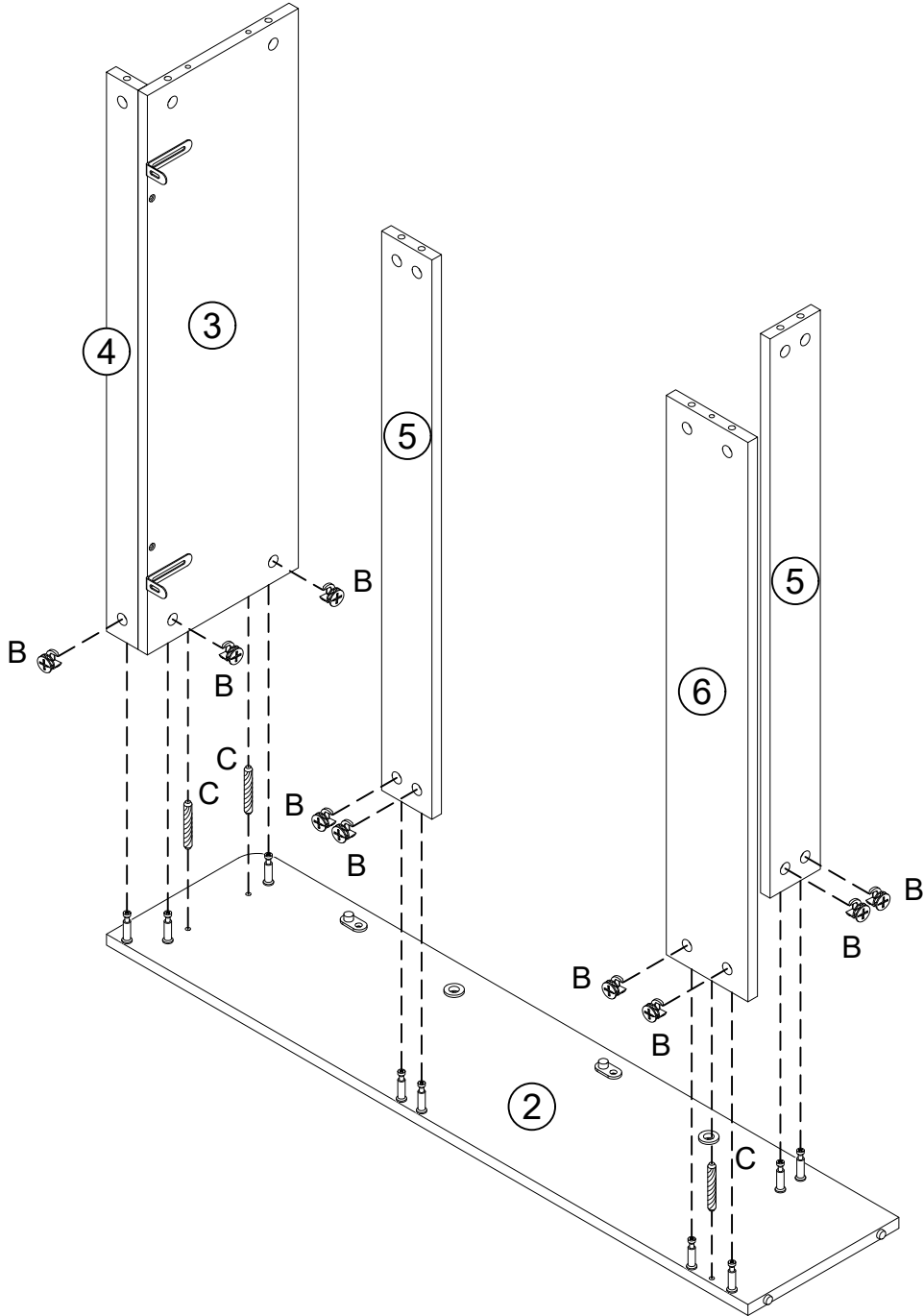
	Px2
	Qx2



# STEP 4



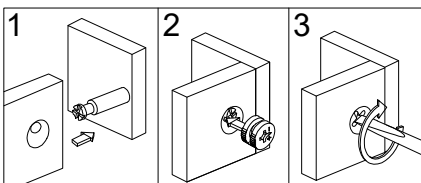
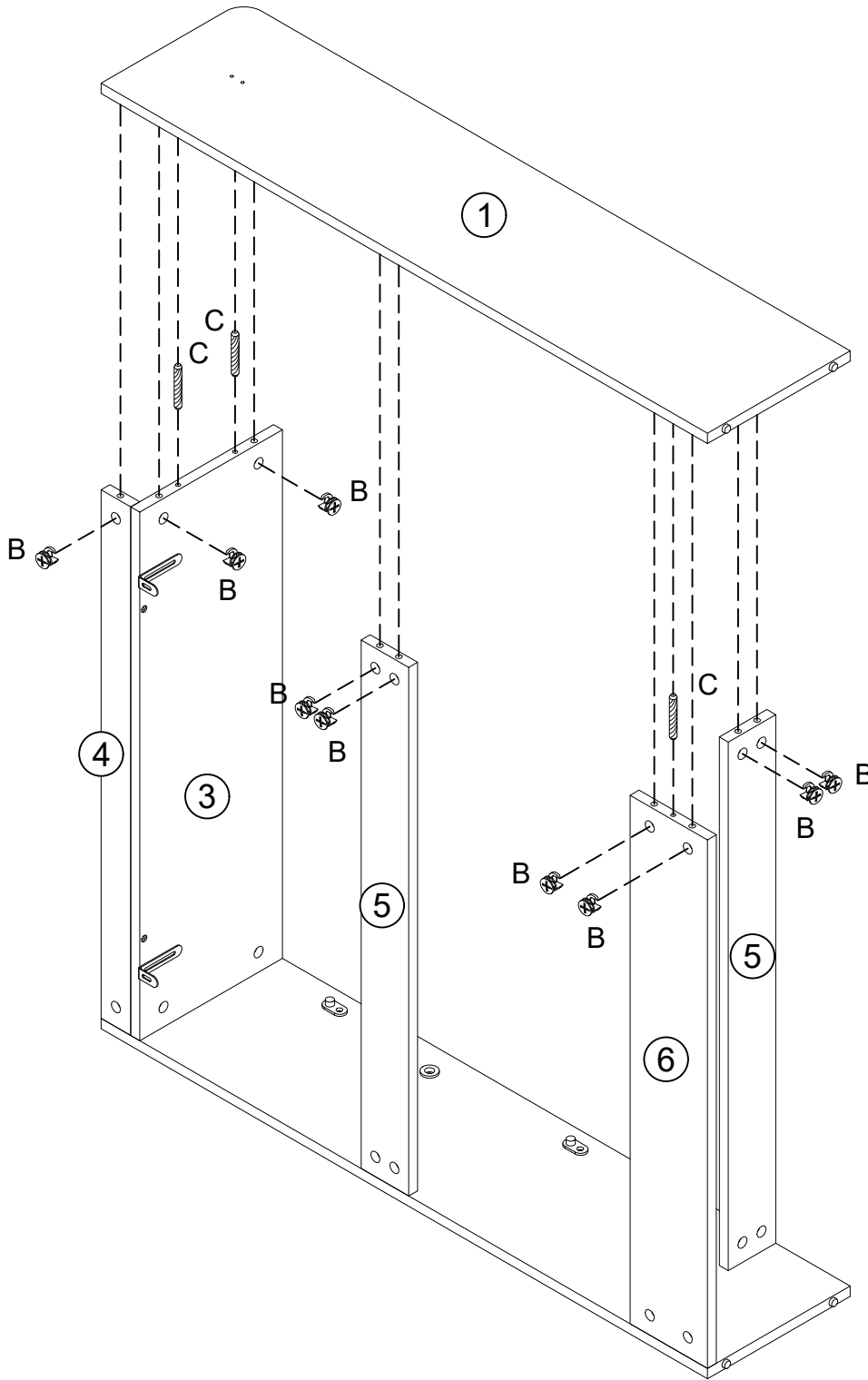
	Cx2
	Kx2



# STEP 5



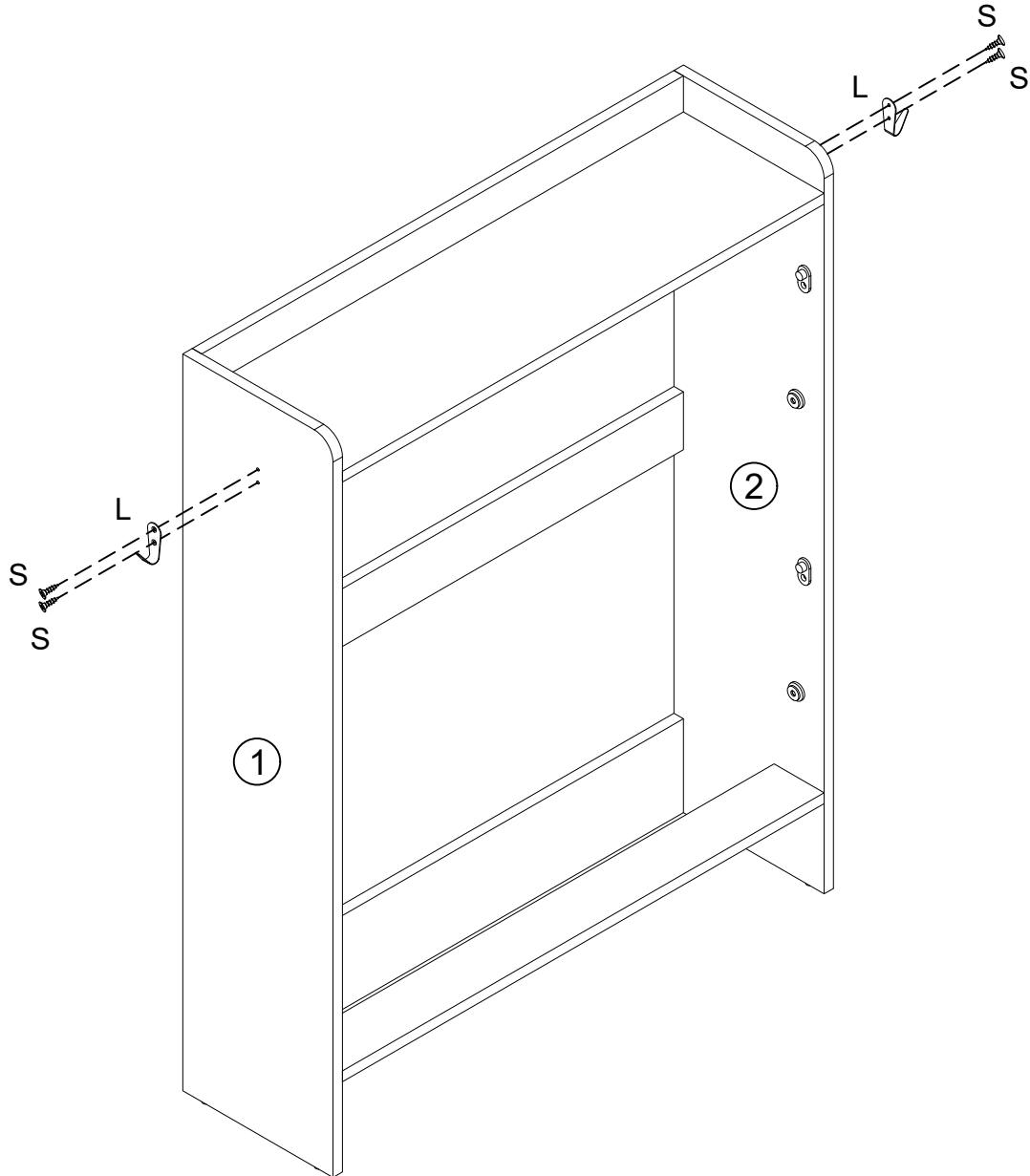
	Bx9
	Cx3



# STEP 6



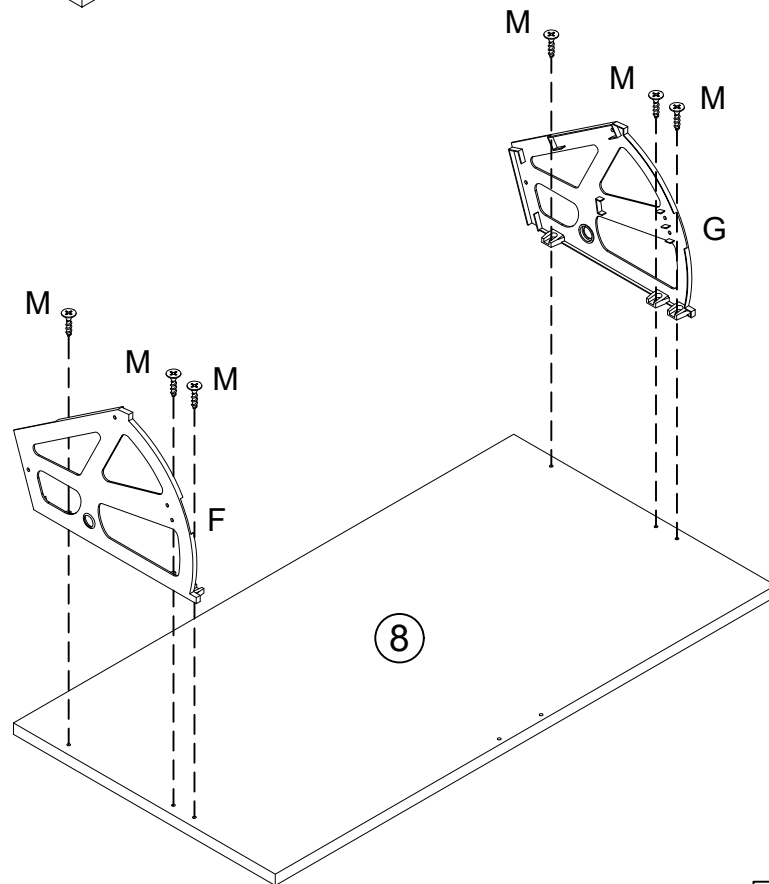
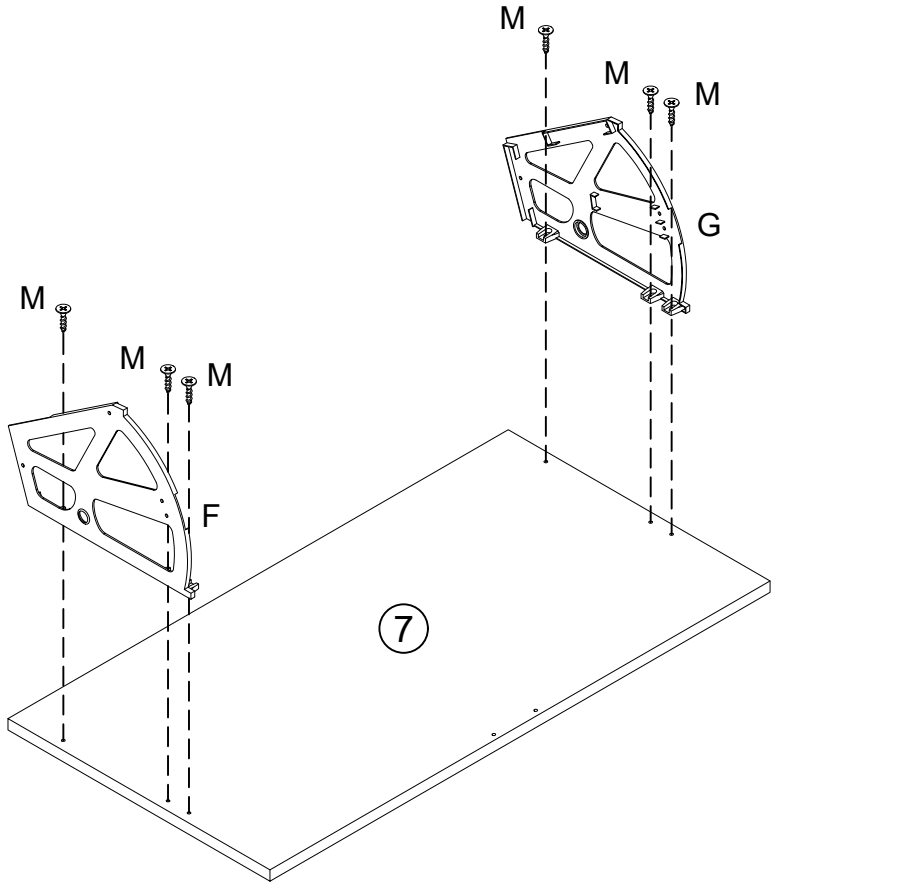
	Bx9
	Cx3




# STEP 7



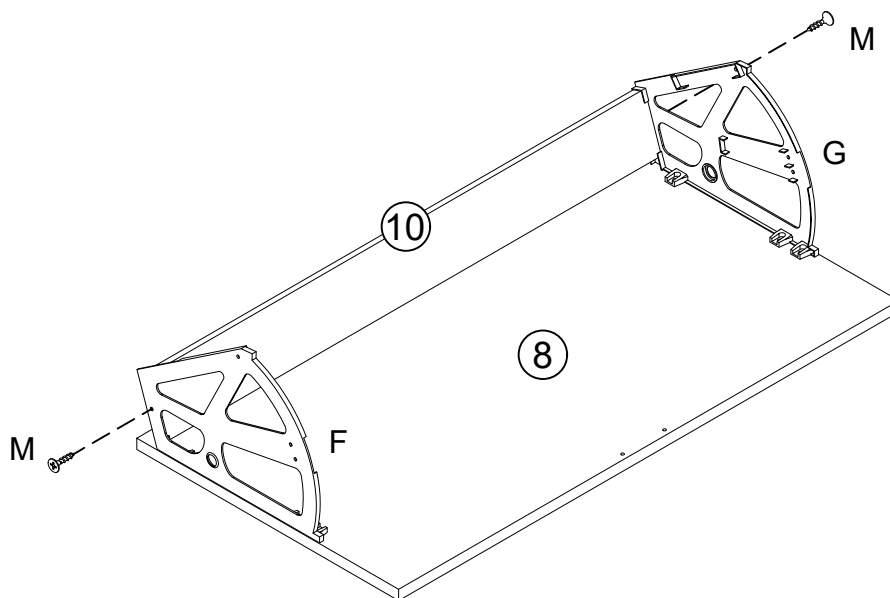
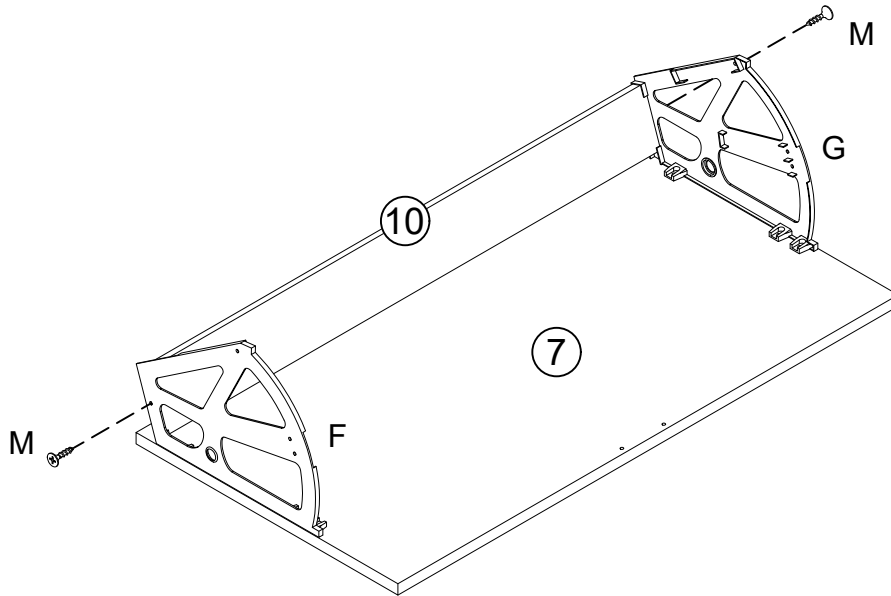
	Lx2
	Sx4

# STEP 8



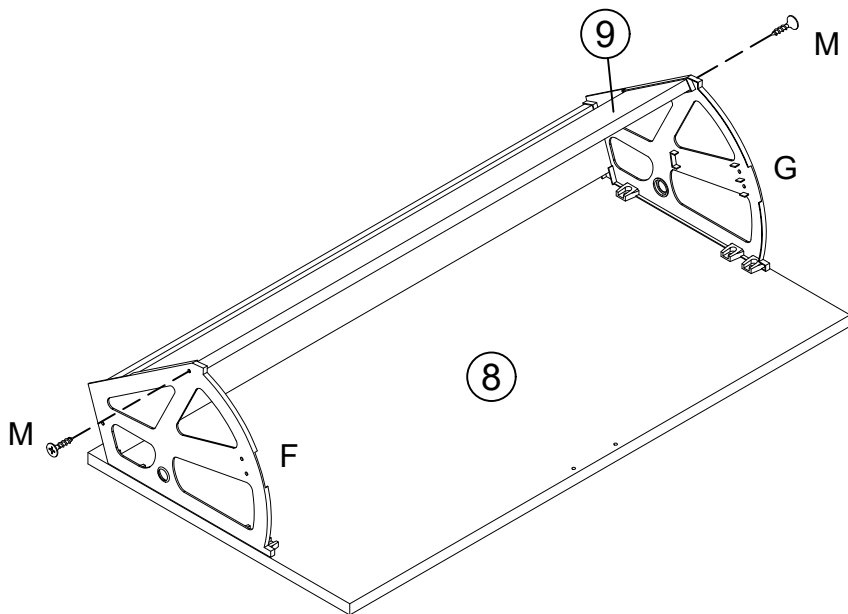
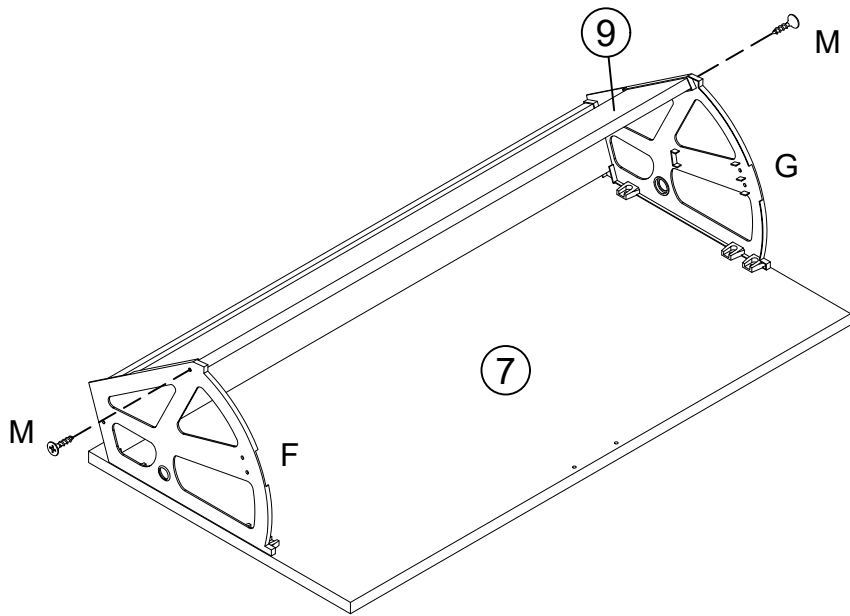
	Fx2
	Gx2
	Mx12

# STEP 9



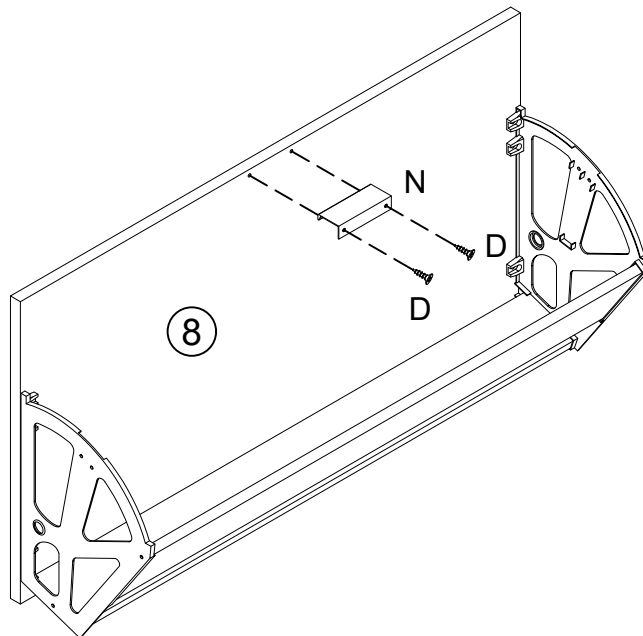
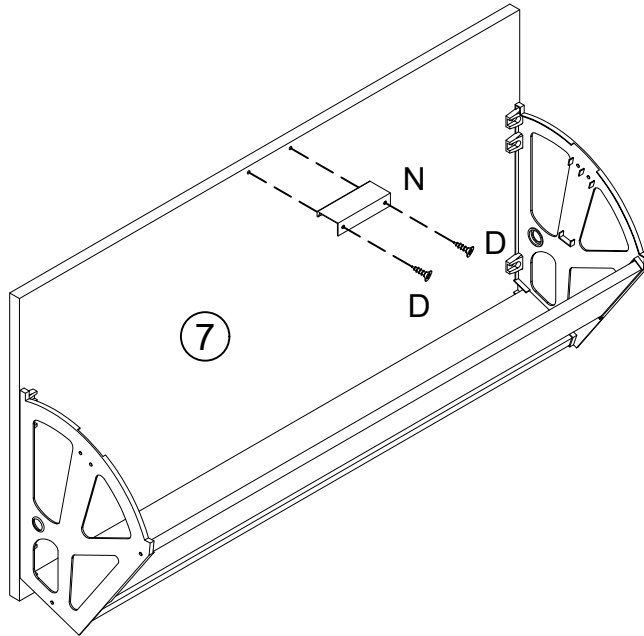
Mx4



# STEP 10



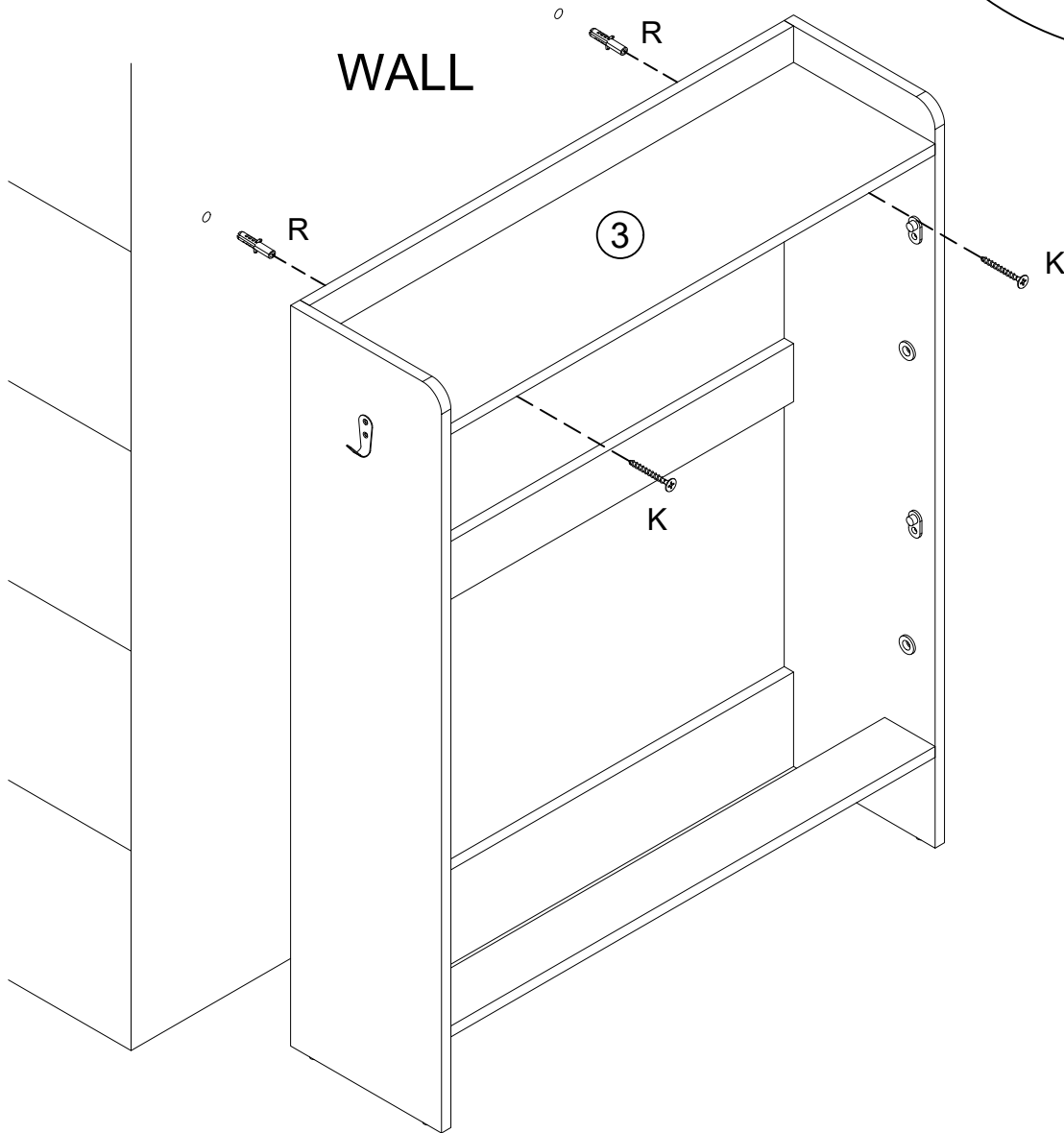
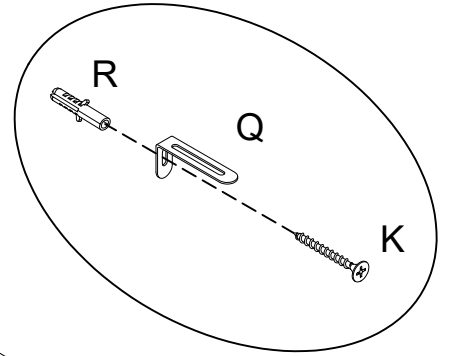
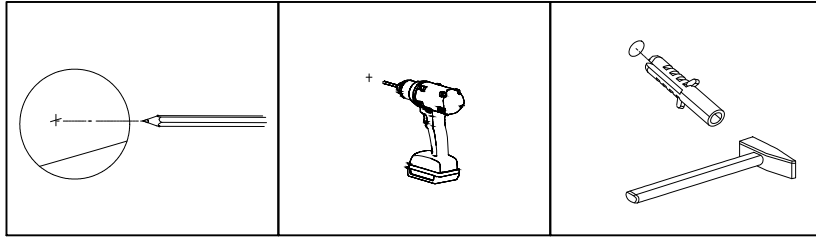
Mx4



# STEP 11



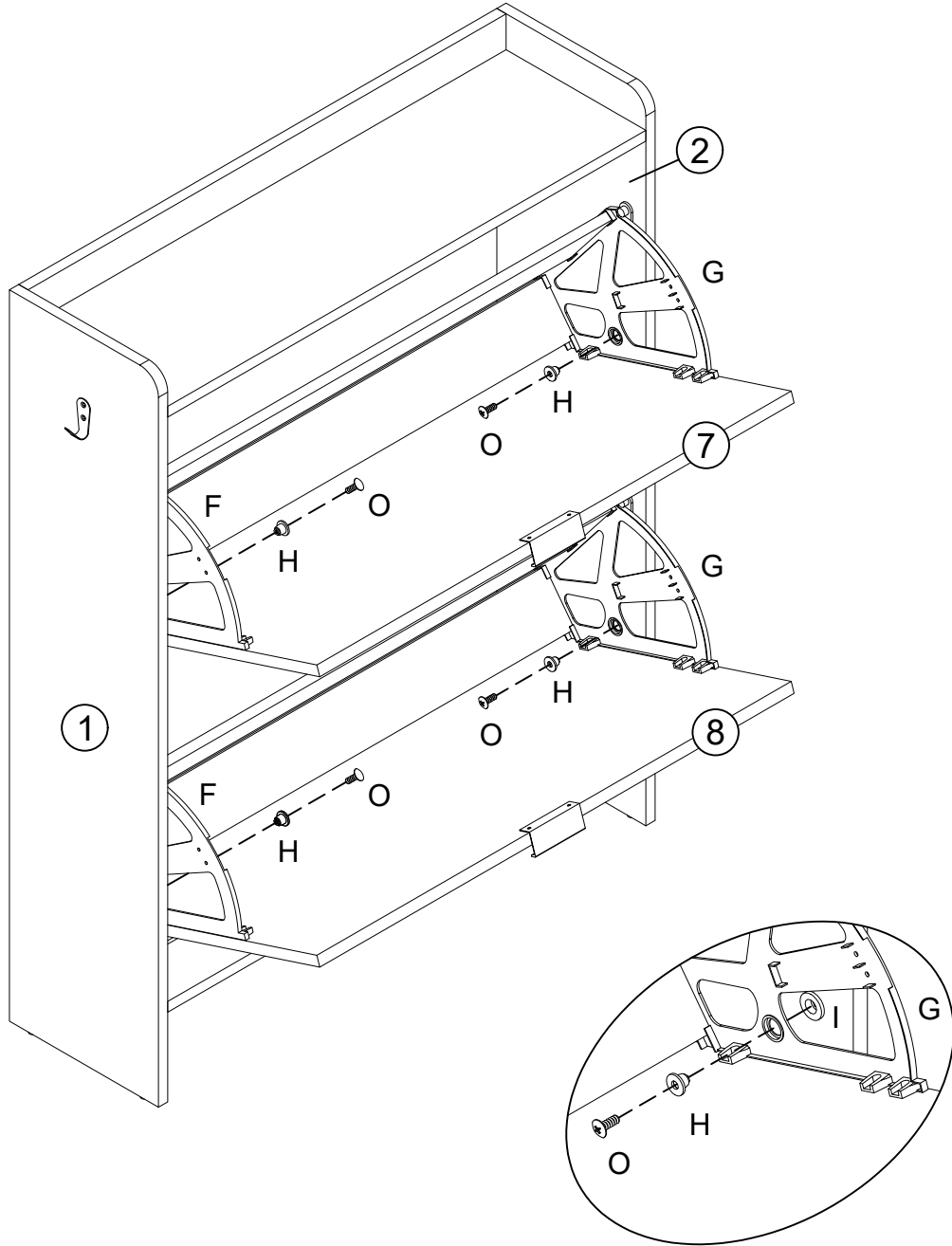
	Dx4
	Nx2



# STEP 12



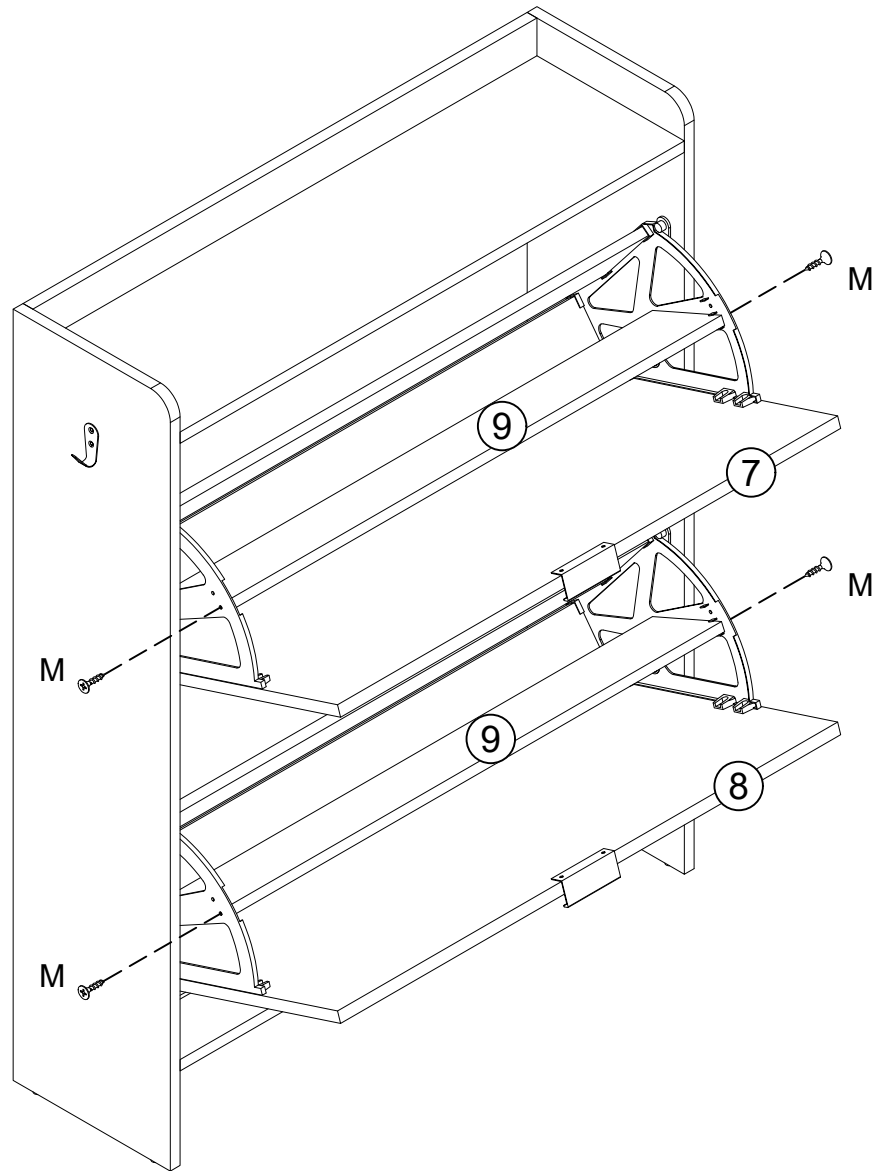
	Kx2
	Rx2

# STEP 13



	Hx4
	Ox4

# STEP 14



Mx4