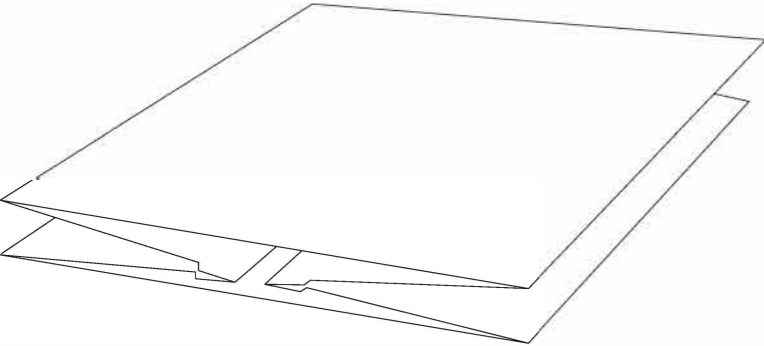
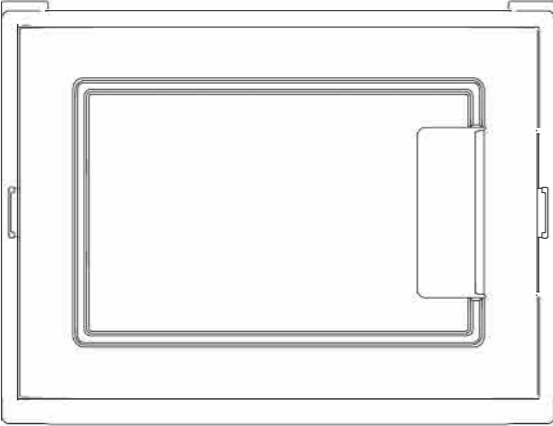
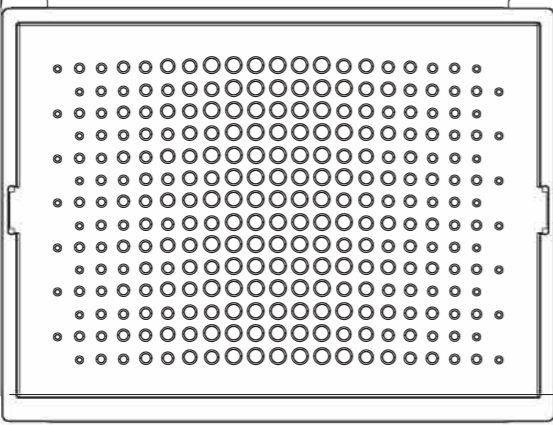


STACKABLE SHOE BOX

ASSEMBLY INSTRUCTIONS

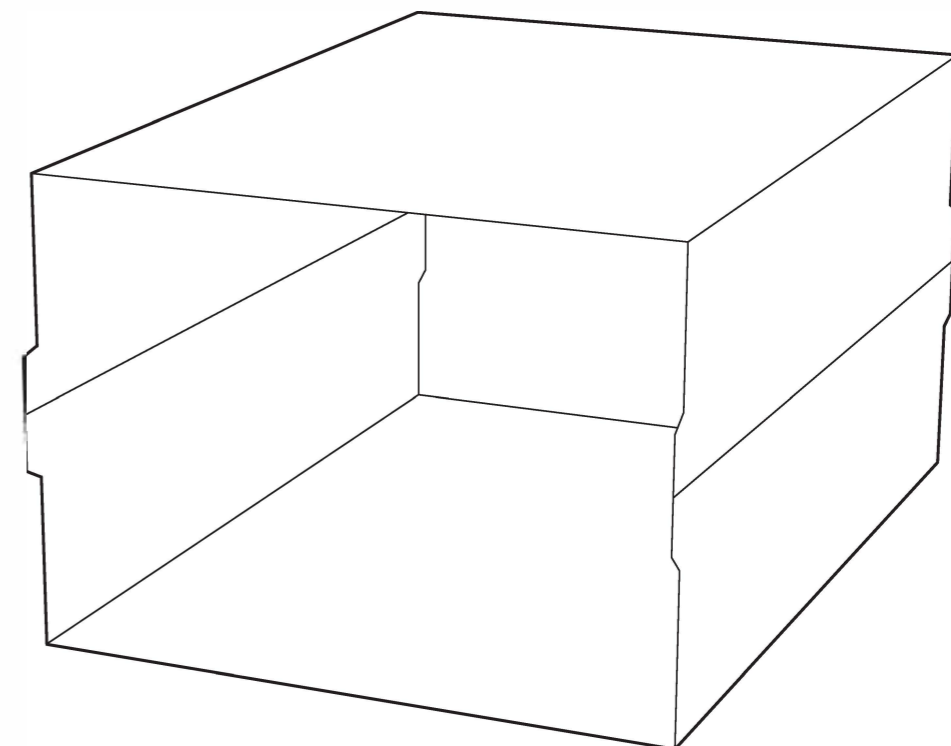
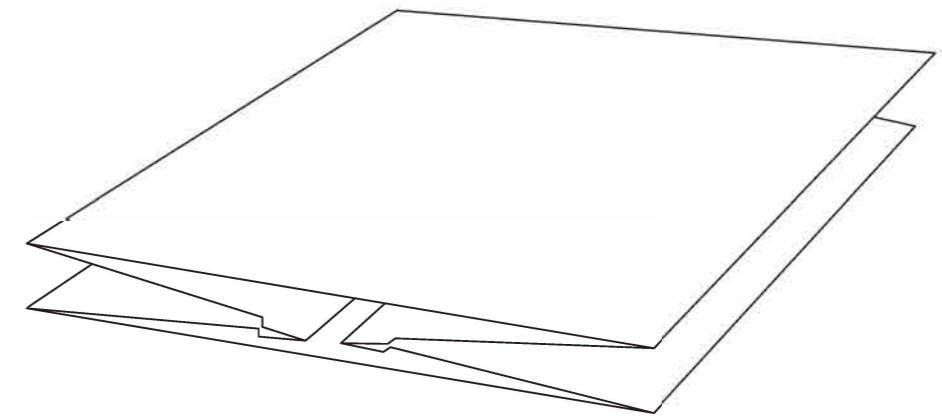
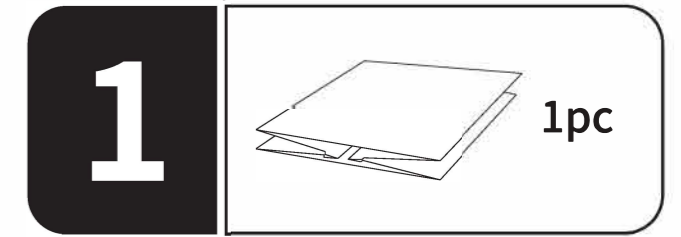


Attention: Take caution as the drawers are lightweight and can be pulled out by children.

Reference Image	Qty.
	X1
	X1
	X1

1

ASSEMBLY INSTRUCTIONS

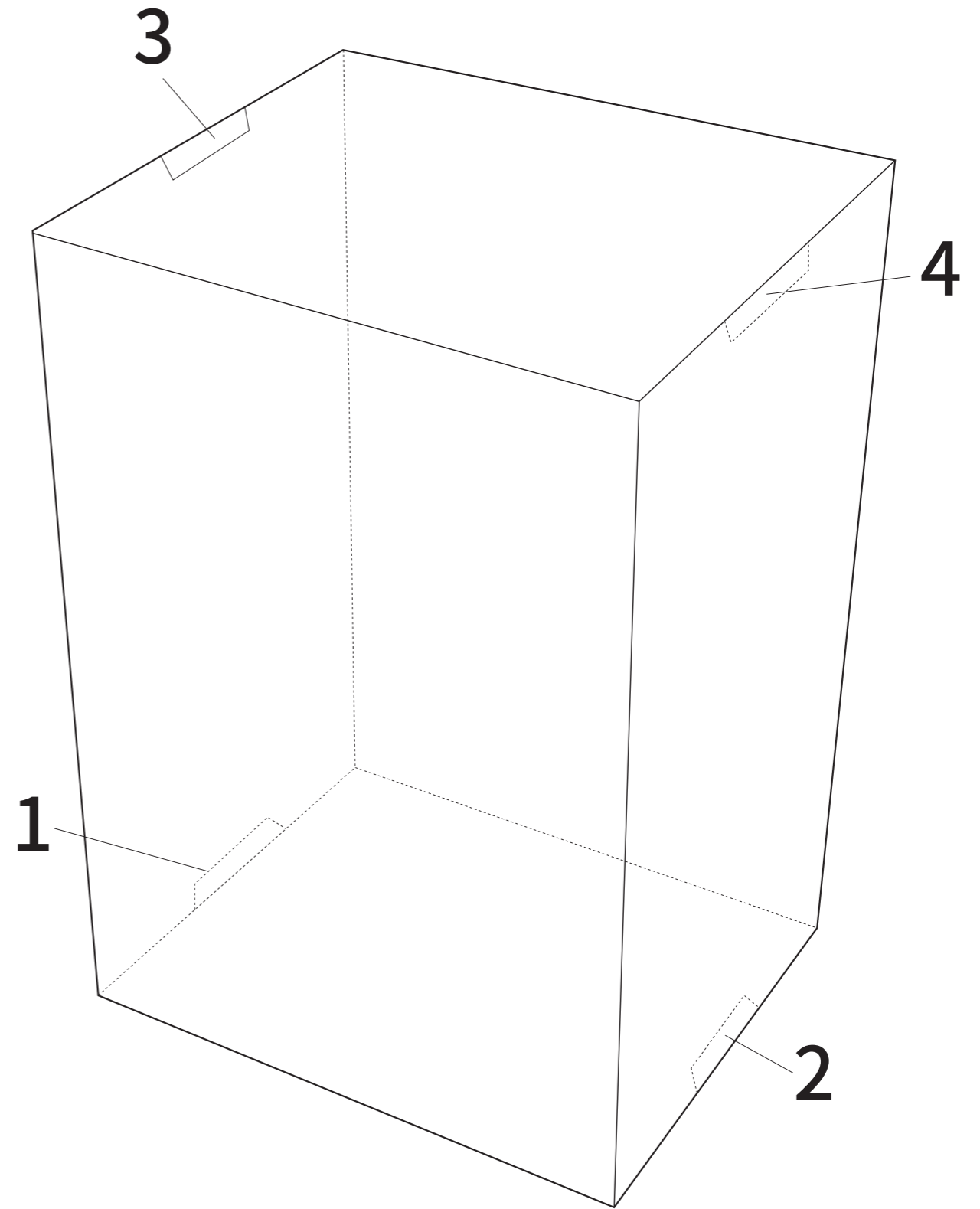
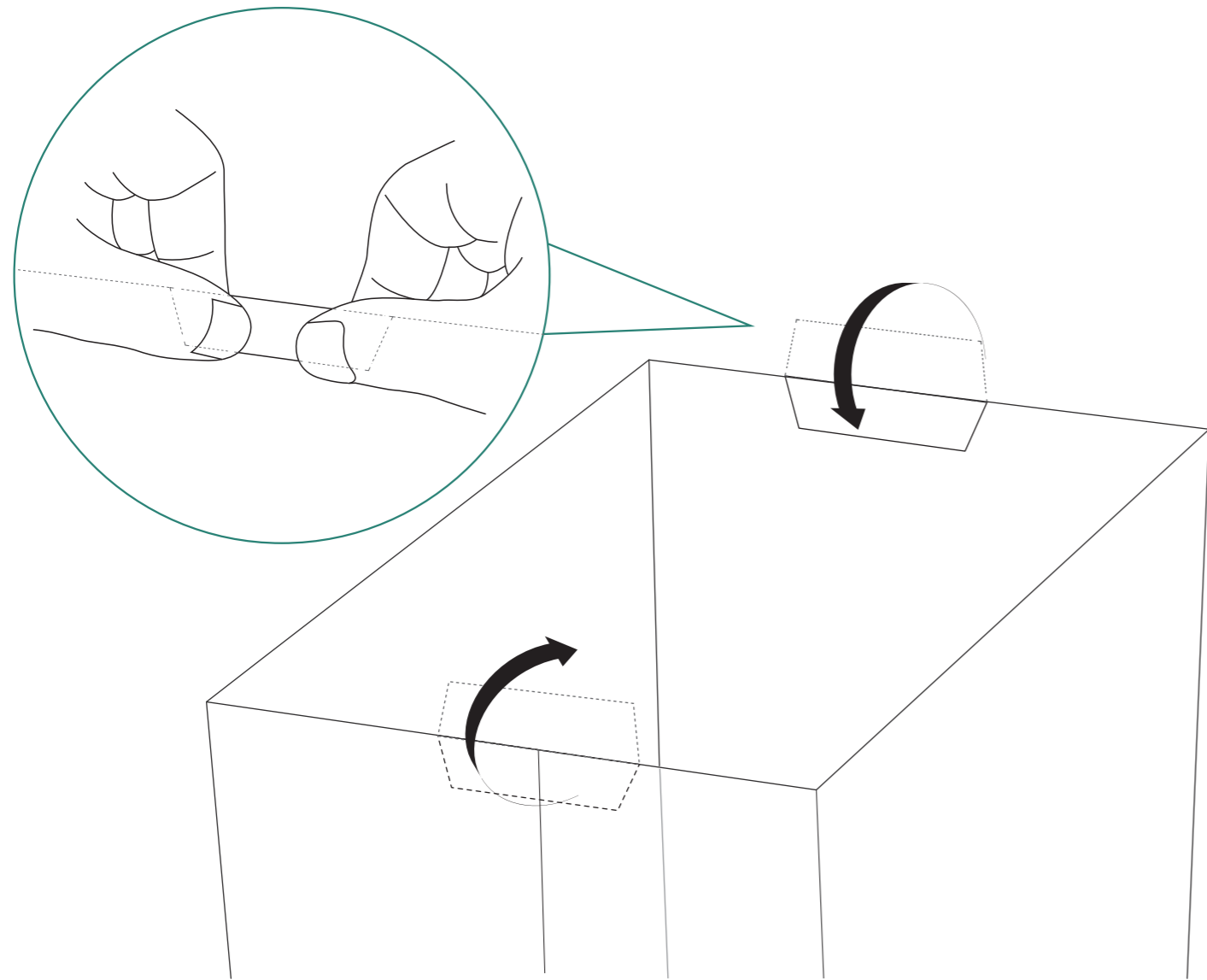


2

ASSEMBLY INSTRUCTIONS

ASSEMBLY INSTRUCTIONS

2

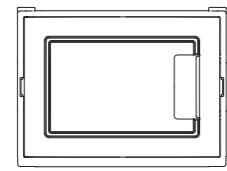


3

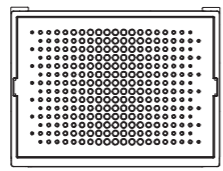
4

ASSEMBLY INSTRUCTIONS

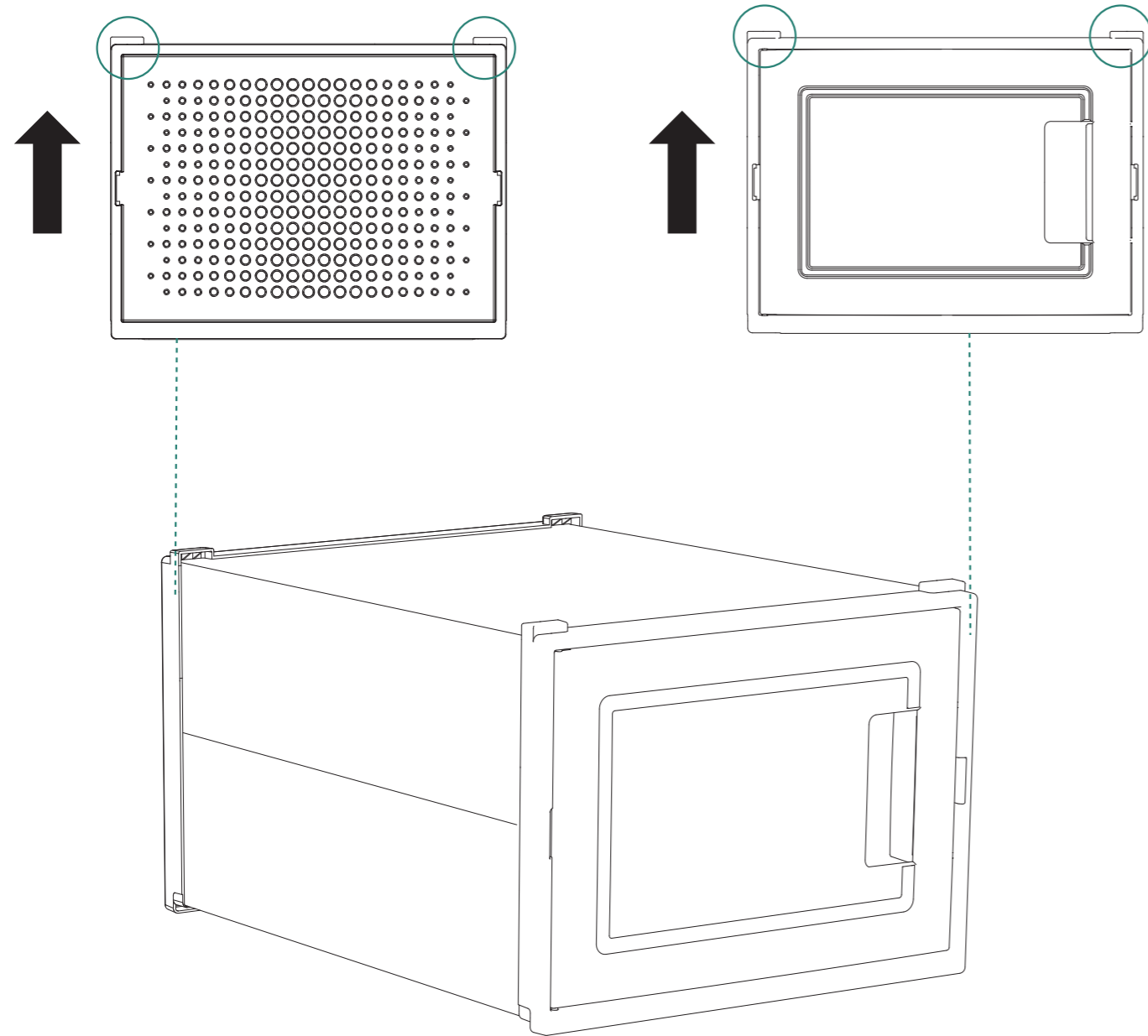
3



1pc



1pc



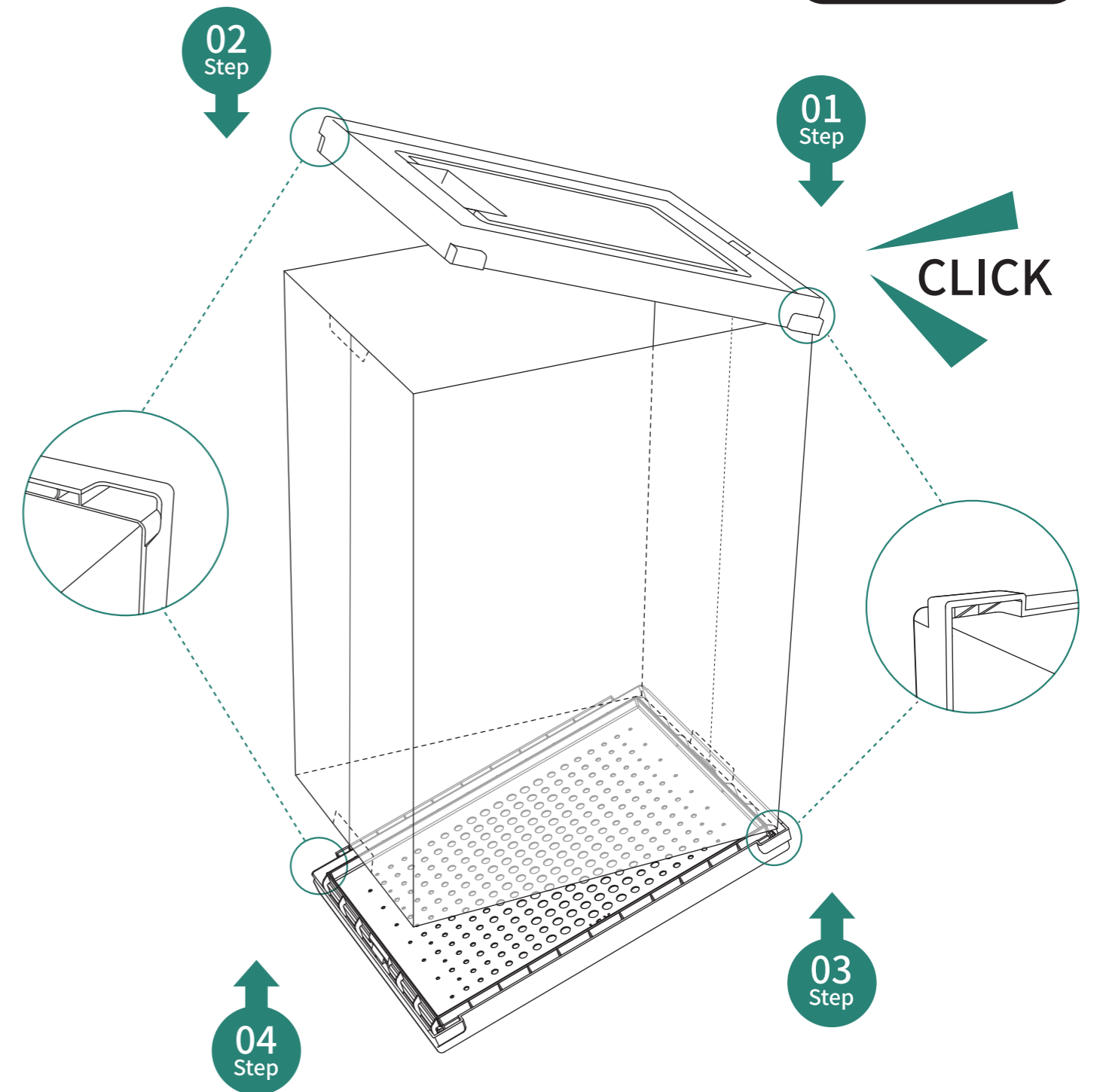
⚠ Attention:

Set both pieces facing the same direction, either upward or downward.

5

ASSEMBLY INSTRUCTIONS

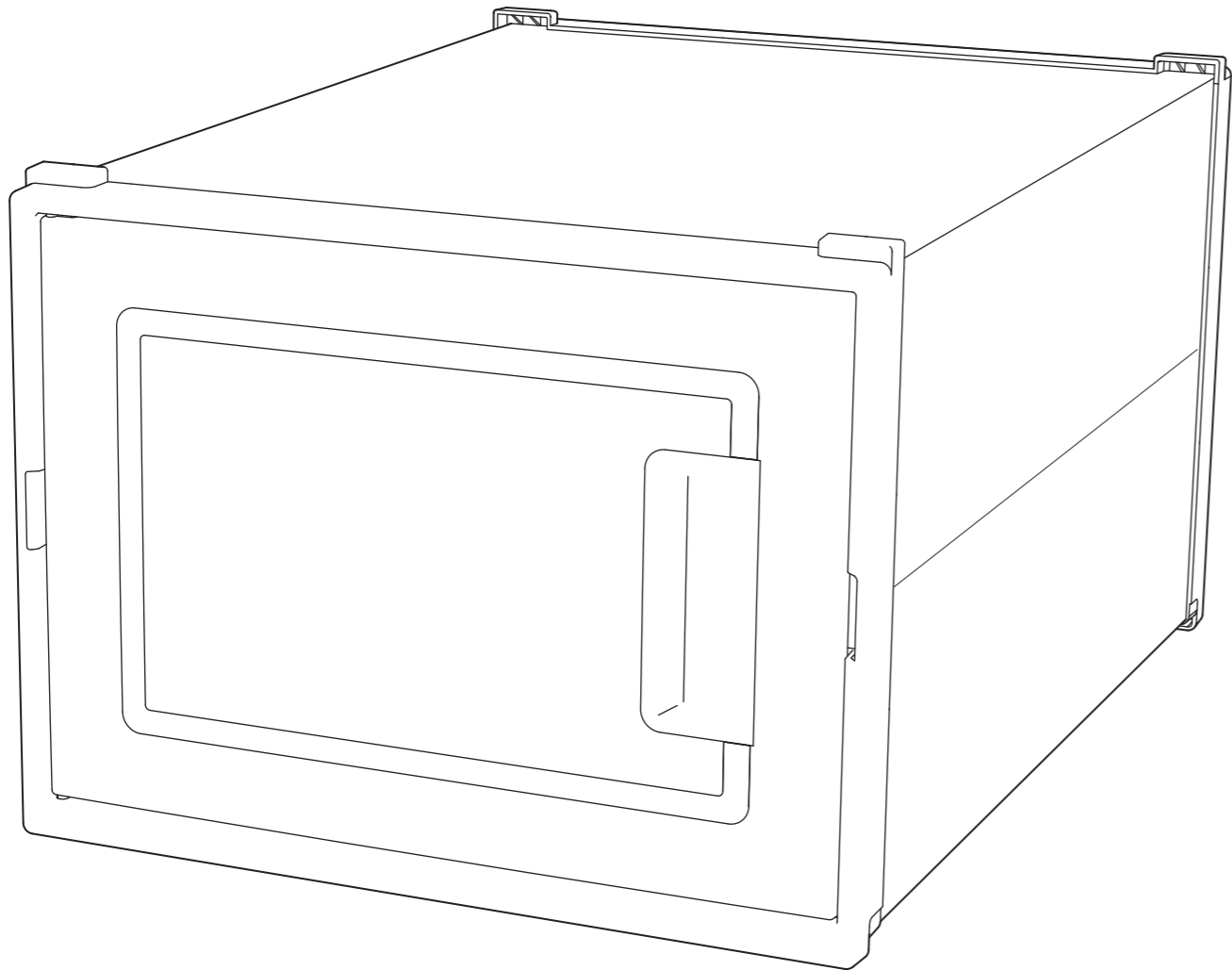
4



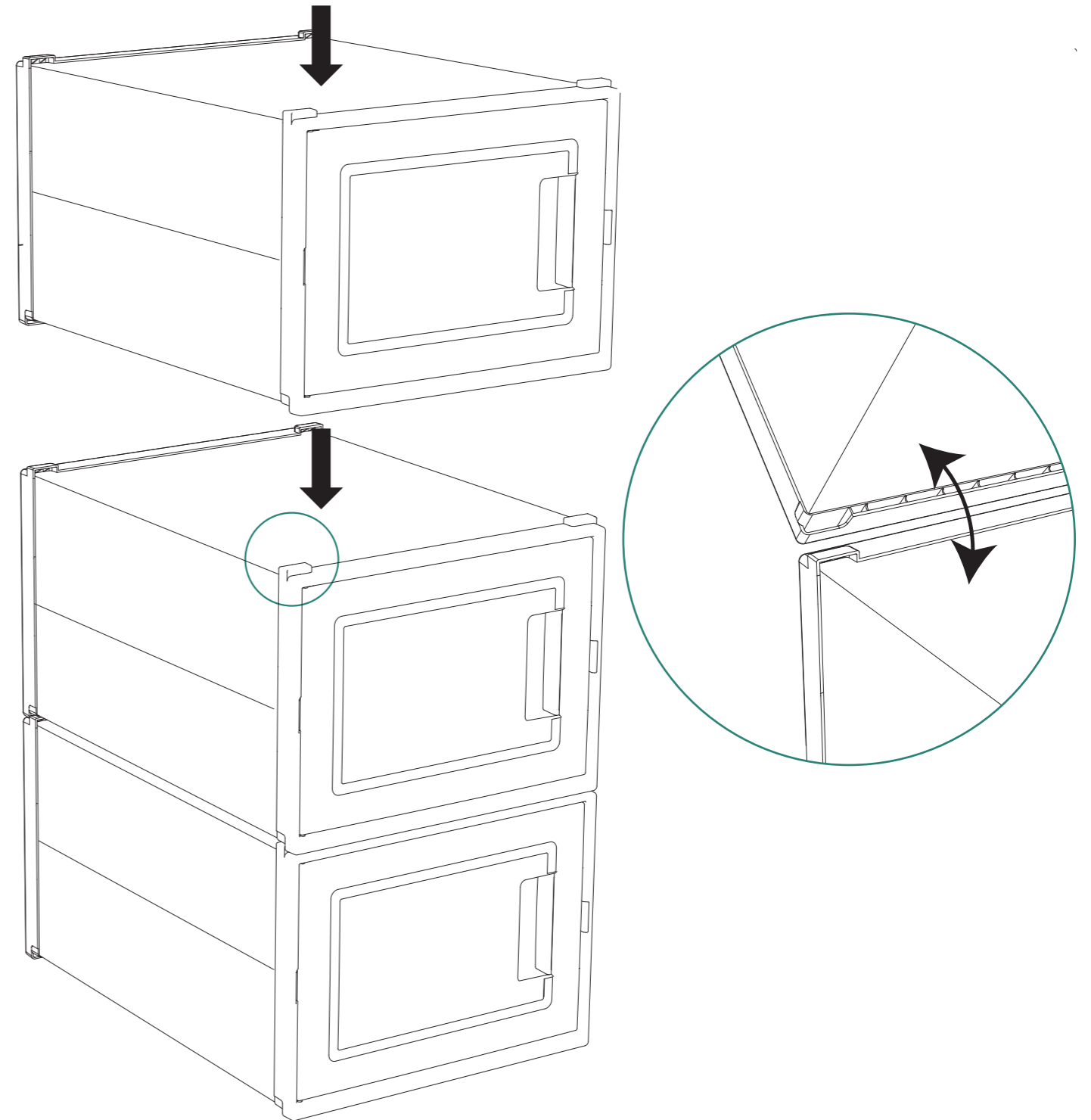
6

5

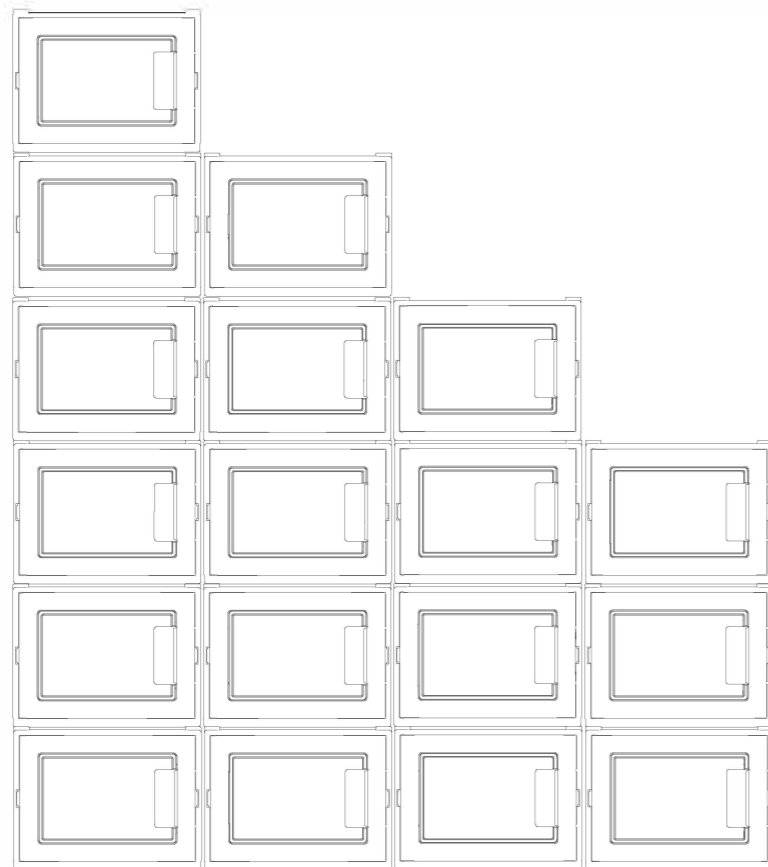
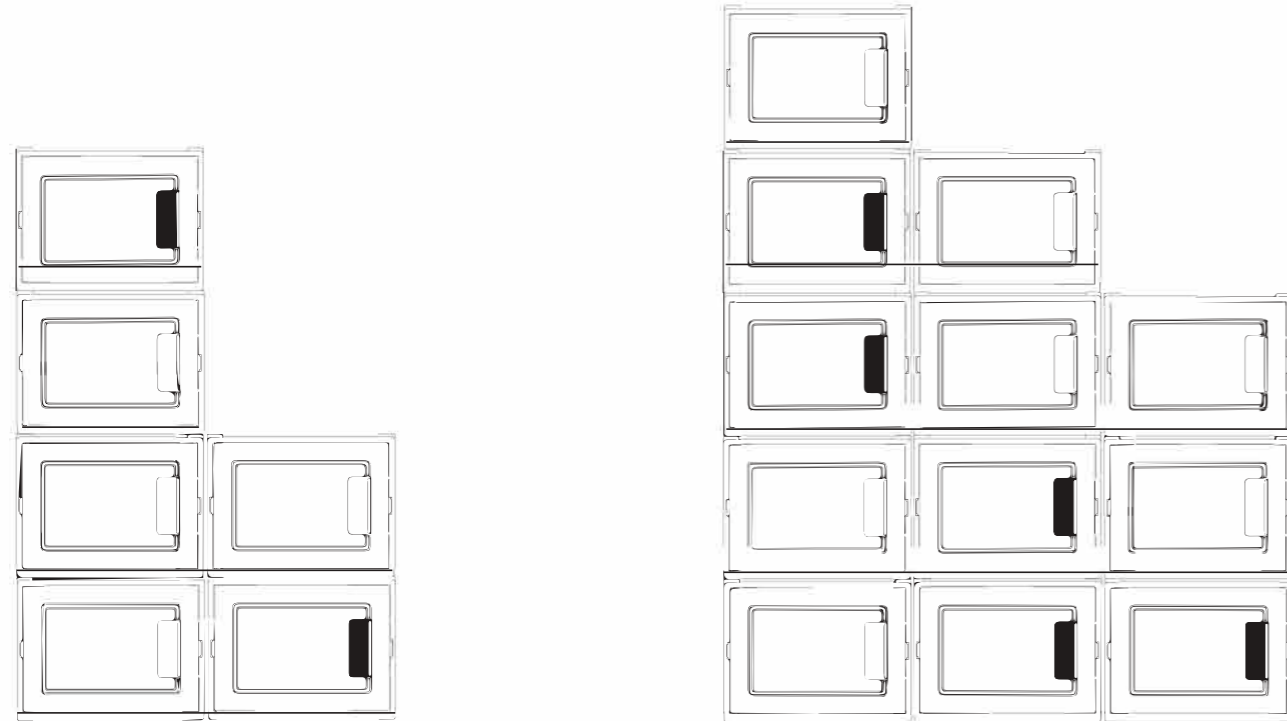
Assembly options



Installation Completed



ASSEMBLY INSTRUCTIONS



ASSEMBLY INSTRUCTIONS

Easy to disassemble

