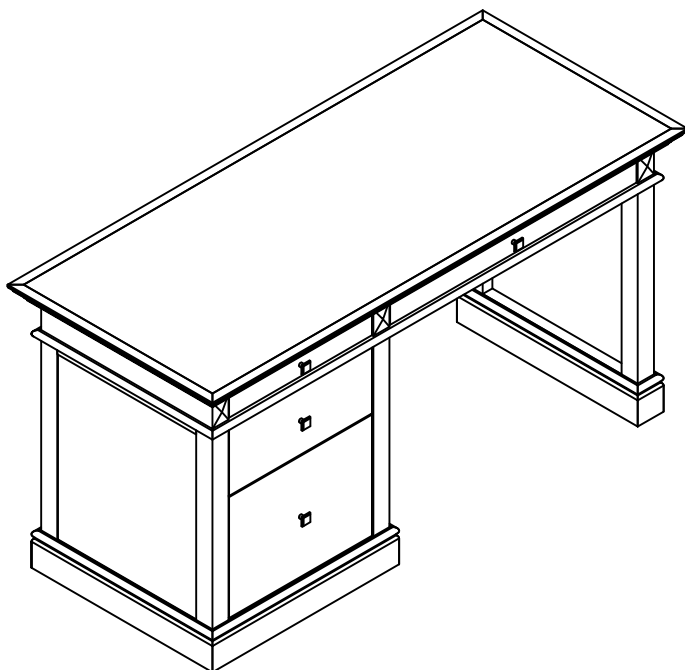


# FRANCESCO 4 DRAWER WOOD DESK

DESIGN #SFV4239

Assembly Instructions



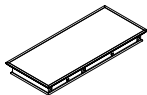
**SAFAVIEH**  
C O U T U R E

# Thanks for bringing Safavieh Couture into your home

Everything we make is incredibly simple to set up, including your new desk. You won't need any additional tools.

## Parts List

A x 1  
TABLE TOP



B x 1  
LEFT BASE



C x 1  
RIGHT BASE



## Hardware List

HW1 x 6  
Bolt M6x30mm



HW2 x 4  
Bolt M6x50mm



HW3 x 10  
Flat Washer M6x16mm



HW4 x 10  
Spring washer M6x10mm

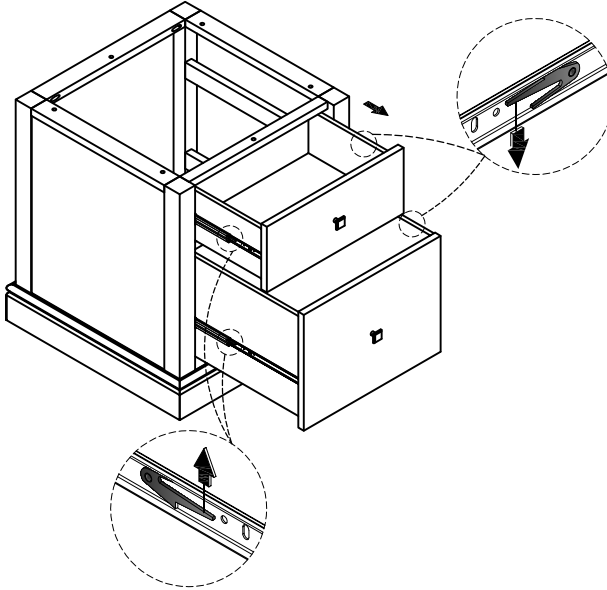


HW5 x 1  
Allen key



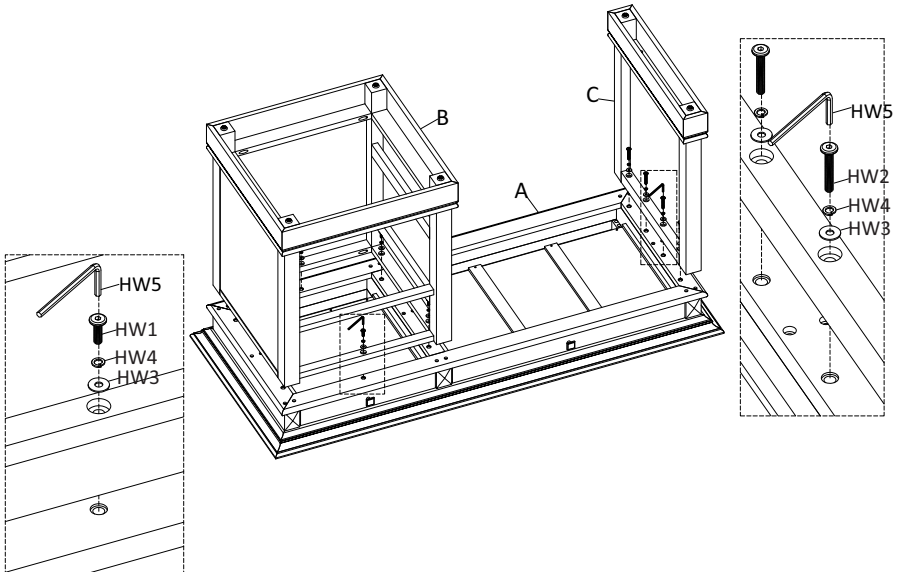
1

Remove the drawers from the table top (A). To remove the drawer, pull the latch on the left up while pushing the latch on the right down. Slide out the drawer.



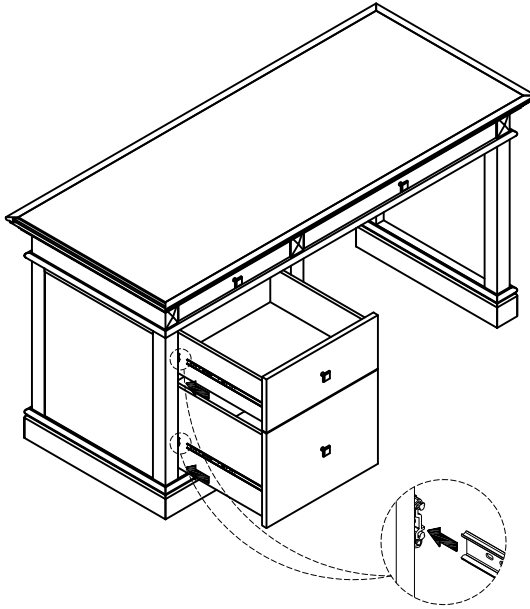
2

Place the Spring washers (HW4) and Flat washers (HW3) on the bolts (HW1) and bolts (HW2). Align the screw holes on the table top (A) to the screw holes on the base (B) & (C). Attach them by using the Allen key (HW5) to screw in the bolts (HW1), bolts (HW2) with the washers.



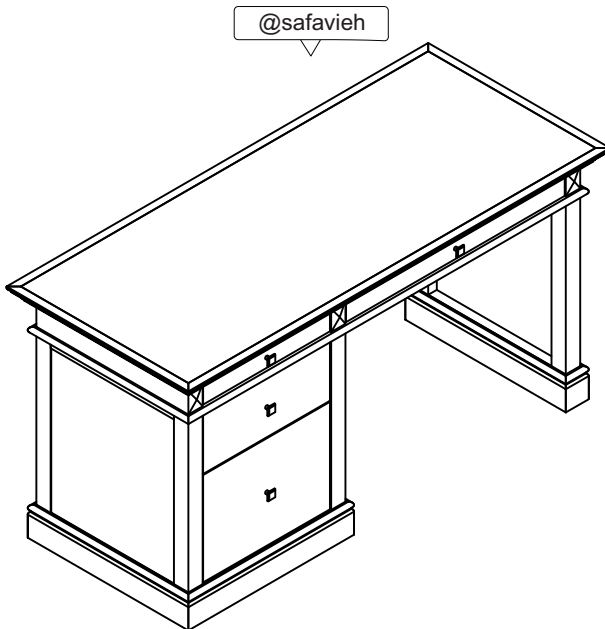
3

Slide the drawers back into the table top (A) by aligning the drawer glides and pushing them in.



4

Place the desk in the place where you will use it. We'd love to see it – just tag us (we're @safavieh) and use the hashtag #safavieh on Instagram!









**Need help?**

Feel free to contact us via email or call  
if you have any specific questions!

**contact us:**

[cs@safavieh.com](mailto:cs@safavieh.com)

866-422-9070