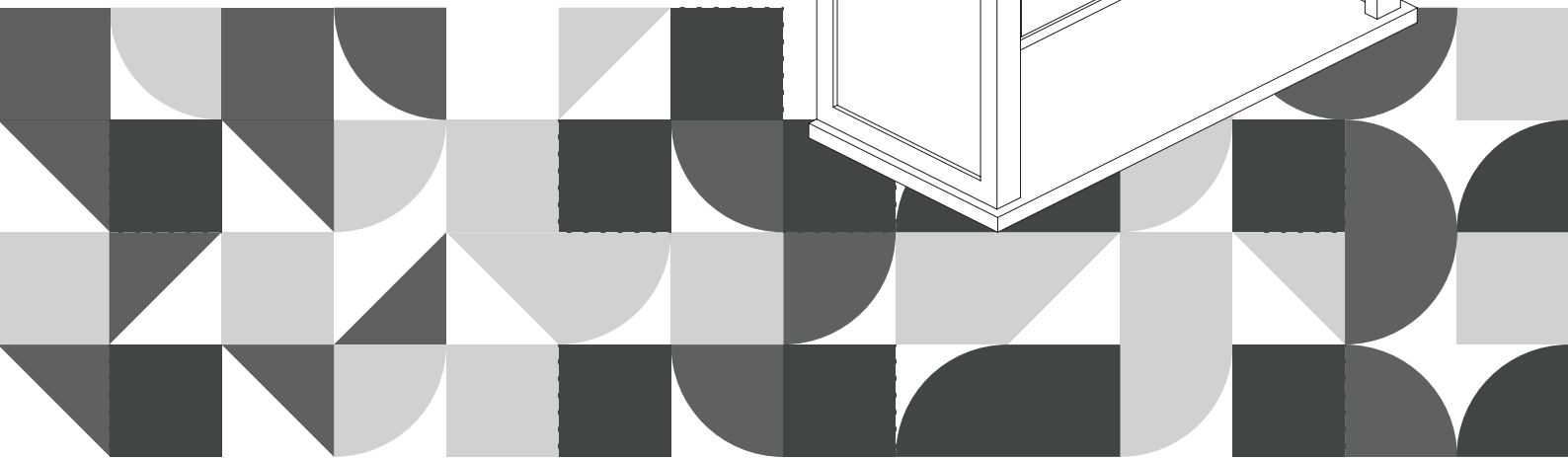
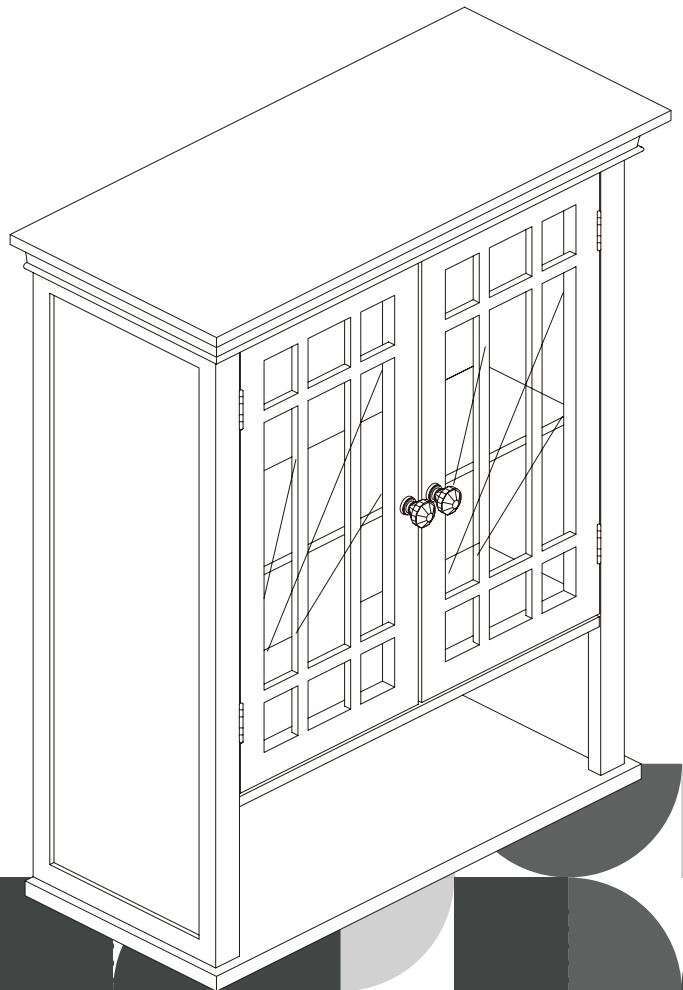


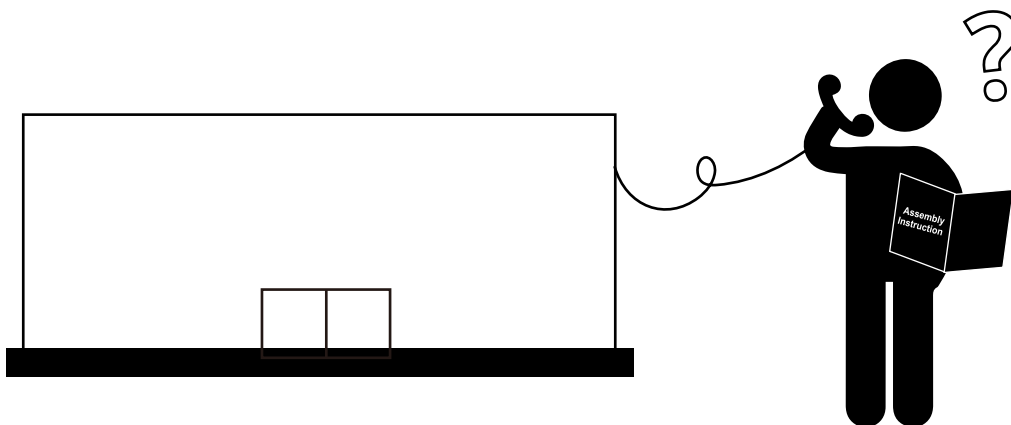
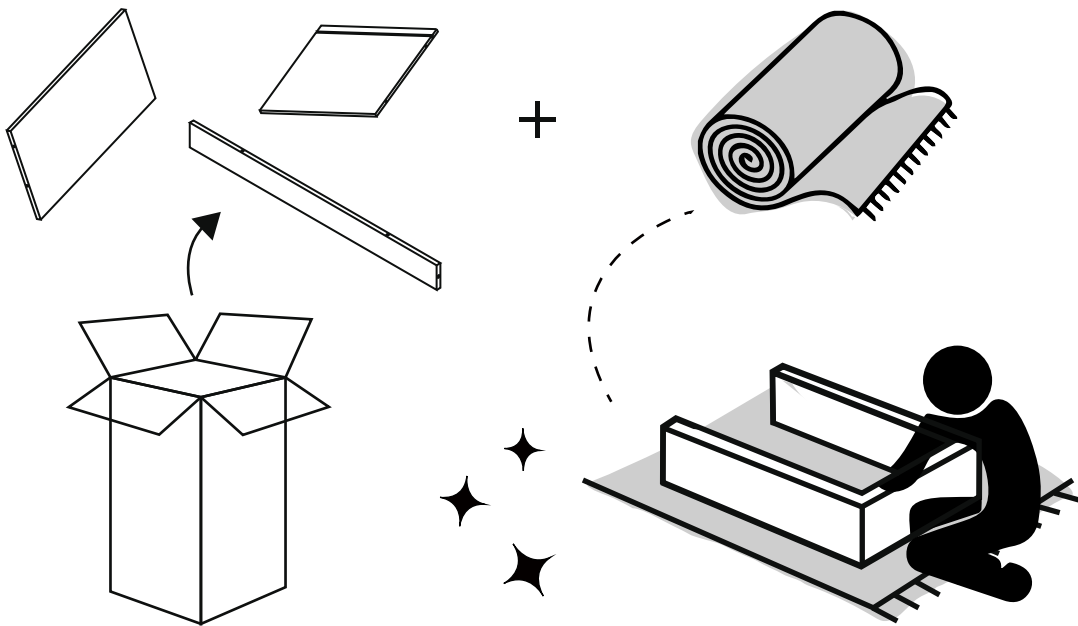
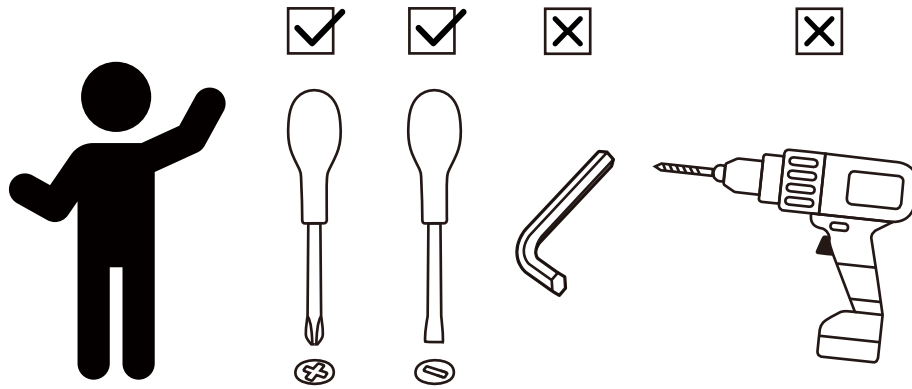
---

**Extended Warranty  
Sign Up**

---

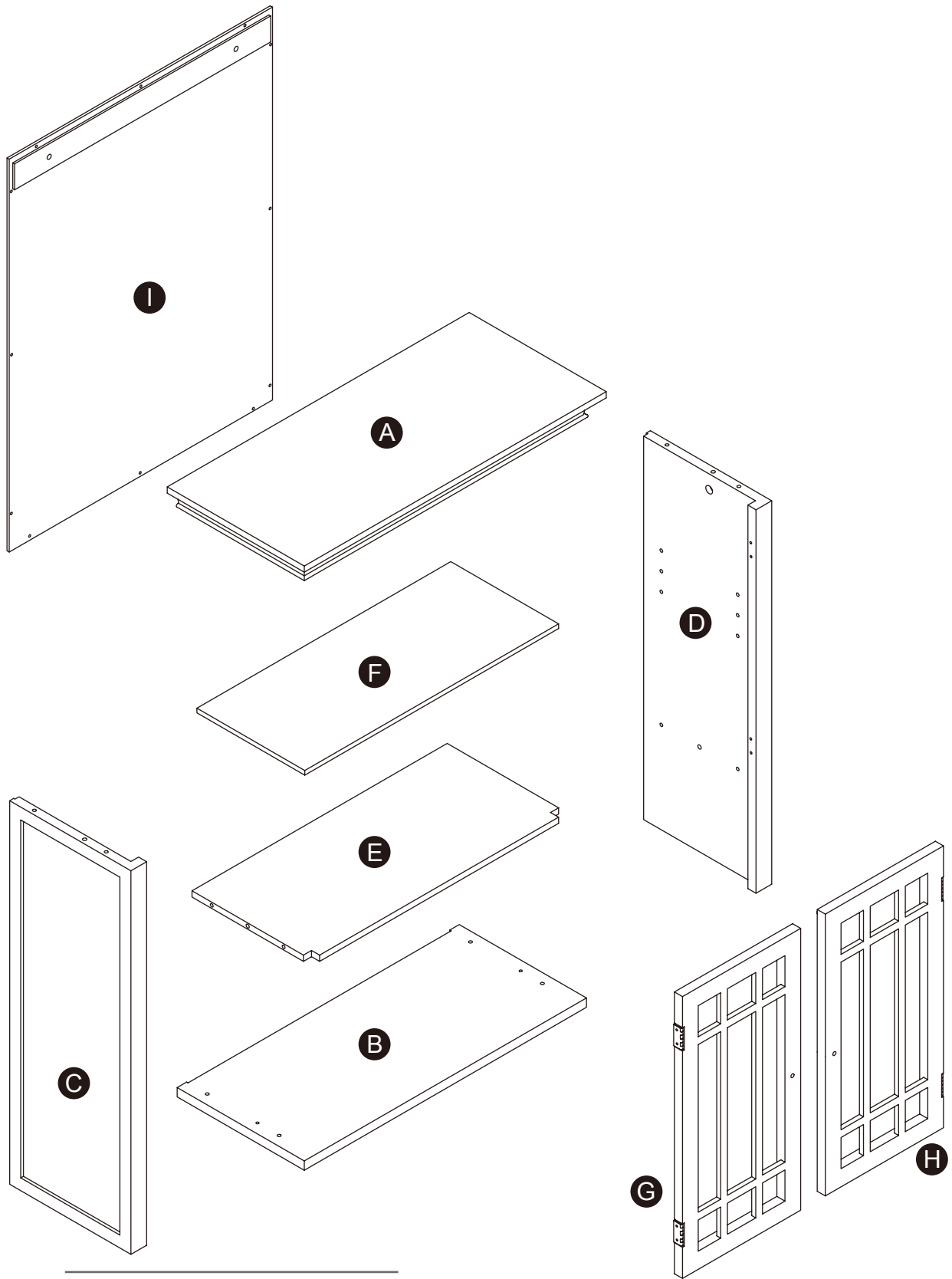
**Wall Cabinet with  
2 Doors**





\*\* Got questions? Please have your product code (on the first page of this instruction, and the order number ready, give us a call or email us through our customer care support! We are always ready to assist you!

# Exploded Drawing



**assembly  
instructions.**

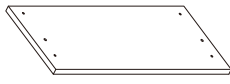
## Product Parts

A



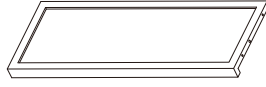
1 PC

B



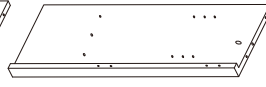
1 PC

C



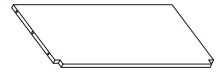
1 PC

D



1 PC

E



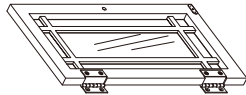
1 PC

F



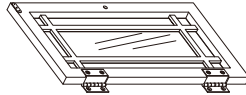
1 PC

G



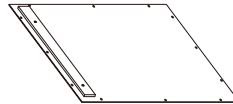
1 PC

H



1 PC

I



1 PC

**assembly  
instructions.**

### **! Care Instructions**

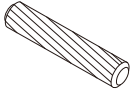
Dust surface with a dry soft cloth. Do not use window cleaners or cleaning abrasives as they will scratch the surface and could damage the protective coating

### **! WARNING**

Small parts and sharp edges may be present prior to assembly.

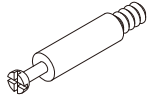
# Hardware

1



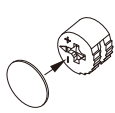
12 PCS

2



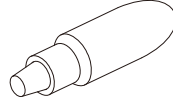
4 PCS

3



4 PCS

4



1 PC

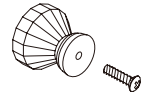
5



Ø3\*15

8 PCS

6



2 sets

7



Ø3\*12 D=7

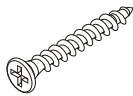
12 PCS

8



4 PCS

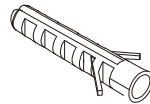
9



Ø4\*50mm

4 PCS

10

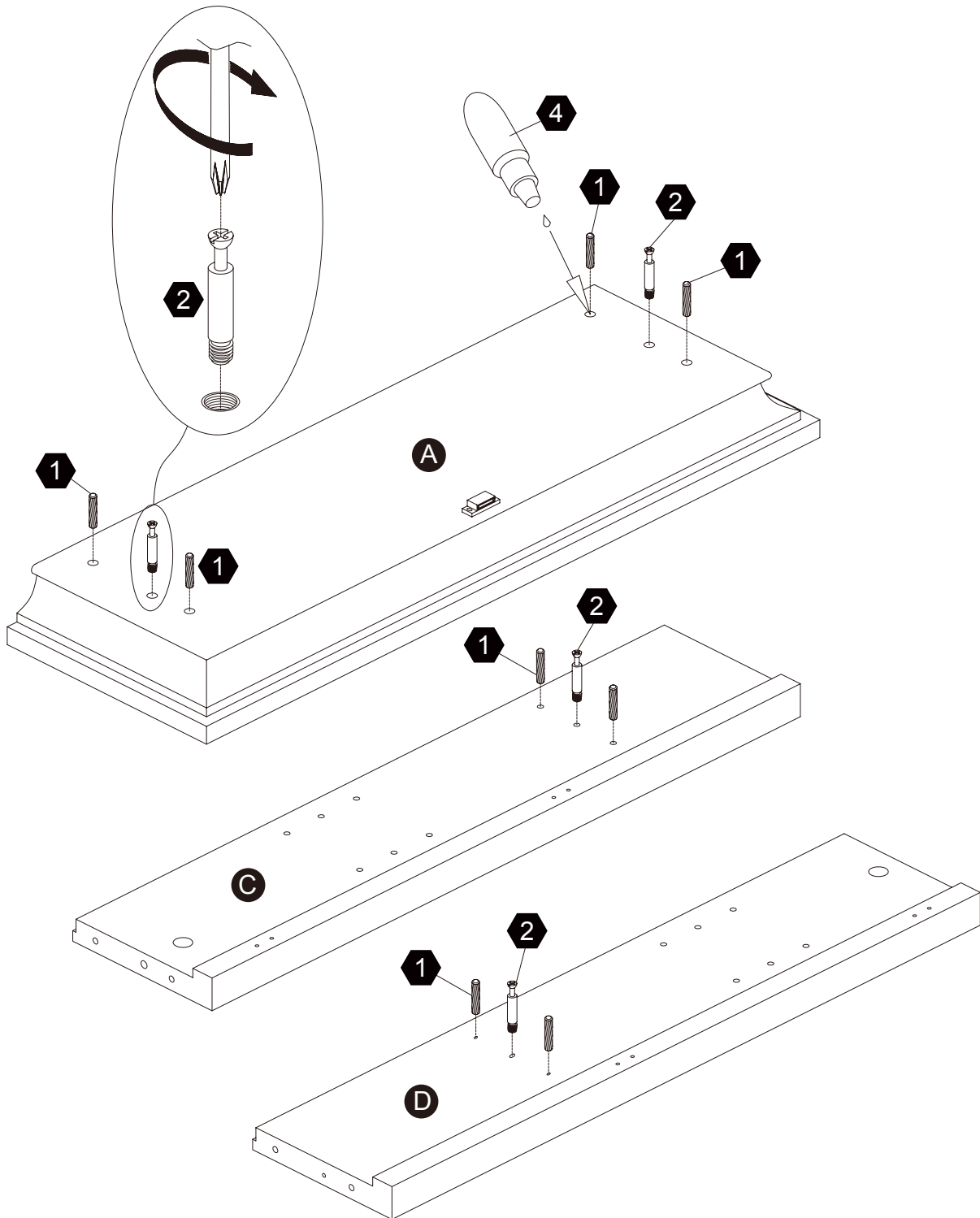


2 PCS

**assembly  
instructions.**

# Step 1

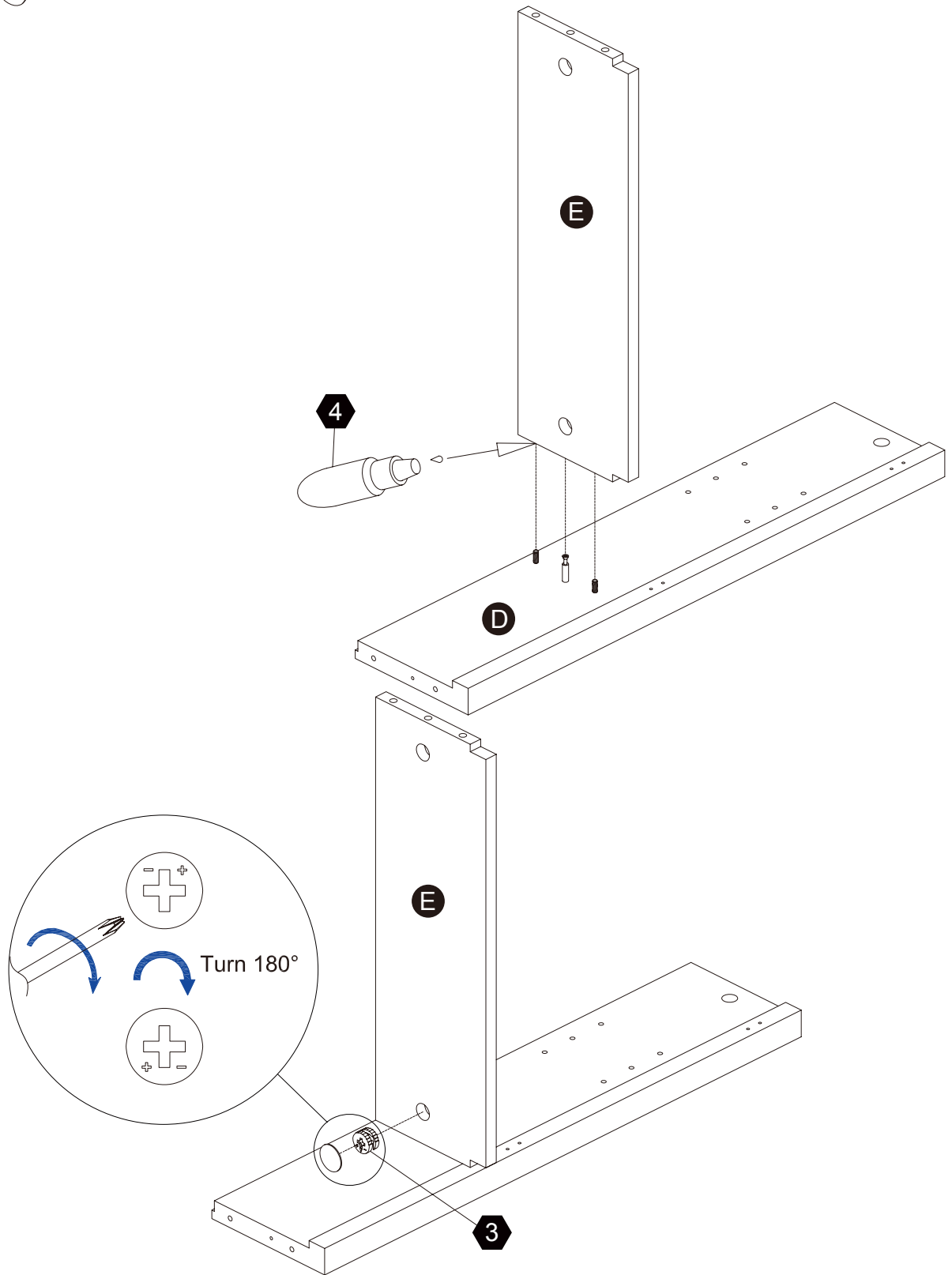
- 1 8 pcs
- 2 4 pcs
- 4 1 pc



**assembly  
instructions.**

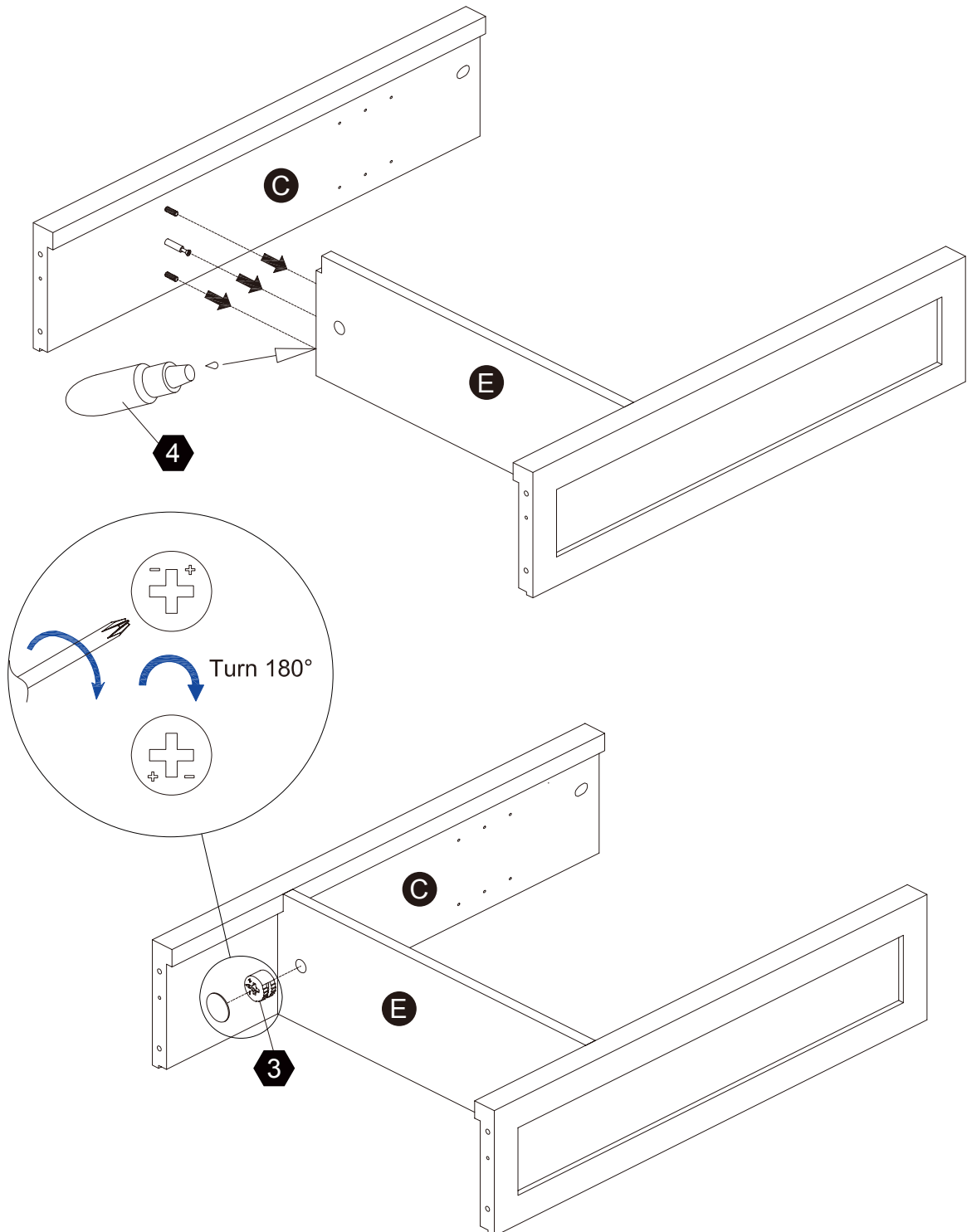
## Step 2

- 3  1 pc    4  1 pc



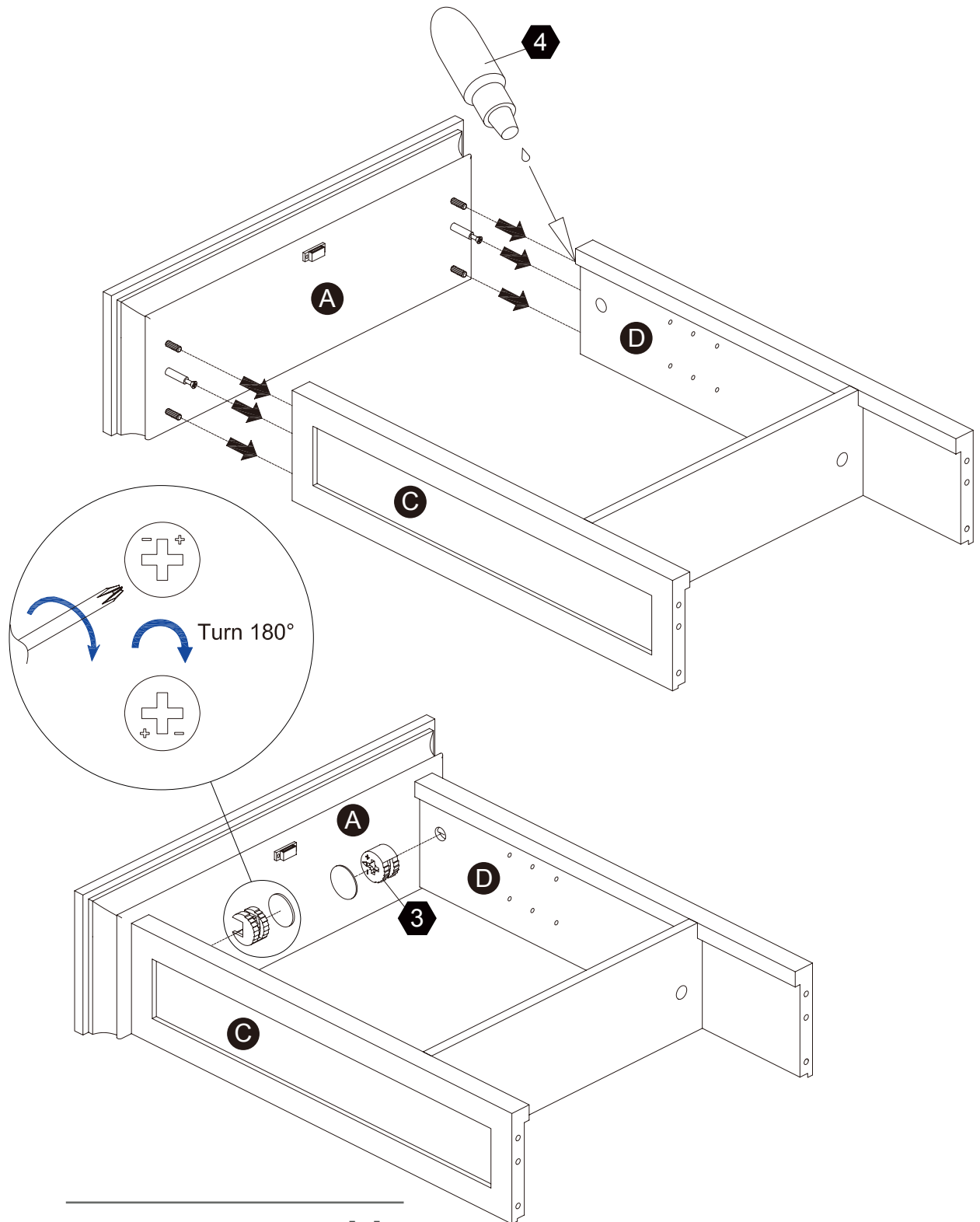
**assembly  
instructions.**

## Step 3



**assembly  
instructions.**

## Step 4



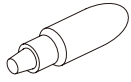
**assembly  
instructions.**

## Step 5

1

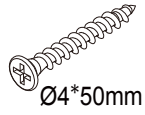
4 pcs

4



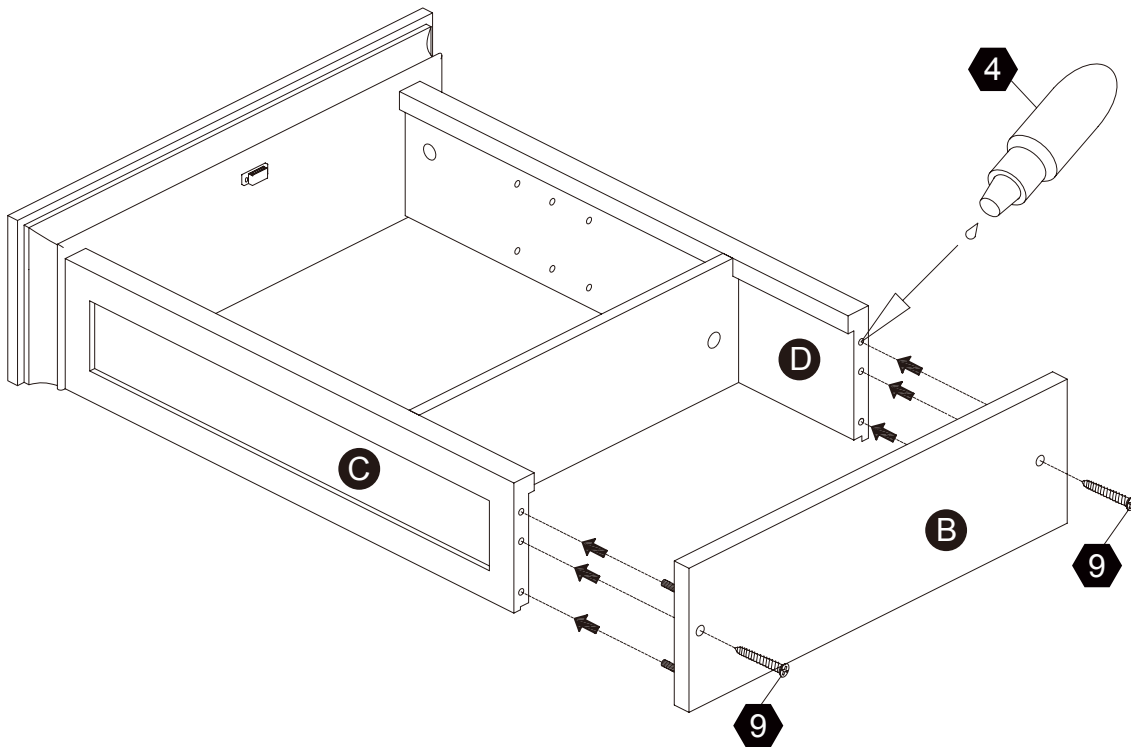
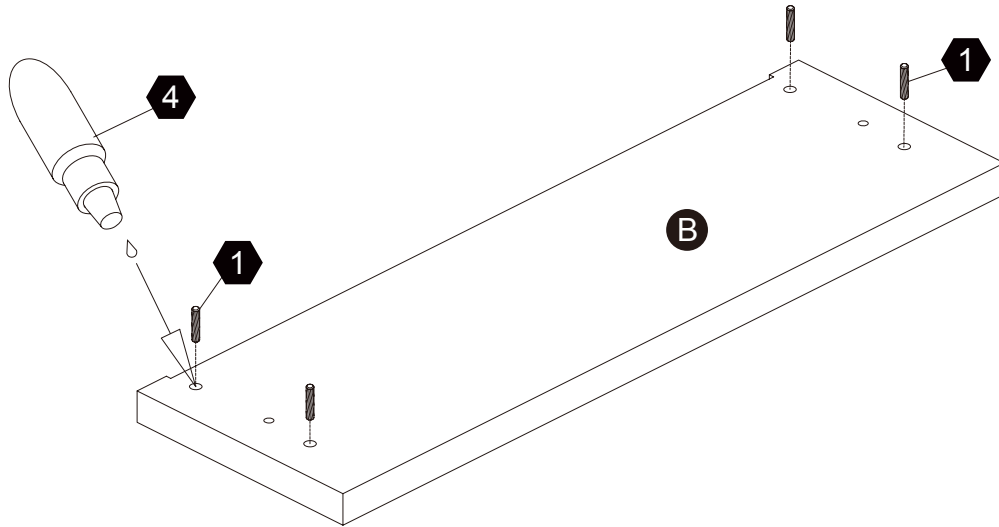
1 pc

9



2 pcs

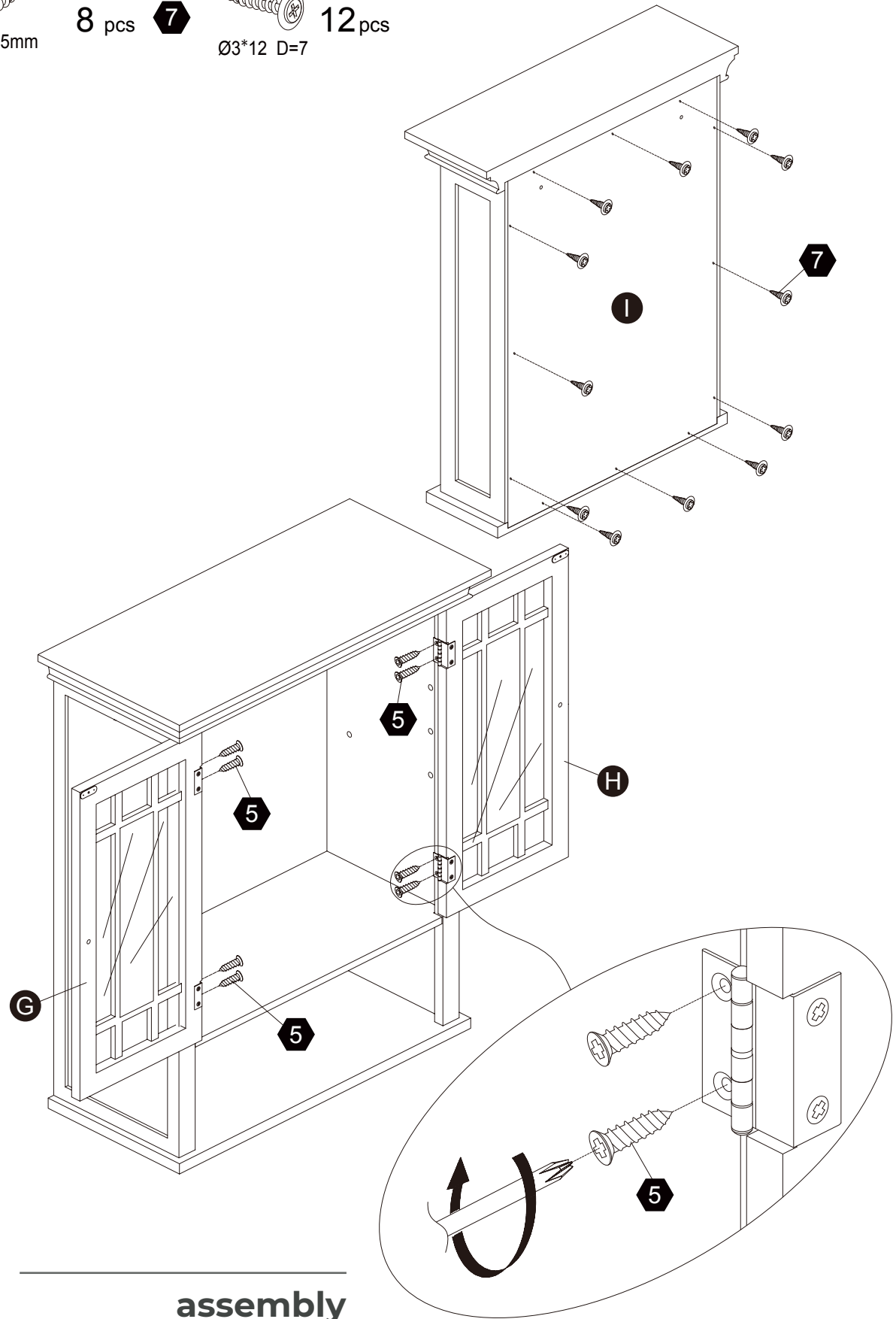
Ø4\*50mm



assembly  
instructions.

# Step 6

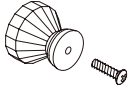
- 5**  8 pcs  $\varnothing 3 \times 15 \text{ mm}$
- 7**  12 pcs  $\varnothing 3 \times 12 \text{ D} = 7$



**assembly  
instructions.**

## Step 7

6

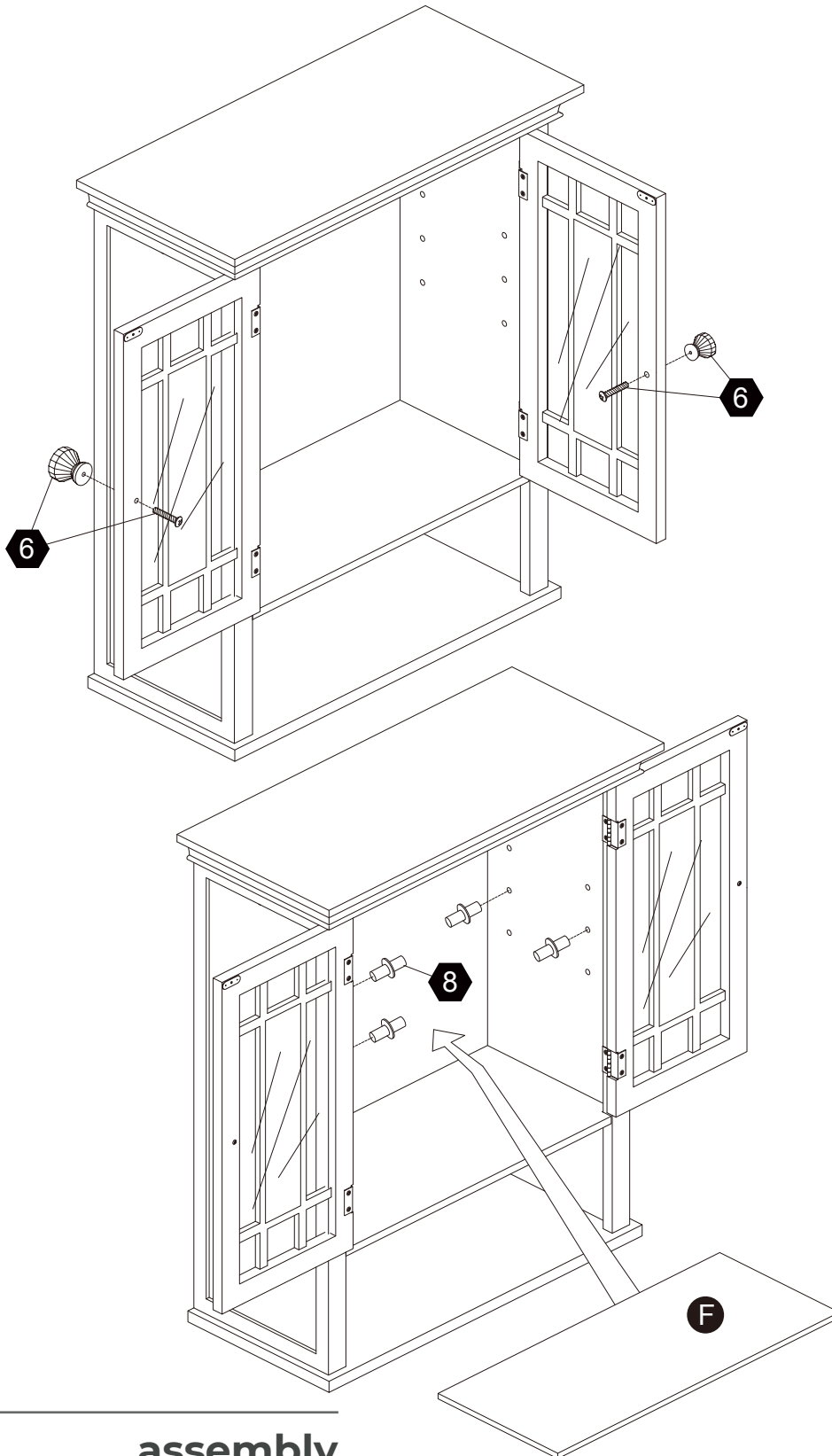


2 sets

8

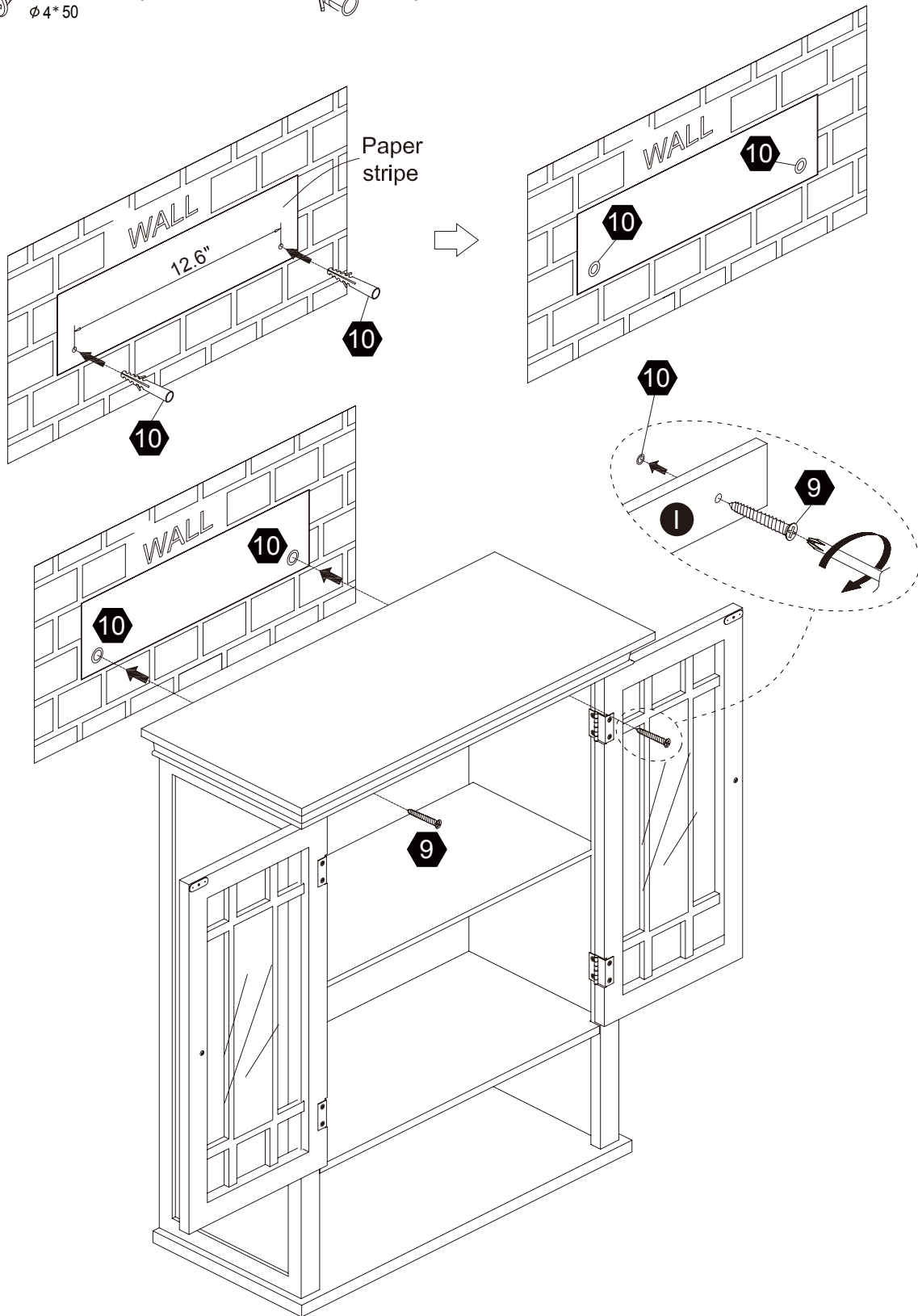


4 pcs



**assembly  
instructions.**

## Step 8



**assembly  
instructions.**

