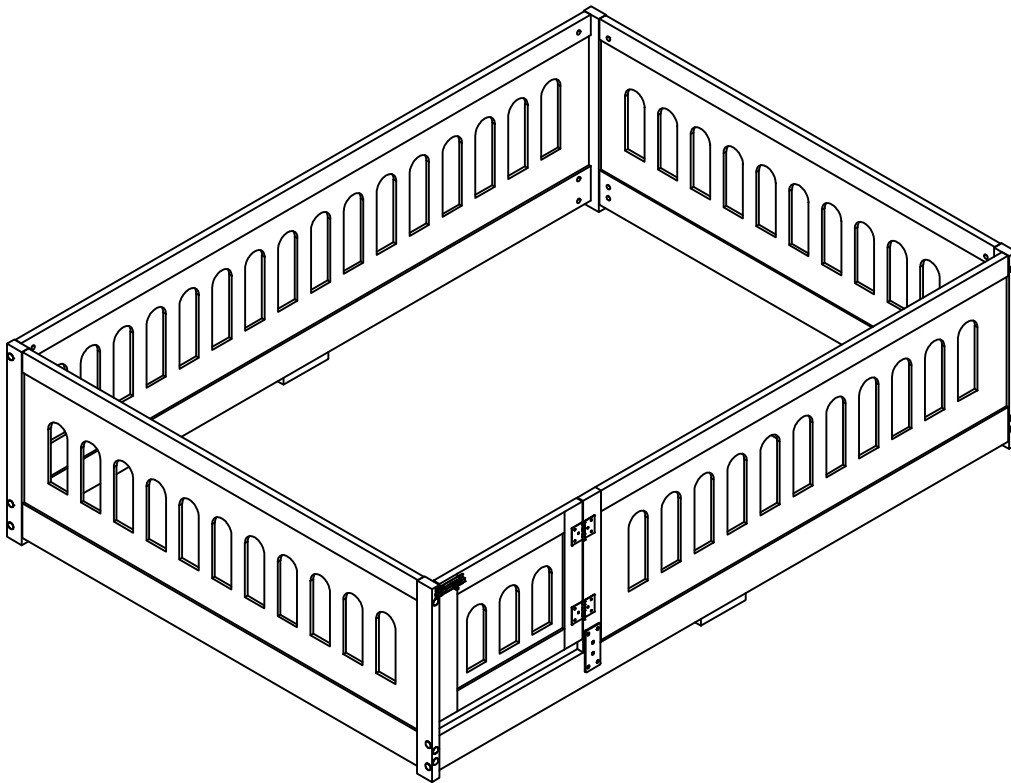


Fence Floor Bed (BEDF086B77)



General Guidelines

- Please read the following instruction carefully and use the product accordingly.
- Please keep this manual and hand it over when you transfer the product.
- This summary may not include every detail of all variations and considered steps. Please contact us when further information and help are needed.






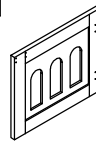

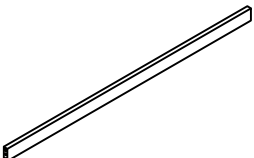
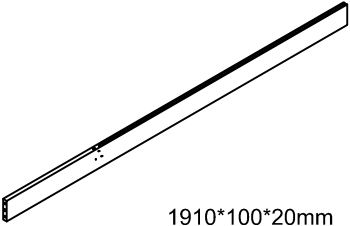
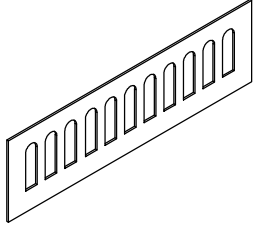
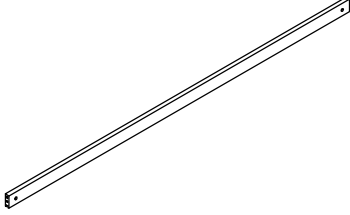
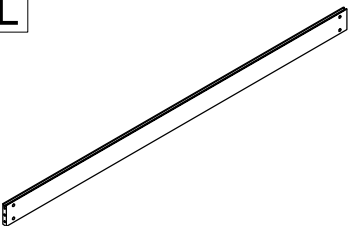
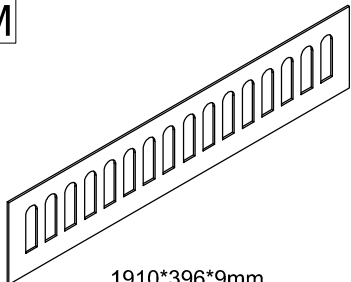
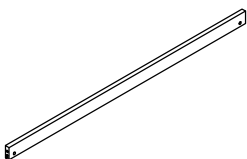
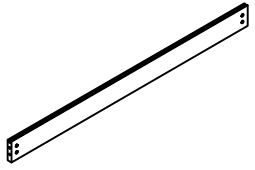
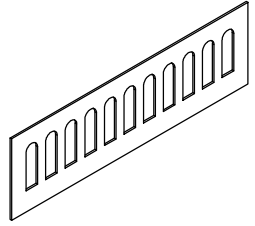
Notes

- The product is intended for indoor use only. The product must be assembled and used in accordance with the provisions of the manual. Personal injury and/or damage to product may occur if products are used outside of their intended purposes and/or if products have been changed/modified from their original design. The seller does not assume any responsibility or liability with respect to any injury/damage caused by incorrect assembly or improper use.
- Avoid long-term exposure to humid environments to prevent mildew.
- Keep the product away from fire sources and high temperatures. Do not expose the product to direct sunlight.
- Do not place any hot objects on the surface of the product.
- If there are any defective or missing parts after unpacking, please cease assembly immediately and contact us.
- Please assemble the item on a spacious surface and do not place the unwrapped product directly on the ground to avoid product damage.
- Please do not stand or sit on the wooden boards.
- Please wear gloves during the assembly and/or disassembly process to avoid scratches from any sharp edges.
- Please match the corresponding part and fitting based on the part number in the manual.
- If the part does not match with the fitting, please check the piece as specified in this manual.
- During assembly, first loosely align all screws with the corresponding pre-drilled holes and then tighten the screws one by one.
- Periodically inspect screw tightness while the product is in use. If necessary, retighten to ensure structural integrity.
- If you accidentally spill water or another liquid on the surface, immediately wipe clean with a dry towel.
- Please keep the product away from sharp, pointed objects and corrosive substances to prevent product damage.
- Please place this item on level, solid ground during use.

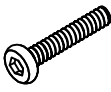
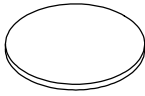
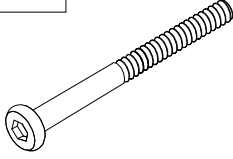




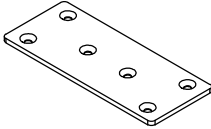
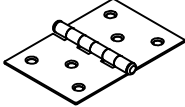
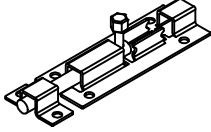


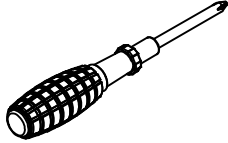
Warnings

- During assembly, keep all small parts out of the reach of children. It may be fatal if swallowed or inhaled.
- Children should not climb or play on the product in order to avoid tipping over the furniture and causing serious injury.
- To avoid the potential dangers of suffocation, please keep all parts and packaging (film, plastic bags, foam, etc.) away from babies and children.
- Keep sharp objects and corrosive items away from the product to avoid any damage or injury.
- Do not shake or move violently during use to avoid tipping over the product.

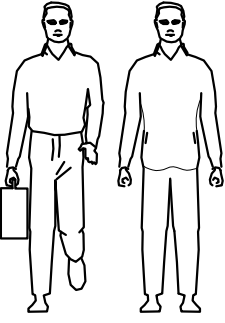
PART LIST

A  560*50*25mm Front Pillar-L 1 PC	B  560*50*25mm Front Pillar-R 1 PC	C  560*50*25mm Rear Pillar-L 1 PC	D  560*50*25mm Rear Pillar-R 1 PC	E  440*60*20mm Front Pillar-C 1 PC	F  479*400*20mm Door 1 PC	G  150*20*20mm Center Leg 2 PCS
H  1365*60*20mm Front Top Horizontal 1 PC			I  1910*100*20mm Front Bottom Horizontal 1 PC			
J  1365*396*9mm Front Core Board 1 PC			K  1910*60*20mm Rear Top Horizontal 1 PC			
L  1910*100*20mm Rear Bottom Horizontal 1 PC	M  1910*396*9mm Rear Core Board 1 PC	N  1326*60*20mm Side Top Horizontal 2 PCS				
O  1326*100*20mm Side Bottom Horizontal 2 PCS	P  1326*396*9mm Side Core Board 2 PCS					

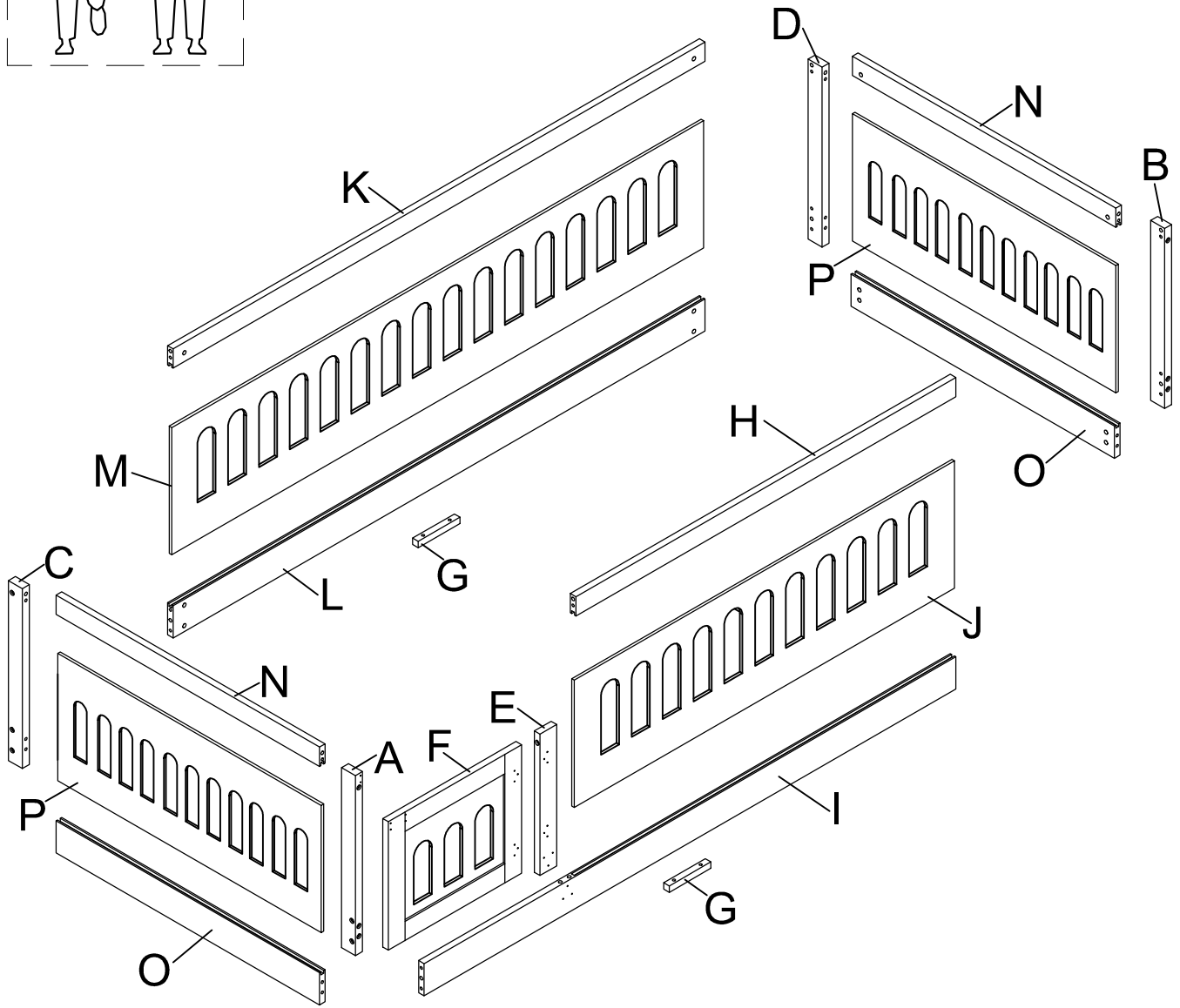
HARDWARE LIST

<p>#1</p>  <p>M6*30mm Bolt</p>	<p>#2</p>  <p>Ø20mm Beauty Stickers</p>	<p>#3</p>  <p>M8*80mm Bolt</p>	<p>#4</p>  <p>M8*Ø11.5*15mm Barrel Nut</p>	<p>#5</p>  <p>4mm Allen Wrench</p>
<p>4PCS (Extra 1)</p>	<p>24 PCS (Extra 2)</p>	<p>24 PCS (Extra 2)</p>	<p>24 PCS (Extra 2)</p>	<p>1 PC</p>
<p>#6</p>  <p>5mm Allen Wrench</p>	<p>#7</p>  <p>Ø10*40mm Wood Dowel</p>	<p>#8</p>  <p>Iron Sheet</p>	<p>#9</p>  <p>Hinge</p>	<p>#10</p>  <p>Stainless Steel Pin</p>
<p>1 PC</p>	<p>14PCS (Extra 2)</p>	<p>1 PC</p>	<p>2 PCS</p>	<p>1 PC</p>
<p>#11</p>  <p>Ø3.5*15mm Screw</p>	<p>#12</p>  <p>Ø3.5*14mm Head Screw</p>	 <p>Phillips Screwdriver</p>		
<p>18 PCS (Extra 2)</p>	<p>6PCS (Extra 1)</p>	<p>1 PC</p>		

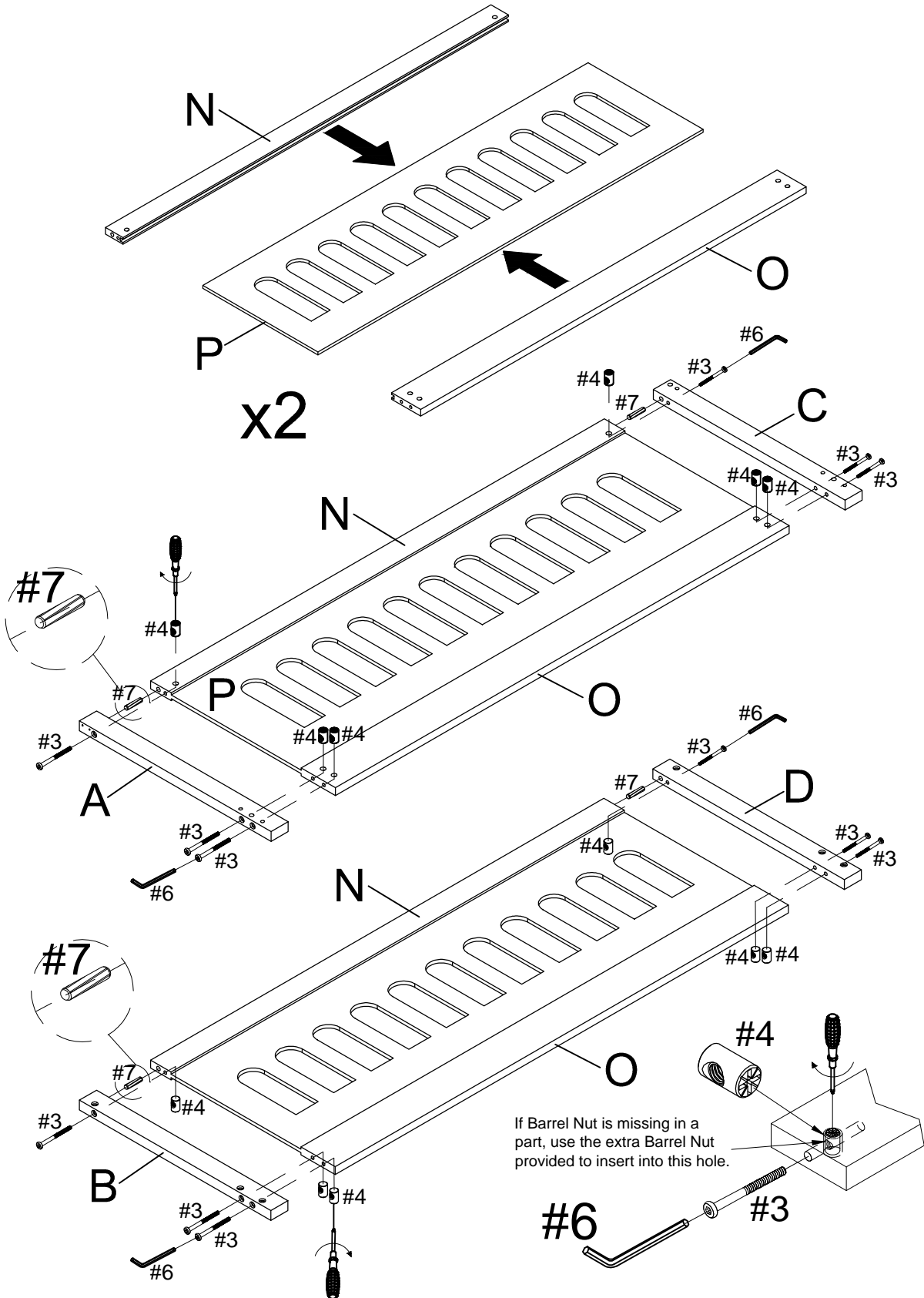
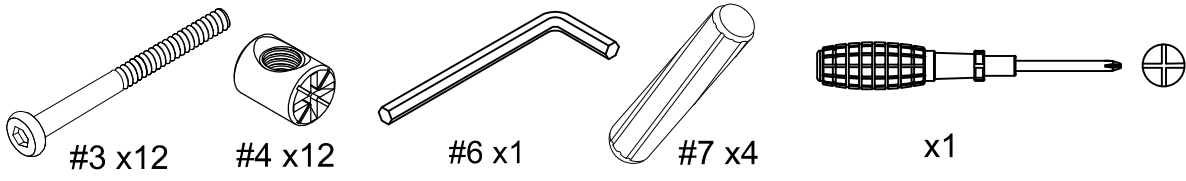
2-Person
Assembly



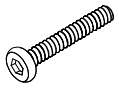
ASSEMBLY OVERVIEW



Step 1.



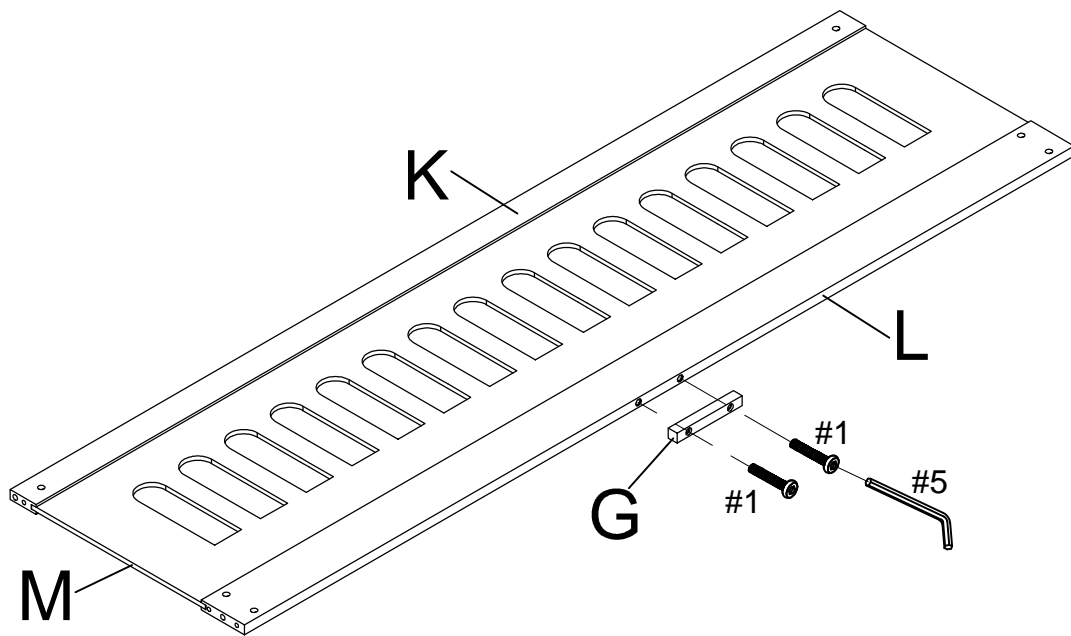
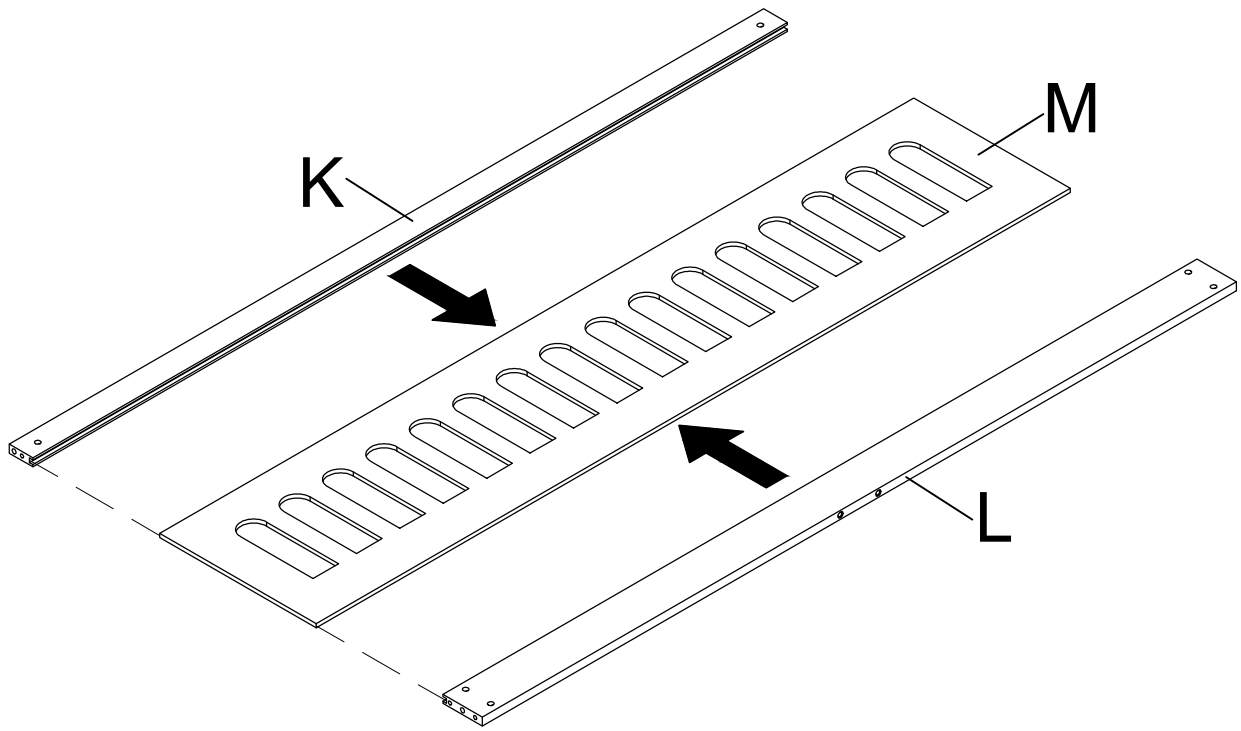
Step 2.



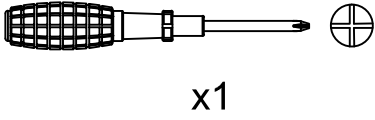
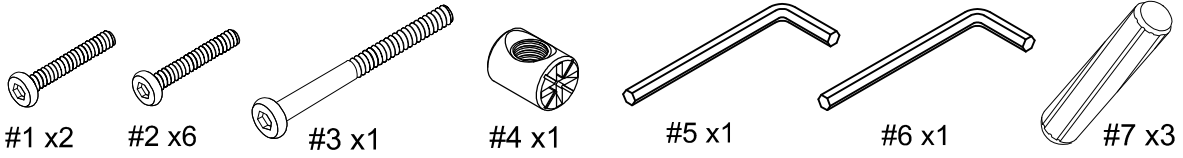
#1 x2



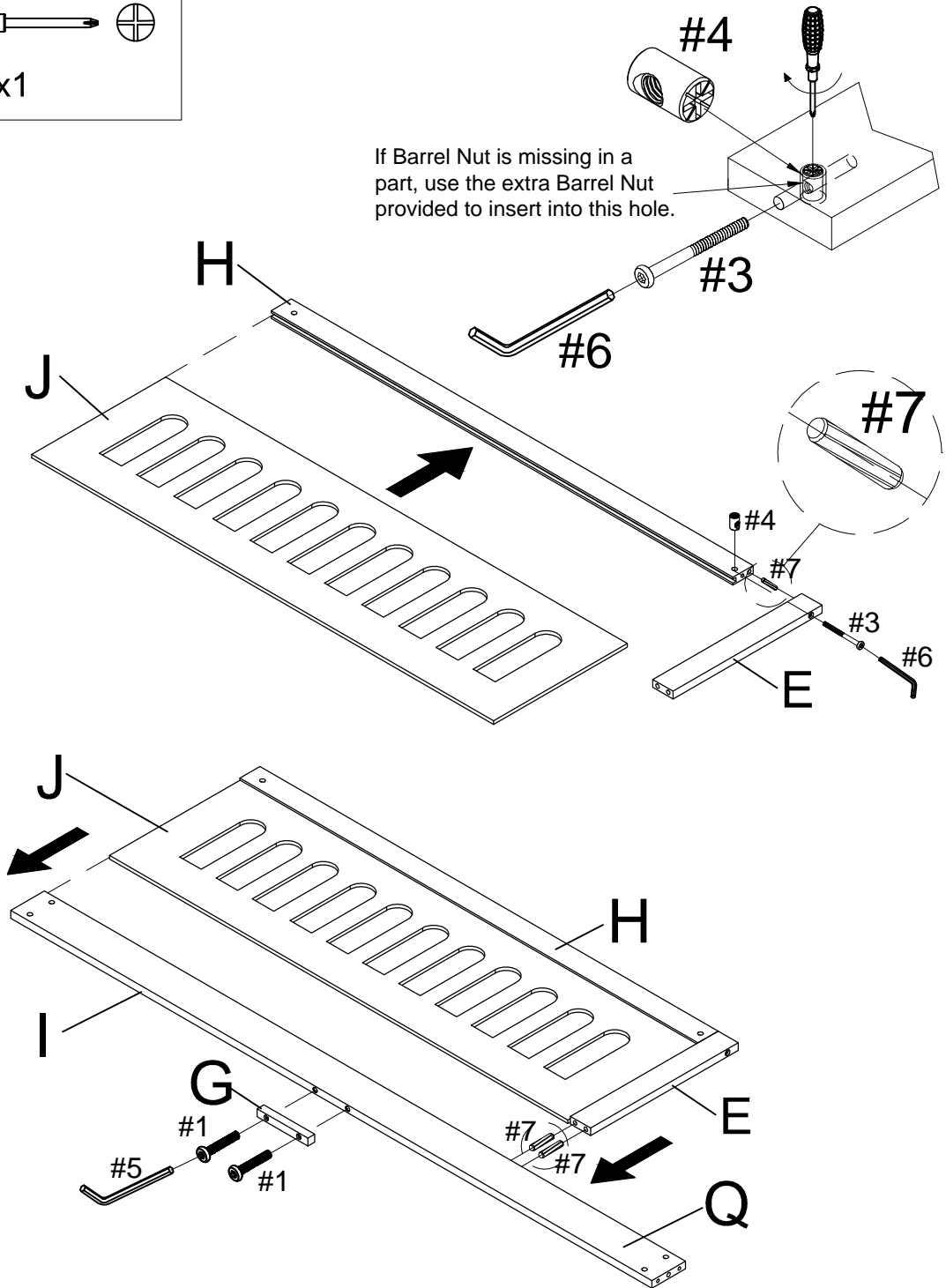
#5 x1



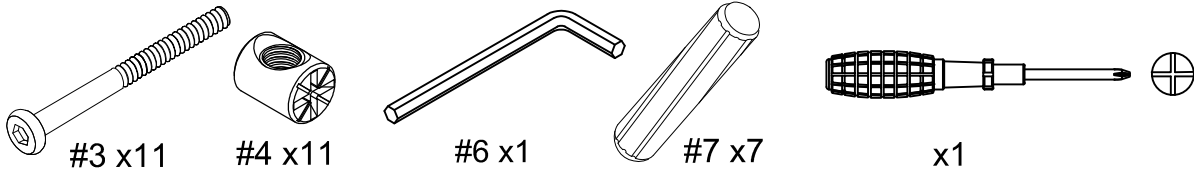
Step 3.



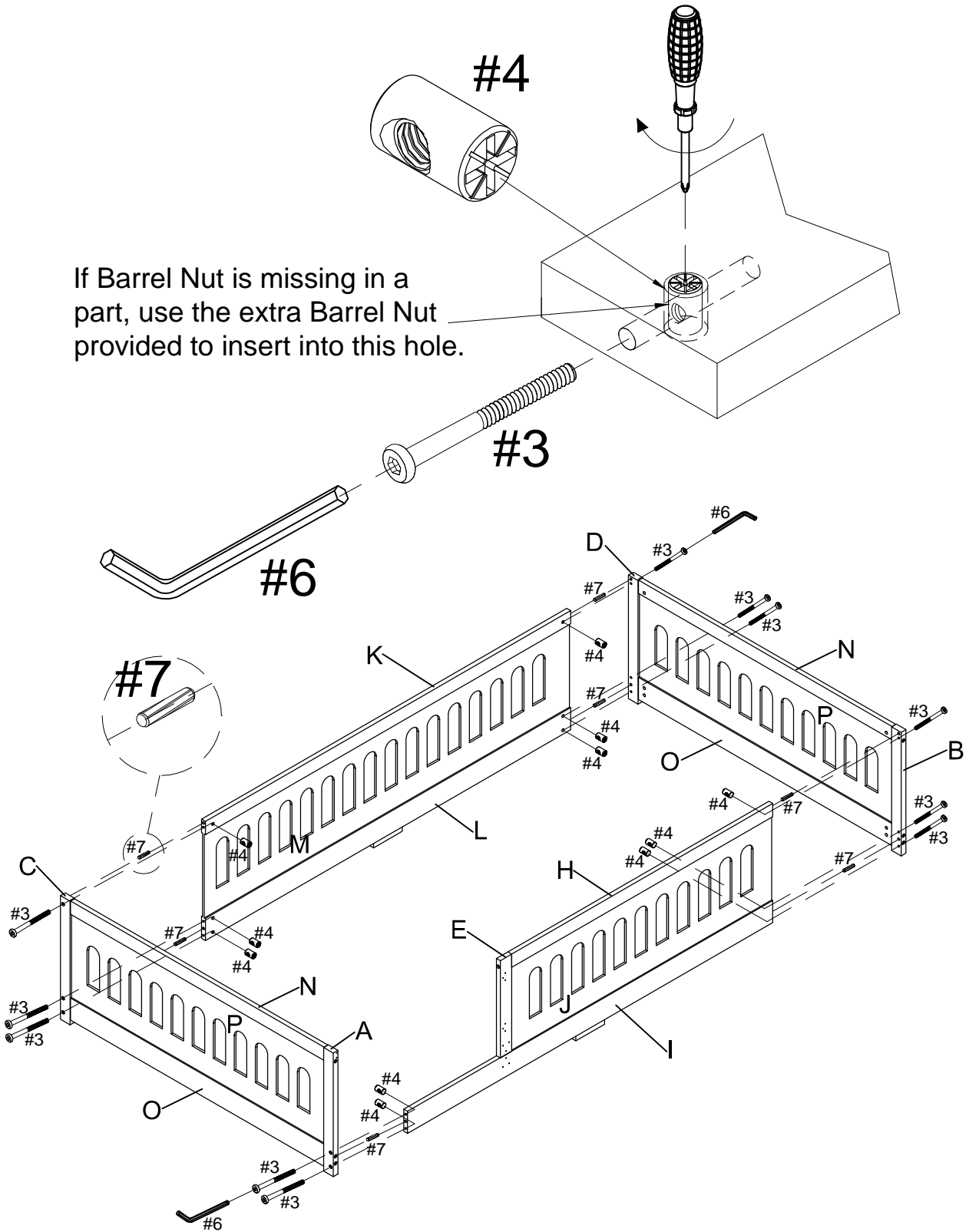
If Barrel Nut is missing in a part, use the extra Barrel Nut provided to insert into this hole.



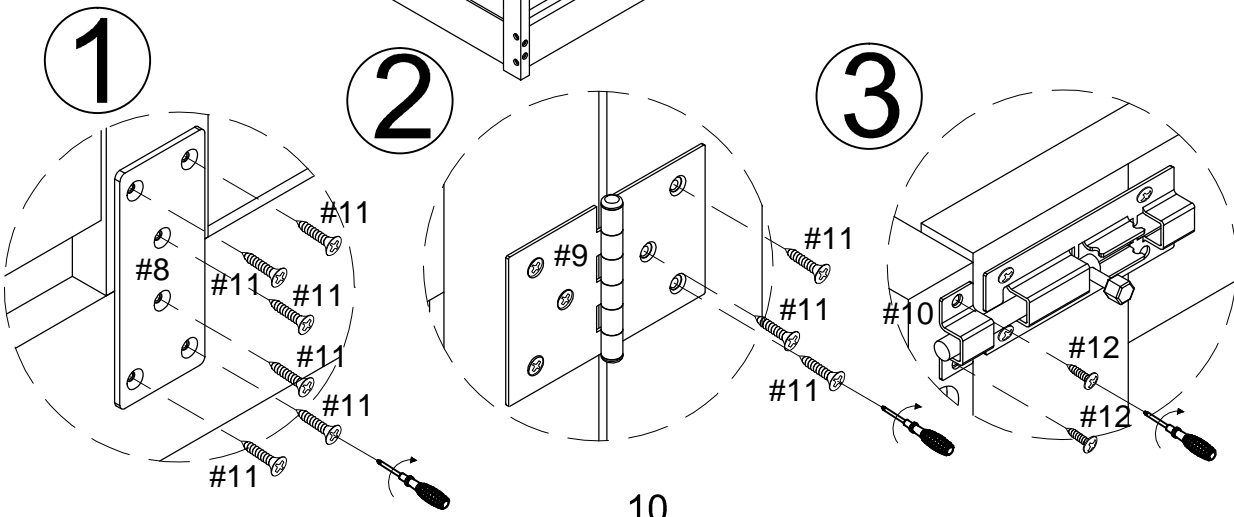
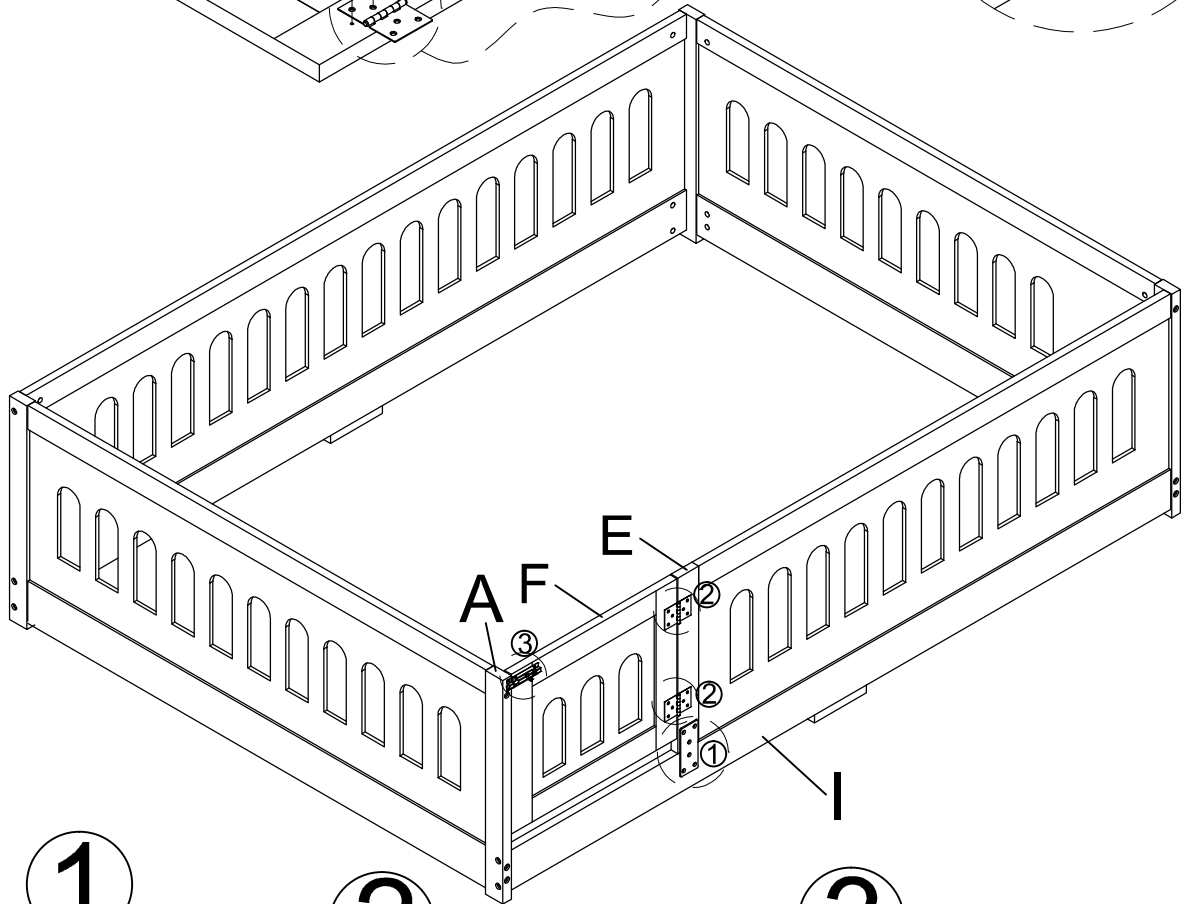
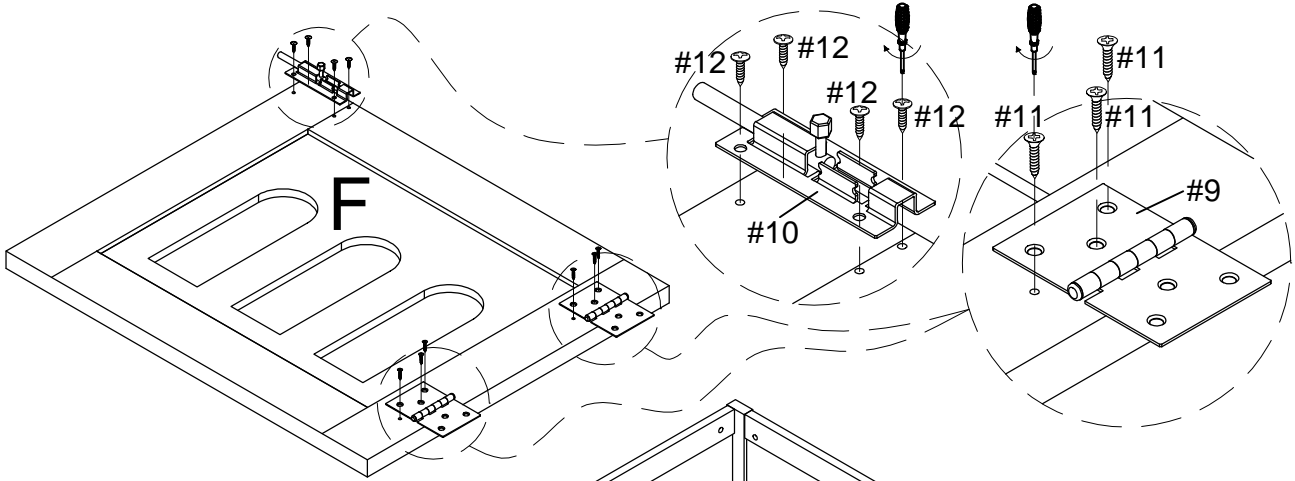
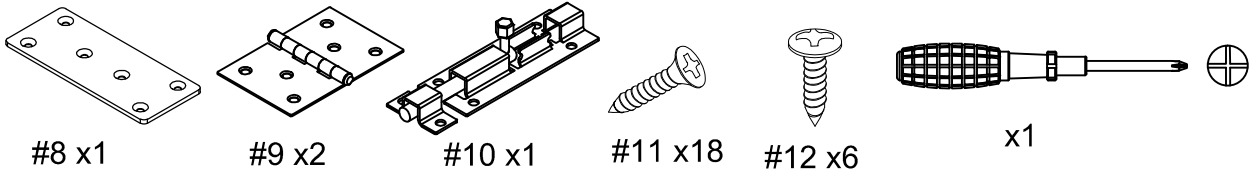
Step 4.



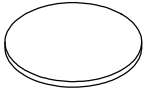
If Barrel Nut is missing in a part, use the extra Barrel Nut provided to insert into this hole.



Step 5.



Step 6.



#2 x24

