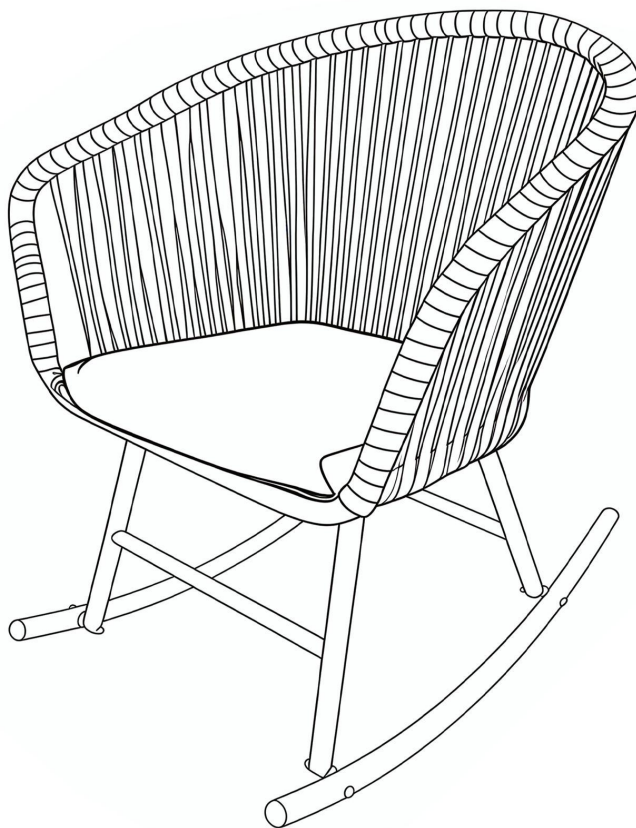
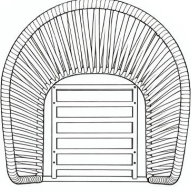
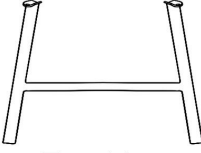





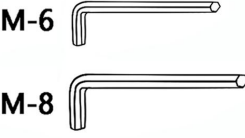



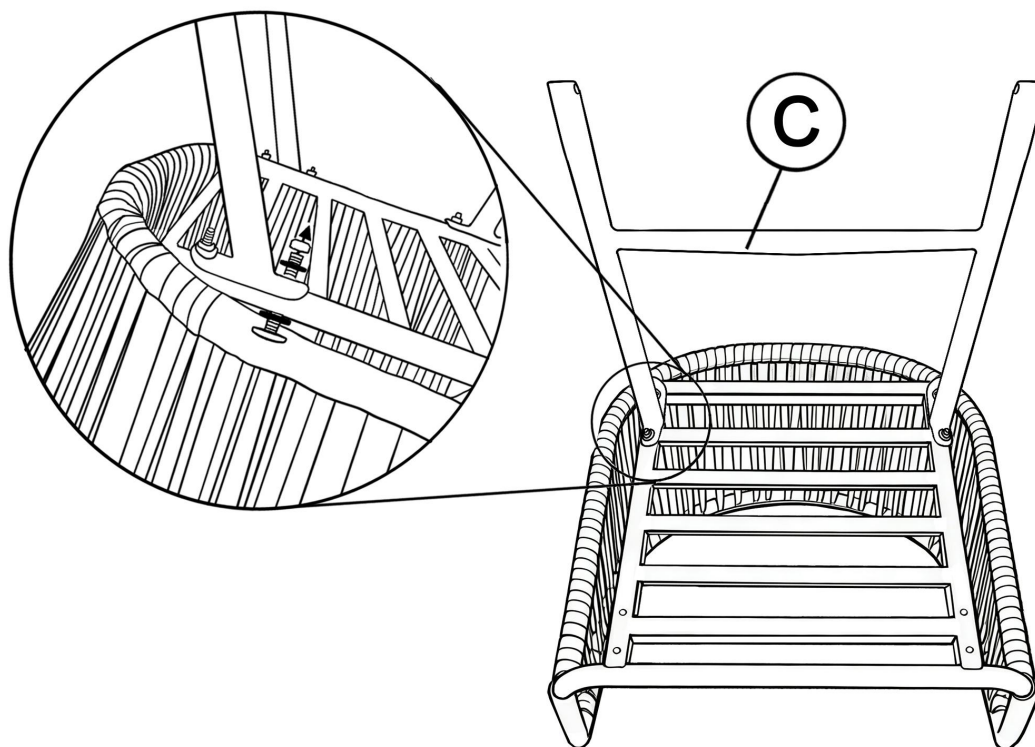
PATIO ROCKING CHAIR

**EASY
ASSEMBLY**
Assemble in
15 minutes
or less



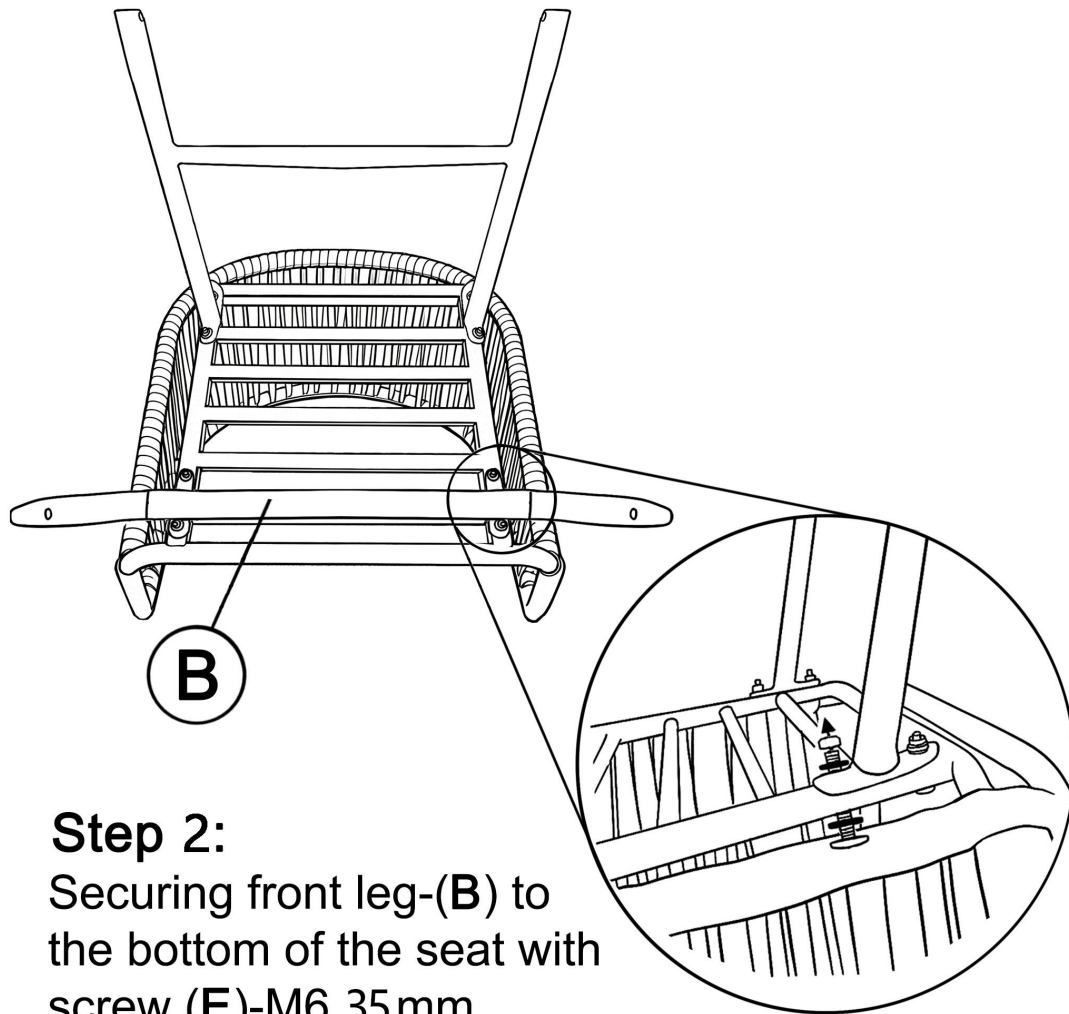
Accessories List

		 <p>Front leg</p>		 <p>Back leg</p>			
A	1	B	1	C	1	D	2
						 <p>M-6</p> <p>M-8</p>	
M6,35mm		M8,50mm					
E	8	F	4	G	1	H	2
 <p>M-6</p>							
I	2						

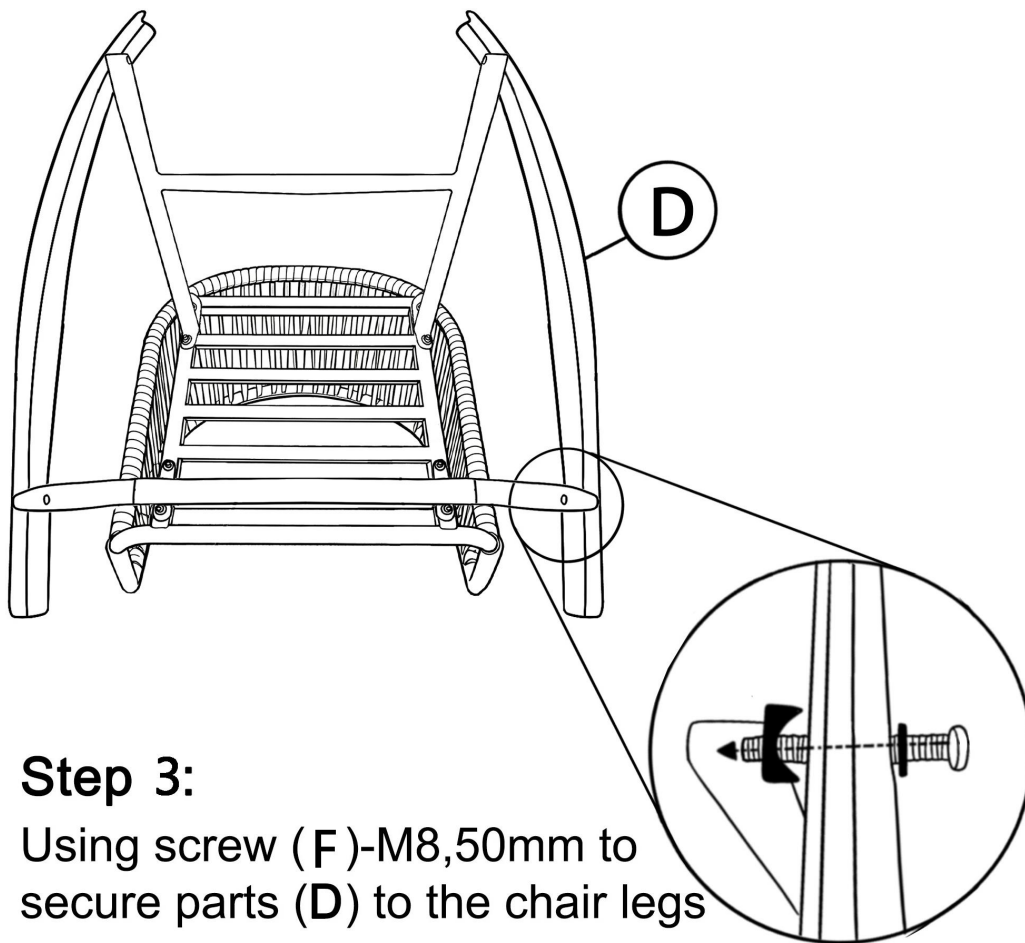


Step 1:

Securing back leg-(C) to the bottom of the seat with screw (E)-M6,35 mm



Step 2:
Securing front leg-(B) to
the bottom of the seat with
screw (E)-M6,35 mm



Step 3:

Using screw (F)-M8,50mm to secure parts (D) to the chair legs

Step 4:

Put the cushions on, and finish the assembly!

