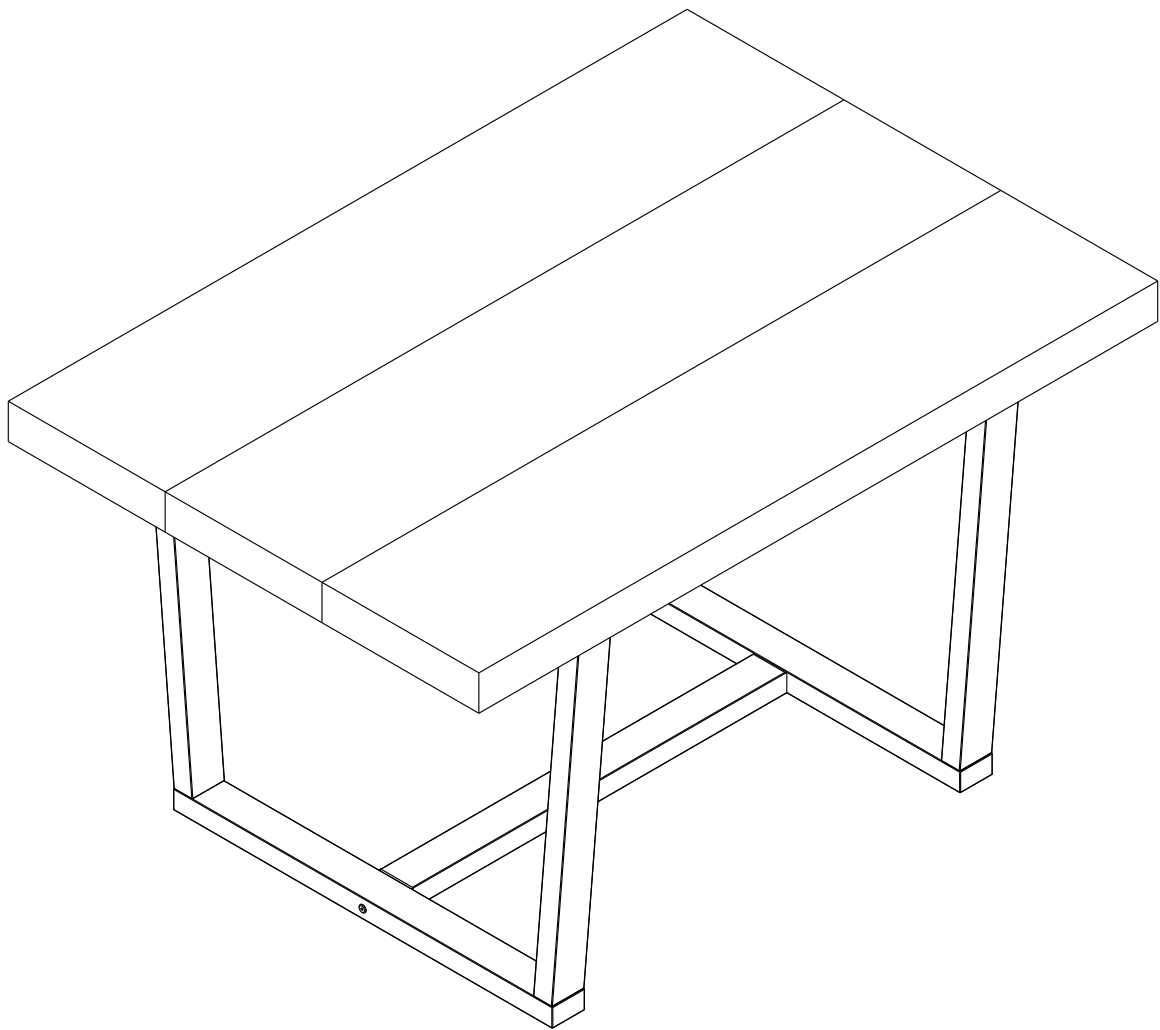
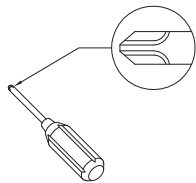


# Assembly Instructions

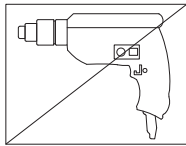


# General Assembly Guidelines

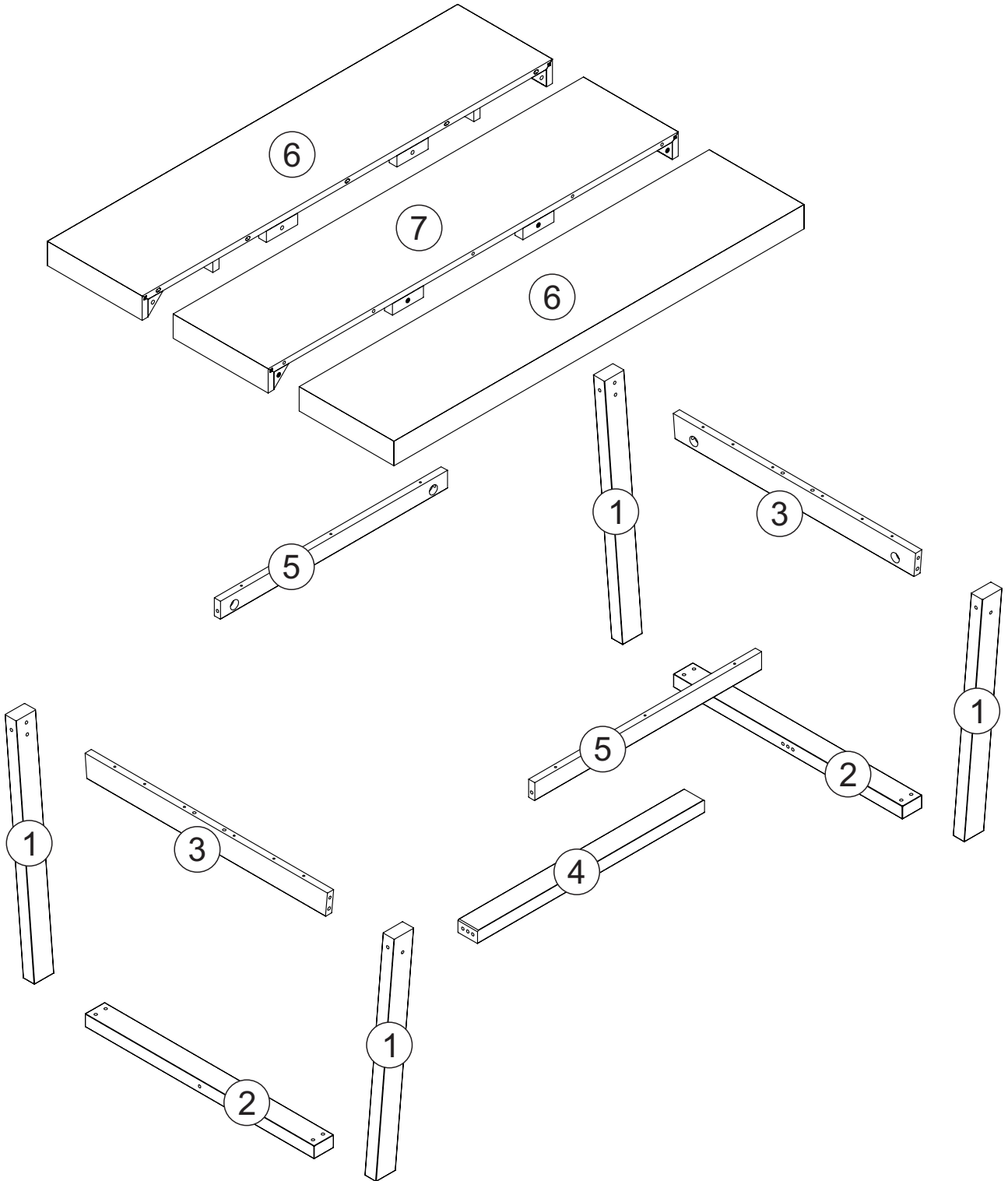
- I. Ensure that all parts and hardware are available before beginning assembly.
- II. Follow each step carefully to ensure the proper assembly of this product.
- III. Two people are recommended for ease in the assembly of this product.
- IV. The three main types of hardware used to assemble this product are : wood dowels , screws and bolts.
- V. A Phillips head screwdriver is required for the assembly of this product .



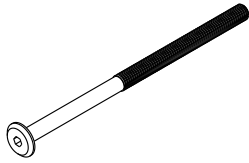
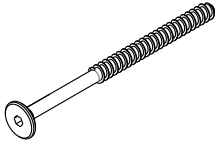
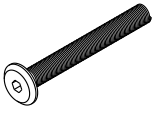
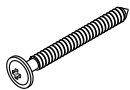
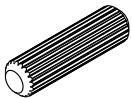

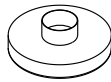
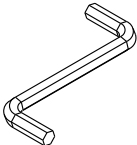
- VI. Power tools should not be used to assemble this product .

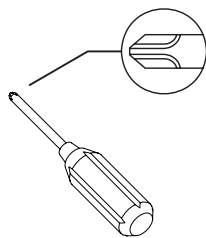
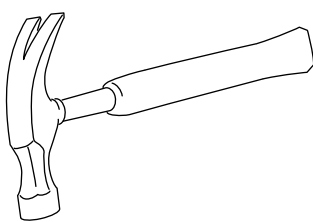


# Parts List



# Hardware List

A		Ø 1/4" x 110 mm	Bolt	10 pcs
B		Ø 7.0 x 70 mm	Bolt	08 pcs
C		Ø 1/4" x 50 mm	Bolt	08 pcs
D		Ø 4.0 x 50 mm	Screw	18 pcs
E		Ø 8.0 x 30 mm	Wood dowel	22 pcs
F		Ø 1/4"	Barrel nut	10 pcs
G			Plastic foot	04 pcs
H		M4	Hex key	01 pcs



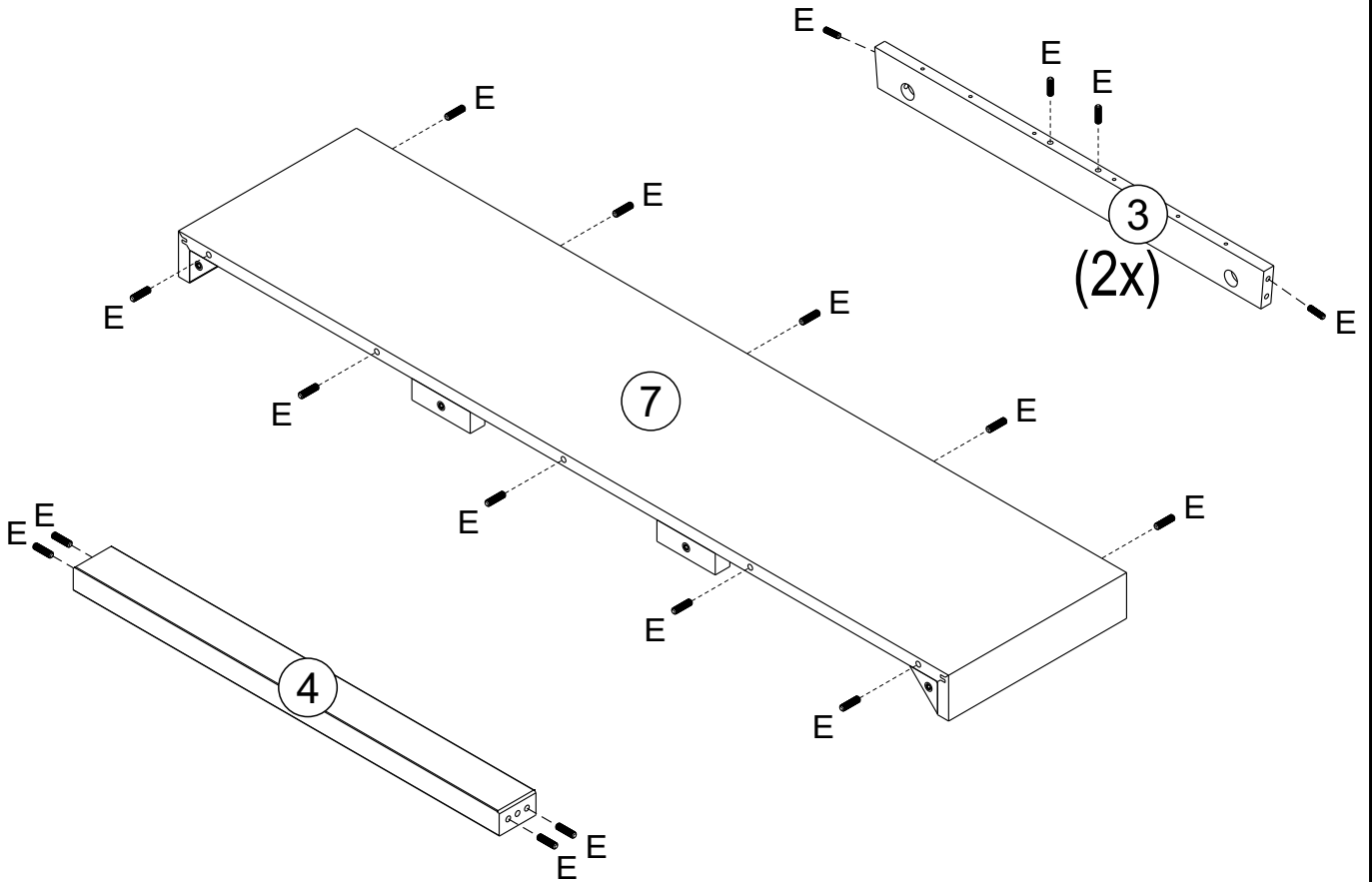
Philips head screwdriver required for assembly  
(not included)

Mallet or hammer recommended for assembly  
(not included)

*The hardware quantities listed above are required for proper assembly.  
Some extra hardware may also have been included.*

# Step 1

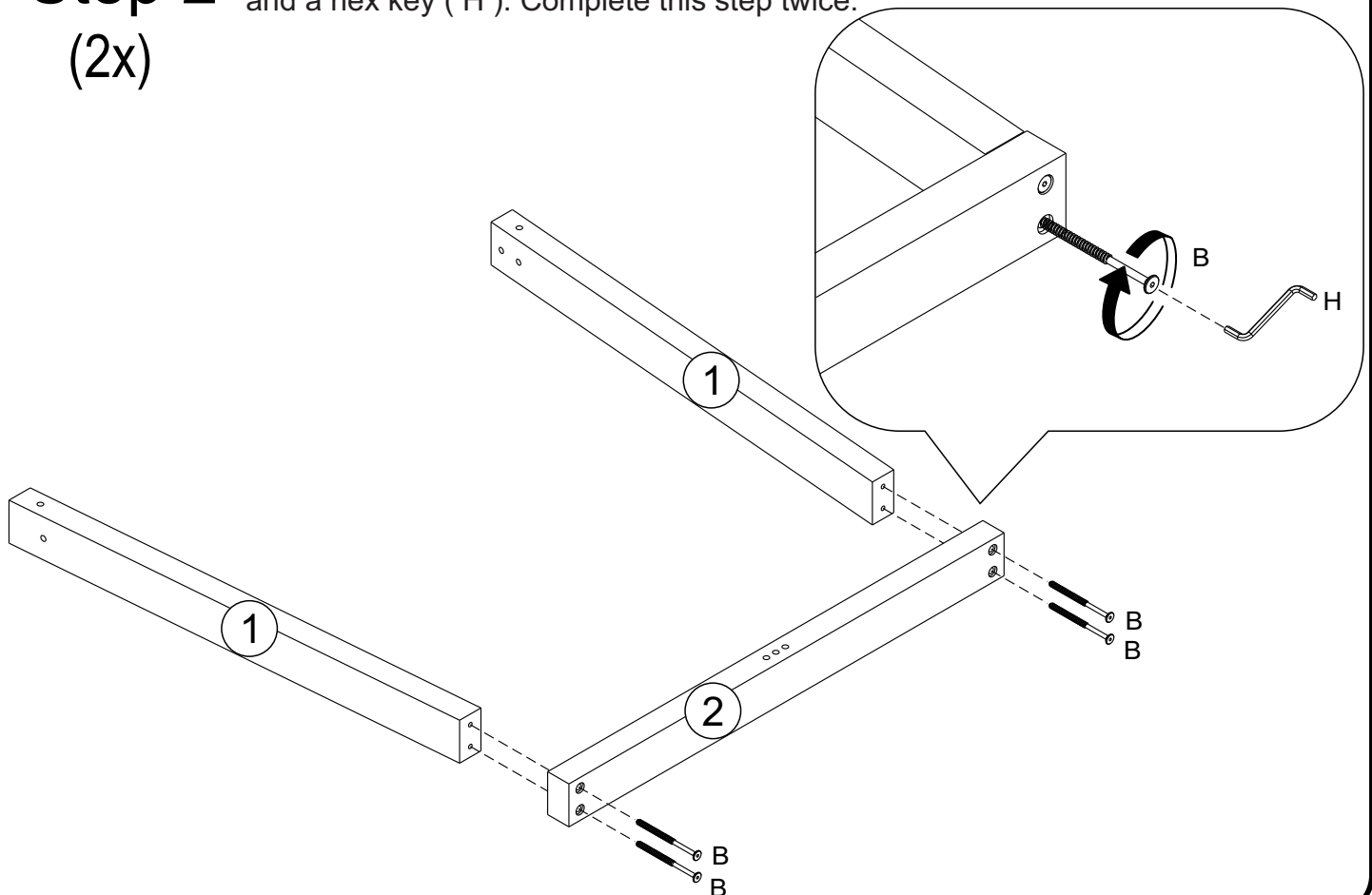
Insert wood dowel ( E ) into parts ( 3 ), ( 4 ) and ( 7 ).



# Step 2

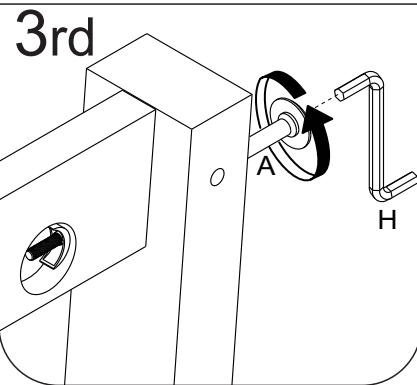
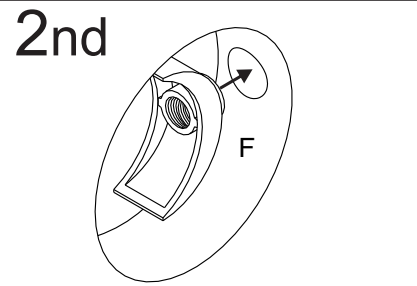
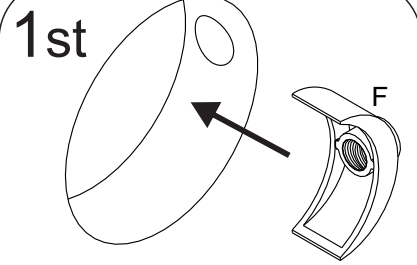
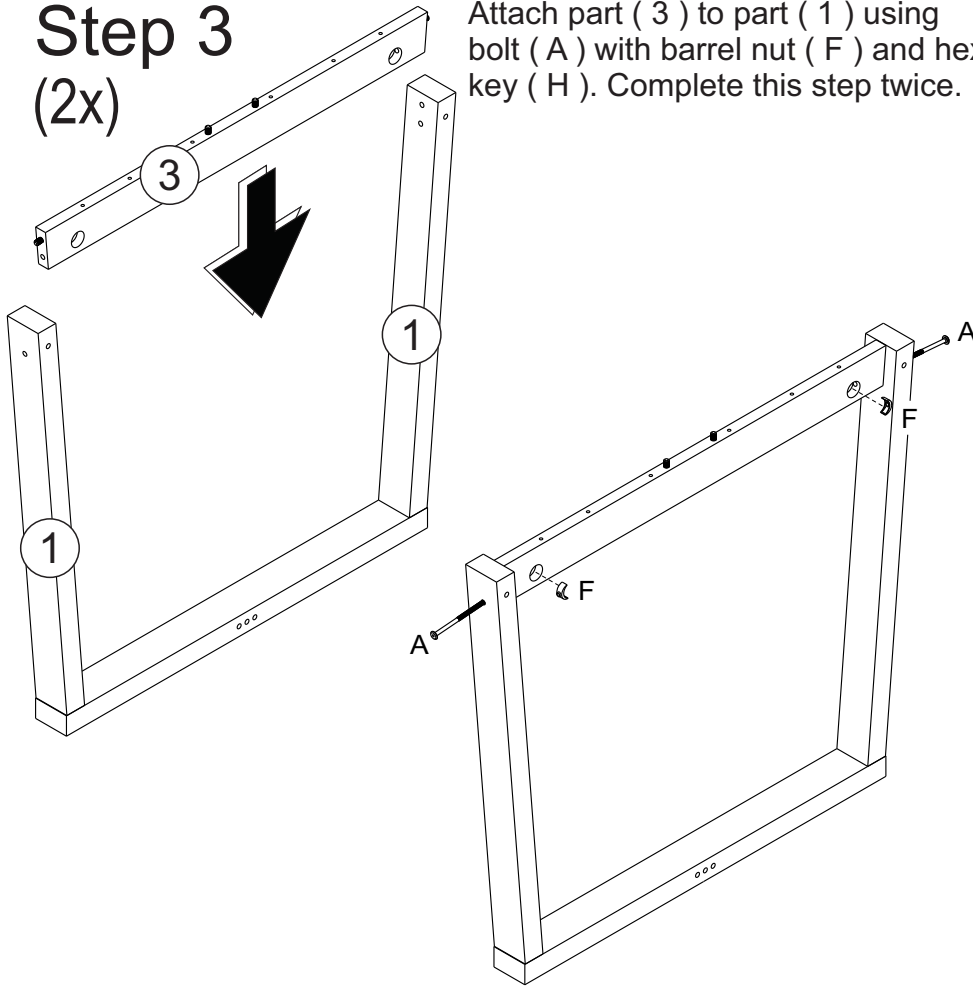
Attach part ( 2 ) to part ( 1 ) using bolt ( B ) and a hex key ( H ). Complete this step twice.

(2x)



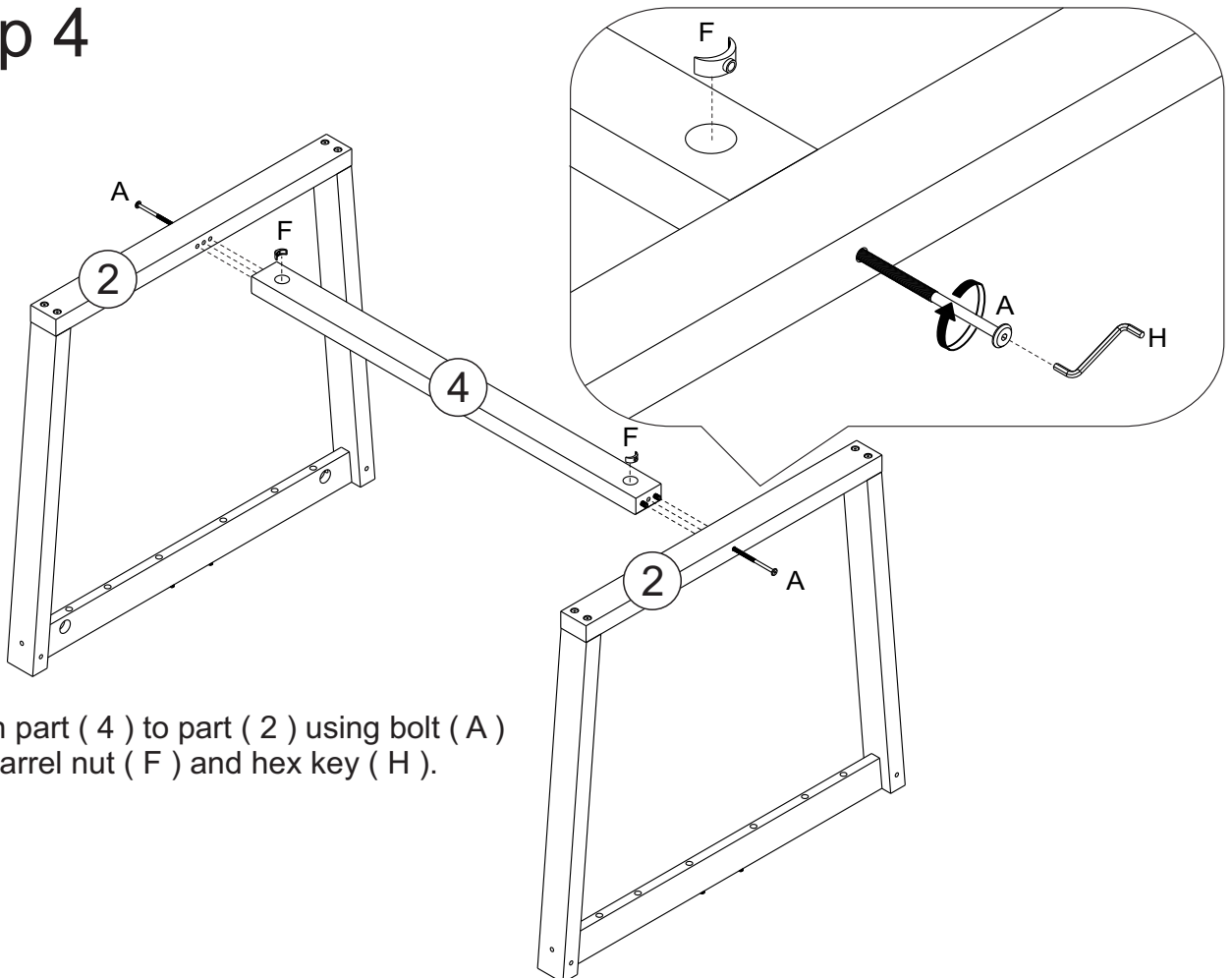
# Step 3 (2x)

Attach part ( 3 ) to part ( 1 ) using bolt ( A ) with barrel nut ( F ) and hex key ( H ). Complete this step twice.

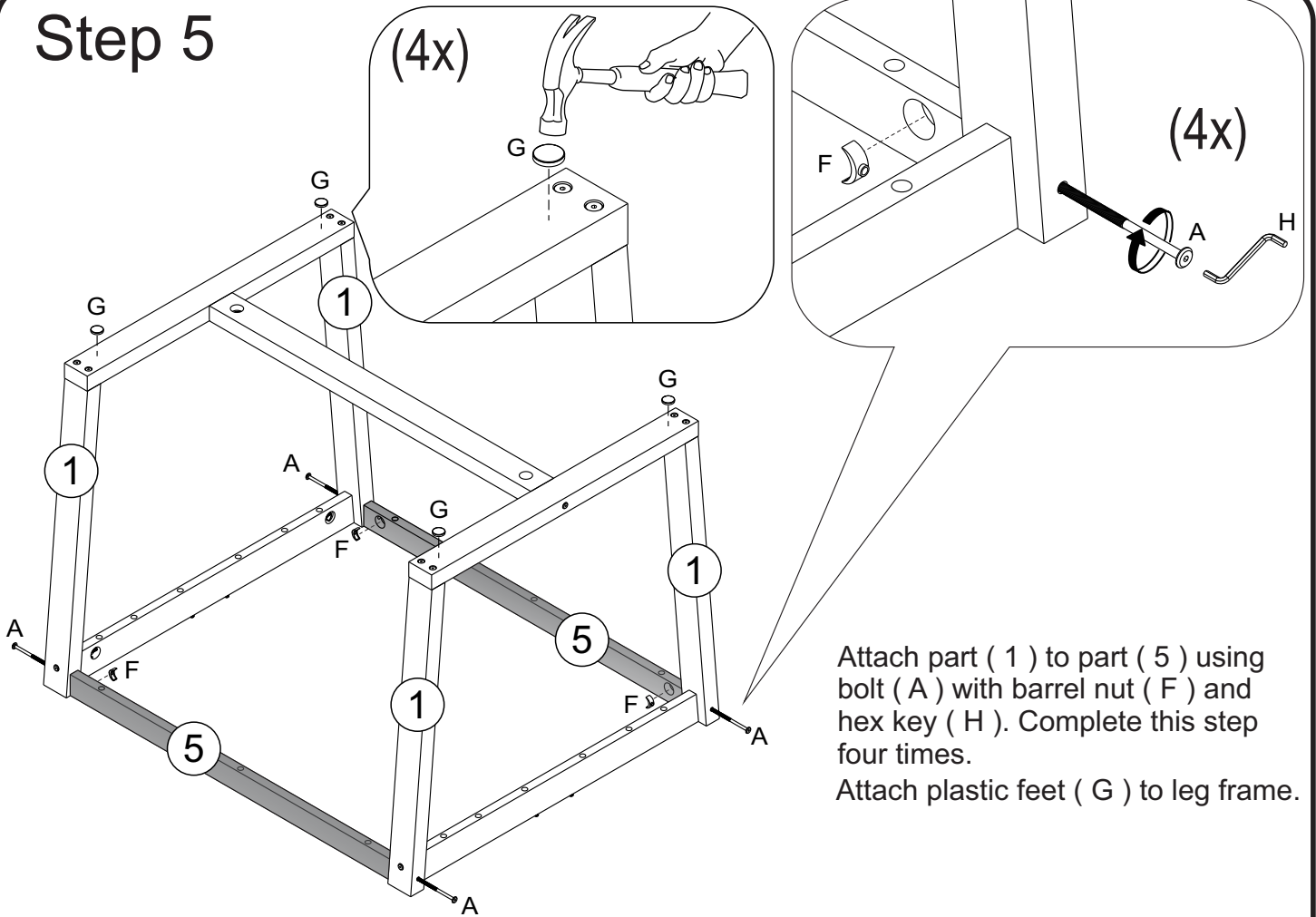


# Step 4

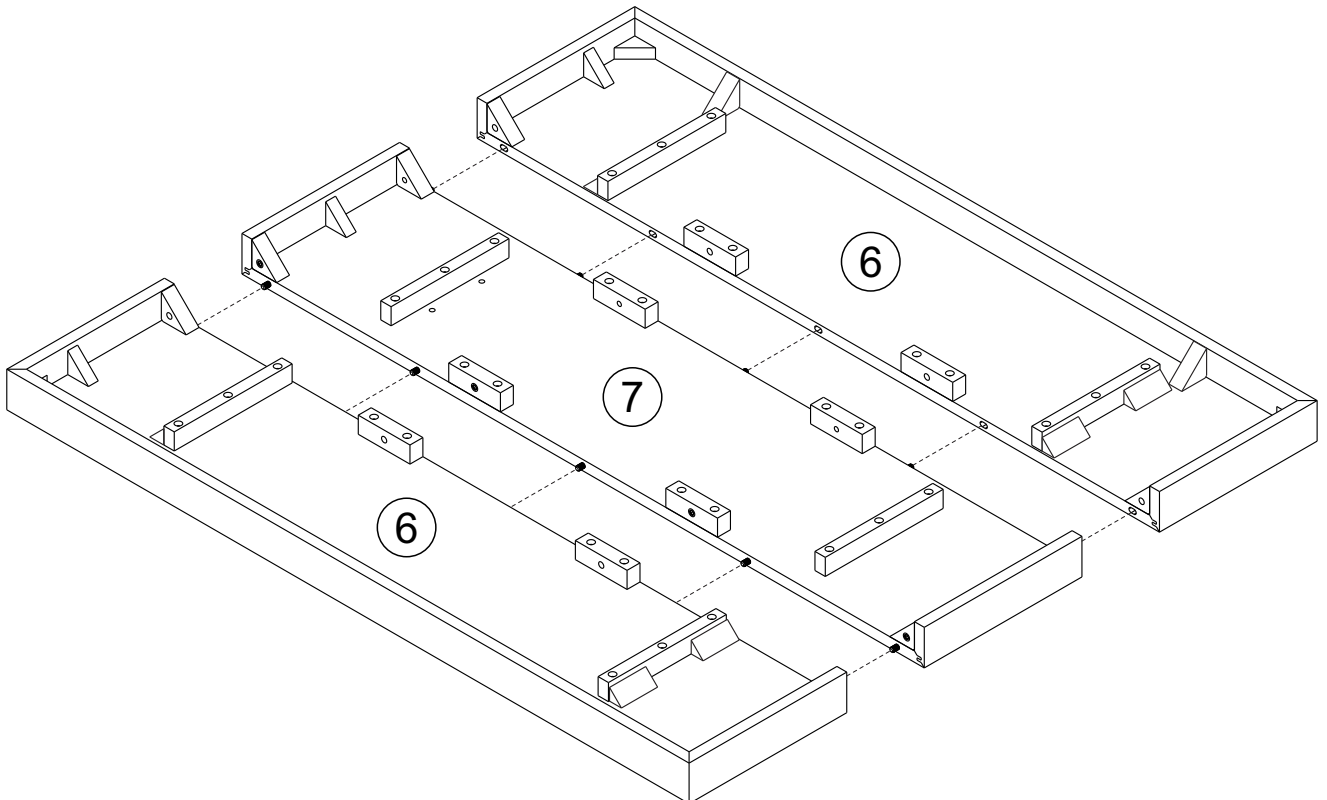
Attach part ( 4 ) to part ( 2 ) using bolt ( A ) with barrel nut ( F ) and hex key ( H ).



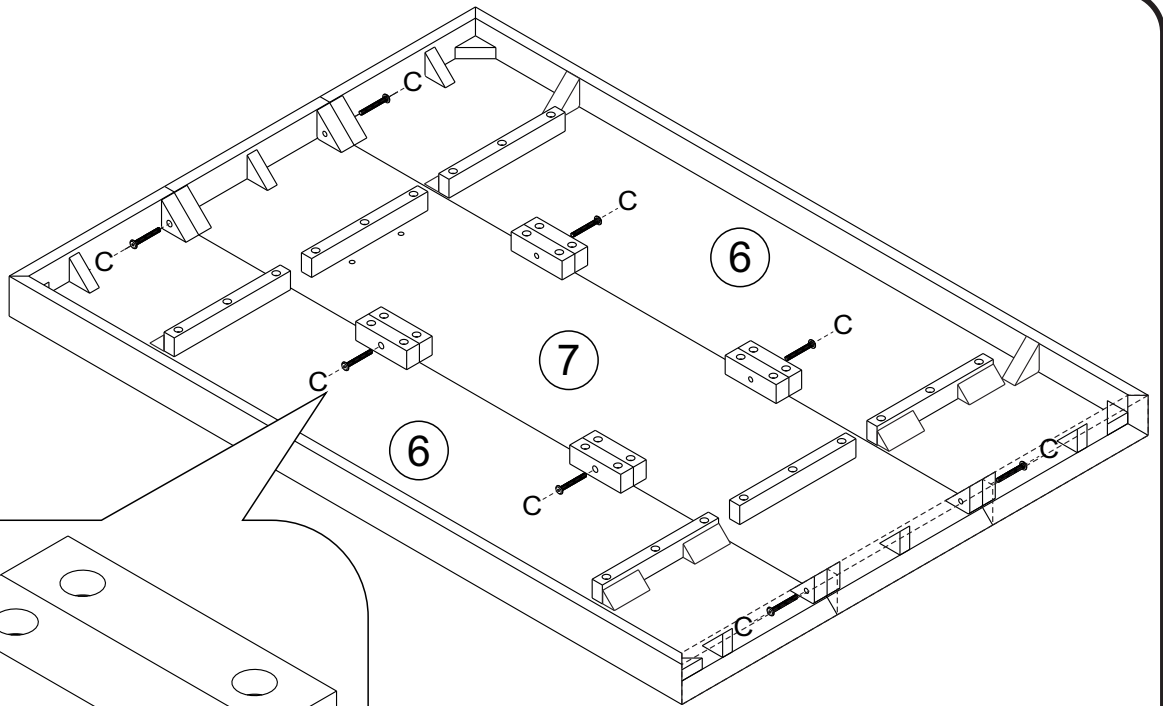
## Step 5



## Step 6

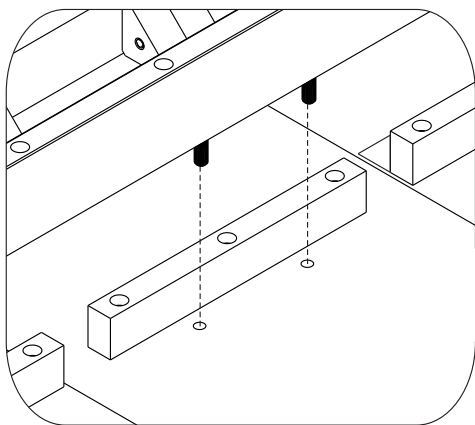


## Step 7



Attach part ( 7 ) to part ( 6 ).  
Secure the pieces using bolt ( C )  
and hex key ( H ).

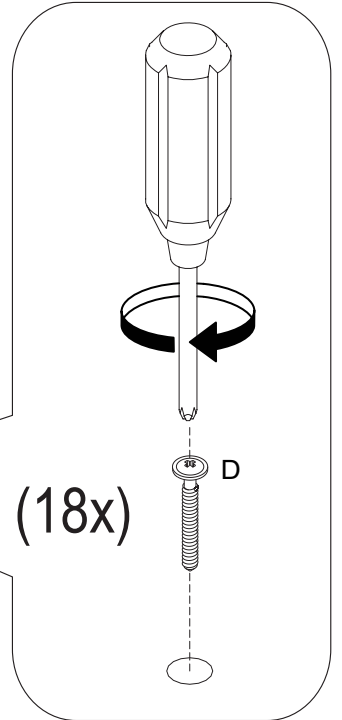
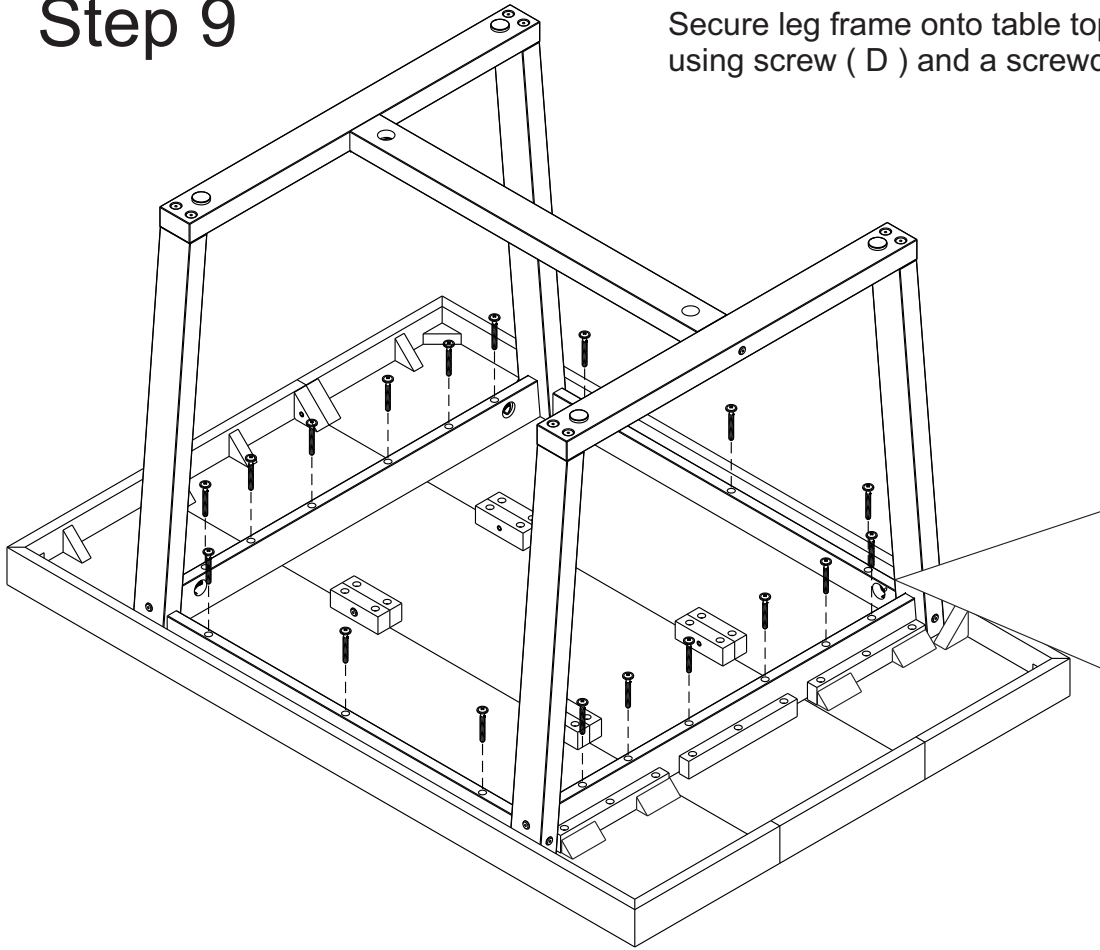
## Step 8



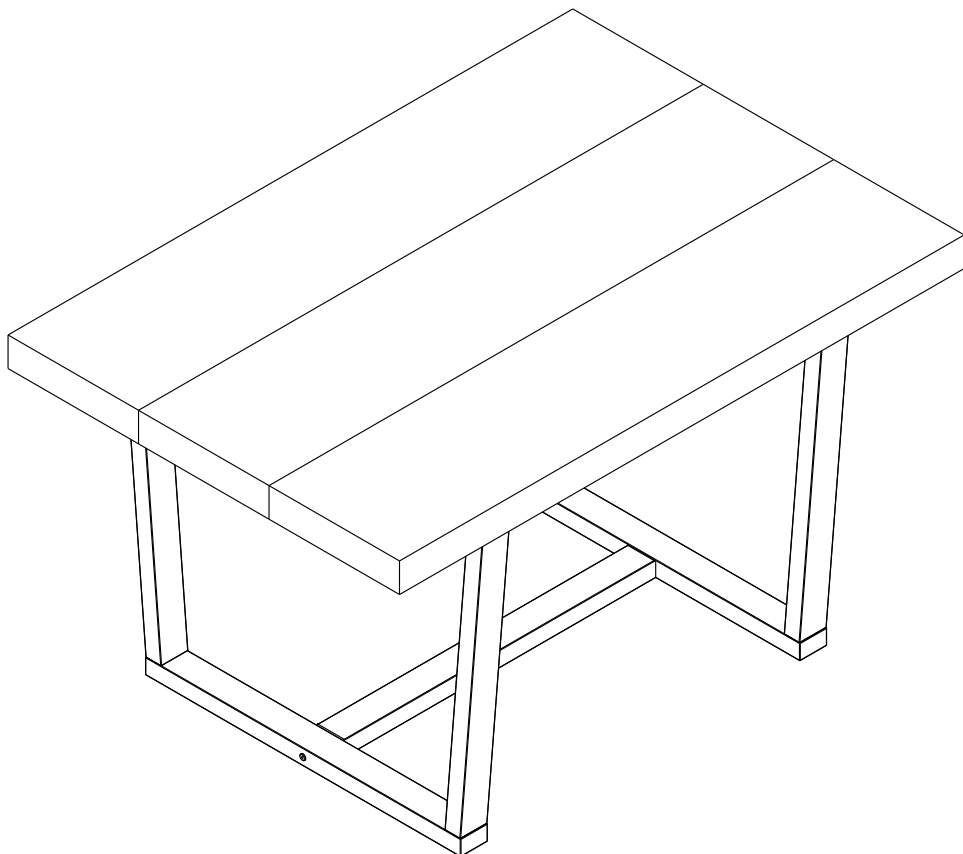
Place leg frame onto table top.

## Step 9

Secure leg frame onto table top using screw ( D ) and a screwdriver.



## Step 10



Final Assembly.