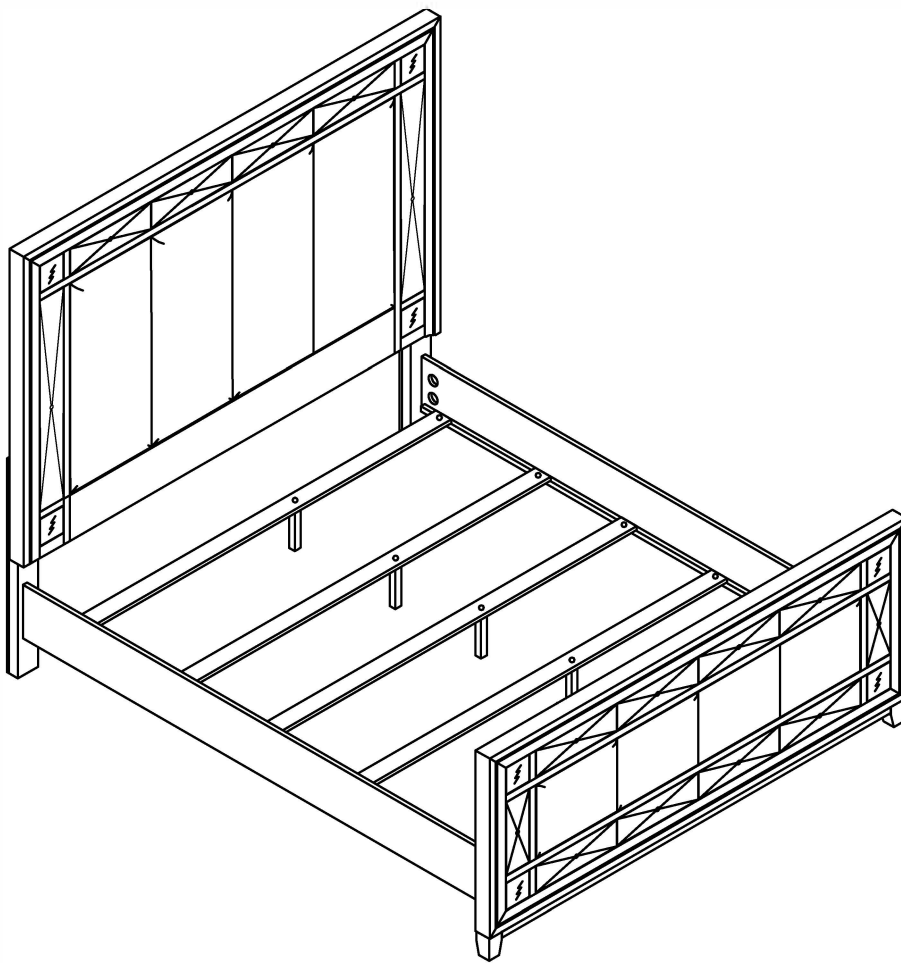


# ASSEMBLY INSTRUCTIONS



*Fine Furniture for every stage of life*

**Queen Bed**

REVISION 0 : 06/15/2016  
REVISION 1 : 08/05/2019  
REVISION 2 : 11/29/2019

# ITEM (B1-B3)

## ASSEMBLY INSTRUCTIONS

### ASSEMBLY TIPS:

1. Remove hardware from box and sort by size
2. Please check to see that all hardware and parts are present prior to start of assembly.
3. Please follow attached instruction in the same sequence as numbered to assure fast & easy assembly.



### WARNING!

1. Don't attempt to repair or modify parts that are broken or defective. Please contact the store immediately.
2. This product is for home use only and not intended for commercial establishments.



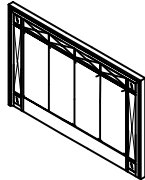
ASSEMBLY TIME

20 MINUTES

## PARTS IDENTIFICATION

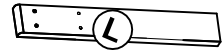
### B1 (BOX 1)

AN HEADBOARD  
PANEL



1PC

BN LEFT HEADBOARD  
LEG



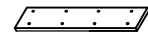
1PC

CN RIGHT HEADBOARD  
LEG



1PC

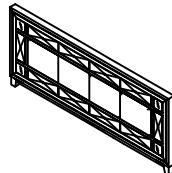
DN WOOD CLEAT



2PCS

### B2 (BOX 2)

EN FOOTBOARD



1PC

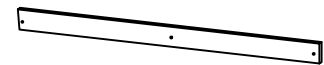
### B3 (BOX 3)

FN BED RAIL



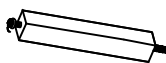
2PCS

GN BED SLAT



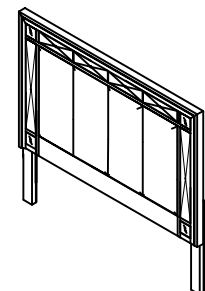
4PCS

HN BED SLAT SUPPORT  
WITH LEVELER



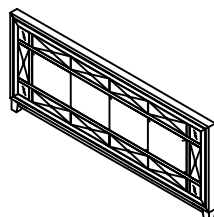
4PCS

HBN (B1)  
FROM BOX 1  
HEADBOARD  
COMPLETE



1PC

EN (B2)  
FROM BOX 2  
FOOTBOARD



1PC

# ITEM: (B1-B3)

## ASSEMBLY INSTRUCTIONS

### ASSEMBLY TIPS:

1. Remove hardware from box and sort by size
2. Please check to see that all hardware and parts are present prior to start of assembly.
3. Please follow attached instruction in the same sequence as numbered to assure fast & easy assembly.



### WARNING!

1. Don't attempt to repair or modify parts that are broken or defective. Please contact the store immediately.
2. This product is for home use only and not intended for commercial establishments.

## HARDWARE IDENTIFICATION

### Z-B1 (BOX 1) - HARDWARE PACK IS LOCATED IN (B1)

1 BOLT  
(5/16" x 38mm - RBW)



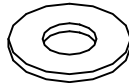
16PCS

2 LOCK WASHER  
(5/16" - RBW)



16PCS

3 FLAT WASHER  
(5/16" - RBW)



16PCS

4 ALLEN WRENCH  
(4MM - RBW)



1PC

### Z-B3 (BOX 3) - HARDWARE PACK IS LOCATED IN (B3)

5 THREADED BOLT  
(5/16" x 3" - RBW)



8PCS

6 U-SQUARE WASHER  
(5/16" - RBW)



8PCS

7 HEX NUT  
(5/16" x 14mm - RBW)



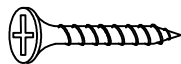
8PCS

8 WRENCH  
(14MM-RBW)



1PC

9 FLAT HEAD SCREW  
(Ø4 x 30mm - RBW)



8PCS

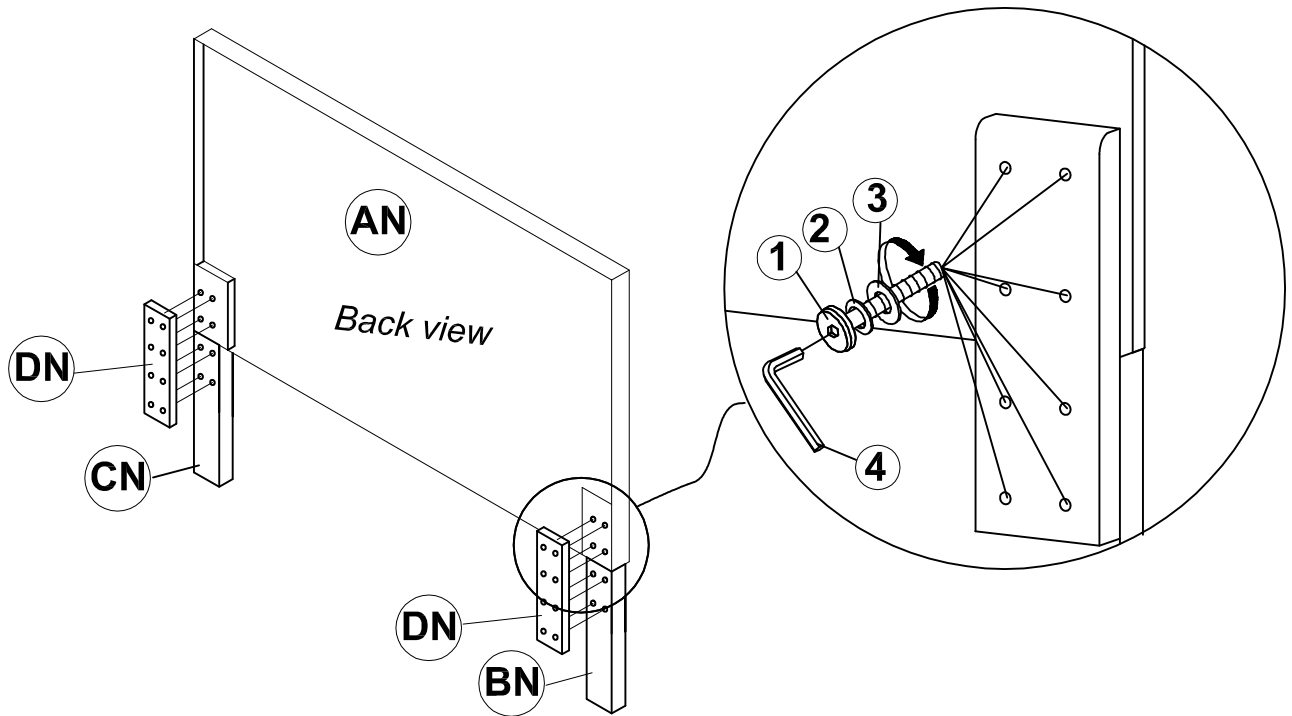
### NOTE:

Phillips head screw driver is required in the assembly process; however, manufacturer does not provide this item.

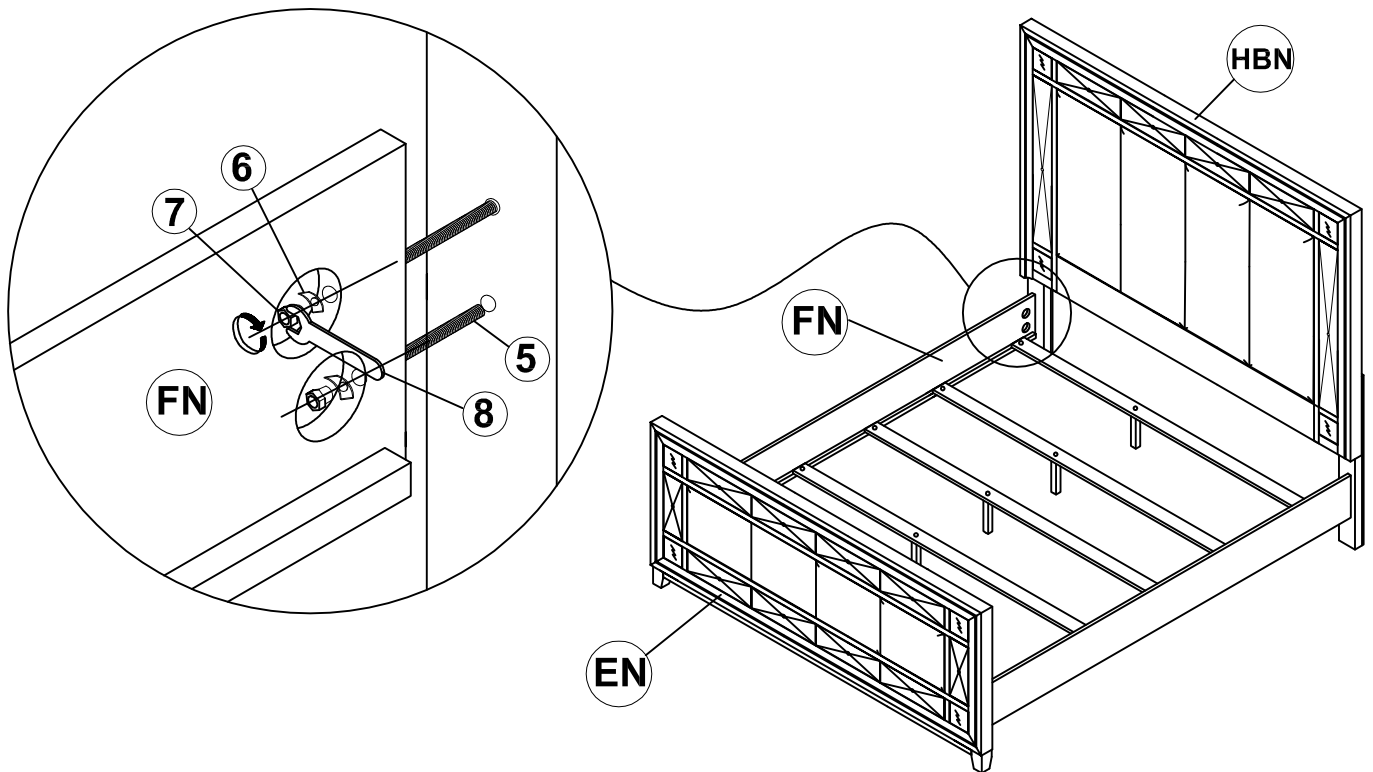
# ITEM: (B1-B3)

## ASSEMBLY INSTRUCTIONS

### STEP 1



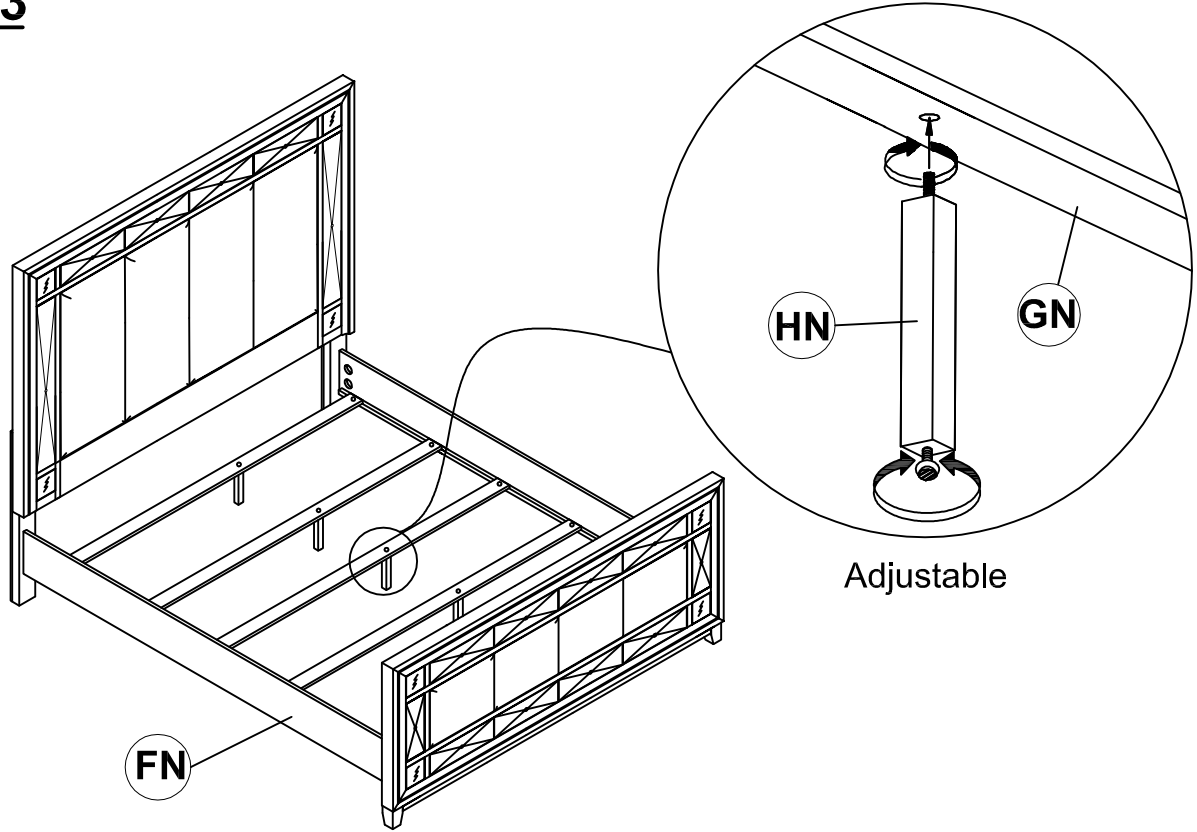
### STEP 2



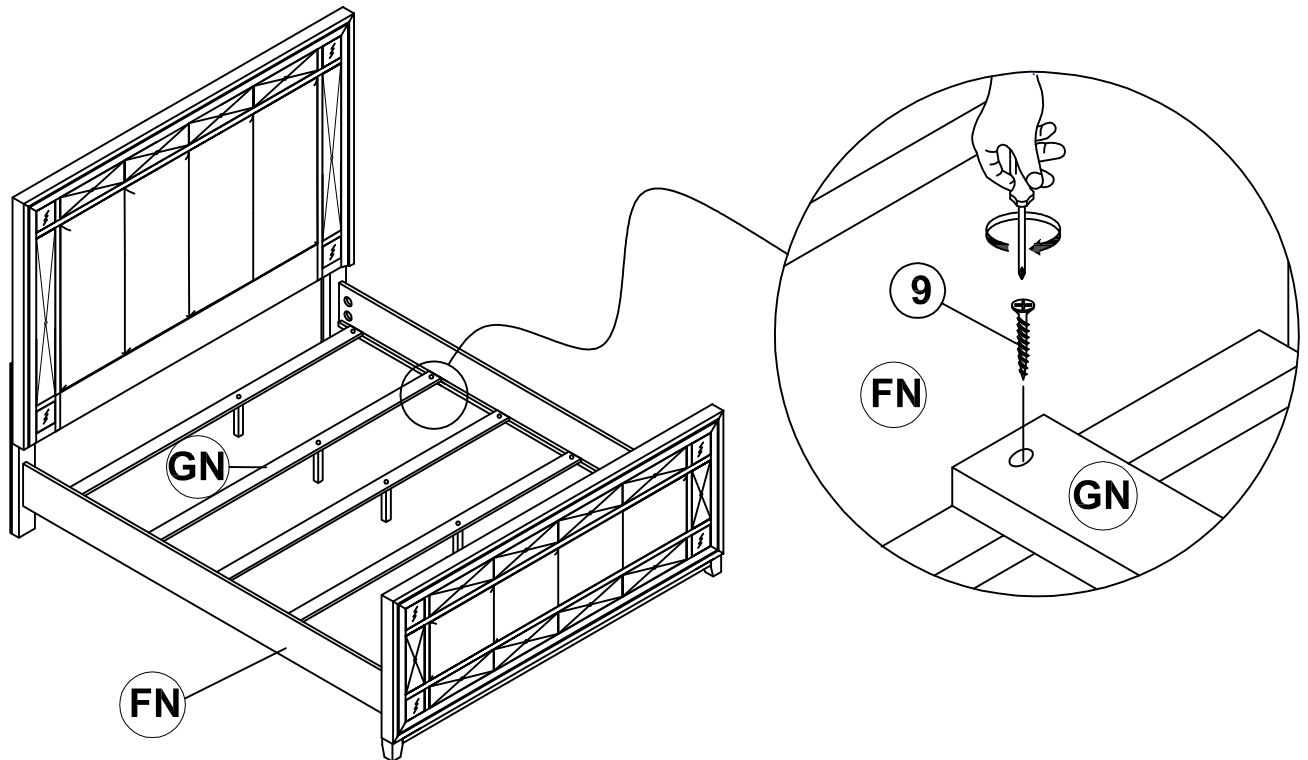
# ITEM: (B1-B3)

## ASSEMBLY INSTRUCTIONS

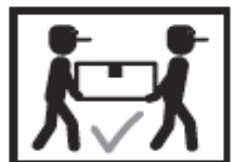
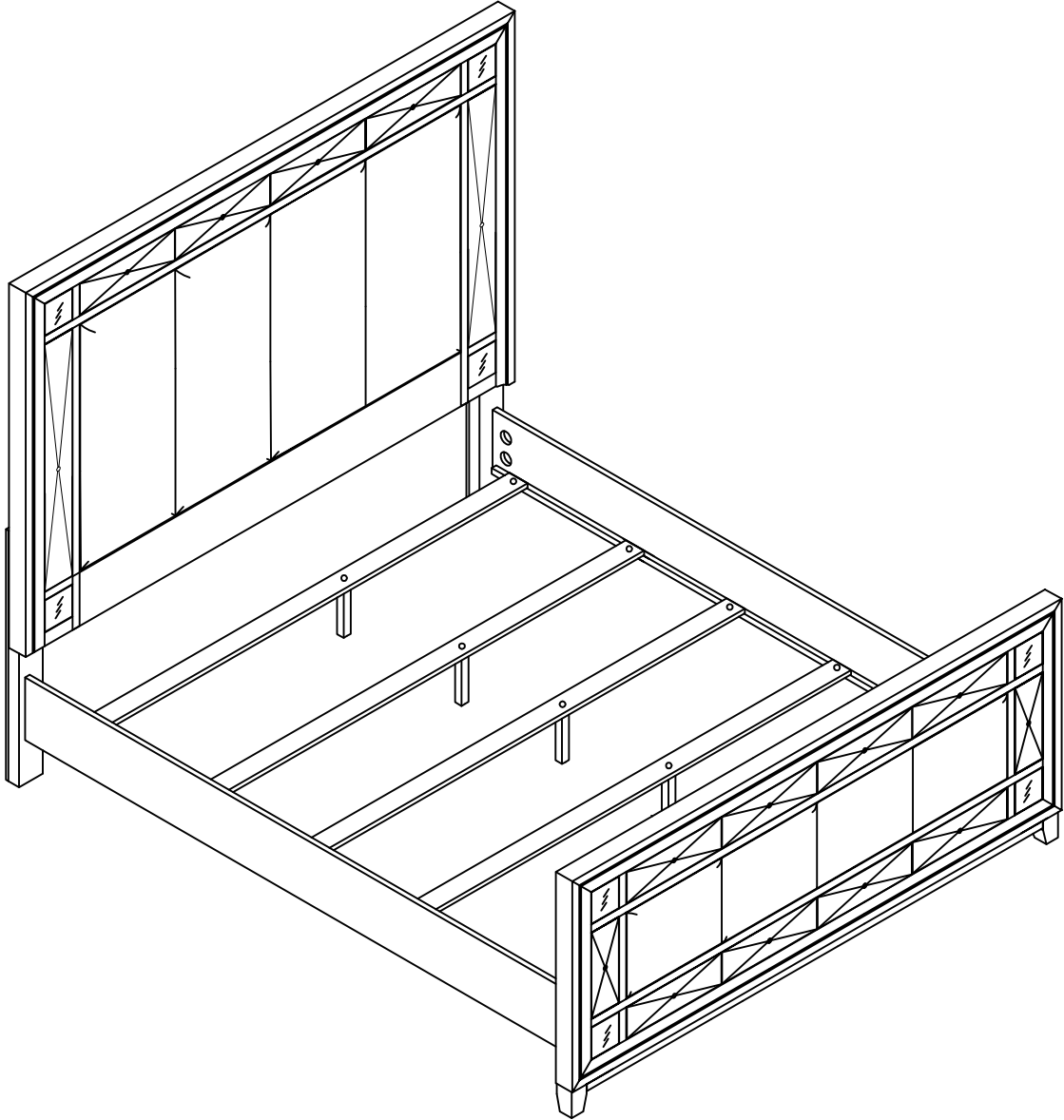
### STEP 3



### STEP 4

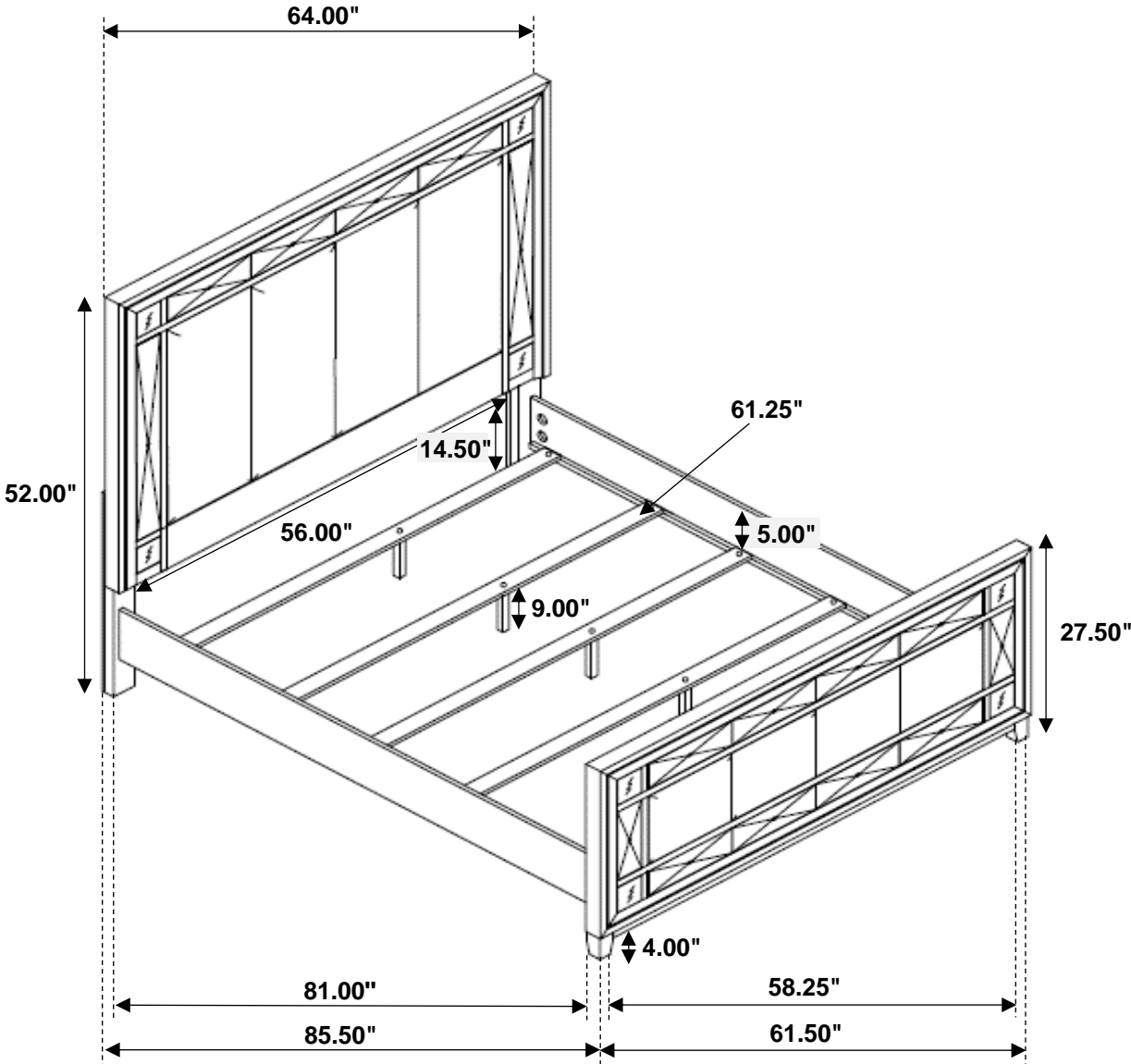


ITEM: **(B1-B3)**  
ASSEMBLY INSTRUCTIONS  
**STEP 5**  
**COMPLETE**



**ITEM: (B1-B3)**

Inner Size: 61.25"W X 81.00"D



Note: Dimension tolerance  $\pm 5\%$