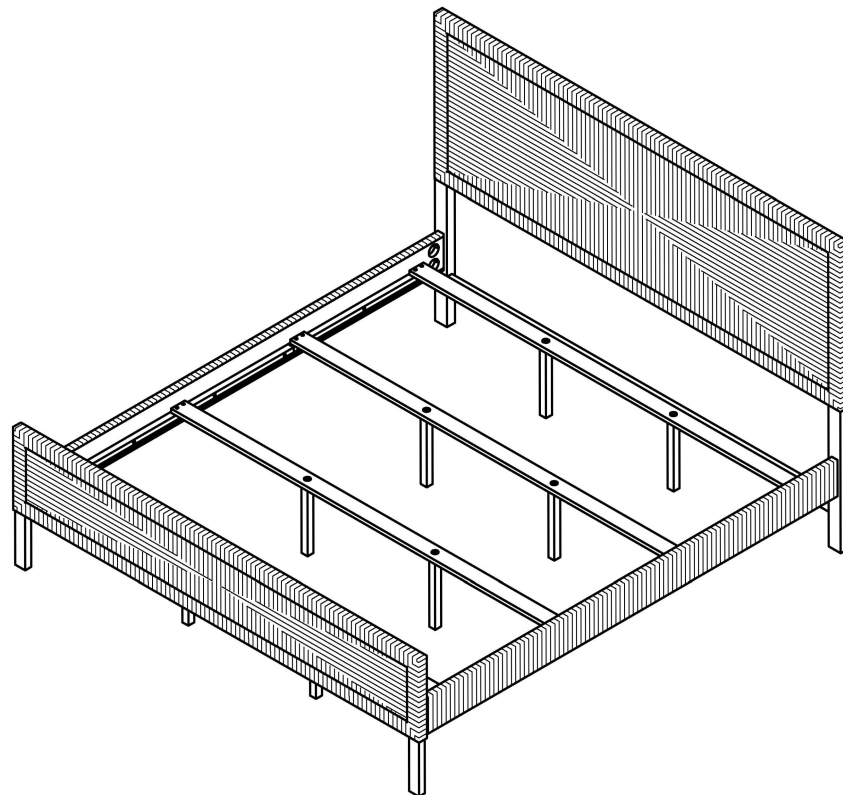


WOVEN BANANA STEM KING BED

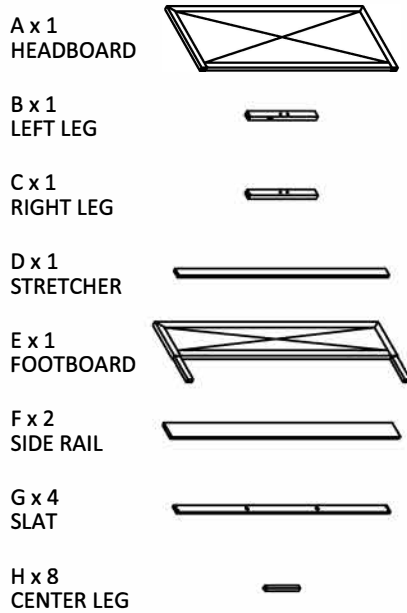
Assembly Instructions



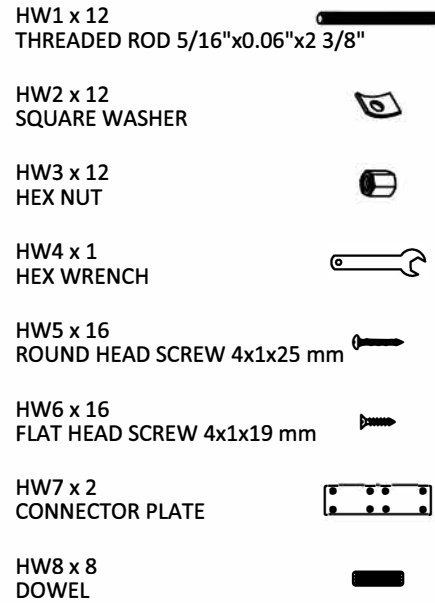
Thanks for bringing into your home

Every thing we make is incredibly simple to set up, including your new king bed. You won't need any additional tools.

Parts List

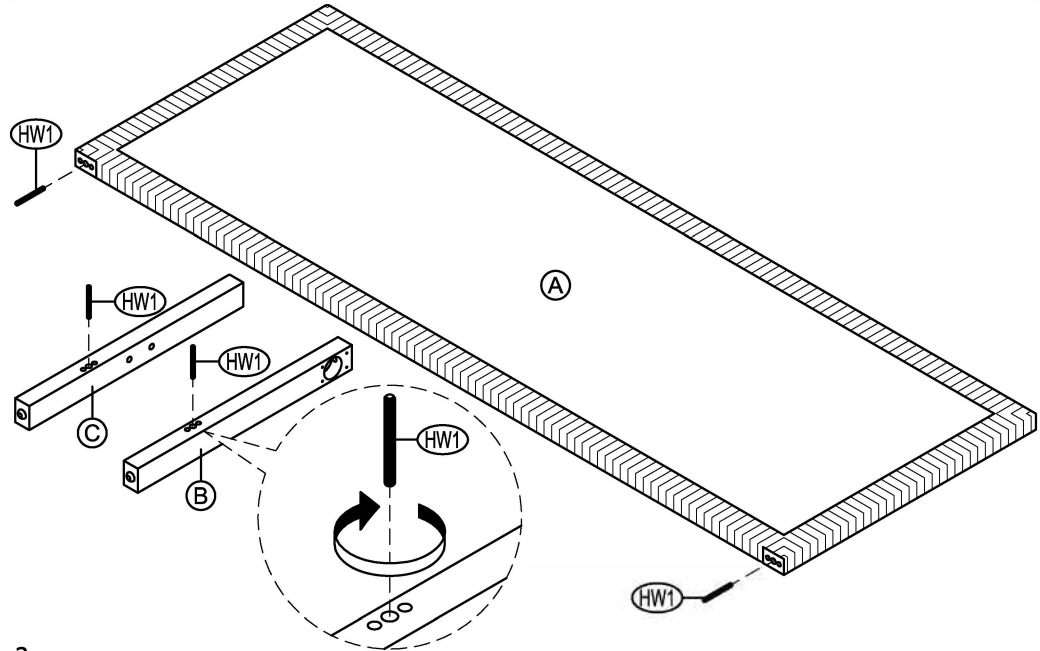


Hardware List



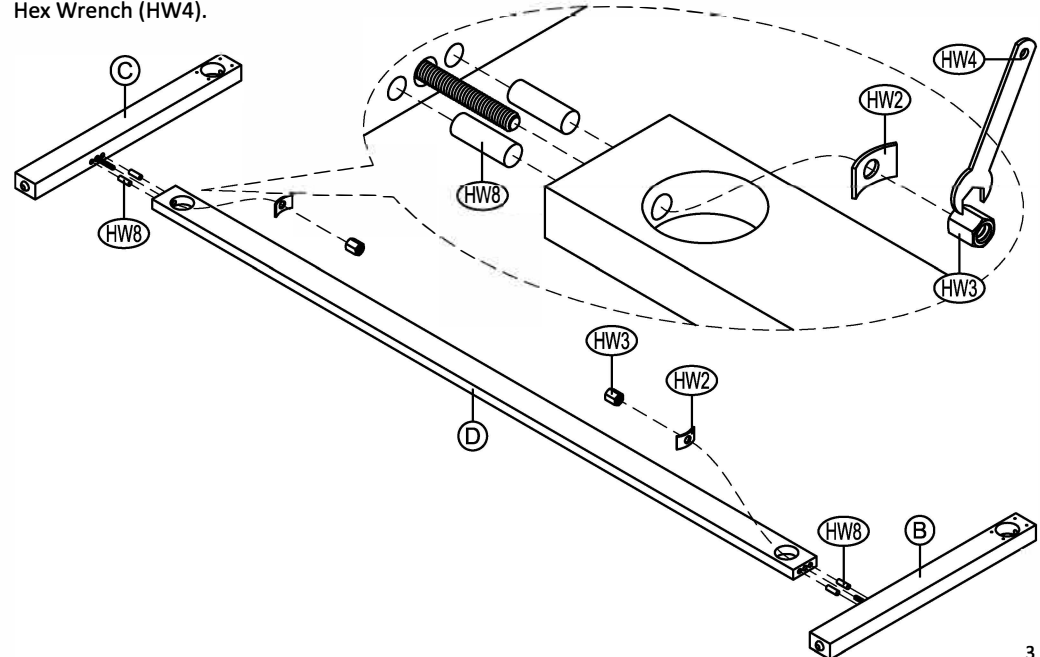
1

Screw in Threaded Rods (HW1) to the Headboard (A). Screw in a Threaded Rod (HW1) to the Left Headboard Leg and the Right Headboard Leg (B and C). Then tighten the rods (HW1).



2

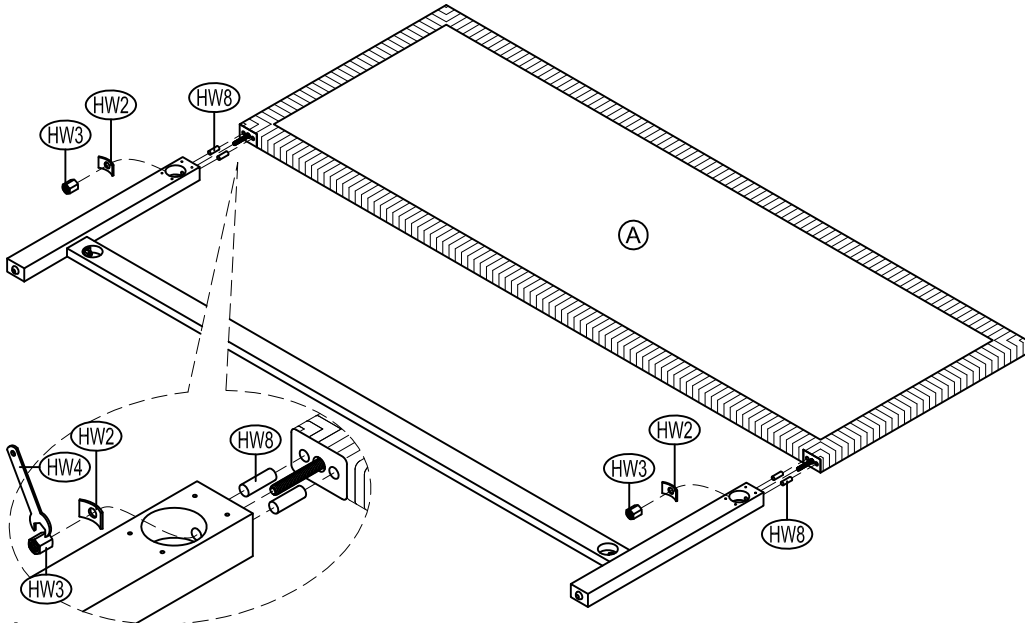
Attach Left and Right Legs (B and C) to the Stretcher (D) by placing Dowels (HW8) into the holes. Use the Square Washers (HW2) and Hex Nuts (HW3) to hold the Dowels in place. Tighten Nuts (HW3) by using Hex Wrench (HW4).



3

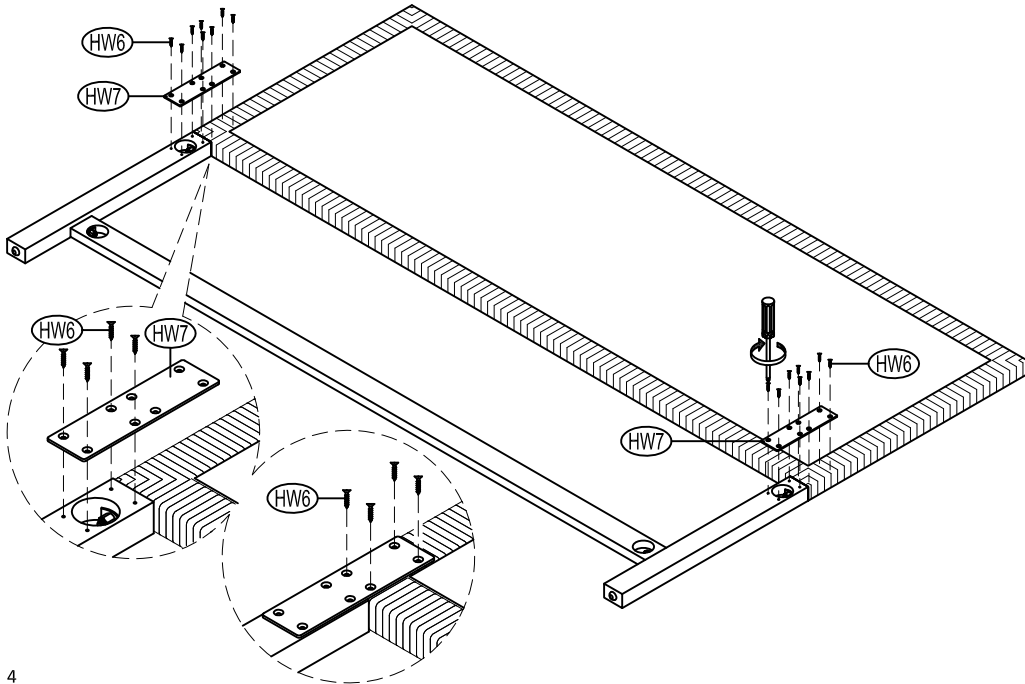
Attach the Headboard to the Legs by placing Dowels (HW8) into the holes. Use the Square Washers (HW2) and Hex Nuts (HW3) to hold the Dowels in place. Tighten the Nuts (HW3) using the Hex Wrench (HW4).

Note: Make sure the Nut construction is really tight before doing step 4.



4

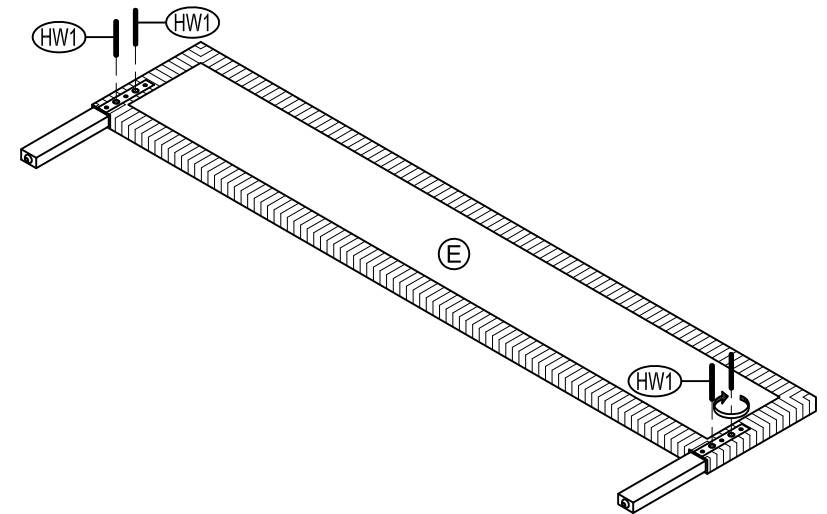
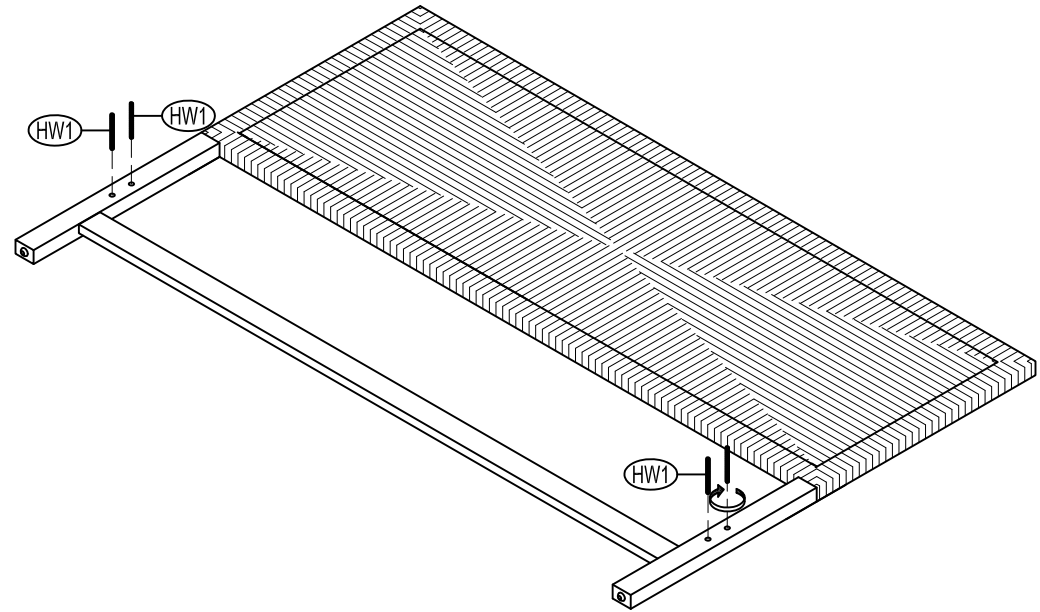
Attach the Connector Plates (HW7) to the Headboard by using Flat Head Screws 19mm (HW6).



4

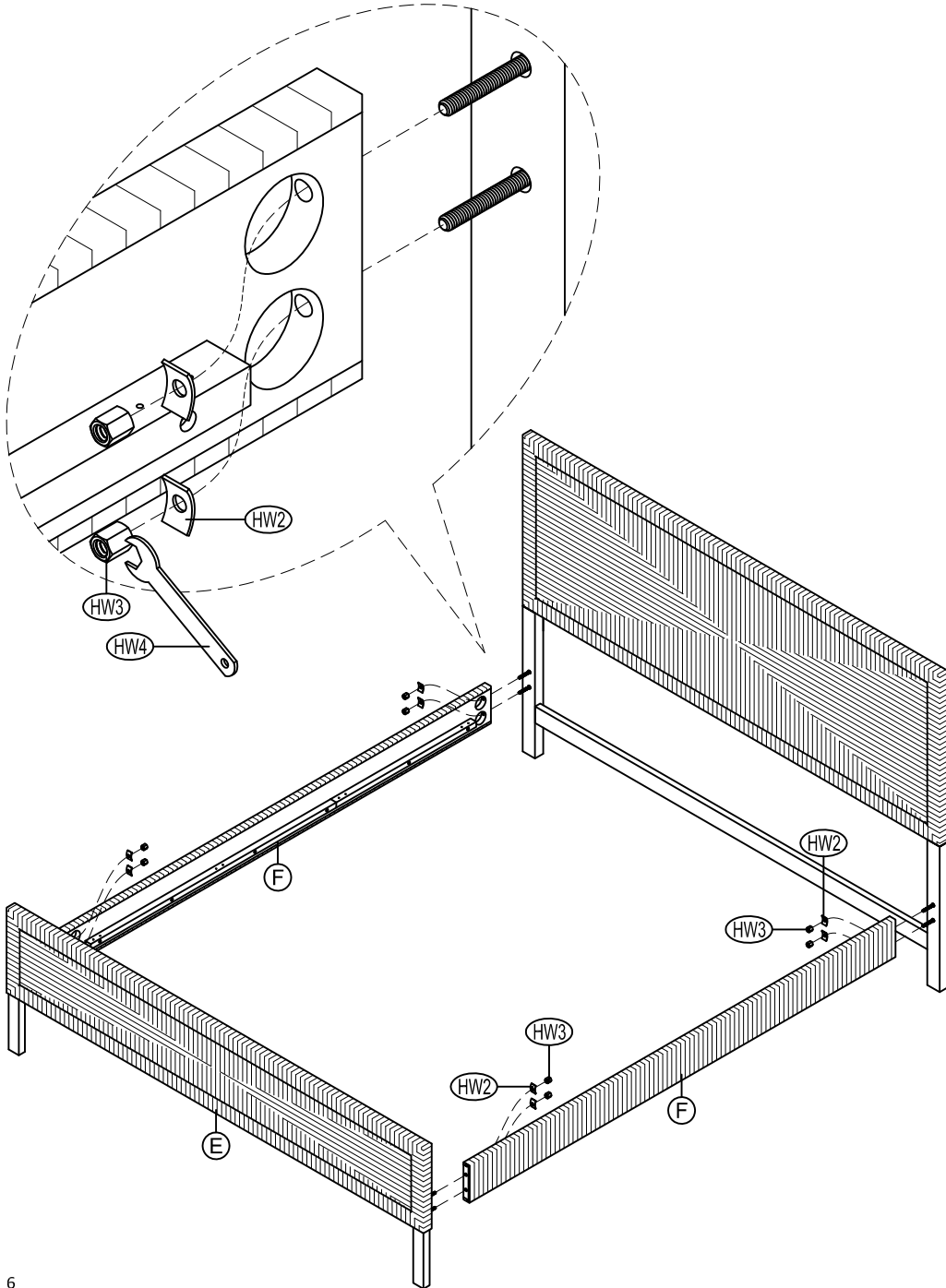
5

Attach Threaded Rods (HW1) to the Headboard legs and Footboard (E). Tighten the rods.

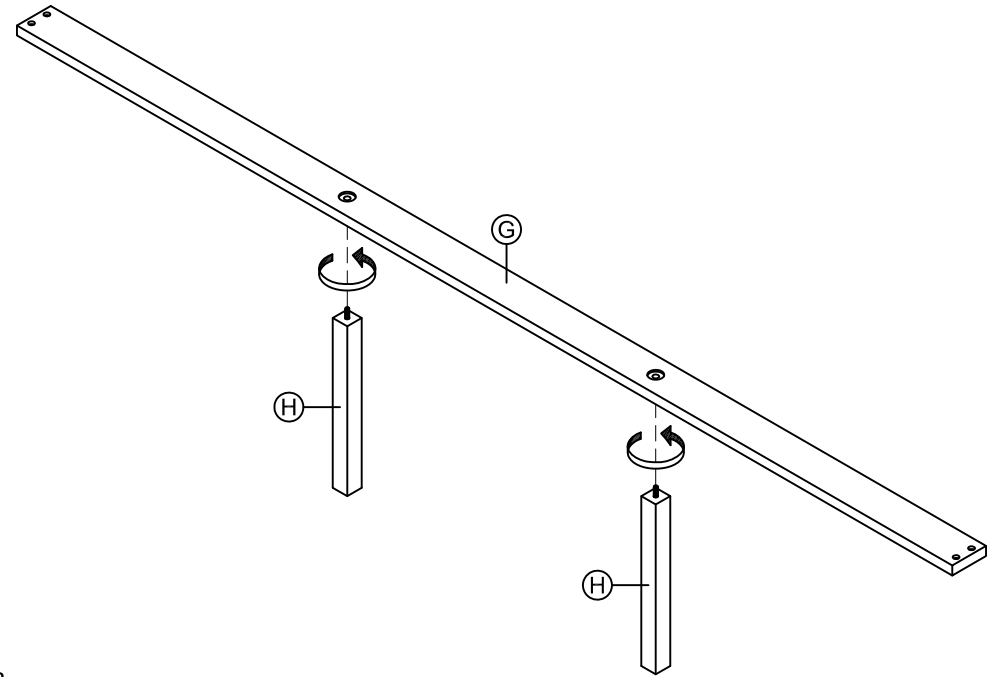


5

Attach Side Rails (F) to the Headboard and Footboard (E) by using Square Washers (HW2) and Hex Nuts (HW3). Tighten Nuts using the Hex Wrench (HW4).



Screw in Center Legs (H) to Slats (G).



Attach the Slats to the Side Rails by screwing in Round Head Screws 25mm (HW5). Level the bed by adjusting the adjustable levelers on the bottom of the Center Legs.

