











Assembly Instructions

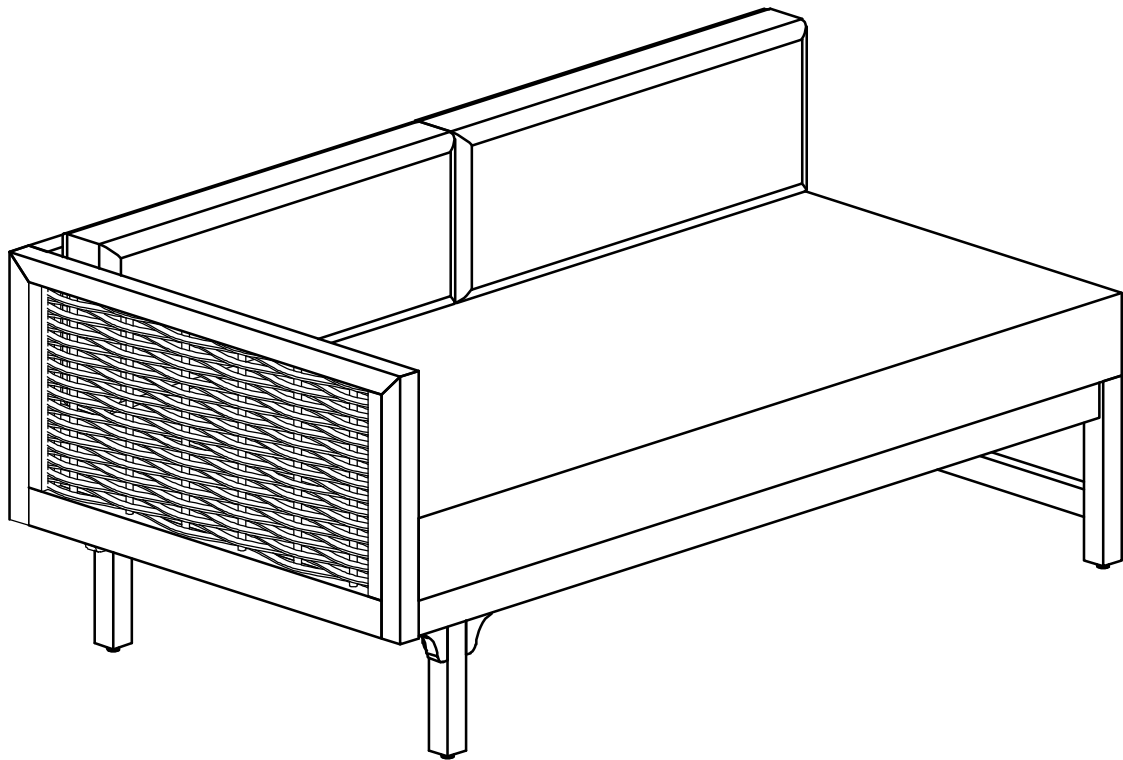
CAUTION: You must read this before you proceed.

Care & Maintenance

- ⊘  • Not for commercial use. For residential use only.
- ⊘  • Do not put hot items directly on furniture surface.
- ⊘  • Do not clean furniture with harsh cleansers or polish.
- ✓  • To obtain the longest lifespan of your outdoor products, minimizing exposure to direct sunlight is recommended.
- ⊘  • Children should not climb or jump on the furniture.
- ⊘  • Do not write on furniture without a padded barrier to protect the surface.
- ✓  • To obtain the longest lifespan of your outdoor products, avoid extended and lengthy exposure to rain, snow, and direct sunshine. Whenever possible cover the product and /or place under patio or awnings.
- ⊘  • Stains may be removed with mild soap solution and damp cloth.
- ✓  • Keep away from sources of ignition.
- ✓  • Dust and pick-up spills using a clean, non-colored, lint- free cloth.

Please look in Seat Panel for hardware packs.

LEFT LOVESEAT

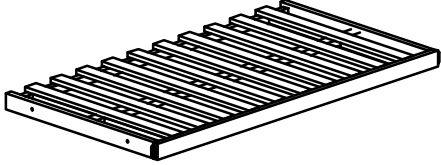
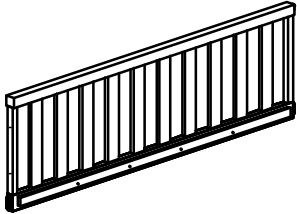
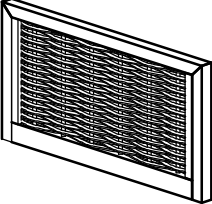
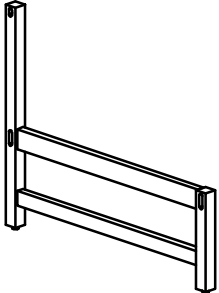

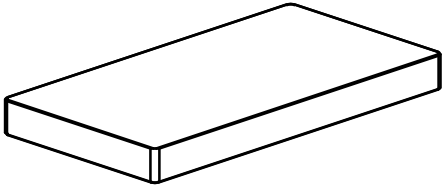
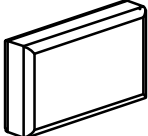


CAUTION : This Left Loveseat is NOT a TOY.





Keep your child / children at bay in the process of assembly.

For turning the Left Loveseat and to prevent damage to the Left Loveseat, 2 persons may be needed to execute this action.

Part List

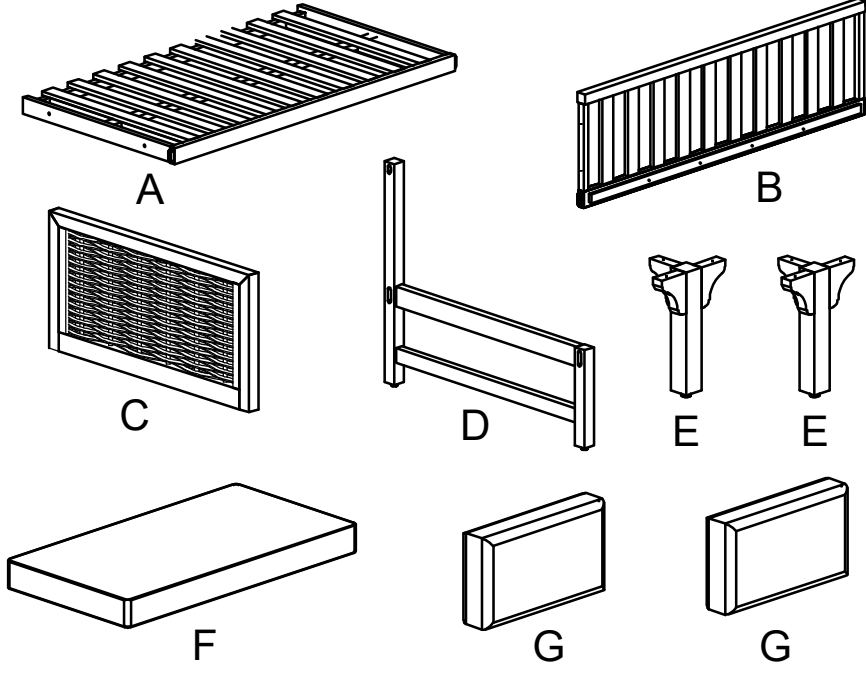
Label	Picture	Description	Qty
A		Seat Panel	1
B		Backrest Panel	1
C		Left Arm Panel	1
D		Right Leg Panel	1
E		Legs	2
F		Seat Cushion	1
G		Back Cushion	2

Hardware





Label	Picture	Description	Qty
①		Allen Wrench	1
②		Screw (M7*70mm)	4
③		Screw (M6*45mm)	11
④		Bolt (M6*40mm)	5






Assembly Preparation

Before Beginning Assembly:



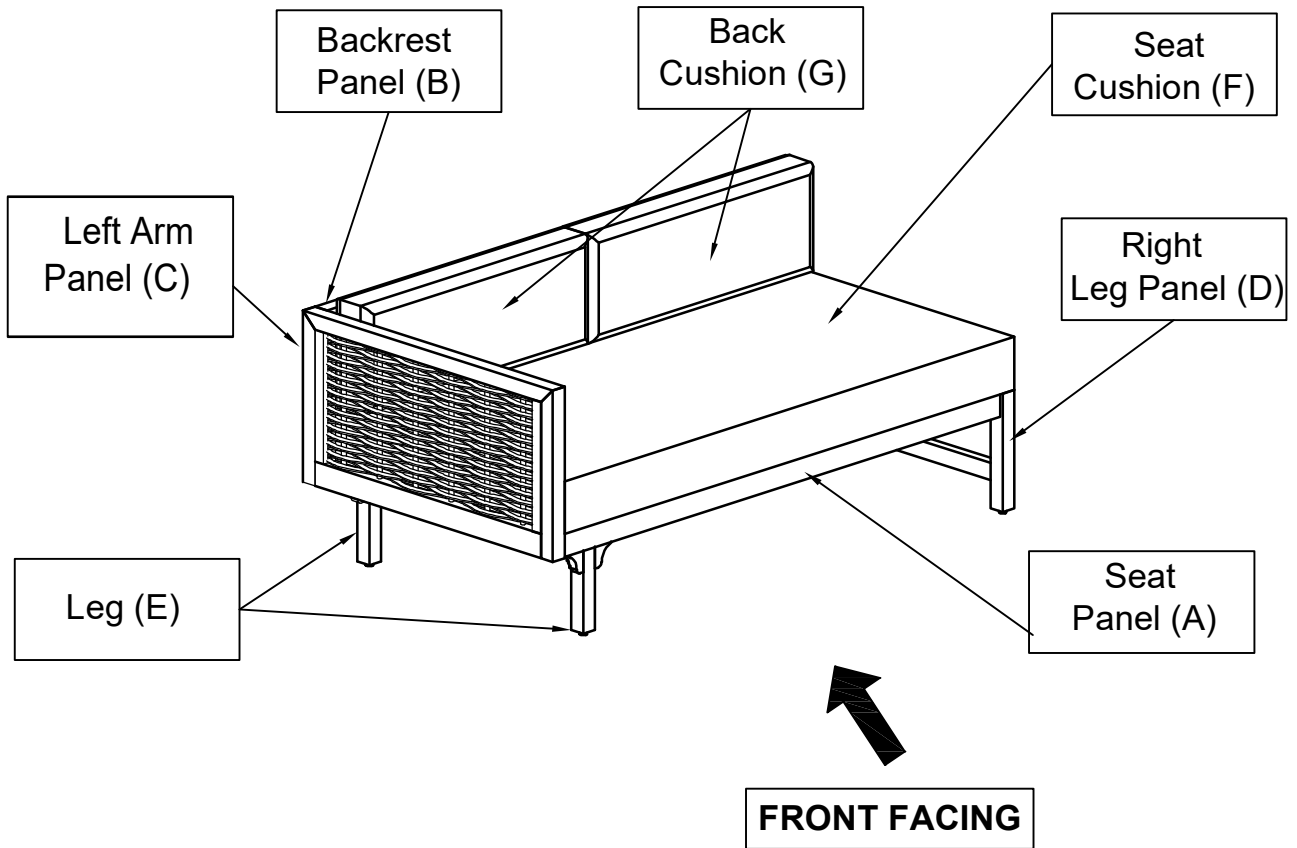
A B
C D E E
F G G

①		x1
②		x4
③		x11
④		x5

-  • Read instruction, cover to cover-
-  • Have 2 adults on hand for assembly-
-  • Do not assembly on flooring or carpet-
-  • Assemble on a clena non- marring surface (packing foam)-
-  • Save all packaging until finished-

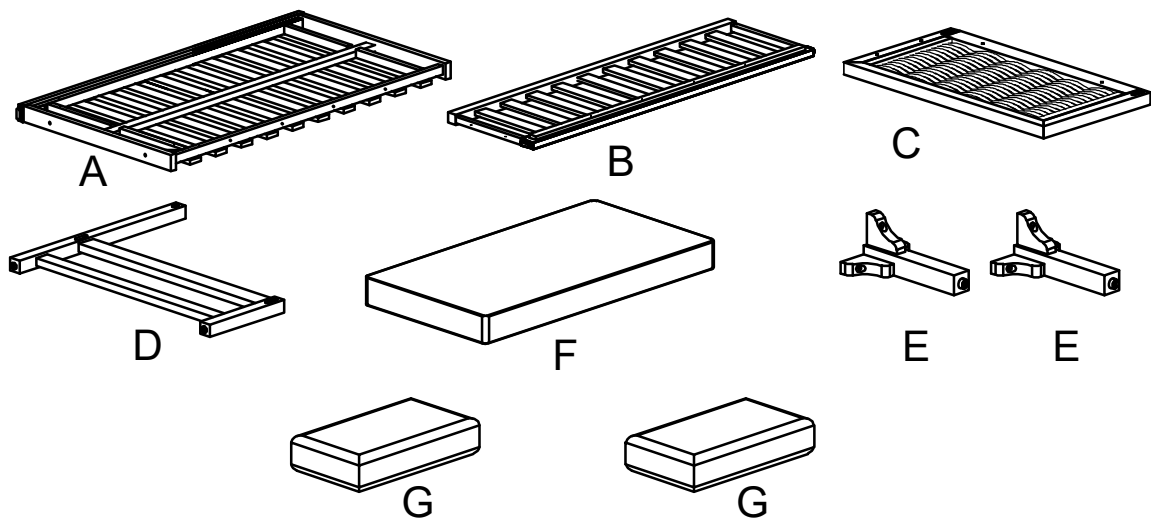
Assembly Steps

OVERVIEW



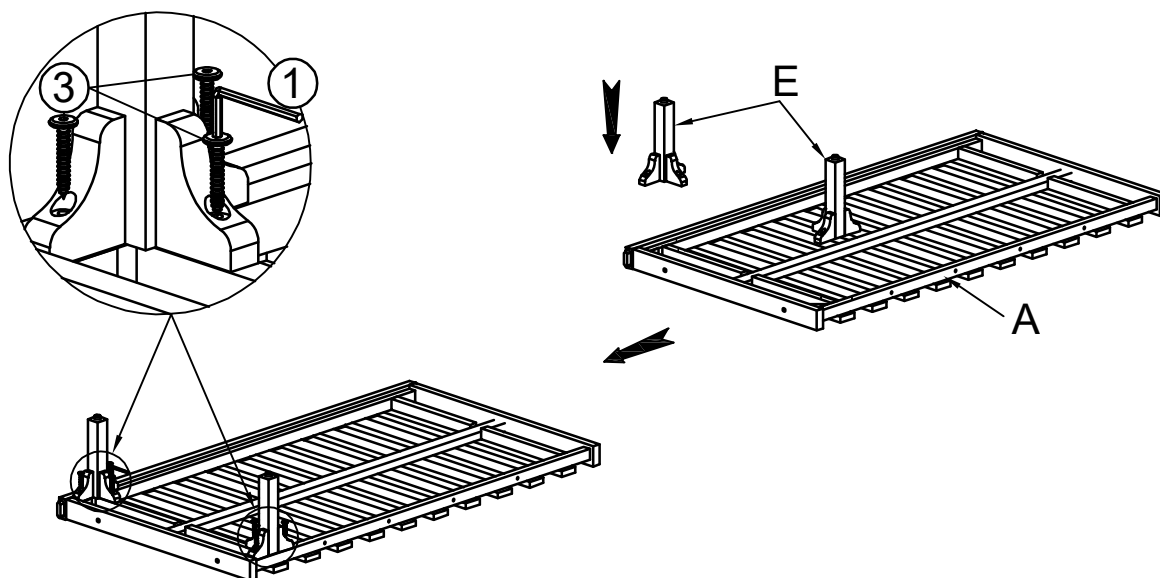
This Left Loveseat has multiple parts and may require up to some 30 minutes to assemble. To give you an overview of the Left Loveseat, the above picture is to help you put the various parts into perspective. Please read through the instructions here below to familiarise the parts and steps before assembly.

Step 1



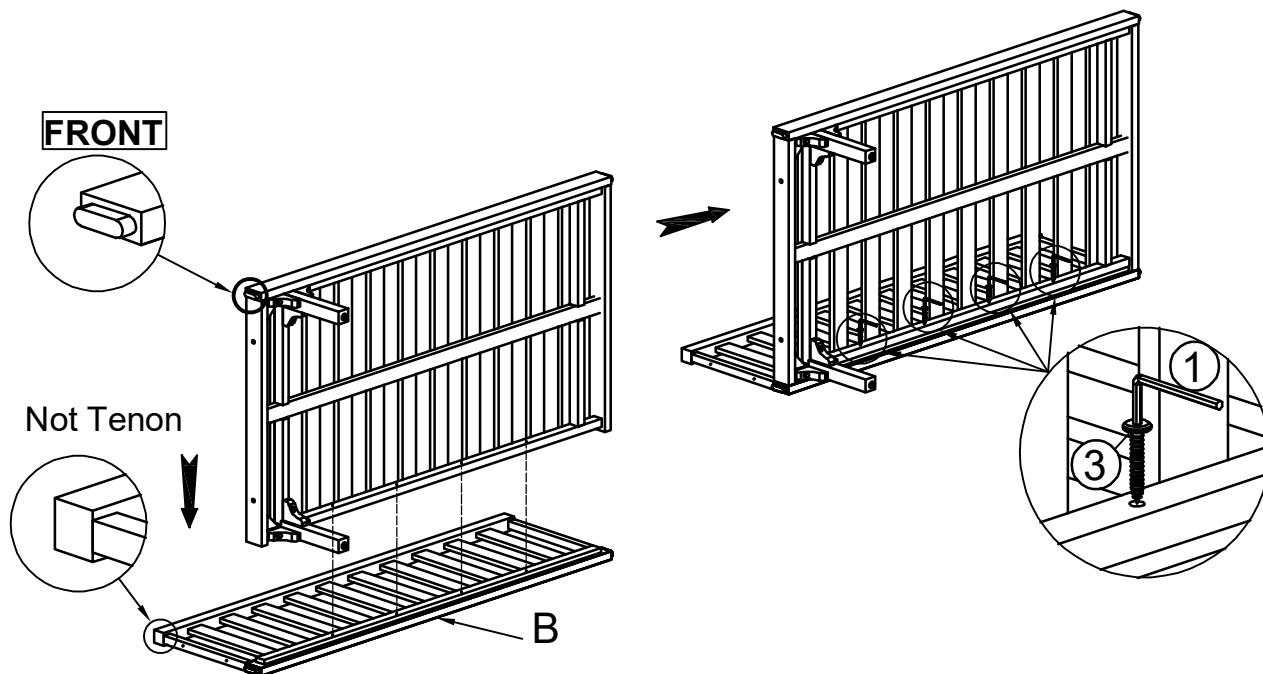
Unpack and place all parts on a clean, non-marring surface.

Step 2



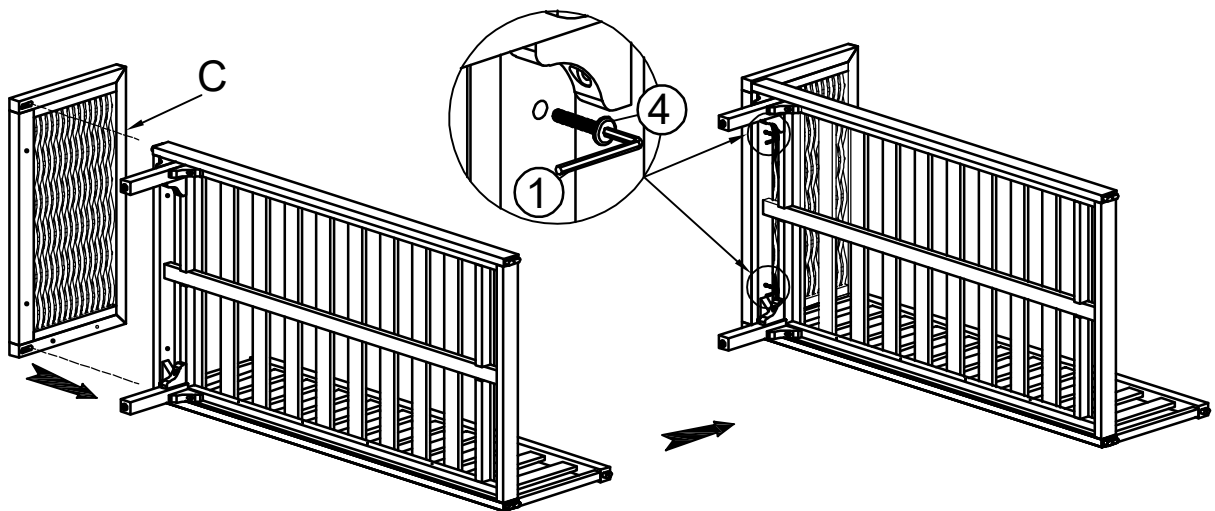
With the help your adult partners, place Seat Panel (A) as above picture. Attach Legs (E) to Seat Panel (A) by using 6 Screws (3) with Allen Wrench (1).
Do not fully tighten the Screws.

Step 3



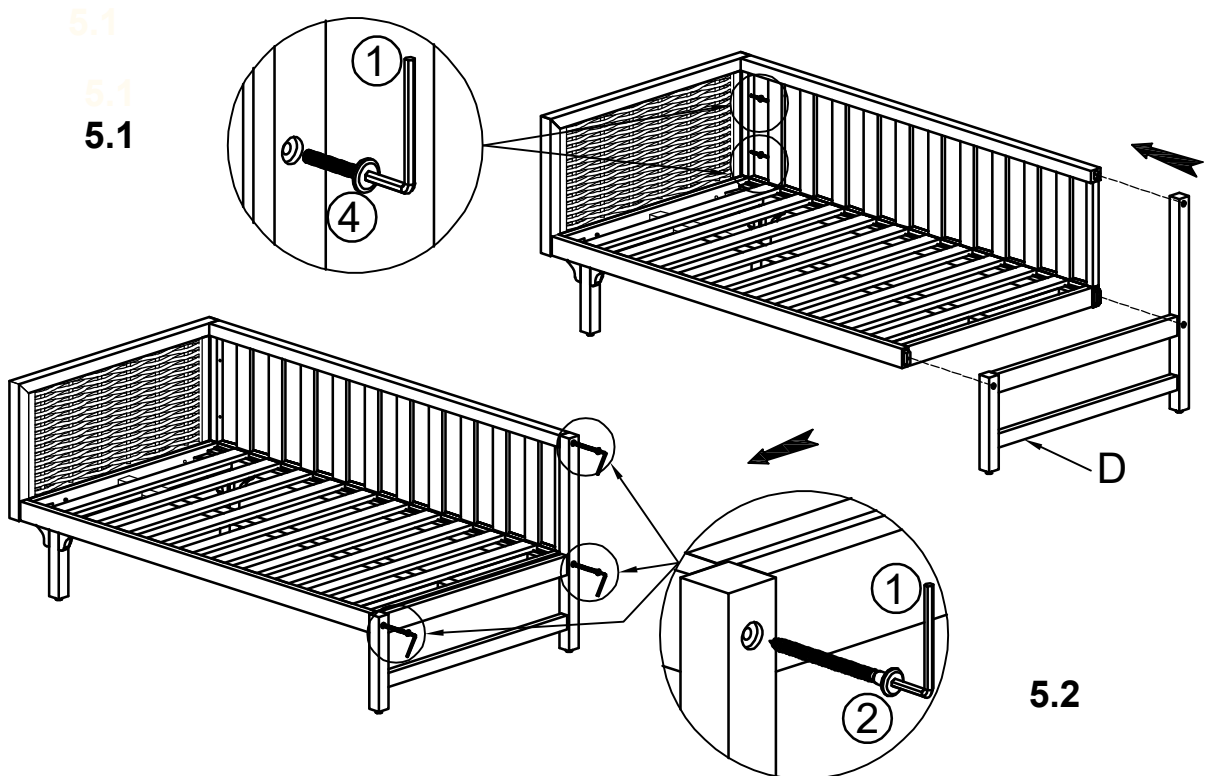
Attach Backrest Panel (B) to the side of Seat Panel (A) by using 4 Screws (3) and Allen Wrench (1).
Do not fully tighten the Screws.

Step 4



Attach Left Arm Panel (C) to Seat Panel (A) by using 2 Bolts (④) and Allen Wrench (①).
Do not fully tighten the Bolts.

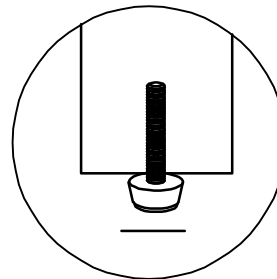
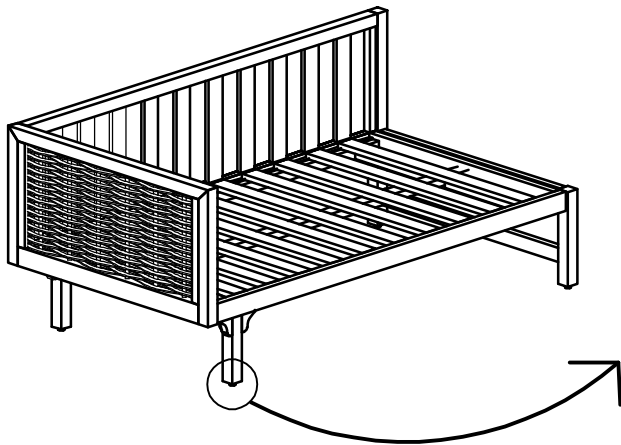
Step 5



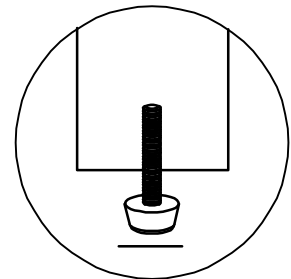
5.1) Attach Left Arm Panel (C) to Backrest Panel (B) by using 2 Bolts (④) and Allen Wrench (①).

5.2) Attach Right Leg Panel (D) to Backrest Panel (B) and Seat Panel (A) by using 3 Screws (②) and Allen Wrench (①). **Do not fully tighten the Screws and Bolts.**

Step 6



Adjust height for
balance



Adjust low for
balance

Adjust Pre-installed

Turn the Left Loveseat to the right side.

Inspect it and make sure all parts are adequately connected.

Gently and gracefully, sit onto the Left Loveseat.

This will help to align all the parts at all joint areas.

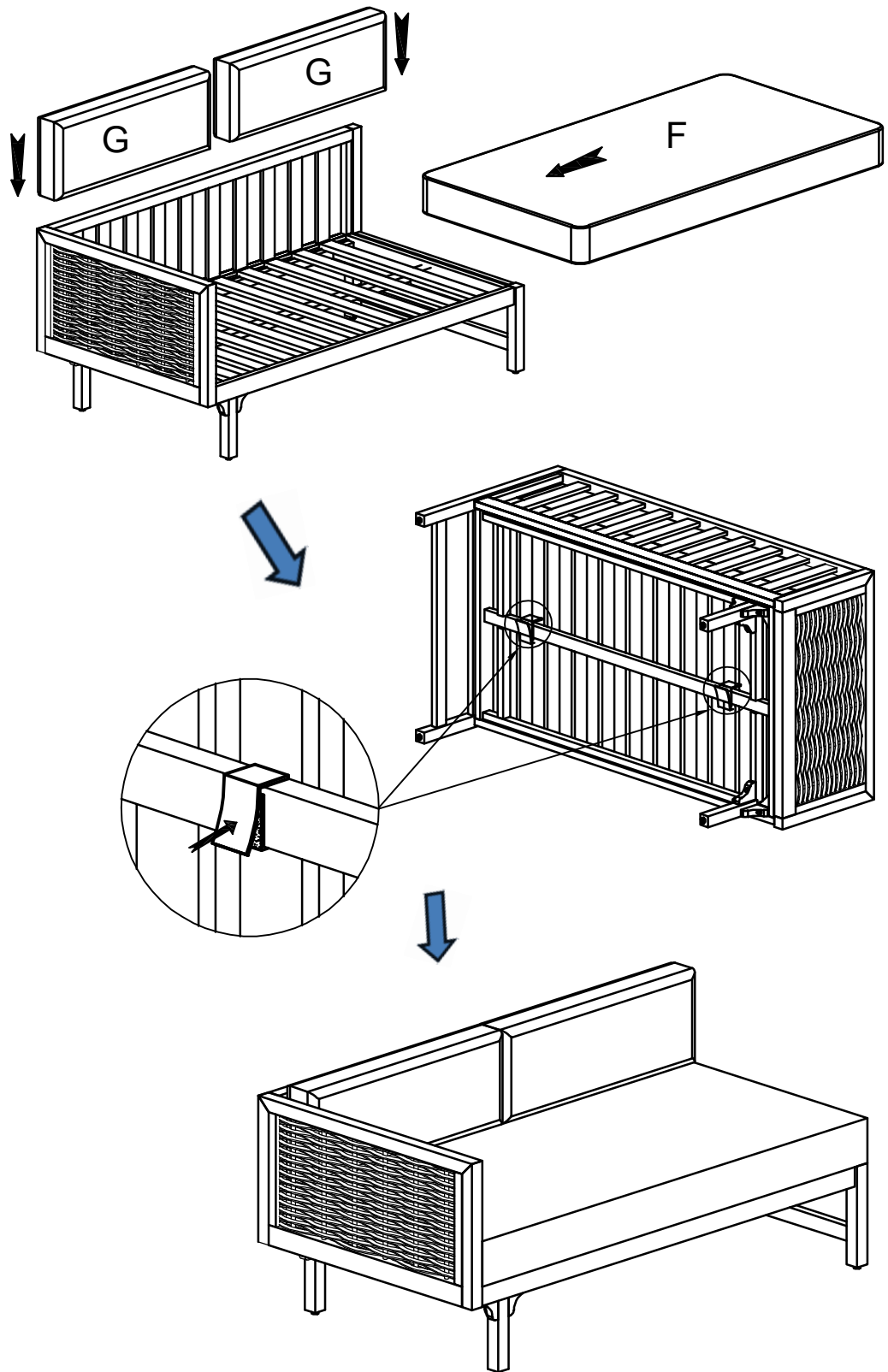
Then get off the Left Loveseat and proceed to tighten the Bolts and Screws in a sequential manner.

When tightening the Bolts, Screws tighten sequentially.

DO NOT tighten any Bolts, Screws fully and then move on towards the next one.

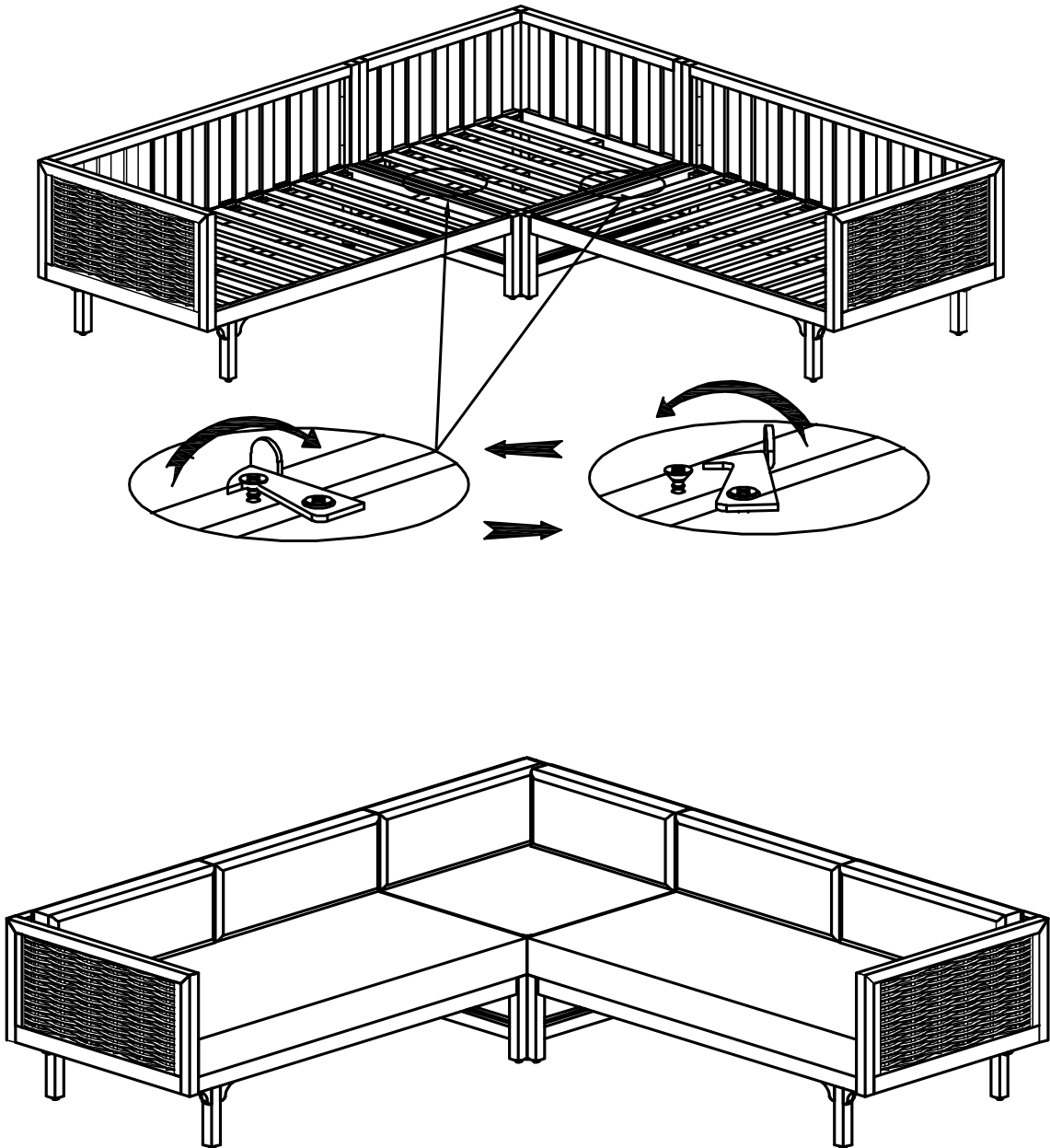
If there are still wobbles, loosen the Bolts, Screws and execute this same process.

Step 7



Place Seat Cushion (F) and Back Cushion (G) onto the Left Loveseat.
Tie the magic tape straps of Seat Cushion (F) to the slats of Seat Panel (A) as shown above.
Your Left Loveseat is ready to use.
This Left Loveseat can only be used on a flat, level surface.

Step 8



Note: This is optional step in case we want to connect all Loveseats and chair in a set together and should be done before placing cushion. With assistance from your adult partners, up side down the Loveseats&chair and using pre-fixed clip connect the Loveseats&chair together.