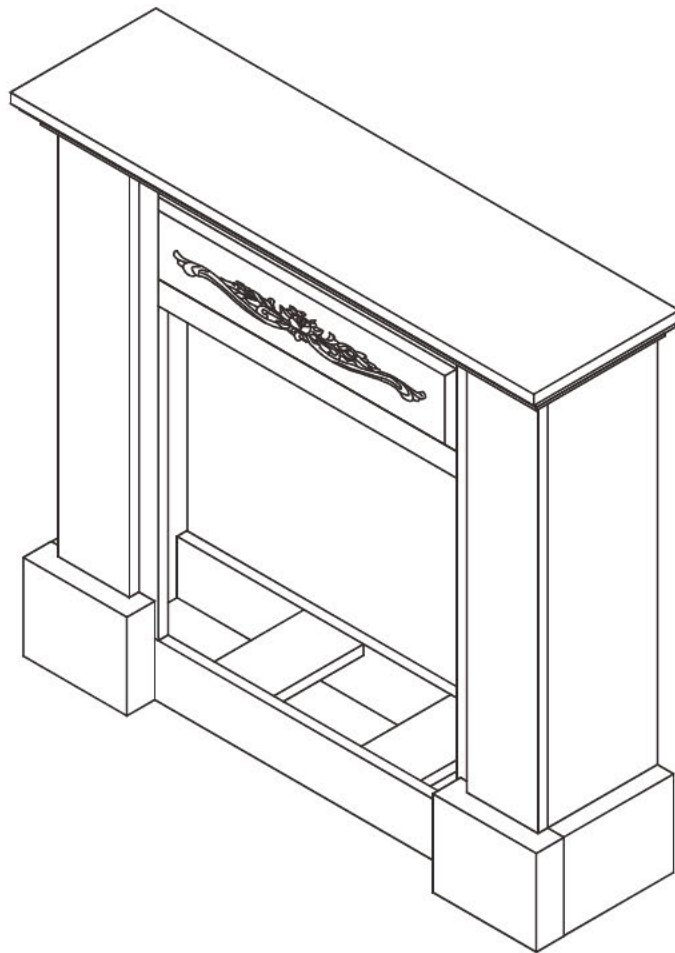






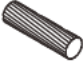




INSTRUCTION MANUAL



PART IDENTIFICATION:

CODE	DESCRIPTION	QTY
1	Top Panel	1
2	Front Up Panel	1
3	Front Base Panel	1
4	Back Base Panel	1
5	Left Side Panel	1
6	Right Side Panel	1
7	Left Front Panel	1
8	Right Front Panel	1
9	Left Trim Panel	1
10	Right Trim Panel	1
11	Left Foot Panel	1
12	Right Foot Panel	1
13	Case Panel	2

Hardware Parts List:

CODE	PICTURE	DESCRIPTION	QTY
A		Bolt	16
B		Plastic Connector	8
C		Metal Dowel	10
D		Metal Cam	10
E		Wood Dowel	26
F		Screw	19
G		Metal Connector	2
H		Plastic Cap	10
J		Touch-up pen (Please use the enclosed touch-up pen so instantly cover nicks and scratches on the surface and edges.)	1

Assembly Tools Required:

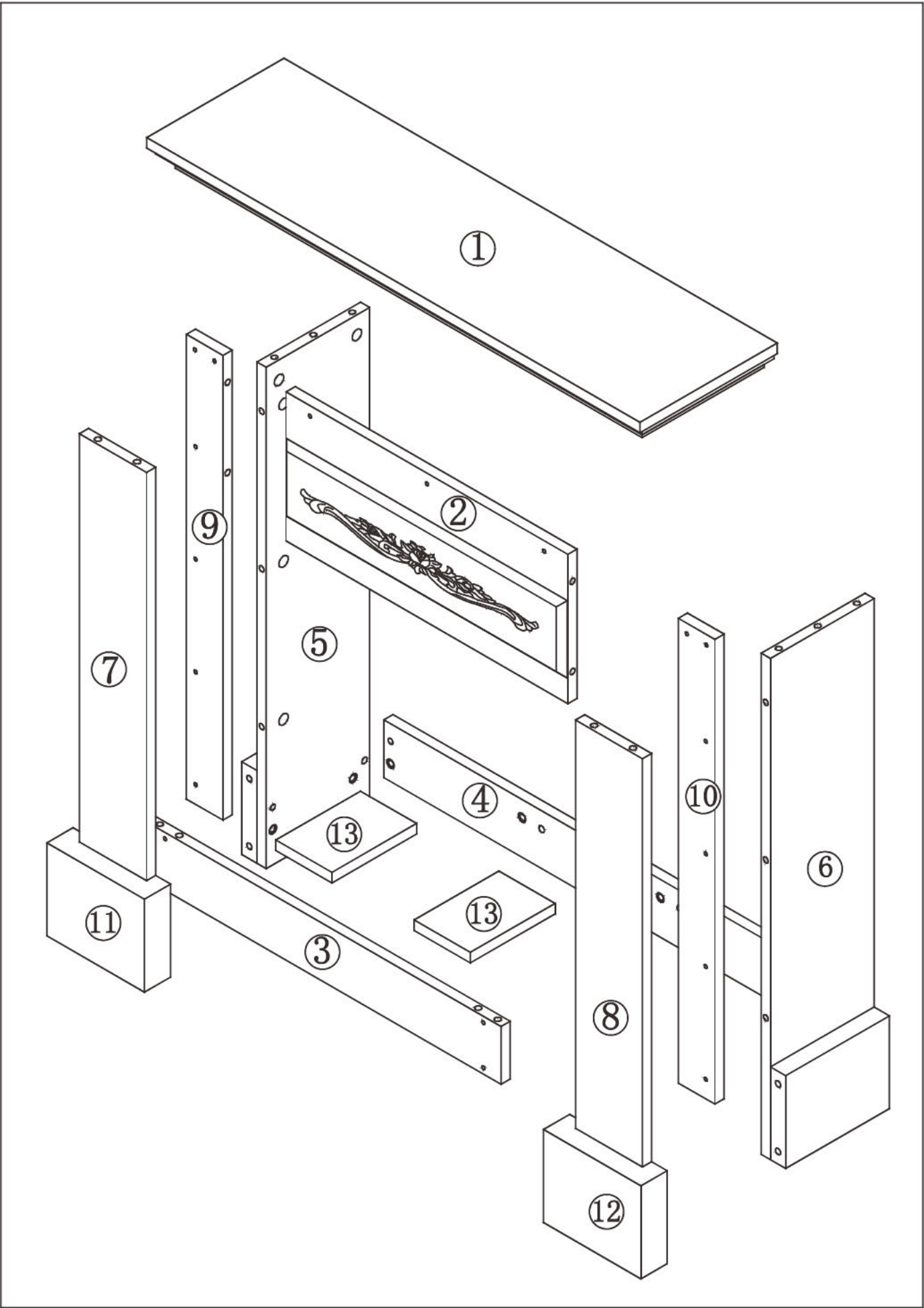


OR





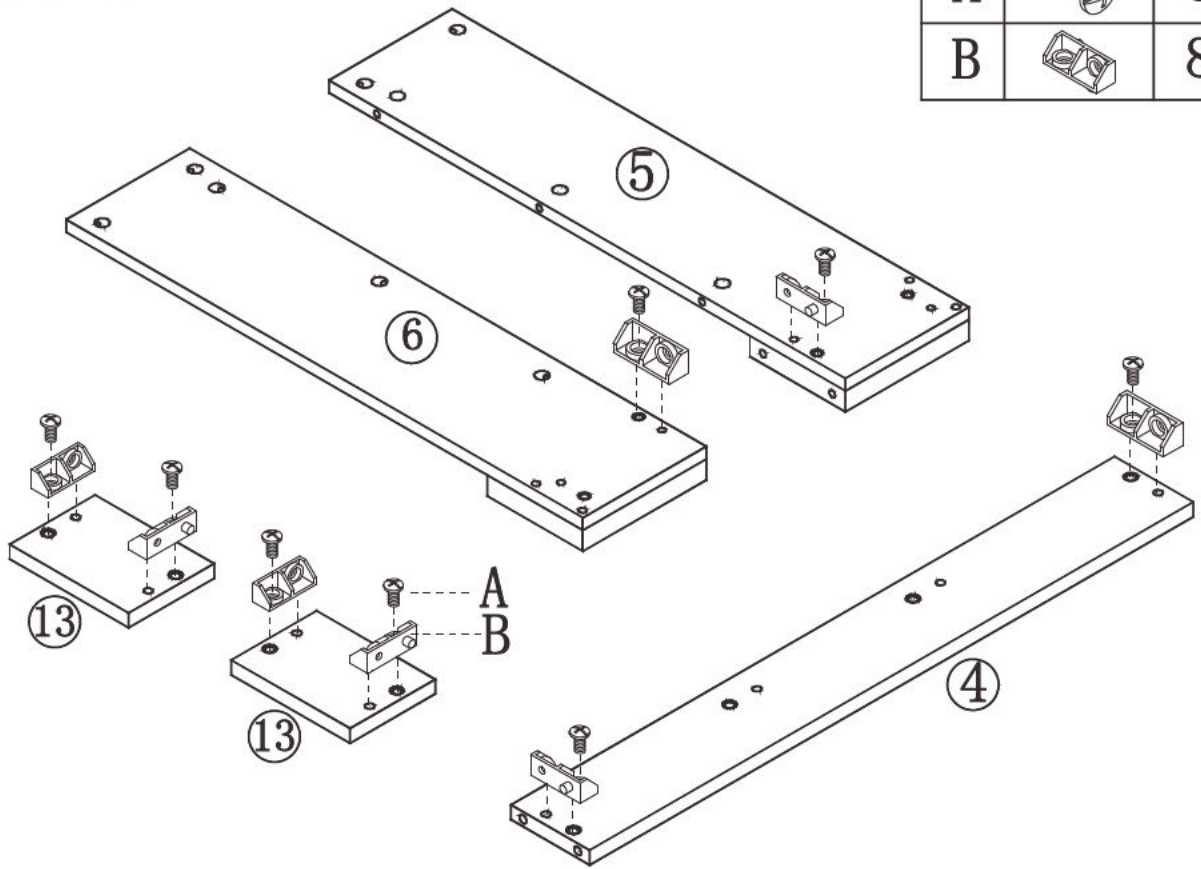
OR






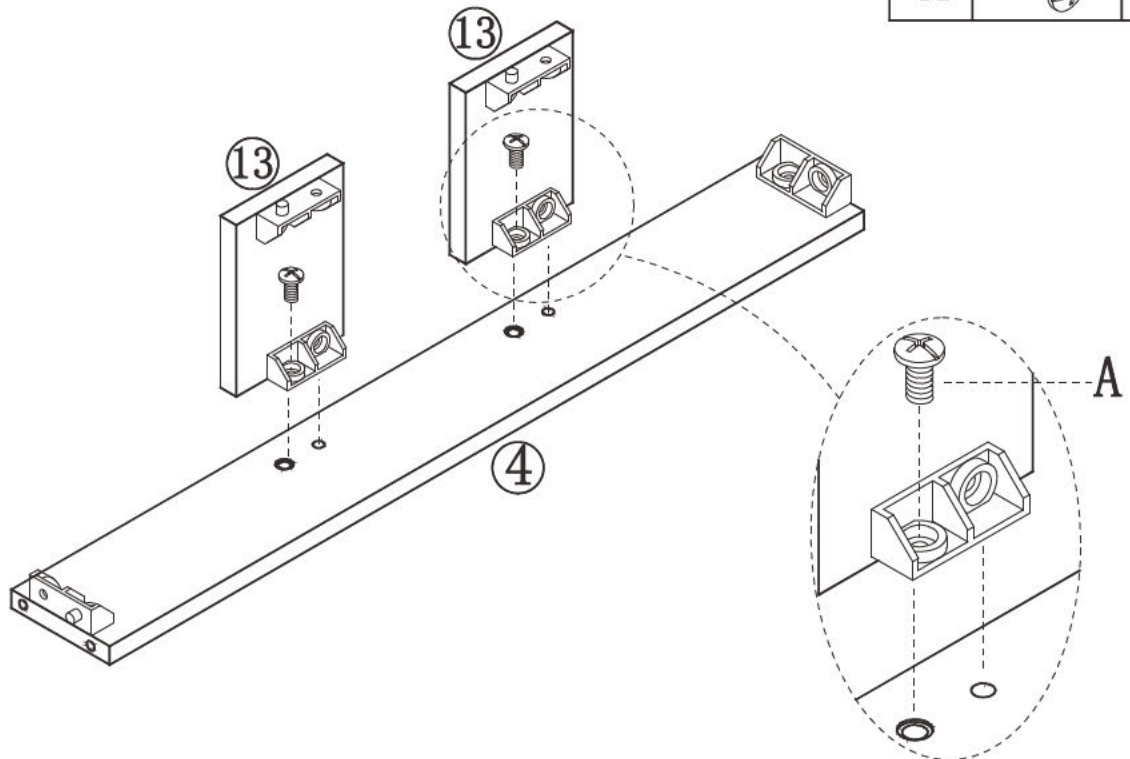
STEP 1

A		8
B		8





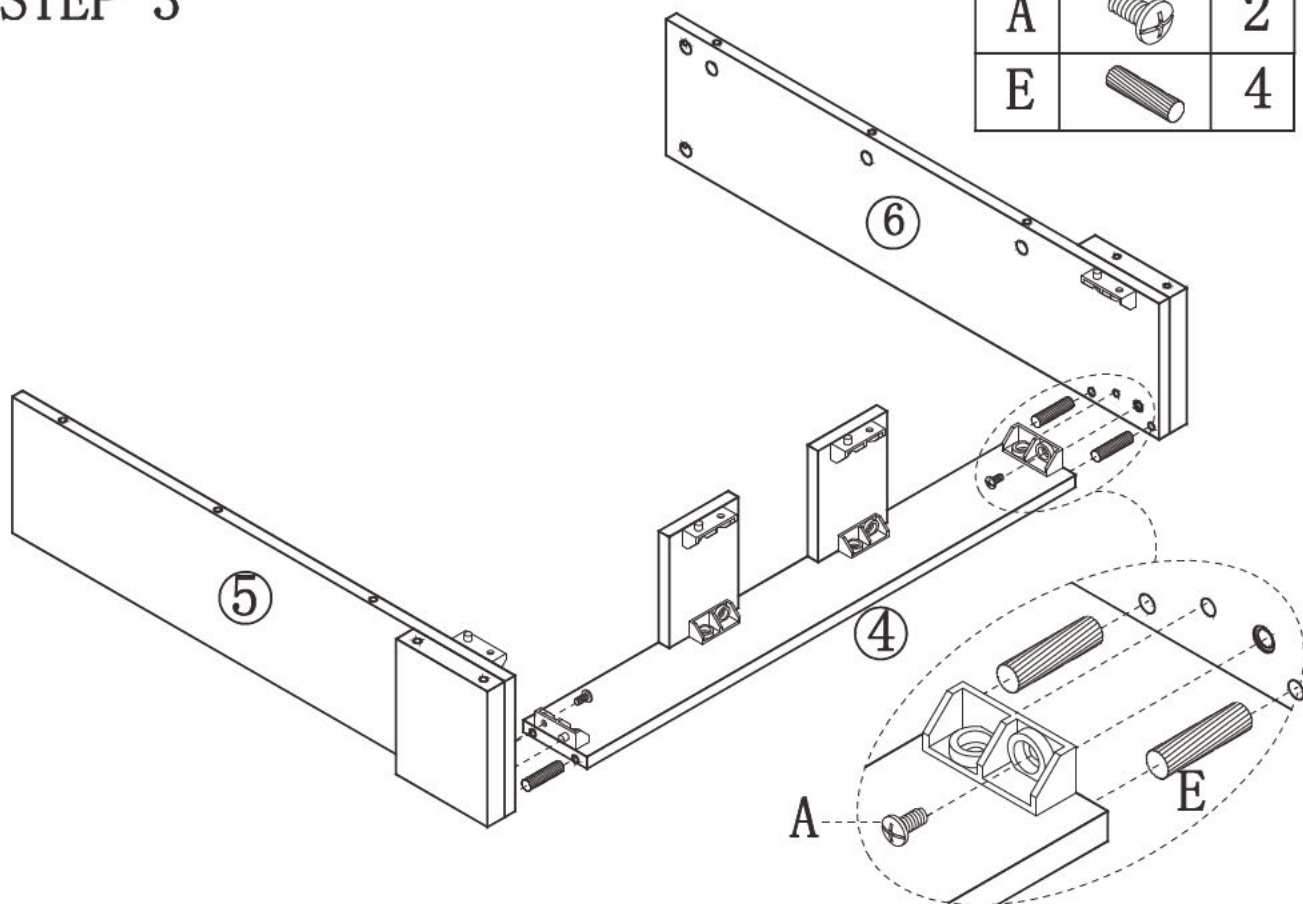
STEP 2

A		2
---	---	---




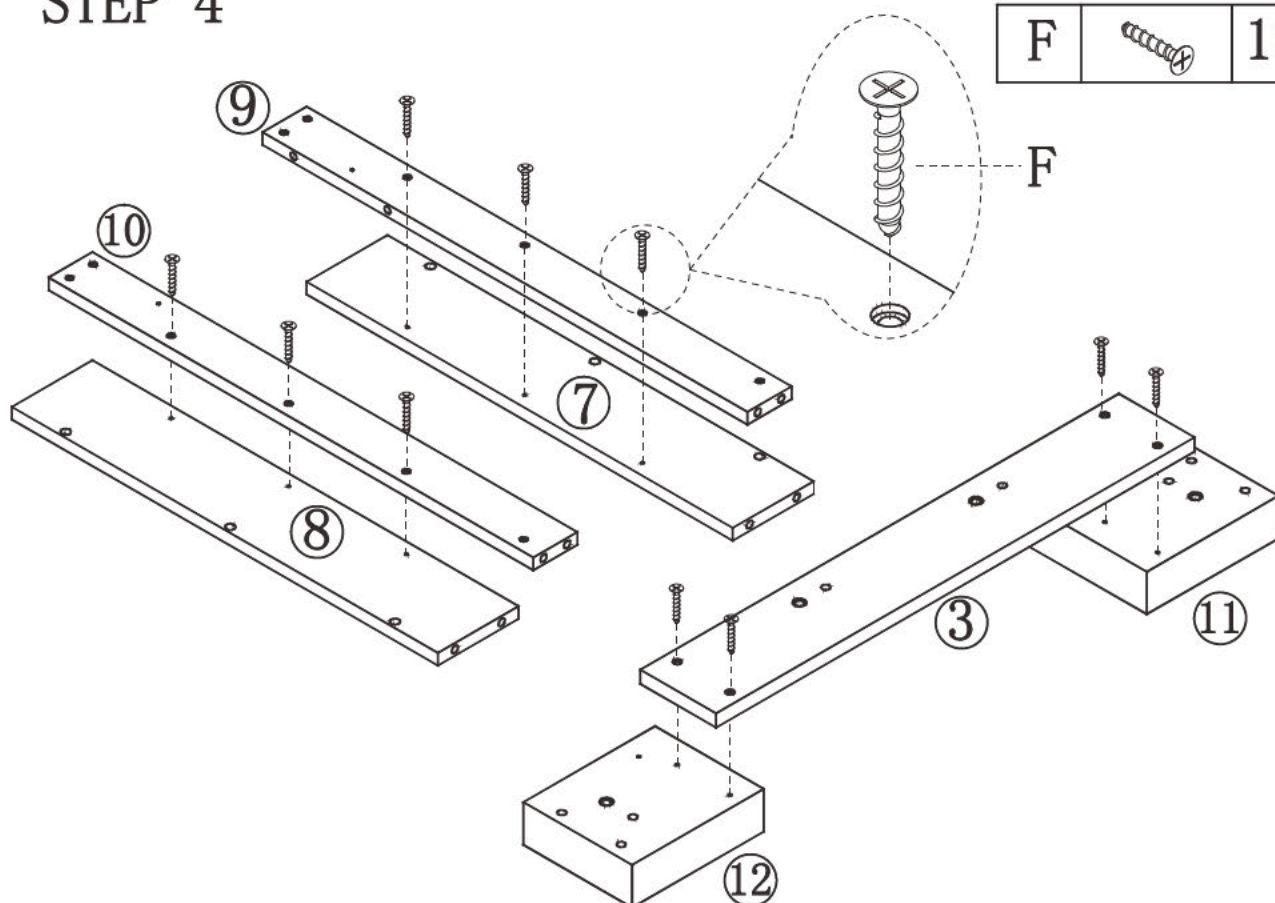
STEP 3

A		2
E		4




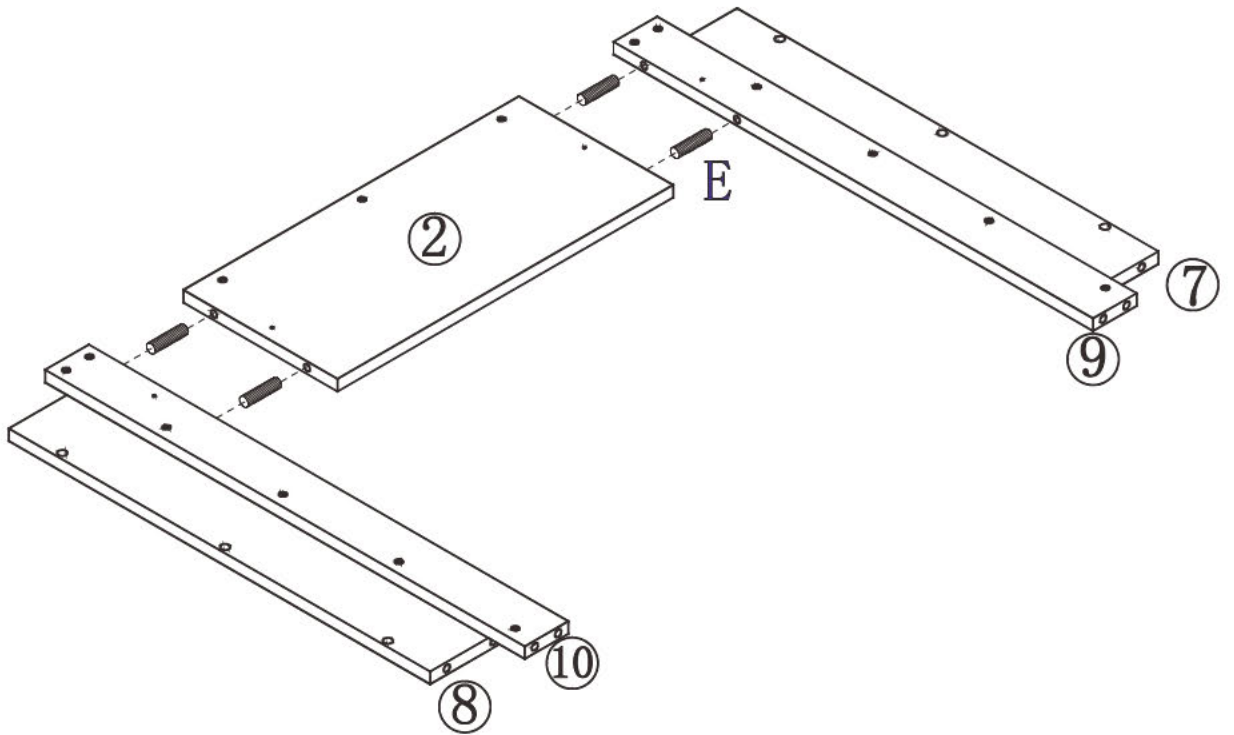
STEP 4

F		10
---	---	----





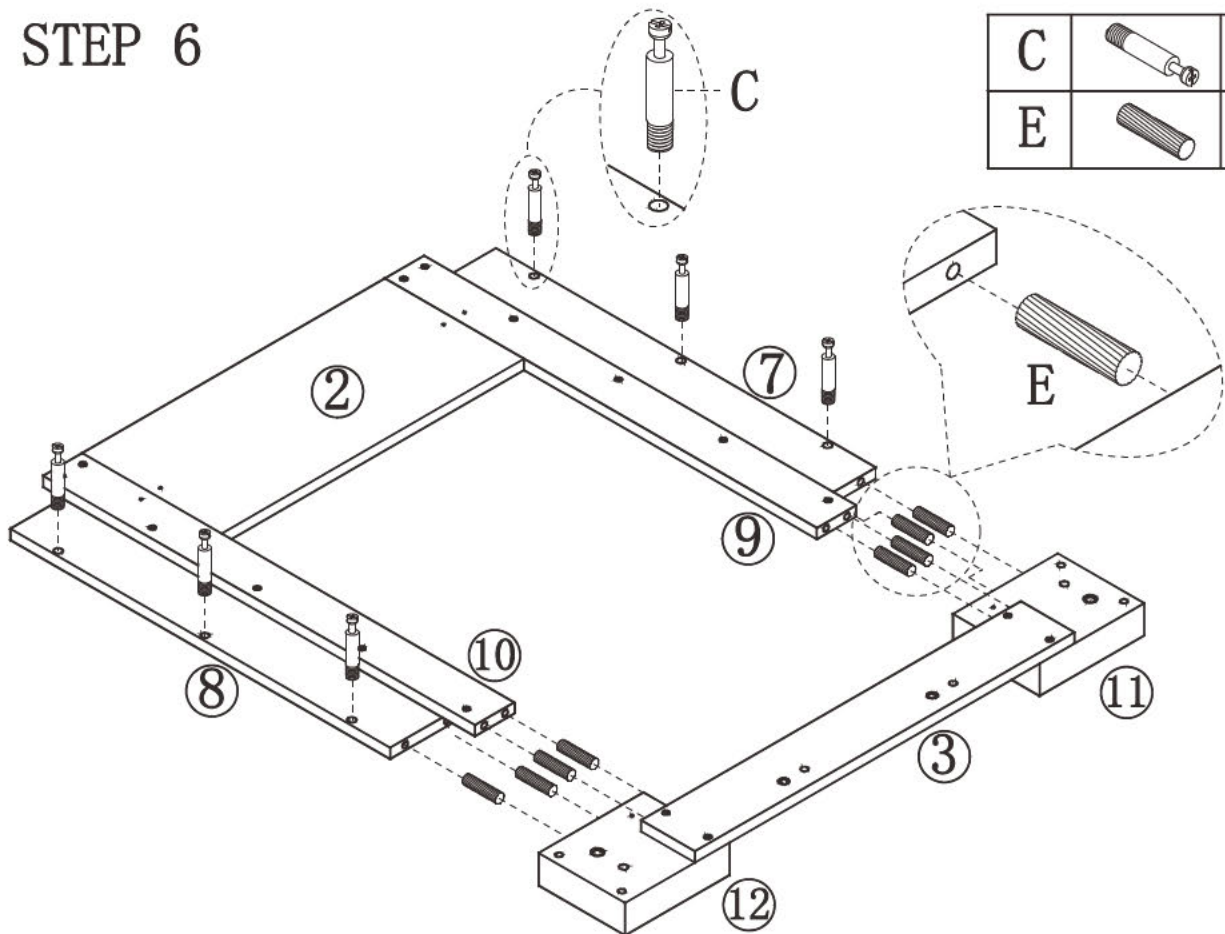
STEP 5

E		4
---	---	---



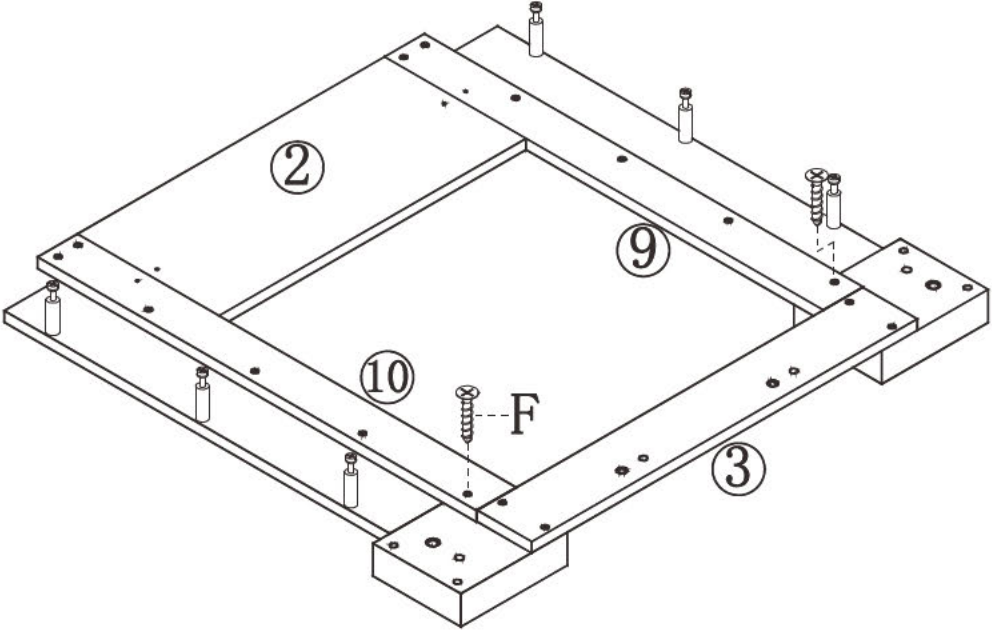
STEP 6

C		6
E		8




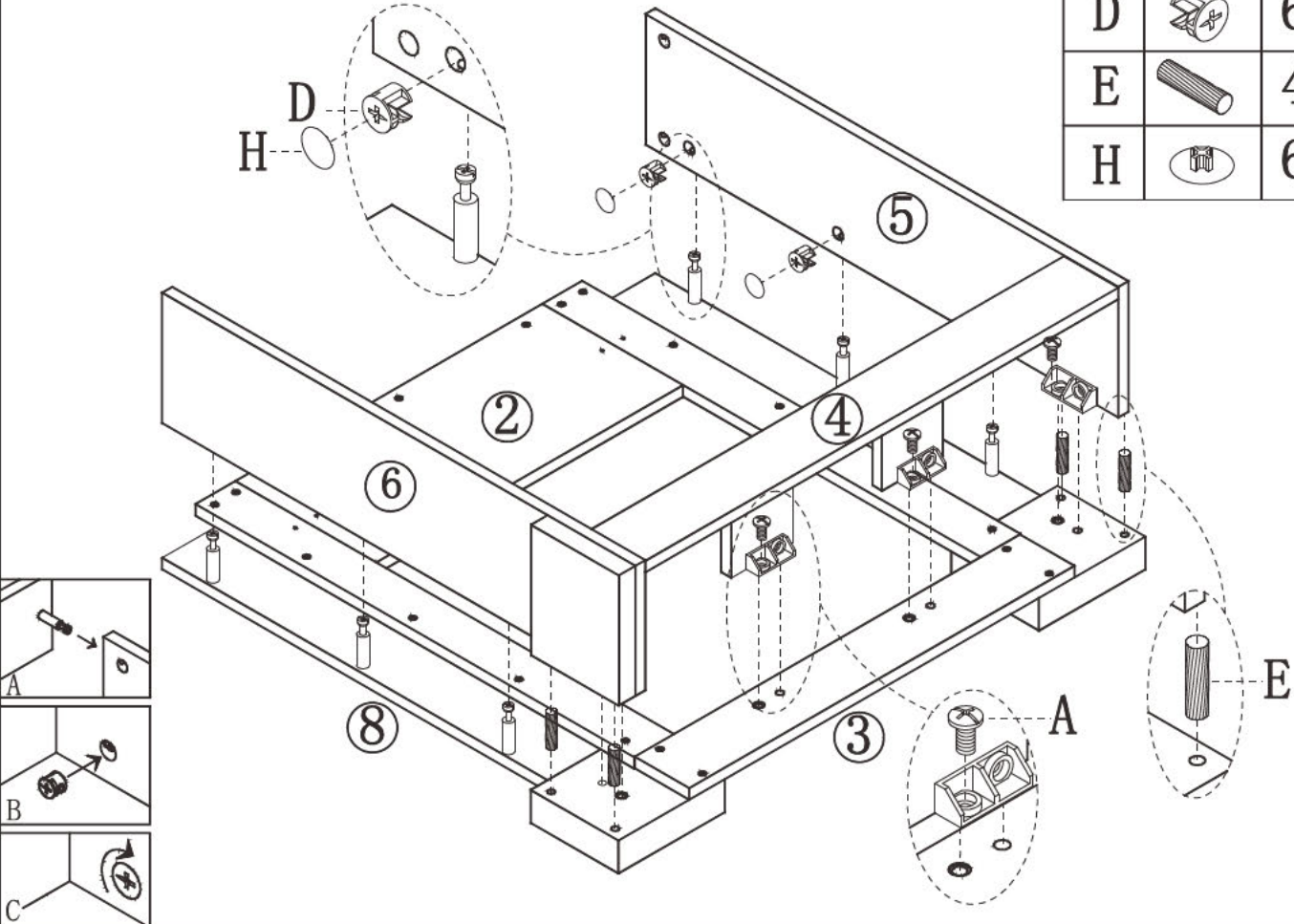
STEP 7

F		2
---	---	---

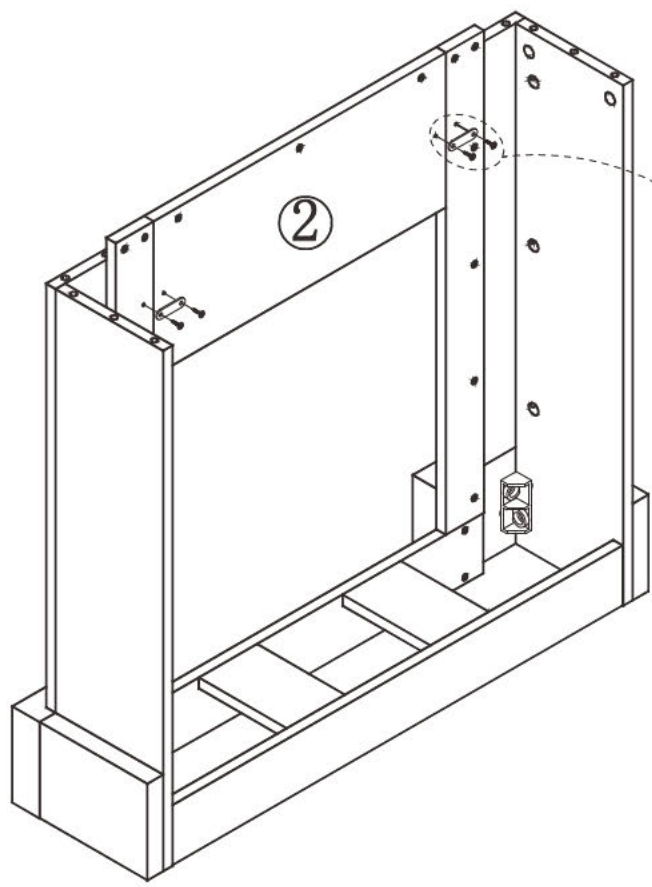


STEP 8

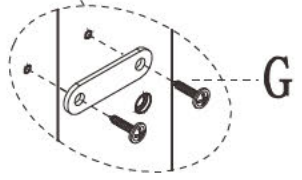
A		4
D		6
E		4
H		6



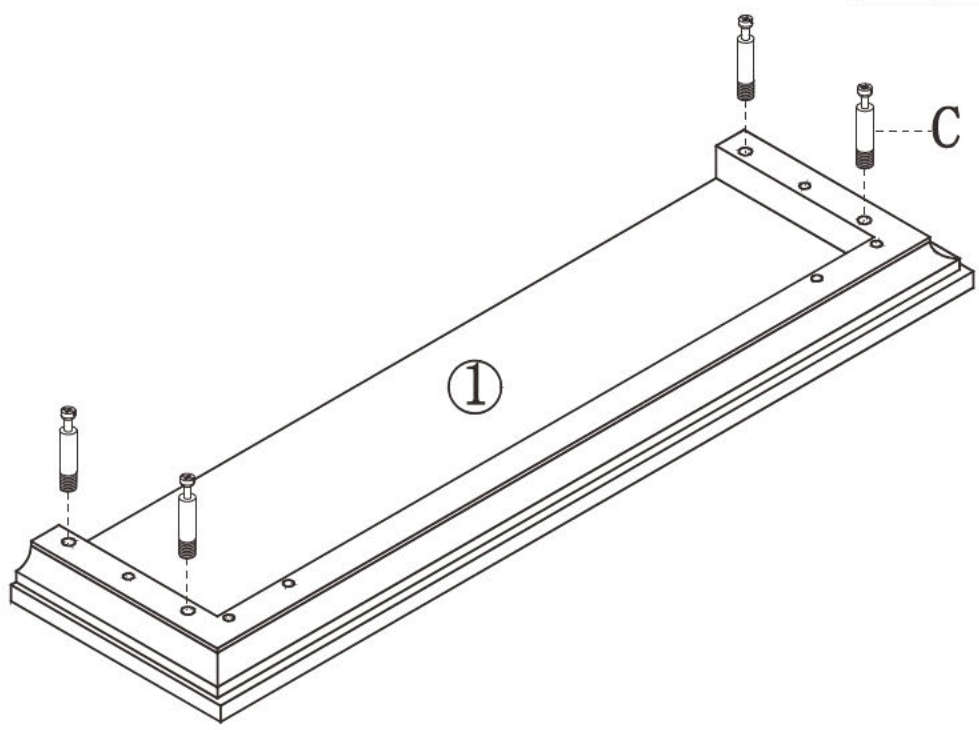
STEP 9




G		2
---	---	---







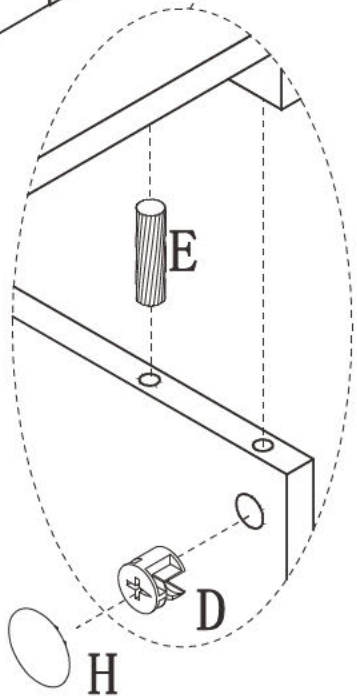
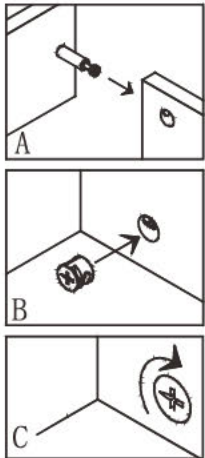
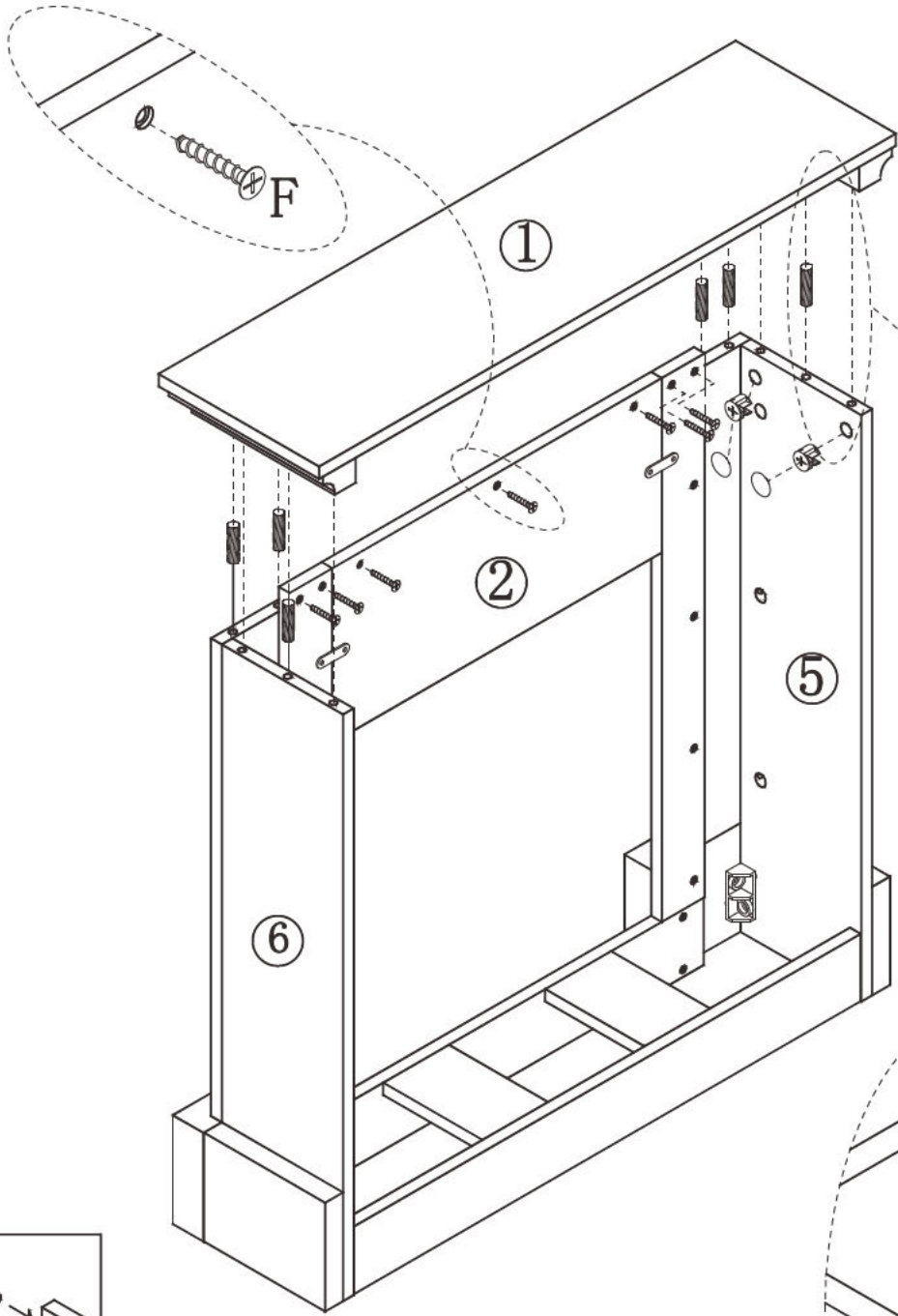
STEP 10

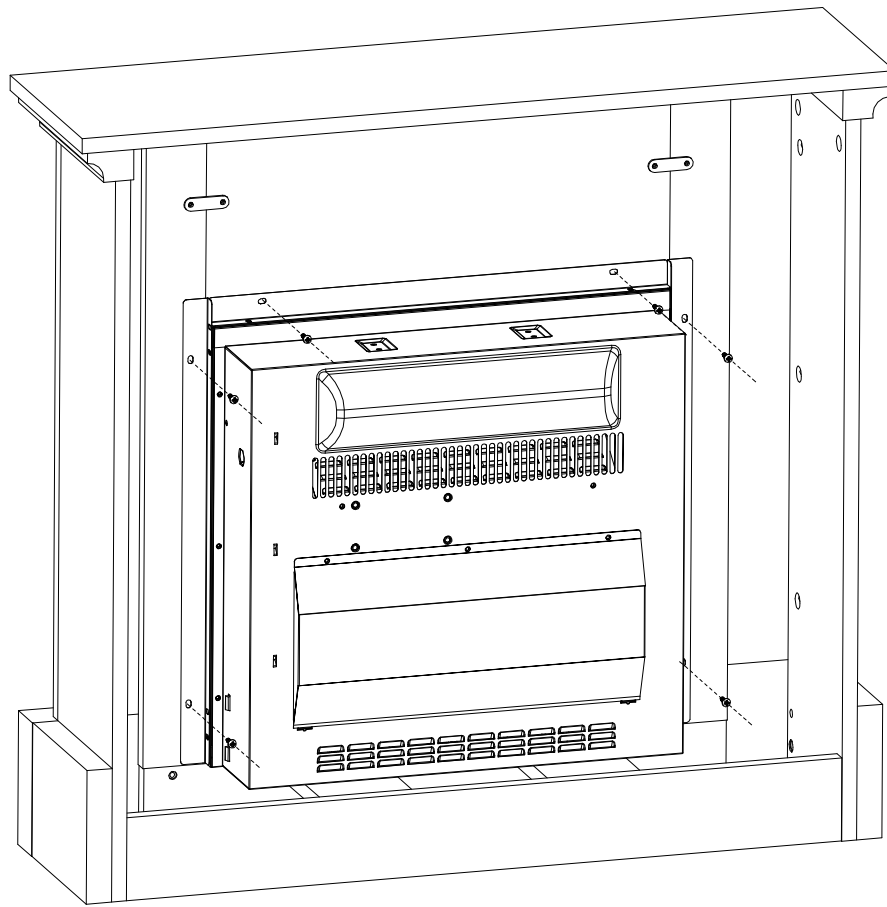


C		4
---	---	---

STEP 11

D		4
E		6
F		7
H		4





FIREPLACE INSTALLATION

If you decide to install the fireplace into the mantel, carefully set the unit from the back of the mantel and center it in the opening.

Check the alignment and attach the unit to the mantel by inserting screws through the drilled holes on the trim to the mantel.

NOTE: Do not attempt to install the unit from the front of the mantel. It will not fit.