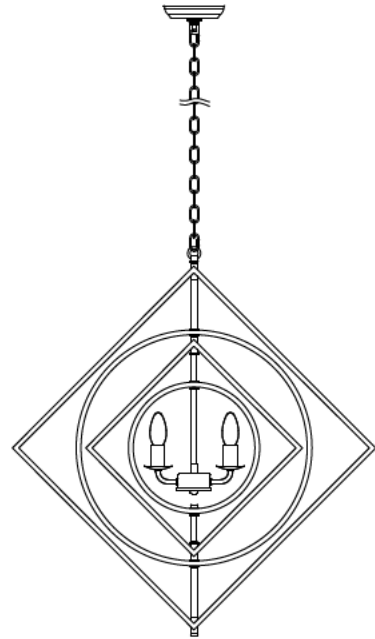
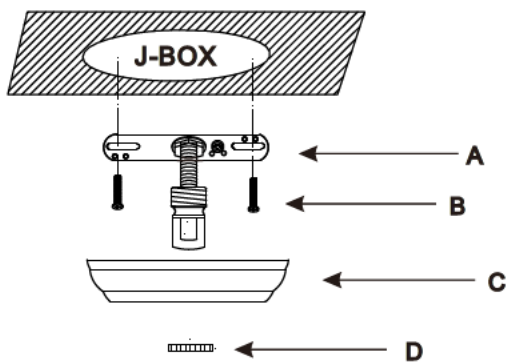


INSTRUCTIONS

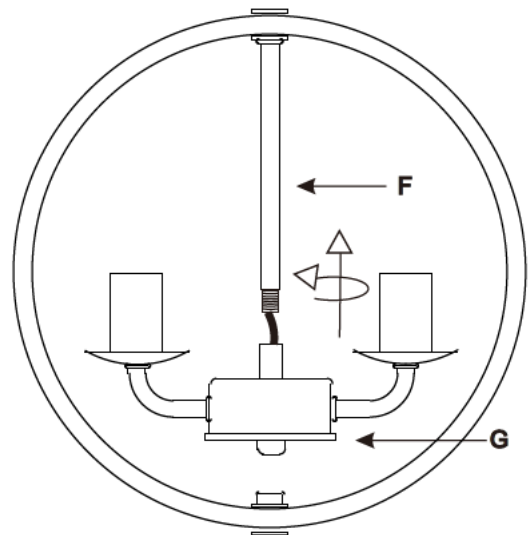


①



- Step 1.**
1. Remove the Mounting Bracket(A) from Ceiling Canopy(C) by loosening Circle Ring(D).
2. Then Secure Mounting Bracket(A) to ceiling junction box by Mounting screw(B).

②



- Step 2.**
Screw the Down Rod(F) on the Lam Holder(G).

PLEASE READ INSTRUCTIONS IN THEIR ENTIRETY
PRIOR TO ASSEMBLY AND INSTALLATION.

SAFETY PRECAUTIONS:

- Please carefully examine the cord, lamp holder, switch, and all other parts for damages. If any damage or defect is found, please return this fixture.
- This fixture use E12 Medium Bulbs Max. 40W. To avoid the risk of fire, do not use bulbs that exceed the 40W limit. We suggest using LED Bulbs for lower energy consumption and longer life span.
- Installing this fixture requires connecting electric wires, these connections must be in accordance with local and National Electrical Code(NEC) standards, we suggest hiring a licensed electrician to do this.
- Recommended for indoor use only, please keep this fixture away from water or moisture.
- Wipe clean using a soft, dry cloth or static duster. Always avoid the use of harsh chemicals and abrasives to clean fixture as they may damage the finish.

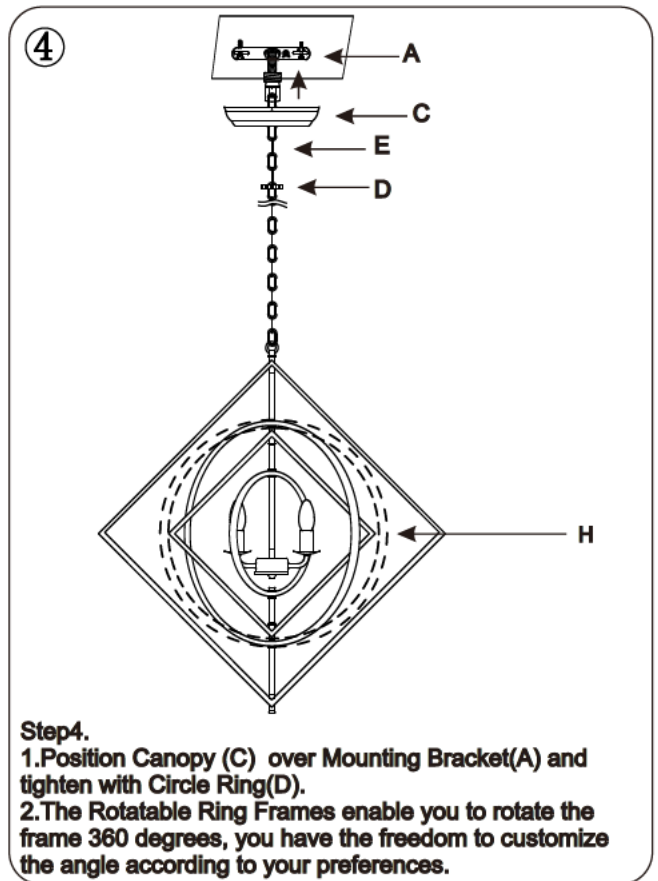
**ASSEMBLY & INSTALLATION GUIDE
ITEMS YOU NEED**

- Ladder
- Screwdriver
- Wire cutter/stripper
- Insulation tape
- 5 x E12 Bulbs (<40W)

GETTING STARTED

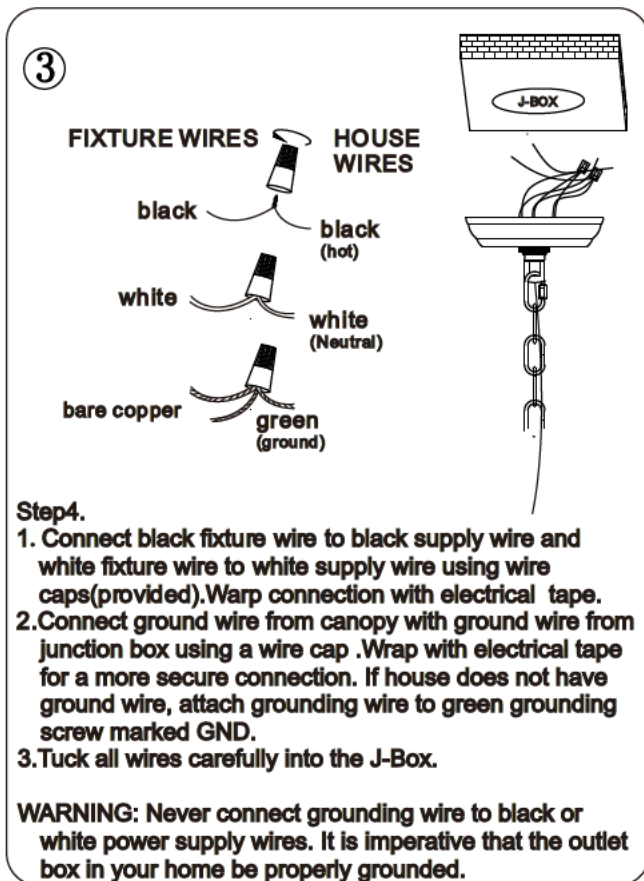
- Carefully unpack all accessories and parts.
- Place all components on a clean, flat and soft surface to prevent parts from getting scratched.
- Shut off your main electrical supply at the fuse box or circuit breaker. Just turning off the light switch is not sufficient to prevent electrical shock!

PAGE 1



- Step4.**
- Position Canopy (C) over Mounting Bracket(A) and tighten with Circle Ring(D).
 - The Rotatable Ring Frames enable you to rotate the frame 360 degrees, you have the freedom to customize the angle according to your preferences.

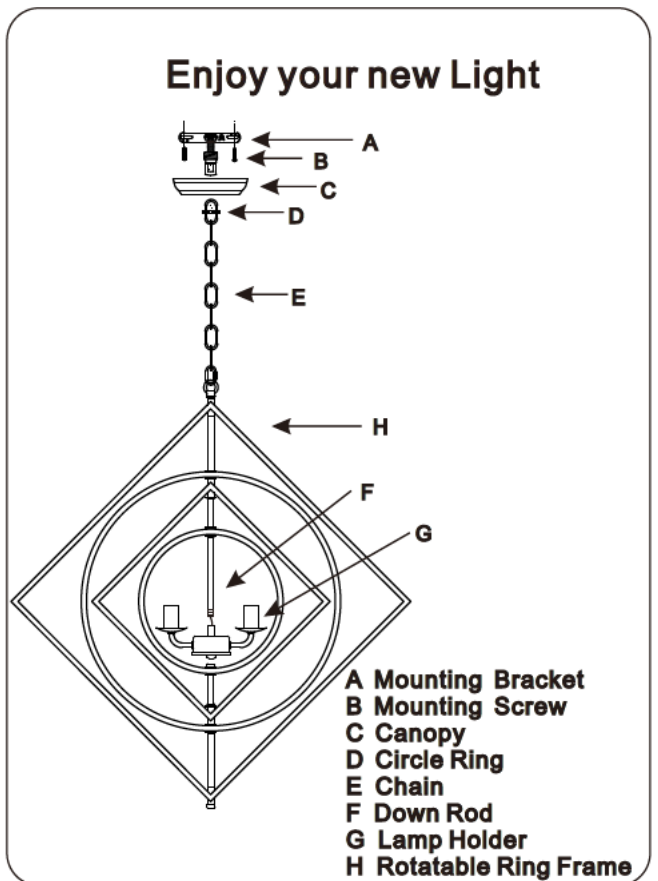
PAGE 6



- Step4.**
- Connect black fixture wire to black supply wire and white fixture wire to white supply wire using wire caps(provided).Wrap connection with electrical tape.
 - Connect ground wire from canopy with ground wire from junction box using a wire cap .Wrap with electrical tape for a more secure connection. If house does not have ground wire, attach grounding wire to green grounding screw marked GND.
 - Tuck all wires carefully into the J-Box.

WARNING: Never connect grounding wire to black or white power supply wires. It is imperative that the outlet box in your home be properly grounded.

PAGE 5



- A Mounting Bracket
- B Mounting Screw
- C Canopy
- D Circle Ring
- E Chain
- F Down Rod
- G Lamp Holder
- H Rotatable Ring Frame

PAGE 2