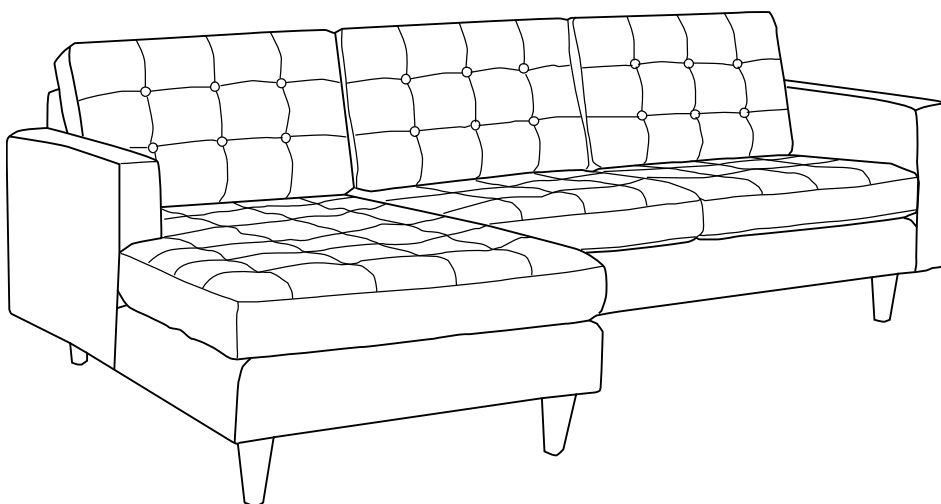


ARM SECTIONAL SOFA

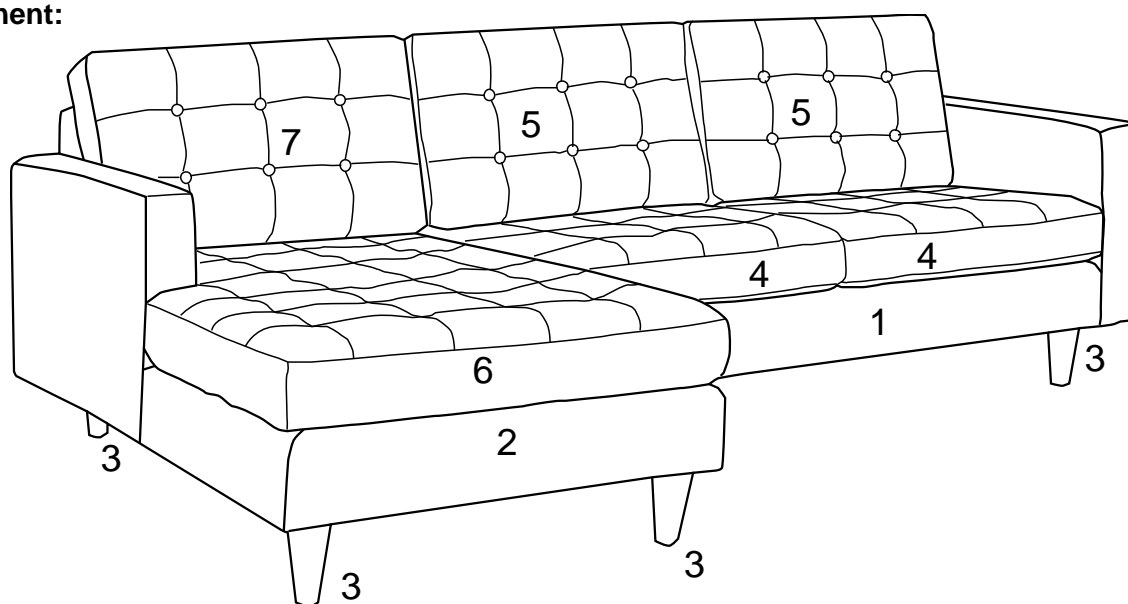
Thank you for purchasing the **ARM SECTIONAL SOFA!**

Before you start, here is some helpful advice:

1. We suggest you spend a short time reading through this leaflet and then follow the simple step by step instructions.
 2. Owing to the size and weight of the arm sectional sofa, we recommend that it is assembled by two adults, on a carpeted or padded area, in the room that it is intended for. Approximate assembly time: 30 minutes.
 3. Please do not use any tools other than those provided or recommended in these instructions.
 4. Please do not throw away any of the packaging or instructions until you have checked all the components and hardware and the furniture is fully assembled.
 5. Assemble all components loosely until advised to tighten. Depending on use, it may be necessary to tighten the components from time to time, so please save the tools that have been provided.
 6. Please keep all pieces out of reach of small children.
-



Component:



- 1 Right Loveseat x1 2 Left Arm Chaise x1 3 Leg x8 4 Right Loveseat Seat Cushion x2
5 Right Loveseat Back Cushion x2 6 Arm Chaise Seat Cushion x1 7 Arm Chaise Back Cushion x1
-

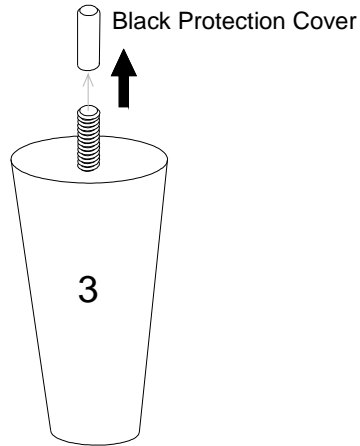
ARM SECTIONAL SOFA

STEP 1:

Open the Carton of **Right Loveseat (1)**.

Please find the package of 4pcs **Legs (3)** on the top of the seat. Take out the 4pcs of **Legs (3)** from the package.

Take off the Black Protection Cover on the 4pcs **leg (3)**.



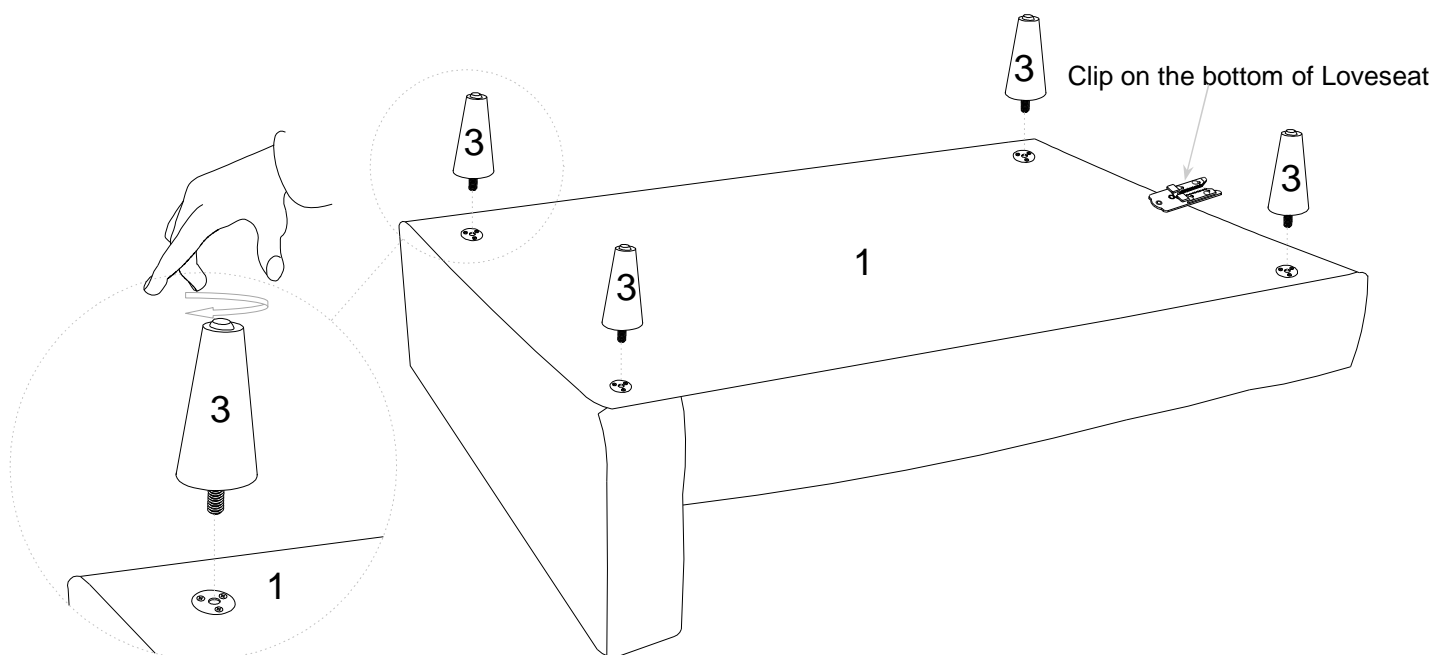
STEP 2:

Please put the **Right Loveseat (1)** upside down on a carpeted or padded surface without 2pcs **Right Loveseat Seat Cushion (4)** and 2pcs **Right Loveseat Back Cushion (5)** as shown.

Insert 1 pc of **Legs (3)** into the hole on the round metal plate at the corners of the **Right Loveseat (1)** as shown.

Use Hands to tighten the **Legs (3)** clockwise until secure.

Repeat the same steps for the other three **Legs (3)**.

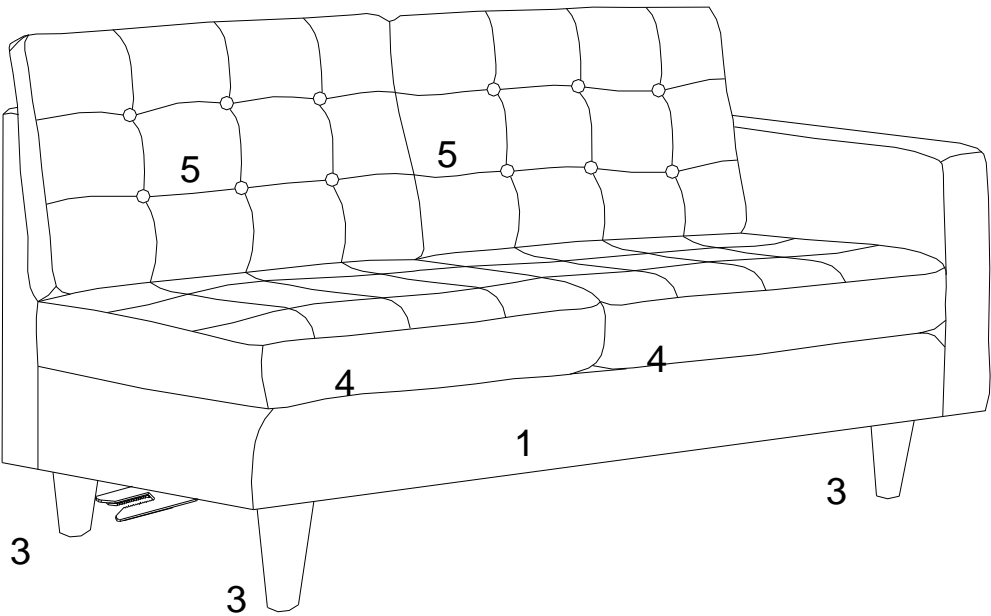


ARM SECTIONAL SOFA

STEP 3:

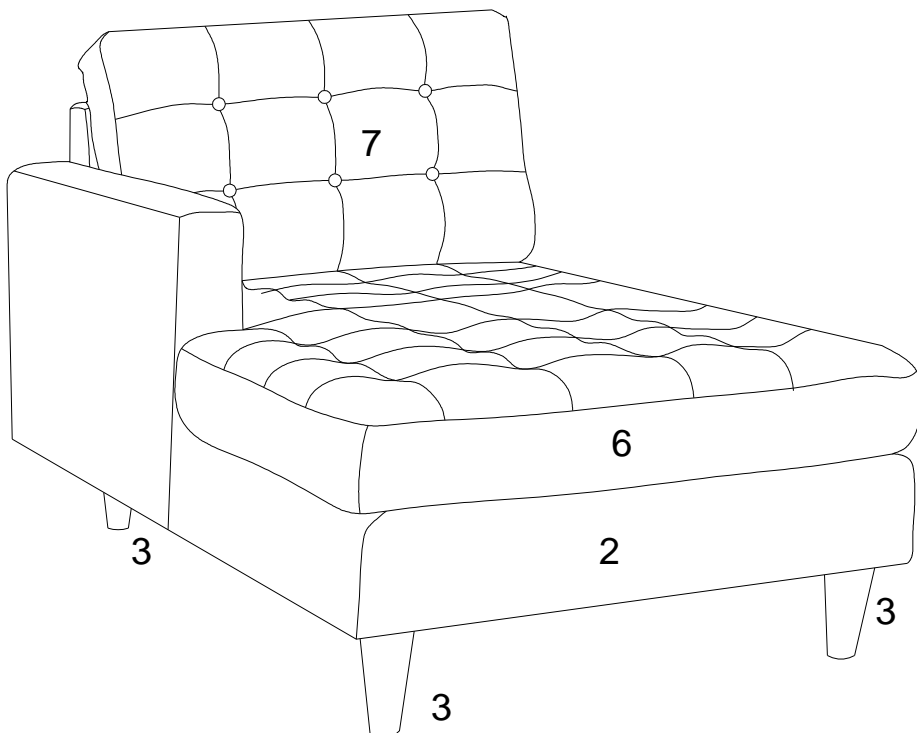
Carefully turn over the **Right Loveseat (1)**.

Put the 2pcs **Right Loveseat Seat Cushion (4)** and 2pcs **Back Cushion (5)** on the **Right Loveseat (1)** as shown.



STEP 4:

Repeat the same steps for the **Left Arm Chaise (2)**, 1pc **Left Arm Chaise Seat Cushion (6)**, 1pc **Left Arm Chaise Back Cushion (7)** and 4pcs **Legs (3)**.



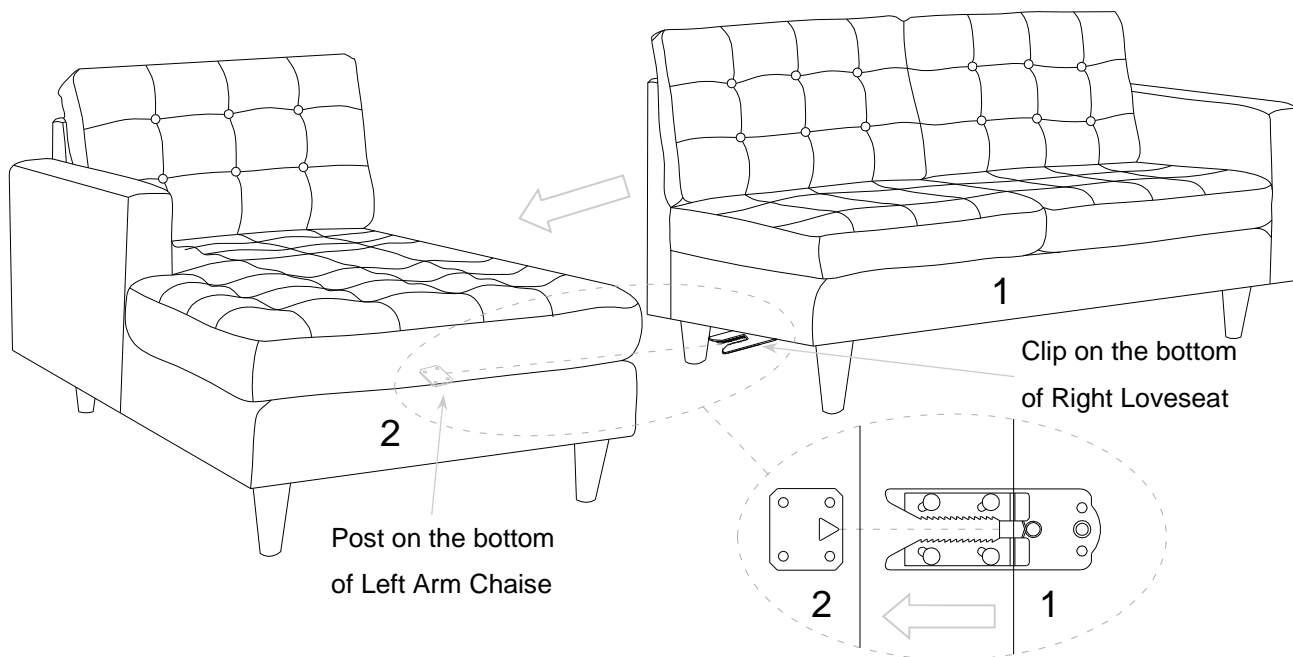
ARM SECTIONAL SOFA

STEP 5:

Please place the **Left Arm Chaise (2)** at your desired location. Note: There is 1pc Post pre-installed on the bottom of **Left Arm Chaise (2)** as shown.

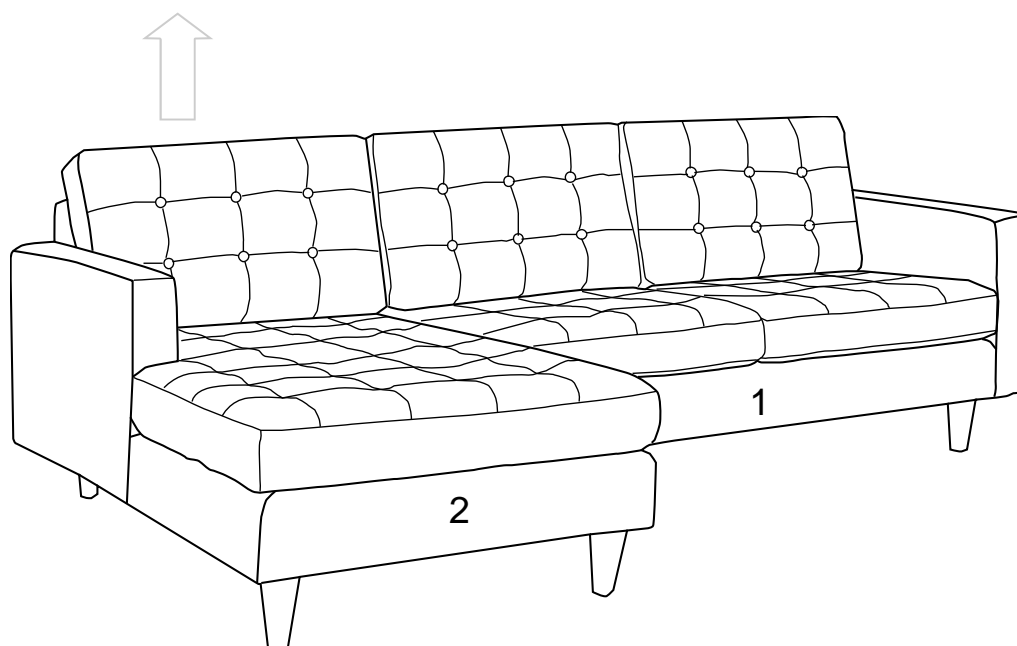
Align the Clip on the bottom of **Right Loveseat (1)** to the Post on the bottom of **Left Arm Chaise (2)** as shown.

Push the **Right Loveseat (1)** close to the **Left Arm Chaise (2)** slowly until the Clip and the Post click together tightly.



STEP 6:

If you want to unlock the sofa. Please lift up the **Left Arm Chaise (2)** by two people.



Assembly is completed. The arm sectional sofa is ready to enjoy now!