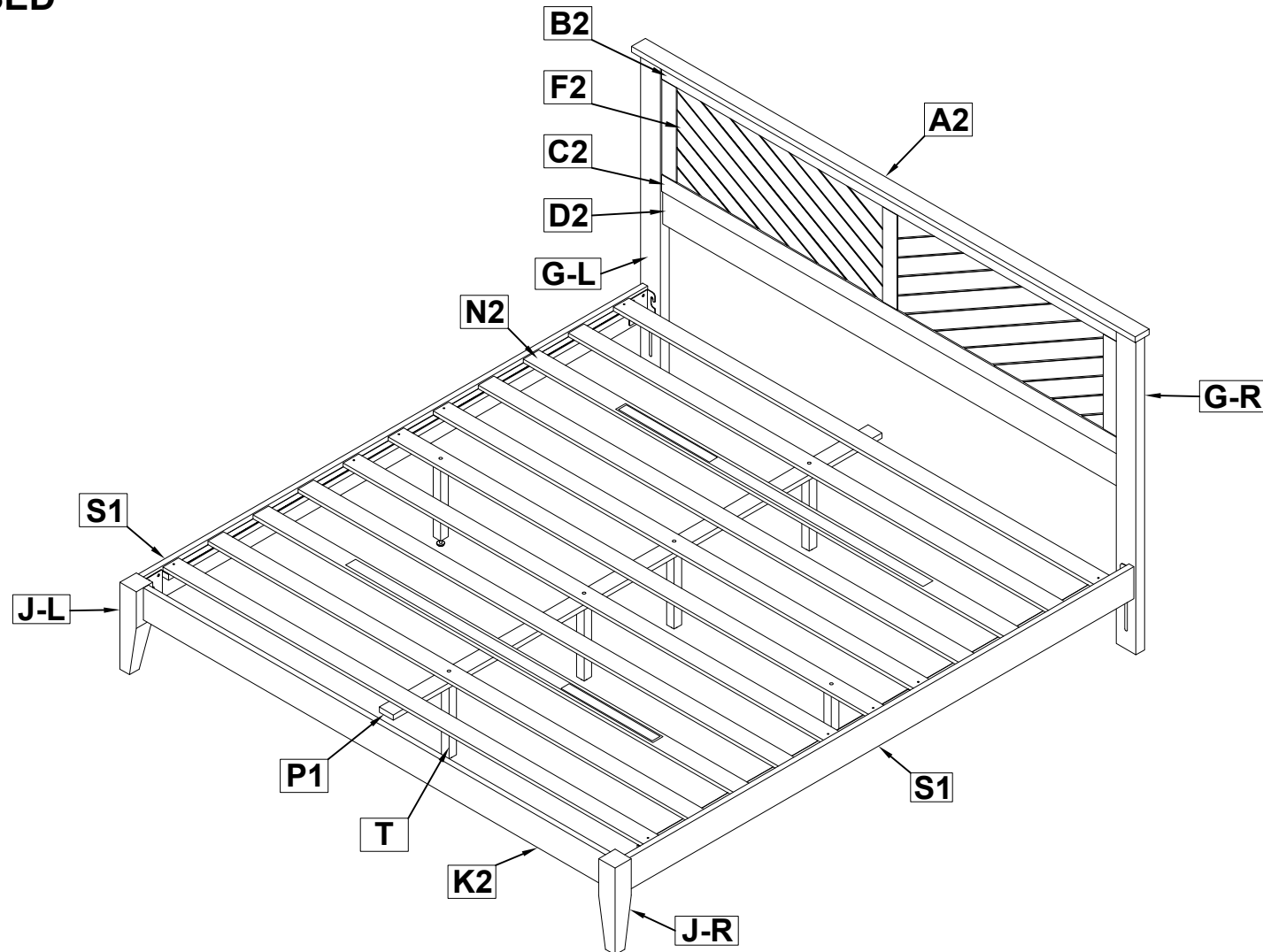


ASSEMBLY INSTRUCTIONS:

QUEEN BED

VERSION 1.1



If you're having difficulty, our friendly Customer Care team is always here to help.

QUEEN BED

ASSEMBLY INSTRUCTIONS

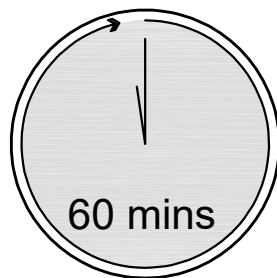
Read these instructions carefully and keep for future reference. Refer to parts inventory for guidance, and ensure you have all pieces before starting.

When assembling, place all parts on a soft, clean, and flat surface such as a carpet to prevent scratches.

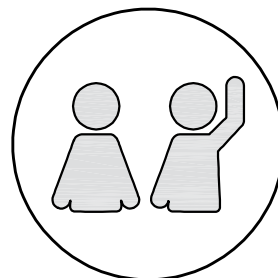
If you're having difficulty, our friendly Customer Care team is always here to help.

Attention : Veuillez Lire Toutes Les Instructions Avant De Commencer L'assemblage De Ce Produit. Les Pièces Sont Lourdes. Pour Éviter Toute Blessure Et Pour Vous Assurer Que Le Produit N'est Pas Endommagé Pendant L'assemblage, Nous Vous Recommandons De Faire Appel À Une Ou Plusieurs Autres Personnes.

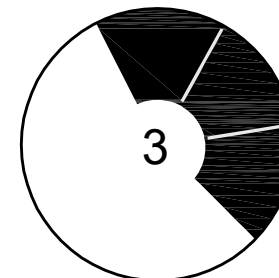
Cuidado: Favor De Leer Todas Las Instrucciones Antes De Ensamblar Su Producto. Estas Piezas Son Pesadas. Para Prevenir Heridas Personales Y Asegurar Que Su Producto No Sea Dañado Mientras Es Ensamblado, Se Recomienda La Asistencia De Una O Más Personas.



TIME



OF PEOPLE

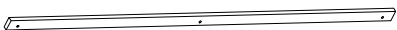
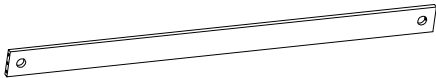

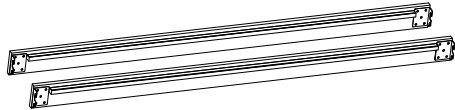
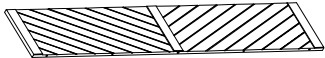
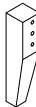




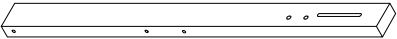

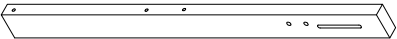
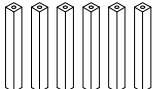


DIFFICULTY

Important: Use hand tools for assembly. Power tools can lead to over-tightening and damage.

QUEEN BED

Parts List

CODE	DESCRIPTION	QTY	CODE	DESCRIPTION	QTY
A2	Headboard Top 	1 pc	K2	Footboard 	1 pc
B2	Crossbar Top 	1 pc	S1	Side Rails 	2 pcs
F2	Headboard 	1 pc	J-L	Left Leg 	1 pc
C2	Crossbar 	1 pc	J-R	Right Leg 	1 pc
D2	Crossbar Bottom 	1 pc	P1	Middle Cross Slats 	1 pc
G-R	Right Leg 	1 pc	N2	Slats 	1 rolls
G-L	Left Leg 	1 pc	T	Support Legs 	6 pcs

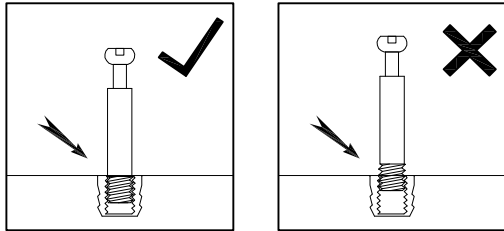
QUEEN BED

Hardware List

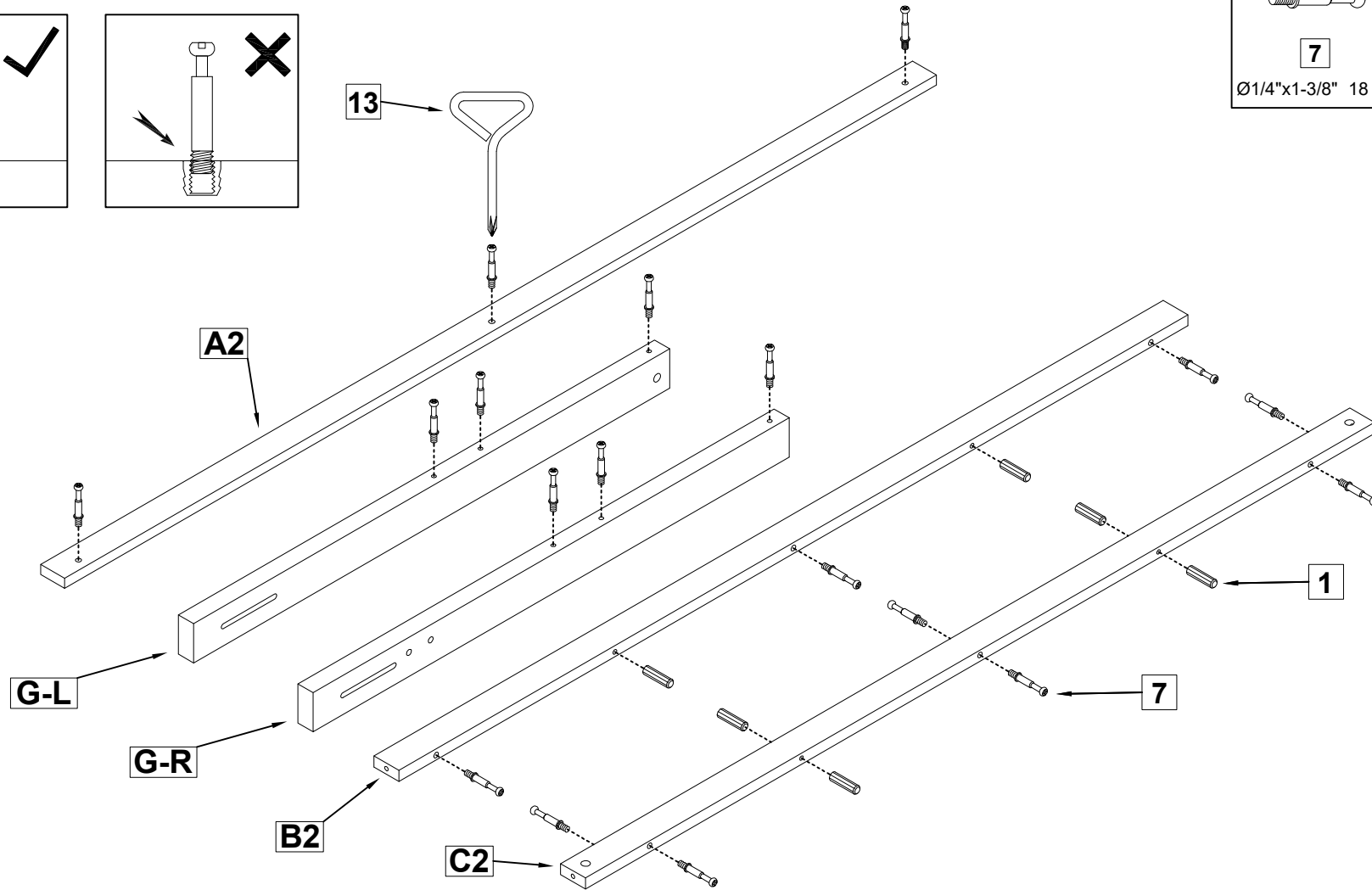
CODE	DESCRIPTION	QTY	CODE	DESCRIPTION	QTY
1	Dowel Ø8x1-1/8"	7 pcs	11	Wrench	1 pc
2	Dowel Ø10x1-5/8"	5 pcs	12	Allen Key	1 pc
3	Bolt Ø5/16"x2"	6 pcs	13	Philips Head Screwdriver	1 pc
4	Bolt Ø5/16"x1"	8 pcs	14	Screw #8x1-1/4"	10 pcs
5	Nut Ø5/16"	2 pcs	15	Bolt Ø5/16"x3"	2 pcs
6	Flat Head Screwdriver	1 pc	16	Curved Washer Ø5/16"	2 pcs
7	Cam Lock Bolt Ø1/4"x1-3/8"	19 pcs			
8	Cam Lock Ø15	19 pcs			
9	Spring Washer Ø5/16"	10 pcs			
10	Flat Washer Ø5/16"x3/4"	14 pcs			

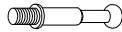

QUEEN BED

1



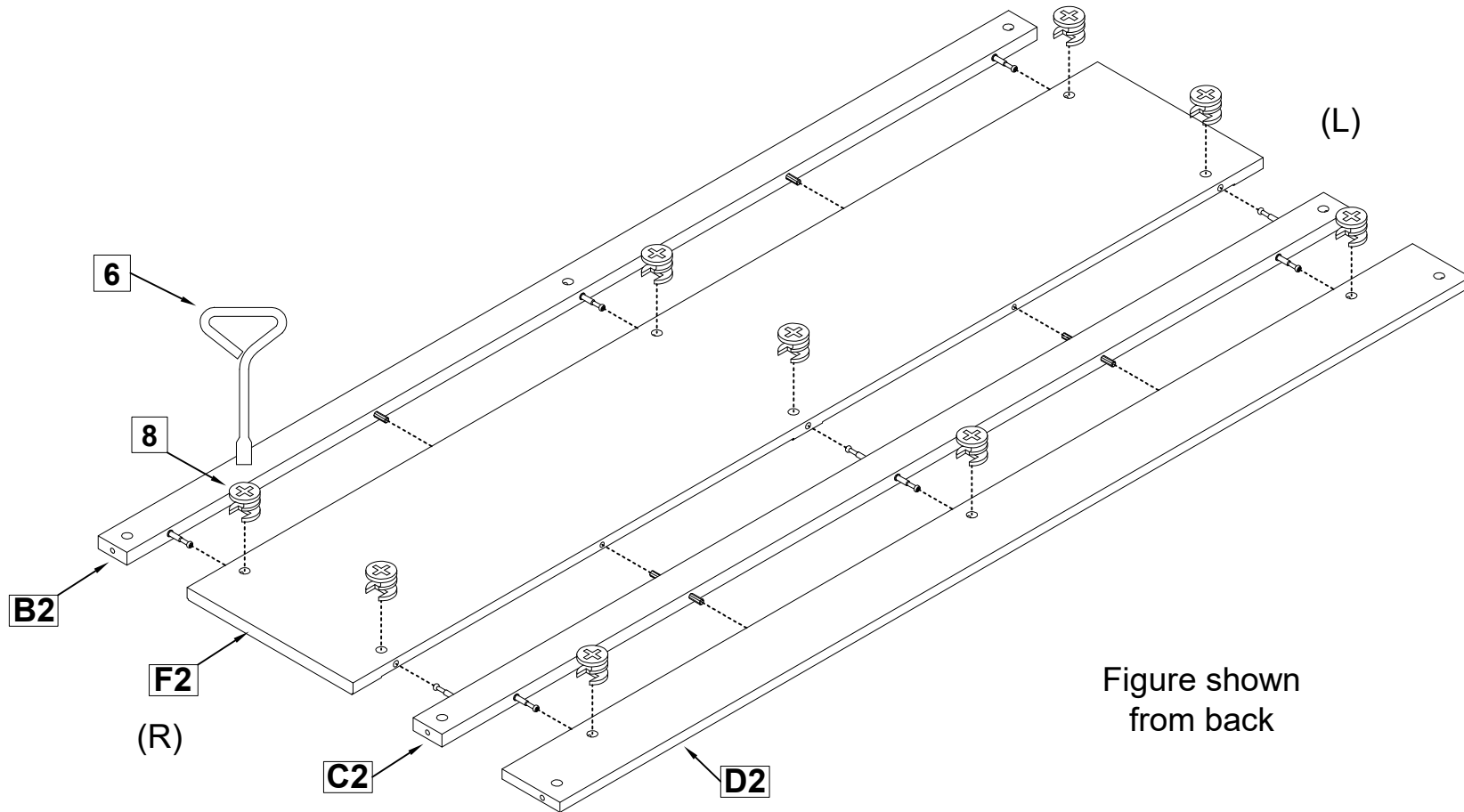
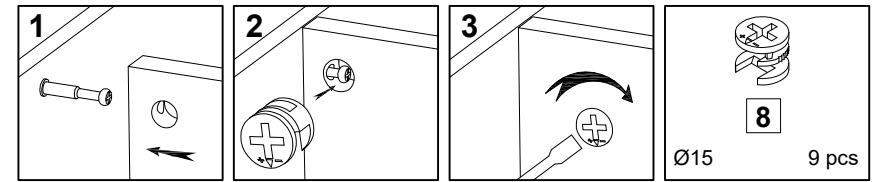
13



	
7	1
Ø1/4"x1-3/8" 18 pcs	Ø8x1-1/8" 6 pcs

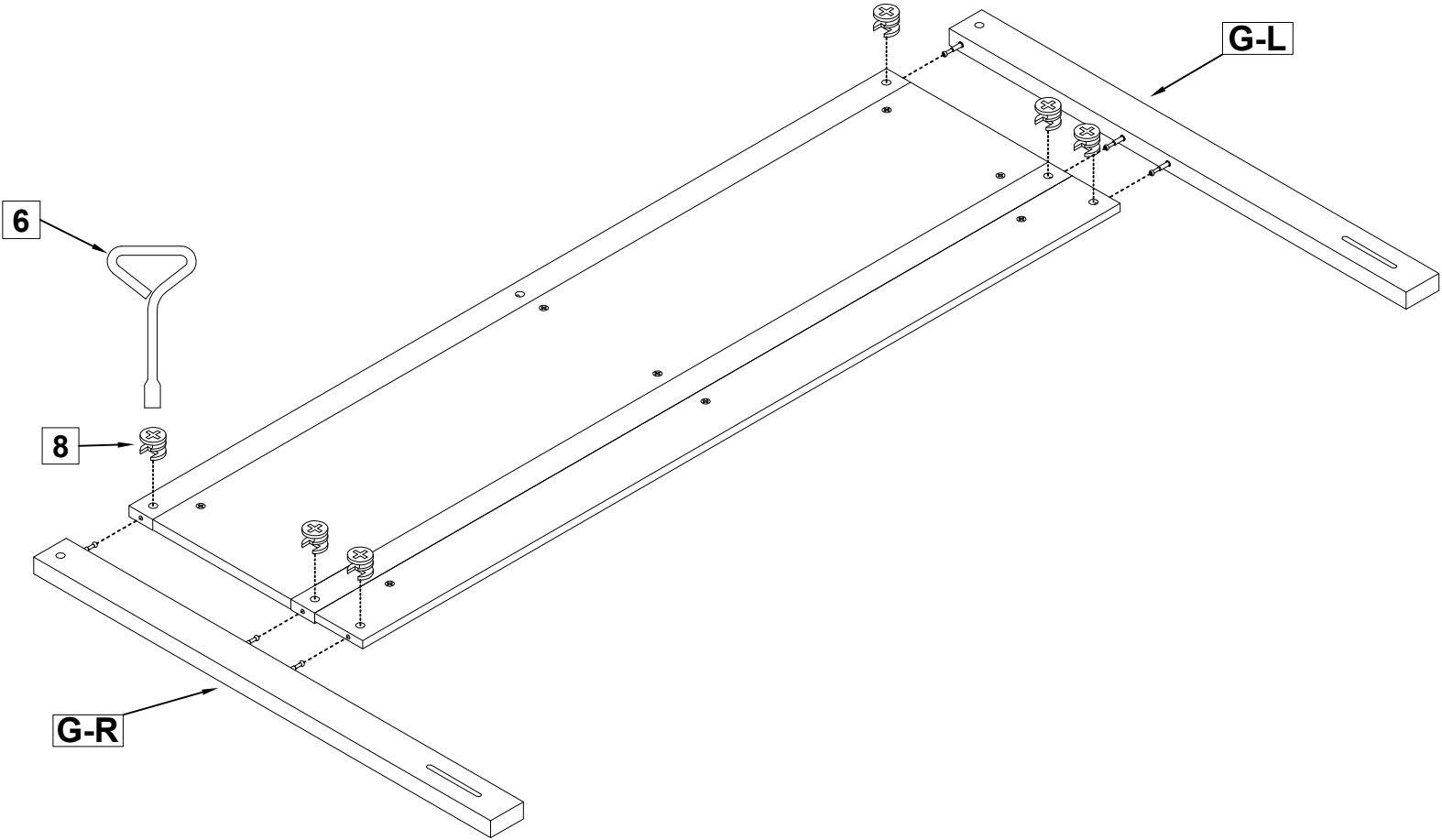
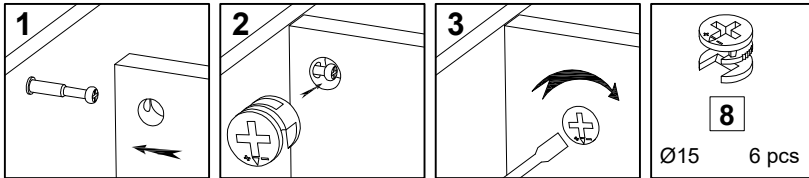
If you're having difficulty, our friendly Customer Care team is always here to help.

2



If you're having difficulty, our friendly Customer Care team is always here to help.

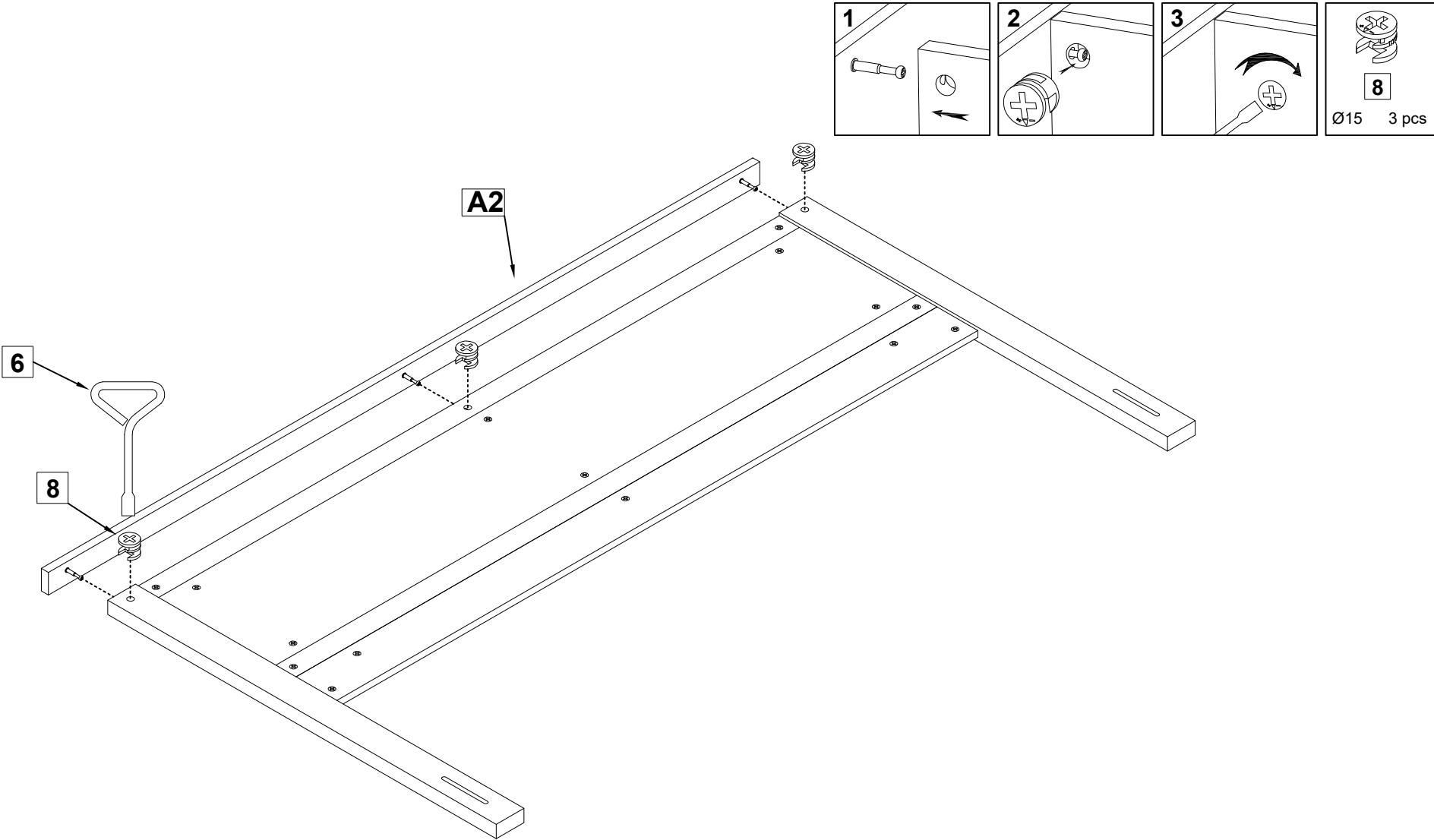
3



If you're having difficulty, our friendly Customer Care team is always here to help.

QUEEN BED

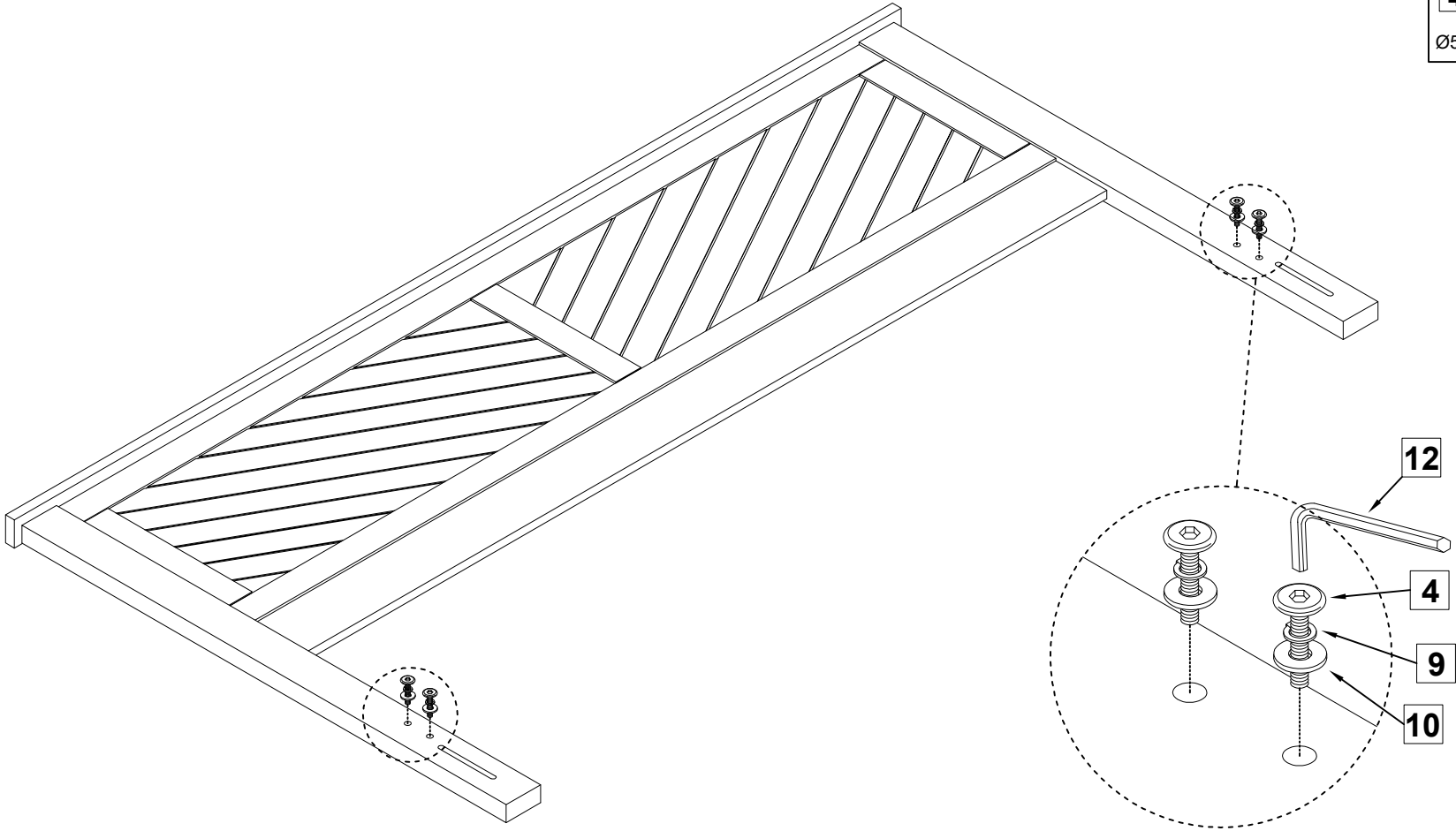
4



If you're having difficulty, our friendly Customer Care team is always here to help.

QUEEN BED

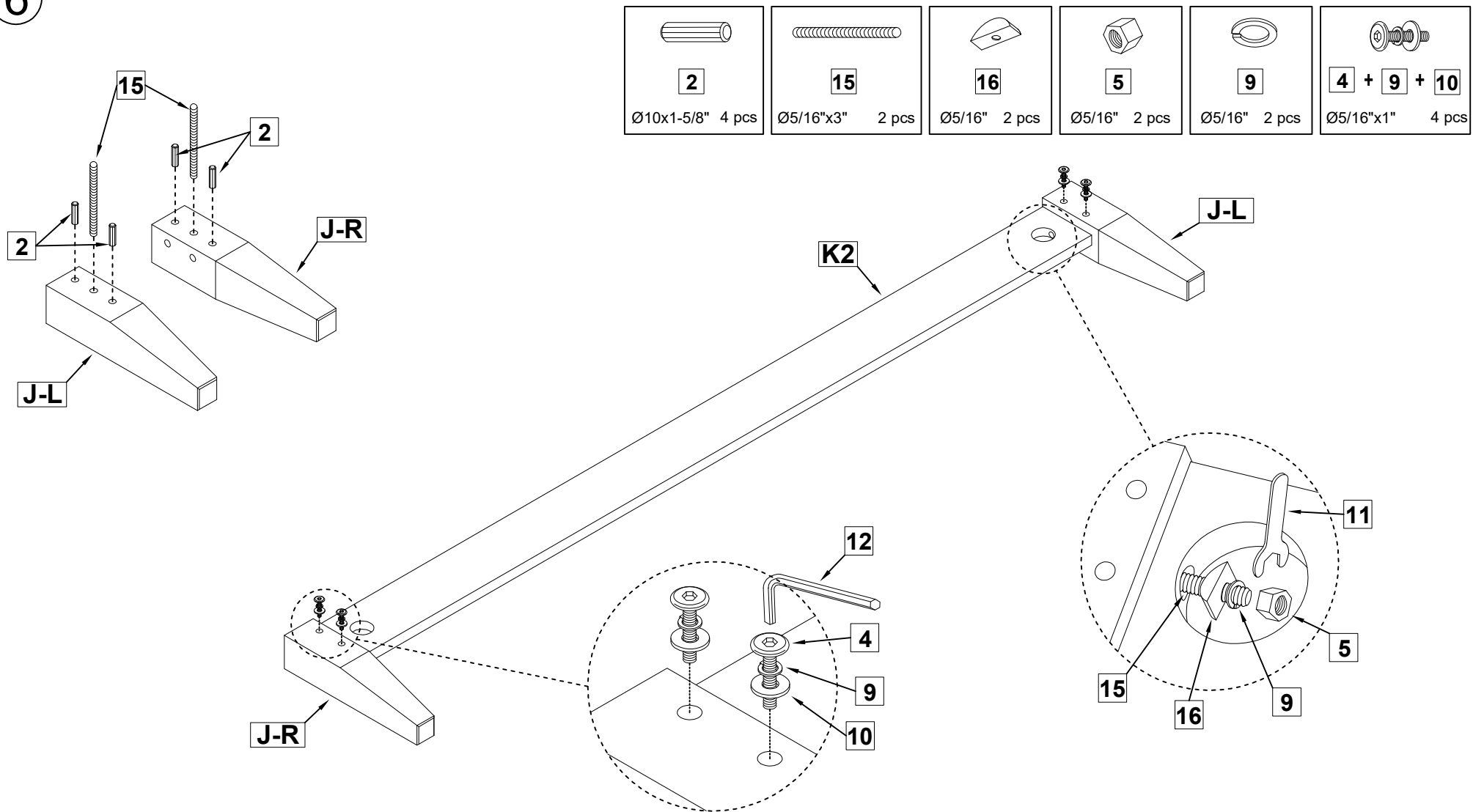
5



4	+	9	+	10
Ø5/16"x1"			4 pcs	

If you're having difficulty, our friendly Customer Care team is always here to help.

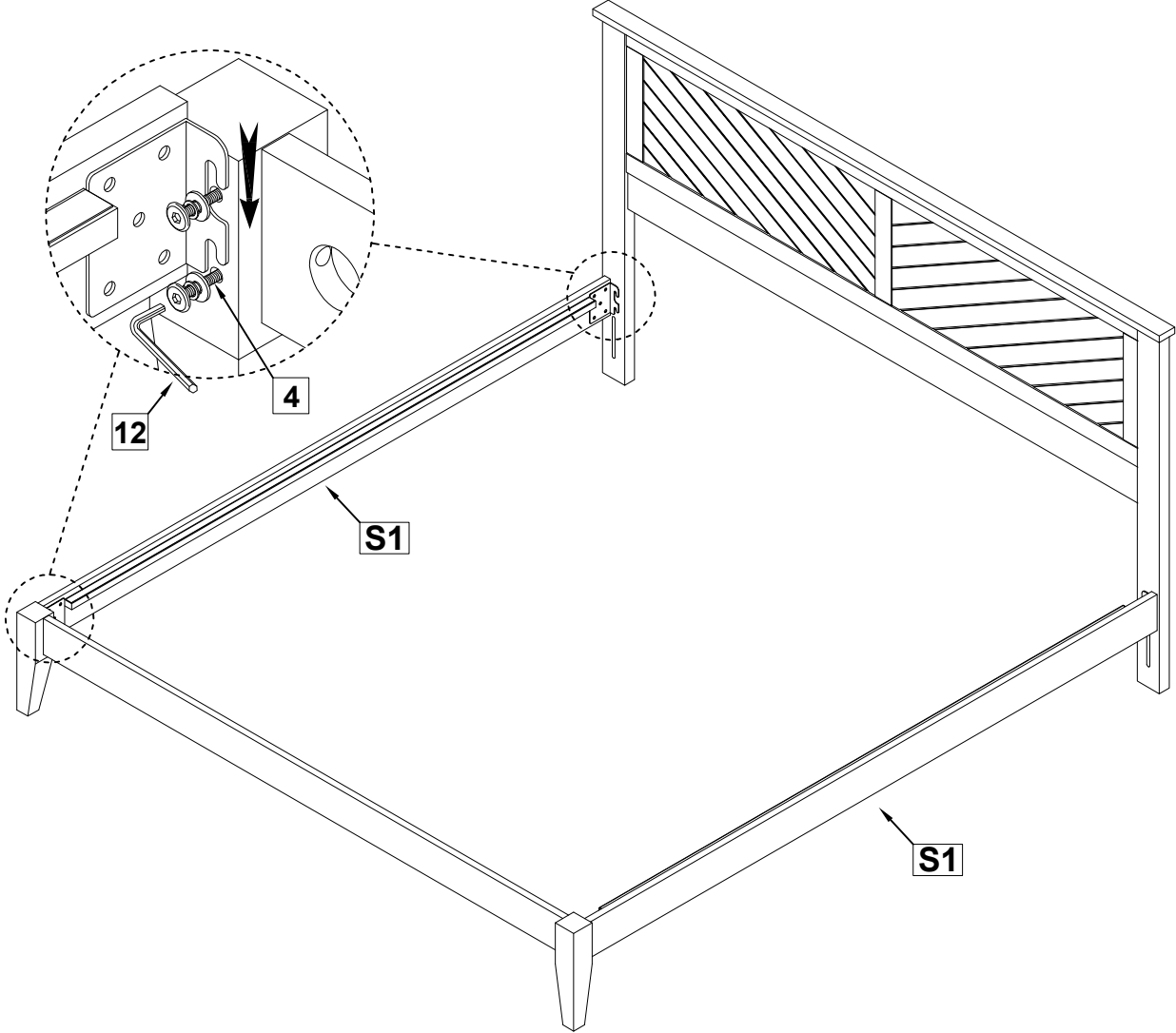
6



If you're having difficulty, our friendly Customer Care team is always here to help.

QUEEN BED

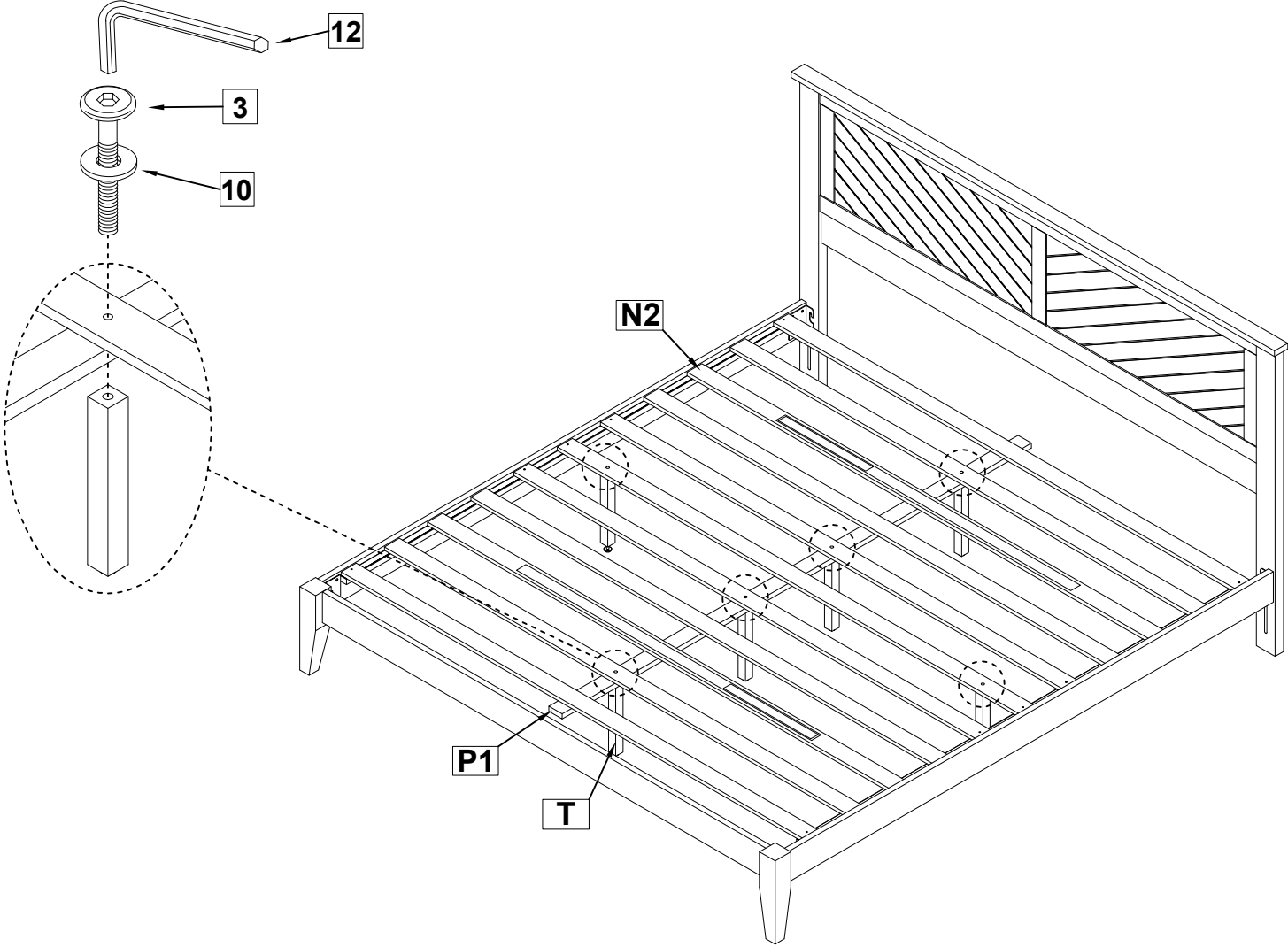
7



If you're having difficulty, our friendly Customer Care team is always here to help.

QUEEN BED

8

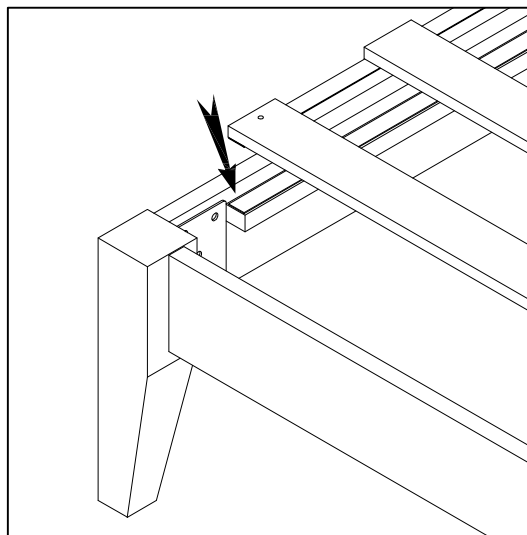


3 + 10
Ø5/16"x2" 6 pcs

If you're having difficulty, our friendly Customer Care team is always here to help.

9

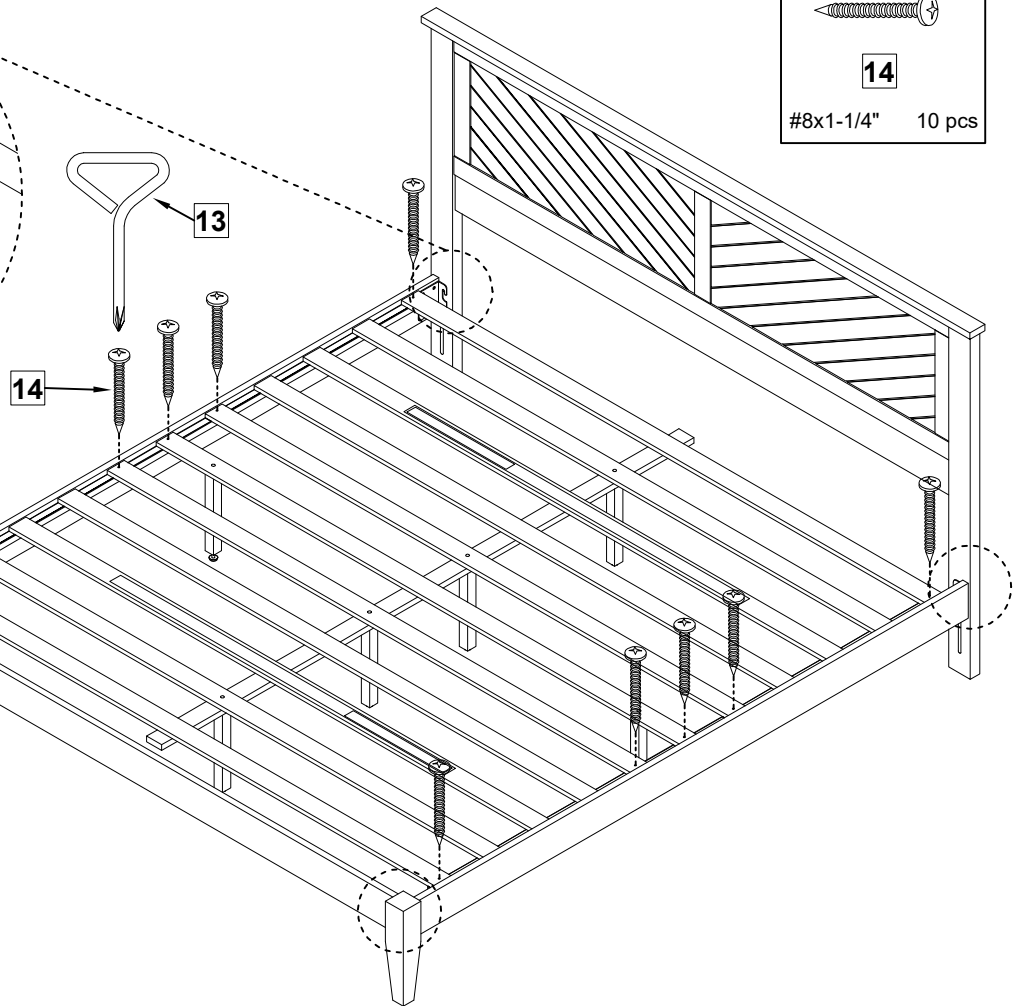
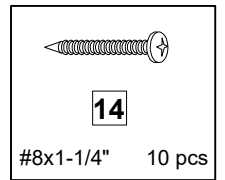
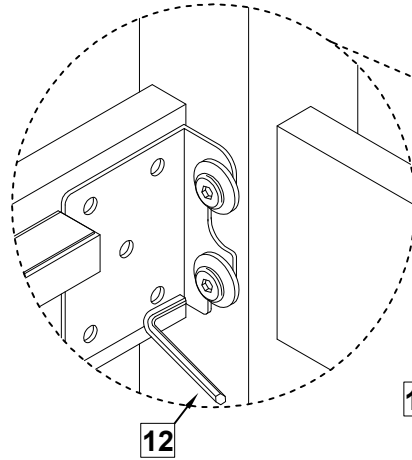
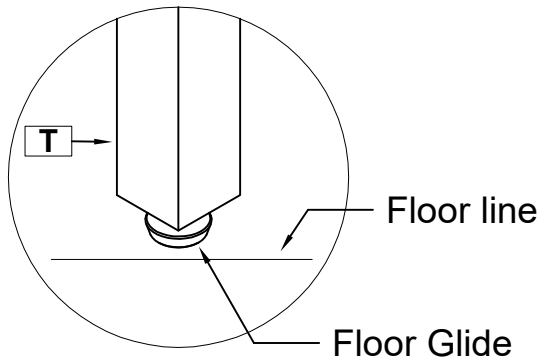
After the slat system is assembled, place the slats into the frame of the bed as shown, and velcro the slats to the cleat of side rail as shown below.



Velcro the ends of slat to the cleats of side rail

If you're having difficulty, our friendly Customer Care team is always here to help.

10



NOTE:

The center support leg glide sits approximately 1/4" off of the floor. The glide will usually touch the floor after a mattress is placed on the bedframe.

Do not place a mattress on bedframe until it is fully assembled and tightened. The bedframe should be located in your desired location. Sliding the bed with weight upon it can compromise the integrity of the center support legs.

You're all finished! Sweet dreams!

If you're having difficulty, our friendly Customer Care team is always here to help.