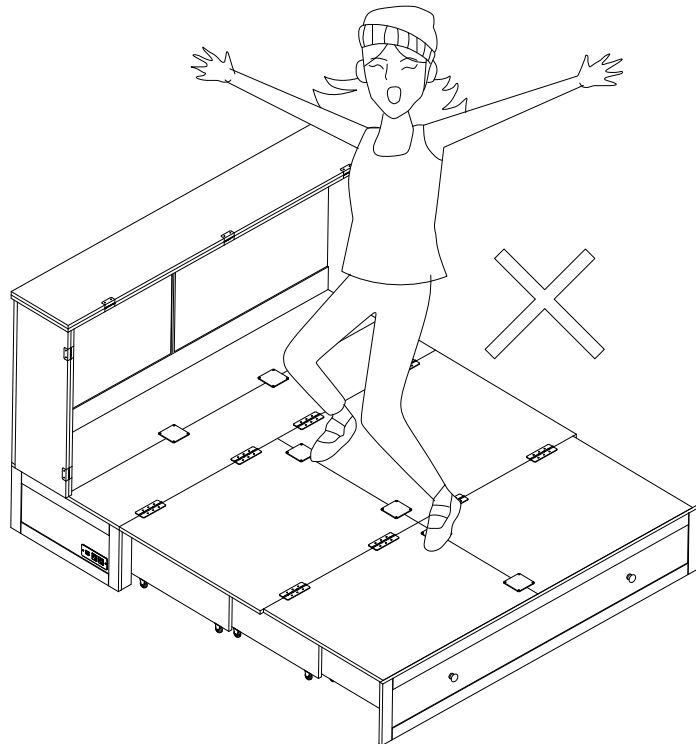
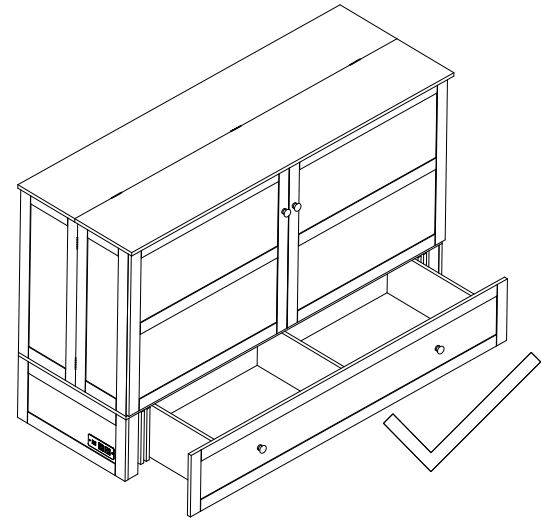
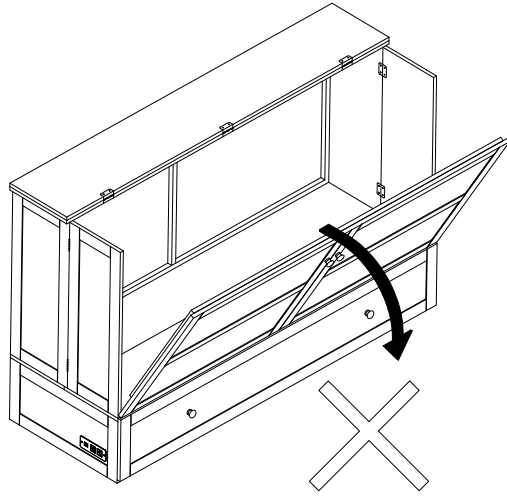
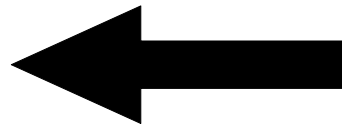
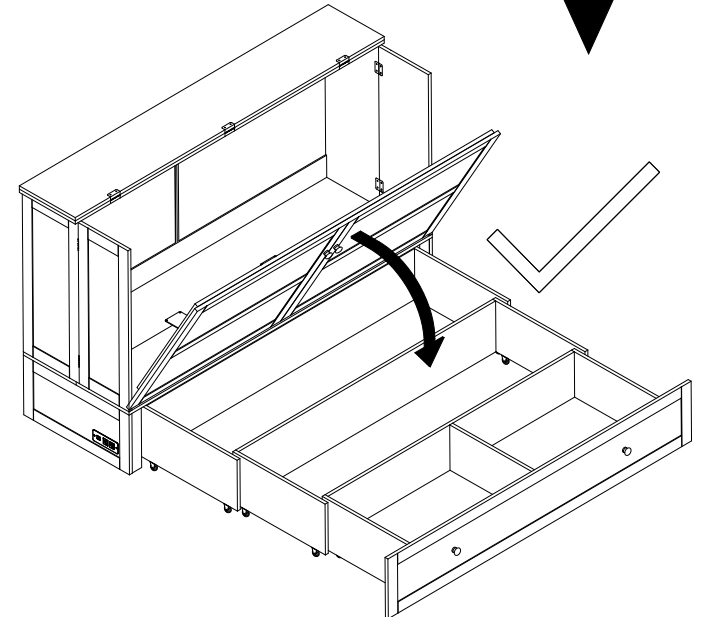


Product Usage Instructions



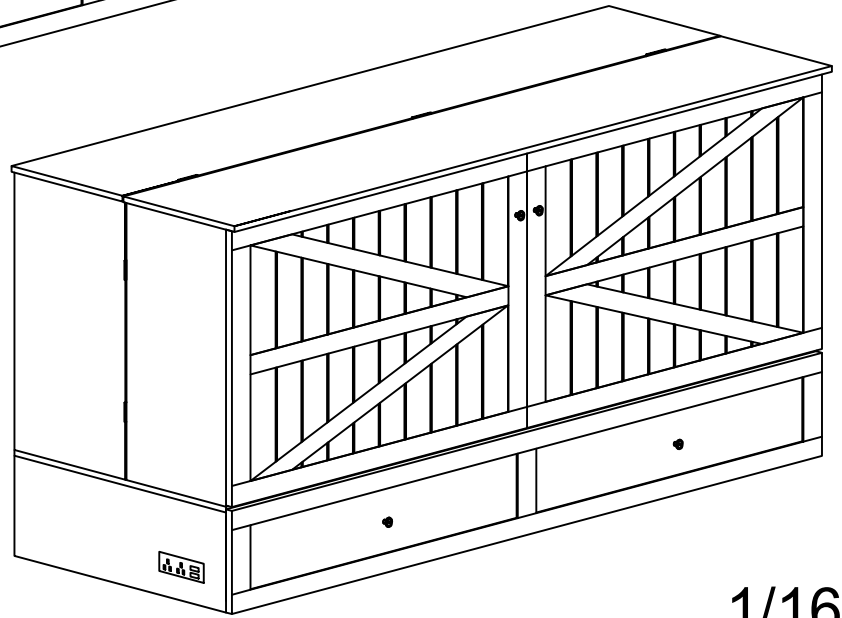
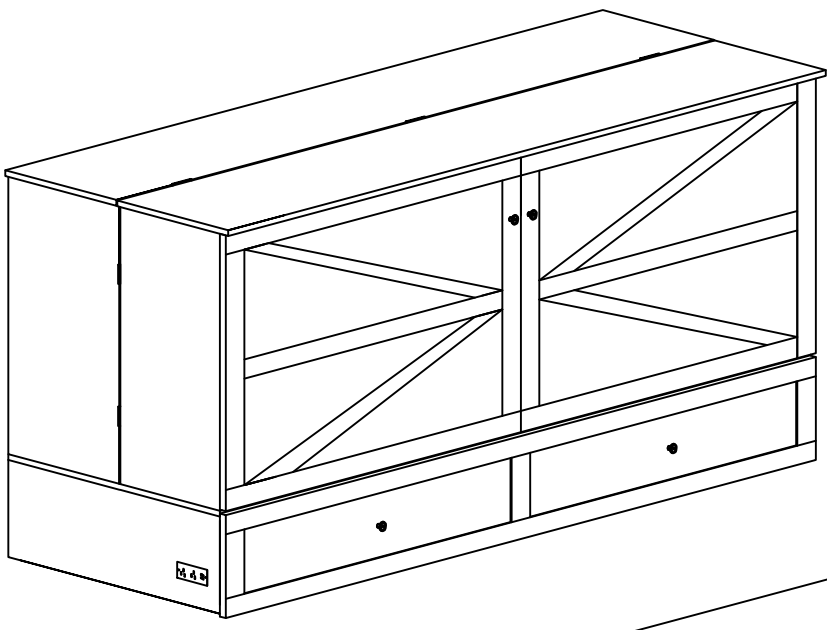
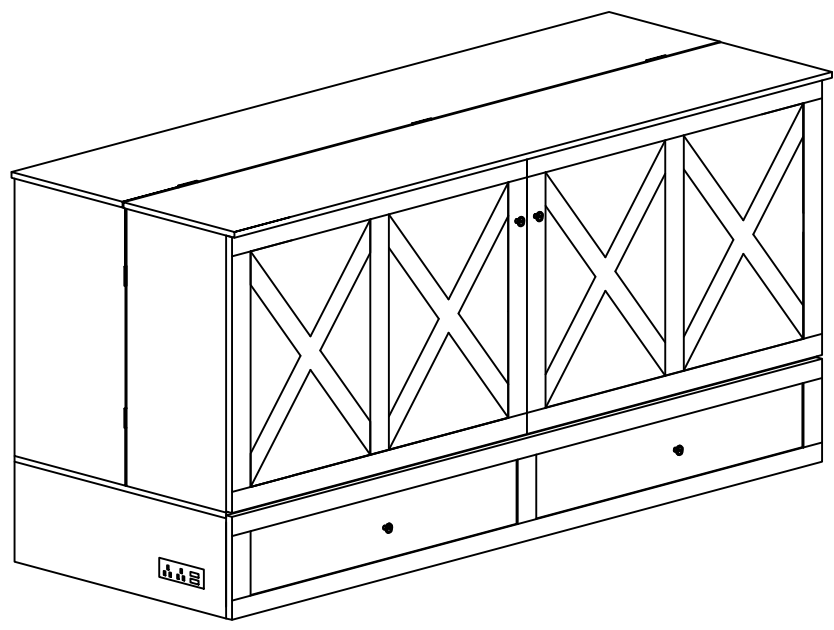
NO JUMPING.

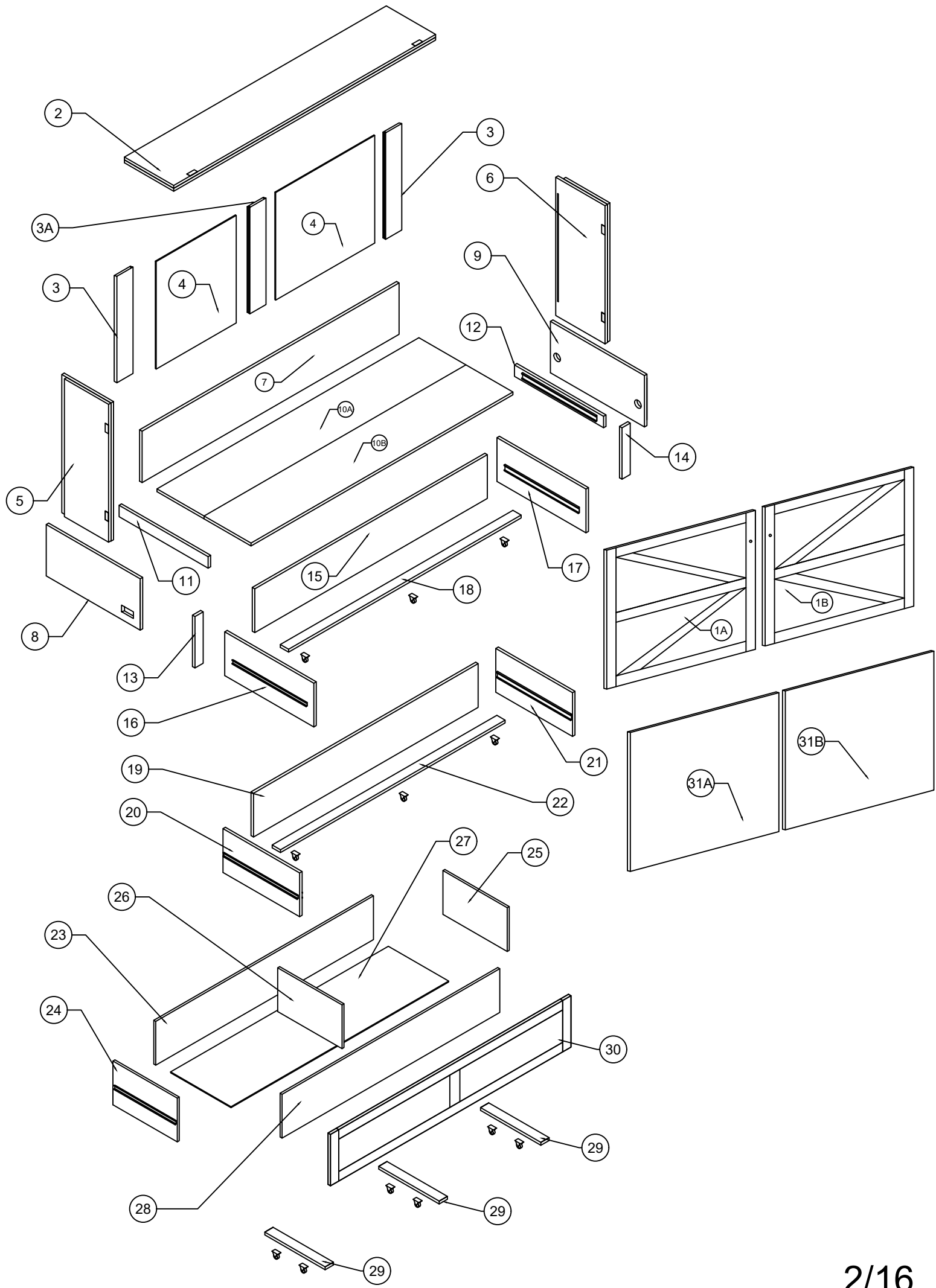


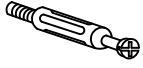
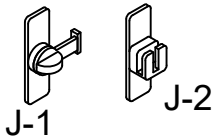




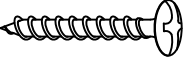
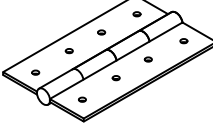
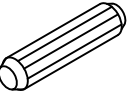
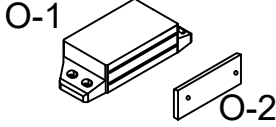
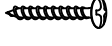
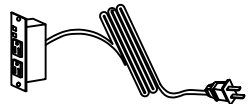

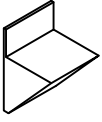
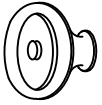


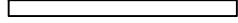
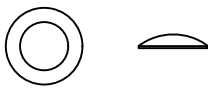
INSTALLATION GUIDE



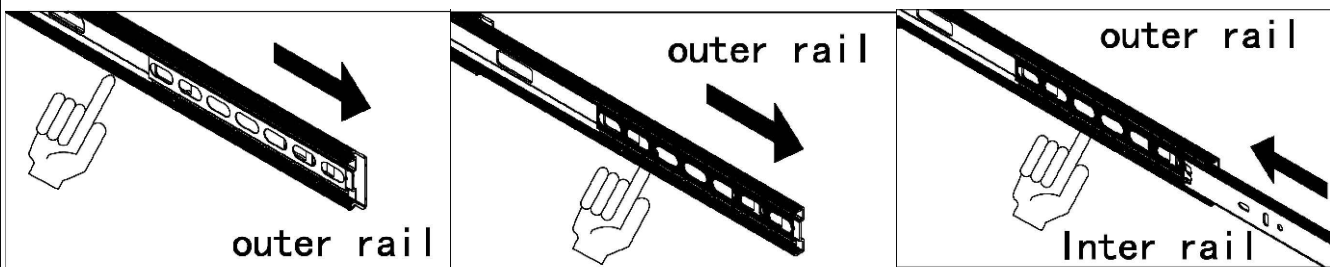
Suggest using electric tools for installation



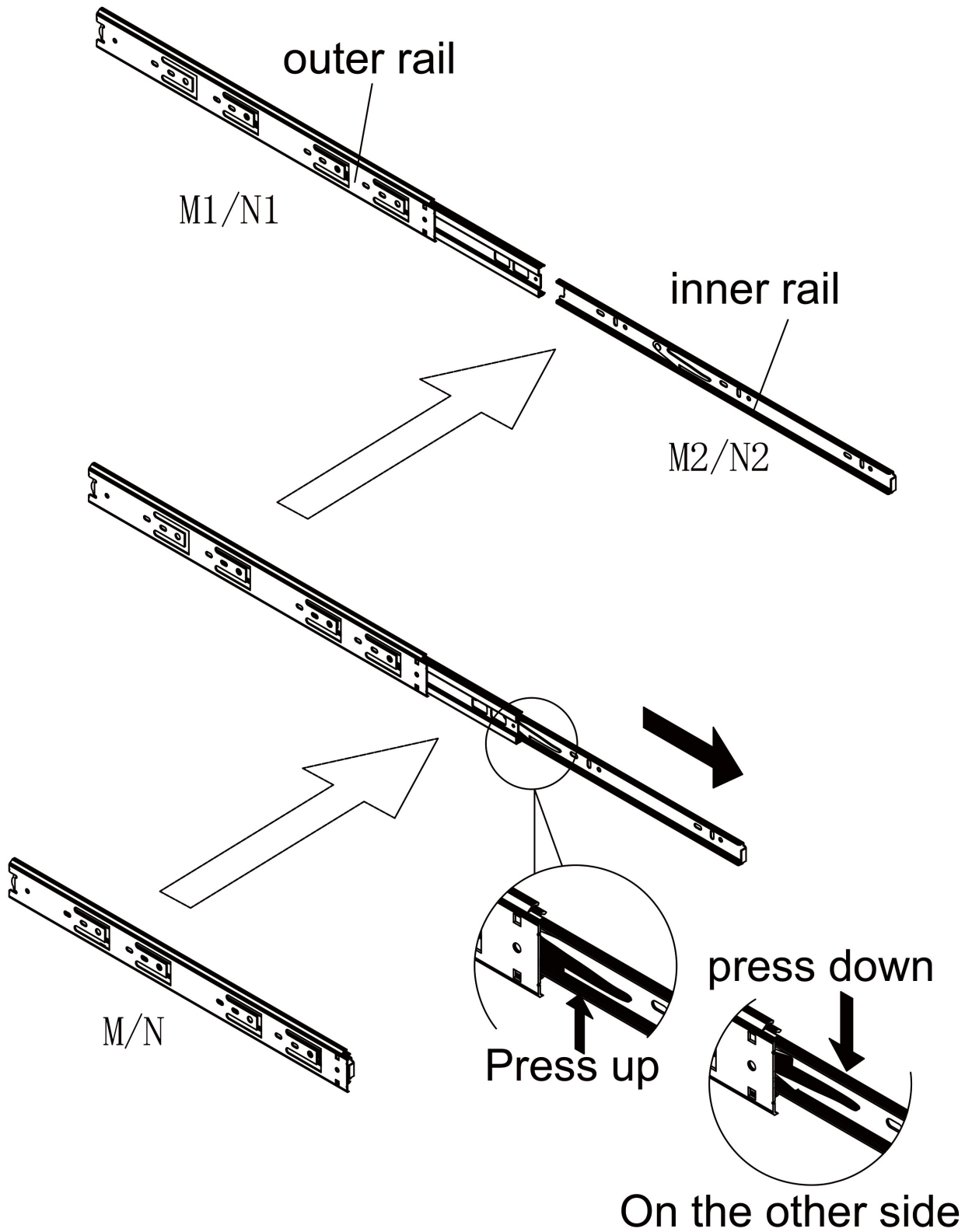


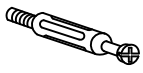
A	 M15	65 PCS	J	 J-1 J-2	2 PCS
B	 M15	65 PCS	T	 TOOL	1 PCS
C	 80*80	6 PCS	K		12 PCS
E	 M4*30	25 PCS	L		8 PCS
D	 M8*40	13 PCS	O	 O-1 O-2	2 PCS
F	 M3.5*14	130 PCS	P		1 PCS
H	 M4*18	4 PCS	Q		6 PCS
I		4 PCS	R	 M6*13	25 PCS
S	 M6*18	8 PCS	X	 M15*150	4 PCS
Z		2 PCS			

Special hardware install instructions



Special hardware removal instructions



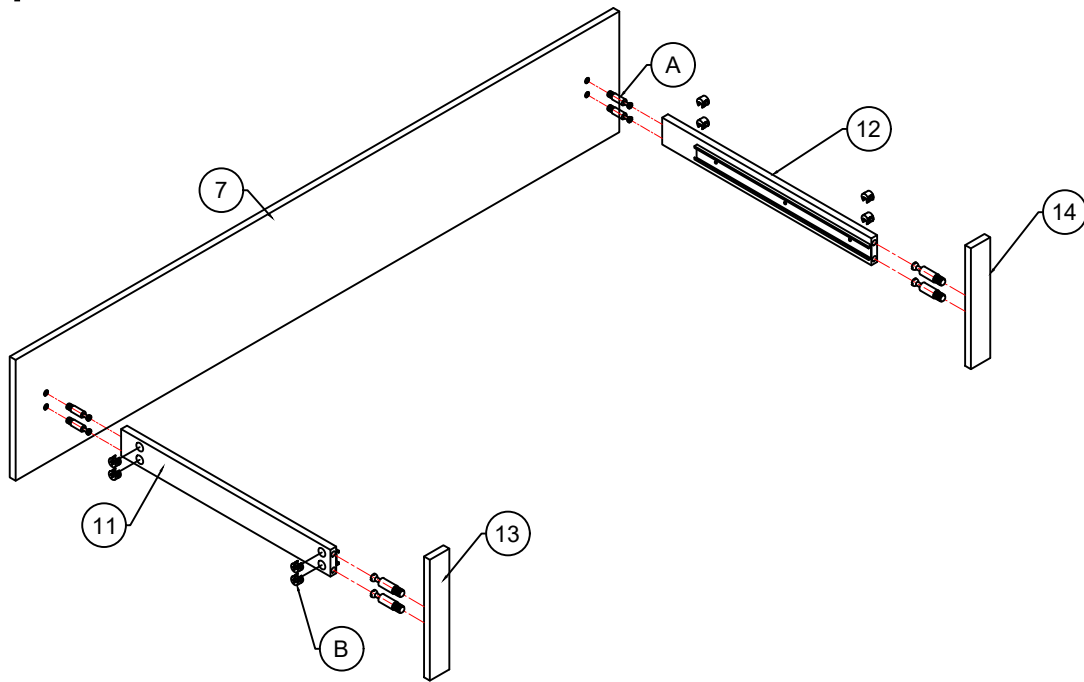
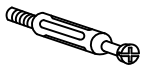
A

8 PCS

B

M15

8 PCS

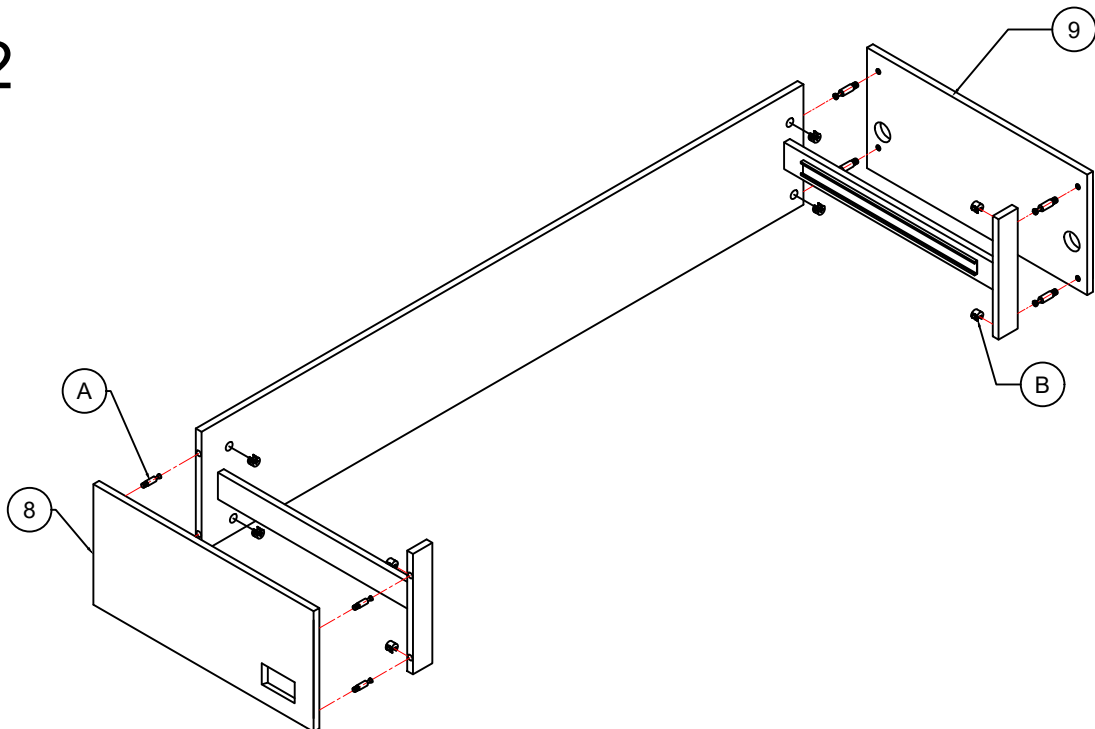
STEP 1**A**

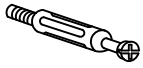
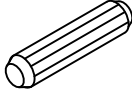

8 PCS

B

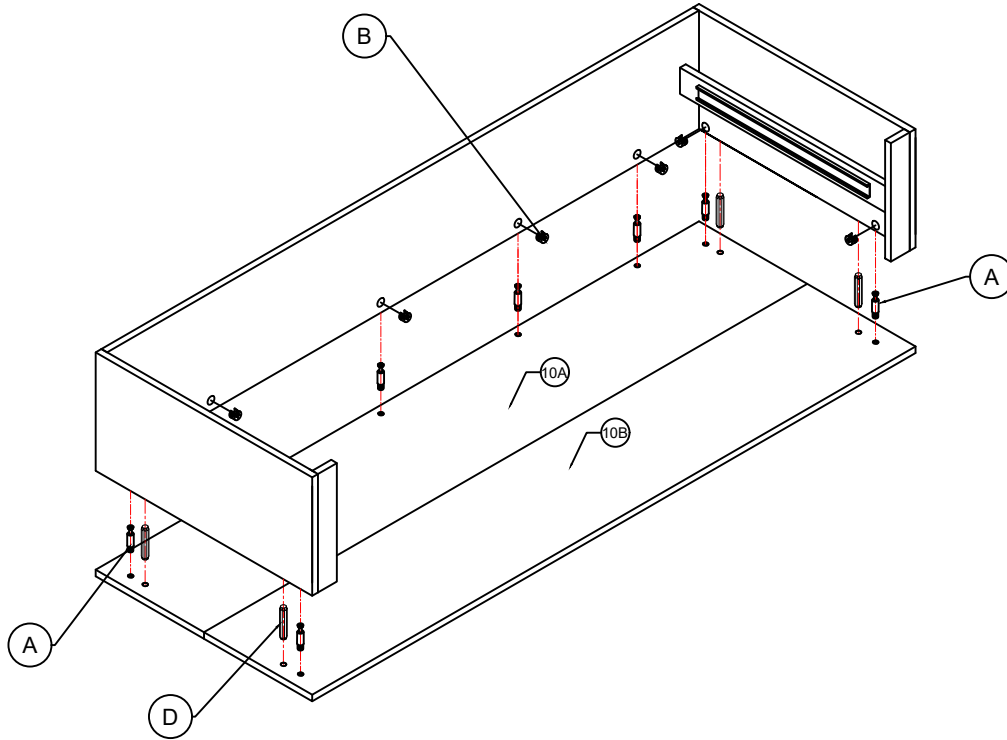
M15


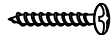


8 PCS

STEP 2

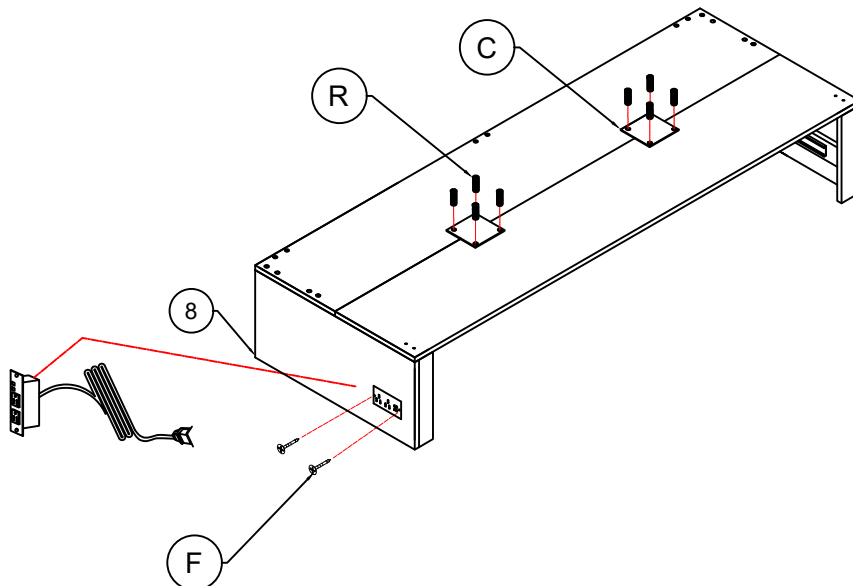
A		8 PCS	D		4 PCS
B	 M15	8 PCS			

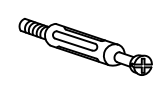
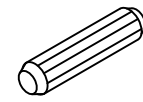

STEP 3



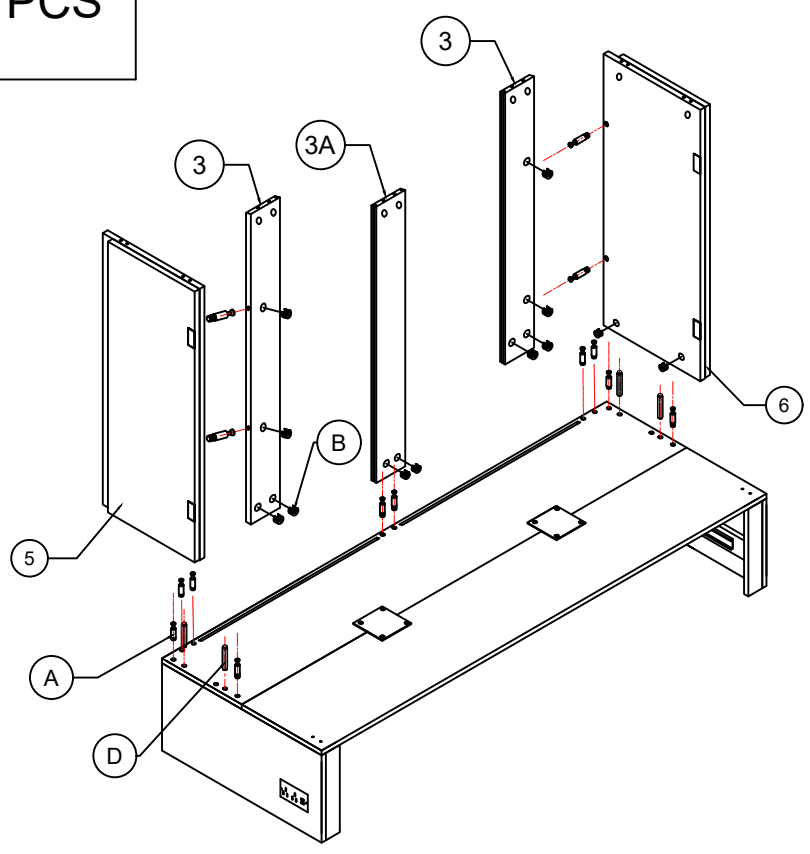
P		1 PCS	F	 M3.5*14	2 PCS
C	 80*80	2 PCS	R	 M6*13	8 PCS


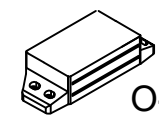
STEP 4

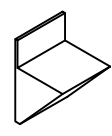


A		14 PCS	D		4 PCS
B	 M15	14 PCS			

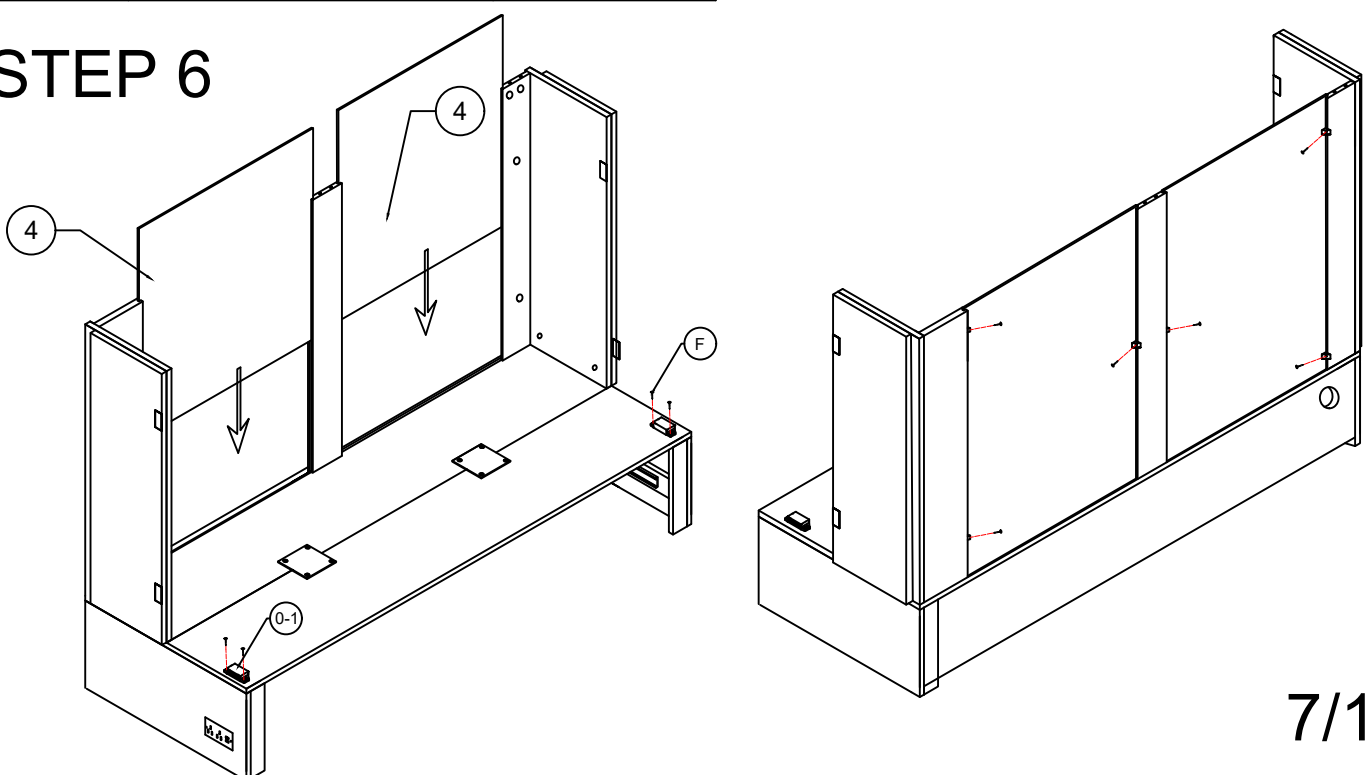
STEP 5

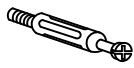

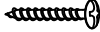

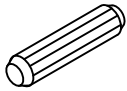
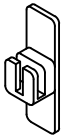


F	 M3.5*14	10PCS	O	 O-1	2 PCS
----------	--	-------	----------	--	-------

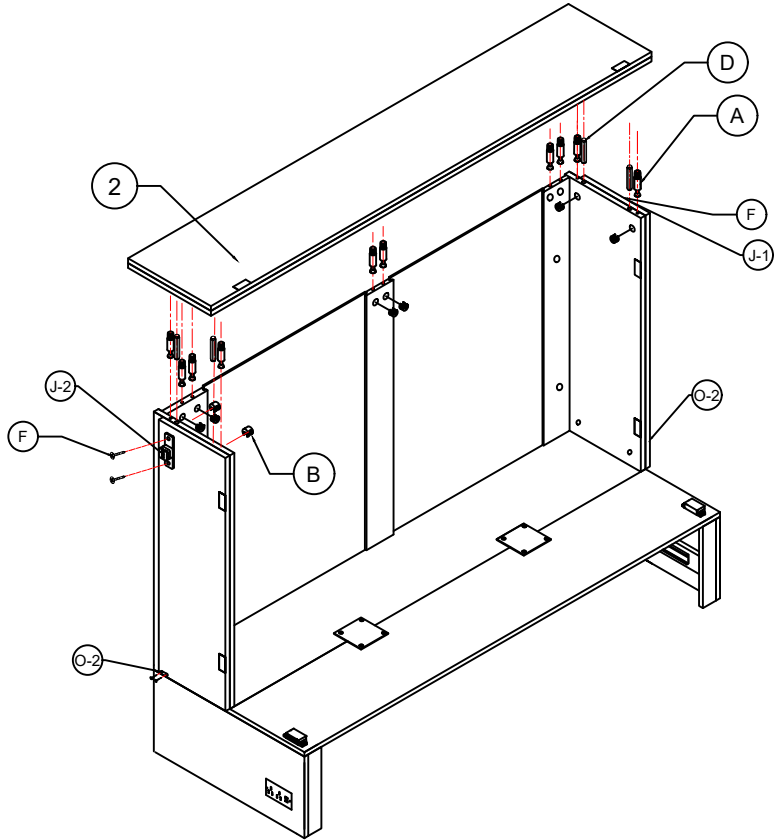
Q		6 PCS			
----------	---	-------	--	--	--



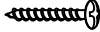

STEP 6



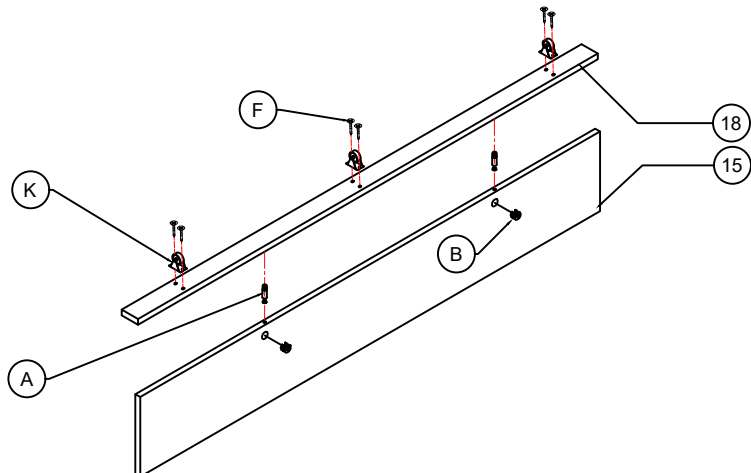
A		10 PCS	B	 M15	10 PCS
F	 M3.5*14	8 PCS	O	 O-2	2 PCS
D		4 PCS	J	 J-2	2 PCS

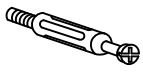
STEP 7



A		2 PCS	B	 M15	2 PCS
F	 M3.5*14	6 PCS	K		3 PCS

STEP 8



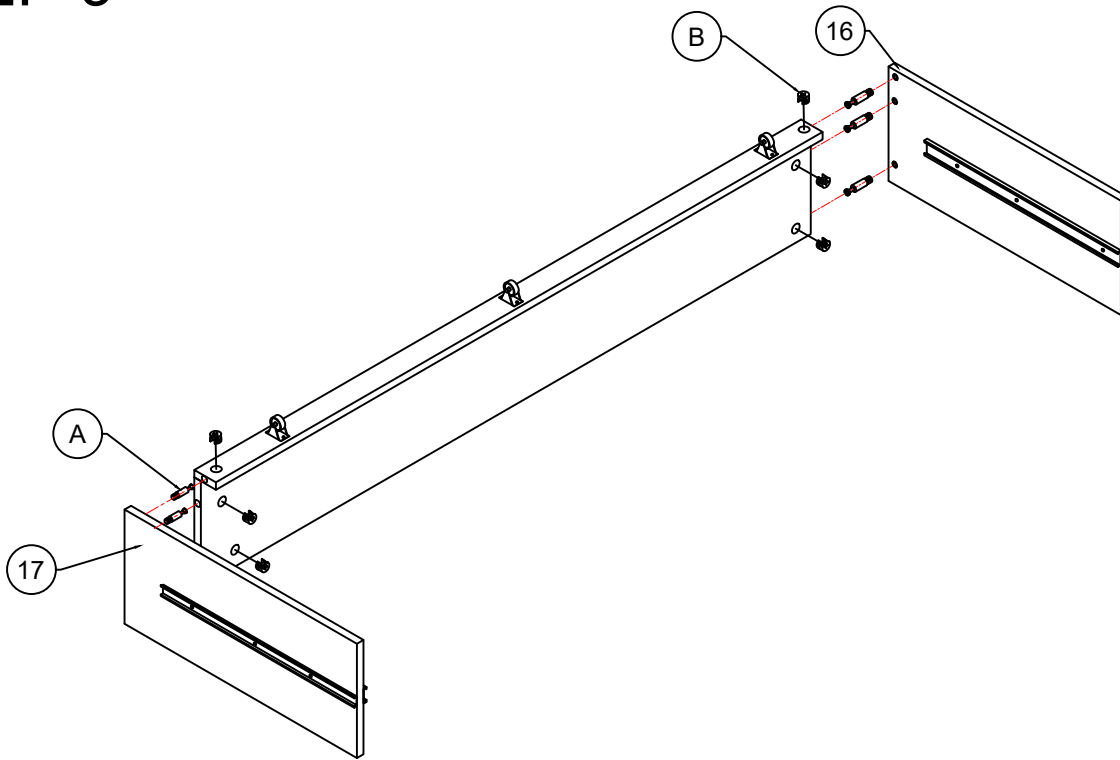
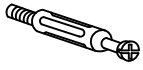
A

6 PCS

B

M15

6 PCS

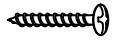
STEP 9**A**

2 PCS

B

M15

2 PCS

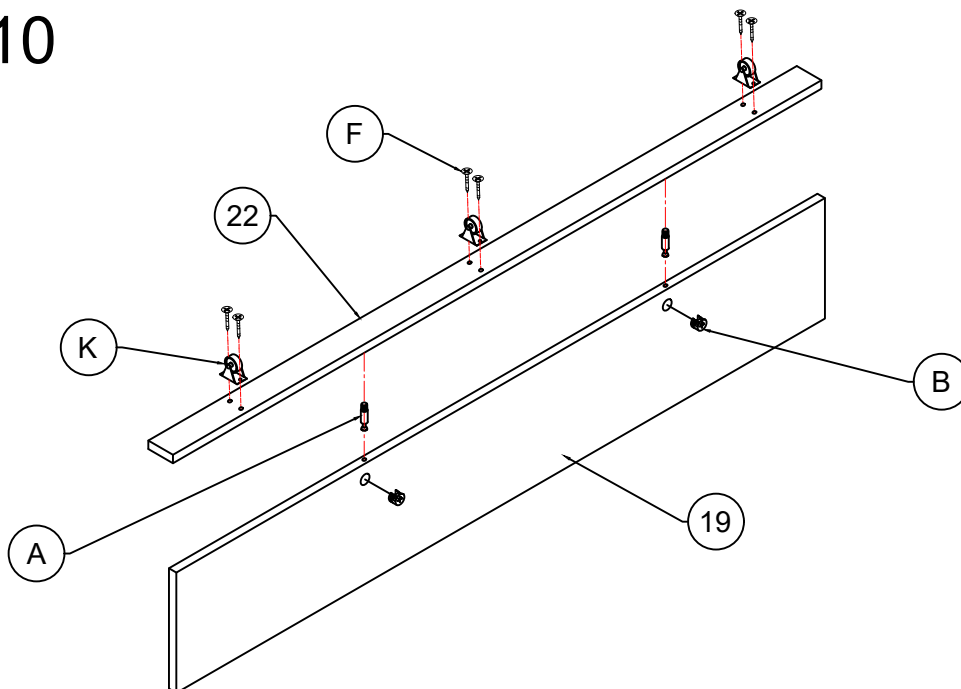
F

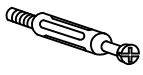
M3.5*14

6 PCS

K

3 PCS

STEP 10

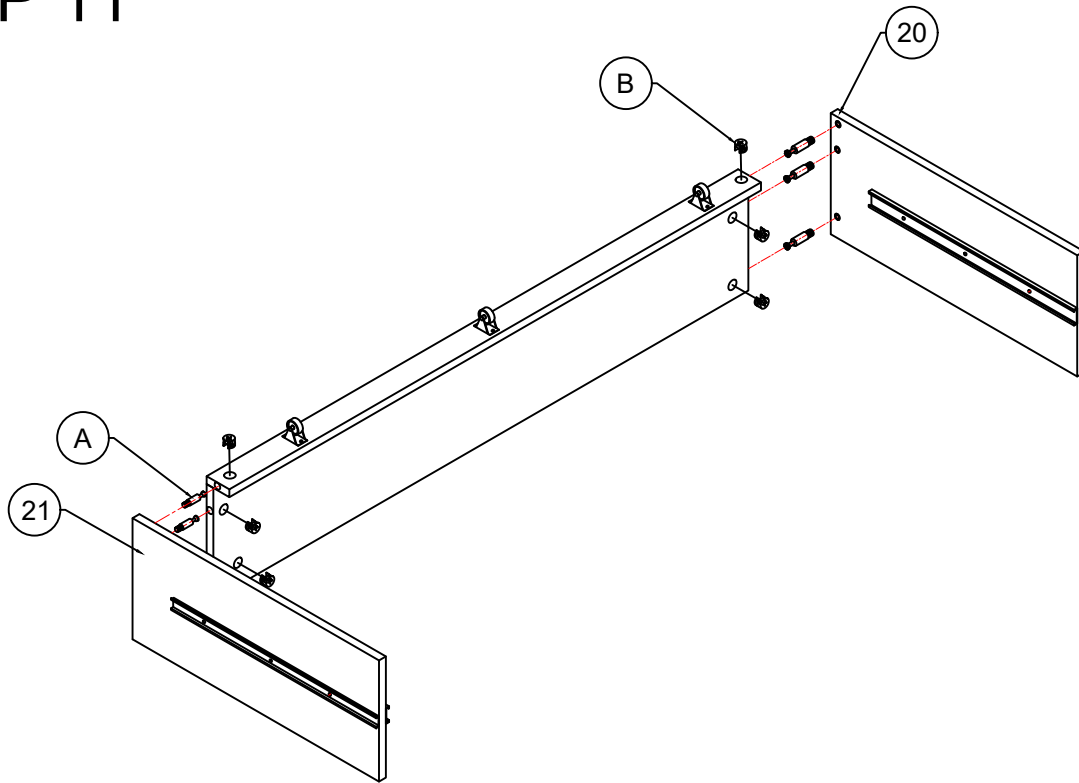
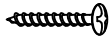
A

6 PCS

B

M15

6 PCS

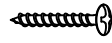
STEP 11**E**

M4*30

8 PCS

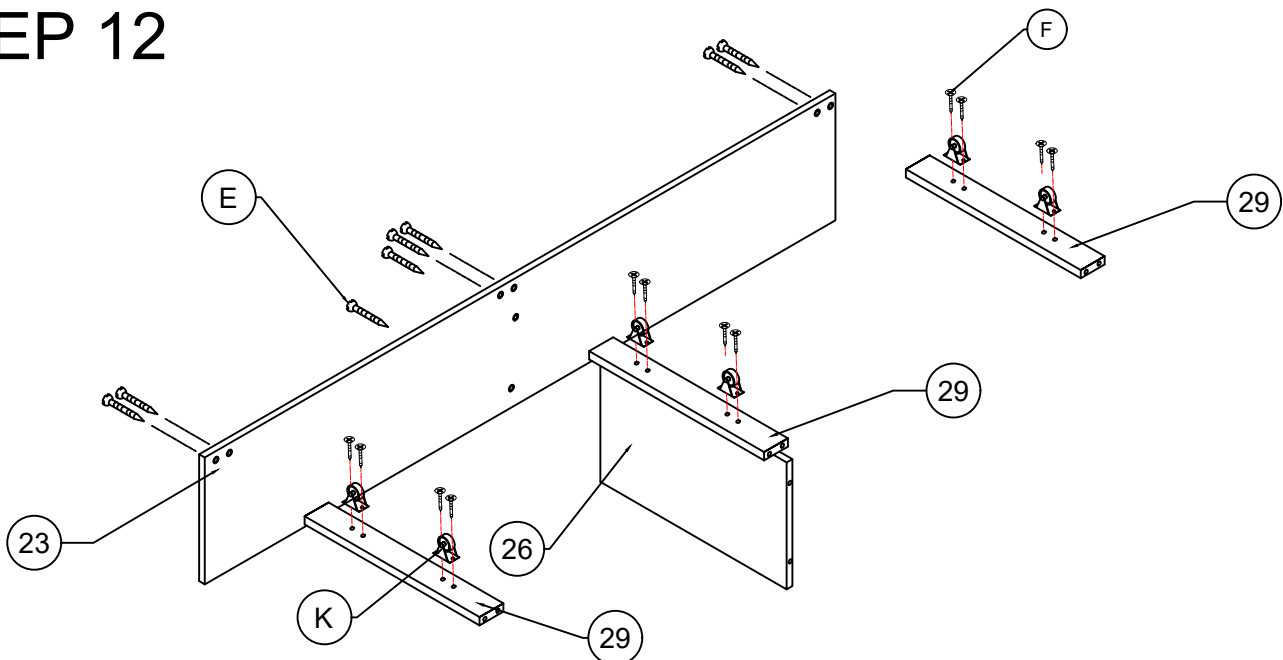
K

6 PCS

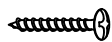
F

M3.5*14

12 PCS

STEP 12

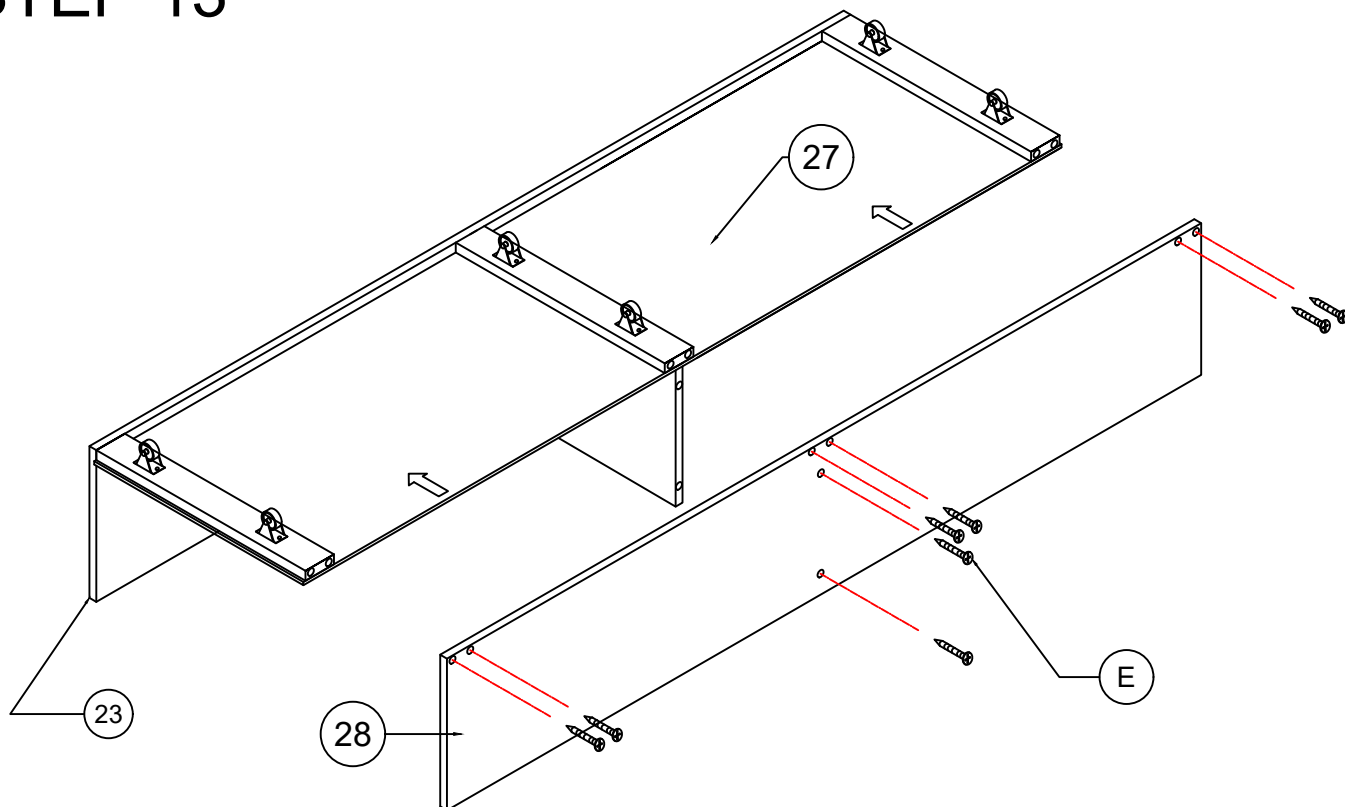
E



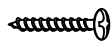
M4*30

8 PCS

STEP 13



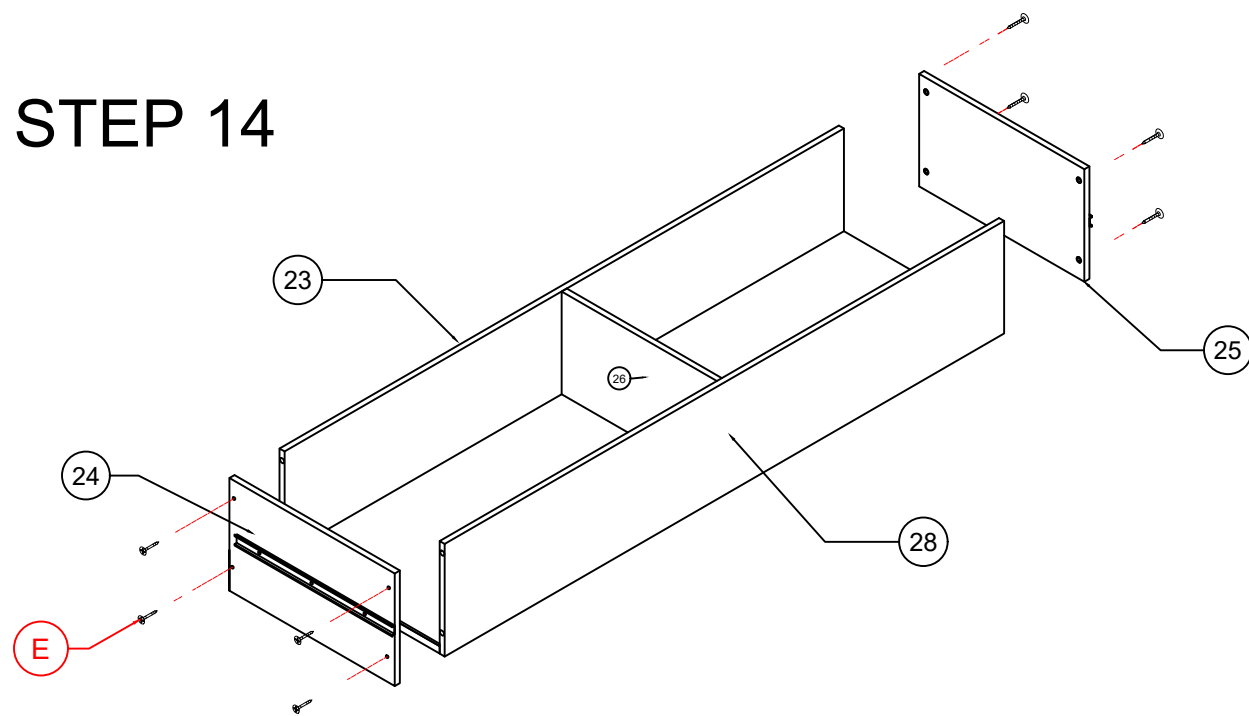
E


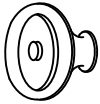



M4*30

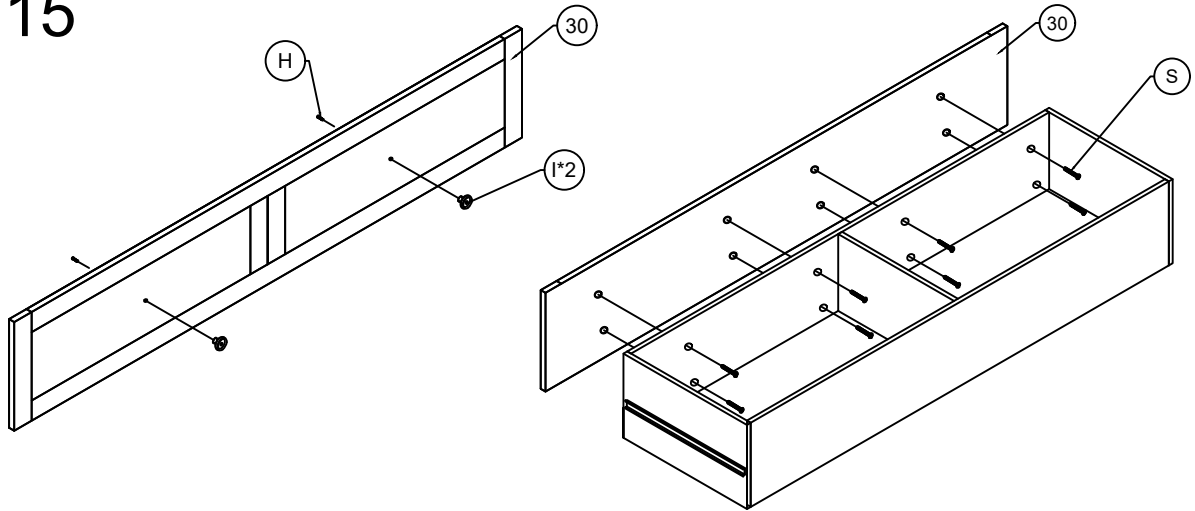
8 PCS


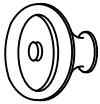


STEP 14



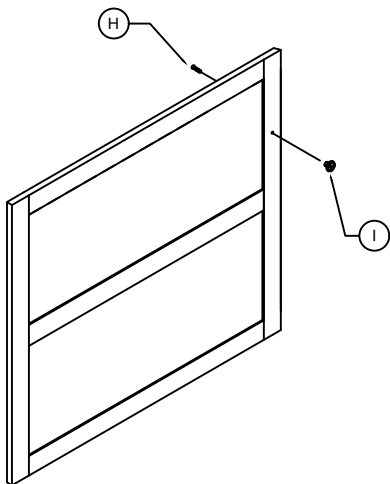
H	 M4*20	2 PCS	I	 	2 PCS
S	 M6*18	8 PCS			

STEP 15

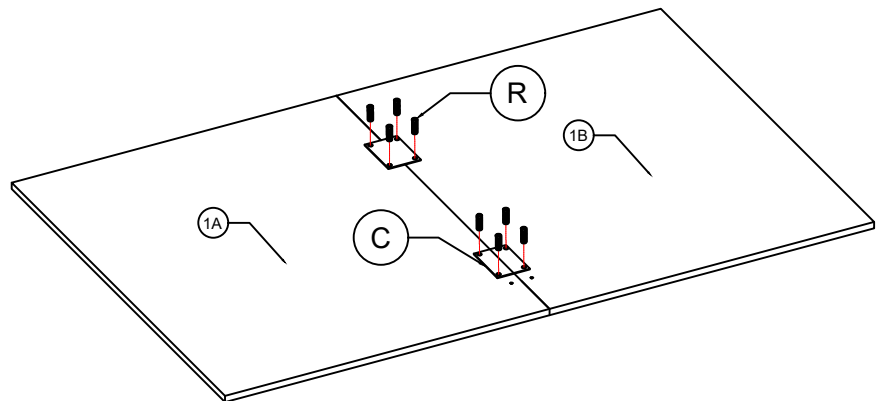


H	 M4*20	2 PCS	I	 	2 PCS
C	 80*80	2 PCS	R	 M6*13	8 PCS

STEP 16



Install iron plate first, then install pull handle



C



80*80

2 PCS

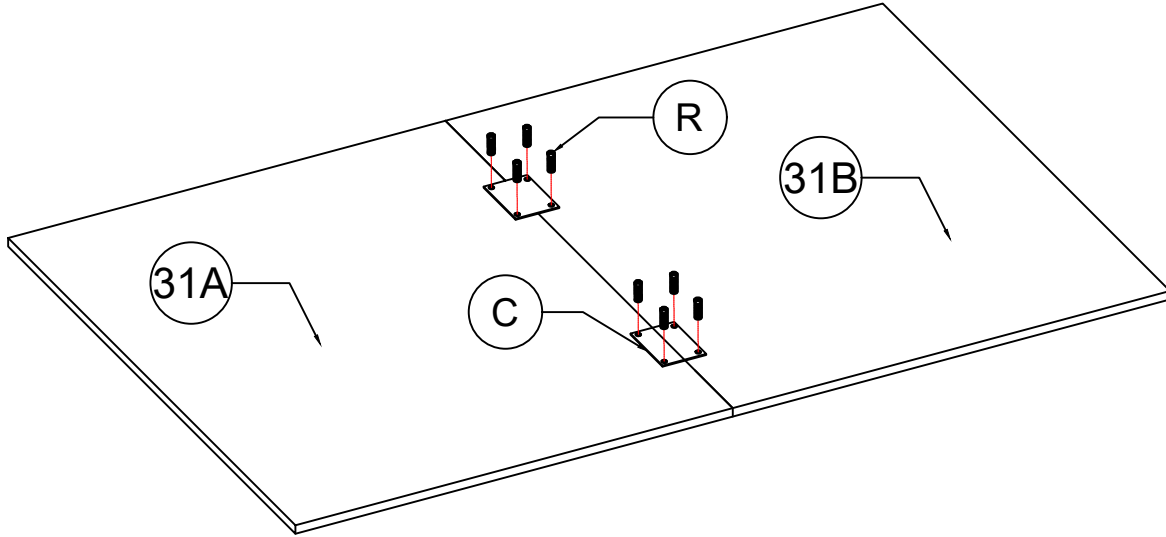
R



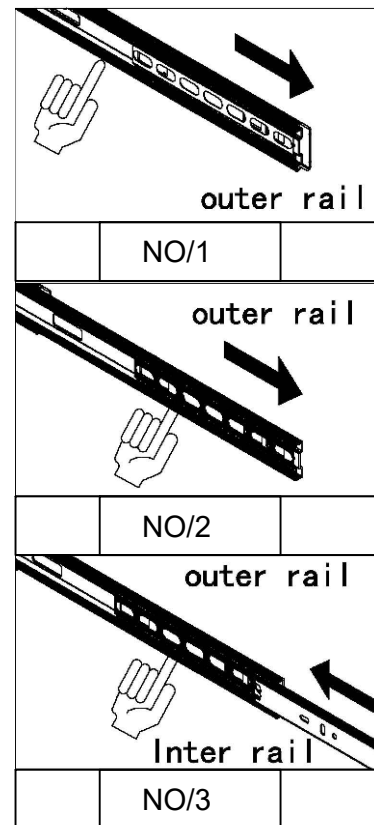
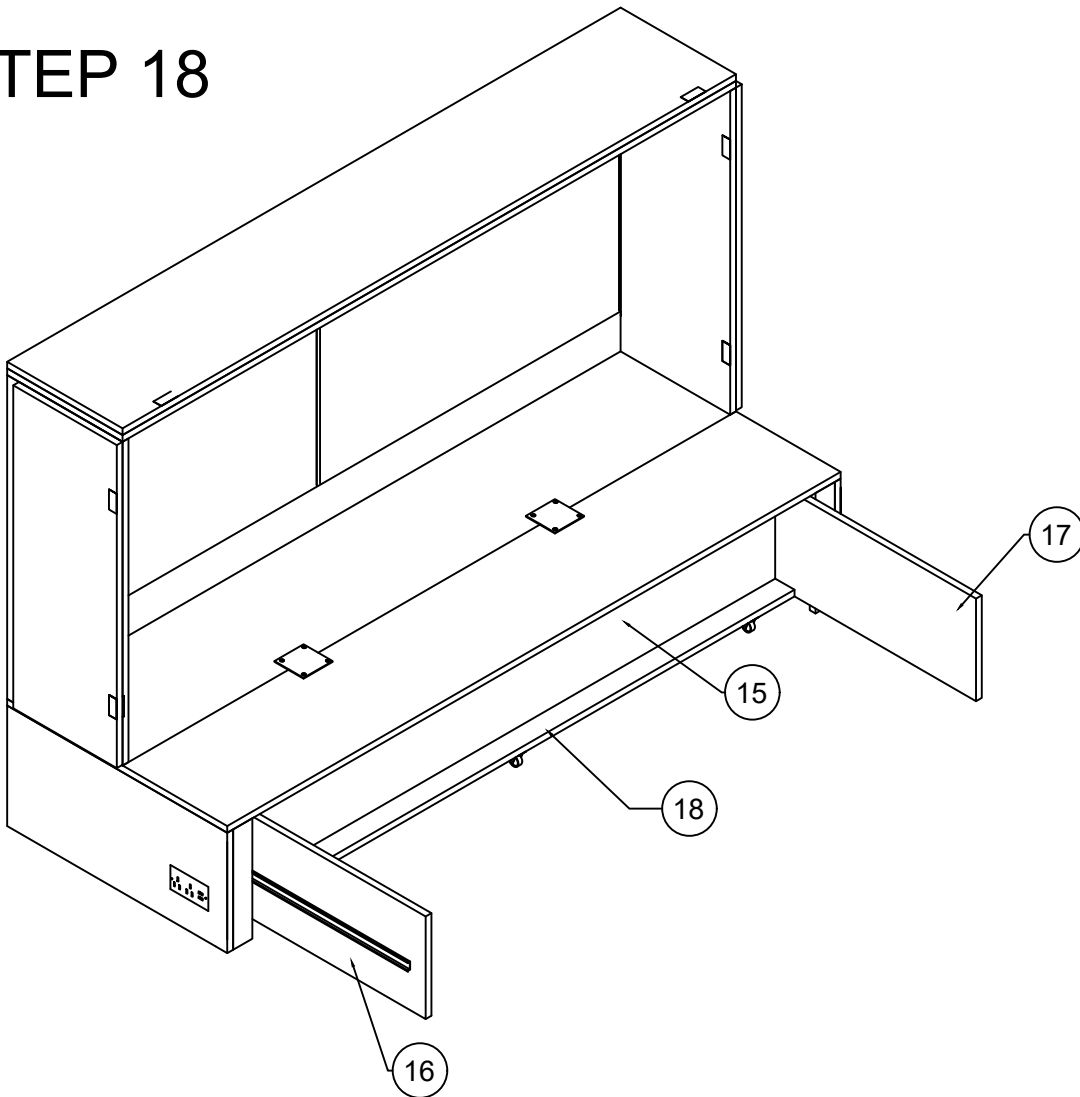
M6*13

8 PCS

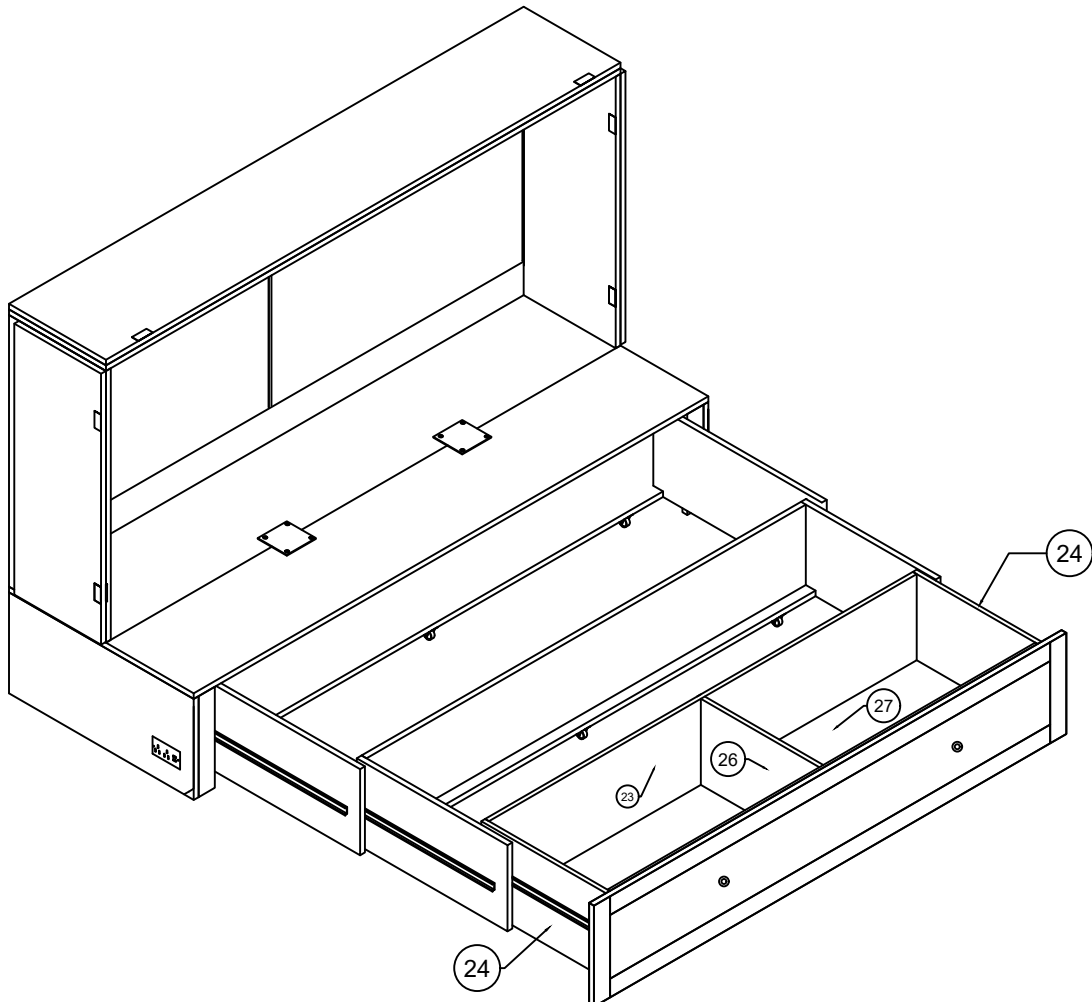
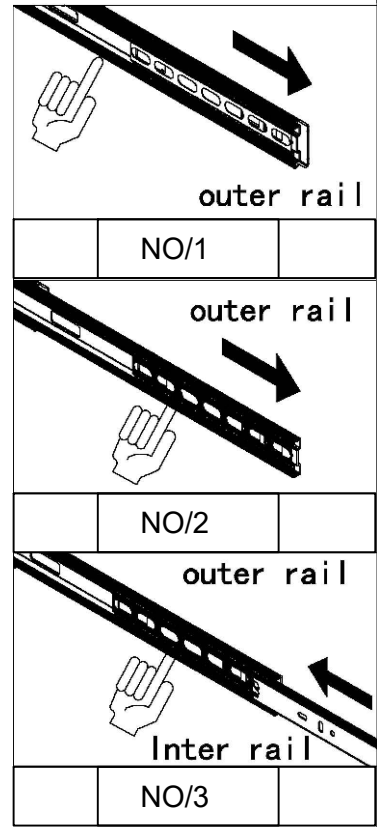
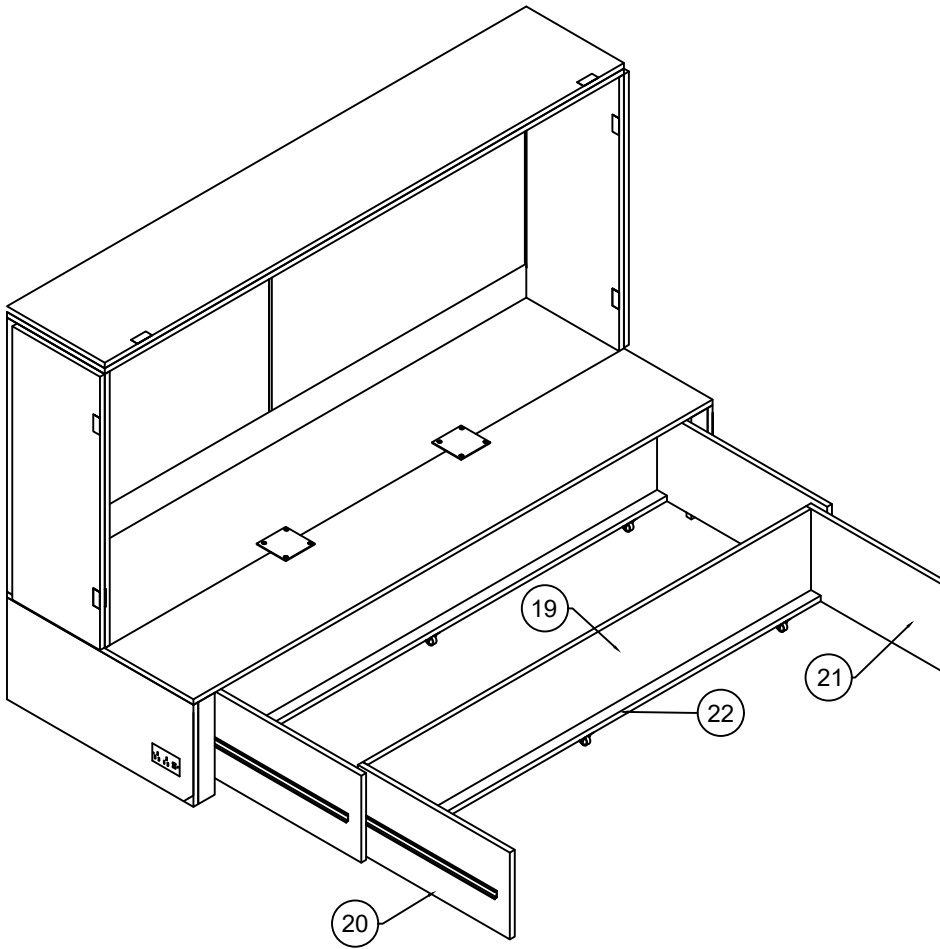
STEP 17

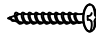
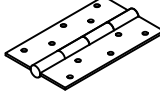
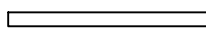


STEP 18

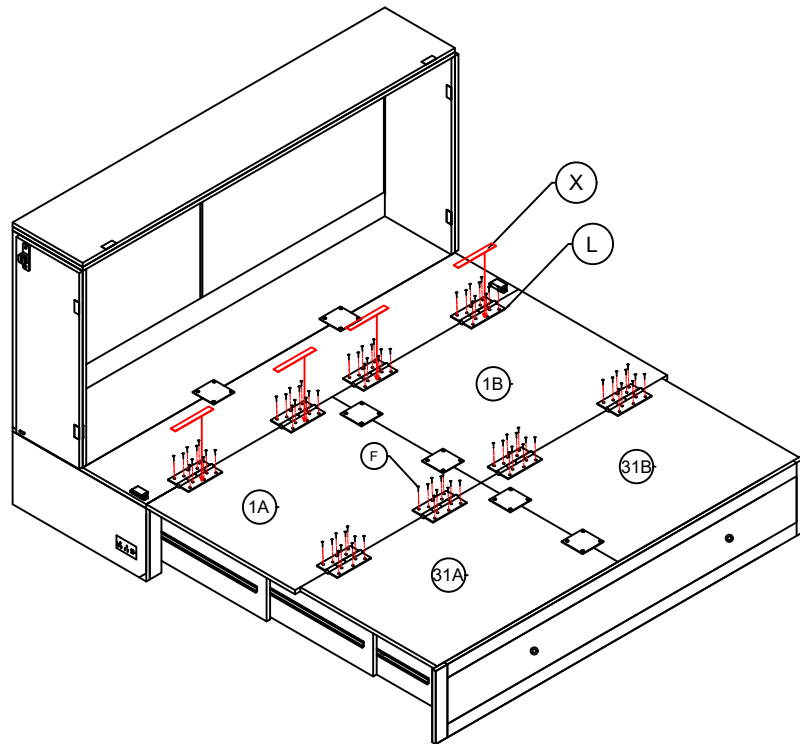


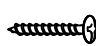
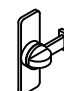
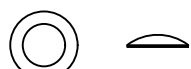
STEP 19



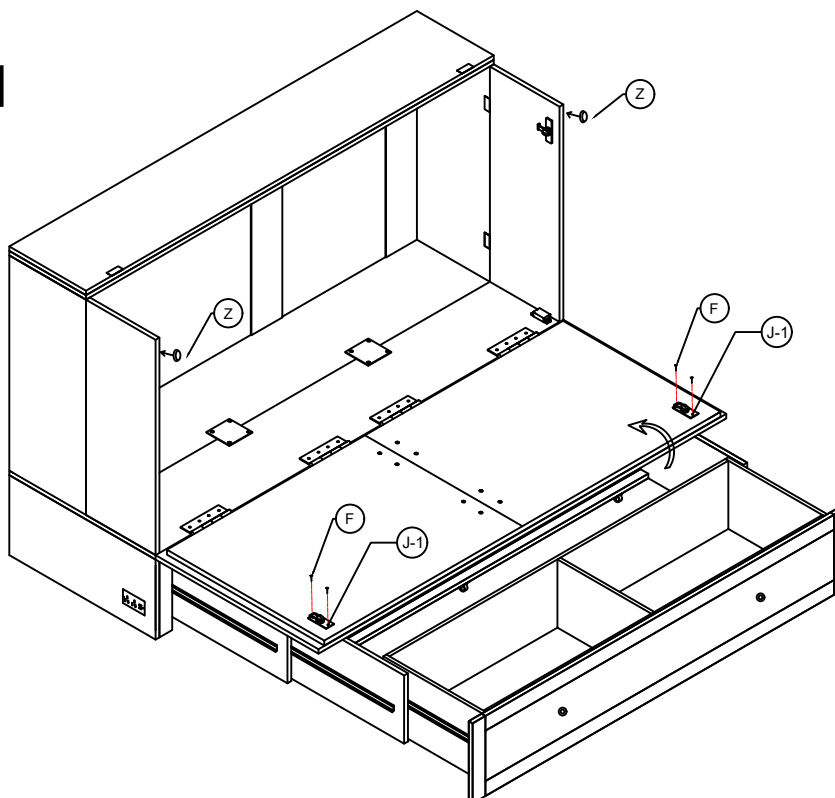
F	 M3.5*14	80 PCS	L		8 PCS
X	 M15*150	4 PCS			

STEP 20

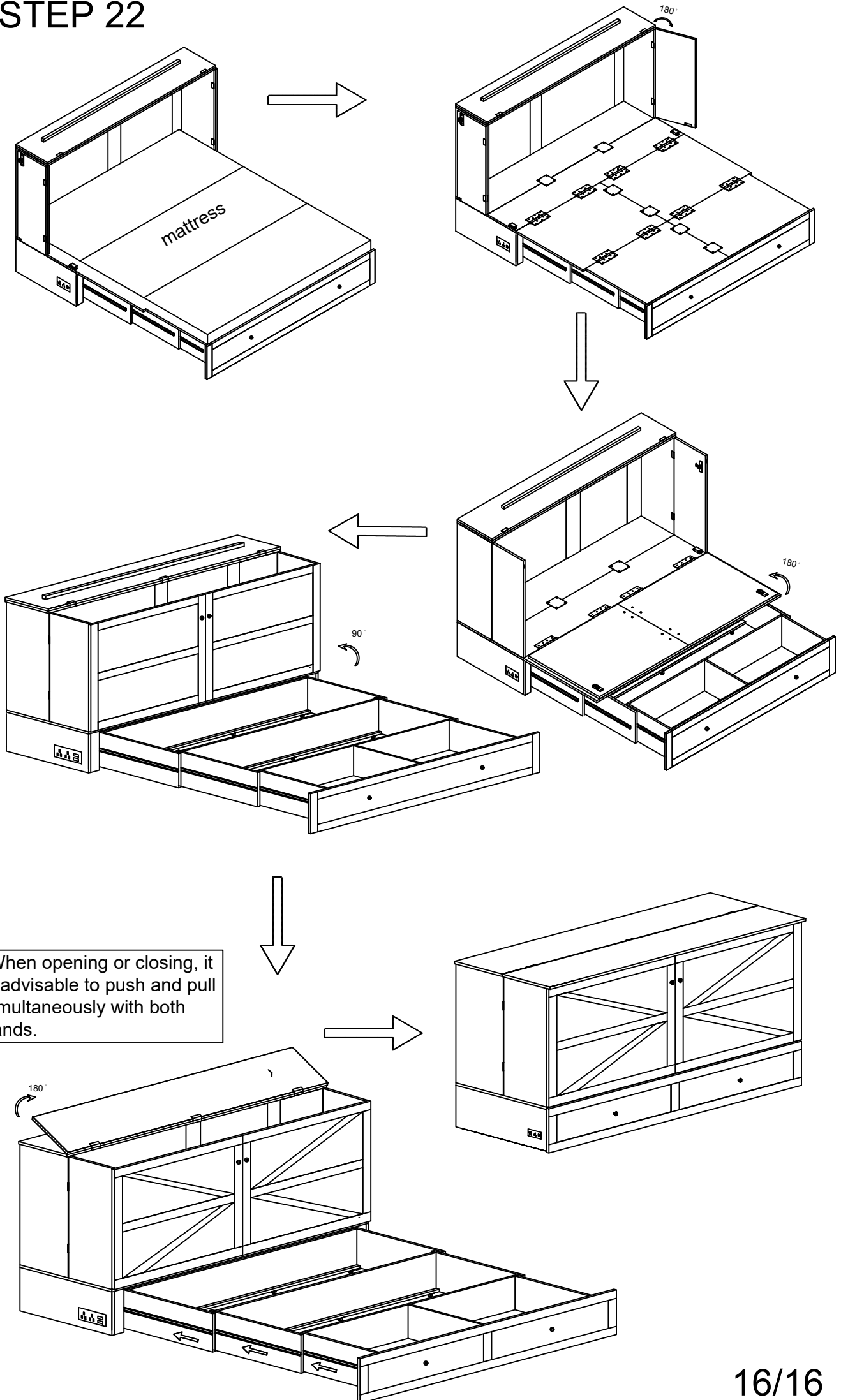


F	 M3.5*14	4 PCS	J	 J-1	2 PCS
Z		2 PCS			

STEP 21



STEP 22



When opening or closing, it is advisable to push and pull simultaneously with both hands.