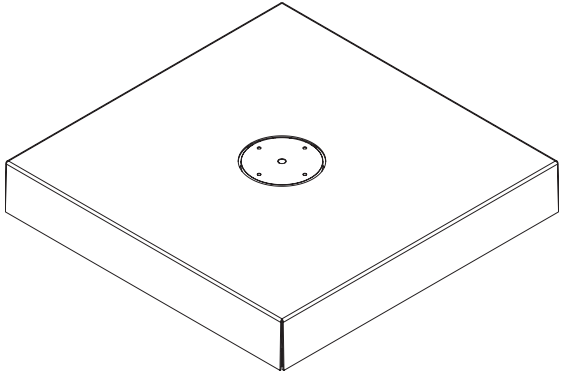


assembly guide

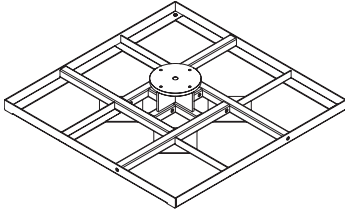


TITAN *base*

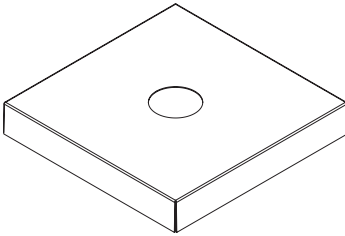
CHECKLIST

- A - (1) Galvanized Steel Base Frame
- B - (1) Aluminum Base Lid
- C - (32) 12" x 12" x 1.5" Paver Weights (*sold separately*)

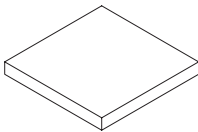
A



B



C



IMPORTANT:

Prior to assembly it is important to decide on the location of the umbrella.

- Allow ample height to avoid damage to your umbrella during assembly and usage.
- Choose a location that is level and sturdy.
- Avoid any sloping or soft ground.
- Consider a location that will maximize the umbrella's 360° rotating function (if applicable).
Placing the umbrella between two entertaining areas is ideal.

CAUTION:

- Moving base fully assembled will increase the risk of damage to your umbrella, base and/or can cause serious injury. We recommend a two-person team for assembly and disassembly.

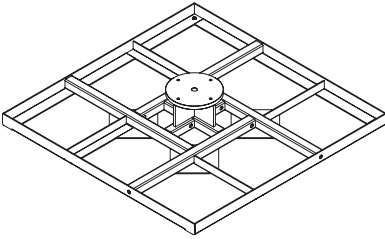
NOTE:

- Using base without paver weights will damage your umbrella and may cause personal injury and property damage (**weights not included**).
- Base holds up to (32) 12" x 12" x 1.5" paver weights. Please follow Base Weight Matrix for minimum base weight to determine number of pavers needed to support.

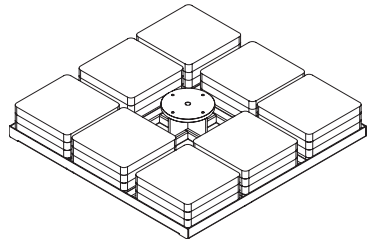
Base Assembly

- Select area to set steel base frame and place in desired location (Fig. 1).
 - Add (32) 12" x 12" x 1.5" paver weights (sold separately) into base frame (Fig. 2).
- NOTE:** If the umbrella's minimum base weight does not require 32 pavers, it is imperative to distribute weight evenly.
- Carefully place base lid onto base frame (Fig. 3).

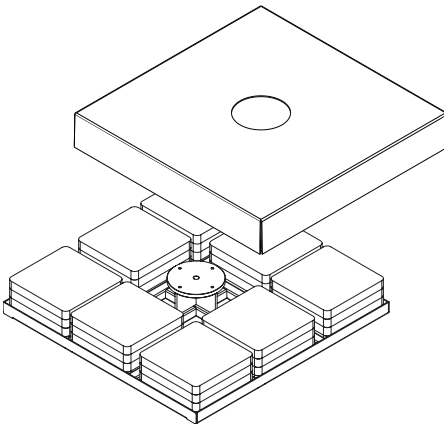
You are now ready to install your umbrella's internal stem or adapter plate onto base. Please refer to your umbrella instruction manual for further instructions.



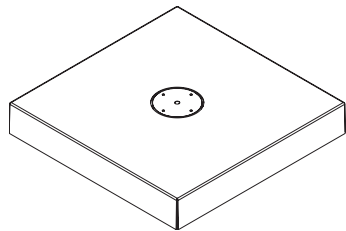
(Fig. 1)



(Fig. 2)



(Fig. 3)



Safety and Precautions

- To reduce risk of personal injury in which a person is injured or harmed, and/or damage to personal property, read and follow the Assembly Guide prior to assembling and operating umbrella and base.
- Close and store the umbrella in windy conditions or when a storm approaches. Never allow the umbrella to flap in the wind; this could cause personal injury, damage to personal property, damage to umbrella and/or umbrella canopy. Do not use tilting function (if applicable) during windy conditions.
- Keep umbrella secured to umbrella base at all times.
- Do not leave open umbrella unattended. If damage occurs, this is not covered by the warranty.
- When adjusting the umbrella, make sure that no person(s), item(s) or personal property are close to the umbrella. This is important to prevent injury or material damage.
- Do not allow children to play on or with umbrella or umbrella base.
- When adjusting or assembling the umbrella or umbrella base, make sure fingers, toes or any other parts of the body are clear from moving parts. Failing to do so may result in serious injury.

For warranty information, please visit www.shademakerusa.com.

shademaker

13401 Brooks Drive
Baldwin Park, CA 91706
p 626.338.8810
f 626.338.8816
info@shademakerusa.com

shademakerusa.com