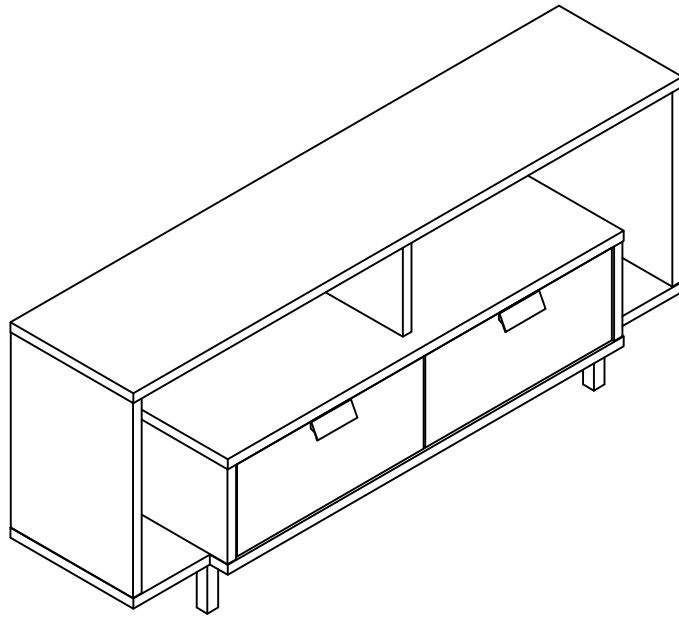


ASSEMBLY INSTRUCTION



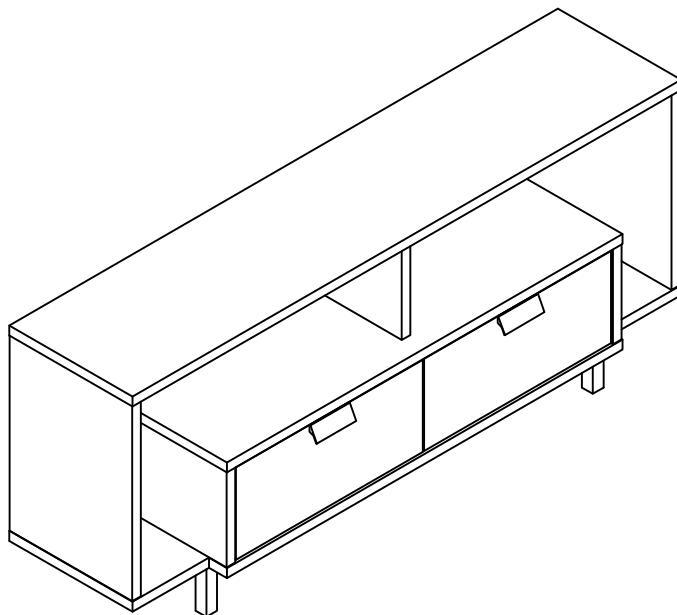
ASSEMBLY INSTRUCTION

PLEASE READ BEFORE ASSEMBLING!

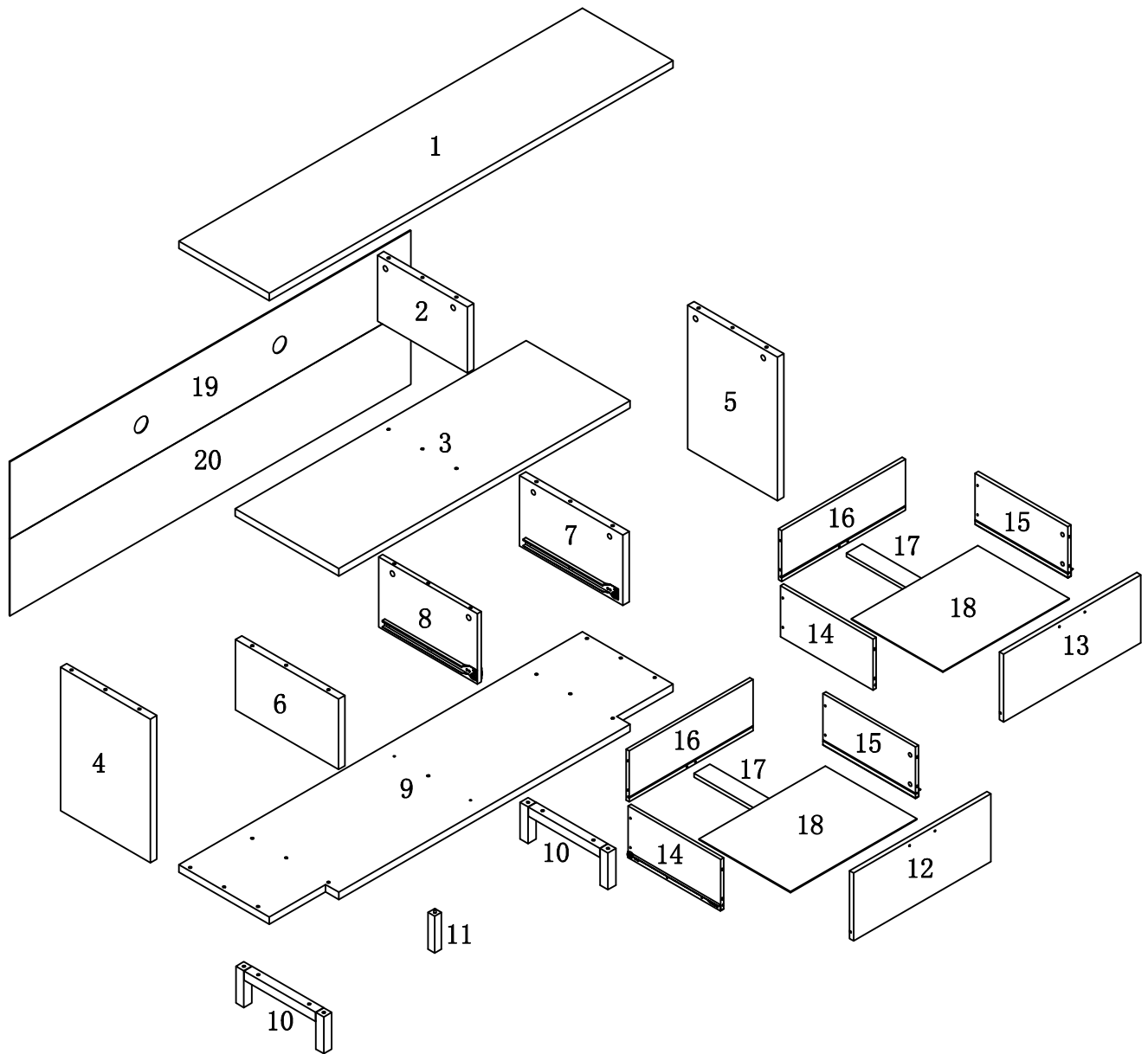
Tip #1: Make sure you've taken all the pieces and hardware out of its packaging before discarding the box.

Tip #2: Using page 2 and/or page 3 of instruction manual make sure all pieces and hardware are accounted for.

Tip #3: Read manual before assembling, it helps!




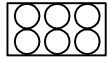





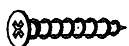
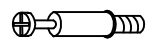

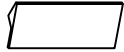



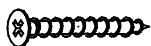
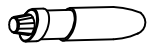


PARTS IDENTIFICATION

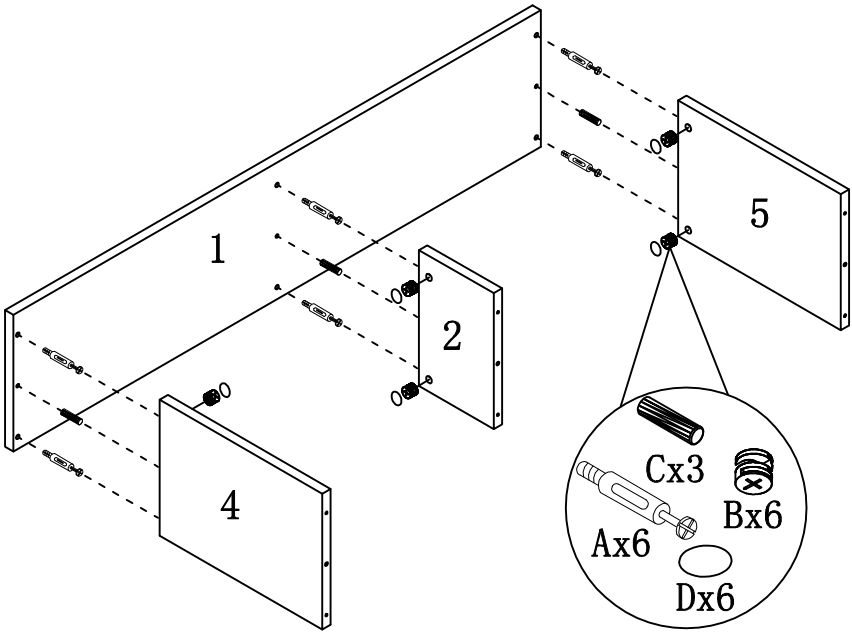


(1)	1pc	(8)	1pc	(15)	2pcs
(2)	1pc	(9)	1pc	(16)	2pcs
(3)	1pc	(10)	2pcs	(17)	2pcs
(4)	1pc	(11)	1pc	(18)	2pcs
(5)	1pc	(12)	1pc	(19)	1pc
(6)	1pc	(13)	1pc	(20)	1pc
(7)	1pc	(14)	2pcs		

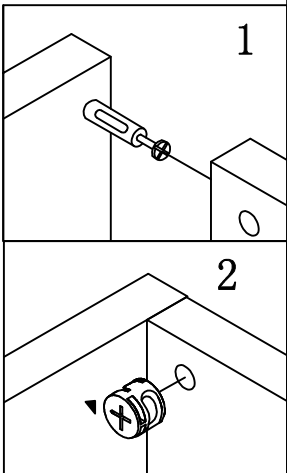
HARDWARE IDENTIFICATION

A		L29	12pcs
B		Ø15	12pcs
C		Ø8x25	16pcs
D		Ø22	6pcs
E		Ø7x48	10pcs
F		Ø8xØ16x2	14pcs
G		Ø16	4pcs
H		M6x40	4pcs
I			48pcs
J		Ø4x30	12pcs
K		L20	8pcs
L		Ø12	8pcs
M		96#	2pcs
N		Ø4x20	4pcs
O		M4	1pc
P		Ø6x30	4pcs
Q		Ø4x40	2pcs
R		Glue: For securing please apply to wood dowel first before inserting into panel	1pc

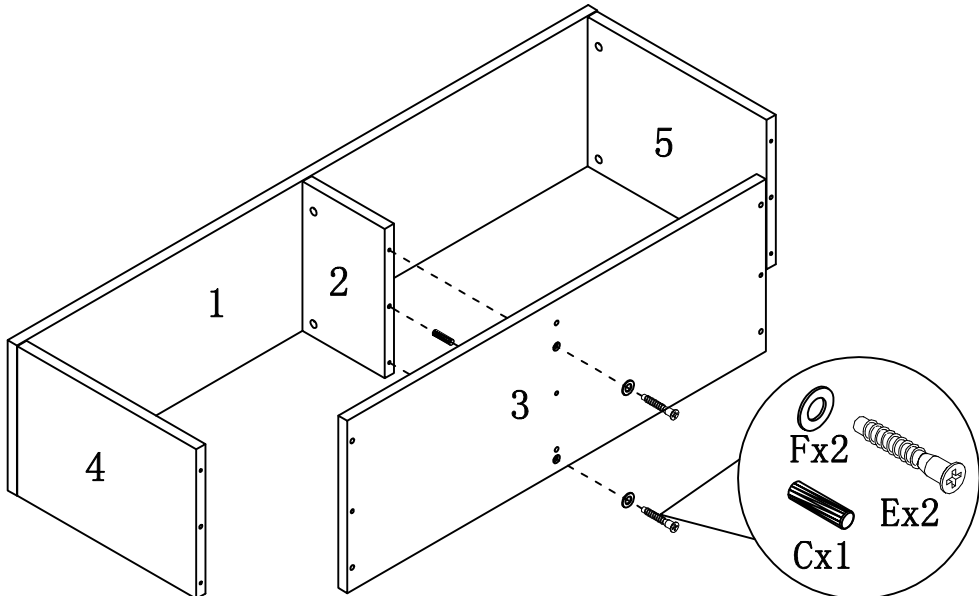
ASSEMBLY INSTRUCTION



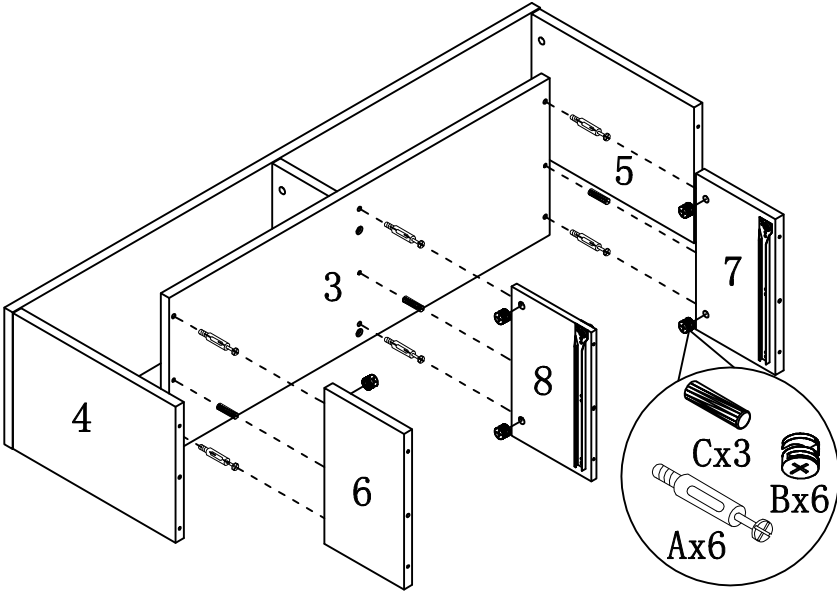
STEP 1



STEP 2

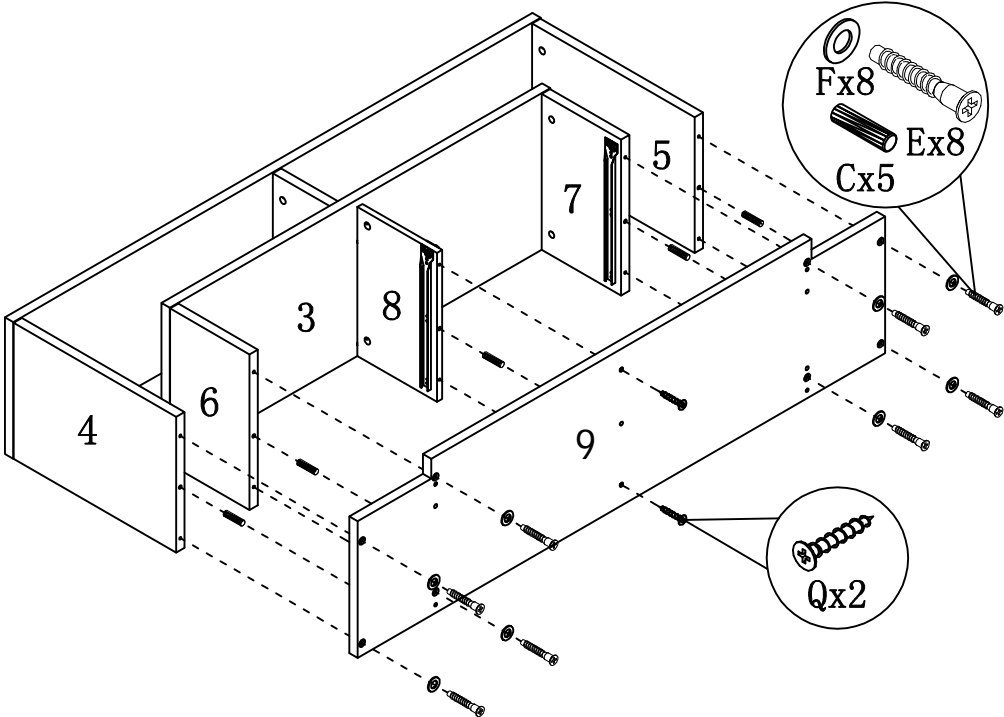


ASSEMBLY INSTRUCTION

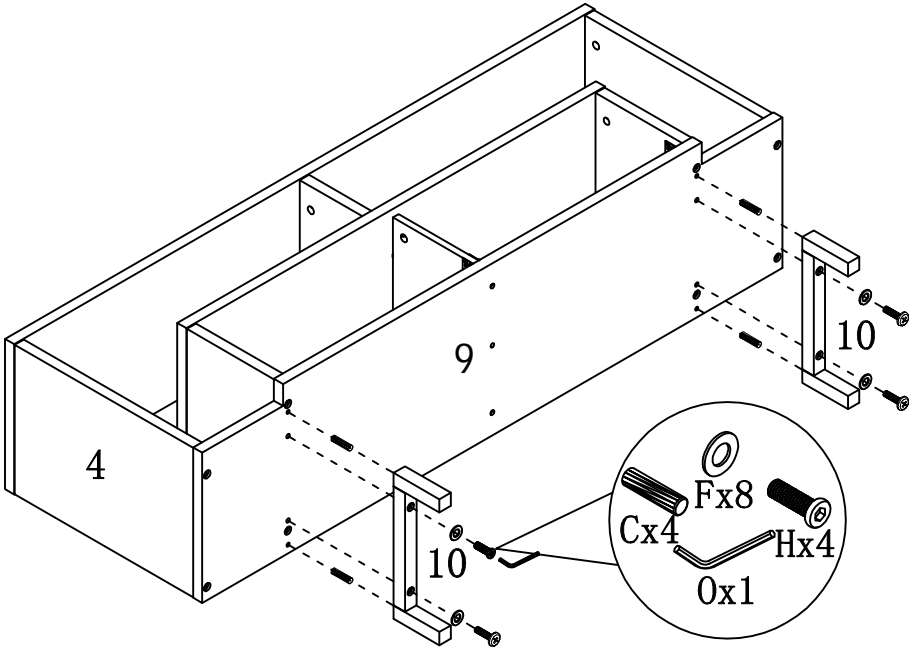


STEP3

STEP4

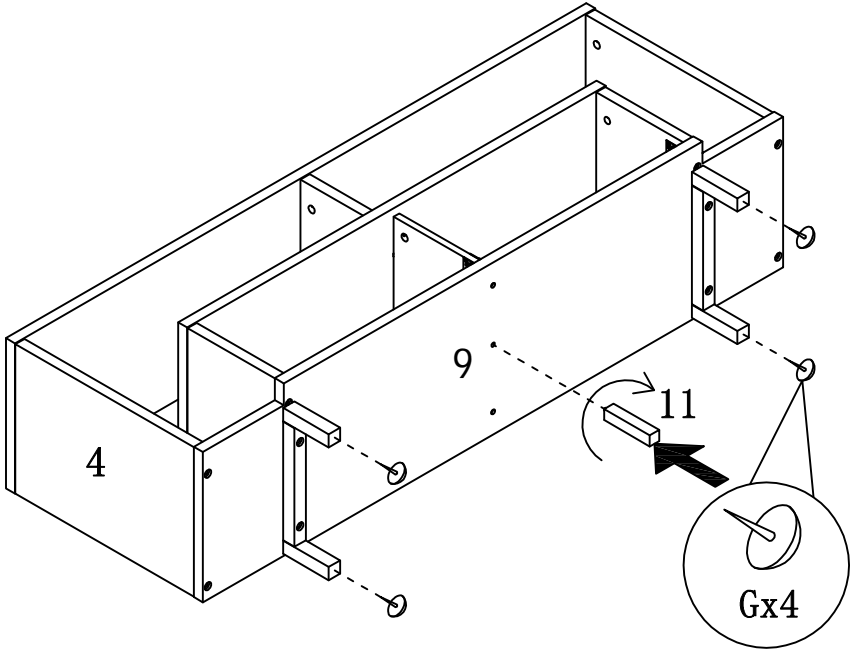


ASSEMBLY INSTRUCTION

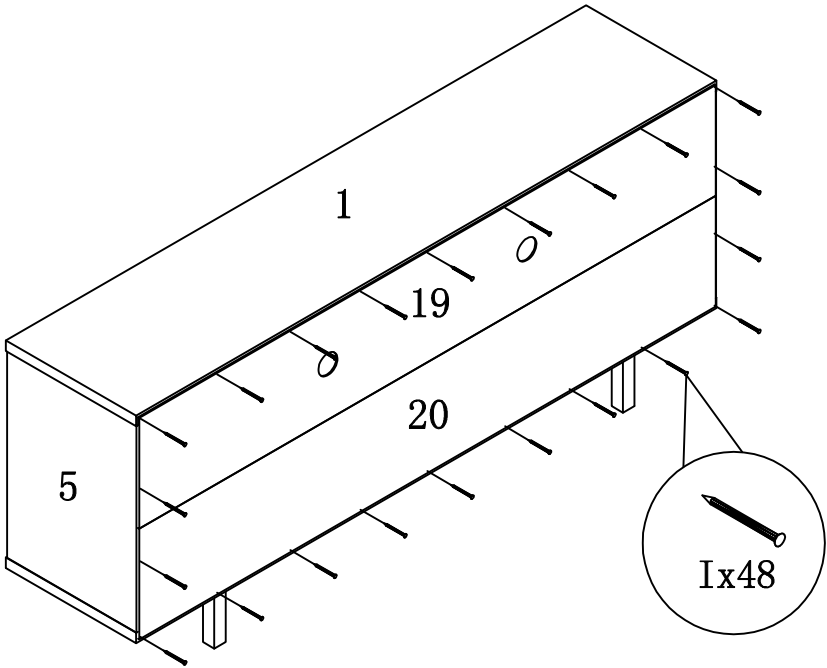


STEP5

STEP6

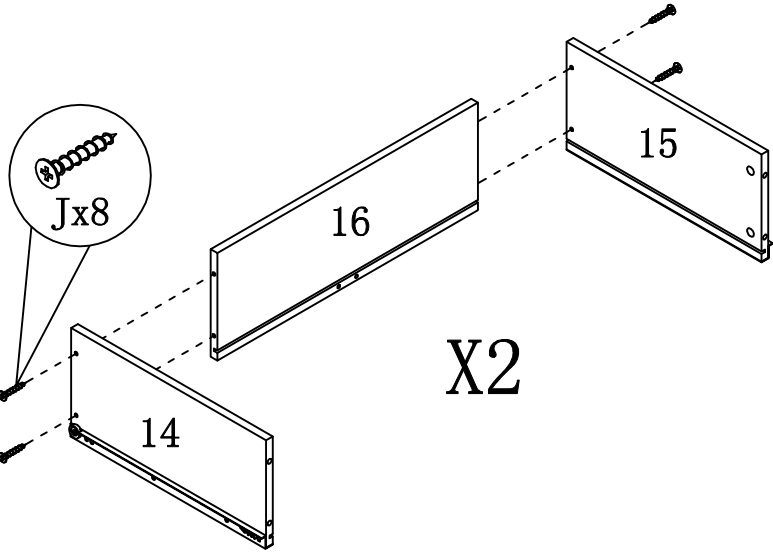


ASSEMBLY INSTRUCTION

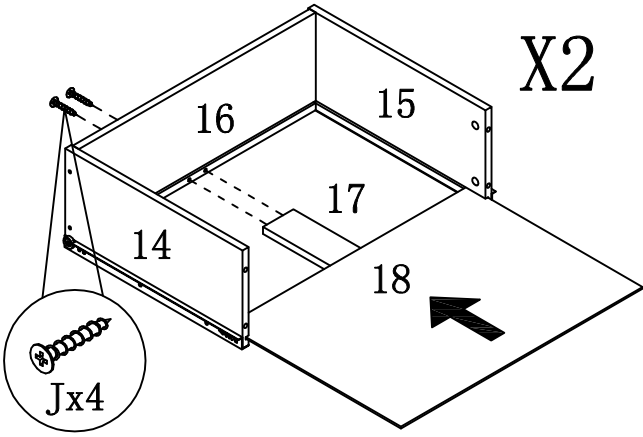


STEP 7

STEP 8

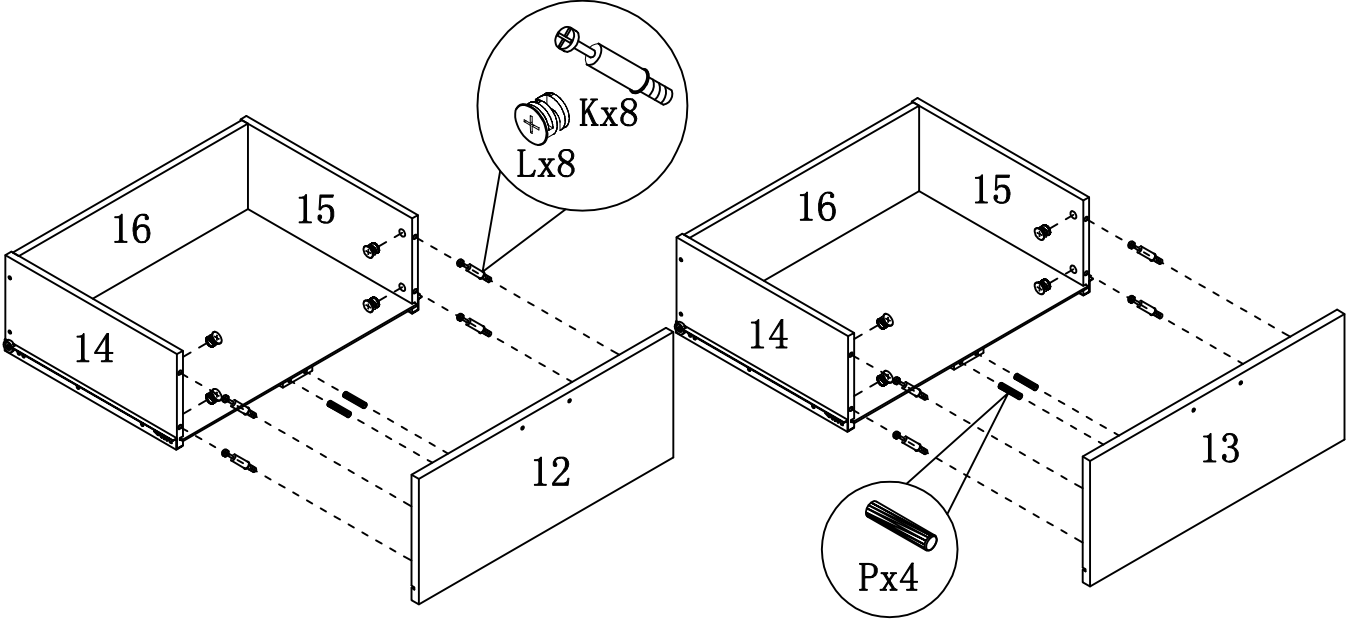


ASSEMBLY INSTRUCTION

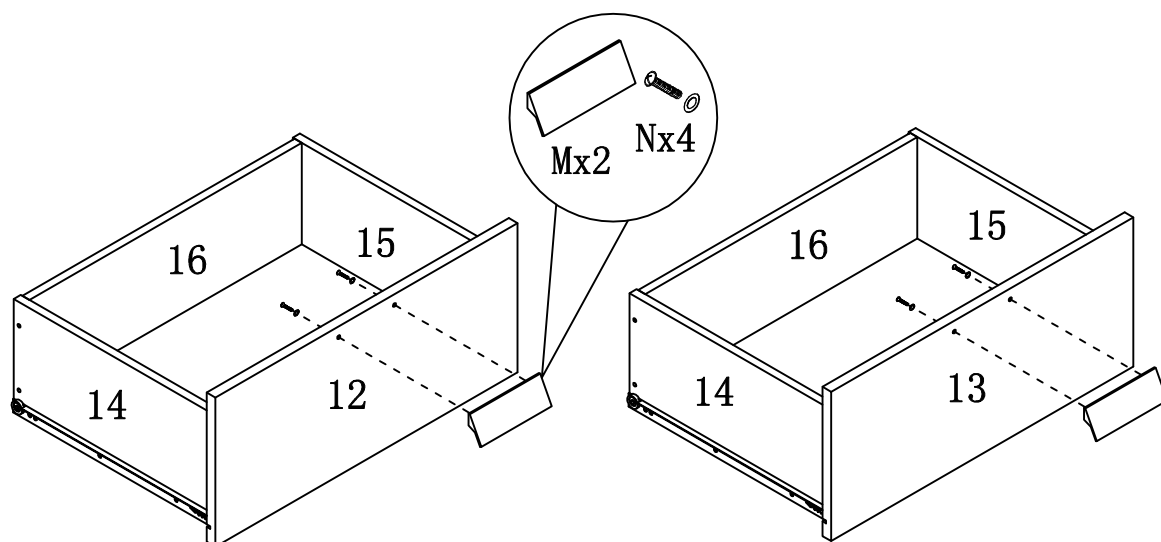


STEP9

STEP10



ASSEMBLY INSTRUCTION



STEP11

STEP12

